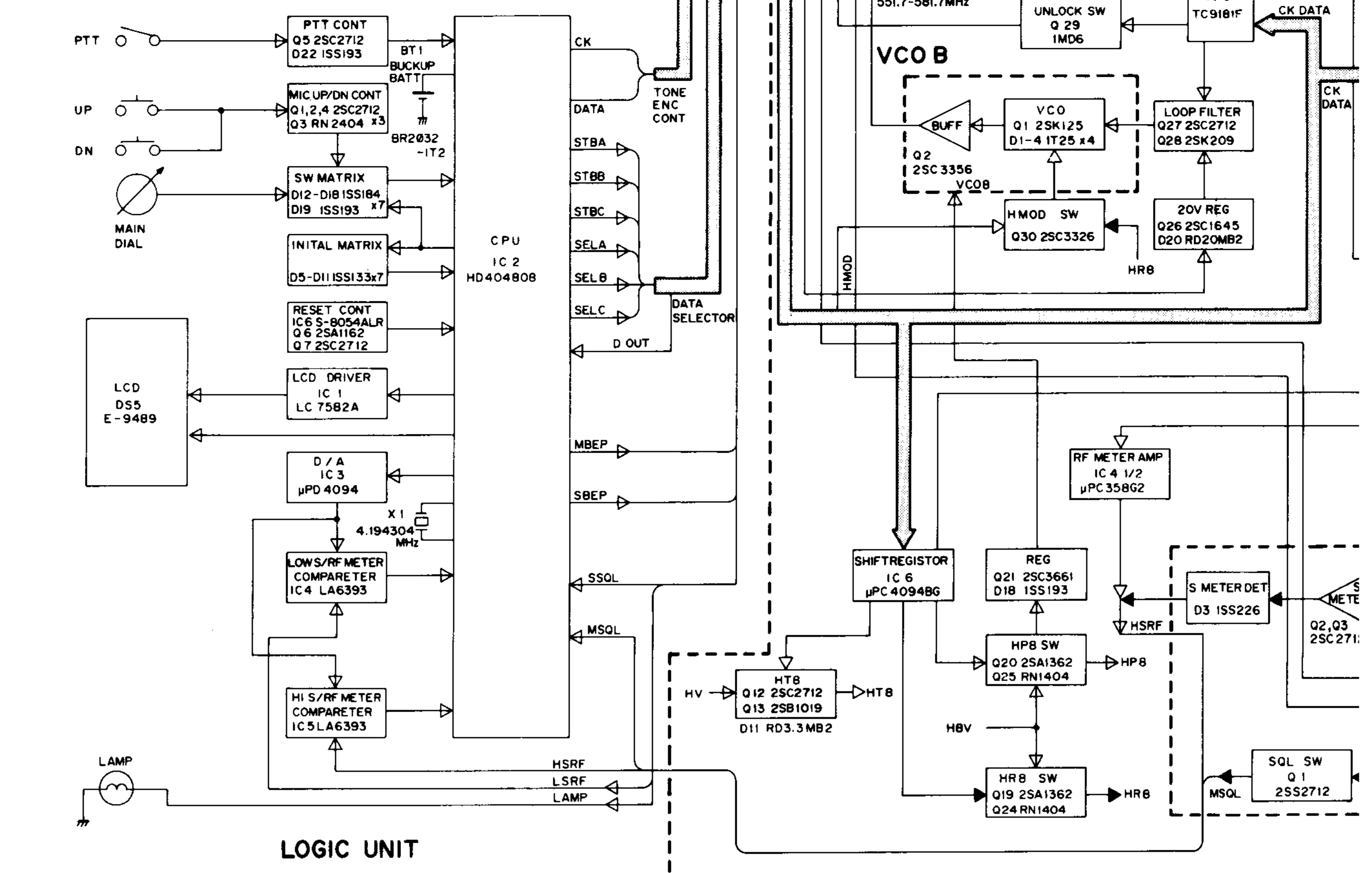
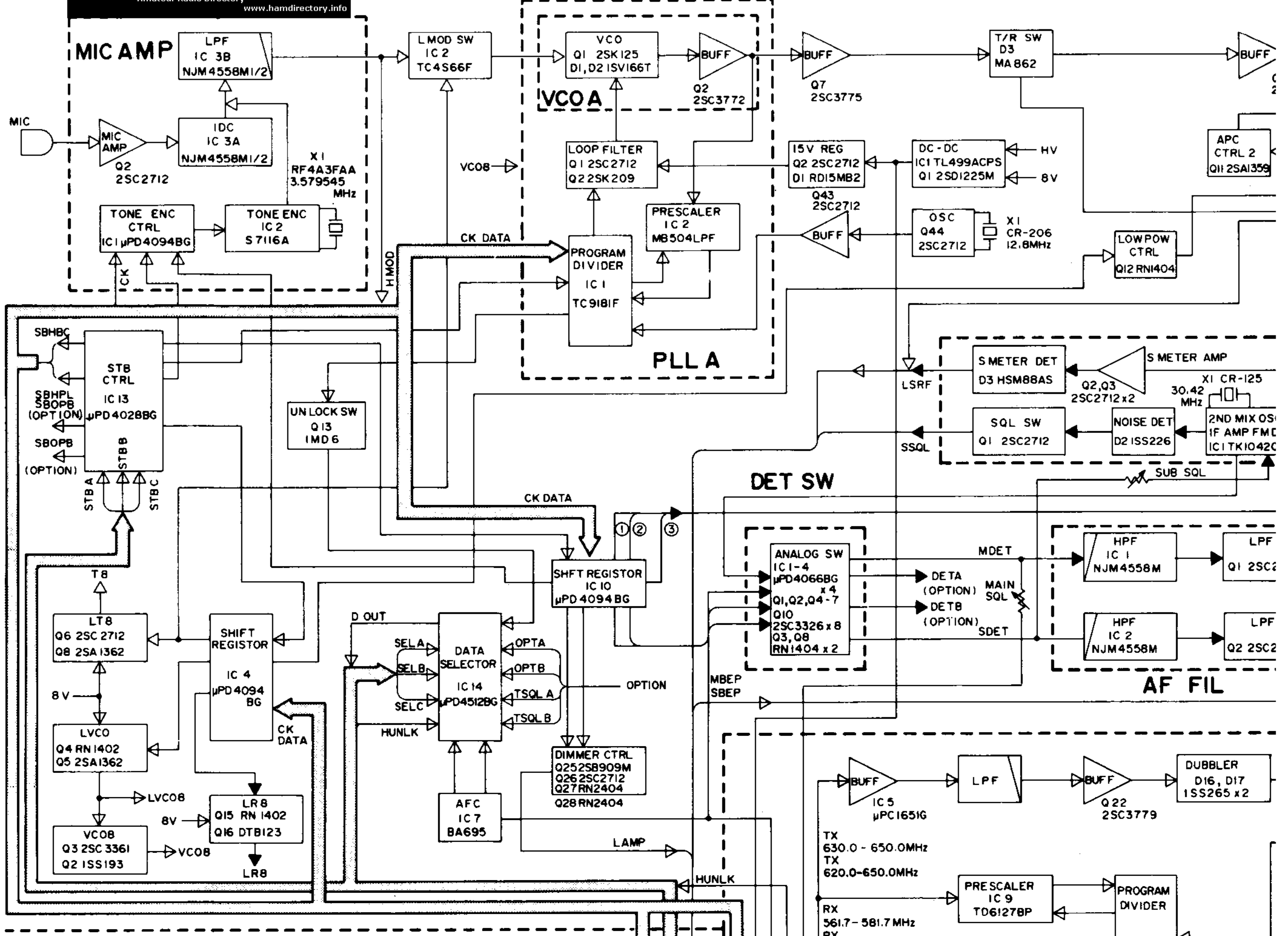
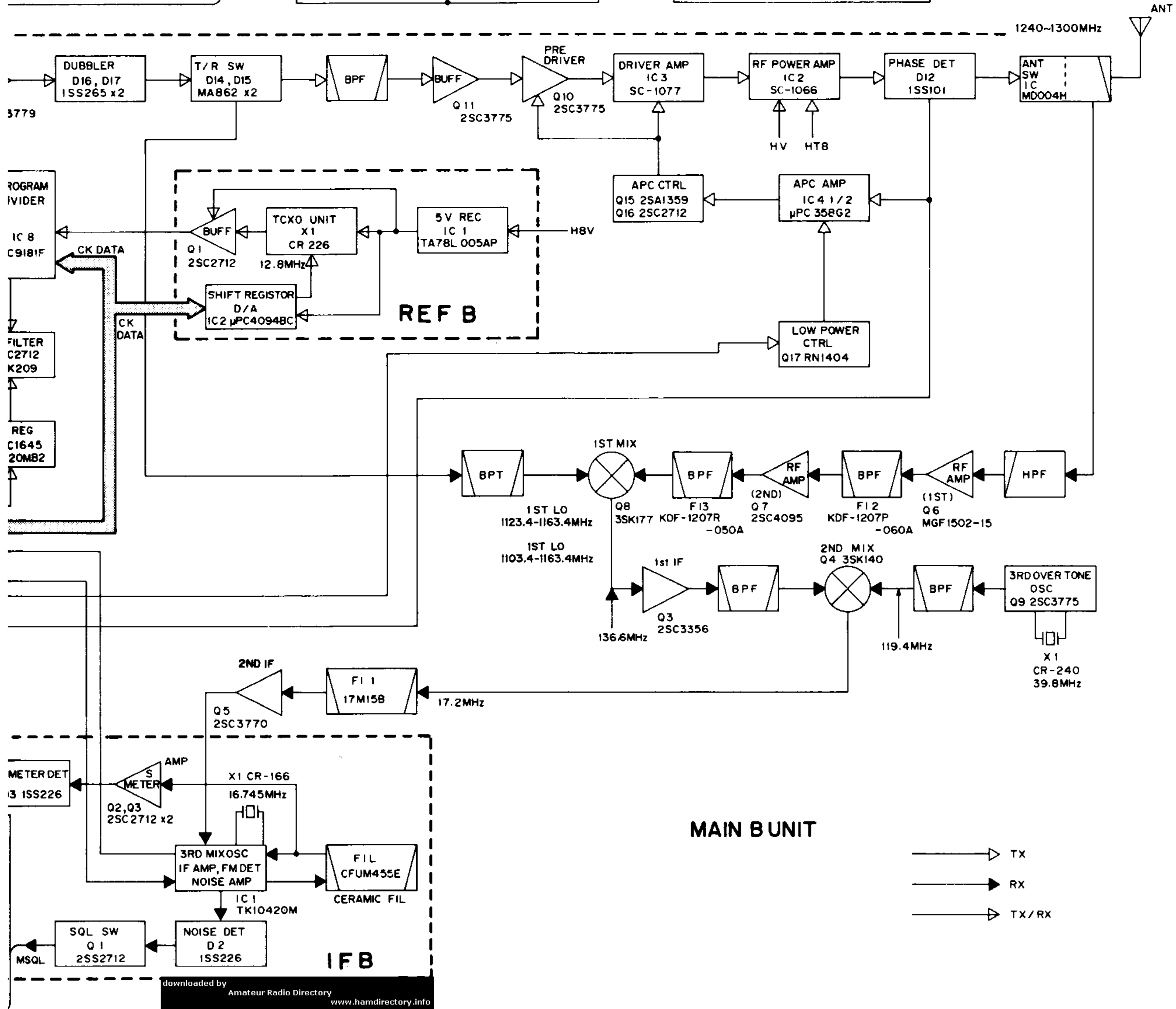
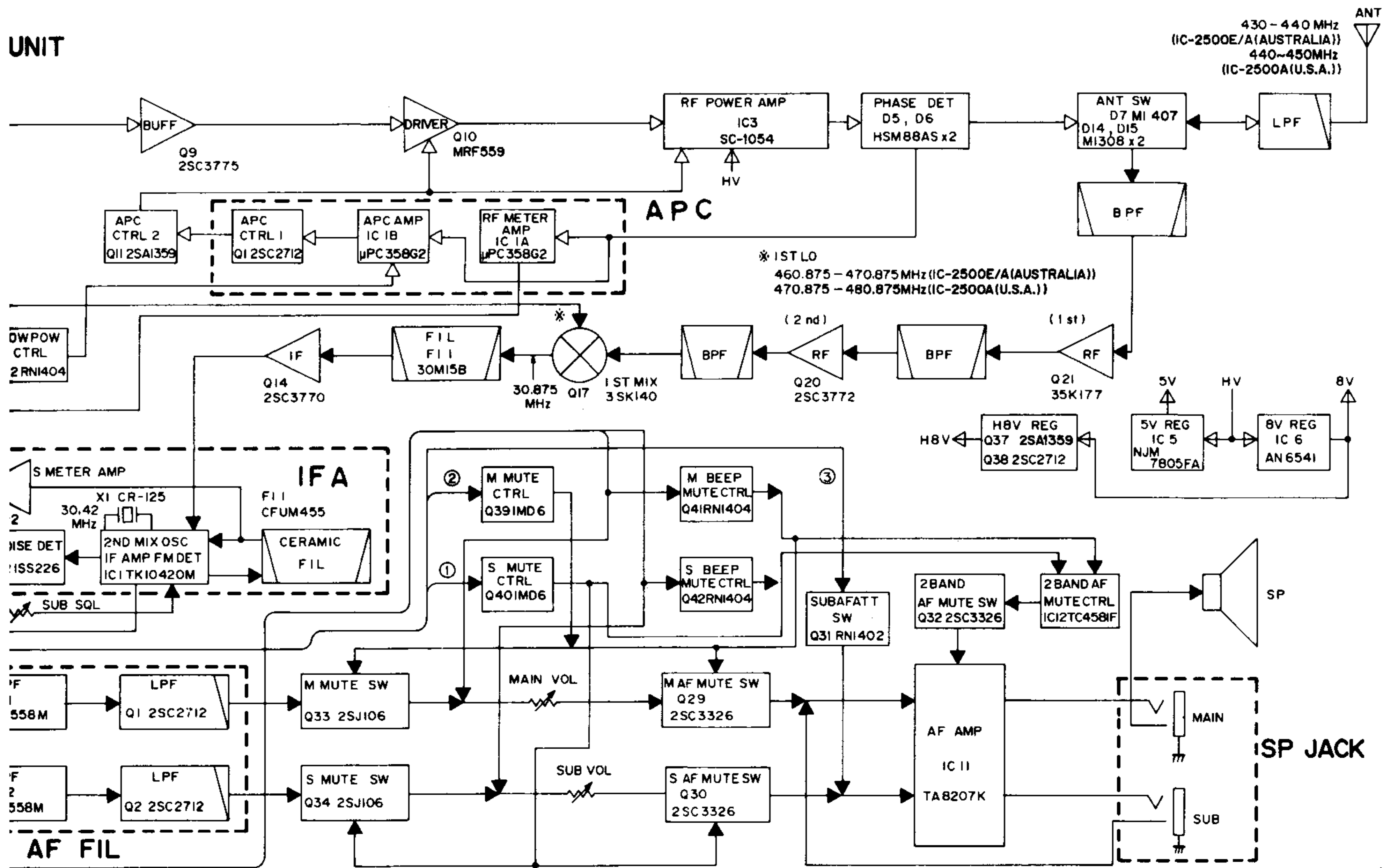


MAIN A UNIT

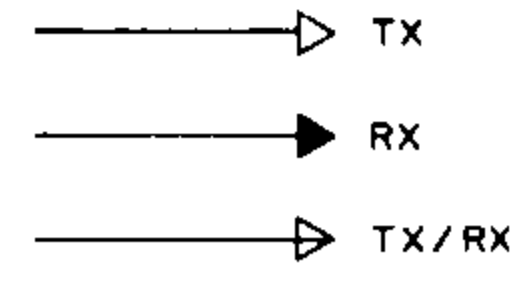


LOGIC UNIT

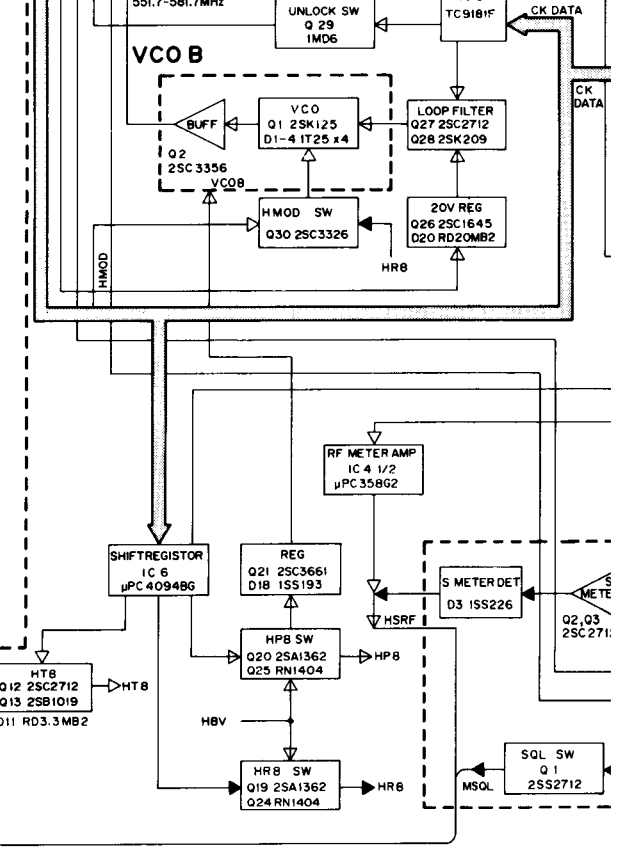
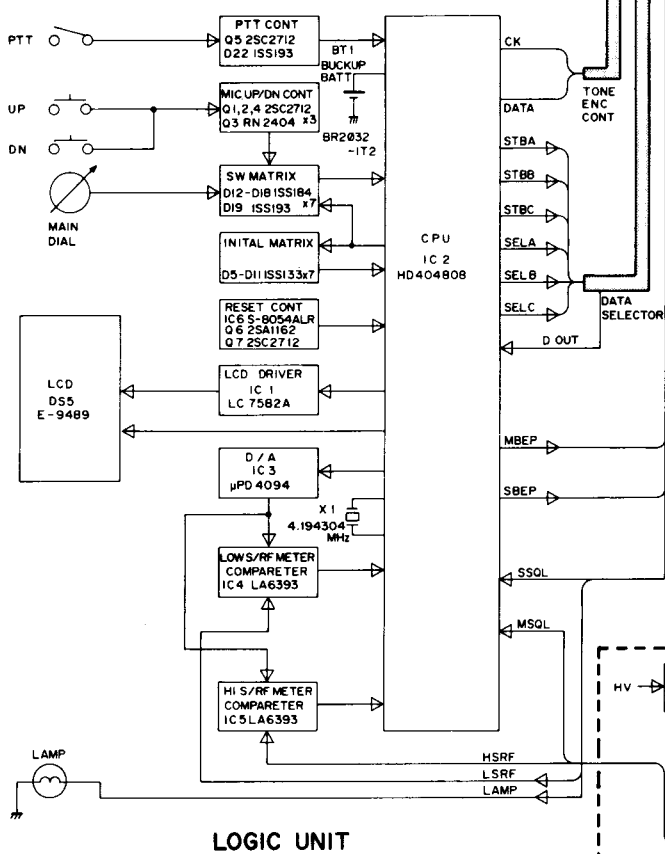
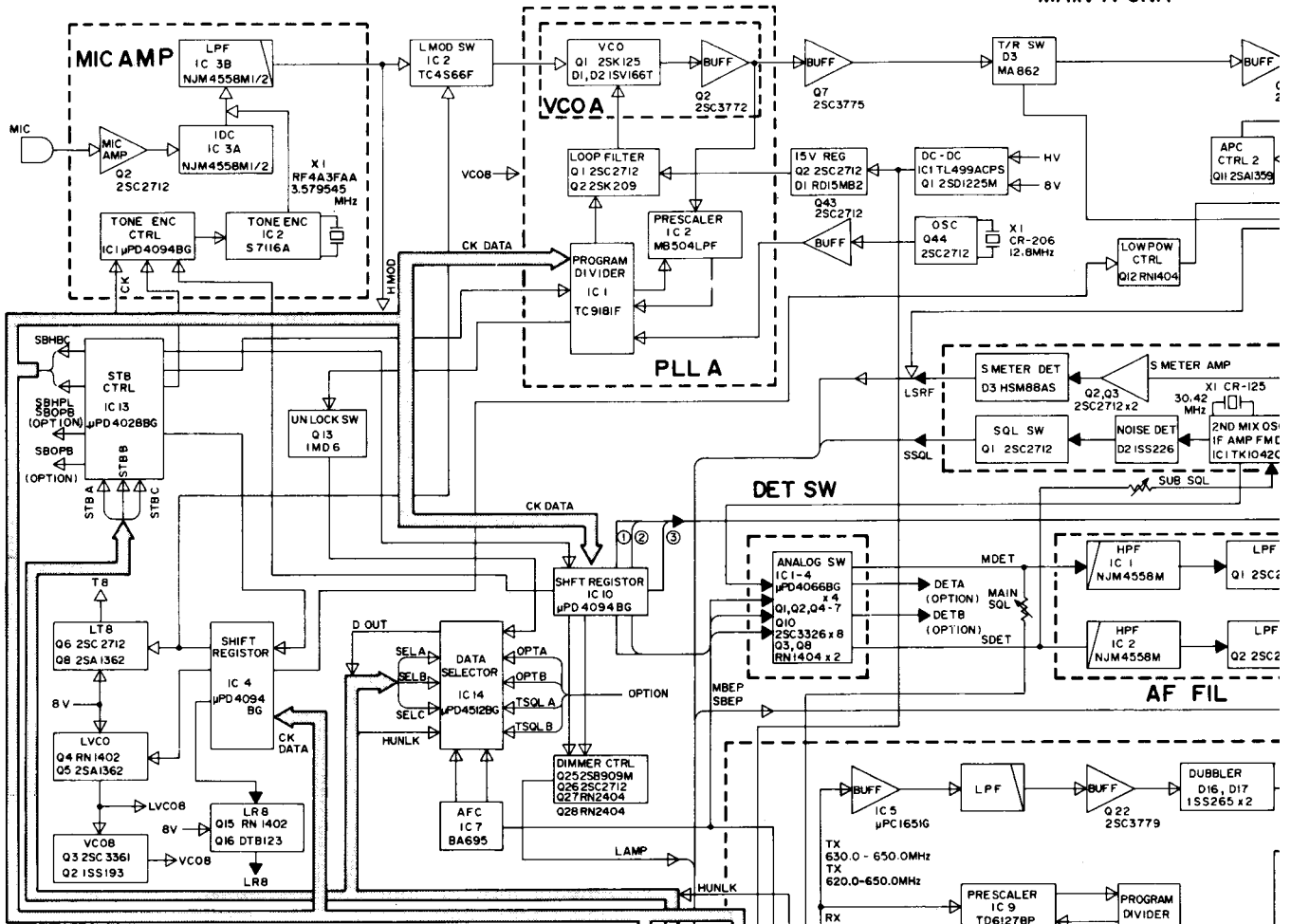
UNIT



MAIN B UNIT



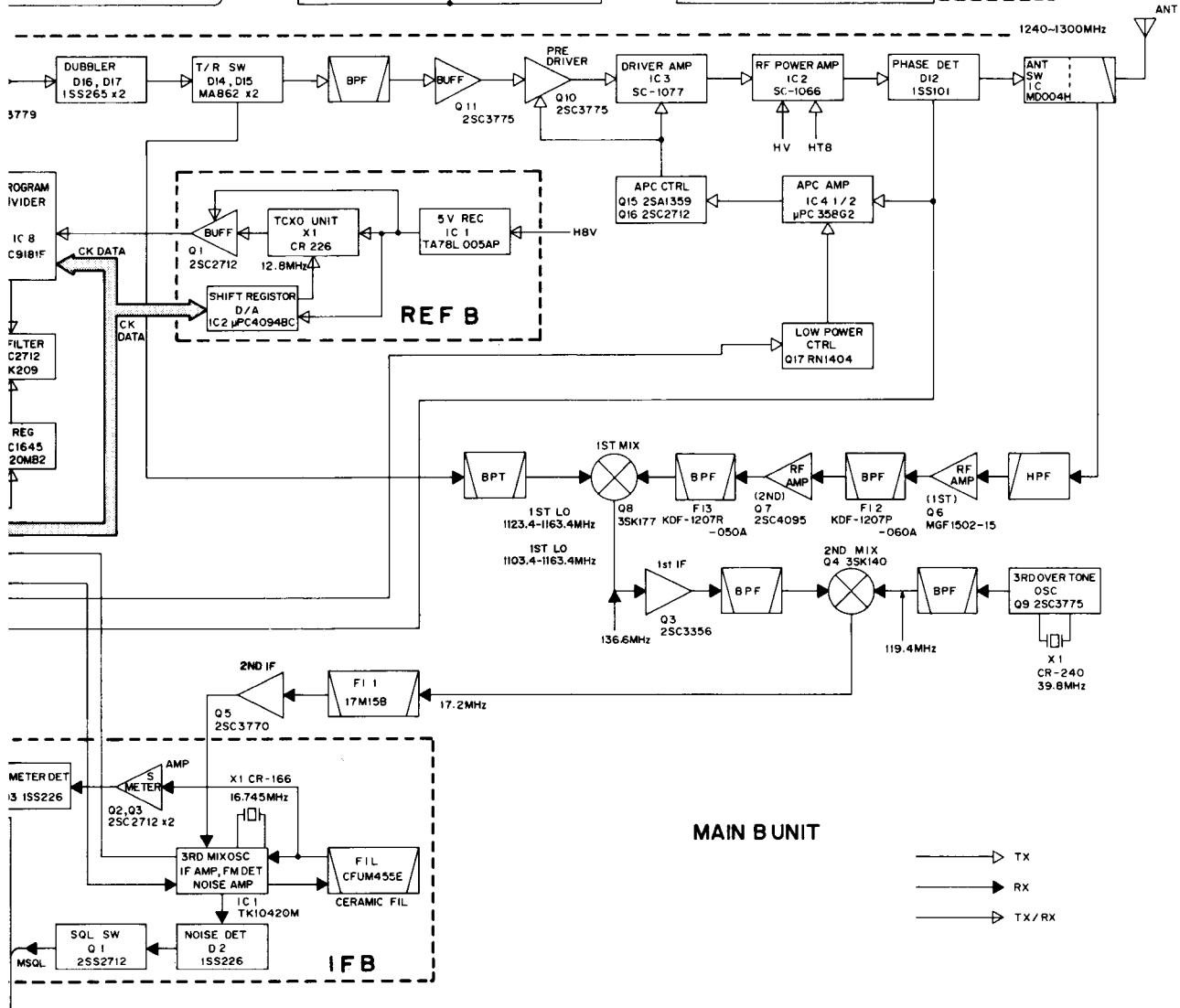
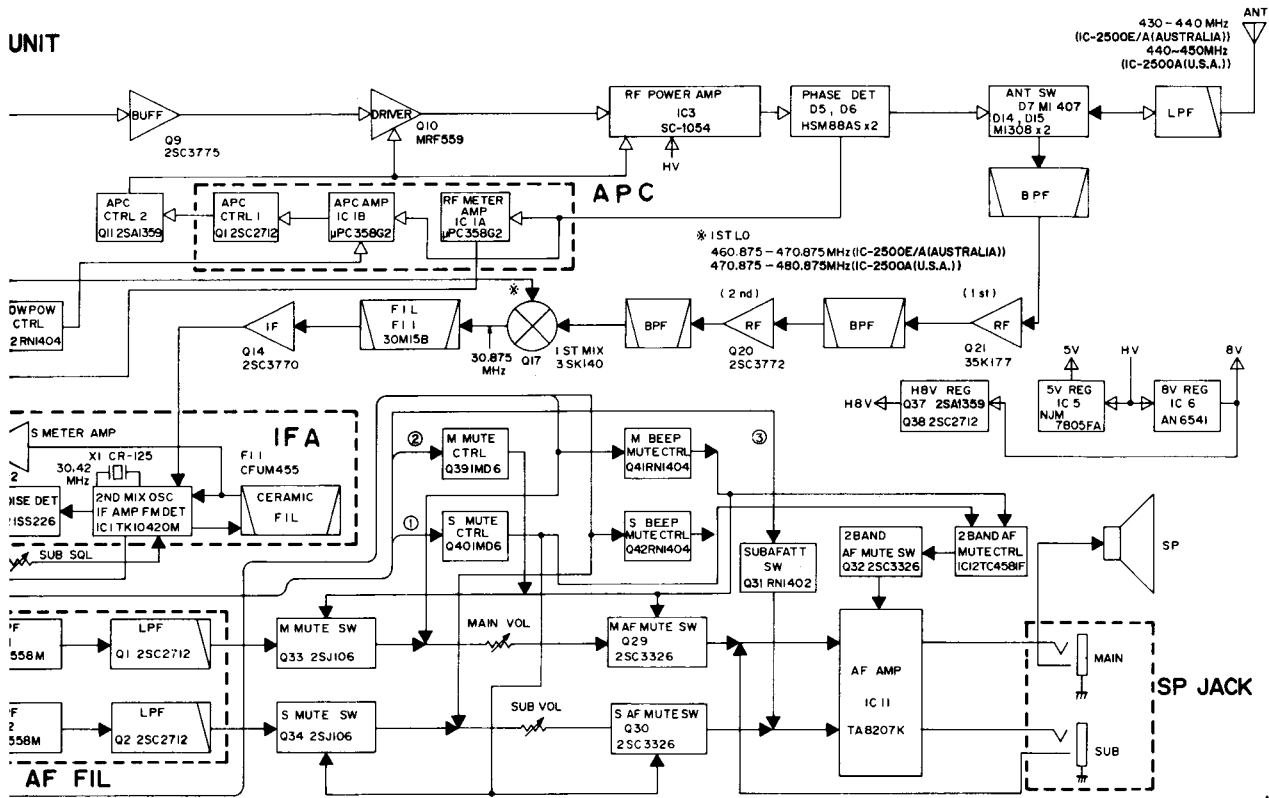
MAIN A UNIT



Scanned by IW1AXR

Downloaded by Amateur Radio Directory

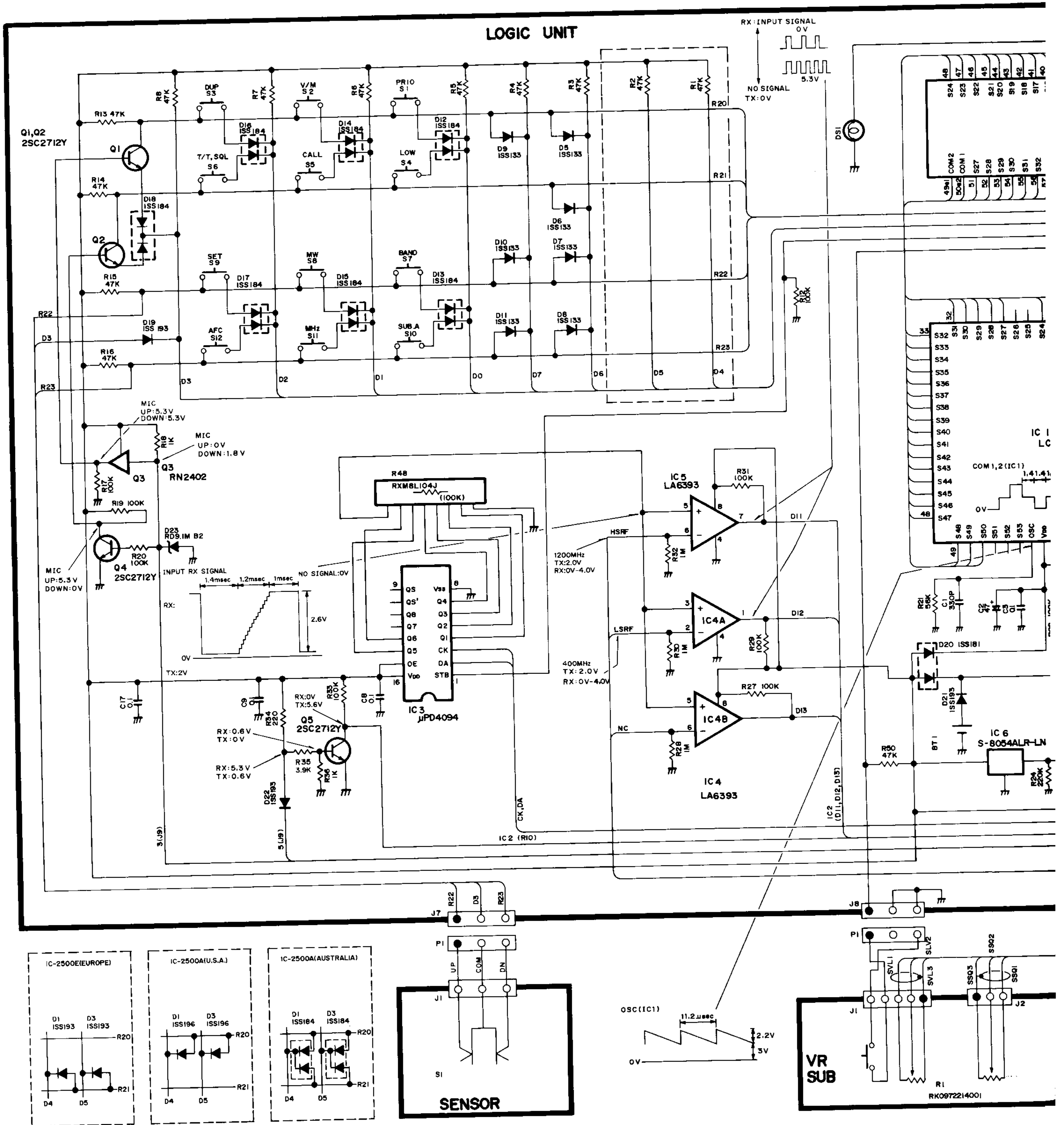
UNIT



11-2 IC-2500 A/E

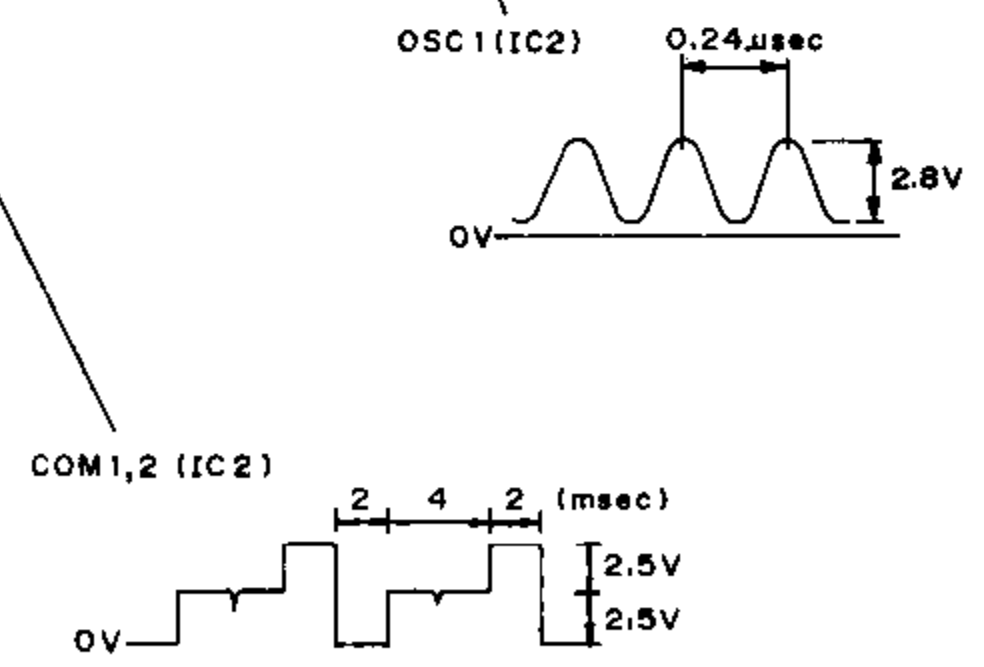
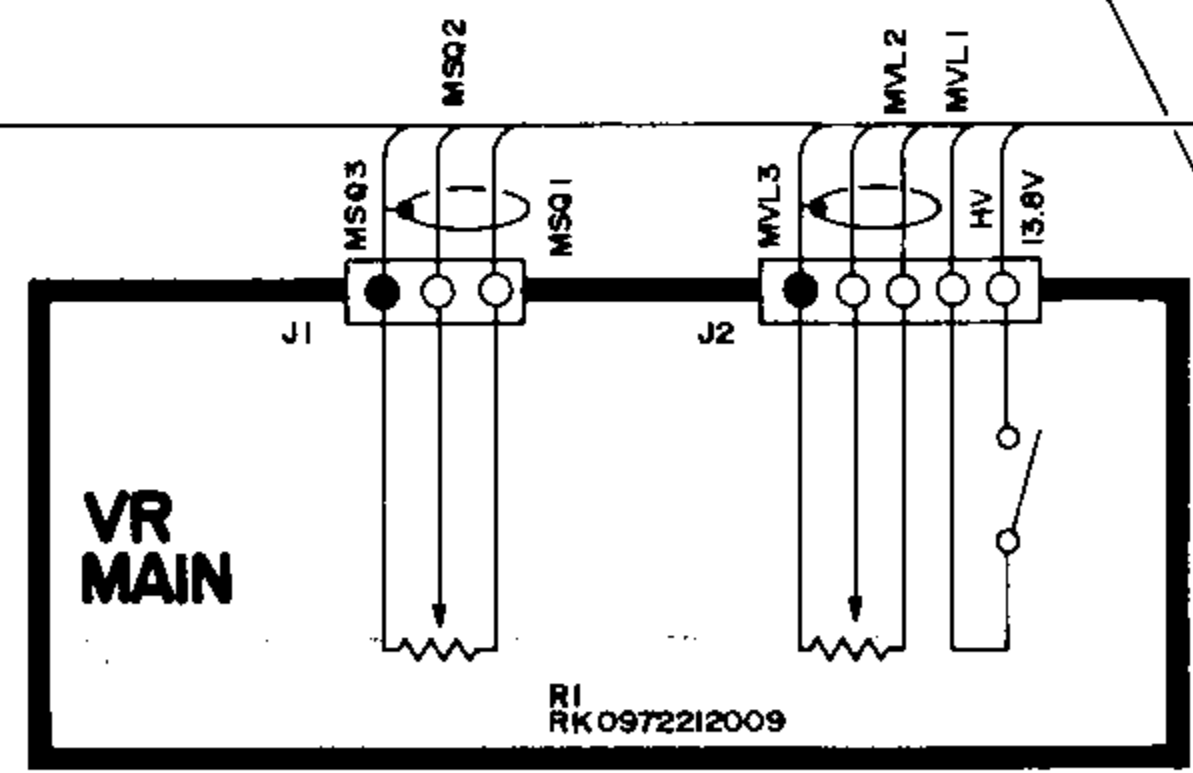
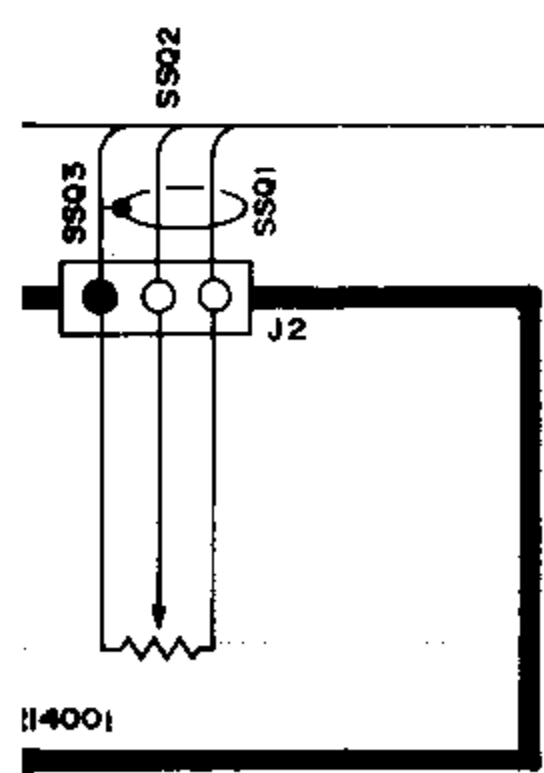
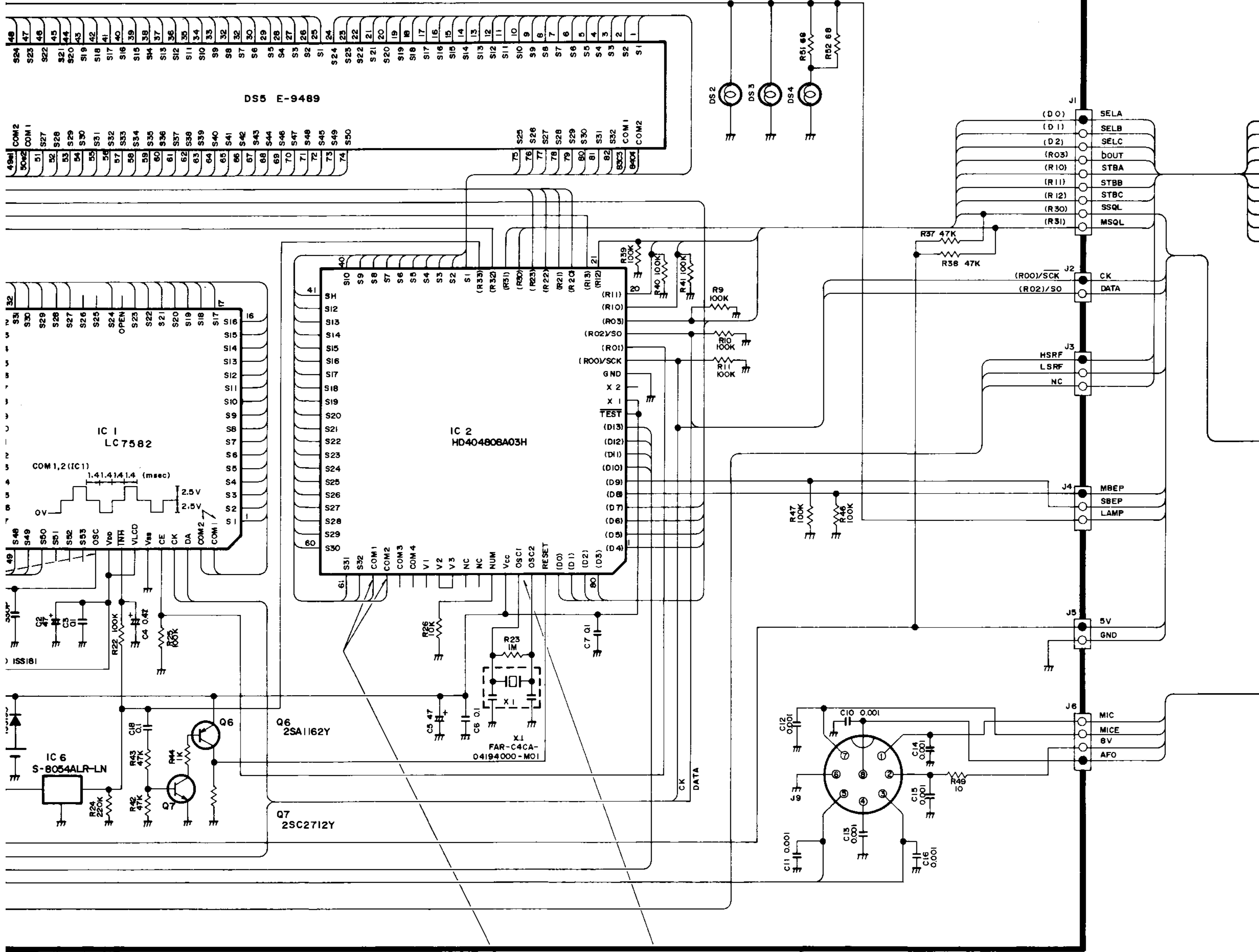
Scanned by IW1AXR

Downloaded by
Amateur Radio Directory



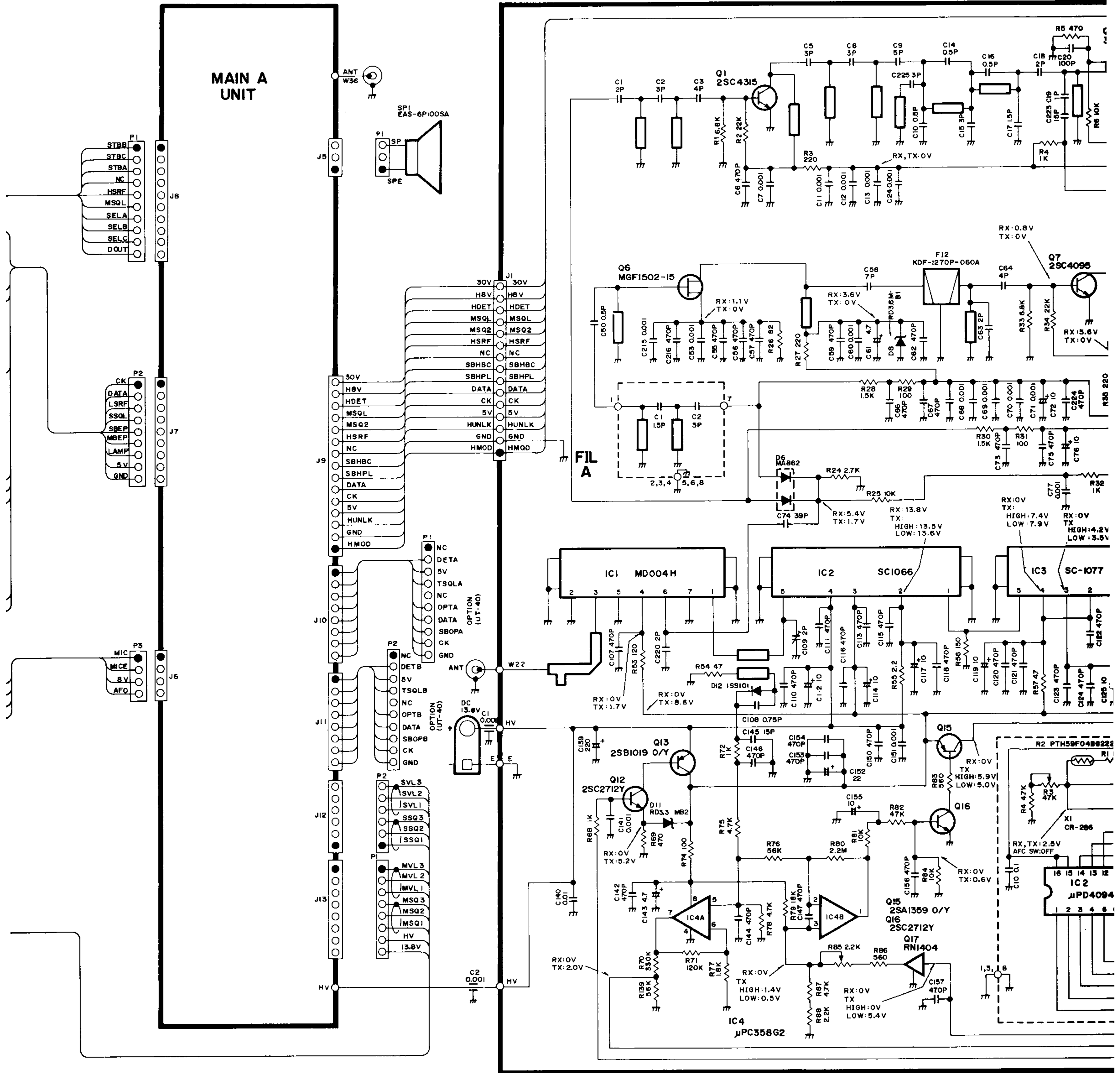
DS1 - DS4 HRS-7219A-Y2 30

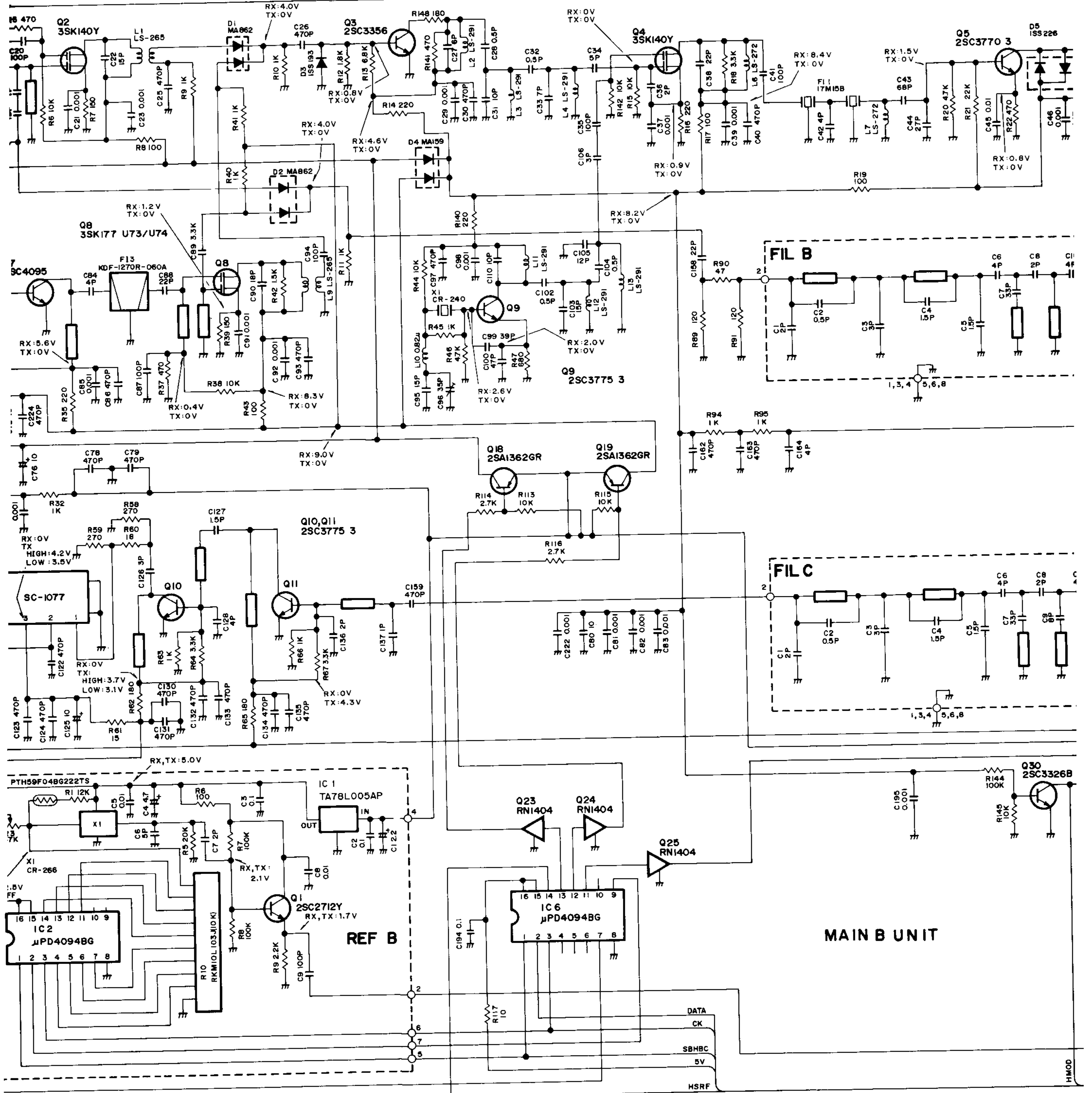
DS5 F-9489



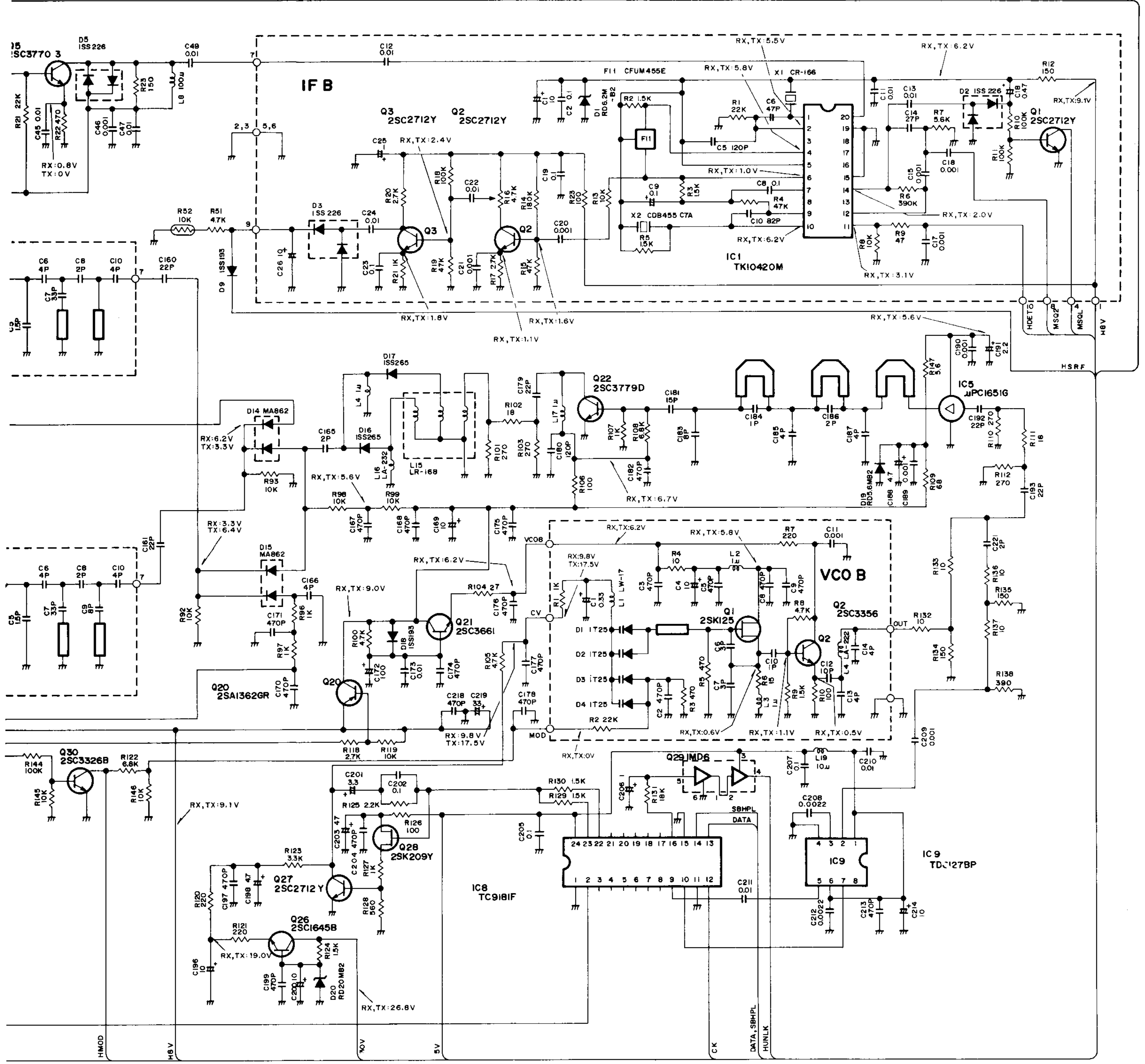
Scanned by IW1AXR
 Downloaded by
 Amateur Radio Directory

MAIN A UNIT

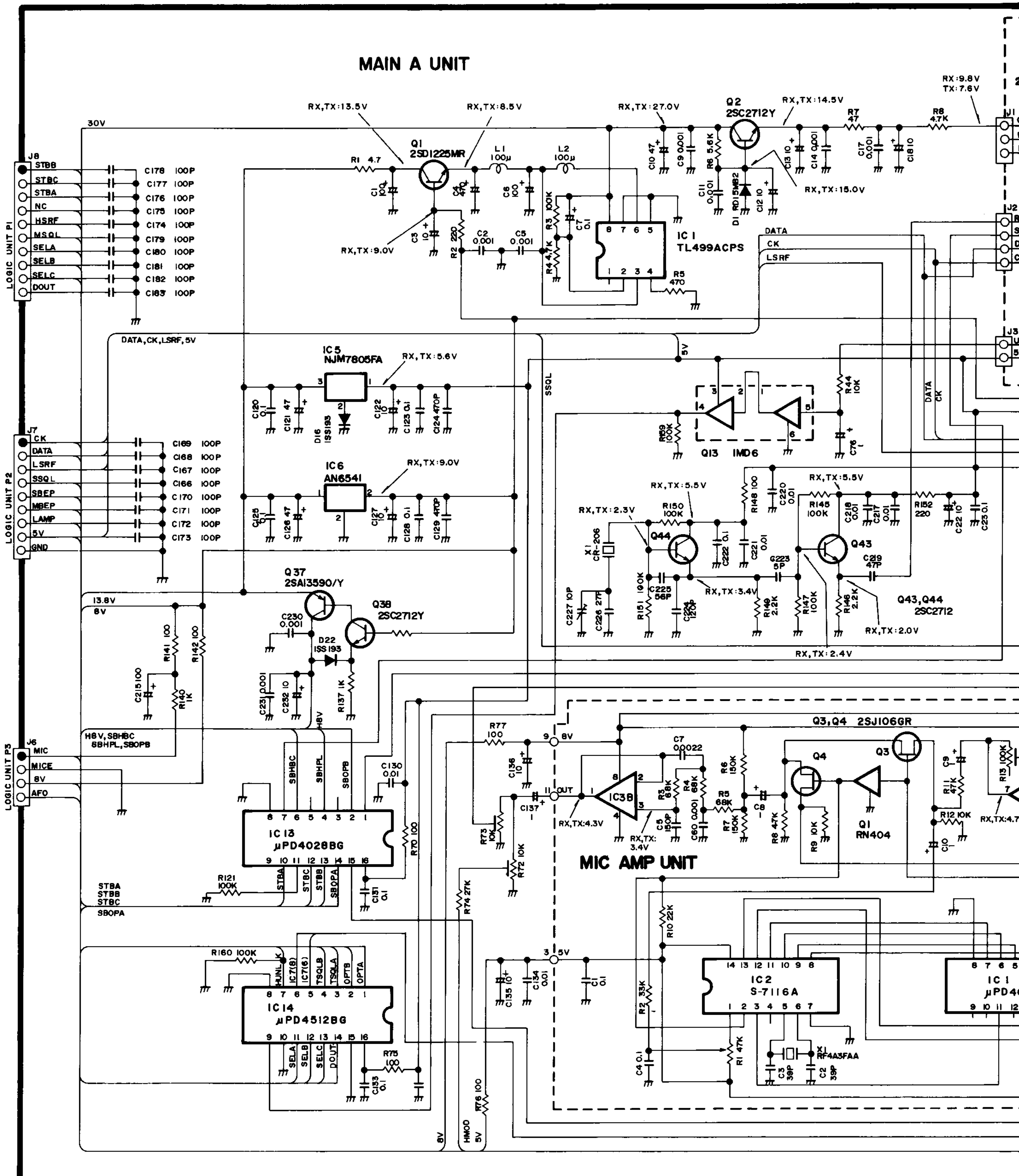




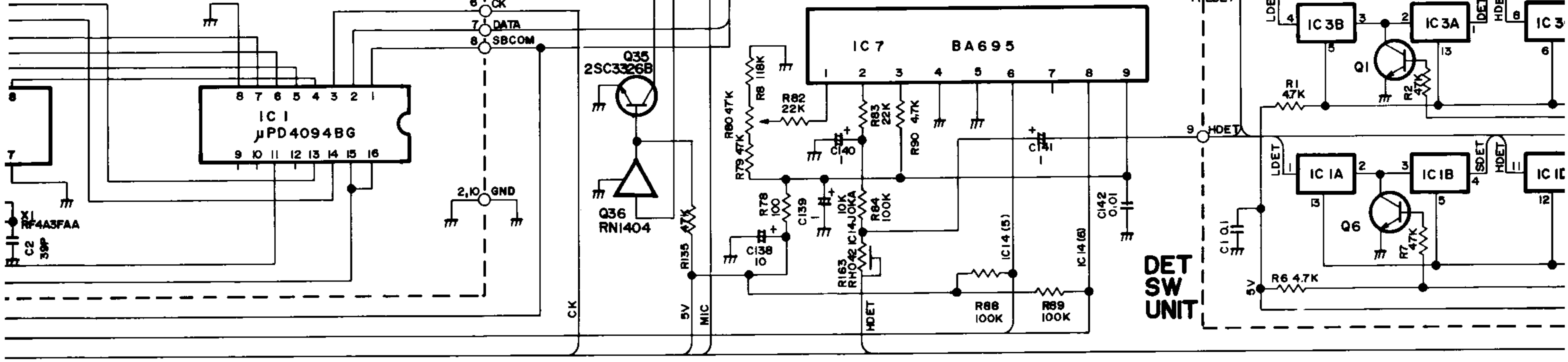
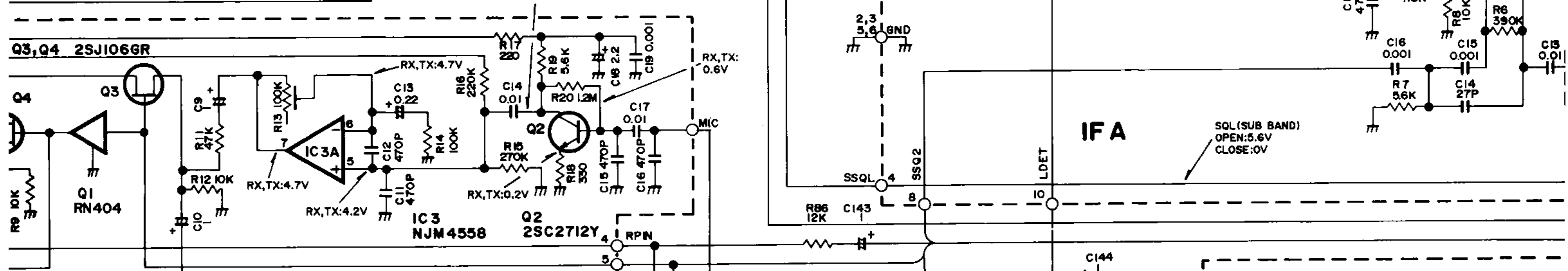
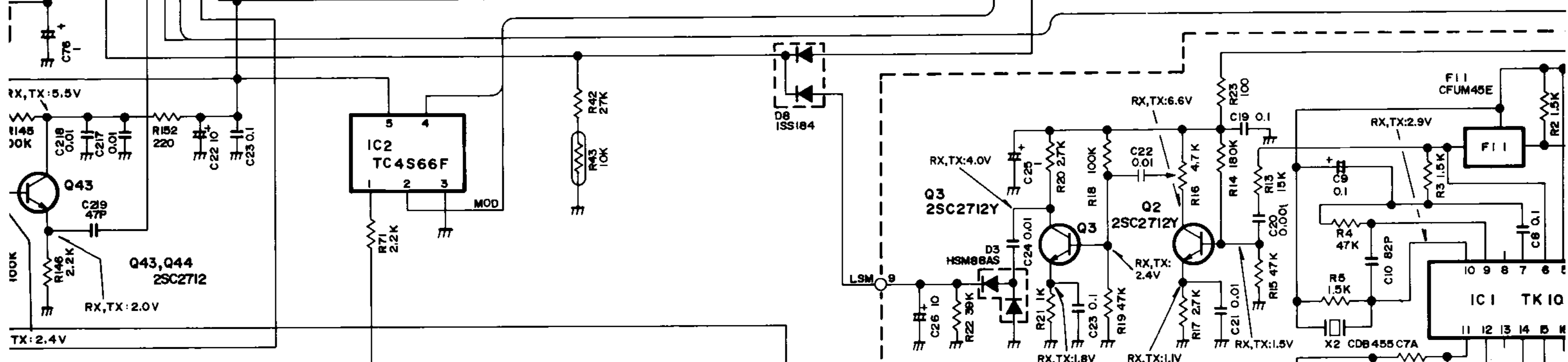
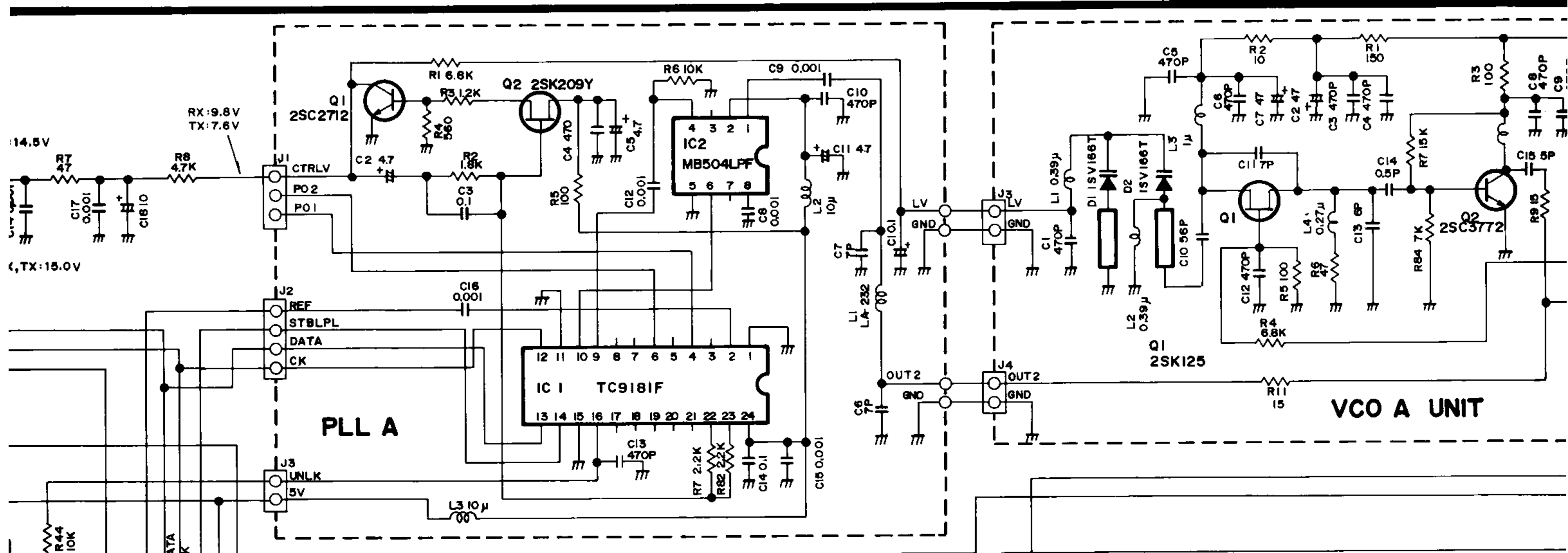
HMOD

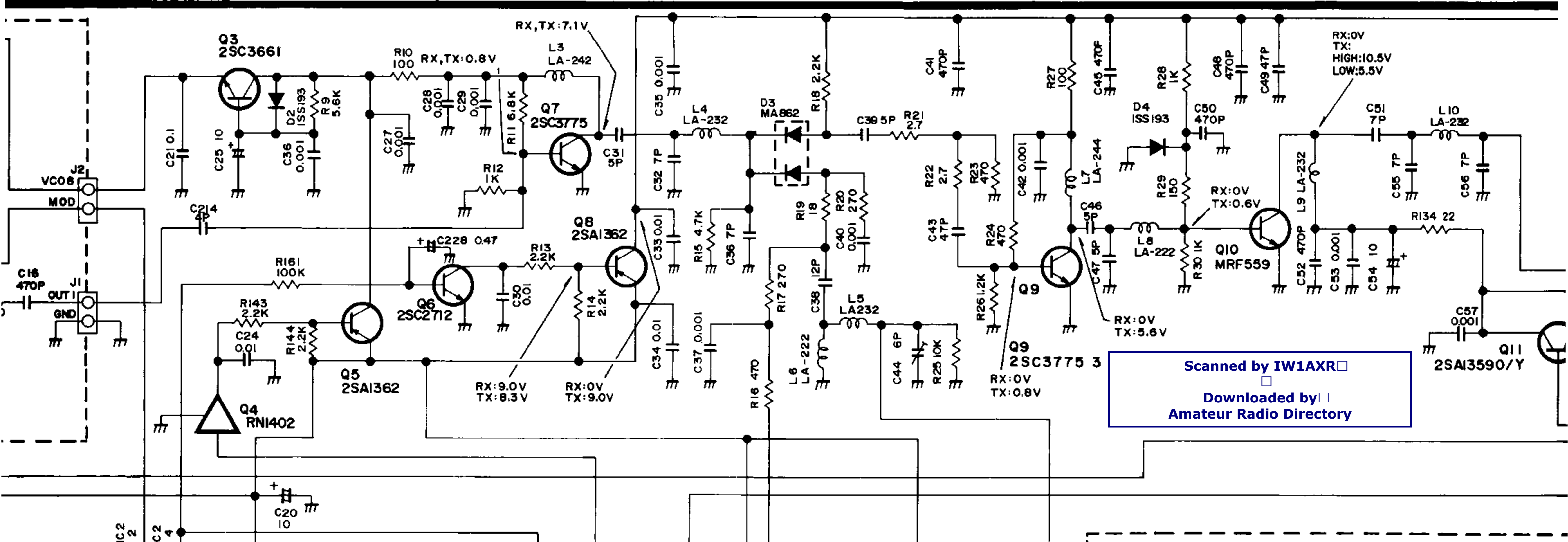


MAIN A UNIT

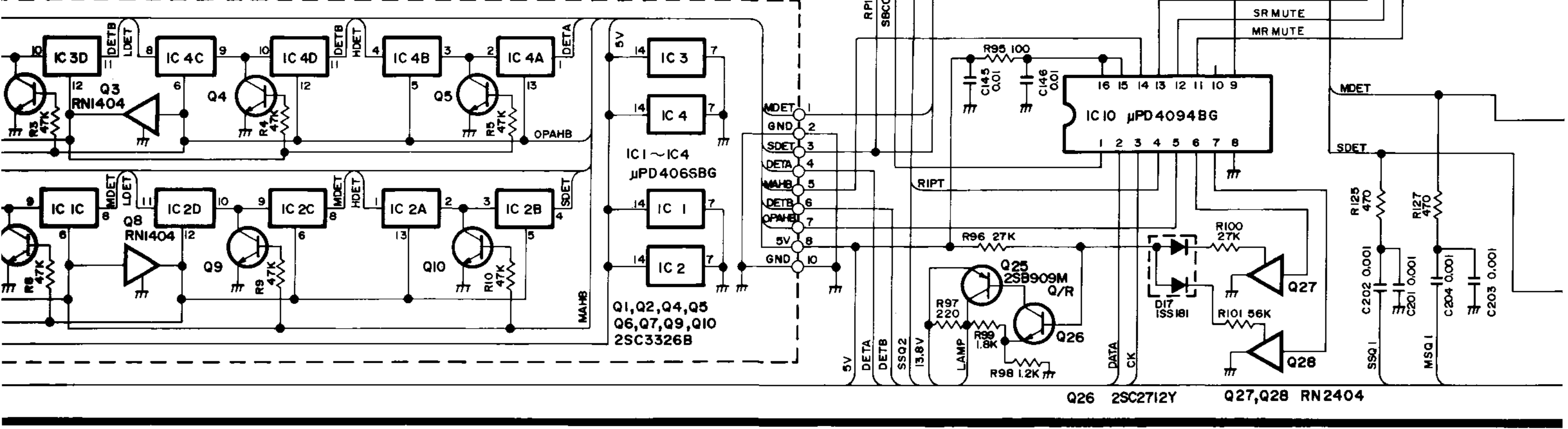
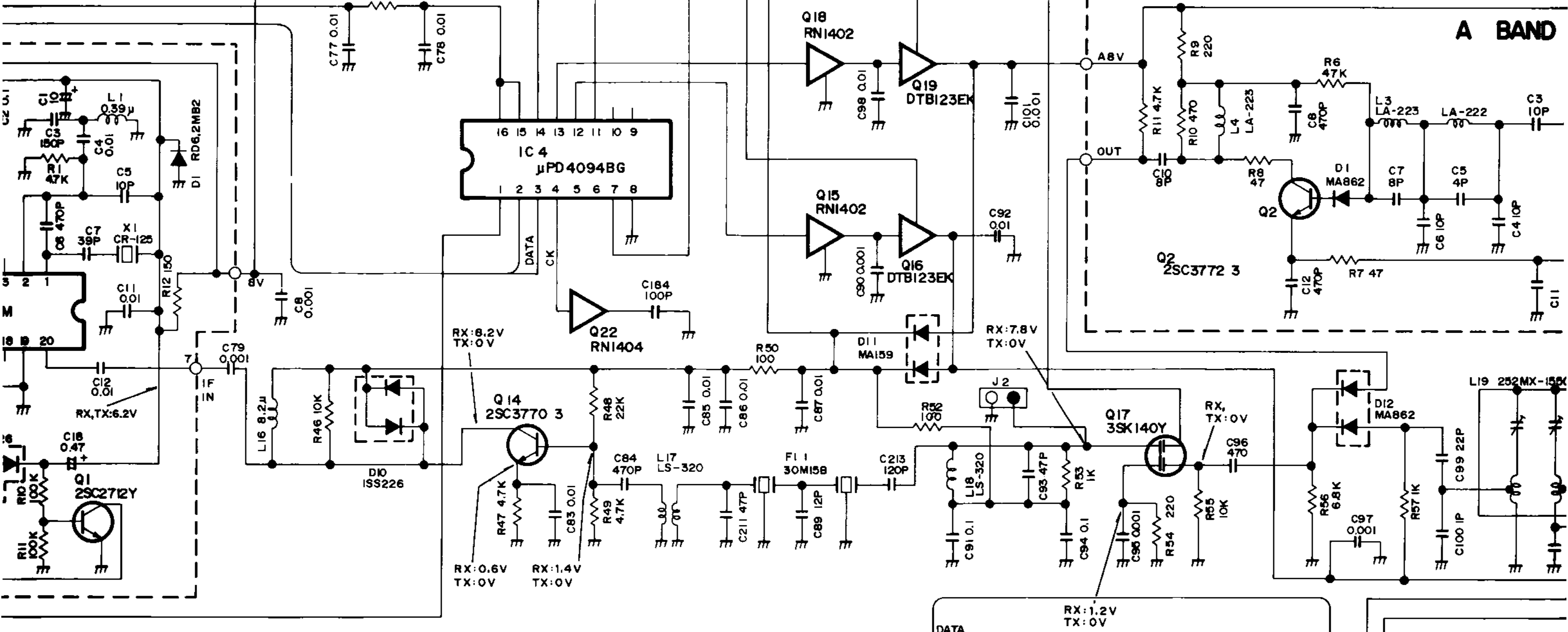


VR MAIN
VR SUB

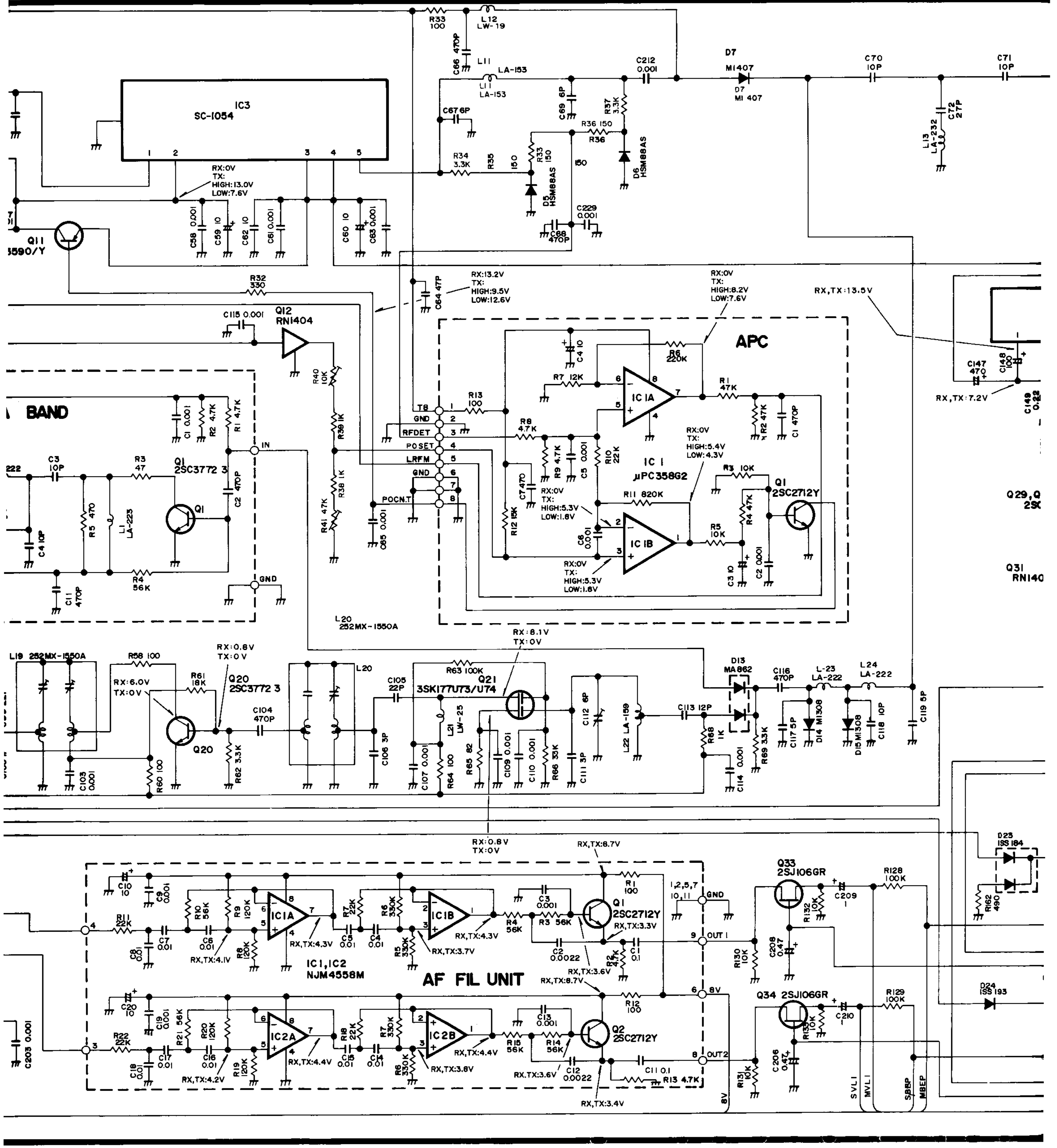


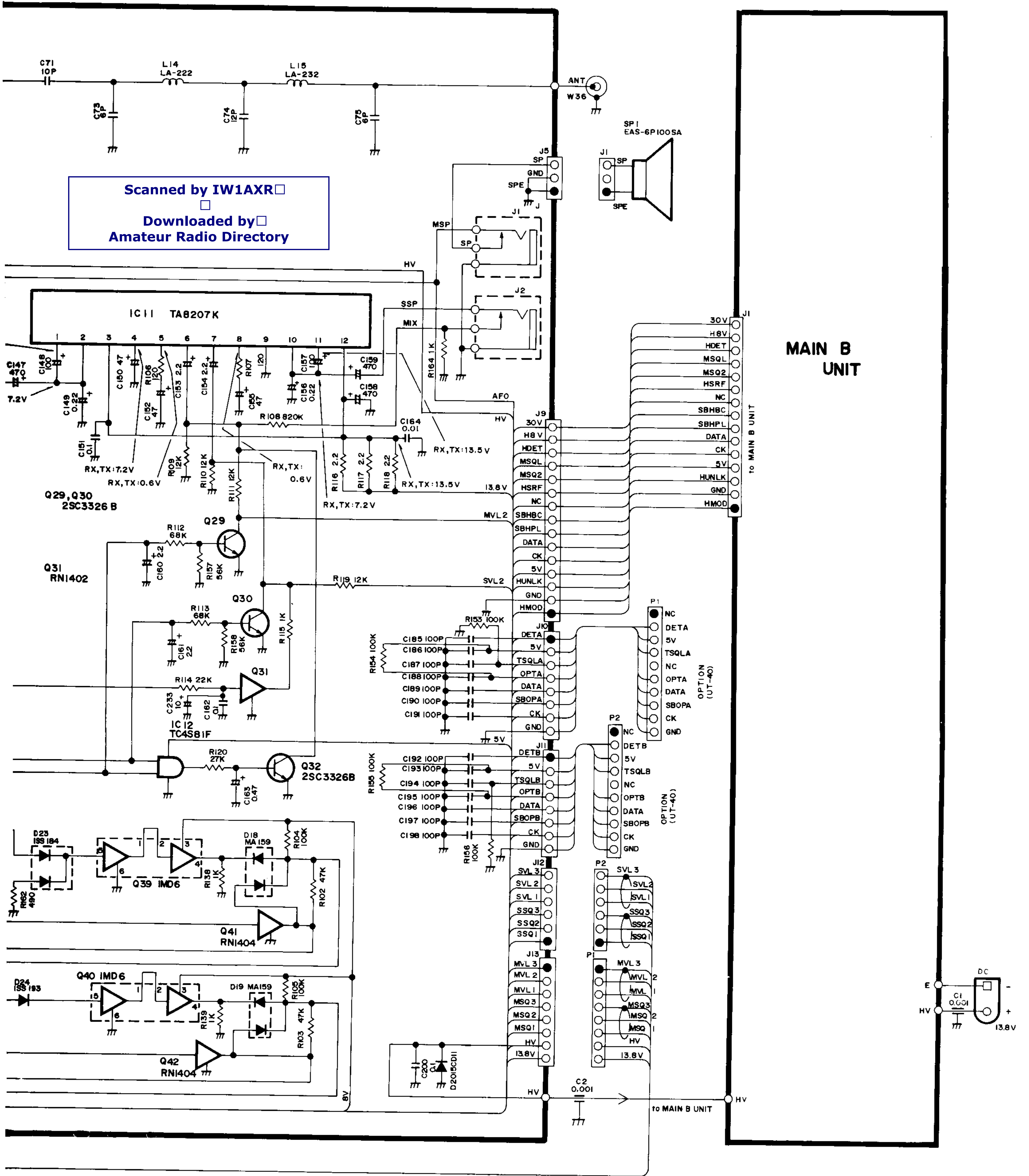


Scanned by IW1AXR
 Downloaded by
 Amateur Radio Directory



Q26 2SC2712Y Q27,Q28 RN2404





Scanned by IW1AXR
 Downloaded by
 Amateur Radio Directory

MAIN B UNIT

