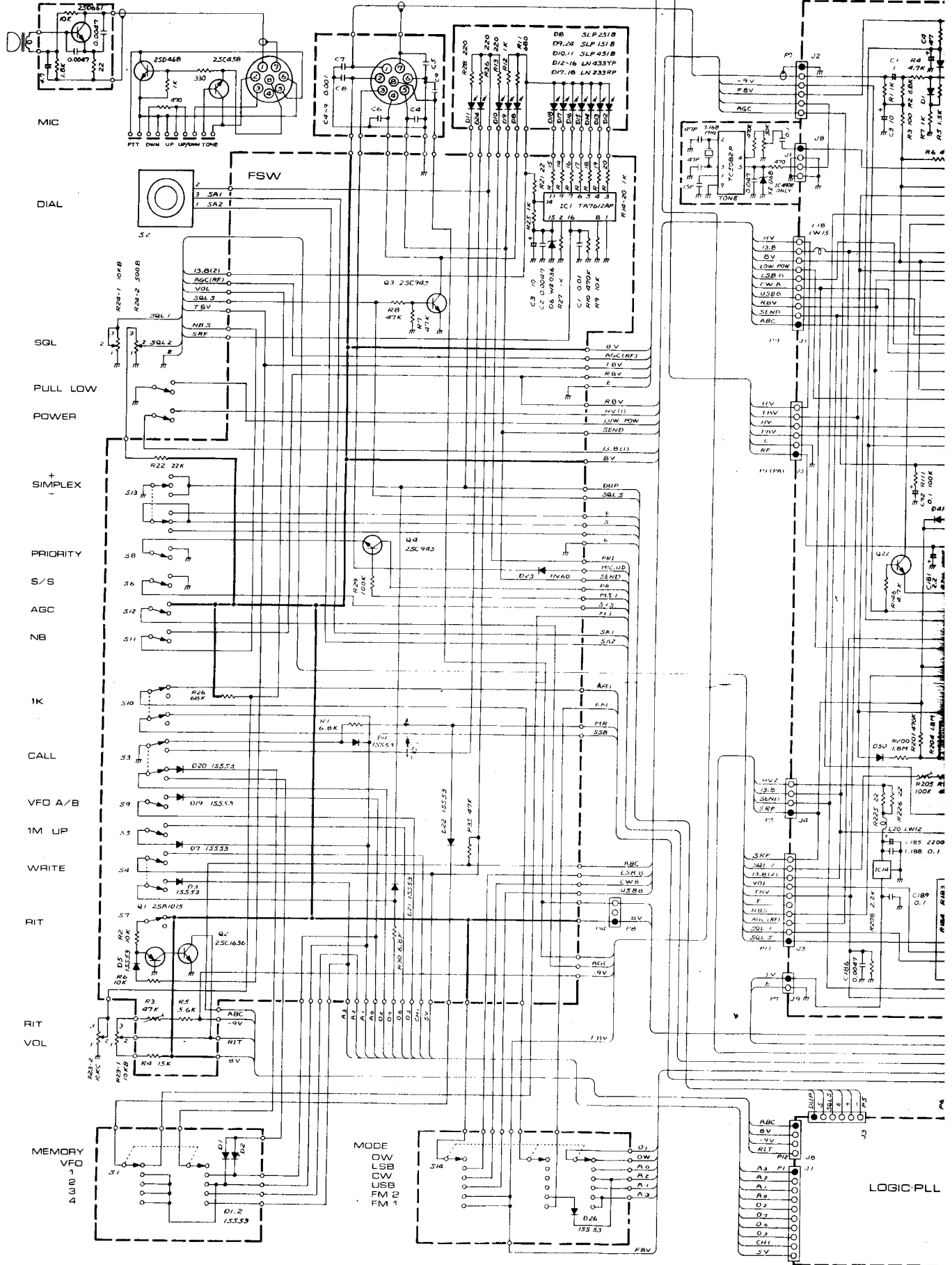
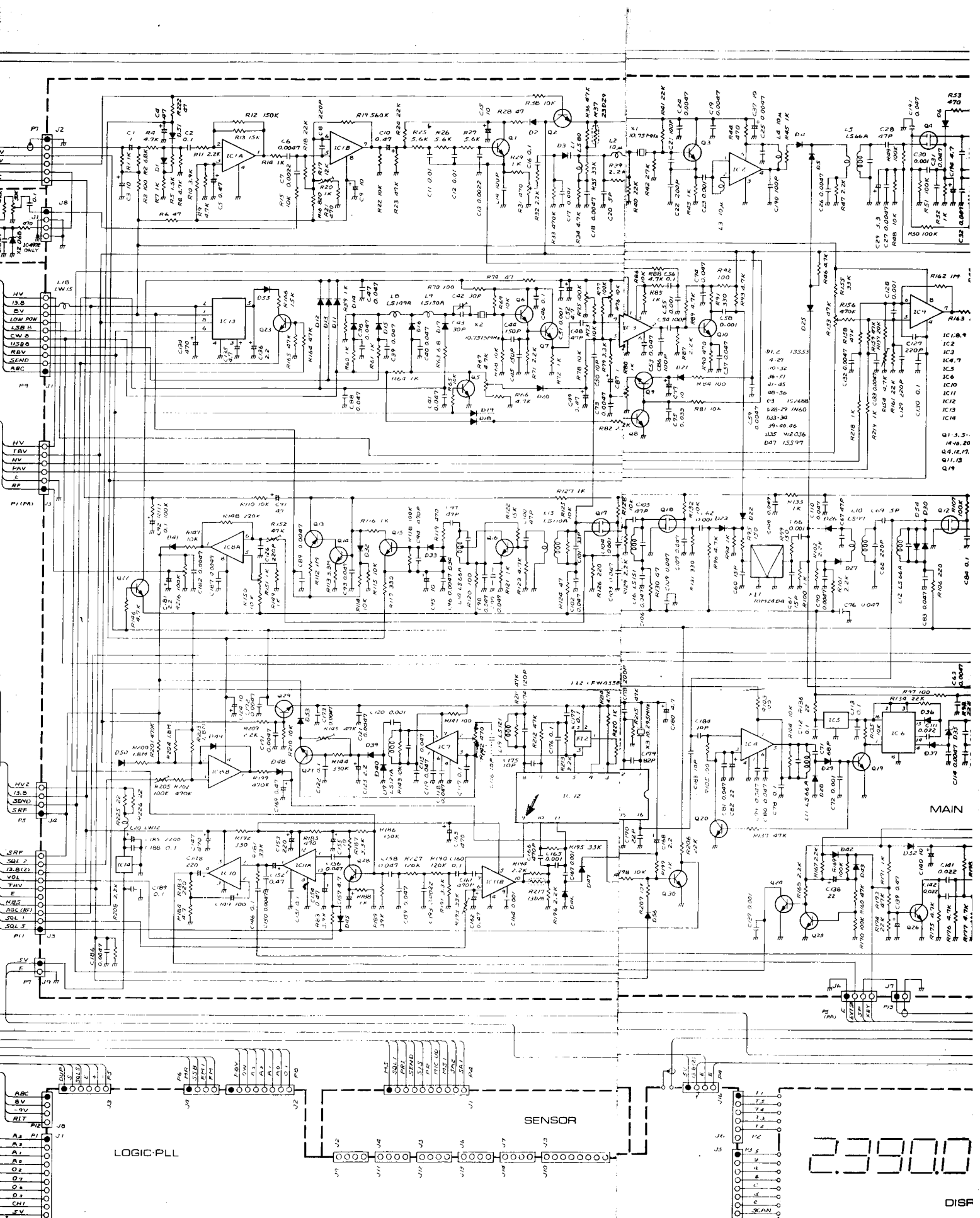
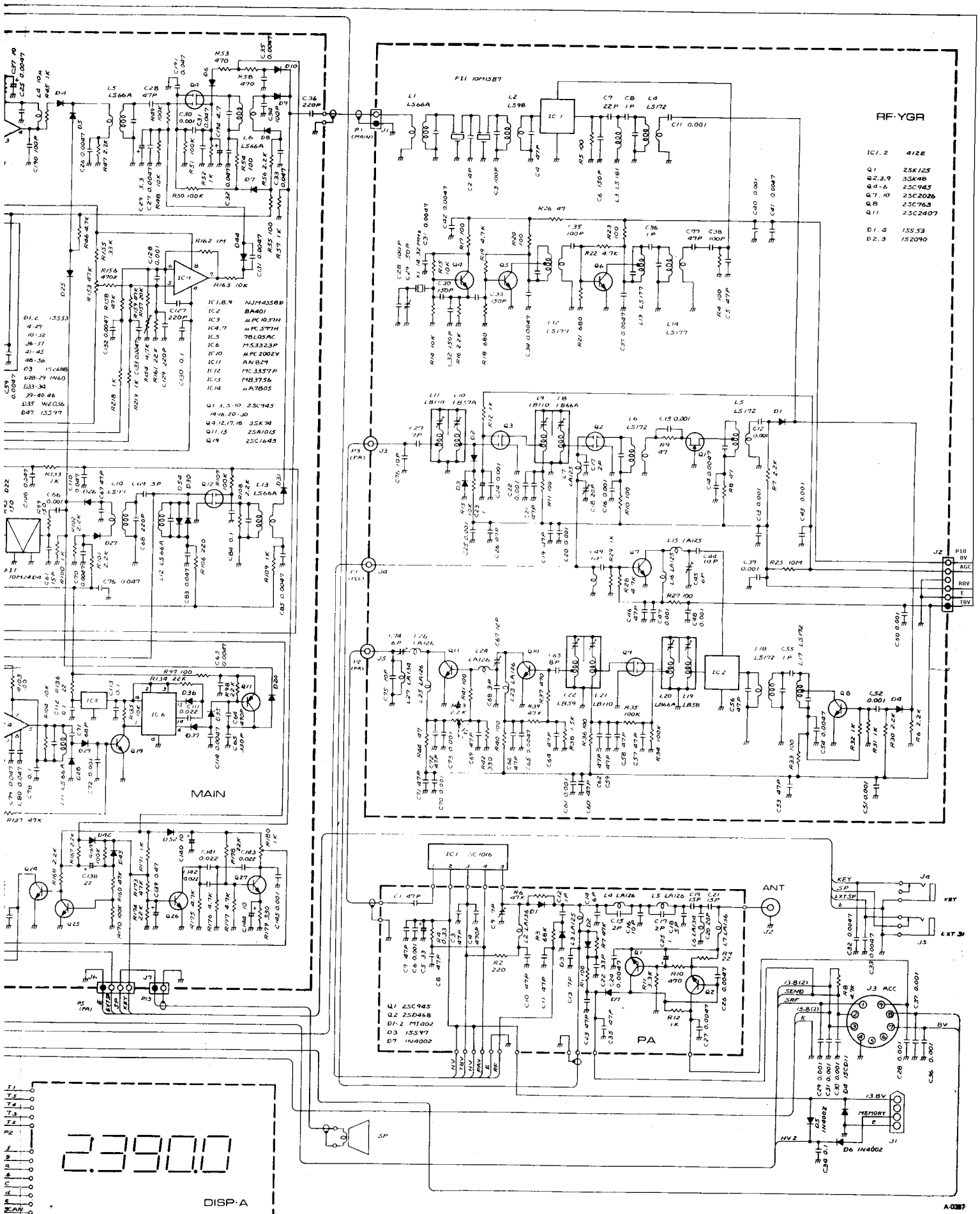


IC-490A.E SCHEMATIC DIAGRAM





23900
DISF



RF-YGR

- IC1, 2 412E
- Q1 2SK125
- Q2,3,9 3SK48
- Q4-6 2SC945
- Q7,10 2SC2026
- Q8 2SC768
- Q11 2SC2407
- D1,4 1SS53
- D2,3 1S2090

MAIN

ANT

PA

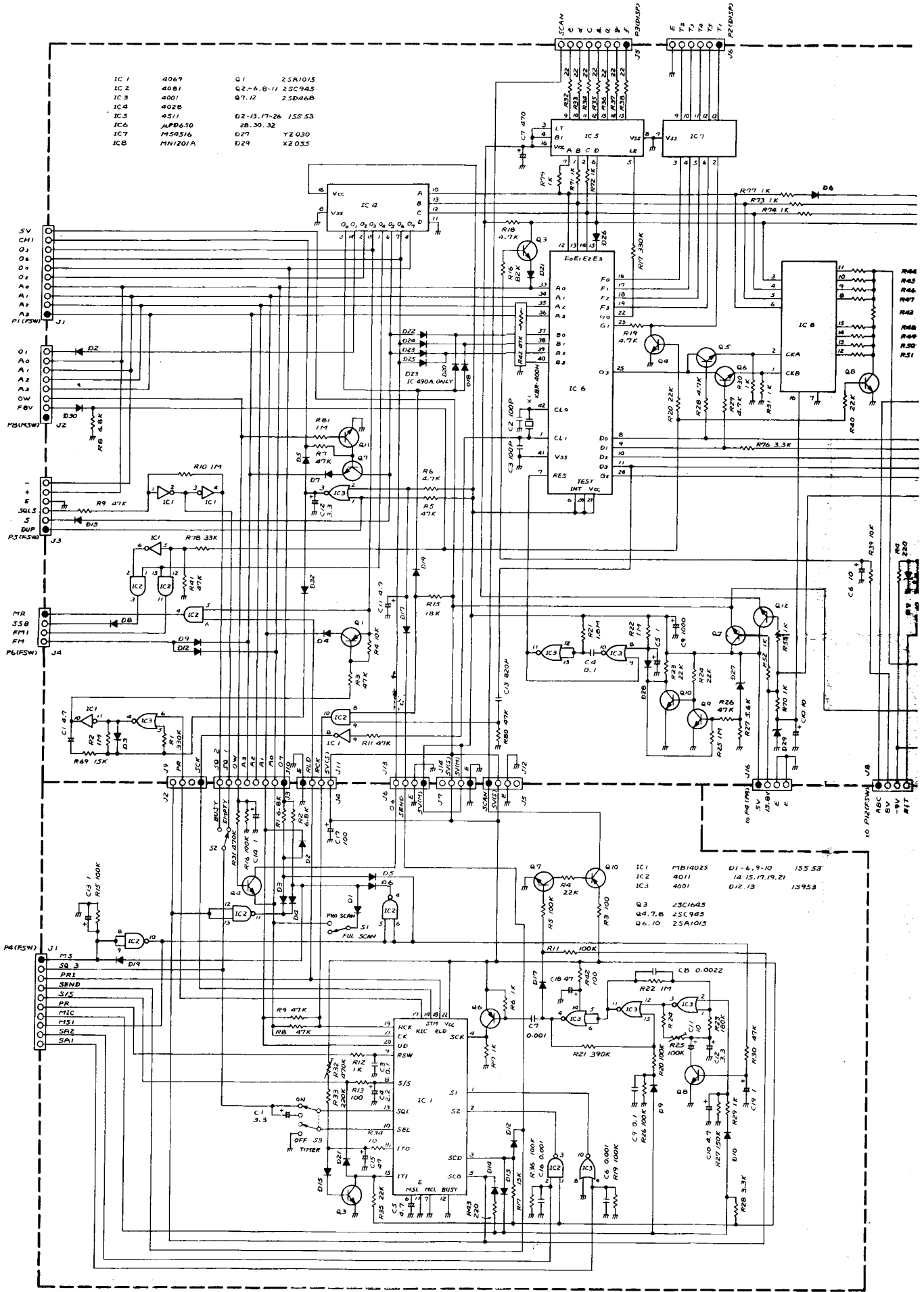
DISP-A

ICOM ICOM INCORPORATED

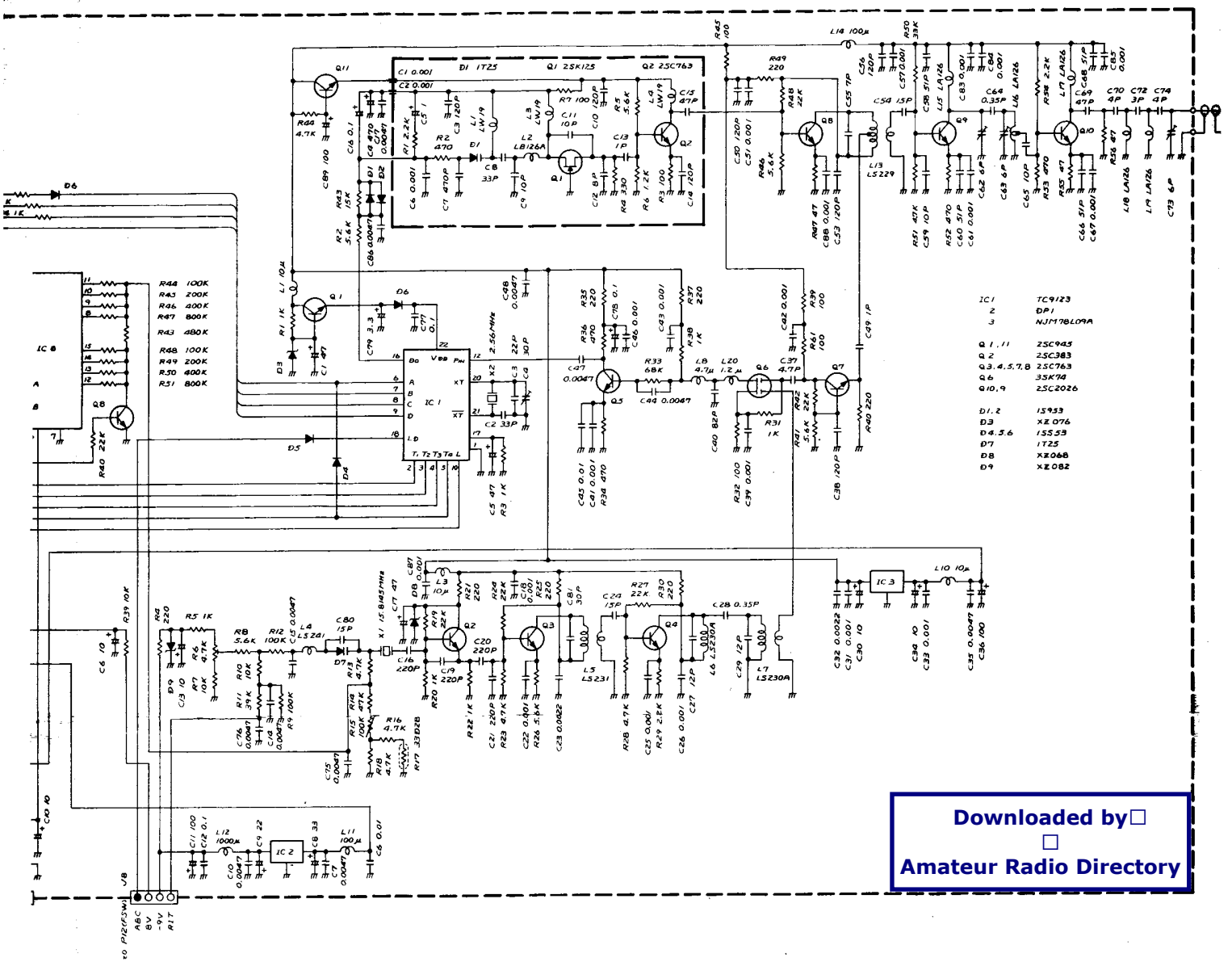
Some components subject to change for an improvement without notice.

Downloaded by Amateur Radio Directory

IC 1	4069	Q 1	2SA1015
IC 2	4061	Q 2-4, 8-11	2SC945
IC 3	4001	Q 7, 12	2SD468
IC 4	402B		
IC 5	4511	D 2-13, 17-26	1SS 53
IC 6	JAPR450	2B, 30, 32	
IC 7	M5251A	D 29	Y2 030
IC 8	HN1201A	D 29	X2 035



IC 1	MB14025	D 1-6, 9-10	1SS 53
IC 2	4011	14-15, 17, 19, 21	
IC 3	4001	D 12, 13	1S953
Q 3	23C1645		
Q 4, 7, 8	23C945		
Q 6, 10	2SA1015		



IC1	TC9123
D1	3D1
J	NU1178L09A
Q1,11	2SC945
Q2	2SC383
Q3,4,5,7,8	2SC763
Q6	3SK74
Q10,9	2SC2026
D1,2	15953
D3	XE076
D4,5,6	15553
D7	1T25
D8	XE068
D9	XE082

Downloaded by

 Amateur Radio Directory

15553
15953