



SERVICE MANUAL

TRIBAND FM TRANSCEIVER

IC-41A

IC-41E

ADJUSTMENT PROCEDURES

PLL ADJUSTMENT

ADJUSTMENT		ADJUSTMENT CONDITIONS	MEASUREMENT		VALUE	ADJUSTMENT POINT	
			UNIT	LOCATION		UNIT	ADJUST
144 MHz LOCK VOLTAGE	1	<ul style="list-style-type: none"> • Displayed frequency: 145.00 MHz • Simplex • Transmitting and receiving 	140RFA	Connect the digital multimeter or oscilloscope to 14TUNE line.	1.6 V DC on the lower voltage	RF-A	L8
144 MHz REFERENCE FREQUENCY	1	<ul style="list-style-type: none"> • Displayed frequency: 145.00 MHz • Connect the RF power meter or a 50 Ω dummy load to the antenna connector. 	Top panel	Loosely couple the frequency counter to the power meter.	145.0000 MHz	RF-A	C44
430 (440) MHz LOCK VOLTAGE	1	<ul style="list-style-type: none"> • Displayed frequency: 450.00 MHz (U.S.A. version) 440 MHz (non-U.S.A. version) • Simplex • Transmitting and receiving 	440VCO	Connect the digital multimeter or oscilloscope to LV line.	3.0 V DC on the lower voltage	440VCO	C3
430 (440) MHz REFERENCE FREQUENCY	1	<ul style="list-style-type: none"> • Displayed frequency: 440.00 MHz • Connect the RF power meter or a 50 Ω dummy load to the antenna connector. 	Top panel	Loosely couple the frequency counter to the power meter.	440.0000 MHz	RF-B	C52
1200 MHz LOCK VOLTAGE	1	<ul style="list-style-type: none"> • Displayed frequency: 1300.00 MHz • Simplex • Transmitting and receiving 	12VCO	Connect the digital multimeter or oscilloscope to LV line.	4.1 V DC on the lower voltage	12VCO	C3
1200 MHz REFERENCE FREQUENCY	1	<ul style="list-style-type: none"> • Displayed frequency: 1300.00 MHz • Connect the RF power meter or a 50 Ω dummy load to the antenna connector. 	Top panel	Loosely couple the frequency counter to the power meter.	1300.0000 MHz	RF-C	C42

* This output level of the standard signal generator (SSG) is indicated as SSG's open circuit.

CCW: Counterclockwise.

RECEIVER ADJUSTMENT

ADJUSTMENT	ADJUSTMENT CONDITIONS	MEASUREMENT		VALUE	ADJUSTMENT POINT	
		UNIT	LOCATION		UNIT	ADJUST
144 MHz SENSITIVITY	<ul style="list-style-type: none"> • Displayed frequency: 145.00 MHz • Connect the SSG to the antenna connector and set as: <ul style="list-style-type: none"> Level : 1.0 μ V* (- 107 dBm) Modulation: 1 kHz Deviation : \pm 3.5 kHz • Receiving • Squelch: Open 	LOGIC	Connect the digital multimeter or oscilloscope to J1 (14 SD) line	Maximum voltage	140RFB	Adjust in sequence L1, L2, L3
					RF-A	L2
144 MHz S-INDICATOR	<ul style="list-style-type: none"> • Displayed frequency: 145.00 MHz • Connect the SSG to the antenna connector and set as: <ul style="list-style-type: none"> Level : 0.5 μ V* (- 113 dBm) Modulation: 1 kHz Deviation : \pm 3.5 kHz • Receiving 	Function display	144 MHz S/RF indicator	4 dots	RF-A	R18
430 (440) MHz SENSITIVITY	<ul style="list-style-type: none"> • Displayed frequency: 445.00 MHz (U.S.A. version) 435.00 MHz (non-U.S.A. version) • Connect the SSG to the antenna connector and set as: <ul style="list-style-type: none"> Level : 1.0 μ V* (- 107 dBm) Modulation: 1 kHz Deviation : \pm 3.5 kHz • Receiving 	LOGIC	Connect the digital multimeter or oscilloscope to J1 (44 SD) line	Maximum voltage	440RFB	L1 IN L2 OUT
					RF-A	L1 OUT L2 IN
430 (440) MHz S-INDICATOR	<ul style="list-style-type: none"> • Displayed frequency: 440.50 MHz (U.S.A. version) 430.50 MHz (non-U.S.A. version) • Connect the SSG to the antenna connector and set as: <ul style="list-style-type: none"> Level : 0.32? μ V* (- 117 dBm) Modulation: 1 kHz Deviation : \pm 3.5 kHz • Receiving 	Function display	430 (440) MHz S/RF indicator	4 dots (S3)	RF-B	R5
1200 MHz SENSITIVITY	<ul style="list-style-type: none"> • Displayed frequency: 1280.00 MHz • Connect the SSG to the antenna connector and set as: <ul style="list-style-type: none"> Level : 1.0 μ V* (- 107 dBm) Modulation: 1 kHz Deviation : \pm 3.5 kHz • Receiving • Squelch: Open 	LOGIC	Connect the digital multimeter or oscilloscope to J1 (12SD) line	Maximum voltage	140RFB	Adjust in sequence L1, L2, L3
					RF-A	L2
1200 MHz S-INDICATOR	<ul style="list-style-type: none"> • Displayed frequency: 1280.00 MHz • Connect the SSG to the antenna connector and set as: <ul style="list-style-type: none"> Level : 1.0 μ V* (- 107 dBm) Modulation: 1 kHz Deviation : \pm 3.5 kHz • Receiving 	Function display	1200 MHz S/RF indicator	4 dots (S3)	RF-A	R18

* This output level of the standard signal generator (SSG) is indicated as SSG's open circuit.

CCW: Counterclockwise.

TRANSMITTER ADJUSTMENT

ADJUSTMENT	ADJUSTMENT CONDITIONS	MEASUREMENT		VALUE	ADJUSTMENT POINT		
		UNIT	LOCATION		UNIT	ADJUST	
144 MHz OUTPUT POWER	1	<ul style="list-style-type: none"> Displayed frequency: 145.000 MHz Output power : High Simplex Transmitting 	Top panel	Connect the RF power meter to the antenna connector.	5 W	RF-A	R37
	2	<ul style="list-style-type: none"> Output power : Low 1 					0.15 – 0.75 W
144 MHz DEVIATION	1	<ul style="list-style-type: none"> Displayed frequency: 145.000 MHz Connect the audio generator to [MIC/SP1] and set as: 200 mV/1.0 kHz (U.S.A.) 100 mV/1.0 kHz (non-U.S.A.) Connect the FM deviation meter to the antenna connector and set as: HPF : 50 Hz LPF : 20 kHz De-emphasis : OFF Detector : (P – P)/2 Transmitting 	Rear panel	Connect the FM deviation meter to the antenna connector through the attenuator.	± 4.8 kHz	RF-A	R79
430 (440) MHz OUTPUT POWER	1	<ul style="list-style-type: none"> Displayed frequency: 445.000 MHz (U.S.A.) 435.000 MHz (non-U.S.A.) Output power : High Simplex Transmitting 	Top panel	Connect the RF power meter to the antenna connector.	5 W	RF-B	R38
	2	<ul style="list-style-type: none"> Output power : Low 1 					0.15 – 0.75 W
430 (440) MHz DEVIATION	1	<ul style="list-style-type: none"> Displayed frequency: 145.000 MHz Connect the audio generator to [MIC/SP1] and set as: 200 mV/1.0 kHz (U.S.A.) 100 mV/1.0 kHz (non-U.S.A.) Connect the FM deviation meter to the antenna connector and set as: HPF : 50 Hz LPF : 20 kHz De-emphasis : OFF Detector : (P – P)/2 Transmitting 	Rear panel	Connect the FM deviation meter to the antenna connector through the attenuator.	± 4.8 kHz	RF-B	R86
1200 MHz OUTPUT POWER	1	<ul style="list-style-type: none"> Displayed frequency: 1280.000 MHz Output power : High Simplex Transmitting 	Top panel	Connect the RF power meter to the antenna connector.	1.0 W	RF-C	R32
	2	<ul style="list-style-type: none"> Output power : Low 1 					50 – 350 mW
1200 MHz DEVIATION	1	<ul style="list-style-type: none"> Displayed frequency: 1280.000 MHz Connect the audio generator to [MIC/SP1] and set as: 200 mV/1.0 kHz (U.S.A.) 100 mV/1.0 kHz (non-U.S.A.) Connect the FM deviation meter to the antenna connector and set as: HPF : 50 Hz LPF : 20 kHz De-emphasis : OFF Detector : (P – P)/2 Transmitting 	Rear panel	Connect the FM deviation meter to the antenna connector through the attenuator.	± 4.8 kHz	RF-C	R80

CW: Clockwise.

TRANSMITTER ADJUSTMENT (continued)

ADJUSTMENT		ADJUSTMENT CONDITIONS	MEASUREMENT		VALUE	ADJUSTMENT POINT	
			UNIT	LOCATION		UNIT	ADJUST
DTMF DEVIATION	1	<ul style="list-style-type: none"> Displayed frequency: 445.000 MHz (U.S.A.) 435.000 MHz (non-U.S.A.) While pushing the [PTT] switch, push the desired digit key. 	Top panel	Connect the FM deviation meter to the antenna connector.	± 3.5 kHz	LOGIC	R112
TONE CALL DEVIATION (IC- Δ 1E only)	1	<ul style="list-style-type: none"> Displayed frequency: 435.000 MHz While pushing the [PTT] switch, push and hold [VHF] key. 	Top panel	Connect the FM deviation meter to the antenna connector.	± 3.5 kHz	LOGIC	R52
SUB-AUDIBLE TONE DEVIATION	1	<ul style="list-style-type: none"> Displayed frequency: 445.000 MHz (U.S.A.) 435.000 MHz (non-U.S.A.) Push [Ⓢ T/TSQL/PB] several times until "T" appears. 	Top panel	Connect the FM deviation meter to the antenna connector.	± 0.75 kHz	LOGIC	R52

For non-U.S.A. versions, an optional UT-70 TONE SQUELCH UNIT or UT-71 TONE ENCODER UNIT is required.

PARTS LIST

[RFA UNIT]

REF. NO.	ORDER NO.	DESCRIPTION	
IC1	1120001850	S.IC	TK10487MTR
IC2	1130005810	S.IC	BU4094BF-T1
IC3	1130003760	S.IC	TC4S81F (TE85R)
IC4	1130003760	S.IC	TC4S81F (TE85R)
IC5	1130003760	S.IC	TC4S81F (TE85R)
IC6	1130005700	S.IC	M58760FP
IC7	1180000800	S.IC	S-81350HG-KD-T1
IC8	1150001390	IC	SC1144
IC9	1130004200	S.IC	TC4S86F (TE85R)
IC10	1130004200	S.IC	TC4S86F (TE85R)
Q2	1590001140	S.TRANSISTOR	UN9210(TX)
Q3	1540000350	S.TRANSISTOR	2SD2216-S(TX)
Q5	1530002280	S.TRANSISTOR	2SC4081 T107 S
Q6	1590000830	S.TRANSISTOR	FMG2 T149
Q7	1530002020	S.TRANSISTOR	2SC3770-3-TA
Q8	1560000550	S.FET	2SK882-Y (TE85R)
Q9	1590000430	S.TRANSISTOR	DTC144EU T107
Q10	1540000350	S.TRANSISTOR	2SD2216-S(TX)
Q11	1530003010	S.TRANSISTOR	2SC4117-GR (TE85R)
Q12	1530003010	S.TRANSISTOR	2SC4117-GR (TE85R)
Q13	1560000540	S.FET	2SK880-Y (TE85R)
Q14	1530000371	S.TRANSISTOR	2SC3358 R25-T2B
Q15	1530000371	S.TRANSISTOR	2SC3358 R25-T2B
Q16	1590000780	S.TRANSISTOR	IMX5 T109
Q17	1590000780	S.TRANSISTOR	IMX5 T109
Q18	1590001180	S.TRANSISTOR	XP1210(TX)
Q20	1590001140	S.TRANSISTOR	UN9210(TX)
Q21	1590000430	S.TRANSISTOR	DTC144EU T107
Q22	1590000690	S.TRANSISTOR	IMD6 T108
Q23	1530002240	S.TRANSISTOR	2SC3775-3-TA
Q24	1530002280	S.TRANSISTOR	2SC4081 T107 S
Q25	1510000820	S.TRANSISTOR	2SA1578 T107 S
Q26	1530002280	S.TRANSISTOR	2SC4081 T107 S
Q27	1510000820	S.TRANSISTOR	2SA1578 T107 S
Q28	1530002280	S.TRANSISTOR	2SC4081 T107 S
Q29	1520000200	S.TRANSISTOR	2SB798-T2 DK
Q30	1530002280	S.TRANSISTOR	2SC4081 T107 S
Q31	1520000080	TRANSISTOR	2SB909M R
Q32	1590000620	S.TRANSISTOR	FMS1 T148
Q33	1510000510	S.TRANSISTOR	2SA1578 T107 R
Q34	1530002280	S.TRANSISTOR	2SC4081 T107 S
Q35	1520000200	S.TRANSISTOR	2SB798-T2 DK
Q36	1590000430	S.TRANSISTOR	DTC144EU T107
Q37	1590000430	S.TRANSISTOR	DTC144EU T107
Q38	1530002280	S.TRANSISTOR	2SC4081 T107 S
Q39	1590001470	S.TRANSISTOR	UN9213(TX)
D3	1790000860	S.DIODE	MA133(TX)
D4	1790000980	S.DIODE	MA742(TX)
D5	1790000590	S.DIODE	MA110(TW)
D6	1790000450	S.DIODE	MA882(TX)
D7	1180000060	S.DIODE	DAN202U T107
D8	1720000370	S.VARICAP	HVU350TRF
D9	1790000620	S.DIODE	MA77(TW)
D10	1790000450	S.DIODE	MA882(TX)
D11	1750000160	S.DIODE	DA114 T107
D12	1750000160	S.DIODE	DA114 T107
D13	1750000160	S.DIODE	DA114 T107
D14	1750000160	S.DIODE	DA114 T107
D15	1180000060	S.DIODE	DAN202U T107
D16	1720000240	S.DIODE	1SV172 (TE85R)
D17	1720000360	S.DIODE	HSU88TRF
D18	1790000590	S.DIODE	MA110(TW)
D19	1720000360	S.DIODE	HSU88TRF
D20	1790000450	S.DIODE	MA882(TX)
D22	1790000590	S.DIODE	MA110(TW)

[RFA UNIT]

REF. NO.	ORDER NO.	DESCRIPTION	
FI1	2020000550	CERAMIC	CFUM455E
FI2	2010001220	FILTER	30M15B9 (FL-150)
X1	6070000060	DISCRI	CDBM455C7
X2	6050007190	XTAL	CR-325 30.39500MHz
X3	6050007230	XTAL	CR-329 12.80000MHz
L2	6150003210	COIL	LS-319
L3	6110002000	COIL	LA-226
L4	6110001540	COIL	LA-234
L5	6110002000	COIL	LA-226
L6	6110002070	COIL	LA-227
L7	6200001520	S.COIL	MLF2012D R82K-T
L8	6130002480	S.COIL	LB-277
L9	6200001510	S.COIL	MLF2012D R10K-T
L11	6200001520	S.COIL	MLF2012D R82K-T
L12	6200001500	S.COIL	MLF2012D R12K-T
L13	6200002660	S.COIL	LL2012-F39NK
R1	7030003680	S.RESISTOR	ERJ3GEYJ 104 V (100 kΩ)
R2	7030003680	S.RESISTOR	ERJ3GEYJ 104 V (100 kΩ)
R4	7030003680	S.RESISTOR	ERJ3GEYJ 104 V (100 kΩ)
R5	7030003800	S.RESISTOR	ERJ3GEYJ 105 V (1 MΩ)
R6	7030003680	S.RESISTOR	ERJ3GEYJ 104 V (100 kΩ)
R7	7030003760	S.RESISTOR	ERJ3GEYJ 474 V (470 kΩ)
R9	7030003520	S.RESISTOR	ERJ3GEYJ 472 V (4.7 kΩ)
R10	7030003480	S.RESISTOR	ERJ3GEYJ 222 V (2.2 kΩ)
R11	7030003400	S.RESISTOR	ERJ3GEYJ 471 V (470 Ω)
R12	7030003580	S.RESISTOR	ERJ3GEYJ 153 V (15 kΩ)
R13	7030003410	S.RESISTOR	ERJ3GEYJ 561 V (560 Ω)
R14	7030003730	S.RESISTOR	ERJ3GEYJ 274 V (270 kΩ)
R15	7030003520	S.RESISTOR	ERJ3GEYJ 472 V (4.7 kΩ)
R16	7030003340	S.RESISTOR	ERJ3GEYJ 151 V (150 Ω)
R18	7310003720	S.TRIMMER	EVM-1XSX50 B23 (202)
R19	7030003700	S.RESISTOR	ERJ3GEYJ 154 V (150 kΩ)
R20	7030003640	S.RESISTOR	ERJ3GEYJ 473 V (47 kΩ)
R21	7030003760	S.RESISTOR	ERJ3GEYJ 474 V (470 kΩ)
R23	7030003540	S.RESISTOR	ERJ3GEYJ 682 V (6.8 kΩ)
R25	7030003630	S.RESISTOR	ERJ3GEYJ 393 V (39 kΩ)
R26	7030003400	S.RESISTOR	ERJ3GEYJ 471 V (470 Ω)
R27	7030003380	S.RESISTOR	ERJ3GEYJ 331 V (330 Ω)
R28	7030003430	S.RESISTOR	ERJ3GEYJ 821 V (820 Ω)
R29	7030003630	S.RESISTOR	ERJ3GEYJ 393 V (39 kΩ)
R30	7030003410	S.RESISTOR	ERJ3GEYJ 561 V (560 Ω)
R31	7030003400	S.RESISTOR	ERJ3GEYJ 471 V (470 Ω)
R32	7030003520	S.RESISTOR	ERJ3GEYJ 472 V (4.7 kΩ)
R33	7030003480	S.RESISTOR	ERJ3GEYJ 222 V (2.2 kΩ)
R34	7030003290	S.RESISTOR	ERJ3GEYJ 560 V (56 Ω)
R35	7030003800	S.RESISTOR	ERJ3GEYJ 105 V (1 MΩ)
R36	7030003620	S.RESISTOR	ERJ3GEYJ 333 V (33 kΩ)
R37	7310003580	S.TRIMMER	EVM-1XSX50 B15 (104)
R38	7030003720	S.RESISTOR	ERJ3GEYJ 224 V (220 kΩ)
R39	7030003680	S.RESISTOR	ERJ3GEYJ 104 V (100 kΩ)
R41	7030003540	S.RESISTOR	ERJ3GEYJ 682 V (6.8 kΩ)
R42	7510000450	S.THERMISTOR	TN20-3C471LT
R43	7310003730	S.TRIMMER	EVM-1XSX50 B53 (502)
R44	7030003720	S.RESISTOR	ERJ3GEYJ 224 V (220 kΩ)
R45	7030003680	S.RESISTOR	ERJ3GEYJ 104 V (100 kΩ)
R46	7030003680	S.RESISTOR	ERJ3GEYJ 104 V (100 kΩ)
R47	7030003800	S.RESISTOR	ERJ3GEYJ 105 V (1 MΩ)
R48	7030003200	S.RESISTOR	ERJ3GEYJ 100 V (10 Ω)
R49	7030003640	S.RESISTOR	ERJ3GEYJ 473 V (47 kΩ)
R50	7030003520	S.RESISTOR	ERJ3GEYJ 472 V (4.7 kΩ)
R51	7030003680	S.RESISTOR	ERJ3GEYJ 104 V (100 kΩ)
R52	7030003320	S.RESISTOR	ERJ3GEYJ 101 V (100 Ω)
R53	7030003520	S.RESISTOR	ERJ3GEYJ 472 V (4.7 kΩ)
R54	7030003520	S.RESISTOR	ERJ3GEYJ 472 V (4.7 kΩ)

S.=Surface mount

[RFA UNIT]

REF. NO.	ORDER NO.	DESCRIPTION	
R56	7030003560	S.RESISTOR	ERJ3GEYJ 103 V (10 kΩ)
R57	7030003550	S.RESISTOR	ERJ3GEYJ 822 V (8.2 kΩ)
R58	7030003720	S.RESISTOR	ERJ3GEYJ 224 V (220 kΩ)
R59	7030003300	S.RESISTOR	ERJ3GEYJ 880 V (88 Ω)
R60	7030003320	S.RESISTOR	ERJ3GEYJ 101 V (100 Ω)
R61	7030003320	S.RESISTOR	ERJ3GEYJ 101 V (100 Ω)
R62	7030003360	S.RESISTOR	ERJ3GEYJ 221 V (220 Ω)
R63	7030003560	S.RESISTOR	ERJ3GEYJ 103 V (10 kΩ)
R64	7030003560	S.RESISTOR	ERJ3GEYJ 103 V (10 kΩ)
R65	7030003550	S.RESISTOR	ERJ3GEYJ 822 V (8.2 kΩ)
R66	7030003550	S.RESISTOR	ERJ3GEYJ 822 V (8.2 kΩ)
R67	7030003360	S.RESISTOR	ERJ3GEYJ 221 V (220 Ω)
R68	7030003570	S.RESISTOR	ERJ3GEYJ 123 V (12 kΩ)
R69	7030003600	S.RESISTOR	ERJ3GEYJ 223 V (22 kΩ)
R70	7030003380	S.RESISTOR	ERJ3GEYJ 331 V (330 Ω)
R71	7030003570	S.RESISTOR	ERJ3GEYJ 123 V (12 kΩ)
R72	7030003290	S.RESISTOR	ERJ3GEYJ 560 V (56 Ω)
R73	7030003320	S.RESISTOR	ERJ3GEYJ 101 V (100 Ω)
R74	7030003520	S.RESISTOR	ERJ3GEYJ 472 V (4.7 kΩ)
R75	7510000180	S.THERMISTOR	TN20-3S223LT
R76	7030003570	S.RESISTOR	ERJ3GEYJ 123 V (12 kΩ)
R77	7030003560	S.RESISTOR	ERJ3GEYJ 103 V (10 kΩ)
R78	7030003540	S.RESISTOR	ERJ3GEYJ 882 V (8.8 kΩ)
R79	7310003510	S.TRIMMER	RV-222 (RH03AVAS4)473
R80	7030003560	S.RESISTOR	ERJ3GEYJ 103 V (10 kΩ)
R81	7030003560	S.RESISTOR	ERJ3GEYJ 103 V (10 kΩ)
R82	7030003560	S.RESISTOR	ERJ3GEYJ 103 V (10 kΩ)
R83	7030003520	S.RESISTOR	ERJ3GEYJ 472 V (4.7 kΩ)
R84	7030003480	S.RESISTOR	ERJ3GEYJ 222 V (2.2 kΩ)
R85	7030003360	S.RESISTOR	ERJ3GEYJ 221 V (220 Ω)
R86	7030003800	S.RESISTOR	ERJ3GEYJ 223 V (22 kΩ)
R87	7030003540	S.RESISTOR	ERJ3GEYJ 882 V (8.8 kΩ)
R88	7030003320	S.RESISTOR	ERJ3GEYJ 101 V (100 Ω)
R89	7030003360	S.RESISTOR	ERJ3GEYJ 221 V (220 Ω)
R90	7030003380	S.RESISTOR	ERJ3GEYJ 331 V (330 Ω)
R91	7030003500	S.RESISTOR	ERJ3GEYJ 332 V (3.3 kΩ)
R93	7030003550	S.RESISTOR	ERJ3GEYJ 822 V (8.2 kΩ)
R94	7030003380	S.RESISTOR	ERJ3GEYJ 331 V (330 Ω)
R95	7030003330	S.RESISTOR	ERJ3GEYJ 121 V (120 Ω)
R96	7510000200	S.THERMISTOR	TN20-3U473LT
R97	7030003440	S.RESISTOR	ERJ3GEYJ 102 V (1 kΩ)
R98	7030003520	S.RESISTOR	ERJ3GEYJ 472 V (4.7 kΩ)
R99	7030003670	S.RESISTOR	ERJ3GEYJ 823 V (82 kΩ)
R100	7030003600	S.RESISTOR	ERJ3GEYJ 223 V (22 kΩ)
R101	7030003600	S.RESISTOR	ERJ3GEYJ 223 V (22 kΩ)
R102	7030003650	S.RESISTOR	ERJ3GEYJ 563 V (56 kΩ)
R103	7030003520	S.RESISTOR	ERJ3GEYJ 472 V (4.7 kΩ)
R105	7030000440	S.RESISTOR	MCR10EZHJ 3.3 kΩ (332)
R106	7030003640	S.RESISTOR	ERJ3GEYJ 473 V (47 kΩ)
R107	7030003480	S.RESISTOR	ERJ3GEYJ 222 V (2.2 kΩ)
R108	7030003690	S.RESISTOR	ERJ3GEYJ 124 V (120 kΩ)
R110	7030003600	S.RESISTOR	ERJ3GEYJ 223 V (22 kΩ)
R111	7030003550	S.RESISTOR	ERJ3GEYJ 822 V (8.2 kΩ)
R112	7030003730	S.RESISTOR	ERJ3GEYJ 274 V (270 kΩ)
R113	7030003840	S.RESISTOR	ERJ3GEYJ 225 V (2.2 MΩ)
R114	7030003440	S.RESISTOR	ERJ3GEYJ 102 V (1 kΩ)
R115	7030003520	S.RESISTOR	ERJ3GEYJ 472 V (4.7 kΩ)
R116	7030003560	S.RESISTOR	ERJ3GEYJ 103 V (10 kΩ)
R117	7030003720	S.RESISTOR	ERJ3GEYJ 224 V (220 kΩ)
R118	7030003200	S.RESISTOR	ERJ3GEYJ 100 V (10 Ω)
R119	7030003560	S.RESISTOR	ERJ3GEYJ 103 V (10 kΩ)
R120	7030003620	S.RESISTOR	ERJ3GEYJ 333 V (33 kΩ)
R121	7030003520	S.RESISTOR	ERJ3GEYJ 472 V (4.7 kΩ)
R122	7510000200	S.THERMISTOR	TN20-3U473LT
R123	7030003580	S.RESISTOR	ERJ3GEYJ 153 V (15 kΩ)
R124	7030003470	S.RESISTOR	ERJ3GEYJ 182 V (1.8 kΩ)
R125	7030003250	S.RESISTOR	ERJ3GEYJ 270 V (27 Ω)
C8	4030008920	S.CERAMIC	C1608 JB 1C 473K-T-A
C7	4030008960	S.CERAMIC	C2012 JB 1C 104K-T-A
C10	4030008860	S.CERAMIC	C1608 JB 1H 102K-T-A
C11	4030008650	S.CERAMIC	C1608 JB 1H 332K-T-A
C12	4030006740	S.CERAMIC	C1608 SL 1H 820J-T-A
C13	4030008920	S.CERAMIC	C1608 JB 1C 473K-T-A
C14	4030008920	S.CERAMIC	C1608 JB 1C 473K-T-A

[RFA UNIT]

REF. NO.	ORDER NO.	DESCRIPTION	
C15	4030008920	S.CERAMIC	C1608 JB 1C 473K-T-A
C16	4030008960	S.CERAMIC	C2012 JB 1C 104K-T-A
C17	4030007100	S.CERAMIC	C1608 CH 1H 580J-T-A
C18	4030007040	S.CERAMIC	C1608 CH 1H 180J-T-A
C19	4030008630	S.CERAMIC	C1608 JF 1C 104Z-T-A
C20	4030008860	S.CERAMIC	C1608 JB 1H 102K-T-A
C21	4030008650	S.CERAMIC	C1608 JB 1H 471K-T-A
C22	4030008860	S.CERAMIC	C1608 JB 1H 102K-T-A
C23	4030008690	S.CERAMIC	C1608 SL 1H 330J-T-A
C24	4030008860	S.CERAMIC	C1608 JB 1H 102K-T-A
C25	4030008900	S.CERAMIC	C1608 JB 1E 103K-T-A
C26	4030008900	S.CERAMIC	C1608 JB 1E 103K-T-A
C27	4550002890	S.TANTALUM	TESVA 1A 225M1-8L
C28	4030008850	S.CERAMIC	C1608 JB 1H 471K-T-A
C29	4030008620	S.CERAMIC	C1608 SL 1H 120J-T-A
C30	4030008860	S.CERAMIC	C1608 JB 1H 102K-T-A
C31	4030008860	S.CERAMIC	C1608 SL 1H 220J-T-A
C32	4030008860	S.CERAMIC	C1608 JB 1H 102K-T-A
C33	4030008860	S.CERAMIC	C1608 JB 1H 102K-T-A
C35	4030008660	S.CERAMIC	C1608 SL 1H 220J-T-A
C36	4030008710	S.CERAMIC	C1608 SL 1H 470J-T-A
C37	4030008610	S.CERAMIC	C1608 SL 1H 100D-T-A
C38	4030008670	S.CERAMIC	C1608 SL 1H 270J-T-A
C39	4030008630	S.CERAMIC	C1608 SL 1H 150J-T-A
C40	4030008860	S.CERAMIC	C1608 JB 1H 102K-T-A
C41	4030008860	S.CERAMIC	C1608 JB 1H 471K-T-A
C42	4030008920	S.CERAMIC	C1608 JB 1C 473K-T-A
C43	4030007030	S.CERAMIC	C1608 CH 1H 150J-T-A
C44	4610001850	S.TRIMMER	TZBX4R200BA110T00
C45	4030007080	S.CERAMIC	C1608 CH 1H 390J-T-A
C46	4030008860	S.CERAMIC	C1608 JB 1H 102K-T-A
C47	4030008920	S.CERAMIC	C1608 JB 1C 473K-T-A
C48	4030008860	S.CERAMIC	C1608 JB 1H 102K-T-A
C49	4030008650	S.CERAMIC	C1608 JB 1H 471K-T-A
C50	4030008960	S.CERAMIC	C2012 JB 1C 104K-T-A
C52	4550000670	S.TANTALUM	TESVB2 0G 106M-8L
C53	4550000670	S.TANTALUM	TESVB2 0G 106M-8L
C54	4030008630	S.CERAMIC	C1608 JB 1C 104Z-T-A
C55	4030008860	S.CERAMIC	C1608 JB 1H 102K-T-A
C56	4550000530	S.TANTALUM	TESVA 1V 104M1-8L
C57	4030008860	S.CERAMIC	C1608 JB 1H 102K-T-A
C58	4030007050	S.CERAMIC	C1608 CH 1H 220J-T-A
C59	4030008920	S.CERAMIC	C1608 JB 1C 473K-T-A
C60	4030008860	S.CERAMIC	C1608 JB 1H 102K-T-A
C61	4030008860	S.CERAMIC	C1608 JB 1H 102K-T-A
C63	4030009560	S.CERAMIC	C1608 CH 1H R75B-T-A
C64	4030008520	S.CERAMIC	C1608 SL 1H 010C-T-A
C65	4030008860	S.CERAMIC	C1608 JB 1H 102K-T-A
C66	4030008860	S.CERAMIC	C1608 JB 1H 102K-T-A
C67	4030008520	S.CERAMIC	C1608 SL 1H 010C-T-A
C68	4030008860	S.CERAMIC	C1608 JB 1H 102K-T-A
C69	4030008860	S.CERAMIC	C1608 SL 1H 220J-T-A
C70	4030008860	S.CERAMIC	C1608 JB 1H 102K-T-A
C71	4030008860	S.CERAMIC	C1608 JB 1H 102K-T-A
C72	4030008610	S.CERAMIC	C1608 SL 1H 100D-T-A
C73	4030008860	S.CERAMIC	C1608 SL 1H 220J-T-A
C74	4030008860	S.CERAMIC	C1608 JB 1H 102K-T-A
C75	4030008860	S.CERAMIC	C1608 JB 1H 102K-T-A
C76	4030008860	S.CERAMIC	C1608 JB 1H 102K-T-A
C77	4030008850	S.CERAMIC	C1608 JB 1H 471K-T-A
C78	4030008900	S.CERAMIC	C1608 JB 1E 103K-T-A
C79	4510004430	S.ELECTROLITIC	ECEV1CV220WR
C80	4030008650	S.CERAMIC	C1608 JB 1H 471K-T-A
C81	4510004420	S.ELECTROLITIC	ECEV0JV330SR
C82	4030008650	S.CERAMIC	C1608 JB 1H 471K-T-A
C83	4030008650	S.CERAMIC	C1608 JB 1H 471K-T-A
C84	4550003030	S.TANTALUM	TEMSVA 0J 475M-8L
C85	4030008850	S.CERAMIC	C1608 JB 1H 471K-T-A
C86	4550002890	S.TANTALUM	TESVA 1A 225M1-8L
C87	4030008850	S.CERAMIC	C1608 JB 1H 471K-T-A
C88	4550002890	S.TANTALUM	TESVA 1A 225M1-8L
C89	4550003040	S.TANTALUM	TEMSVB2 0J 106M-8L
C90	4030008860	S.CERAMIC	C1608 JB 1H 102K-T-A
C91	4030008850	S.CERAMIC	C1608 JB 1H 471K-T-A
C92	4030008860	S.CERAMIC	C1608 JB 1H 102K-T-A
C93	4030008620	S.CERAMIC	C1608 SL 1H 120J-T-A

S.=Surface mount

[RFA UNIT]

REF. NO.	ORDER NO.	DESCRIPTION	
C94	4510004430	S.ELECTROLITIC	ECEV1CV220WR
C95	4030008880	S.CERAMIC	C1808 JB 1H 102K-T-A
C96	4030008850	S.CERAMIC	C1808 JB 1H 471K-T-A
C97	4030008880	S.CERAMIC	C1808 JB 1H 102K-T-A
C98	4030008880	S.CERAMIC	C1808 JB 1H 102K-T-A
C99	4030008880	S.CERAMIC	C1808 JB 1H 102K-T-A
C102	4030008880	S.CERAMIC	C1808 JB 1H 102K-T-A
C103	4030008880	S.CERAMIC	C1808 JB 1H 102K-T-A
C104	4030008880	S.CERAMIC	C1808 JB 1H 102K-T-A
C105	4030008880	S.CERAMIC	C1808 JB 1H 102K-T-A
C106	4030008880	S.CERAMIC	C1808 JB 1H 102K-T-A
C110	4030008880	S.CERAMIC	C1808 JB 1H 102K-T-A
C111	4030008880	S.CERAMIC	C1808 JB 1H 102K-T-A
C112	4030008880	S.CERAMIC	C1808 JB 1H 102K-T-A
C113	4550003030	S.TANTALUM	TEMSVA 0J 475M-8L
C114	4030008880	S.CERAMIC	C1808 JB 1H 102K-T-A
C115	4030008880	S.CERAMIC	C1808 JB 1H 102K-T-A
C116	4030008880	S.CERAMIC	C1808 JB 1H 102K-T-A
C117	4510001350	ELECTROLITIC	18 MS5 10UF
C118	4030008880	S.CERAMIC	C1808 JB 1H 102K-T-A
C119	4030008880	S.CERAMIC	C1808 JB 1H 102K-T-A
C120	4030008880	S.CERAMIC	C1808 JB 1H 102K-T-A
C121	4030008880	S.CERAMIC	C1808 JB 1H 102K-T-A
C122	4550000480	S.TANTALUM	TESVA 1C 105M1-8L
C123	4030008900	S.CERAMIC	C1808 JB 1E 103K-T-A
C124	4030008880	S.CERAMIC	C1808 JB 1H 102K-T-A
C125	4030008920	S.CERAMIC	C1808 JB 1C 473K-T-A
C126	4550003030	S.TANTALUM	TEMSVA 0J 475M-8L
C127	4030008850	S.CERAMIC	C1808 JB 1H 471K-T-A
C128	4030009550	S.CERAMIC	C1808 CH 1H 2R5B-T-A
C129	4030008580	S.CERAMIC	C1808 SL 1H 050C-T-A
C130	4030008880	S.CERAMIC	C1808 JB 1H 102K-T-A
C133	4030009230	S.CERAMIC	C1808 SL 1H 240J-T-A
C134	4030008630	S.CERAMIC	C1808 SL 1H 150J-T-A
C135	4030008630	S.CERAMIC	C1808 SL 1H 150J-T-A
C136	4030008710	S.CERAMIC	C1808 SL 1H 470J-T-A
W1	7030003880	S.JUMPER	ERJ3GE JPW V
W3	7030003880	S.JUMPER	ERJ3GE JPW V
W5	7030003880	S.JUMPER	ERJ3GE JPW V
W7	7030003880	S.JUMPER	ERJ3GE JPW V
W8	7030003880	S.JUMPER	ERJ3GE JPW V
W9	7030003880	S.JUMPER	ERJ3GE JPW V
W10	7030003880	S.JUMPER	ERJ3GE JPW V
W11	9010938005	WIRE	73/98/009/X98/X98
W15	9011240030	WIRE	73/98/006/X98/X98
J1	6510012710	CONNECTOR	53020-1210
J2	6510012880	CONNECTOR	53020-0610
EP1	0910033266	PCB	B 3236F
EP2	8950002790	SEAL	Electrical tape NO.1245 30X25.4
MP1	8510007390	CASE	936 Unit Case
MP2	8110004520	COVER	936 Unit T Cover
MP3	8110004530	COVER	936 Unit B Cover
MP4	8410001720	HEATSINK	936 Unit Heatshink
MP5	8510007400	PLATE	936 Module Shield
MP6	8810008920	SCREW	PH No. 0 M2 X5 NI
MP7	8310027050	LABEL	Unit steaker (T) 145M
MP8	8510005940	CASE	752 VCO case
MP9	8510008510	PLATE	936 VCO Shield
MP10	8930029210	SHEET	936 VCO Sheet
MP11	8310031070	LABEL	P.ROM steaker (G) SC-1144
WS1	8970020550	==	Coaxial (1)/RFA

[140 RFA BOARD]

REF. NO.	ORDER NO.	DESCRIPTION	
Q1	1530002570	S.TRANSISTOR	2SC4405-3-TR
Q2	1530002560	S.TRANSISTOR	2SC4403-3-TR
D1	1790000820	S.DIODE	MA77(TW)
D2	1720000370	S.VARICAP	HVU350TRF
D3	1790000820	S.DIODE	MA77(TW)
D4	1720000370	S.VARICAP	HVU350TRF
D5	1720000370	S.VARICAP	HVU350TRF
D6	1790000820	S.DIODE	MA77(TW)
R1	7030003580	S.RESISTOR	ERJ3GEYJ 103 V (10 kΩ)
R2	7030003680	S.RESISTOR	ERJ3GEYJ 104 V (100 kΩ)
R3	7030003340	S.RESISTOR	ERJ3GEYJ 151 V (150 Ω)
R4	7030003580	S.RESISTOR	ERJ3GEYJ 103 V (10 kΩ)
R5	7030003280	S.RESISTOR	ERJ3GEYJ 470 V (47 Ω)
R6	7030003580	S.RESISTOR	ERJ3GEYJ 103 V (10 kΩ)
R7	7030003680	S.RESISTOR	ERJ3GEYJ 104 V (100 kΩ)
R8	7030003680	S.RESISTOR	ERJ3GEYJ 104 V (100 kΩ)
R9	7030003580	S.RESISTOR	ERJ3GEYJ 103 V (10 kΩ)
R10	7030003580	S.RESISTOR	ERJ3GEYJ 153 V (15 kΩ)
R11	7030003520	S.RESISTOR	ERJ3GEYJ 472 V (4.7 kΩ)
R14	7030003330	S.RESISTOR	ERJ3GEYJ 121 V (120 Ω)
C1	4030008640	S.CERAMIC	C1808 SL 1H 180J-T-A
C2	4030008690	S.CERAMIC	C1808 SL 1H 330J-T-A
C3	4030008600	S.CERAMIC	C1808 SL 1H 090D-T-A
C4	4030008620	S.CERAMIC	C1808 SL 1H 120J-T-A
C5	4030008850	S.CERAMIC	C1808 JB 1H 471K-T-A
C6	4030008590	S.CERAMIC	C1808 SL 1H 080D-T-A
C7	4030008720	S.CERAMIC	C1808 SL 1H 560J-T-A
C8	4030008570	S.CERAMIC	C1808 SL 1H R75C-T-A
C9	4030008560	S.CERAMIC	C1808 SL 1H 050C-T-A
C10	4030008880	S.CERAMIC	C1808 JB 1H 102K-T-A
C11	4030008720	S.CERAMIC	C1808 SL 1H 560J-T-A
C12	4030008600	S.CERAMIC	C1808 SL 1H 090D-T-A
C13	4030008880	S.CERAMIC	C1808 JB 1H 102K-T-A
C18	4030008880	S.CERAMIC	C1808 JB 1H 102K-T-A
C20	4030008880	S.CERAMIC	C1808 JB 1H 102K-T-A
C21	4030008880	S.CERAMIC	C1808 JB 1H 102K-T-A
C22	4030008880	S.CERAMIC	C1808 JB 1H 102K-T-A
EP1	0910036431	PCB	B 3618A
EP3	6510008580	LEADFRAM	PT2.0-0.7-16.5 (K)

[140 RFB BOARD]

REF. NO.	ORDER NO.	DESCRIPTION	
L1	6150003120	COIL	LS-321
L2	6150003120	COIL	LS-321
L3	6150003430	COIL	LS-378
EP1	0910020185	PCB	B 1946E

S.=Surface mount

[RFB UNIT]

REF. NO.	ORDER NO.	DESCRIPTION	
IC1	1110002780	S.IC	MC3371DR
IC2	1130003710	S.IC	TC4S71F (TE85R)
IC3	1110001971	S.IC	μPC1676G-T1
IC4	1130005810	S.IC	BU4094BF-T1
IC5	1130003780	S.IC	TC4S81F (TE85R)
IC6	1130003780	S.IC	TC4S81F (TE85R)
IC7	1130003780	S.IC	TC4S81F (TE85R)
IC8	1130005700	S.IC	M58780FP
IC9	1150001090	IC	SC-1145
IC10	1180000800	S.IC	S-81350HG-KD-T1
Q1	1530002280	S.TRANSISTOR	2SC4081 T107 S
Q2	1530002020	S.TRANSISTOR	2SC3770-3-TA
Q3	1530002580	S.TRANSISTOR	2SC4403-3-TR
Q4	1590000740	S.TRANSISTOR	FMA4 T148
Q5	1590000720	S.TRANSISTOR	DTA144EU T107
Q6	1530002570	S.TRANSISTOR	2SC4405-3-TR
Q7	1590001180	S.TRANSISTOR	XP1210(TX)
Q9	1590001470	S.TRANSISTOR	UN9213(TX)
Q10	1590000660	S.TRANSISTOR	DTC144TU T107
Q11	1590001470	S.TRANSISTOR	UN9213(TX)
Q12	1590001470	S.TRANSISTOR	UN9213(TX)
Q13	1590000880	S.TRANSISTOR	DTA114YU T107
Q14	1590000430	S.TRANSISTOR	DTC144EU T107
Q15	1530003010	S.TRANSISTOR	2SC4117-GR (TE85R)
Q16	1530003010	S.TRANSISTOR	2SC4117-GR (TE85R)
Q17	1530002280	S.TRANSISTOR	2SC4081 T107 S
Q18	1530002920	S.TRANSISTOR	2SC4226-T2 R25
Q19	1530002920	S.TRANSISTOR	2SC4226-T2 R25
Q20	1530002920	S.TRANSISTOR	2SC4226-T2 R25
Q21	1530002920	S.TRANSISTOR	2SC4226-T2 R25
Q22	1530002920	S.TRANSISTOR	2SC4226-T2 R25
Q23	1590000660	S.TRANSISTOR	DTC144TU T107
Q24	1530002280	S.TRANSISTOR	2SC4081 T107 S
Q25	1510000620	S.TRANSISTOR	2SA1578 T107 S
Q26	1530002280	S.TRANSISTOR	2SC4081 T107 S
Q27	1510000620	S.TRANSISTOR	2SA1578 T107 S
Q28	1530002280	S.TRANSISTOR	2SC4081 T107 S
Q29	1520000200	S.TRANSISTOR	2SB798-T2 DK
Q30	1530002280	S.TRANSISTOR	2SC4081 T107 S
Q31	1520000080	TRANSISTOR	2SB909M R
Q32	1590001160	S.TRANSISTOR	XP1401-(TX).AB
Q33	1530002280	S.TRANSISTOR	2SC4081 T107 S
Q34	1510000620	S.TRANSISTOR	2SA1578 T107 S
Q35	1510000620	S.TRANSISTOR	2SA1578 T107 S
D1	1790000980	S.DIODE	MA742(TX)
D2	1790000860	S.DIODE	MA133(TX)
D3	1790000850	S.DIODE	MA132WK(TX)
D4	1790000450	S.DIODE	MA862(TX)
D5	1790000620	S.DIODE	MA77(TW)
D6	1790000620	S.DIODE	MA77(TW)
D7	1790000450	S.DIODE	MA862(TX)
D8	1790000620	S.DIODE	MA77(TW)
D9	1790000620	S.DIODE	MA77(TW)
D10	1790000850	S.DIODE	MA132WK(TX)
D11	1790000450	S.DIODE	MA862(TX)
D12	1720000360	S.DIODE	HSU88TRF
D13	1790000450	S.DIODE	MA862(TX)
D14	1790000590	S.DIODE	MA110(TW)
D15	1790000590	S.DIODE	MA110(TW)
D16	1750000160	S.DIODE	DA114 T107
D17	1750000160	S.DIODE	DA114 T107
D18	1790000590	S.DIODE	MA110(TW)
D19	1180000060	S.DIODE	DAN202U T107
D20	1720000360	S.DIODE	HSU88TRF
D21	1790000620	S.DIODE	MA77(TW)
F11	2020000550	CERAMIC	CFUM455E
F12	2010001230	FILTER	35M15B 35.8000M (FL-152)
X1	8070000100	DISCRI	CDBM455C18
X2	8050007220	XTAL	CR-328 35.34510MHz

[RFB UNIT]

REF. NO.	ORDER NO.	DESCRIPTION		
X3	8050007230	XTAL	CR-329	12.80000MHz
L1	8150003210	COIL	LS-319	
L2	8200001640	S.COIL	ELJNC 10NK-F	
L3	8200001640	S.COIL	ELJNC 10NK-F	
L4	8200001640	S.COIL	ELJNC 10NK-F	
L5	8110001520	COIL	LA-232	
L6	8110001520	COIL	LA-232	
L7	8110002130	COIL	LA-383	
L8	8110002130	COIL	LA-383	
L9	8110001520	COIL	LA-232	
L10	8110001980	COIL	LA-222	
L11	8110001980	COIL	LA-222	
L12	8200001060	S.COIL	MLF2012D 47NM-T	
L13	8200001750	S.COIL	ELJNC 15NK-F	
L15	8200001750	S.COIL	ELJNC 15NK-F	
L16	8200001750	S.COIL	ELJNC 15NK-F	
L18	8200001520	S.COIL	MLF2012D R82K-T	
L19	8200001940	S.COIL	ELJNC 27NK-F	
R1	7030003540	S.RESISTOR	ERJ3GEYJ 882 V (6.8 kΩ)	
R4	7030003340	S.RESISTOR	ERJ3GEYJ 151 V (150 Ω)	
R5	7310003720	S.TRIMMER	EVM-1XSX50 B23 (202)	
R6	7030003520	S.RESISTOR	ERJ3GEYJ 472 V (4.7 kΩ)	
R7	7030003460	S.RESISTOR	ERJ3GEYJ 152 V (1.5 kΩ)	
R8	7030003400	S.RESISTOR	ERJ3GEYJ 471 V (470 Ω)	
R9	7030003560	S.RESISTOR	ERJ3GEYJ 103 V (10 kΩ)	
R10	7030003750	S.RESISTOR	ERJ3GEYJ 394 V (390 kΩ)	
R11	7030003520	S.RESISTOR	ERJ3GEYJ 472 V (4.7 kΩ)	
R12	7030003800	S.RESISTOR	ERJ3GEYJ 105 V (1 MΩ)	
R13	7030003680	S.RESISTOR	ERJ3GEYJ 104 V (100 kΩ)	
R14	7030003680	S.RESISTOR	ERJ3GEYJ 154 V (100 kΩ)	
R15	7030003690	S.RESISTOR	ERJ3GEYJ 124 V (120 kΩ)	
R16	7030003360	S.RESISTOR	ERJ3GEYJ 221 V (220 Ω)	
R17	7030003670	S.RESISTOR	ERJ3GEYJ 823 V (82 kΩ)	
R18	7030003400	S.RESISTOR	ERJ3GEYJ 471 V (470 Ω)	
R19	7030003460	S.RESISTOR	ERJ3GEYJ 152 V (1.5 kΩ)	
R20	7030003440	S.RESISTOR	ERJ3GEYJ 102 V (1 kΩ)	
R21	7030003660	S.RESISTOR	ERJ3GEYJ 683 V (68 kΩ)	
R22	7030003700	S.RESISTOR	ERJ3GEYJ 154 V (100 kΩ)	
R23	7030003520	S.RESISTOR	ERJ3GEYJ 472 V (4.7 kΩ)	
R24	7030003420	S.RESISTOR	ERJ3GEYJ 681 V (680 Ω)	
R27	7030003520	S.RESISTOR	ERJ3GEYJ 472 V (4.7 kΩ)	
R29	7030003520	S.RESISTOR	ERJ3GEYJ 472 V (4.7 kΩ)	
R30	7030003520	S.RESISTOR	ERJ3GEYJ 472 V (4.7 kΩ)	
R31	7030003520	S.RESISTOR	ERJ3GEYJ 472 V (4.7 kΩ)	
R32	7030003520	S.RESISTOR	ERJ3GEYJ 472 V (4.7 kΩ)	
R34	7030003440	S.RESISTOR	ERJ3GEYJ 102 V (1 kΩ)	
R35	7030003680	S.RESISTOR	ERJ3GEYJ 104 V (100 kΩ)	
R36	7030003560	S.RESISTOR	ERJ3GEYJ 103 V (10 kΩ)	
R37	7030003620	S.RESISTOR	ERJ3GEYJ 333 V (33 kΩ)	
R38	7310003580	S.TRIMMER	EVM-1XSX50 B15 (104)	
R39	7030003700	S.RESISTOR	ERJ3GEYJ 154 V (150 kΩ)	
R40	7030003680	S.RESISTOR	ERJ3GEYJ 104 V (100 kΩ)	
R41	7030003680	S.RESISTOR	ERJ3GEYJ 104 V (100 kΩ)	
R42	7030003720	S.RESISTOR	ERJ3GEYJ 224 V (220 kΩ)	
R43	7030003500	S.RESISTOR	ERJ3GEYJ 332 V (3.3 kΩ)	
R44	7310003810	S.TRIMMER	EVM-1XSX50 B14 (103)	
R45	7030003560	S.RESISTOR	ERJ3GEYJ 103 V (10 kΩ)	
R47	7030003680	S.RESISTOR	ERJ3GEYJ 104 V (100 kΩ)	
R48	7030003680	S.RESISTOR	ERJ3GEYJ 104 V (100 kΩ)	
R49	7030003720	S.RESISTOR	ERJ3GEYJ 224 V (220 kΩ)	
R51	7030003800	S.RESISTOR	ERJ3GEYJ 105 V (1 MΩ)	
R52	7510000430	S.THERMISTOR	TN20-3K202LT	
R53	7030003520	S.RESISTOR	ERJ3GEYJ 472 V (4.7 kΩ)	
R54	7030003320	S.RESISTOR	ERJ3GEYJ 101 V (100 Ω)	
R55	7030003470	S.RESISTOR	ERJ3GEYJ 182 V (1.8 kΩ)	
R56	7030003450	S.RESISTOR	ERJ3GEYJ 122 V (1.2 kΩ)	
R58	7030003520	S.RESISTOR	ERJ3GEYJ 472 V (4.7 kΩ)	
R59	7030003520	S.RESISTOR	ERJ3GEYJ 472 V (4.7 kΩ)	
R60	7030003680	S.RESISTOR	ERJ3GEYJ 104 V (100 kΩ)	
R61	7030003400	S.RESISTOR	ERJ3GEYJ 471 V (470 Ω)	
R62	7030003660	S.RESISTOR	ERJ3GEYJ 683 V (68 kΩ)	
R63	7030003440	S.RESISTOR	ERJ3GEYJ 102 V (1 kΩ)	

S.=Surface mount

[RFB UNIT]

REF. NO.	ORDER NO.	DESCRIPTION	
R64	7030003540	S.RESISTOR	ERJ3GEYJ 882 V (6.8 kΩ)
R65	7030003600	S.RESISTOR	ERJ3GEYJ 223 V (22 kΩ)
R66	7030003320	S.RESISTOR	ERJ3GEYJ 101 V (100 Ω)
R68	7030003620	S.RESISTOR	ERJ3GEYJ 333 V (33 kΩ)
R69	7030003320	S.RESISTOR	ERJ3GEYJ 101 V (100 Ω)
R70	7030003520	S.RESISTOR	ERJ3GEYJ 472 V (4.7 kΩ)
R71	7030003210	S.RESISTOR	ERJ3GEYJ 120 V (12 Ω)
R72	7030003470	S.RESISTOR	ERJ3GEYJ 182 V (1.8 kΩ)
R73	7030003520	S.RESISTOR	ERJ3GEYJ 472 V (4.7 kΩ)
R74	7030003320	S.RESISTOR	ERJ3GEYJ 101 V (100 Ω)
R75	7030003520	S.RESISTOR	ERJ3GEYJ 472 V (4.7 kΩ)
R76	7030003580	S.RESISTOR	ERJ3GEYJ 153 V (15 kΩ)
R77	7030000260	S.RESISTOR	MCR10EZHZ 100 Ω (101)
R78	7030003560	S.RESISTOR	ERJ3GEYJ 103 V (10 kΩ)
R79	7030003400	S.RESISTOR	ERJ3GEYJ 882 V (88 kΩ)
R80	7030003330	S.RESISTOR	ERJ3GEYJ 121 V (120 Ω)
R81	7030003550	S.RESISTOR	ERJ3GEYJ 822 V (8.2 kΩ)
R82	7030003520	S.RESISTOR	ERJ3GEYJ 472 V (4.7 kΩ)
R83	7030003540	S.RESISTOR	ERJ3GEYJ 103 V (10 kΩ)
R84	7510000180	S.THERMISTOR	TN20-3S223LT
R85	7030003570	S.RESISTOR	ERJ3GEYJ 123 V (12 kΩ)
R86	7310003510	S.TRIMMER	RV-222 (RH03AVAS4) 473
R87	7030003660	S.RESISTOR	ERJ3GEYJ 883 V (88 kΩ)
R88	7030003650	S.RESISTOR	ERJ3GEYJ 563 V (56 kΩ)
R89	7030003560	S.RESISTOR	ERJ3GEYJ 103 V (10 kΩ)
R90	7030003560	S.RESISTOR	ERJ3GEYJ 103 V (10 kΩ)
R91	7030003560	S.RESISTOR	ERJ3GEYJ 103 V (10 kΩ)
R92	7030003520	S.RESISTOR	ERJ3GEYJ 472 V (4.7 kΩ)
R93	7510000200	S.THERMISTOR	TN20-3U473LT
R94	7030003440	S.RESISTOR	ERJ3GEYJ 102 V (1 kΩ)
R95	7030003540	S.RESISTOR	ERJ3GEYJ 882 V (8.8 kΩ)
R96	7030003670	S.RESISTOR	ERJ3GEYJ 823 V (82 kΩ)
R97	7030003550	S.RESISTOR	ERJ3GEYJ 822 V (8.2 kΩ)
R98	7030003600	S.RESISTOR	ERJ3GEYJ 223 V (22 kΩ)
R99	7030003770	S.RESISTOR	ERJ3GEYJ 564 V (560 kΩ)
R100	7030003520	S.RESISTOR	ERJ3GEYJ 472 V (4.7 kΩ)
R101	7030003560	S.RESISTOR	ERJ3GEYJ 103 V (10 kΩ)
R102	7030003500	S.RESISTOR	ERJ3GEYJ 332 V (3.3 kΩ)
R103	7030003400	S.RESISTOR	ERJ3GEYJ 471 V (470 Ω)
R104	7030003520	S.RESISTOR	ERJ3GEYJ 472 V (4.7 kΩ)
R106	7030003520	S.RESISTOR	ERJ3GEYJ 472 V (4.7 kΩ)
R107	7030003520	S.RESISTOR	ERJ3GEYJ 472 V (4.7 kΩ)
R108	7030003370	S.RESISTOR	ERJ3GEYJ 271 V (270 Ω)
R109	7030003560	S.RESISTOR	ERJ3GEYJ 103 V (10 kΩ)
R110	7030003560	S.RESISTOR	ERJ3GEYJ 103 V (10 kΩ)
R111	7030003300	S.RESISTOR	ERJ3GEYJ 880 V (88 Ω)
R112	7510000430	S.THERMISTOR	TN20-3K202LT
R113	7030003440	S.RESISTOR	ERJ3GEYJ 102 V (1 kΩ)
R114	7030003580	S.RESISTOR	ERJ3GEYJ 153 V (15 kΩ)
C1	4030008920	S.CERAMIC	C1808 JB 1C 473K-T-A
C2	4030008920	S.CERAMIC	C1808 JB 1C 473K-T-A
C4	4030008920	S.CERAMIC	C1808 JB 1C 473K-T-A
C5	4030008630	S.CERAMIC	C1808 JF 1C 104Z-T-A
C6	4030007040	S.CERAMIC	C1808 CH 1H 180J-T-A
C7	4030008920	S.CERAMIC	C1808 JB 1C 473K-T-A
C8	4030007090	S.CERAMIC	C1808 CH 1H 470J-T-A
C9	4030008660	S.CERAMIC	C1808 JB 1H 102K-T-A
C10	4030008850	S.CERAMIC	C1808 JB 1H 471K-T-A
C11	4030008850	S.CERAMIC	C1808 JB 1H 471K-T-A
C12	4030008850	S.CERAMIC	C1808 JB 1H 471K-T-A
C13	4030008660	S.CERAMIC	C1808 JB 1H 102K-T-A
C14	4030008690	S.CERAMIC	C1808 SL 1H 330J-T-A
C15	4030008660	S.CERAMIC	C1808 JB 1H 102K-T-A
C16	4030008960	S.CERAMIC	C2012 JB 1C 104K-T-A
C17	4030008660	S.CERAMIC	C1808 JB 1H 102K-T-A
C18	4030008660	S.CERAMIC	C1808 JB 1H 102K-T-A
C19	4030008900	S.CERAMIC	C1808 JB 1E 103K-T-A
C20	4030008900	S.CERAMIC	C1808 JB 1E 103K-T-A
C21	4030008630	S.CERAMIC	C1808 SL 1H 150J-T-A
C22	4030008660	S.CERAMIC	C1808 JB 1H 102K-T-A
C23	4030008660	S.CERAMIC	C1808 SL 1H 220J-T-A
C24	4030009570	S.CERAMIC	C1808 CH 1H 0R3B-T-A
C25	4030008610	S.CERAMIC	C1808 SL 1H 100D-T-A
C27	4030009560	S.CERAMIC	C1808 CH 1H R75B-T-A

[RFB UNIT]

REF. NO.	ORDER NO.	DESCRIPTION	
C28	4030009560	S.CERAMIC	C1808 CH 1H R75B-T-A
C29	4030008650	S.CERAMIC	C1808 JB 1H 471K-T-A
C30	4030008520	S.CERAMIC	C1808 SL 1H 010C-T-A
C31	4030008600	S.CERAMIC	C1808 SL 1H 090D-T-A
C32	4030008530	S.CERAMIC	C1808 SL 1H 020C-T-A
C34	4030008850	S.CERAMIC	C1808 JB 1H 471K-T-A
C35	4030008660	S.CERAMIC	C1808 JB 1H 102K-T-A
C36	4030008650	S.CERAMIC	C1808 JB 1H 471K-T-A
C37	4030008660	S.CERAMIC	C1808 JB 1H 102K-T-A
C38	4030008650	S.CERAMIC	C1808 JB 1H 471K-T-A
C39	4030008590	S.CERAMIC	C1808 SL 1H 080D-T-A
C40	4030008580	S.CERAMIC	C1808 SL 1H 070D-T-A
C41	4030008560	S.CERAMIC	C1808 SL 1H 050C-T-A
C42	4030008590	S.CERAMIC	C1808 SL 1H 080D-T-A
C43	4030008610	S.CERAMIC	C1808 SL 1H 100D-T-A
C44	4030008590	S.CERAMIC	C1808 SL 1H 080D-T-A
C46	4030008650	S.CERAMIC	C1808 JB 1H 471K-T-A
C47	4030008520	S.CERAMIC	C1808 SL 1H 010C-T-A
C48	4030008510	S.CERAMIC	C1808 SL 1H 0R5C-T-A
C49	4030008520	S.CERAMIC	C1808 SL 1H 010C-T-A
C50	4030008920	S.CERAMIC	C1808 JB 1C 473K-T-A
C51	4030008650	S.CERAMIC	C1808 JB 1H 471K-T-A
C52	4610001850	S.TRIMMER	TZBX4R200BA110T00
C53	4030007030	S.CERAMIC	C1808 CH 1H 150J-T-A
C54	4030007120	S.CERAMIC	C1808 CH 1H 820J-T-A
C55	4030007130	S.CERAMIC	C1808 CH 1H 101J-T-A
C56	4030008650	S.CERAMIC	C1808 JB 1H 471K-T-A
C57	4030008650	S.CERAMIC	C1808 JB 1H 471K-T-A
C59	4030008580	S.CERAMIC	C1808 SL 1H 070D-T-A
C60	4030008650	S.CERAMIC	C1808 JB 1H 471K-T-A
C61	4030008630	S.CERAMIC	C1808 JF 1C 104Z-T-A
C62	4030008650	S.CERAMIC	C1808 JB 1H 471K-T-A
C63	4030008650	S.CERAMIC	C1808 JB 1H 471K-T-A
C64	4030008520	S.CERAMIC	C1808 SL 1H 010C-T-A
C65	4550000530	S.TANTALUM	TESVA 1V 104M1-8L
C66	4030008650	S.CERAMIC	C1808 JB 1H 471K-T-A
C67	4030008610	S.CERAMIC	C1808 SL 1H 100D-T-A
C68	4030008650	S.CERAMIC	C1808 JB 1H 471K-T-A
C69	4030008580	S.CERAMIC	C1808 SL 1H 070D-T-A
C72	4030008650	S.CERAMIC	C1808 JB 1H 471K-T-A
C73	4030008570	S.CERAMIC	C1808 SL 1H 060D-T-A
C74	4030008650	S.CERAMIC	C1808 JB 1H 471K-T-A
C75	4030008650	S.CERAMIC	C1808 JB 1H 471K-T-A
C76	4030008600	S.CERAMIC	C1808 SL 1H 090D-T-A
C77	4030008650	S.CERAMIC	C1808 JB 1H 471K-T-A
C78	4030008600	S.CERAMIC	C1808 SL 1H 090D-T-A
C79	4030008650	S.CERAMIC	C1808 JB 1H 471K-T-A
C80	4030008650	S.CERAMIC	C1808 JB 1H 471K-T-A
C81	4510004430	S.ELECTROLITIC	ECEV1CV220WR
C84	4030008660	S.CERAMIC	C1808 JB 1H 102K-T-A
C85	4030008650	S.CERAMIC	C1808 JB 1H 471K-T-A
C86	4030008650	S.CERAMIC	C1808 JB 1H 471K-T-A
C87	4030008650	S.CERAMIC	C1808 JB 1H 471K-T-A
C88	4030008900	S.CERAMIC	C1808 JB 1E 103K-T-A
C89	4030008650	S.CERAMIC	C1808 JB 1H 471K-T-A
C90	4510004430	S.ELECTROLITIC	ECEV1CV220WR
C100	4030008650	S.CERAMIC	C1808 JB 1H 471K-T-A
C101	4030008650	S.CERAMIC	C1808 JB 1H 471K-T-A
C102	4510004420	S.ELECTROLITIC	ECEV0JV330SR
C103	4030008650	S.CERAMIC	C1808 JB 1H 471K-T-A
C104	4550000550	S.TANTALUM	TESVA 1V 224M1-8L
C105	4030008650	S.CERAMIC	C1808 JB 1H 471K-T-A
C106	4550000550	S.TANTALUM	TESVA 1V 224M1-8L
C107	4030008650	S.CERAMIC	C1808 JB 1H 471K-T-A
C108	4550000550	S.TANTALUM	TESVA 1V 224M1-8L
C109	4030008650	S.CERAMIC	C1808 JB 1H 471K-T-A
C110	4550003040	S.TANTALUM	TEMSVB2 0J 106M-8L
C111	4030008650	S.CERAMIC	C1808 JB 1H 471K-T-A
C112	4030008650	S.CERAMIC	C1808 JB 1H 471K-T-A
C113	4030008650	S.CERAMIC	C1808 JB 1H 471K-T-A
C114	4030008650	S.CERAMIC	C1808 JB 1H 471K-T-A
C115	4030008650	S.CERAMIC	C1808 JB 1H 471K-T-A
C116	4030008650	S.CERAMIC	C1808 JB 1H 471K-T-A
C117	4550003030	S.TANTALUM	TEMSVA 0J 475M-8L
C118	4030008650	S.CERAMIC	C1808 JB 1H 471K-T-A
C119	4030008650	S.CERAMIC	C1808 JB 1H 471K-T-A

S.=Surface mount

[RFB UNIT]

REF. NO.	ORDER NO.	DESCRIPTION	
C120	4030008920	S.CERAMIC	C1808 JB 1C 473K-T-A
C121	4030008850	S.CERAMIC	C1808 JB 1H 471K-T-A
C122	4550000870	S.TANTALUM	TESVB2 0G 106M-8L
C123	4550000870	S.TANTALUM	TESVB2 0G 106M-8L
C124	4030006860	S.CERAMIC	C1808 JB 1H 102K-T-A
C125	4550003030	S.TANTALUM	TEMSVA 0J 475M-8L
C126	4030006860	S.CERAMIC	C1808 JB 1H 102K-T-A
C127	4030006850	S.CERAMIC	C1808 JB 1H 471K-T-A
C128	4030006850	S.CERAMIC	C1808 JB 1H 471K-T-A
C129	4030006850	S.CERAMIC	C1808 JB 1C 473K-T-A
C130	4030006850	S.CERAMIC	C1808 JB 1H 471K-T-A
C132	4030008920	S.CERAMIC	C1808 JB 1C 473K-T-A
C133	4030006850	S.CERAMIC	C1808 JB 1H 471K-T-A
C134	4030006850	S.CERAMIC	C1808 JB 1C 473K-T-A
C135	4030006850	S.CERAMIC	C1808 JB 1H 471K-T-A
C136	4030006860	S.CERAMIC	C1808 JB 1H 102K-T-A
C138	4030006850	S.CERAMIC	C1808 JB 1H 471K-T-A
C139	4030006850	S.CERAMIC	C1808 JB 1H 471K-T-A
C140	4030006860	S.CERAMIC	C1808 JB 1H 102K-T-A
C141	4030009560	S.CERAMIC	C1808 CH 1H R75B-T-A
C142	4030009540	S.CERAMIC	C1808 CH 1H 1R5B-T-A
C143	4030008920	S.CERAMIC	C1808 JB 1C 473K-T-A
C144	4030006850	S.CERAMIC	C1808 JB 1H 471K-T-A
C145	4030006850	S.CERAMIC	C1808 JB 1H 471K-T-A
C146	4030006850	S.CERAMIC	C1808 JB 1H 471K-T-A
C147	4030006850	S.CERAMIC	C1808 JB 1H 471K-T-A
C148	4030006850	S.CERAMIC	C1808 JB 1H 471K-T-A
C149	4030006850	S.CERAMIC	C1808 JB 1H 471K-T-A
C150	4030006850	S.CERAMIC	C1808 JB 1H 471K-T-A
C151	4030006850	S.CERAMIC	C1808 JB 1H 471K-T-A
C152	4030006850	S.CERAMIC	C1808 JB 1H 471K-T-A
C154	4030006850	S.CERAMIC	C1808 JB 1H 471K-T-A
C155	4030006850	S.CERAMIC	C1808 JB 1H 471K-T-A
C156	4030006830	S.CERAMIC	C1808 SL 1H 150J-T-A
C157	4030006860	S.CERAMIC	C1808 SL 1H 220J-T-A
C158	4030006880	S.CERAMIC	C1808 JB 1H 472K-T-A
C159	4030008920	S.CERAMIC	C1808 JB 1C 473K-T-A
C160	4030006460	S.CERAMIC	C2012 SL 1H 102J-T-A
C161	4030006590	S.CERAMIC	C1808 SL 1H 080D-T-A
W1	7030003860	S.JUMPER	ERJ3GE JPW V
W2	7030003860	S.JUMPER	ERJ3GE JPW V
W3	7030003860	S.JUMPER	ERJ3GE JPW V
W4	7030003860	S.JUMPER	ERJ3GE JPW V
W5	7030003860	S.JUMPER	ERJ3GE JPW V
W11	7030003860	S.JUMPER	ERJ3GE JPW V
W12	7030003860	S.JUMPER	ERJ3GE JPW V
W13	9010936006	WIRE	74/98/014/X98/X98
W14	9016095084	WIRE	72/98/012/X98/X98
W15	7030003860	S.JUMPER	ERJ3GE JPW V
W16	9016095086	WIRE	72/98/007/X98/X98
W17	9033610130	WIRE	72/98/008/X98/X98
J1	8510012710	CONNECTOR	53020-1210
J2	8510012680	CONNECTOR	53020-0810
EP1	0910033035	PCB	B 3237E
EP2	9029702902	TUBE	lrax tube 0.7d L=4MM
EP3	9029703901	TUBE	lrax tube 0.7d L=5MM
EP4	9029802001	TUBE	lrax tube 0.7d L=9MM
MP1	8510007390	CASE	936 Unit case
MP2	8110004520	COVER	936 Unit T Cover
MP3	8110004530	COVER	936 Unit B Cover
MP4	8410001720	HEATSINK	936 Unit Heatshink
MP5	8510007400	PLATE	936 Module Shield
MP6	8810006920	SCREW	PH No. 0 M2 X5 NI
MP8	8310027060	LABEL	Unit steaker (T) 440M
MP9	8930004081	SPRING	Ground contact (B)-1

[440 RFA BOARD]

REF. NO.	ORDER NO.	DESCRIPTION	
Q1	1530002640	S.TRANSISTOR	2SC3583 R34-T2B
Q2	1530002640	S.TRANSISTOR	2SC3583 R34-T2B
D1	1790000820	S.DIODE	MA77(TW)
D2	1790000820	S.DIODE	MA77(TW)
R1	7030003280	S.RESISTOR	ERJ3GEYJ 470 V (47 Ω)
R2	7030003400	S.RESISTOR	ERJ3GEYJ 471 V (470 Ω)
R3	7030003280	S.RESISTOR	ERJ3GEYJ 470 V (47 Ω)
R4	7030003620	S.RESISTOR	ERJ3GEYJ 333 V (33 kΩ)
R5	7030003280	S.RESISTOR	ERJ3GEYJ 470 V (47 Ω)
R6	7030003620	S.RESISTOR	ERJ3GEYJ 333 V (33 kΩ)
R7	7030003520	S.RESISTOR	ERJ3GEYJ 472 V (4.7 kΩ)
R8	7030003520	S.RESISTOR	ERJ3GEYJ 472 V (4.7 kΩ)
C1	4030006850	S.CERAMIC	C1808 JB 1H 471K-T-A
C2	4030006860	S.CERAMIC	C1808 JB 1H 102K-T-A
C3	4030006860	S.CERAMIC	C1808 JB 1H 102K-T-A
C4	4030006820	S.CERAMIC	C1808 SL 1H 120J-T-A
C5	4030006860	S.CERAMIC	C1808 JB 1H 102K-T-A
C6	4030006860	S.CERAMIC	C1808 JB 1H 102K-T-A
C7	4030006860	S.CERAMIC	C1808 JB 1H 102K-T-A
EP1	0910036421	PCB	B 3500A
EP2	6510008580	LEADFRAM	PT2.0-0.7-16.5 (K)

[440 RFB BOARD]

REF. NO.	ORDER NO.	DESCRIPTION	
L1	6190000320	COIL	5HW-F367PN-157A
L2	6190000320	COIL	5HW-F367PN-157A
EP1	0910020033	PCB	B 1916C
MP1	8930004081	SPRING	Ground contact (B)-1

[440 VCO BOARD]

REF. NO.	ORDER NO.	DESCRIPTION	
Q1	1530000371	S.TRANSISTOR	2SC3356 R25-T2B
Q2	1530000371	S.TRANSISTOR	2SC3356 R25-T2B
D1	1720000370	S.VARICAP	HVU350TRF
D2	1790000820	S.DIODE	MA77(TW)
L1	6200001520	S.COIL	MLF2012D R82K-T
L2	6110001990	COIL	LA-223
R1	7030003360	S.RESISTOR	ERJ3GEYJ 221 V (220 Ω)
R2	7030003320	S.RESISTOR	ERJ3GEYJ 101 V (100 Ω)
R3	7030003550	S.RESISTOR	ERJ3GEYJ 822 V (8.2 kΩ)
R4	7030003360	S.RESISTOR	ERJ3GEYJ 221 V (220 Ω)
R5	7030003550	S.RESISTOR	ERJ3GEYJ 822 V (8.2 kΩ)
R6	7030003850	S.RESISTOR	ERJ3GEYJ 563 V (56 kΩ)
R7	7030003460	S.RESISTOR	ERJ3GEYJ 152 V (1.5 kΩ)
R8	7030003320	S.RESISTOR	ERJ3GEYJ 101 V (100 Ω)
R9	7030003720	S.RESISTOR	ERJ3GEYJ 224 V (220 kΩ)
C1	4030006860	S.CERAMIC	C1808 JB 1H 102K-T-A
C2	4030006590	S.CERAMIC	C1808 SL 1H 080D-T-A
C3	4610001270	S.TRIMMER	ECR-JA010 A12W
C4	4030006530	S.CERAMIC	C1808 SL 1H 020C-T-A

S.=Surface mount

[440 VCO BOARD]

REF. NO.	ORDER NO.	DESCRIPTION	
C5	4030006520	S.CERAMIC	C1608 SL 1H 010C-T-A
C6	4030006520	S.CERAMIC	C1608 SL 1H 010C-T-A
C7	4030006860	S.CERAMIC	C1608 JB 1H 102K-T-A
C8	4030006860	S.CERAMIC	C1608 JB 1H 102K-T-A
C9	4030006510	S.CERAMIC	C1608 SL 1H 0R5C-T-A
C10	4030006560	S.CERAMIC	C1608 SL 1H 050C-T-A
C11	4030006850	S.CERAMIC	C1608 JB 1H 471K-T-A
C12	4030006860	S.CERAMIC	C1608 JB 1H 102K-T-A
C14	4030006710	S.CERAMIC	C1608 SL 1H 470J-T-A
W1	6910001230	CONNECTOR	Harness terminl
W2	6910001230	CONNECTOR	Harness terminl
W3	6910001230	CONNECTOR	Harness terminl
W4	6910001230	CONNECTOR	Harness terminl
W5	6910001230	CONNECTOR	Harness terminl
EP1	0910035270	PCB	B 3499
MP1	8510005940	CASE	752 VCO case

[RFC UNIT]

REF. NO.	ORDER NO.	DESCRIPTION	
IC1	1110002780	S.IC	MC3371DR
IC2	1150001120	IC	SC1197
IC3	1150001100	S.IC	M66321GP-30AD
IC4	1130003760	S.IC	TC4S81F (TE85R)
IC5	1130003760	S.IC	TC4S81F (TE85R)
IC6	1130003760	S.IC	TC4S81F (TE85R)
IC7	1140001890	S.IC	MB1502PF-G-BND
IC8	1180000800	S.IC	S-81350HG-KD-T1
Q1	1560000550	S.FET	2SK882-Y (TE85R)
Q2	1530002940	S.TRANSISTOR	2SC4228-T2 R44
Q3	1530002180	S.TRANSISTOR	2SC4095-T2
Q4	1530002180	S.TRANSISTOR	2SC4095-T2
Q5	1540000350	S.TRANSISTOR	2SD2216-S(TX)
Q6	1510000830	S.TRANSISTOR	2SA1587-GR (TE85R)
Q7	1530003010	S.TRANSISTOR	2SC4117-GR (TE85R)
Q8	1530002920	S.TRANSISTOR	2SC4226-T2 R25
Q9	1530002920	S.TRANSISTOR	2SC4226-T2 R25
Q10	1590000430	S.TRANSISTOR	DTC144EU T107
Q11	1590000430	S.TRANSISTOR	DTC144EU T107
Q12	1590001180	S.TRANSISTOR	XP1210(TX)
Q14	1590001140	S.TRANSISTOR	UN9210(TX)
Q15	1590001470	S.TRANSISTOR	UN9213(TX)
Q16	1520000430	S.TRANSISTOR	2SB1462-R(TX)
Q17	1540000350	S.TRANSISTOR	2SD2216-S(TX)
Q18	1590000860	S.TRANSISTOR	DTA114YU T107
Q19	1590000430	S.TRANSISTOR	DTC144EU T107
Q20	1530002920	S.TRANSISTOR	2SC4226-T2 R25
Q21	1530002920	S.TRANSISTOR	2SC4226-T2 R25
Q22	1530002920	S.TRANSISTOR	2SC4226-T2 R25
Q23	1530002280	S.TRANSISTOR	2SC4081 T107 S
Q24	1520000200	S.TRANSISTOR	2SB798-T2 DK
Q25	1520000200	S.TRANSISTOR	2SB798-T2 DK
Q26	1530002280	S.TRANSISTOR	2SC4081 T107 S
Q27	1590000620	S.TRANSISTOR	FMS1 T148
Q28	1590000660	S.TRANSISTOR	DTC144TU T107
Q29	1530002280	S.TRANSISTOR	2SC4081 T107 S
Q30	1510000620	S.TRANSISTOR	2SA1578 T107 S
Q31	1530002280	S.TRANSISTOR	2SC4081 T107 S
Q32	1510000620	S.TRANSISTOR	2SA1578 T107 S
Q33	1540000350	S.TRANSISTOR	2SD2216-S(TX)
Q34	1510000670	S.TRANSISTOR	2SA1588-GR (TE85R)
Q35	1530002280	S.TRANSISTOR	2SC4081 T107 S
Q36	1520000200	S.TRANSISTOR	2SB798-T2 DK
Q37	1530003010	S.TRANSISTOR	2SC4117-GR (TE85R)

[RFC UNIT]

REF. NO.	ORDER NO.	DESCRIPTION	
D1	1790000980	S.DIODE	MA742(TX)
D2	1790000860	S.DIODE	MA133(TX)
D3	1160000060	S.DIODE	DAN202U T107
D4	1790000840	S.VARICAP	MA363B(TX)
D5	1790000450	S.DIODE	MA882(TX)
D6	1790000450	S.DIODE	MA882(TX)
D7	1790001040	S.ZENER	MA8033-L(TX)
D8	1790000590	S.DIODE	MA110(TW)
D9	1790000810	S.DIODE	MA132A(TX)
D10	1790000820	S.DIODE	MA132K(TX)
D11	1790000590	S.DIODE	MA110(TW)
D12	1790001030	S.DIODE	SB30-03P-TD
D13	1720000360	S.DIODE	HSU88TRF
FI1	2020000550	CERAMIC	CFUM455E
FI2	2010001370	MONOLITH	72M15B2 (FL-165)
FI3	2040000370	DIELECTR	EZF-MC70 BM12
FI4	2040000370	DIELECTR	EZF-MC70 BM12
X1	6070000100	DISCRI	CDBM455C18
X2	6050007950	XTAL	CR-376
X3	6050008750	XTAL	CR-461 12.800000MHz
L2	6200002920	S.COIL	ELJNC R33K-F
L3	6150003830	S.COIL	LS-438
L4	6150003830	S.COIL	LS-438
L5	6150003830	S.COIL	LS-438
L6	6200001520	S.COIL	MLF2012D R82K-T
L7	6110001990	COIL	LA-223
L8	6110001590	COIL	LA-242
L9	6110001990	COIL	LA-223
L10	6110002070	COIL	LA-227
L12	6110002070	COIL	LA-227
L13	6110002110	COIL	LA-382
L14	6110002110	COIL	LA-382
L15	6110001990	COIL	LA-223
L16	6110001980	COIL	LA-222
L17	6110001980	COIL	LA-222
R1	7030003540	S.RESISTOR	ERJ3GEYJ 682 V (6.8 kΩ)
R4	7030003340	S.RESISTOR	ERJ3GEYJ 151 V (150 Ω)
R6	7310003720	S.TRIMMER	EVM-1XSX50 B23 (202)
R7	7030003530	S.RESISTOR	ERJ3GEYJ 562 V (5.6 kΩ)
R8	7030003490	S.RESISTOR	ERJ3GEYJ 272 V (2.7 kΩ)
R9	7030003400	S.RESISTOR	ERJ3GEYJ 471 V (4.7 kΩ)
R10	7030003580	S.RESISTOR	ERJ3GEYJ 103 V (10 kΩ)
R11	7030003520	S.RESISTOR	ERJ3GEYJ 472 V (4.7 kΩ)
R12	7030003750	S.RESISTOR	ERJ3GEYJ 394 V (390 kΩ)
R13	7030003520	S.RESISTOR	ERJ3GEYJ 472 V (4.7 kΩ)
R14	7030003680	S.RESISTOR	ERJ3GEYJ 104 V (100 kΩ)
R15	7030003800	S.RESISTOR	ERJ3GEYJ 105 V (1 MΩ)
R16	7030003670	S.RESISTOR	ERJ3GEYJ 823 V (82 kΩ)
R17	7030003320	S.RESISTOR	ERJ3GEYJ 101 V (100 Ω)
R19	7030003510	S.RESISTOR	ERJ3GEYJ 392 V (3.9 kΩ)
R20	7030003560	S.RESISTOR	ERJ3GEYJ 103 V (10 kΩ)
R21	7030003390	S.RESISTOR	ERJ3GEYJ 391 V (390 Ω)
R22	7030003580	S.RESISTOR	ERJ3GEYJ 153 V (15 kΩ)
R23	7030003520	S.RESISTOR	ERJ3GEYJ 472 V (4.7 kΩ)
R24	7030003380	S.RESISTOR	ERJ3GEYJ 331 V (330 Ω)
R25	7030003520	S.RESISTOR	ERJ3GEYJ 472 V (4.7 kΩ)
R26	7030003580	S.RESISTOR	ERJ3GEYJ 153 V (15 kΩ)
R27	7030003540	S.RESISTOR	ERJ3GEYJ 682 V (6.8 kΩ)
R28	7030003380	S.RESISTOR	ERJ3GEYJ 331 V (330 Ω)
R29	7030003580	S.RESISTOR	ERJ3GEYJ 153 V (15 kΩ)
R30	7030003540	S.RESISTOR	ERJ3GEYJ 682 V (6.8 kΩ)
R31	7030003620	S.RESISTOR	ERJ3GEYJ 333 V (33 kΩ)
R32	7310003580	S.TRIMMER	EVM-1XSX50 B15 (104)
R33	7030003580	S.RESISTOR	ERJ3GEYJ 153 V (15 kΩ)
R34	7030003630	S.RESISTOR	ERJ3GEYJ 393 V (39 kΩ)
R35	7030003800	S.RESISTOR	ERJ3GEYJ 105 V (1 MΩ)
R36	7030003760	S.RESISTOR	ERJ3GEYJ 474 V (470 kΩ)
R37	7030003720	S.RESISTOR	ERJ3GEYJ 224 V (220 kΩ)

S.=Surface mount

[RFC UNIT]

REF. NO.	ORDER NO.	DESCRIPTION
R38	7030003690	S.RESISTOR ERJ3GEYJ 124 V (120 kΩ)
R39	7030003720	S.RESISTOR ERJ3GEYJ 224 V (220 kΩ)
R40	7030003680	S.RESISTOR ERJ3GEYJ 104 V (100 kΩ)
R41	7030003680	S.RESISTOR ERJ3GEYJ 104 V (100 kΩ)
R42	7030003800	S.RESISTOR ERJ3GEYJ 105 V (1 MΩ)
R43	7030003840	S.RESISTOR ERJ3GEYJ 225 V (2.2 MΩ)
R44	7030003610	S.RESISTOR ERJ3GEYJ 273 V (27 kΩ)
R45	7030003560	S.RESISTOR ERJ3GEYJ 103 V (10 kΩ)
R46	7030003640	S.RESISTOR ERJ3GEYJ 473 V (47 kΩ)
R47	7030003680	S.RESISTOR ERJ3GEYJ 104 V (100 kΩ)
R48	7030003680	S.RESISTOR ERJ3GEYJ 104 V (100 kΩ)
R49	7030003570	S.RESISTOR ERJ3GEYJ 123 V (12 kΩ)
R50	7030003580	S.RESISTOR ERJ3GEYJ 103 V (10 kΩ)
R51	7030003570	S.RESISTOR ERJ3GEYJ 123 V (12 kΩ)
R52	7030003490	S.RESISTOR ERJ3GEYJ 272 V (2.7 kΩ)
R53	7030003460	S.RESISTOR ERJ3GEYJ 152 V (1.5 kΩ)
R54	7030003520	S.RESISTOR ERJ3GEYJ 472 V (4.7 kΩ)
R55	7030003520	S.RESISTOR ERJ3GEYJ 472 V (4.7 kΩ)
R56	7030003470	S.RESISTOR ERJ3GEYJ 182 V (1.8 kΩ)
R57	7030003520	S.RESISTOR ERJ3GEYJ 472 V (4.7 kΩ)
R58	7030003470	S.RESISTOR ERJ3GEYJ 182 V (1.8 kΩ)
R59	7030003520	S.RESISTOR ERJ3GEYJ 472 V (4.7 kΩ)
R60	7030003350	S.RESISTOR ERJ3GEYJ 181 V (180 Ω)
R61	7030003400	S.RESISTOR ERJ3GEYJ 471 V (470 Ω)
R62	7030003680	S.RESISTOR ERJ3GEYJ 683 V (68 kΩ)
R63	7030003550	S.RESISTOR ERJ3GEYJ 822 V (8.2 kΩ)
R64	7030003600	S.RESISTOR ERJ3GEYJ 223 V (22 kΩ)
R65	7030003320	S.RESISTOR ERJ3GEYJ 101 V (100 Ω)
R66	7030003360	S.RESISTOR ERJ3GEYJ 221 V (220 Ω)
R67	7030003580	S.RESISTOR ERJ3GEYJ 153 V (15 kΩ)
R68	7030003540	S.RESISTOR ERJ3GEYJ 682 V (6.8 kΩ)
R69	7030003440	S.RESISTOR ERJ3GEYJ 102 V (1 kΩ)
R70	7030003670	S.RESISTOR ERJ3GEYJ 823 V (82 kΩ)
R71	7030003480	S.RESISTOR ERJ3GEYJ 222 V (2.2 kΩ)
R72	7030003720	S.RESISTOR ERJ3GEYJ 224 V (220 kΩ)
R73	7030003600	S.RESISTOR ERJ3GEYJ 223 V (22 kΩ)
R74	7030003320	S.RESISTOR ERJ3GEYJ 101 V (100 Ω)
R75	7030000340	S.RESISTOR MCR10EZHJ 470 Ω (471)
R76	7030003570	S.RESISTOR ERJ3GEYJ 123 V (12 kΩ)
R77	7510000180	S.THERMISTOR TN20-3S223LT
R78	7030003580	S.RESISTOR ERJ3GEYJ 103 V (10 kΩ)
R79	7030003540	S.RESISTOR ERJ3GEYJ 682 V (6.8 kΩ)
R80	7310003510	S.TRIMMER RV-222 (RH03AVAS4)473
R83	7030003580	S.RESISTOR ERJ3GEYJ 103 V (10 kΩ)
R84	7030003580	S.RESISTOR ERJ3GEYJ 103 V (10 kΩ)
R88	7030003580	S.RESISTOR ERJ3GEYJ 103 V (10 kΩ)
R89	7030003520	S.RESISTOR ERJ3GEYJ 472 V (4.7 kΩ)
R90	7030003520	S.RESISTOR ERJ3GEYJ 472 V (4.7 kΩ)
R91	7030003730	S.RESISTOR ERJ3GEYJ 274 V (270 kΩ)
R92	7310003610	S.TRIMMER EVM-1XSX50 B14 (103)
R93	7030003580	S.RESISTOR ERJ3GEYJ 103 V (10 kΩ)
R95	7030003320	S.RESISTOR ERJ3GEYJ 101 V (100 Ω)
R96	7030003340	S.RESISTOR ERJ3GEYJ 151 V (150 Ω)
R97	7030003640	S.RESISTOR ERJ3GEYJ 473 V (47 kΩ)
R98	7030003480	S.RESISTOR ERJ3GEYJ 222 V (2.2 kΩ)
R99	7030003720	S.RESISTOR ERJ3GEYJ 224 V (220 kΩ)
R100	7030003320	S.RESISTOR ERJ3GEYJ 101 V (100 Ω)
R101	7030003580	S.RESISTOR ERJ3GEYJ 103 V (10 kΩ)
R102	7030003500	S.RESISTOR ERJ3GEYJ 332 V (3.3 kΩ)
R103	7030003550	S.RESISTOR ERJ3GEYJ 822 V (8.2 kΩ)
R104	7030003520	S.RESISTOR ERJ3GEYJ 472 V (4.7 kΩ)
R105	7030003380	S.RESISTOR ERJ3GEYJ 331 V (330 Ω)
R106	7030003230	S.RESISTOR ERJ3GEYJ 180 V (18 Ω)
R107	7030003380	S.RESISTOR ERJ3GEYJ 331 V (330 Ω)
R108	7030003600	S.RESISTOR ERJ3GEYJ 223 V (22 kΩ)
R110	7030003580	S.RESISTOR ERJ3GEYJ 153 V (15 kΩ)
R111	7030003720	S.RESISTOR ERJ3GEYJ 224 V (220 kΩ)
R112	7030003280	S.RESISTOR ERJ3GEYJ 470 V (47 Ω)
R113	7030003420	S.RESISTOR ERJ3GEYJ 681 V (680 Ω)
R114	7030003420	S.RESISTOR ERJ3GEYJ 681 V (680 Ω)
R116	7030003680	S.RESISTOR ERJ3GEYJ 104 V (100 kΩ)
R117	7510000340	S.THERMISTOR TN20-3E102LT
R118	7030003430	S.RESISTOR ERJ3GEYJ 821 V (820 Ω)

[RFC UNIT]

REF. NO.	ORDER NO.	DESCRIPTION
C1	4030006860	S.CERAMIC C1808 JB 1H 102K-T-A
C2	4030006820	S.CERAMIC C1808 JB 1C 473K-T-A
C3	4030006820	S.CERAMIC C1808 JB 1C 473K-T-A
C4	4030006820	S.CERAMIC C1808 JB 1C 473K-T-A
C5	4030006830	S.CERAMIC C1808 JF 1C 104Z-T-A
C6	4030006960	S.CERAMIC C1808 CH 1H 050J-T-A
C7	4030007050	S.CERAMIC C1808 CH 1H 220J-T-A
C8	4030006860	S.CERAMIC C1808 JB 1H 102K-T-A
C9	4030006820	S.CERAMIC C1808 JB 1C 473K-T-A
C10	4030006850	S.CERAMIC C1808 JB 1H 471K-T-A
C11	4030006850	S.CERAMIC C1808 JB 1H 471K-T-A
C12	4030006850	S.CERAMIC C1808 JB 1H 471K-T-A
C13	4030006860	S.CERAMIC C1808 JB 1H 102K-T-A
C14	4030006890	S.CERAMIC C1808 SL 1H 330J-T-A
C15	4030006880	S.CERAMIC C1808 JB 1H 102K-T-A
C16	4030006960	S.CERAMIC C2012 JB 1C 104K-T-A
C17	4030006860	S.CERAMIC C1808 JB 1H 102K-T-A
C18	4030006860	S.CERAMIC C1808 JB 1H 102K-T-A
C19	4030006900	S.CERAMIC C1808 JB 1E 103K-T-A
C21	4030006860	S.CERAMIC C1808 SL 1H 220J-T-A
C22	4030009230	S.CERAMIC C1808 SL 1H 240J-T-A
C23	4030006900	S.CERAMIC C1808 JB 1E 103K-T-A
C25	4030009230	S.CERAMIC C1808 SL 1H 240J-T-A
C26	4030006850	S.CERAMIC C1808 JB 1H 471K-T-A
C27	4030006850	S.CERAMIC C1808 JB 1H 471K-T-A
C28	4030009530	S.CERAMIC C1808 CH 1H 030B-T-A
C30	4030009520	S.CERAMIC C1808 CH 1H 020B-T-A
C31	4030006850	S.CERAMIC C1808 JB 1H 471K-T-A
C32	4030009540	S.CERAMIC C1808 CH 1H 1R5B-T-A
C34	4030006550	S.CERAMIC C1808 SL 1H 040C-T-A
C35	4030006850	S.CERAMIC C1808 JB 1H 471K-T-A
C36	4030009520	S.CERAMIC C1808 CH 1H 020B-T-A
C37	4030009510	S.CERAMIC C1808 CH 1H 010B-T-A
C41	4030007030	S.CERAMIC C1808 CH 1H 150J-T-A
C42	4610001830	S.TRIMMER TBZX4N100BA110T00
C43	4030007050	S.CERAMIC C1808 CH 1H 220J-T-A
C45	4030007070	S.CERAMIC C1808 CH 1H 330J-T-A
C46	4030006920	S.CERAMIC C1808 SL 1C 473K-T-A
C48	4030006960	S.CERAMIC C2012 JB 1C 104K-T-A
C49	4550002950	S.TANTALUM TEMSVA 0J 335M1-8L
C50	4030006850	S.CERAMIC C1808 JB 1H 471K-T-A
C52	4030006580	S.CERAMIC C1808 SL 1H 070D-T-A
C53	4030006850	S.CERAMIC C1808 JB 1H 471K-T-A
C54	4030006810	S.CERAMIC C1808 SL 1H 100D-T-A
C55	4030006850	S.CERAMIC C1808 JB 1H 471K-T-A
C56	4030006850	S.CERAMIC C1808 JB 1H 471K-T-A
C57	4030009520	S.CERAMIC C1808 CH 1H 020B-T-A
C58	4030006850	S.CERAMIC C1808 JB 1H 471K-T-A
C59	4030006850	S.CERAMIC C1808 JB 1H 471K-T-A
C60	4030006850	S.CERAMIC C1808 JB 1H 471K-T-A
C61	4550003030	S.TANTALUM TEMSVA 0J 475M-8L
C62	4030006850	S.CERAMIC C1808 JB 1H 471K-T-A
C63	4030006850	S.CERAMIC C1808 JB 1H 471K-T-A
C64	4550003080	S.TANTALUM TEMSVA 1A 335M-8L
C65	4030006540	S.CERAMIC C1808 SL 1H 030C-T-A
C67	4030006850	S.CERAMIC C1808 JB 1H 471K-T-A
C68	4030006850	S.CERAMIC C1808 JB 1H 471K-T-A
C69	4030009520	S.CERAMIC C1808 CH 1H 020B-T-A
C70	4030009520	S.CERAMIC C1808 CH 1H 020B-T-A
C72	4030006540	S.CERAMIC C1808 SL 1H 030C-T-A
C73	4030006850	S.CERAMIC C1808 JB 1H 471K-T-A
C74	4030006850	S.CERAMIC C1808 JB 1H 471K-T-A
C75	4030006850	S.CERAMIC C1808 JB 1H 471K-T-A
C76	4550003080	S.TANTALUM TEMSVA 1A 335M-8L
C77	4550002980	S.TANTALUM TEMSVA 1C 225M-8L
C78	4030006850	S.CERAMIC C1808 JB 1H 471K-T-A
C79	4030006850	S.CERAMIC C1808 JB 1H 471K-T-A
C80	4030006850	S.CERAMIC C1808 JB 1H 471K-T-A
C81	4030006850	S.CERAMIC C1808 JB 1H 471K-T-A
C82	4030006850	S.CERAMIC C1808 JB 1H 471K-T-A
C83	4030006850	S.CERAMIC C1808 JB 1H 471K-T-A
C84	4030006850	S.CERAMIC C1808 JB 1H 471K-T-A
C85	4030006850	S.CERAMIC C1808 JB 1H 471K-T-A
C86	4030006850	S.CERAMIC C1808 JB 1H 471K-T-A
C87	4030006850	S.CERAMIC C1808 JB 1H 471K-T-A
C90	4030006850	S.CERAMIC C1808 JB 1H 471K-T-A

S.=Surface mount

[RFC UNIT]

REF. NO.	ORDER NO.	DESCRIPTION	
C91	4550003130	S.TANTALUM	TEMSVB2 1C 475M-8L
C92	4030006850	S.CERAMIC	C1808 JB 1H 471K-T-A
C93	4510004420	S.ELECTROLITIC	ECEV0JV330SR
C94	4030006850	S.CERAMIC	C1808 JB 1H 471K-T-A
C95	4550002950	S.TANTALUM	TESVA 0J 335M1-8L
C96	4030006850	S.CERAMIC	C1808 JB 1H 471K-T-A
C97	4550002950	S.TANTALUM	TESVA 0J 335M1-8L
C98	4030006850	S.CERAMIC	C1808 JB 1H 471K-T-A
C99	4550000550	S.TANTALUM	TESVA 1V 224M1-8L
C100	4030006850	S.CERAMIC	C1808 JB 1H 471K-T-A
C101	4550003040	S.TANTALUM	TEMSVB2 0J 106M-8L
C102	4030006570	S.CERAMIC	C1808 SL 1H 080D-T-A
C104	4030006550	S.CERAMIC	C1808 SL 1H 040C-T-A
C106	4030006590	S.CERAMIC	C1808 SL 1H 080D-T-A
C107	4030009510	S.CERAMIC	C1808 CH 1H 010B-T-A
C109	4030009560	S.CERAMIC	C1808 CH 1H R75B-T-A
C111	4030009510	S.CERAMIC	C1808 CH 1H 010B-T-A
C114	4030006660	S.CERAMIC	C1808 SL 1H 220J-T-A
C117	4030006540	S.CERAMIC	C1808 SL 1H 030C-T-A
C118	4030009500	S.CERAMIC	C1808 CH 1H 0R5B-T-A
C119	4030006570	S.CERAMIC	C1808 SL 1H 080D-T-A
C120	4030009510	S.CERAMIC	C1808 CH 1H 010B-T-A
C121	4030006560	S.CERAMIC	C1808 SL 1H 050C-T-A
C122	4030006900	S.CERAMIC	C1808 JB 1E 103K-T-A
C123	4030006850	S.CERAMIC	C1808 JB 1H 471K-T-A
C124	4030006850	S.CERAMIC	C1808 JB 1H 471K-T-A
C125	4030006850	S.CERAMIC	C1808 JB 1H 471K-T-A
C126	4030006850	S.CERAMIC	C1808 JB 1H 471K-T-A
C127	4550002950	S.TANTALUM	TESVA 0J 335M1-8L
C128	4030006850	S.CERAMIC	C1808 JB 1H 471K-T-A
C129	4030009000	S.CERAMIC	C2012 JB 1C 224K-T-A
C130	4030007130	S.CERAMIC	C1808 CH 1H 101J-T-A
C131	4030007100	S.CERAMIC	C1808 CH 1H 560J-T-A
C132	4030007010	S.CERAMIC	C1808 CH 1H 100D-T-A
C133	4030006860	S.CERAMIC	C1808 JB 1H 102K-T-A
C134	4030009540	S.CERAMIC	C1808 CH 1H 1R5B-T-A
C135	4030006850	S.CERAMIC	C1808 JB 1H 471K-T-A
C136	4030006860	S.CERAMIC	C1808 JB 1H 102K-T-A
C137	4550003030	S.TANTALUM	TEMSVA 0J 475M-8L
C138	4030006860	S.CERAMIC	C1808 JB 1H 102K-T-A
C139	4030006860	S.CERAMIC	C1808 JB 1H 102K-T-A
C141	4550002950	S.TANTALUM	TESVA 0J 335M1-8L
C142	4030008920	S.CERAMIC	C1808 JB 1C 473K-T-A
C144	4030006860	S.CERAMIC	C1808 JB 1H 102K-T-A
C145	4030006850	S.CERAMIC	C1808 JB 1H 471K-T-A
C146	4030006850	S.CERAMIC	C1808 JB 1H 471K-T-A
C147	4030006850	S.CERAMIC	C1808 JB 1H 471K-T-A
C148	4550002950	S.TANTALUM	TESVA 0J 335M1-8L
C149	4030006700	S.CERAMIC	C1808 SL 1H 390J-T-A
C150	4030006850	S.CERAMIC	C1808 JB 1H 471K-T-A
C151	4010000260	CERAMIC	DD104 SL 470J 50V
C152	4030009520	S.CERAMIC	C1808 CH 1H 020B-T-A
C153	4030006860	S.CERAMIC	C1808 JB 1H 472K-T-A
C154	4030006580	S.CERAMIC	C1808 SL 1H 070D-T-A
W1	7030003860	S.JUMPER	ERJ3GE JPW V
W2	7030003860	S.JUMPER	ERJ3GE JPW V
W3	7030003860	S.JUMPER	ERJ3GE JPW V
W4	7030003860	S.JUMPER	ERJ3GE JPW V
W7	7030003860	S.JUMPER	ERJ3GE JPW V
W8	7030003860	S.JUMPER	ERJ3GE JPW V
W10	7030003860	S.JUMPER	ERJ3GE JPW V
W11	7030003860	S.JUMPER	ERJ3GE JPW V
W12	7030003860	S.JUMPER	ERJ3GE JPW V
W13	7030003860	S.JUMPER	ERJ3GE JPW V
W14	7030003860	S.JUMPER	ERJ3GE JPW V
W15	7030003860	S.JUMPER	ERJ3GE JPW V
W16	9029495075	JUMPER	73/98/020/X98/X98
W19	9028702001	JUMPER	73/98/010/X98/X98
J1	6450001060	CONNECTOR	HSJ1493-01-010
J2	6450001060	CONNECTOR	HSJ1493-01-010
J3	6450001060	CONNECTOR	HEC3800-01-010

[RFC UNIT]

REF. NO.	ORDER NO.	DESCRIPTION	
EP1	0910033545	PCB	B 3238E
EP2	0910036361	FPC	B 3631A
EP3	9029403902	TUBE	Irax tube 1d L=5MM
MP1	8930014140	SPRING	Ground contact(D)
MP2	8930024330	PLATE	936 Module Plate
MP3	8510007801	PLATE	936 RF Shield-1
MP4	8930005320	SPACER	Filter spacer

[12 LPF BOARD]

REF. NO.	ORDER NO.	DESCRIPTION	
D1	1720000360	S.DIODE	HSU88TRF
R1	7030003490	S.RESISTOR	ERJ3GEYJ 272 V (2.7 kΩ)
C1	4030009520	S.CERAMIC	C1808 CH 1H 020B-T-A
C2	4030009540	S.CERAMIC	C1808 CH 1H 1R5B-T-A
C3	4030009570	S.CERAMIC	C1808 CH 1H 0R3B-T-A
C4	4030009500	S.CERAMIC	C1808 CH 1H 0R5B-T-A
C5	4030009540	S.CERAMIC	C1808 CH 1H 1R5B-T-A
EP1	0910033072	PCB	B 3379B

[12 BPF BOARD]

REF. NO.	ORDER NO.	DESCRIPTION	
C1	4030009560	S.CERAMIC	C1808 CH 1H R75B-T-A
C2	4030009510	S.CERAMIC	C1808 CH 1H 010B-T-A
C3	4030009530	S.CERAMIC	C1808 CH 1H 030B-T-A
C4	4030009580	S.CERAMIC	C1808 CH 1H R75B-T-A
C5	4030009530	S.CERAMIC	C1808 CH 1H 030B-T-A
C6	4030009530	S.CERAMIC	C1808 CH 1H 030B-T-A
C7	4030006660	S.CERAMIC	C1808 SL 1H 220J-T-A
C8	4030009540	S.CERAMIC	C1808 CH 1H 1R5B-T-A
C9	4030006620	S.CERAMIC	C1808 SL 1H 120J-T-A
C10	4030009540	S.CERAMIC	C1808 CH 1H 1R5B-T-A
EP1	0910036402	PCB	B 3177B
MP1	8010012130	PLATE	BPF case
MP2	8930011860	SHEET	Insulating sheet AU
MP3	8930025490	SHEET	936 Shield Sheet

[12 SW BOARD]

REF. NO.	ORDER NO.	DESCRIPTION	
D1	1790000620	S.DIODE	MA77(TW)
D2	1790000620	S.DIODE	MA77(TW)
D3	1790000620	S.DIODE	MA77(TW)
D4	1790000620	S.DIODE	MA77(TW)
L1	6200001640	S.COIL	ELJNC 10NK-F
C1	4030008860	S.CERAMIC	C1808 JB 1H 102K-T-A
C2	4030008860	S.CERAMIC	C1808 JB 1H 102K-T-A
W1	7030003860	S.JUMPER	ERJ3GE JPW V
W2	7030003860	S.JUMPER	ERJ3GE JPW V
EP1	0910031393	PCB	B 3166C

S.=Surface mount

[12 SW BOARD]

REF. NO.	ORDER NO.	DESCRIPTION	
EP2	8910008410	LEADFRAM	HFB2.0-0.55-8 (N)
MP1	8930023640	PLATE	SW Shield Plate
MP2	8510007730	PLATE	938 SW Shield
MP3	8930018980	SHEET	Insulating sheet BJ
MP4	8930028650	SHEET	938 SW Case sheet

[12 VCO BOARD]

REF. NO.	ORDER NO.	DESCRIPTION	
Q1	1530002920	S.TRANSISTOR	2SC4228-T2 R25
Q2	1530002940	S.TRANSISTOR	2SC4228-T2 R44
D1	1790000840	S.VARICAP	MA383B(TX)
D2	1790000820	S.DIODE	MA77(TW)
D3	1790000840	S.VARICAP	MA383B(TX)
L1	8110001990	COIL	LA-223
L2	8200001700	S.COIL	MLF2012D R47K-T
L4	8200000090	S.COIL	LQN 2A 18NM
R1	7030003860	S.RESISTOR	ERJ3GEYJ 883 V (88 kΩ)
R2	7030003380	S.RESISTOR	ERJ3GEYJ 331 V (330 Ω)
R3	7030003720	S.RESISTOR	ERJ3GEYJ 224 V (220 kΩ)
R4	7030003580	S.RESISTOR	ERJ3GEYJ 153 V (15 kΩ)
R5	7030003580	S.RESISTOR	ERJ3GEYJ 153 V (15 kΩ)
R6	7030003640	S.RESISTOR	ERJ3GEYJ 473 V (47 kΩ)
R7	7030003550	S.RESISTOR	ERJ3GEYJ 822 V (8.2 kΩ)
R8	7030003340	S.RESISTOR	ERJ3GEYJ 151 V (150 Ω)
R9	7030003520	S.RESISTOR	ERJ3GEYJ 472 V (4.7 kΩ)
R10	7030003340	S.RESISTOR	ERJ3GEYJ 151 V (150 Ω)
R11	7030003220	S.RESISTOR	ERJ3GEYJ 150 V (15 Ω)
R12	7030003220	S.RESISTOR	ERJ3GEYJ 150 V (15 Ω)
R13	7030003220	S.RESISTOR	ERJ3GEYJ 150 V (15 Ω)
R15	7030003440	S.RESISTOR	ERJ3GEYJ 102 V (1 kΩ)
C2	4030006900	S.CERAMIC	C1808 JB 1E 103K-T-A
C3	4810001880	S.TRIMMER	TZBX4Z060BA110T00
C4	4030006990	S.CERAMIC	C1808 CH 1H 080D-T-A
C5	4030006980	S.CERAMIC	C1808 CH 1H 070D-T-A
C6	4030006850	S.CERAMIC	C1808 JB 1H 471K-T-A
C7	4030006980	S.CERAMIC	C1808 CH 1H 070D-T-A
C8	4030006850	S.CERAMIC	C1808 JB 1H 471K-T-A
C9	4030009170	S.CERAMIC	GRM40 F 105Z 16PT
C10	4030007030	S.CERAMIC	C1808 CH 1H 150J-T-A
C11	4550002950	S.TANTALUM	TESVA 0J 335M1-8L
C12	4030007030	S.CERAMIC	C1808 CH 1H 150J-T-A
C13	4030006930	S.CERAMIC	C1808 CH 1H 020C-T-A
C15	4030006980	S.CERAMIC	C1808 CH 1H 050C-T-A
C18	4030006590	S.CERAMIC	C1808 SL 1H 080D-T-A
C19	4030006910	S.CERAMIC	C1808 CH 1H 0R5C-T-A
C20	4030006850	S.CERAMIC	C1808 JB 1H 471K-T-A
C21	4030006850	S.CERAMIC	C1808 JB 1H 471K-T-A
W1	8910001230	CONNECTOR	Harness terminal
W2	8910001230	CONNECTOR	Harness terminal
W3	8910001230	CONNECTOR	Harness terminal
W4	8910001230	CONNECTOR	Harness terminal
W5	8910001230	CONNECTOR	Harness terminal
W6	8910001230	CONNECTOR	Harness terminal
W7	7030003860	S.JUMPER	ERJ3GE JPW V
EP1	0910031662	PCB	B 3188B
MP1	8510007410	CASE	935 VCO Case
MP2	8930001170	SPRING	Ground contact(A)

[AF BOARD]

REF. NO.	ORDER NO.	DESCRIPTION	
IC1	1110002420	S.IC	NJM2073M(T1)
Q1	1590001170	S.TRANSISTOR	XP1501-(TX).AB
Q2	1520000270	S.TRANSISTOR	2SB1182 TL Q
R1	7030003200	S.RESISTOR	ERJ3GEYJ 100 V (10 Ω)
R2	7030003200	S.RESISTOR	ERJ3GEYJ 100 V (10 Ω)
R3	7030003800	S.RESISTOR	ERJ3GEYJ 223 V (22 kΩ)
R4	7030003480	S.RESISTOR	ERJ3GEYJ 222 V (2.2 kΩ)
R5	7030003420	S.RESISTOR	ERJ3GEYJ 881 V (880 Ω)
R6	7030003420	S.RESISTOR	ERJ3GEYJ 881 V (880 Ω)
R7	7030003480	S.RESISTOR	ERJ3GEYJ 222 V (2.2 kΩ)
R8	7030003800	S.RESISTOR	ERJ3GEYJ 223 V (22 kΩ)
R9	7030003560	S.RESISTOR	ERJ3GEYJ 103 V (10 kΩ)
R10	7030003450	S.RESISTOR	ERJ3GEYJ 122 V (1.2 kΩ)
R12	7030003450	S.RESISTOR	ERJ3GEYJ 122 V (1.2 kΩ)
C1	4030008920	S.CERAMIC	C1808 JB 1C 473K-T-A
C2	4030008920	S.CERAMIC	C1808 JB 1C 473K-T-A
C3	4030008920	S.CERAMIC	C1808 JB 1C 473K-T-A
C4	4510003180	ELECTROLITIC	6.3 RC2 100UF (D=5.0)
C5	4510003180	ELECTROLITIC	6.3 RC2 100UF (D=5.0)
C6	4550000880	S.TANTALUM	TESVA 1C 884M1-8L
C7	4030008880	S.CERAMIC	C1808 JB 1C 223K-T-A
C8	4550000880	S.TANTALUM	TESVA 1C 884M1-8L
C10	4030008880	S.CERAMIC	C1808 JB 1C 223K-T-A
C12	4510003270	ELECTROLITIC	6.3 RC2 220UF (D=6.3)
C13	4030008850	S.CERAMIC	C1808 JB 1H 471K-T-A
C14	4030008850	S.CERAMIC	C1808 JB 1H 471K-T-A
W1	7030003860	S.JUMPER	ERJ3GE JPW V
W2	7030003860	S.JUMPER	ERJ3GE JPW V
EP1	8910003420	LEADFRAM	AR1.27-0.7-12.3
EP2	0910038490	PCB	B 3637

[PRT UNIT]

REF. NO.	ORDER NO.	DESCRIPTION	
Q1	1520000200	S.TRANSISTOR	2SB798-T2 DK
Q2	1530002280	S.TRANSISTOR	2SC4081 T107 S
D1	1790001030	S.DIODE	SB30-03P-TD
D2	1790000870	S.DIODE	SB07-03C-TA
D3	1790000590	S.DIODE	MA110(TW)
D4	1730002180	S.ZENER	02CZ5.1-Z (TE85R)
D5	1750000080	S.DIODE	1SS198 (TE85R)
R1	7030000140	S.RESISTOR	MCR10EZJH 10 Ω (100)
R2	7030003370	S.RESISTOR	ERJ3GEYJ 271 V (270 Ω)
R3	7030003440	S.RESISTOR	ERJ3GEYJ 102 V (1 kΩ)
R4	7030003810	S.RESISTOR	ERJ3GEYJ 273 V (27 kΩ)
R5	7030000410	S.RESISTOR	MCR10EZJH 1.8 kΩ (182)
R6	7030003800	S.RESISTOR	ERJ3GEYJ 223 V (22 kΩ)
R7	7030003320	S.RESISTOR	ERJ3GEYJ 101 V (100 Ω)
R8	7030003440	S.RESISTOR	ERJ3GEYJ 102 V (1 kΩ)
R9	7030000140	S.RESISTOR	MCR10EZJH 10 Ω (100)
R10	7030000140	S.RESISTOR	MCR10EZJH 10 Ω (100)
R11	7030003800	S.RESISTOR	ERJ3GEYJ 223 V (22 kΩ)
C1	4030008860	S.CERAMIC	C1808 JB 1H 102K-T-A
C2	4030008860	S.CERAMIC	C1808 JB 1H 102K-T-A
C3	4030008710	S.CERAMIC	C1808 SL 1H 470J-T-A
C4	4030008860	S.CERAMIC	C1808 JB 1H 102K-T-A
C5	4030008860	S.CERAMIC	C1808 JB 1H 102K-T-A

S.=Surface mount

[PRT UNIT]

REF. NO.	ORDER NO.	DESCRIPTION	
C8	4030006860	S.CERAMIC	C1608 JB 1H 102K-T-A
EP1	0910033622	PCB	B 3239B
MP1	8010011801	PLATE	936 Contact Base-1
MP2	8930027740	SPRING	1266 Contact Spring
MP3	8930022400	SPRING	936 Release Spring
MP4	8930022700	BUTTON	936 Release Button
MP5	8810003850	SCREW	PHB0 No. 0-3M1.4X2.5 NI
MP6	8930024440	SHEET	Himeron sheet AF

[LOGIC UNIT]

REF. NO.	ORDER NO.	DESCRIPTION	
IC1	1140002730	S.IC	HD404629A08H
IC2	1130003760	S.IC	TC4S81F (TE85R)
IC3	1150001100	S.IC	M86321GP-30AD
IC4	1130005810	S.IC	BU4094BF-T1
IC5	1130003610	S.IC	TC4SU69F (TE85R)
IC6	1150001100	S.IC	M86321GP-30AD
IC7	1130004200	S.IC	TC4S66F (TE85R)
IC8	1130003610	S.IC	TC4SU69F (TE85R)
IC9	1110002490	S.IC	M5218FP-73A
IC10	1130005840	S.IC	TC4W53F (TE12L)
IC11	1150001110	S.IC	M86007FP
IC12	1130004330	S.IC	LC7385M
IC13	1110002750	S.IC	TA75S01F (TE85R)
IC14	1110002750	S.IC	TA75S01F (TE85R)
IC15	1110002750	S.IC	TA75S01F (TE85R)
IC16	1130004170	S.IC	TC4S01F (TE85R)
IC17	1130004170	S.IC	TC4S01F (TE85R)
IC18	1130004170	S.IC	TC4S01F (TE85R)
IC19	1130006770	S.IC	BU4053BF-T1
IC20	1110002490	S.IC	M5218FP-73A
IC21	1110002490	S.IC	M5218FP-73A
IC22	1180000680	S.IC	S-87050EF-VR-T1
IC23	1130003760	S.IC	TC4S81F (TE85R)
IC24	1130003760	S.IC	TC4S81F (TE85R)
IC25	1130003760	S.IC	TC4S81F (TE85R)
Q1	1590000680	S.TRANSISTOR	DTC114EU T107
Q2	1530002280	S.TRANSISTOR	2SC4081 T107 S
Q3	1530002280	S.TRANSISTOR	2SC4081 T107 S
Q4	1510000510	S.TRANSISTOR	2SA1578 T107 R
Q5	1590001170	S.TRANSISTOR	XP1501-(TX).AB
Q6	1520000200	S.TRANSISTOR	2SB798-T2 DK
Q7	1530002280	S.TRANSISTOR	2SC4081 T107 S
Q8	1530002280	S.TRANSISTOR	2SC4081 T107 S
Q9	1590000650	S.TRANSISTOR	DTA144TU T107
Q11	1530002280	S.TRANSISTOR	2SC4081 T107 S
Q12	1530002280	S.TRANSISTOR	2SC4081 T107 S
Q13	1530002280	S.TRANSISTOR	2SC4081 T107 S
Q14	1590000660	S.TRANSISTOR	DTC144TU T107
Q15	1590000660	S.TRANSISTOR	DTC144TU T107
Q16	1590000660	S.TRANSISTOR	DTC144TU T107
Q17	1590000660	S.TRANSISTOR	DTC144TU T107
Q18	1590001180	S.TRANSISTOR	XP1210(TX)
Q20	1590000660	S.TRANSISTOR	DTC144TU T107
Q21	1590001140	S.TRANSISTOR	UN9210(TX)
Q22	1590001140	S.TRANSISTOR	UN9210(TX)
Q23	1530002280	S.TRANSISTOR	2SC4081 T107 S
Q24	1590001390	S.FET	2SJ144-Y (TE85R)
Q25	1590001390	S.FET	2SJ144-Y (TE85R)
Q26	1590001390	S.FET	2SJ144-Y (TE85R)
Q27	1530002280	S.TRANSISTOR	2SC4081 T107 S
Q28	1530002280	S.TRANSISTOR	2SC4081 T107 S
Q29	1530002280	S.TRANSISTOR	2SC4081 T107 S
Q30	1530002280	S.TRANSISTOR	2SC4081 T107 S
Q31	1530002280	S.TRANSISTOR	2SC4081 T107 S
Q32	1530002280	S.TRANSISTOR	2SC4081 T107 S

[LOGIC UNIT]

REF. NO.	ORDER NO.	DESCRIPTION	
Q33	1530002280	S.TRANSISTOR	2SC4081 T107 S
Q34	1530002280	S.TRANSISTOR	2SC4081 T107 S
Q35	1530002280	S.TRANSISTOR	2SC4081 T107 S
Q36	1540000340	S.TRANSISTOR	2SD2216-R(TX)
Q37	1590000860	S.TRANSISTOR	DTA114YU T107
Q38	1520000430	S.TRANSISTOR	2SB1462-R(TX)
Q39	1590000670	S.TRANSISTOR	FMW1 T148
Q40	1510000510	S.TRANSISTOR	2SA1578 T107 R
Q41	1590001140	S.TRANSISTOR	UN9210(TX)
D2	1790000590	S.DIODE	MA110(TW)
D3	1750000130	S.DIODE	DA204U T107
D5	1750000160	S.DIODE	DA114 T107
D6	1790001200	S.DIODE	MA6S121(TX)
D7	1790001200	S.DIODE	MA6S121(TX)
D8	1790001200	S.DIODE	MA6S121(TX)
D9	1790001200	S.DIODE	MA6S121(TX)
D10	1790000840	S.DIODE	MA132WA(TX)
D11	1790000830	S.DIODE	MA132HK(TX) (ITA, USA, AUS, SEA)
D12	1790000820	S.DIODE	MA132K(TX) (AUS)
D12	1790000830	S.DIODE	MA132HK(TX) (EUR, UK, USA)
D12	1790000850	S.DIODE	MA132WK(TX) (SEA)
D13	1790000830	S.DIODE	MA132HK(TX) (ITA)
D14	1790000830	S.DIODE	MA132HK(TX) (EUR, UK, USA, AUS, SEA)
D15	1790000850	S.DIODE	MA132WK(TX) (ITA)
D16	1750000130	S.DIODE	DA204U T107
D17	1750000130	S.DIODE	DA204U T107
D18	1750000130	S.DIODE	DA204U T107
D19	1750000130	S.DIODE	DA204U T107
D20	1750000130	S.DIODE	DA204U T107
D21	1750000130	S.DIODE	DA204U T107
D22	1790000850	S.DIODE	MA132WK(TX)
D23	1750000190	S.DIODE	1SS322 (TE85R)
D24	1790000660	S.DIODE	MA728(TW)
D25	1790000590	S.DIODE	MA110(TW)
X1	6080000520	S.CERAMIC	CSAC2.00MGC200-TC
X2	6050005801	XTAL	DS-VT200 (32.768KHz)
X3	6080000150	S.CERAMIC	CSAC3.58MGC300CD
R1	7410000810	S.ARRAY	EXB-V4V 153JV (15 kΩ)
R3	7030003800	S.RESISTOR	ERJ3GEYJ 105 V (1 MΩ)
R4	7030003680	S.RESISTOR	ERJ3GEYJ 104 V (100 kΩ)
R5	7030003800	S.RESISTOR	ERJ3GEYJ 105 V (1 MΩ)
R6	7030003800	S.RESISTOR	ERJ3GEYJ 105 V (1 MΩ)
R7	7030003480	S.RESISTOR	ERJ3GEYJ 222 V (2.2 kΩ)
R8	7030003800	S.RESISTOR	ERJ3GEYJ 105 V (1 MΩ)
R9	7030003760	S.RESISTOR	ERJ3GEYJ 474 V (470 kΩ)
R10	7030003760	S.RESISTOR	ERJ3GEYJ 474 V (470 kΩ)
R11	7030003800	S.RESISTOR	ERJ3GEYJ 105 V (1 MΩ)
R12	7030003580	S.RESISTOR	ERJ3GEYJ 153 V (470 kΩ)
R13	7030003690	S.RESISTOR	ERJ3GEYJ 124 V (120 kΩ)
R14	7030003660	S.RESISTOR	ERJ3GEYJ 683 V (68 kΩ)
R15	7030003620	S.RESISTOR	ERJ3GEYJ 333 V (33 kΩ)
R16	7030003760	S.RESISTOR	ERJ3GEYJ 474 V (470 kΩ)
R17	7030003760	S.RESISTOR	ERJ3GEYJ 474 V (470 kΩ)
R18	7030003760	S.RESISTOR	ERJ3GEYJ 474 V (470 kΩ)
R19	7030003760	S.RESISTOR	ERJ3GEYJ 474 V (470 kΩ)
R21	7030003760	S.RESISTOR	ERJ3GEYJ 474 V (470 kΩ)
R22	7030003620	S.RESISTOR	ERJ3GEYJ 333 V (33 kΩ)
R23	7030003800	S.RESISTOR	ERJ3GEYJ 105 V (1 MΩ)
R24	7030003440	S.RESISTOR	ERJ3GEYJ 102 V (1 kΩ)
R25	7030003440	S.RESISTOR	ERJ3GEYJ 102 V (1 kΩ)
R26	7030003450	S.RESISTOR	ERJ3GEYJ 122 V (1.2 kΩ)
R27	7030003560	S.RESISTOR	ERJ3GEYJ 103 V (10 kΩ)
R28	7030003400	S.RESISTOR	ERJ3GEYJ 471 V (470 Ω)
R29	7030003720	S.RESISTOR	ERJ3GEYJ 224 V (220 kΩ)
R30	7030003760	S.RESISTOR	ERJ3GEYJ 474 V (470 kΩ)
R31	7030003720	S.RESISTOR	ERJ3GEYJ 224 V (220 kΩ)
R32	7030003480	S.RESISTOR	ERJ3GEYJ 222 V (2.2 kΩ)

S.=Surface mount

[LOGIC UNIT]

REF. NO.	ORDER NO.	DESCRIPTION
R33	7030003760	S.RESISTOR ERJ3GGEYJ 474 V (470 kΩ)
R34	7030003370	S.RESISTOR ERJ3GGEYJ 271 V (270 Ω)
R35	7030003370	S.RESISTOR ERJ3GGEYJ 271 V (270 Ω)
R36	7030003760	S.RESISTOR ERJ3GGEYJ 474 V (470 kΩ)
R37	7030003540	S.RESISTOR ERJ3GGEYJ 682 V (6.8 kΩ)
R38	7030003560	S.RESISTOR ERJ3GGEYJ 103 V (10 kΩ)
R39	7030003690	S.RESISTOR ERJ3GGEYJ 124 V (120 kΩ)
R40	7030003550	S.RESISTOR ERJ3GGEYJ 822 V (8.2 kΩ)
R41	7030003330	S.RESISTOR ERJ3GGEYJ 121 V (120 Ω)
R42	7030003330	S.RESISTOR ERJ3GGEYJ 121 V (120 Ω)
R43	7030004010	S.RESISTOR ERJ3GGEYJ 2R2 V (2.2 Ω)
R45	7030003640	S.RESISTOR ERJ3GGEYJ 473 V (47 kΩ)
R46	7030003330	S.RESISTOR ERJ3GGEYJ 121 V (120 Ω) (EUR, UK, ITA, AUS, SEA)
R46	7030003370	S.RESISTOR ERJ3GGEYJ 271 V (270 Ω) (USA)
R47	7030003880	S.RESISTOR ERJ3GGEYJ 244 V (240 kΩ)
R48	7030003710	S.RESISTOR ERJ3GGEYJ 184 V (180 kΩ)
R49	7030003480	S.RESISTOR ERJ3GGEYJ 222 V (2.2 kΩ)
R50	7030003710	S.RESISTOR ERJ3GGEYJ 184 V (180 kΩ)
R51	7030003670	S.RESISTOR ERJ3GGEYJ 823 V (82 kΩ)
R52	7310002740	S.TRIMMER RV-150 (RH03A3A14X0FC) 103
R53	7030003640	S.RESISTOR ERJ3GGEYJ 473 V (47 kΩ) (EUR, UK, ITA)
R57	7030003600	S.RESISTOR ERJ3GGEYJ 223 V (22 kΩ) (EUR, UK, ITA, USA)
R59	7030003610	S.RESISTOR ERJ3GGEYJ 273 V (27 kΩ)
R60	7030003580	S.RESISTOR ERJ3GGEYJ 153 V (15 kΩ)
R61	7030003740	S.RESISTOR ERJ3GGEYJ 334 V (330 kΩ)
R62	7030003630	S.RESISTOR ERJ3GGEYJ 393 V (39 kΩ)
R63	7030003630	S.RESISTOR ERJ3GGEYJ 393 V (39 kΩ)
R64	7030003680	S.RESISTOR ERJ3GGEYJ 104 V (100 kΩ)
R65	7030003720	S.RESISTOR ERJ3GGEYJ 224 V (220 kΩ)
R66	7030003320	S.RESISTOR ERJ3GGEYJ 101 V (100 Ω)
R67	7030003640	S.RESISTOR ERJ3GGEYJ 473 V (47 kΩ)
R68	7030003600	S.RESISTOR ERJ3GGEYJ 223 V (22 kΩ)
R69	7030003600	S.RESISTOR ERJ3GGEYJ 223 V (22 kΩ)
R70	7030003560	S.RESISTOR ERJ3GGEYJ 103 V (10 kΩ)
R71	7030003760	S.RESISTOR ERJ3GGEYJ 474 V (470 kΩ)
R72	7030003760	S.RESISTOR ERJ3GGEYJ 474 V (470 kΩ)
R73	7030003760	S.RESISTOR ERJ3GGEYJ 474 V (470 kΩ)
R74	7030003720	S.RESISTOR ERJ3GGEYJ 224 V (220 kΩ)
R75	7030003720	S.RESISTOR ERJ3GGEYJ 224 V (220 kΩ)
R76	7030003720	S.RESISTOR ERJ3GGEYJ 224 V (220 kΩ)
R77	7030003720	S.RESISTOR ERJ3GGEYJ 224 V (220 kΩ)
R78	7030003800	S.RESISTOR ERJ3GGEYJ 105 V (1 MΩ)
R79	7030003800	S.RESISTOR ERJ3GGEYJ 105 V (1 MΩ)
R80	7410000590	S.ARRAY EXB-V4V 473JV (47 kΩ)
R81	7410000720	S.ARRAY EXB-V8V 473JV (47 kΩ)
R82	7030003640	S.RESISTOR ERJ3GGEYJ 473 V (47 kΩ)
R83	7030003680	S.RESISTOR ERJ3GGEYJ 683 V (68 kΩ)
R84	7030003720	S.RESISTOR ERJ3GGEYJ 224 V (220 kΩ)
R85	7030003680	S.RESISTOR ERJ3GGEYJ 683 V (68 kΩ)
R86	7030003720	S.RESISTOR ERJ3GGEYJ 224 V (220 kΩ)
R87	7030003680	S.RESISTOR ERJ3GGEYJ 683 V (68 kΩ)
R88	7030003720	S.RESISTOR ERJ3GGEYJ 224 V (220 kΩ)
R89	7030003800	S.RESISTOR ERJ3GGEYJ 105 V (1 MΩ)
R90	7030003680	S.RESISTOR ERJ3GGEYJ 104 V (100 kΩ)
R91	7030003730	S.RESISTOR ERJ3GGEYJ 274 V (270 kΩ)
R92	7030003740	S.RESISTOR ERJ3GGEYJ 334 V (330 kΩ)
R93	7030003570	S.RESISTOR ERJ3GGEYJ 123 V (12 kΩ)
R94	7030003620	S.RESISTOR ERJ3GGEYJ 333 V (33 kΩ)
R95	7030003740	S.RESISTOR ERJ3GGEYJ 334 V (330 kΩ)
R96	7030003710	S.RESISTOR ERJ3GGEYJ 184 V (180 kΩ)
R97	7030003730	S.RESISTOR ERJ3GGEYJ 274 V (270 kΩ)
R98	7030003560	S.RESISTOR ERJ3GGEYJ 103 V (10 kΩ)
R99	7030003570	S.RESISTOR ERJ3GGEYJ 123 V (12 kΩ)
R100	7030003620	S.RESISTOR ERJ3GGEYJ 333 V (33 kΩ)
R101	7030003740	S.RESISTOR ERJ3GGEYJ 334 V (330 kΩ)
R102	7030003710	S.RESISTOR ERJ3GGEYJ 184 V (180 kΩ)
R103	7030003730	S.RESISTOR ERJ3GGEYJ 274 V (270 kΩ)
R104	7030003560	S.RESISTOR ERJ3GGEYJ 103 V (10 kΩ)
R105	7030003570	S.RESISTOR ERJ3GGEYJ 123 V (12 kΩ)
R106	7030003620	S.RESISTOR ERJ3GGEYJ 333 V (33 kΩ)
R107	7030003740	S.RESISTOR ERJ3GGEYJ 334 V (330 kΩ)

[LOGIC UNIT]

REF. NO.	ORDER NO.	DESCRIPTION
R108	7030003690	S.RESISTOR ERJ3GGEYJ 124 V (120 kΩ)
R109	7030003730	S.RESISTOR ERJ3GGEYJ 274 V (270 kΩ)
R110	7030003560	S.RESISTOR ERJ3GGEYJ 103 V (10 kΩ)
R111	7030003560	S.RESISTOR ERJ3GGEYJ 103 V (10 kΩ)
R112	7310002600	S.TRIMMER RV-110 (RH03A3AS4X0AA) 473
R113	7030003690	S.RESISTOR ERJ3GGEYJ 124 V (120 kΩ)
R114	7030003690	S.RESISTOR ERJ3GGEYJ 124 V (120 kΩ)
R115	7030003690	S.RESISTOR ERJ3GGEYJ 124 V (120 kΩ)
R116	7030003760	S.RESISTOR ERJ3GGEYJ 474 V (470 kΩ)
R117	7030003760	S.RESISTOR ERJ3GGEYJ 474 V (470 kΩ)
R118	7030003760	S.RESISTOR ERJ3GGEYJ 474 V (470 kΩ)
R119	7030003650	S.RESISTOR ERJ3GGEYJ 563 V (56 kΩ)
R120	7030003690	S.RESISTOR ERJ3GGEYJ 124 V (120 kΩ)
R121	7030003600	S.RESISTOR ERJ3GGEYJ 223 V (22 kΩ)
R122	7030003650	S.RESISTOR ERJ3GGEYJ 563 V (56 kΩ)
R123	7030003690	S.RESISTOR ERJ3GGEYJ 124 V (120 kΩ)
R124	7030003600	S.RESISTOR ERJ3GGEYJ 223 V (22 kΩ)
R125	7030003650	S.RESISTOR ERJ3GGEYJ 563 V (56 kΩ)
R126	7030003690	S.RESISTOR ERJ3GGEYJ 124 V (120 kΩ)
R127	7030003600	S.RESISTOR ERJ3GGEYJ 223 V (22 kΩ)
R128	7030003500	S.RESISTOR ERJ3GGEYJ 332 V (3.3 kΩ)
R129	7030003500	S.RESISTOR ERJ3GGEYJ 332 V (3.3 kΩ)
R130	7030003500	S.RESISTOR ERJ3GGEYJ 332 V (3.3 kΩ)
R131	7030003560	S.RESISTOR ERJ3GGEYJ 103 V (10 kΩ)
R132	7030003560	S.RESISTOR ERJ3GGEYJ 103 V (10 kΩ)
R133	7030003500	S.RESISTOR ERJ3GGEYJ 332 V (3.3 kΩ)
R134	7030003500	S.RESISTOR ERJ3GGEYJ 332 V (3.3 kΩ)
R135	7030003500	S.RESISTOR ERJ3GGEYJ 332 V (3.3 kΩ)
R136	7030003560	S.RESISTOR ERJ3GGEYJ 103 V (10 kΩ)
R137	7030003560	S.RESISTOR ERJ3GGEYJ 103 V (10 kΩ)
R138	7030003500	S.RESISTOR ERJ3GGEYJ 332 V (3.3 kΩ)
R139	7030003500	S.RESISTOR ERJ3GGEYJ 332 V (3.3 kΩ)
R140	7030003500	S.RESISTOR ERJ3GGEYJ 332 V (3.3 kΩ)
R141	7030003560	S.RESISTOR ERJ3GGEYJ 103 V (10 kΩ)
R142	7030003560	S.RESISTOR ERJ3GGEYJ 103 V (10 kΩ)
R143	7030003620	S.RESISTOR ERJ3GGEYJ 333 V (33 kΩ)
R144	7030003620	S.RESISTOR ERJ3GGEYJ 333 V (33 kΩ)
R145	7030003620	S.RESISTOR ERJ3GGEYJ 333 V (33 kΩ)
R146	7030003500	S.RESISTOR ERJ3GGEYJ 332 V (3.3 kΩ)
R147	7030003720	S.RESISTOR ERJ3GGEYJ 224 V (220 kΩ)
R148	7030003780	S.RESISTOR ERJ3GGEYJ 884 V (880 kΩ)
R149	7030003720	S.RESISTOR ERJ3GGEYJ 224 V (220 kΩ)
R150	7030003500	S.RESISTOR ERJ3GGEYJ 332 V (3.3 kΩ)
R151	7030003780	S.RESISTOR ERJ3GGEYJ 684 V (680 kΩ)
R152	7410000590	S.ARRAY EXB-V4V 473JV (47 kΩ)
R153	7030003360	S.RESISTOR ERJ3GGEYJ 221 V (220 Ω)
R154	7030003440	S.RESISTOR ERJ3GGEYJ 102 V (1 kΩ)
R155	7030003620	S.RESISTOR ERJ3GGEYJ 333 V (33 kΩ)
R156	7030003680	S.RESISTOR ERJ3GGEYJ 104 V (100 kΩ)
R157	7030004020	S.RESISTOR ERJ3GGEYJ 243 V (24 kΩ)
R158	7030003530	S.RESISTOR ERJ3GGEYJ 562 V (5.6 kΩ)
R159	7030003520	S.RESISTOR ERJ3GGEYJ 472 V (4.7 kΩ)
R160	7030003560	S.RESISTOR ERJ3GGEYJ 103 V (10 kΩ)
R161	7030003560	S.RESISTOR ERJ3GGEYJ 103 V (10 kΩ)
R162	7410000590	S.ARRAY EXB-V4V 473JV (47 kΩ)
R163	7030003760	S.RESISTOR ERJ3GGEYJ 474 V (470 kΩ) (EUR, UK, ITA)
R164	7030003760	S.RESISTOR ERJ3GGEYJ 474 V (470 kΩ) (EUR, UK, ITA)
R165	7030003760	S.RESISTOR ERJ3GGEYJ 474 V (470 kΩ) (EUR, UK, ITA)
R166	7030003800	S.RESISTOR ERJ3GGEYJ 105 V (1 MΩ)
R167	7030003720	S.RESISTOR ERJ3GGEYJ 224 V (220 kΩ)
R168	7030003640	S.RESISTOR ERJ3GGEYJ 473 V (47 kΩ)
R169	7030003800	S.RESISTOR ERJ3GGEYJ 105 V (1 MΩ)
R170	7030003800	S.RESISTOR ERJ3GGEYJ 105 V (1 MΩ)
R171	7030003770	S.RESISTOR ERJ3GGEYJ 564 V (560 kΩ)
R172	7030003720	S.RESISTOR ERJ3GGEYJ 224 V (220 kΩ)
R173	7030003720	S.RESISTOR ERJ3GGEYJ 224 V (220 kΩ)
R174	7030003480	S.RESISTOR ERJ3GGEYJ 222 V (2.2 kΩ)
R175	7030003520	S.RESISTOR ERJ3GGEYJ 472 V (4.7 kΩ)
C1	4030008920	S.CERAMIC C1608 JB 1C 473K-T-A
C2	4030009000	S.CERAMIC C2012 JB 1C 224K-T-A

S.=Surface mount

[LOGIC UNIT]

REF. NO.	ORDER NO.	DESCRIPTION	
C3	4030006860	S.CERAMIC	C1808 JB 1H 102K-T-A
C4	4030008960	S.CERAMIC	C2012 JB 1C 104K-T-A
C6	4030007090	S.CERAMIC	C1808 CH 1H 470J-T-A
C7	4030007100	S.CERAMIC	C1808 CH 1H 580J-T-A
C8	4030007030	S.CERAMIC	C1808 CH 1H 150J-T-A
C9	4030007030	S.CERAMIC	C1808 CH 1H 150J-T-A
C10	4030006860	S.CERAMIC	C1808 JB 1H 102K-T-A
C11	4030006900	S.CERAMIC	C1808 JB 1E 103K-T-A
C12	4030006850	S.CERAMIC	C1808 JB 1H 471K-T-A
C13	4030006850	S.CERAMIC	C1808 JB 1H 471K-T-A
C14	4030006850	S.CERAMIC	C1808 JB 1H 471K-T-A
C15	4030006850	S.CERAMIC	C1808 JB 1H 471K-T-A
C16	4030006850	S.CERAMIC	C1808 JB 1H 471K-T-A
C17	4030006850	S.CERAMIC	C1808 JB 1H 471K-T-A
C18	4030006860	S.CERAMIC	C1808 JB 1H 102K-T-A
C19	4030006860	S.CERAMIC	C1808 JB 1H 102K-T-A
C20	4030008880	S.CERAMIC	C1808 JB 1C 223K-T-A
C21	4030008920	S.CERAMIC	C1808 JB 1C 224K-T-A
C22	4550004040	S.TANTALUM	TEMSVA 0J 685M-8L
C23	4030008920	S.CERAMIC	C1808 JB 1C 473K-T-A
C24	4030008960	S.CERAMIC	C2012 JB 1C 104K-T-A
C25	4030008880	S.CERAMIC	C1808 JB 1C 223K-T-A
C26	4030006860	S.CERAMIC	C1808 JB 1H 102K-T-A
C27	4030008880	S.CERAMIC	C1808 JB 1H 472K-T-A
C28	4030006850	S.CERAMIC	C1808 JB 1H 471K-T-A
C29	4030009000	S.CERAMIC	C2012 JB 1C 224K-T-A
C30	4550003030	S.TANTALUM	TEMSVA 0J 475M-8L
C31	4030006850	S.CERAMIC	C1808 JB 1H 471K-T-A
C32	4030006860	S.CERAMIC	C1808 JB 1H 102K-T-A
C38	4030008960	S.CERAMIC	C2012 JB 1C 104K-T-A
C39	4030006900	S.CERAMIC	C1808 JB 1E 103K-T-A
C40	4030008470	S.CERAMIC	C1808 JB 1H 272K-T-A
C41	4030008760	S.CERAMIC	C1808 SL 1H 121J-T-A
C42	4030006860	S.CERAMIC	C1808 JB 1H 102K-T-A
C43	4030009000	S.CERAMIC	C2012 JB 1C 224K-T-A
C44	4030008860	S.CERAMIC	C1808 JB 1H 102K-T-A
C45	4030006900	S.CERAMIC	C1808 JB 1E 103K-T-A
C46	4030008900	S.CERAMIC	C1808 JB 1E 103K-T-A
C47	4030006900	S.CERAMIC	C1808 JB 1E 103K-T-A
C48	4030006860	S.CERAMIC	C1808 JB 1H 102K-T-A
C49	4030006860	S.CERAMIC	C1808 JB 1H 102K-T-A
C50	4030006860	S.CERAMIC	C1808 JB 1C 102K-T-A
C51	4030008900	S.CERAMIC	C1808 JB 1C 333K-T-A
C52	4030008900	S.CERAMIC	C1808 JB 1C 333K-T-A
C53	4030008920	S.CERAMIC	C1808 JB 1C 473K-T-A
C54	4030008900	S.CERAMIC	C1808 JB 1C 333K-T-A
C55	4030008900	S.CERAMIC	C1808 JB 1C 333K-T-A
C56	4030008920	S.CERAMIC	C1808 JB 1C 473K-T-A
C57	4030008900	S.CERAMIC	C1808 JB 1C 333K-T-A
C58	4030008900	S.CERAMIC	C1808 JB 1C 333K-T-A
C59	4030008920	S.CERAMIC	C1808 JB 1C 473K-T-A
C60	4550004010	S.TANTALUM	TEMSVA2 1A 105M-8L
C61	4550004010	S.TANTALUM	TEMSVA2 1A 105M-8L
C62	4550004010	S.TANTALUM	TEMSVA2 1A 105M-8L
C63	4030008960	S.CERAMIC	C2012 JB 1C 104K-T-A
C64	4030008960	S.CERAMIC	C2012 JB 1C 104K-T-A
C65	4030008960	S.CERAMIC	C2012 JB 1C 104K-T-A
C66	4030006860	S.CERAMIC	C1808 JB 1H 102K-T-A
C67	4030006860	S.CERAMIC	C1808 JB 1H 102K-T-A
C68	4030006900	S.CERAMIC	C1808 JB 1E 103K-T-A
C69	4030006900	S.CERAMIC	C1808 JB 1E 103K-T-A
C70	4030009000	S.CERAMIC	C2012 JB 1C 224K-T-A
C71	4030006860	S.CERAMIC	C1808 JB 1H 102K-T-A
C72	4030006870	S.CERAMIC	C1808 JB 1H 222K-T-A
C73	4030006860	S.CERAMIC	C1808 JB 1H 102K-T-A
C74	4030008960	S.CERAMIC	C2012 JB 1C 104K-T-A
C75	4030006860	S.CERAMIC	C1808 JB 1H 102K-T-A
C76	4030006900	S.CERAMIC	C1808 JB 1E 103K-T-A
C77	4030006900	S.CERAMIC	C1808 JB 1E 103K-T-A
C78	4030006860	S.CERAMIC	C1808 JB 1H 102K-T-A
C79	4030006870	S.CERAMIC	C1808 JB 1H 222K-T-A
C80	4030006860	S.CERAMIC	C1808 JB 1H 102K-T-A
C81	4030008960	S.CERAMIC	C2012 JB 1C 104K-T-A
C82	4550003070	S.TANTALUM	TEMSVD2 0J 686M-12L
C83	4030006900	S.CERAMIC	C1808 JB 1E 103K-T-A
C84	4550003070	S.TANTALUM	TEMSVD2 0J 686M-12L

[LOGIC UNIT]

REF. NO.	ORDER NO.	DESCRIPTION	
C85	4030006860	S.CERAMIC	C1808 JB 1H 102K-T-A
C86	4030006860	S.CERAMIC	C1808 JB 1H 102K-T-A
C87	4550003160	S.TANTALUM	TEMSVD2 1C 338M-12L
C88	4030006860	S.CERAMIC	C1808 JB 1H 102K-T-A
C89	4550003040	S.TANTALUM	TEMSVB2 0J 106M-8L
C90	4030008960	S.CERAMIC	C2012 JB 1C 104K-T-A
C91	4550002720	S.TANTALUM	TESVD2 0J 476M-12L
C92	4030009000	S.CERAMIC	C2012 JB 1C 224K-T-A
C93	4030006850	S.CERAMIC	C1808 JB 1H 471K-T-A
C94	4030006850	S.CERAMIC	C1808 JB 1H 471K-T-A
C95	4030008960	S.CERAMIC	C2012 JB 1C 104K-T-A
C96	4030007070	S.CERAMIC	C1808 CH 1H 330J-T-A
C97	4030007080	S.CERAMIC	C1808 CH 1H 390J-T-A
C98	4030008830	S.CERAMIC	C1808 JB 1H 104Z-T-A
C99	4030008830	S.CERAMIC	C1808 JF 1C 104Z-T-A
C100	4030008830	S.CERAMIC	C1808 JF 1C 104Z-T-A
C101	4030008830	S.CERAMIC	C1808 JF 1C 104Z-T-A
C102	4030008860	S.CERAMIC	C1808 JB 1H 471K-T-A
C103	4030006860	S.CERAMIC	C1808 JB 1H 102K-T-A
C104	4030006860	S.CERAMIC	C1808 JB 1H 102K-T-A
C105	4030006850	S.CERAMIC	C1808 JB 1H 471K-T-A
C106	4550004010	S.TANTALUM	TEMSVA2 1A 105M-8L
C107	4030006710	S.CERAMIC	C1808 SL 1H 470J-T-A
C108	4030006710	S.CERAMIC	C1808 SL 1H 470J-T-A
C109	4030006710	S.CERAMIC	C1808 SL 1H 470J-T-A
C110	4030006710	S.CERAMIC	C1808 SL 1H 470J-T-A
C111	4030006710	S.CERAMIC	C1808 SL 1H 470J-T-A
C112	4030006710	S.CERAMIC	C1808 SL 1H 470J-T-A
C113	4030006710	S.CERAMIC	C1808 SL 1H 470J-T-A
C114	4030006710	S.CERAMIC	C1808 SL 1H 470J-T-A
SP1	2510000530	SPEAKER	T028S14I0810
BT1	3020000160	LITHIUM	VL2020-1VC
DS1	5030000790	LCD	LD-BU5390J (E-5539)
DS2	5040001110	S.LED	SLM-23VMWS T97B
DS3	5010000070	S.LED	LT1E73A
DS4	5010000070	S.LED	LT1E73A
DS5	5010000070	S.LED	LT1E73A
DS6	5010000070	S.LED	LT1E73A
MC1	7700000861	MICROPHONE	WM-62A103
W1	7030003860	S.JUMPER	ERJ3GE JPW V
W2	7030003860	S.JUMPER	ERJ3GE JPW V
W3	7030003860	S.JUMPER	ERJ3GE JPW V
W4	7030003860	S.JUMPER	ERJ3GE JPW V
W5	9044902012	WIRE	71/98/010/X98/X98
W11	8900003590	CABLE	J(2896V)-3-0.1X0.8-37-2 P=1.25
J1	6510013870	S.CONNECTOR	52204-1490
J2	6510013880	S.CONNECTOR	52204-2290
J3	6510014330	S.CONNECTOR	CEW9120-0201
EP1	0910033466	PCB	B 3235F
EP2	8930023890	CONTACT	SRCN-936 SG type
EP3	8930023900	CONTACT	SRCN-936 GN type

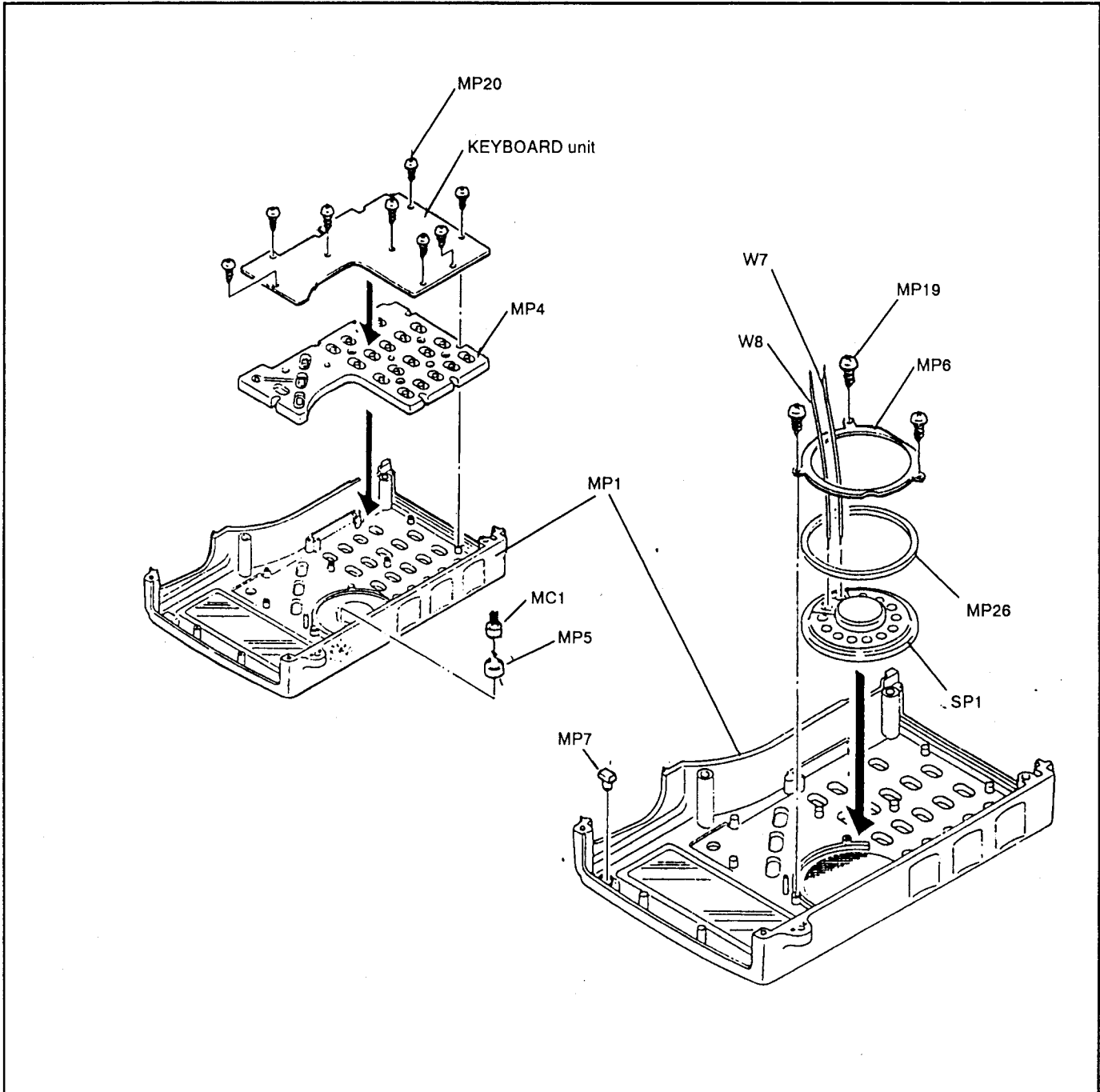
S.=Surface mount

[LOGIC UNIT]

REF. NO.	ORDER NO.		DESCRIPTION
MP1	8210007770	==	936 Front panel (A) (IC-Δ1A)
MP1	8210007780	==	936 Front panel (B) (IC-Δ1E)
MP4	8010011720	KEY	936 Keyboard
MP5	8930014940	HOLDER	752 Microphone holder
MP6	8930022350	HOLDER	936 Speaker holder
MP7	8930022541	LENS	936 LED Lens-1
MP9	8010011810	PLATE	936 Reflector
MP10	8930022360	HOLDER	936 LCD holder
MP11	8930022550	RUBBER	936 LCD cover
MP12	8010011700	CHASSIS	Top Chassis
MP13	8930022520	SEAL	V-TOP seal
MP14	8210008641	PANEL	936 V-TOP panel-1
MP15	8830000570	SCREW	VR nut (A)
MP18	8610008000	KNOB	Knob N192
MP17	8610008010	KNOB	Knob N193

[LOGIC UNIT]

REF. NO.	ORDER NO.		DESCRIPTION
MP18	8930022530	RUBBER	936 PTT Rubber
MP19	8810001700	SCREW	PHB0 No. 0-3 M1.4X3
MP20	8810005900	SCREW	PHB0 No. 0-3 M1.4X3.5 NI
MP21	8810004980	SCREW	PHB0 No. 0-3 M1.4X4.5 NI
MP22	8810005860	SCREW	PH No. 0 M2 X3 NI
MP23	8810005860	SCREW	PH No. 0 M2 X3 NI
MP25	8930022871	SHEET	Battery sheet-1
MP28	8930024220	SEAL	O-ring (J)
MP27	8930024340	PLATE	936 Keyboard Lug
MP28	8510007620	PLATE	936 VR shield
MP29	8510007610	PLATE	936 LCD shield
MP30	8930024560	SHEET	936 LCD sheet
MP31	8510007630	PLATE	936 LOGIC-A shield
MP32	8510007661	PLATE	936 LOGIC shield-1
MP34	8930024780	PLATE	936 CPU shield
MP35	8930020590	SHEET	Insulating sheet BY
MP36	8930023970	SHEET	Insulating sheet(E)



S.=Surface mount

[CONNECT UNIT]

REF. NO.	ORDER NO.	DESCRIPTION	
R1	7030003800	S.RESISTOR	ERJ3GEYJ 105 V (1 MΩ)
R2	7030003520	S.RESISTOR	ERJ3GEYJ 472 V (4.7 kΩ)
C1	4030008860	S.CERAMIC	C1808 JB 1H 102K-T-A
C2	4030008860	S.CERAMIC	C1808 JB 1H 102K-T-A
C4	4030008860	S.CERAMIC	C1808 JB 1H 102K-T-A
C5	4030008850	S.CERAMIC	C1808 JB 1H 471K-T-A
C6	4030008860	S.CERAMIC	C1808 JB 1H 102K-T-A
C7	4030008860	S.CERAMIC	C1808 JB 1H 102K-T-A
C8	4030008860	S.CERAMIC	C1808 JB 1H 102K-T-A
C9	4030008860	S.CERAMIC	C1808 JB 1H 102K-T-A
C10	4030008860	S.CERAMIC	C1808 JB 1H 102K-T-A
C11	4030008860	S.CERAMIC	C1808 JB 1H 102K-T-A
C12	4030008860	S.CERAMIC	C1808 JB 1H 102K-T-A
C13	4030008860	S.CERAMIC	C1808 JB 1H 102K-T-A
C14	4030008860	S.CERAMIC	C1808 JB 1H 102K-T-A
C16	4030008860	S.CERAMIC	C1808 JB 1H 102K-T-A
C17	4030008860	S.CERAMIC	C1808 JB 1H 102K-T-A
C18	4030008860	S.CERAMIC	C1808 JB 1H 102K-T-A
C20	4030008850	S.CERAMIC	C1808 JB 1H 471K-T-A
J1	8510012590	CONNECTOR	52022-1210
J2	8510012570	CONNECTOR	52022-0610
J3	8510012590	CONNECTOR	52022-1210
J4	8510012570	CONNECTOR	52022-0610
EP1	0910033453	PCB	B 3242C
EP2	0910033341	FPC	B 3243A
EP3	0910033372	FPC	B 3355B
MP1	8930022381	HOLDER	936 connector-B holder-1
MP2	8810005880	SCREW	PH No. 0 M2 X3 NI
MP3	8930024451	SHEET	936 AL-B sheet-1
MP4	8930024461	SHEET	936 AL-A sheet-1

[PTT UNIT]

REF. NO.	ORDER NO.	DESCRIPTION	
R1	2260001760	VARIABLE	RV-276(RK09721HH) 10KA
R2	2260001760	VARIABLE	RV-276(RK09721HH) 10KA
R3	2260001760	VARIABLE	RV-276(RK09721HH) 10KA
S1	2260001320	S.SWITCH	SW-121 (SKHUPF)
S2	2260001680	S.SWITCH	SKQDPB
S3	2260001680	S.SWITCH	SKQDPB
EP2	0910033584	FPC	B 3244D FX-936
MP1	8930018930	SPONGE	(CH)

[KEYBOARD UNIT]

REF. NO.	ORDER NO.	DESCRIPTION	
D1	1790001200	S.DIODE	MA6S121(TX)
D2	1790000590	S.DIODE	MA110(TW)
R1	7030003350	S.RESISTOR	ERJ3GEYJ 181 V (180 Ω)
R2	7030003350	S.RESISTOR	ERJ3GEYJ 181 V (180 Ω)
R3	7030003350	S.RESISTOR	ERJ3GEYJ 181 V (180 Ω)
R4	7030003370	S.RESISTOR	ERJ3GEYJ 271 V (270 Ω)

[KEYBOARD UNIT]

REF. NO.	ORDER NO.	DESCRIPTION	
DS1	5010000070	S.LED	LT1E73A
DS2	5010000070	S.LED	LT1E73A
DS3	5010000070	S.LED	LT1E73A
DS4	5010000070	S.LED	LT1E73A
DS5	5010000070	S.LED	LT1E73A
DS6	5010000070	S.LED	LT1E73A
DS7	5010000070	S.LED	LT1E73A
DS8	5010000070	S.LED	LT1E73A
EP1	0910033432	PCB	B 3240B

[TONE UNIT] (U.S.A. version only)

REF. NO.	ORDER NO.	DESCRIPTION	
IC1	1130005100	S.IC	FX365LG
IC4	1130003610	S.IC	TC4SU69F (TE85R)
Q3	1510000670	S.TRANSISTOR	2SA1588-GR (TE85R)
Q10	1530002280	S.TRANSISTOR	2SC4081 T107 S
D2	1790000870	S.DIODE	MA1S121(TX)
X1	6060000480	CERAMIC	CSB1000J221T
R5	7030003560	S.RESISTOR	ERJ3GEYJ 103 V (10 kΩ)
R9	7030003800	S.RESISTOR	ERJ3GEYJ 105 V (1 MΩ)
R10	7030003480	S.RESISTOR	ERJ3GEYJ 222 V (2.2 kΩ)
R11	7030003740	S.RESISTOR	ERJ3GEYJ 334 V (330 kΩ)
R12	7030003740	S.RESISTOR	ERJ3GEYJ 334 V (330 kΩ)
R13	7030003600	S.RESISTOR	ERJ3GEYJ 223 V (22 kΩ)
R14	7030003680	S.RESISTOR	ERJ3GEYJ 104 V (100 kΩ)
R43	7030003800	S.RESISTOR	ERJ3GEYJ 105 V (1 MΩ)
R44	7030003640	S.RESISTOR	ERJ3GEYJ 473 V (47 kΩ)
R45	7030003520	S.RESISTOR	ERJ3GEYJ 472 V (4.7 kΩ)
R46	7030003580	S.RESISTOR	ERJ3GEYJ 153 V (15 kΩ)
R47	7310003550	S.TRIMMER	MVR32HXBR N473
C5	4550000420	S.TANTALUM	TESVA 1A 105M1-8L
C7	4030006540	S.CERAMIC	C1808 SL 1H 030C-T-A
C8	4550002950	S.TANTALUM	TESVA 0J 335M1-8L
C25	4030008860	S.CERAMIC	C1808 JB 1H 102K-T-A
C26	4030007170	S.CERAMIC	C1808 CH 1H 221J-T-A
C27	4030007170	S.CERAMIC	C1808 CH 1H 221J-T-A
C28	4030008860	S.CERAMIC	C1808 JB 1C 223K-T-A
C29	4030008860	S.CERAMIC	C1808 JB 1H 102K-T-A
C32	4030006710	S.CERAMIC	C1808 SL 1H 470J-T-A
W2	7030003860	S.JUMPER	ERJ3GE JPW V
W3	7030003860	S.JUMPER	ERJ3GE JPW V
EP1	0910033592	PCB	B 3384B
MP1	8310026470	SHEET	1150 SEAL(A)

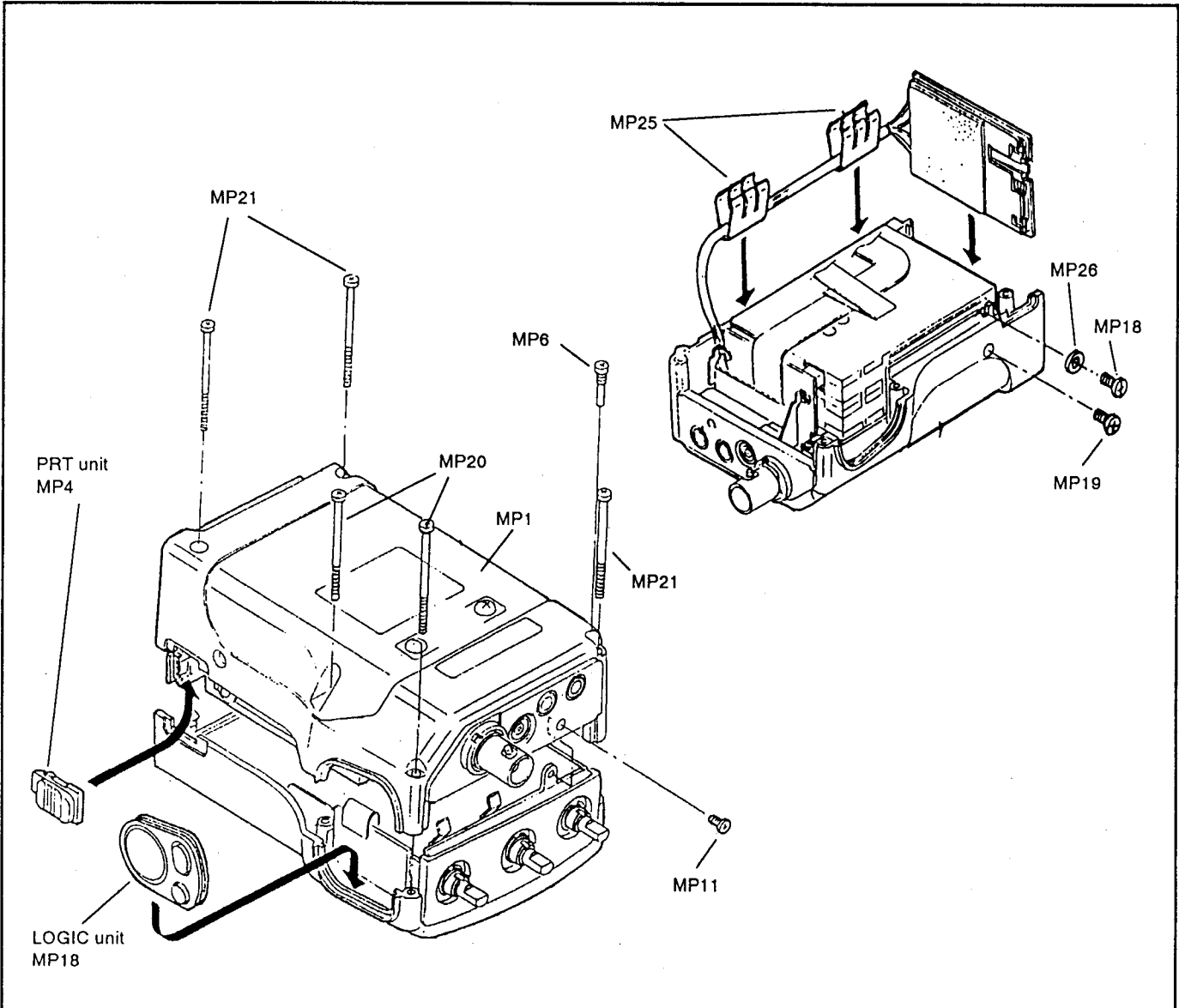
S.=Surface mount

[UNPACKING]

REF. NO.	ORDER NO.	DESCRIPTION	
EP1	Optional	ANTENNA	FA-3BA
EP2	Optional	BATTERY	BP-102 (EUR, UK, ITA, USA, AUS)
EP2	Optional	BATTERY	BP-100 (SEA)
EP3	5930000840	CHARGER	BC-77A (USA)
EP3	5930000850	CHARGER	BC-77D (EUR, ITA)
EP3	5930000920	CHARGER	BC-105V (AUS)
MP1	8010005710	HOLDER	Belt clip
MP2	8810005730	SCREW	BuH M3 X 3 black BS
MP3	8010011980	HANDLE	Handstrap HK-00

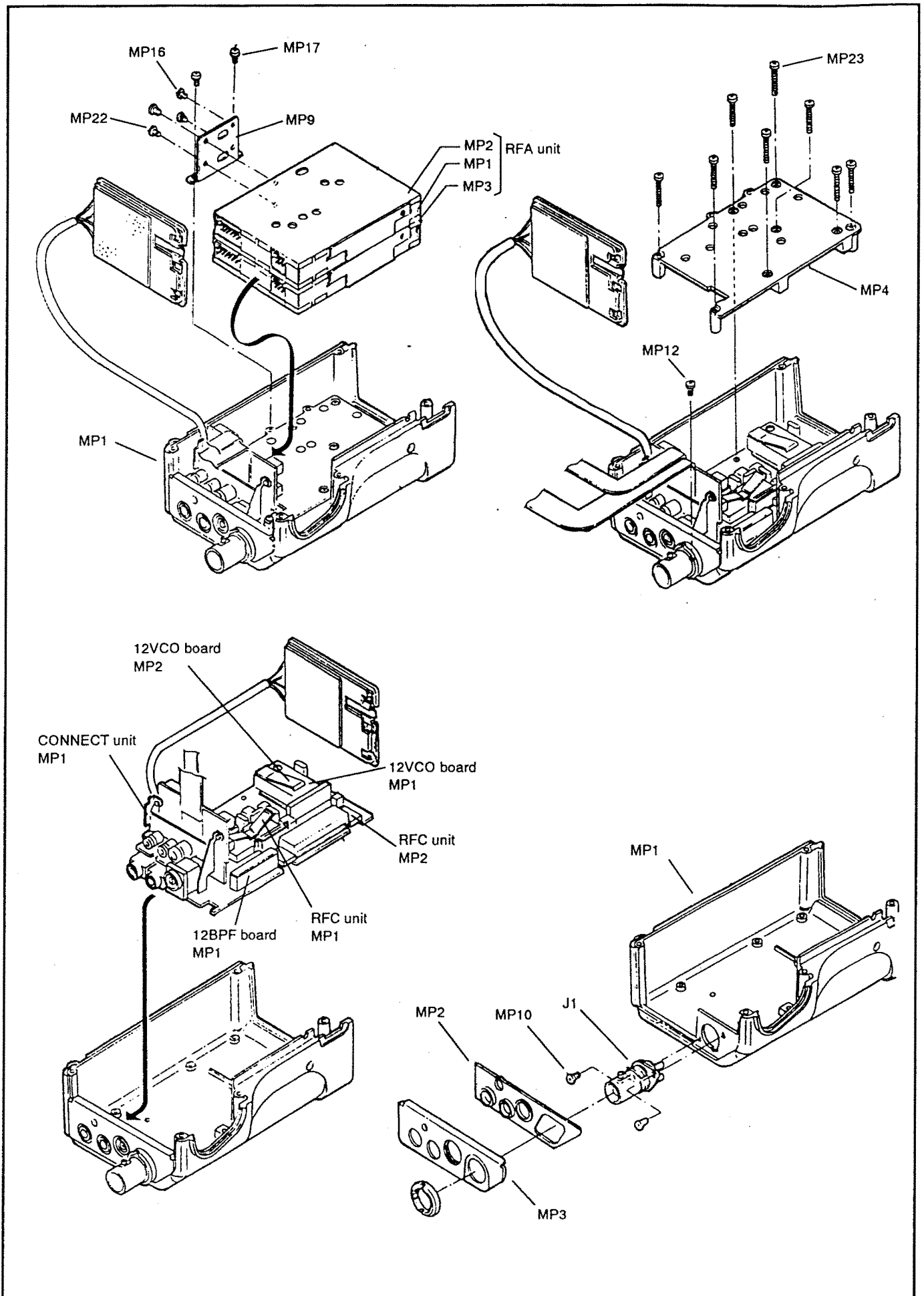
[CHASSIS]

REF. NO.	ORDER NO.	DESCRIPTION	
J1	8510013530	CONNECTOR	BNC-R000
MP1	8010011830	PANEL	936 Rear panel
MP2	8930022510	SEAL	C-TOP seal
MP3	8210008650	PANEL	936 C-TOP panel
MP4	8110004590	COVER	936 RF cover
MP6	8820000820	SCREW	873 Screw
MP7	8930025510	SEAL	Connector seal (A)-1
MP8	8010007802	PIPE	Hole cap (A)-2
MP9	8930022370	HOLDER	936 Unit holder
MP10	8810007500	SCREW	FH No. 0 M2 X3 NI
MP11	8810005700	SCREW	PH No. 0 M2 X4 black
MP12	8810008620	SCREW	PH No. 0 M2 X3.5 NI
MP16	8810008570	SCREW	PH No. 0 M2 X2
MP17	8810005880	SCREW	PH No. 0 M2 X3 NI
MP18	8810005700	SCREW	PH No. 0 M2 X4 black
MP19	8810005700	SCREW	PH No. 0 M2 X4 black
MP20	8810008190	SCREW	PHB0 M2 X23 ZK
MP21	8810004000	SCREW	PHB0 M2 X31.5 black
MP22	8810008570	SCREW	PH No. 0 M2 X2
MP23	8810007020	SCREW	PH No. 0 M2 X11
MP25	8930001180	HOLDER	Ground contact FX 22
MP26	8850000110	WASHER	Flat washer M 2 NI BS
MP28	8510008220	PLATE	936 Antenna shield



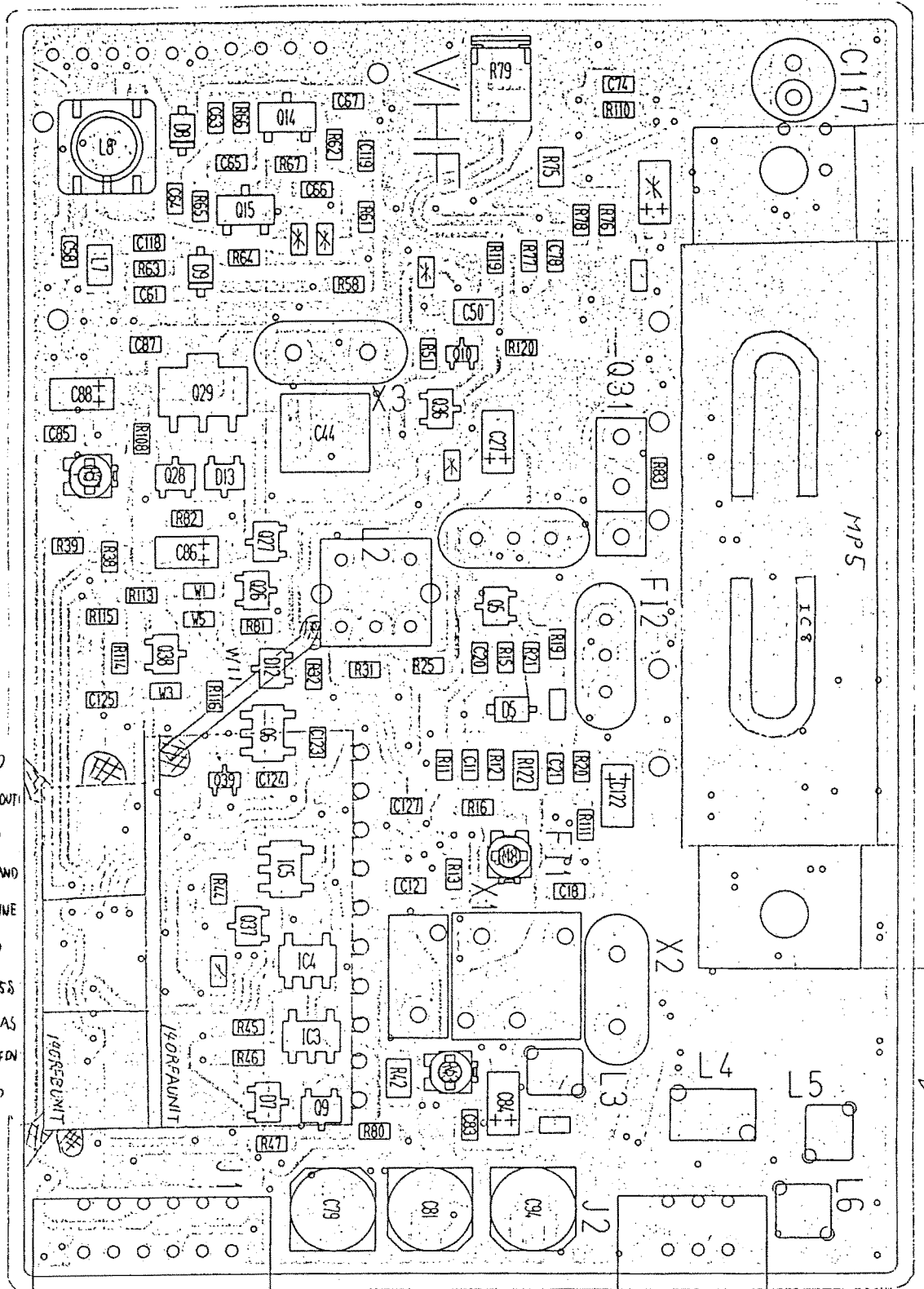
S.=Surface mount

[CHASSIS]

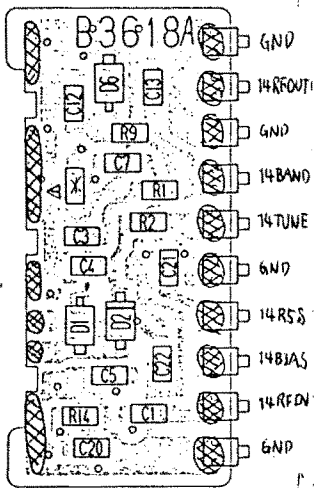


S.=Surface mount

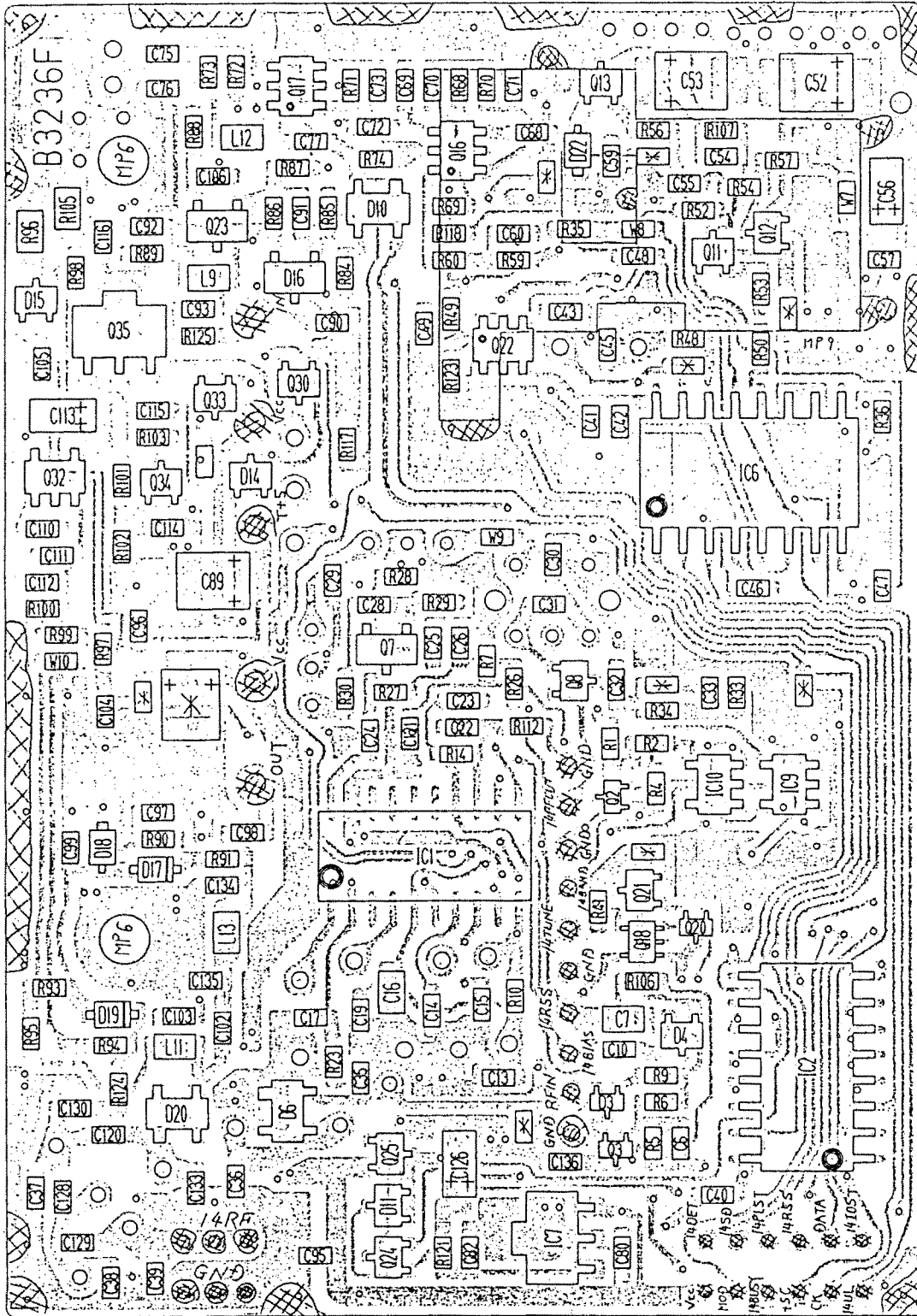
BOARD LAYOUT



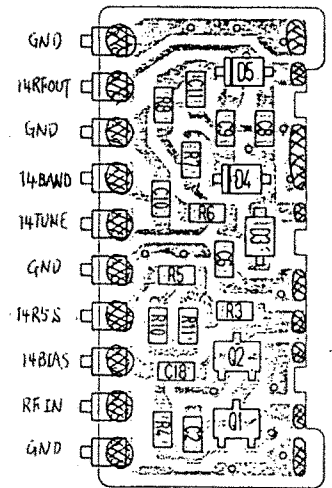
140 RFA BOARD



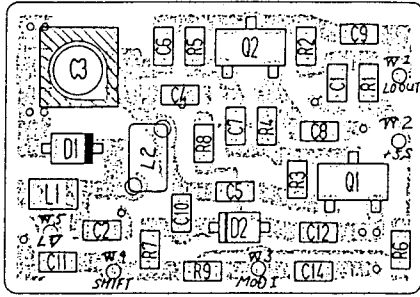
RFA UNIT



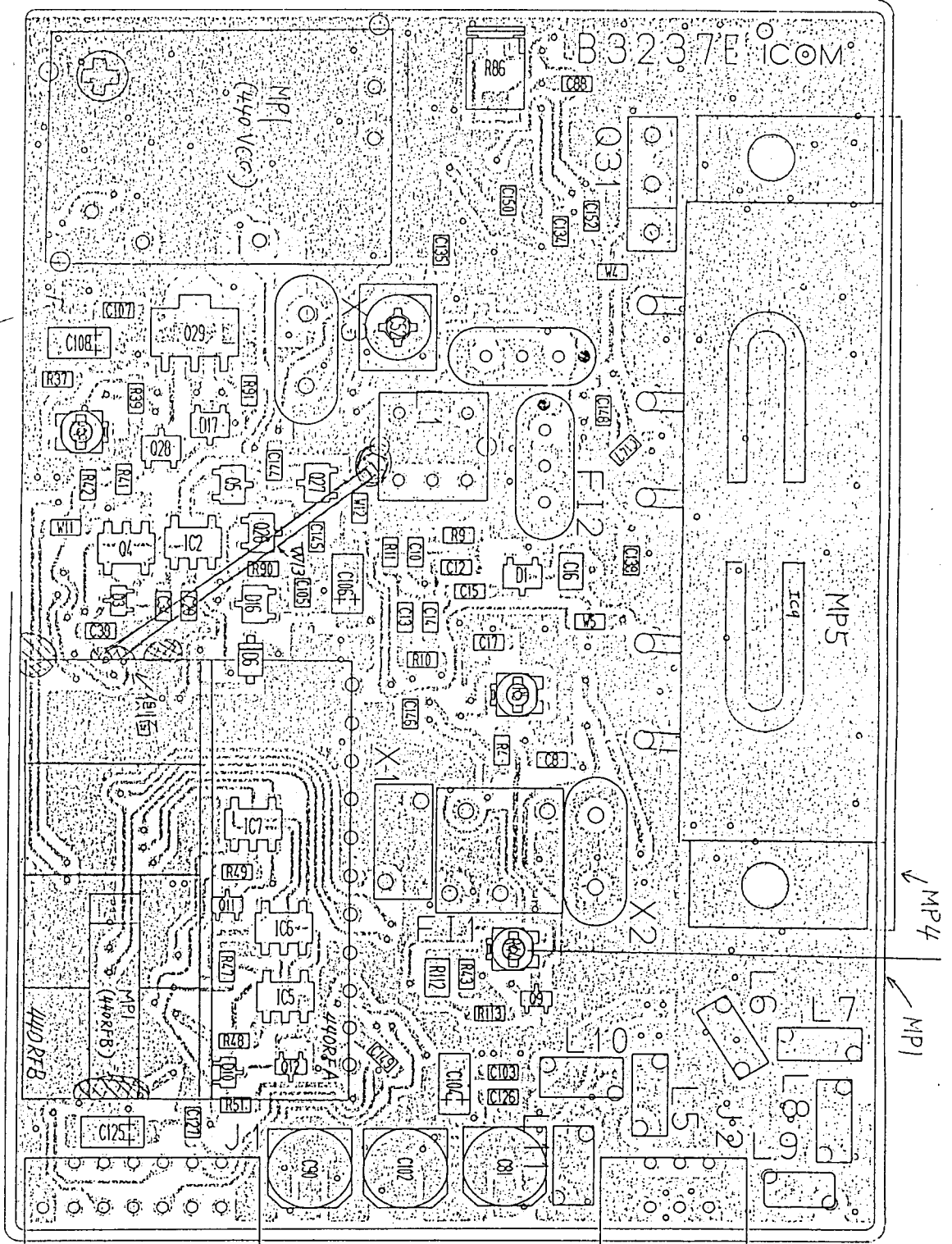
140 RFA BOARD



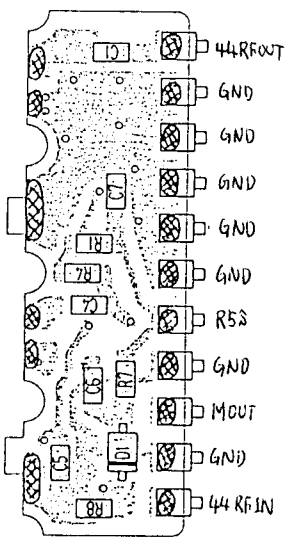
440 VCO BOARD



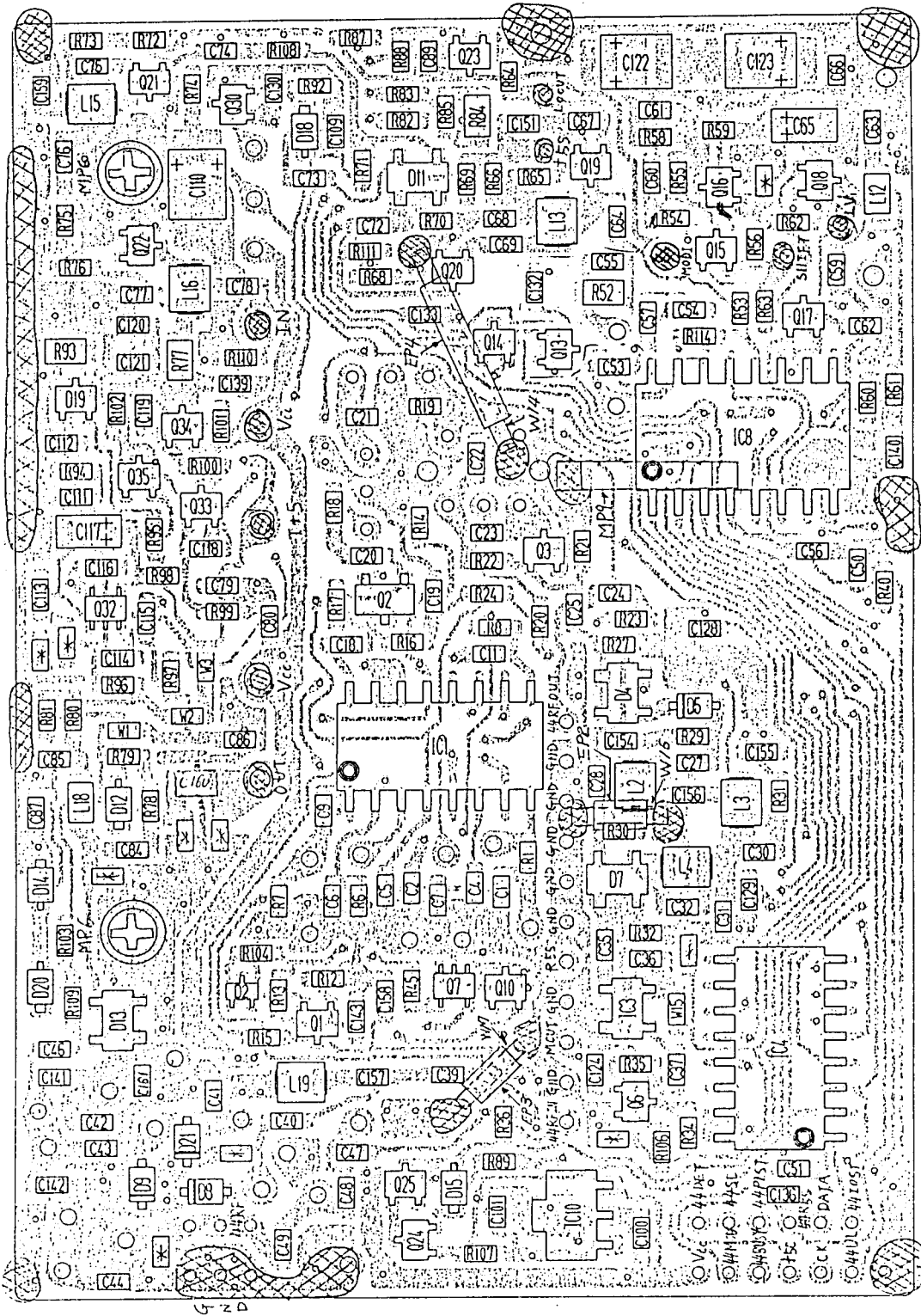
RFB UNIT



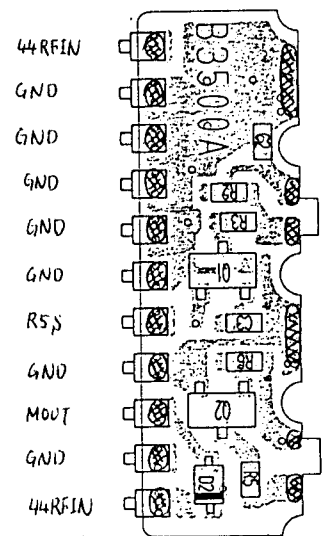
440 RFA BOARD



RFB UNIT



440 RFA BOARD

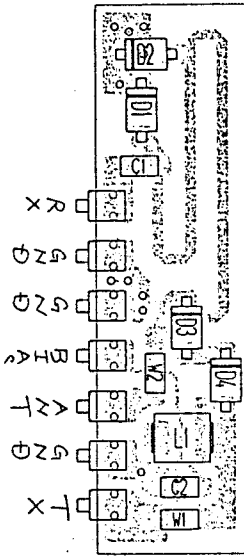


RFC UNIT

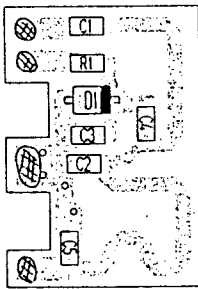
MP/2
(CHASSIS)

W/6

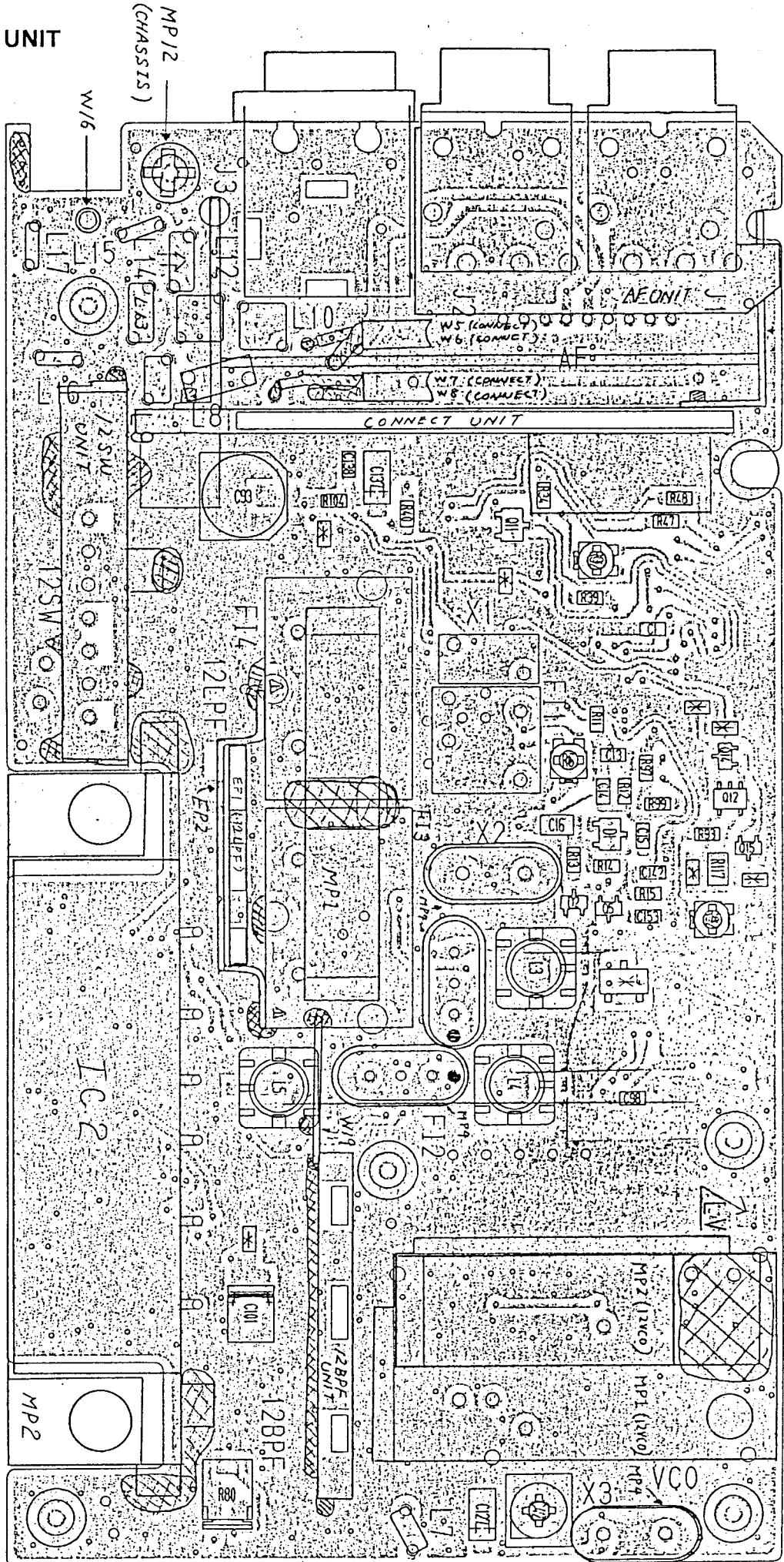
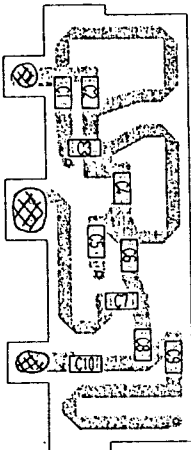
12 SW BOARD



12 LPF BOARD

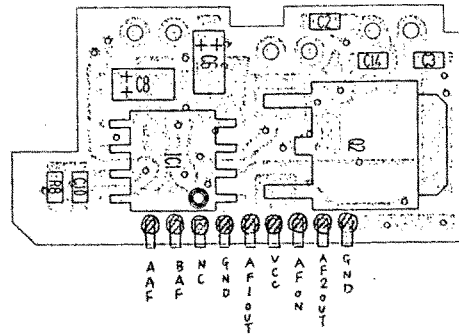


12 BPF BOARD

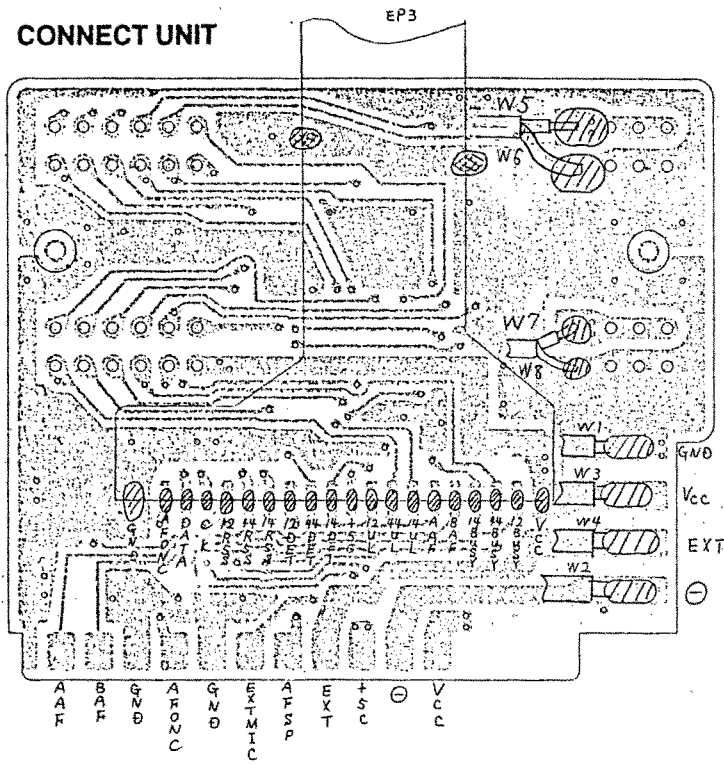


RFC UNIT

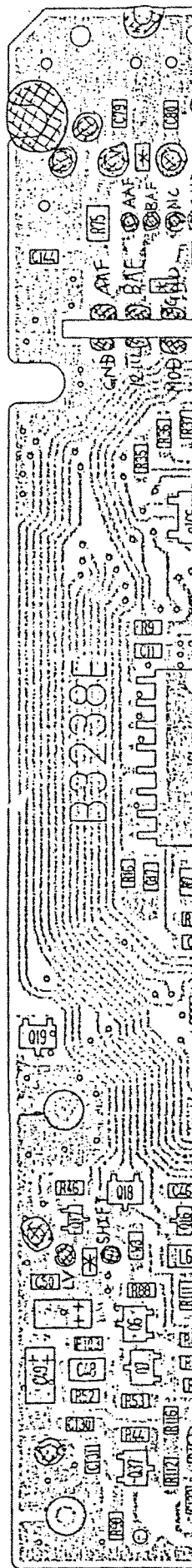
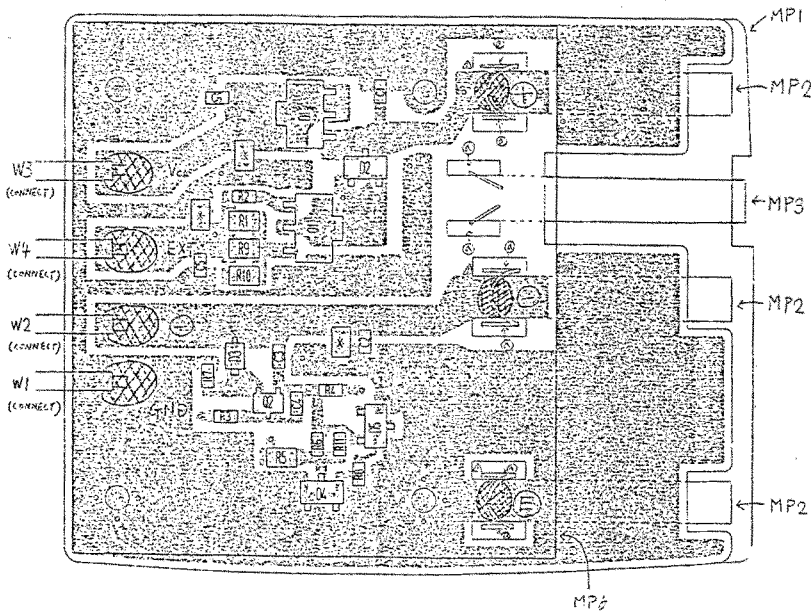
AF BOARD



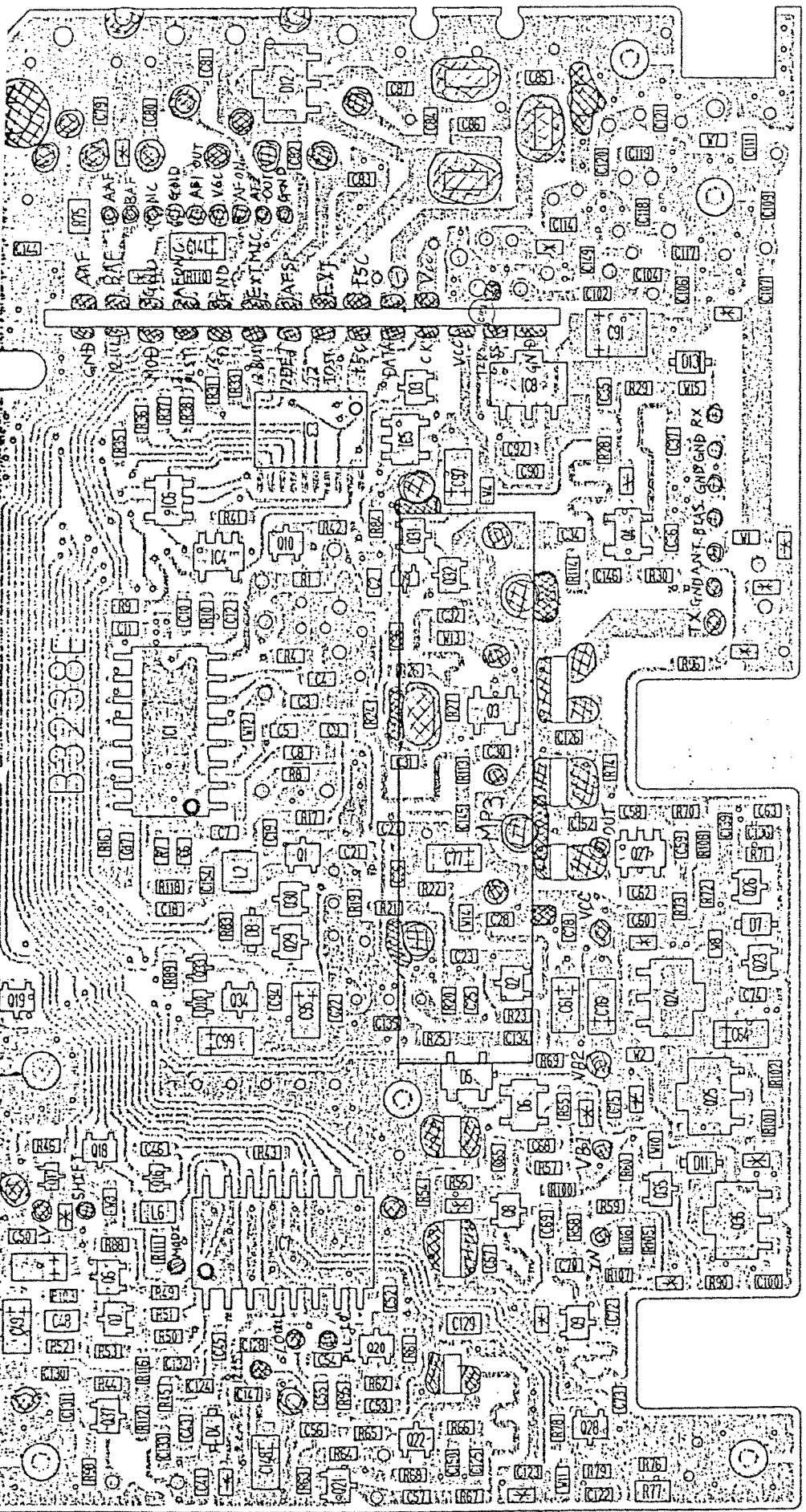
CONNECT UNIT

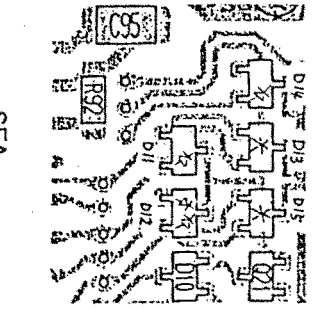
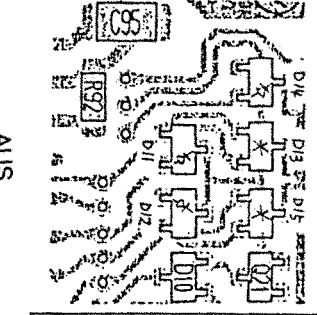
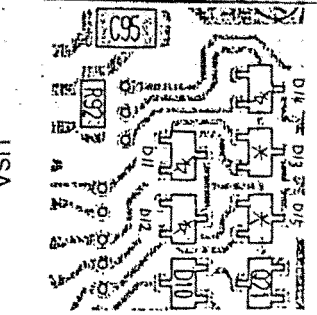
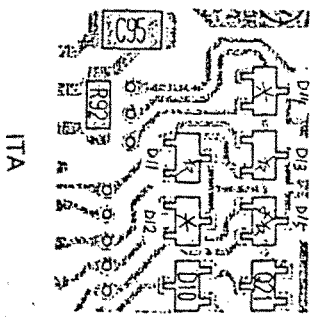
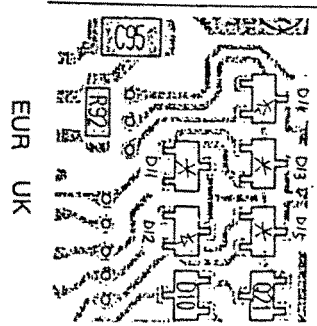
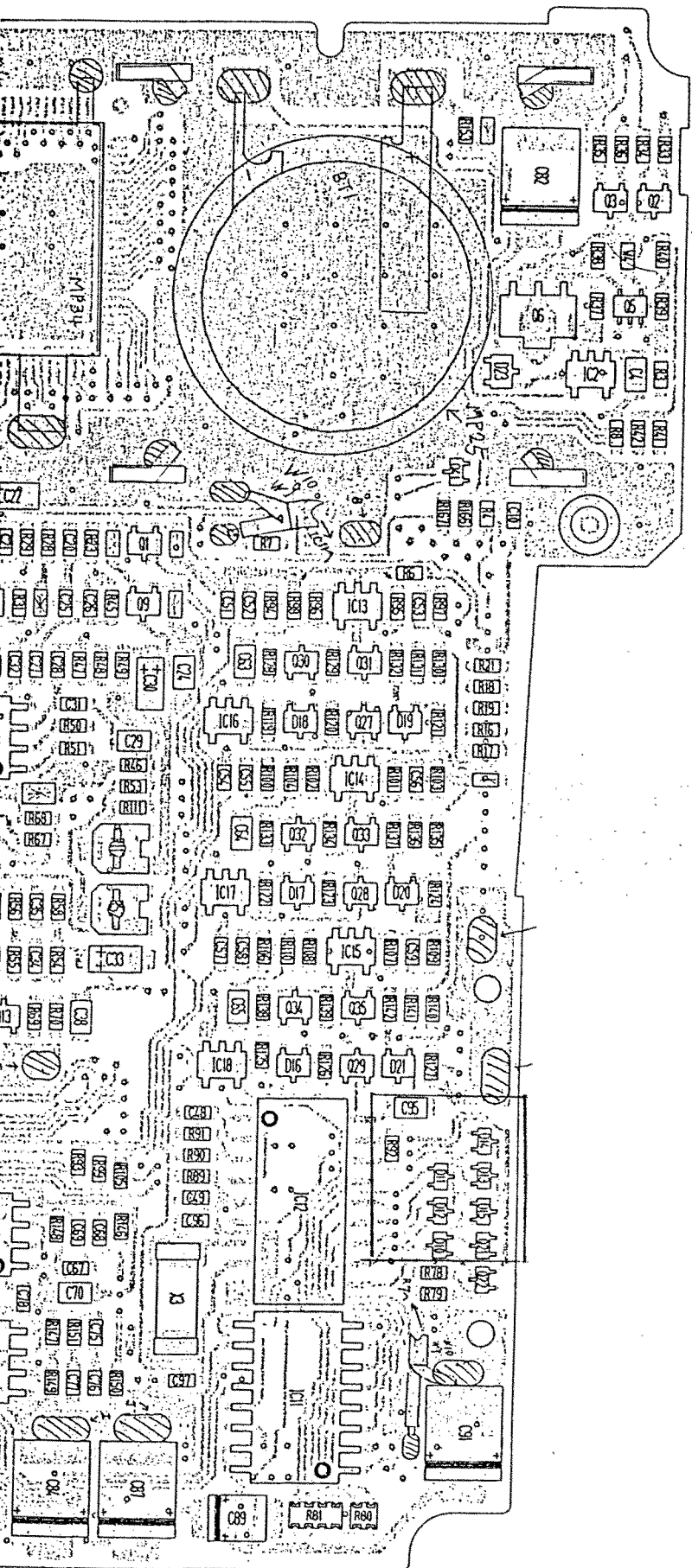


PRT UNIT



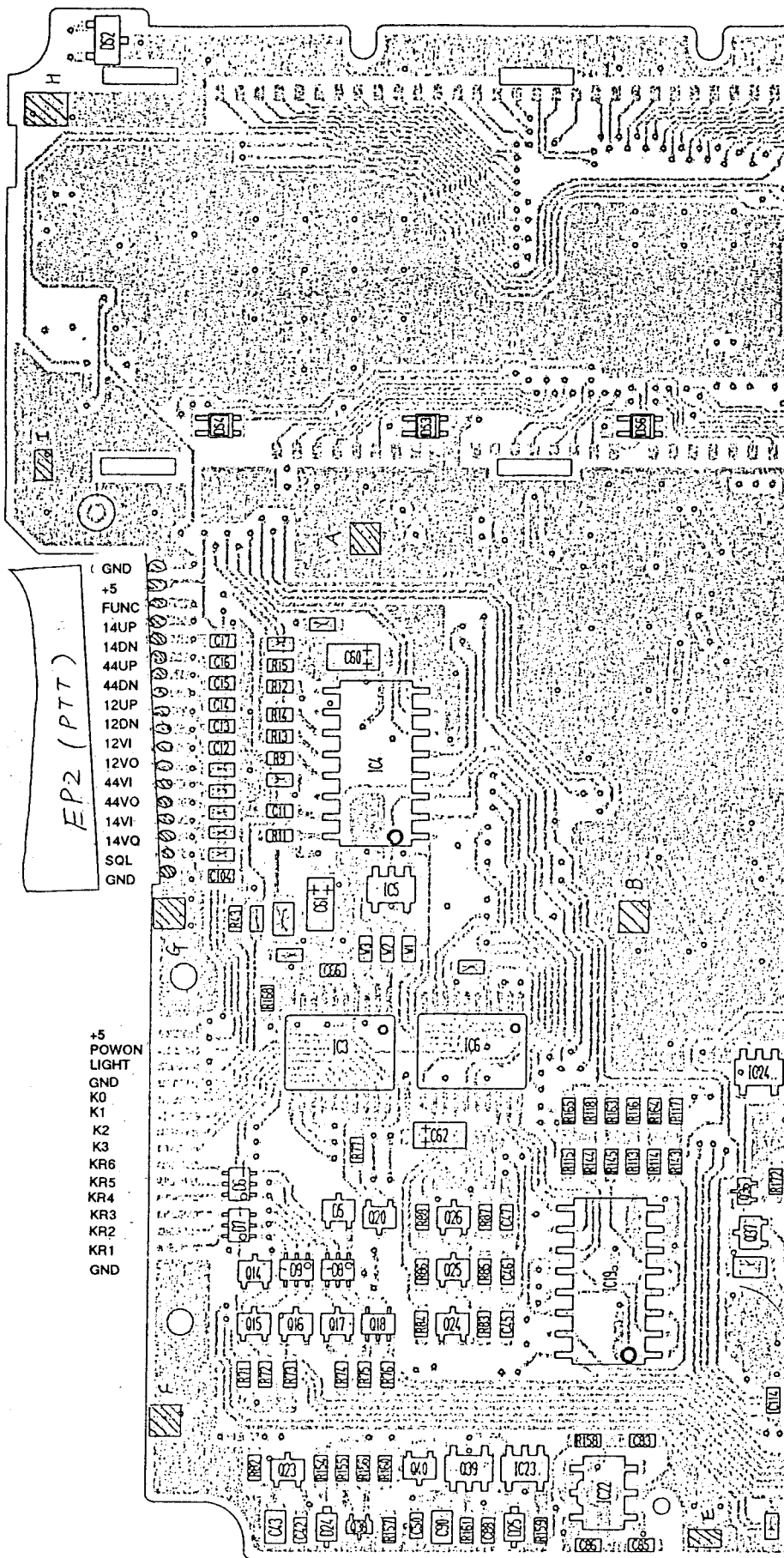
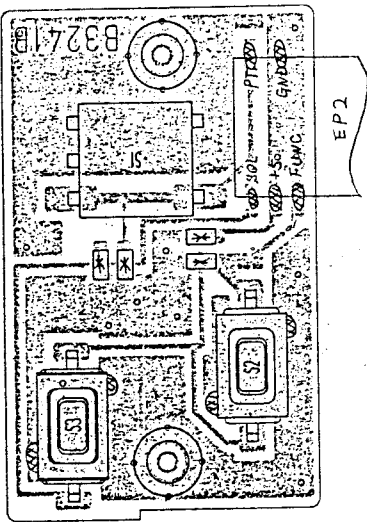
FC UNIT





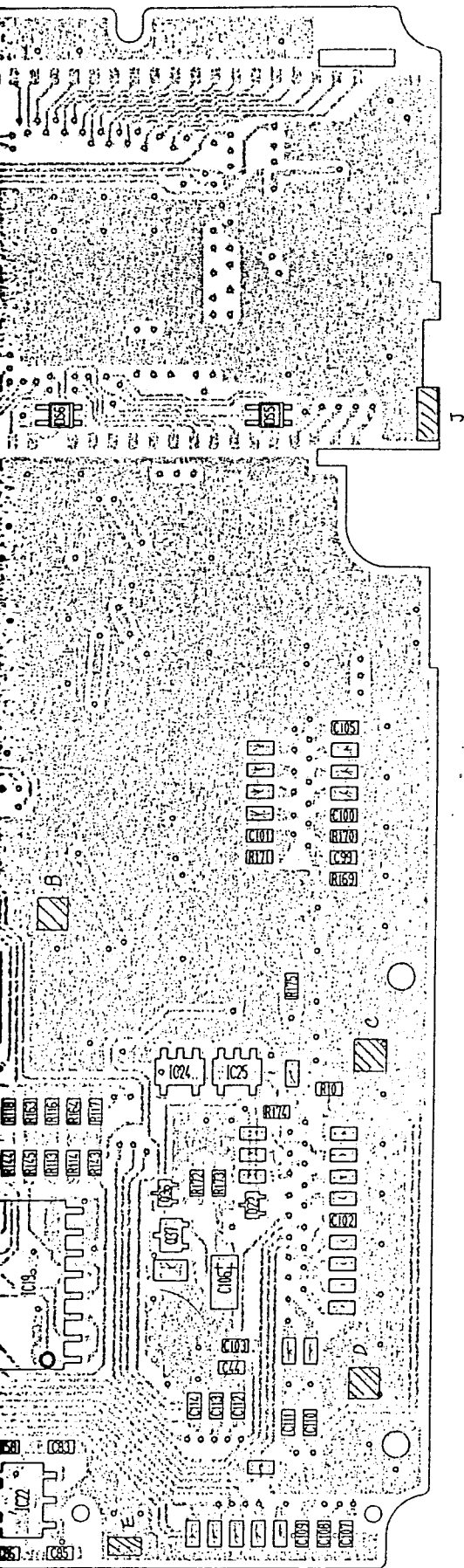
LOGIC UNIT

PTT UNIT

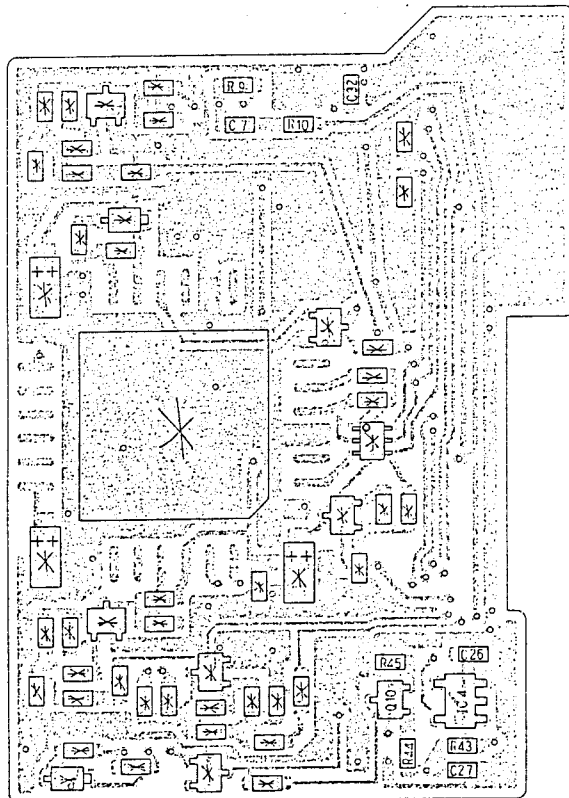


- EP2 (PTT)
- (GND
 - +5
 - FUNC
 - 14UP
 - 14DN
 - 44UP
 - 44DN
 - 12UP
 - 12DN
 - 12VI
 - 12VO
 - 44VI
 - 44VO
 - 14VI
 - 14VO
 - SQL
 - GND

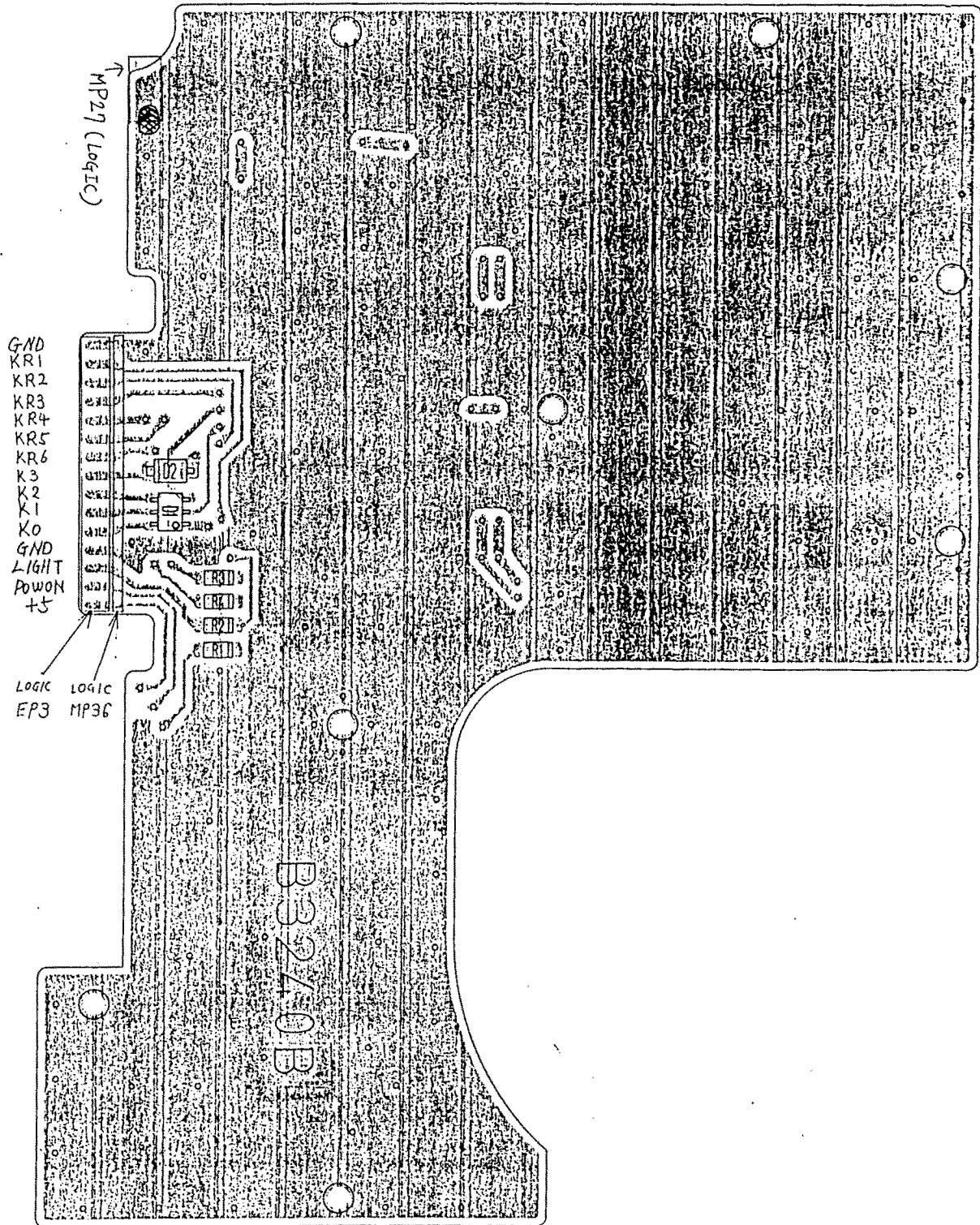
- +5
- POWON
- LIGHT
- GND
- K0
- K1
- K2
- K3
- KR6
- KR5
- KR4
- KR3
- KR2
- KR1
- GND



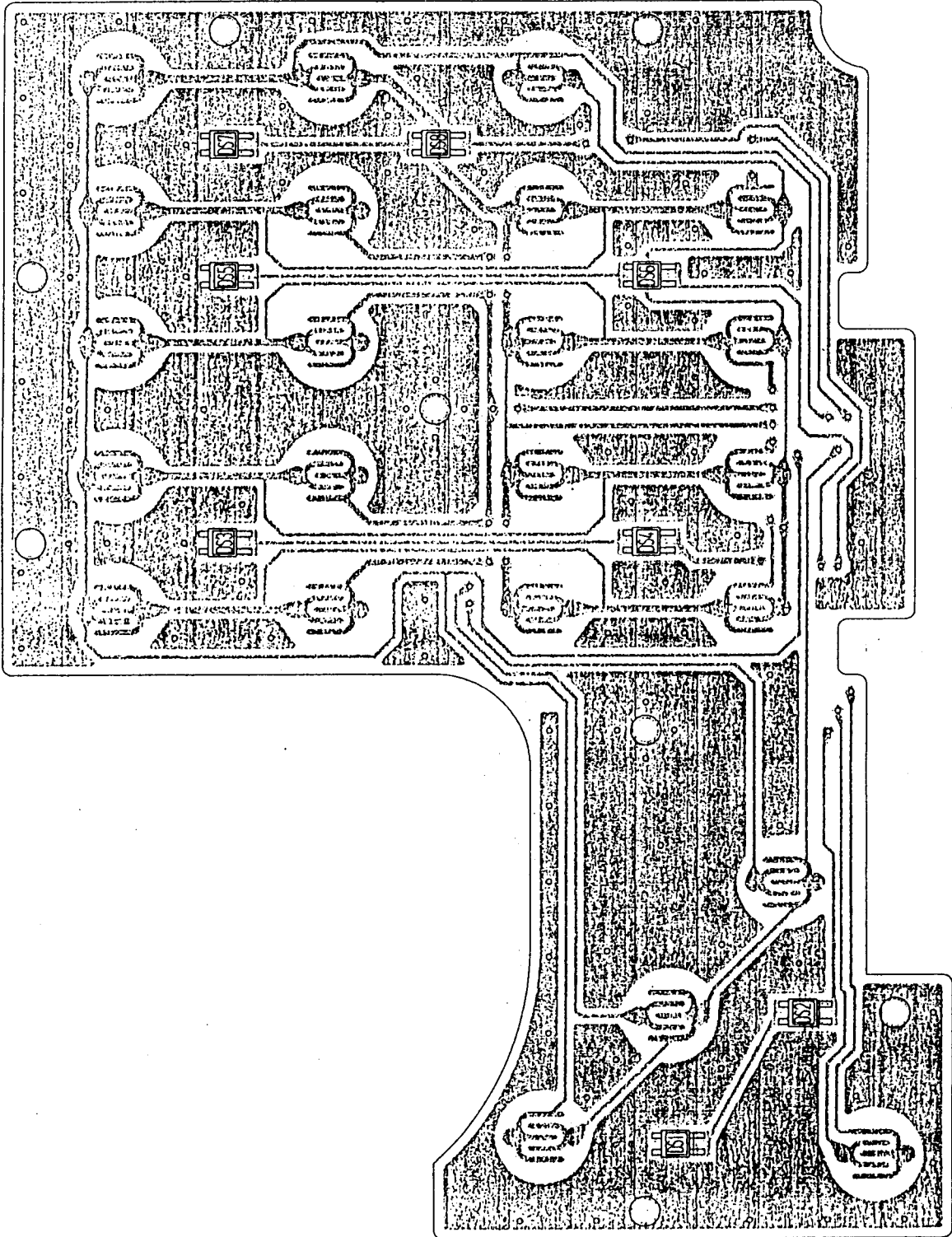
TONE UNIT (USA only)

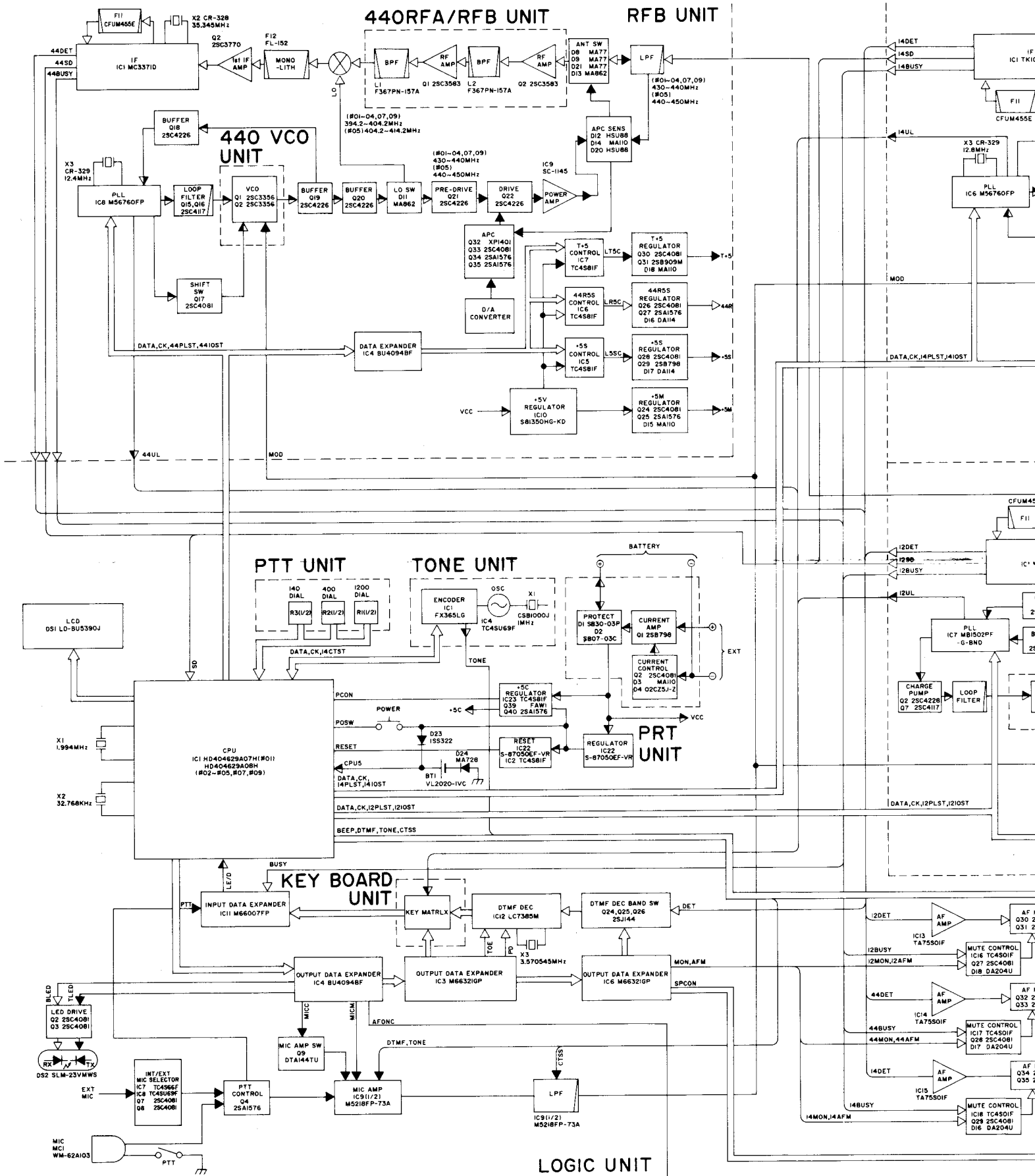


KEYBOARD UNIT

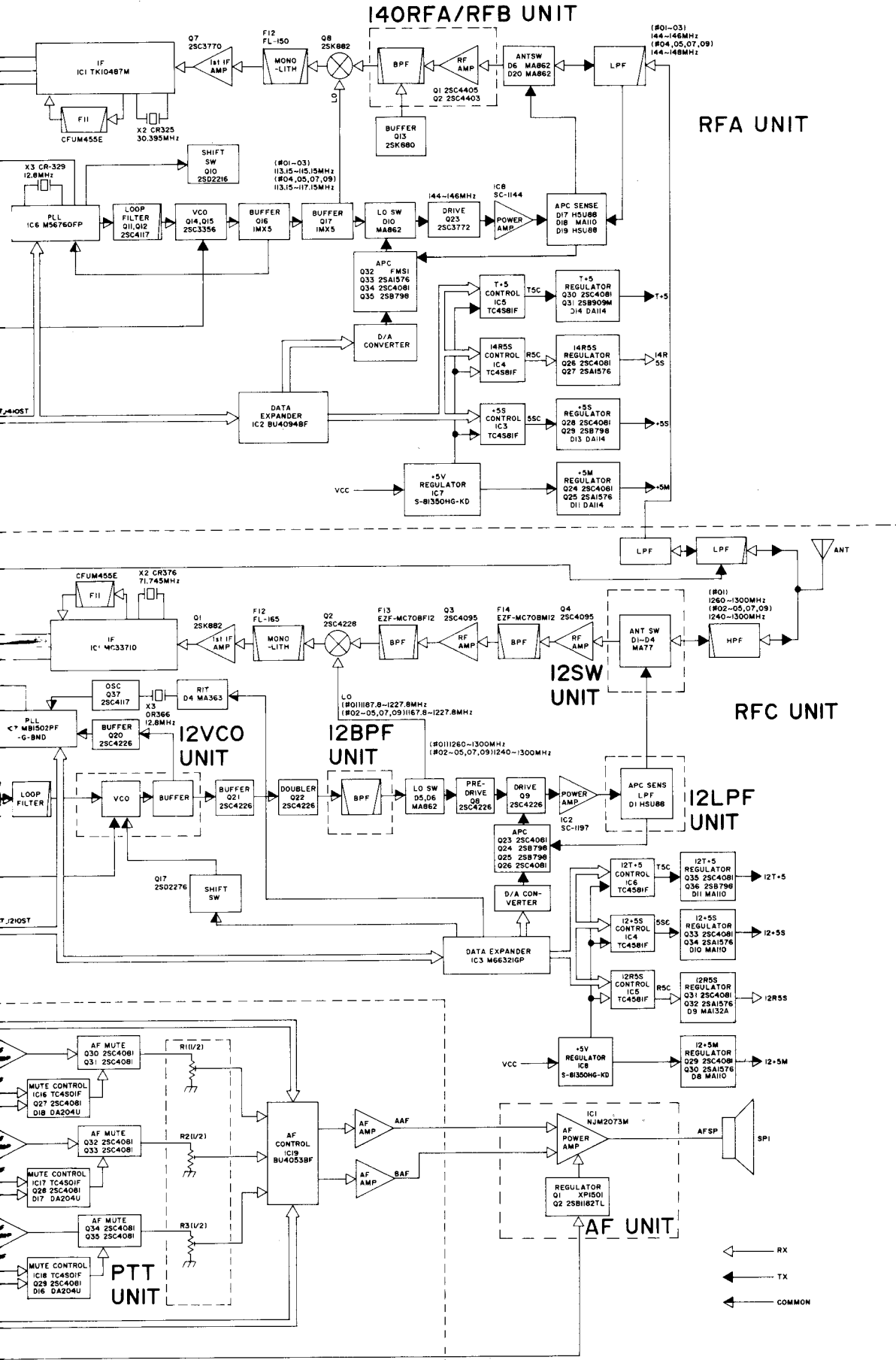


KEYBOARD UNIT





BLOCK DIAGRAM

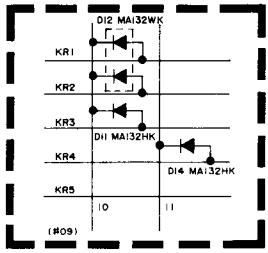
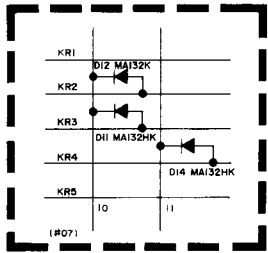
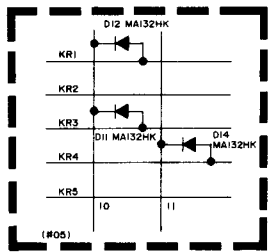
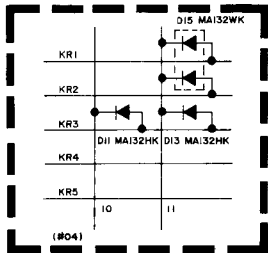
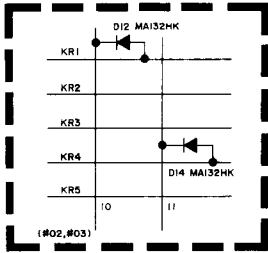
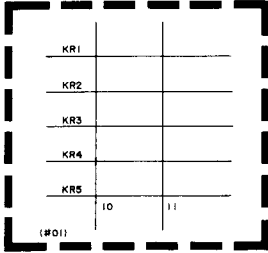


To upgrade quality, some components may be subject to change without notice.

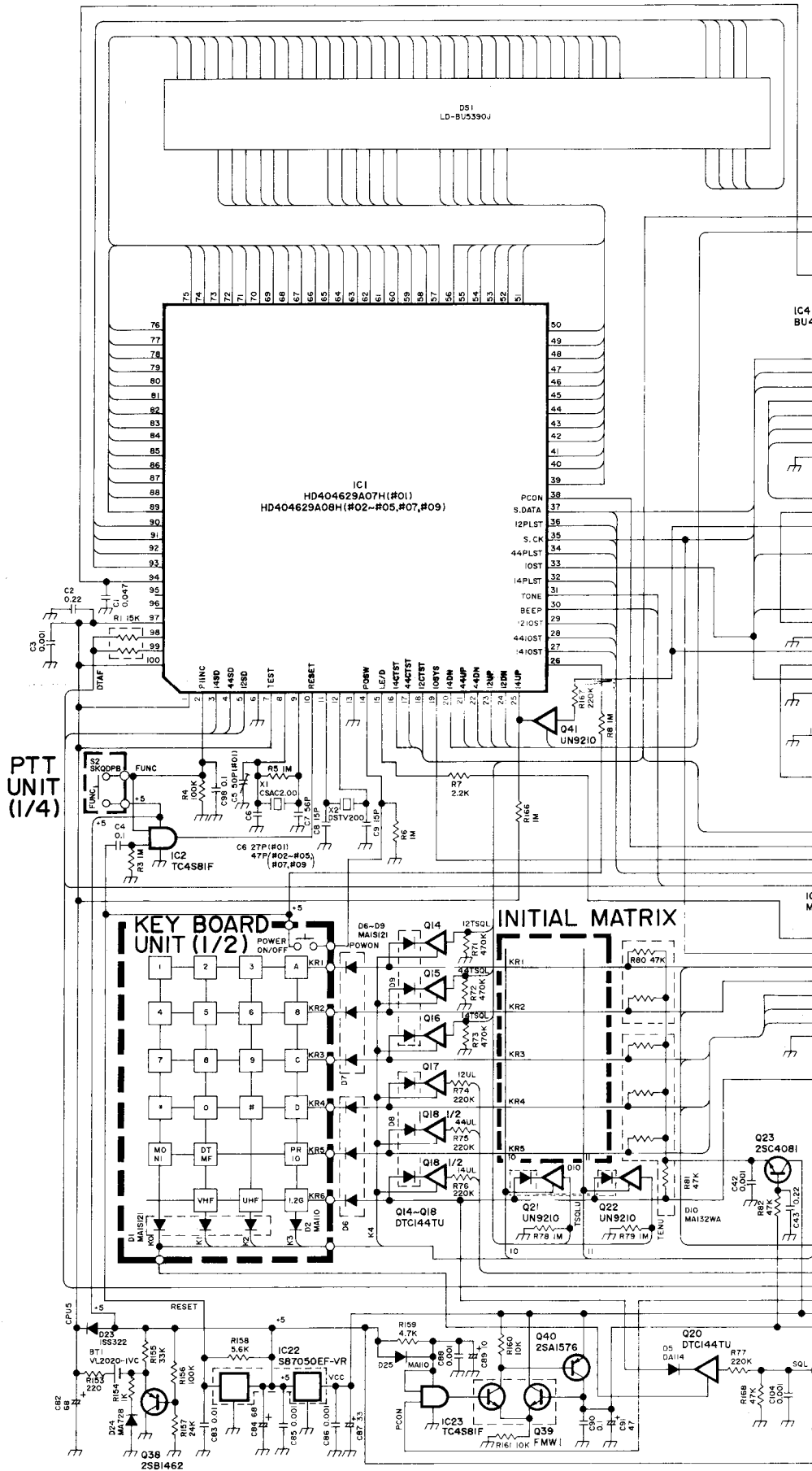
A-5207S-2EX
 Printed in Japan
 Copyright © 1992 by Icom Inc.

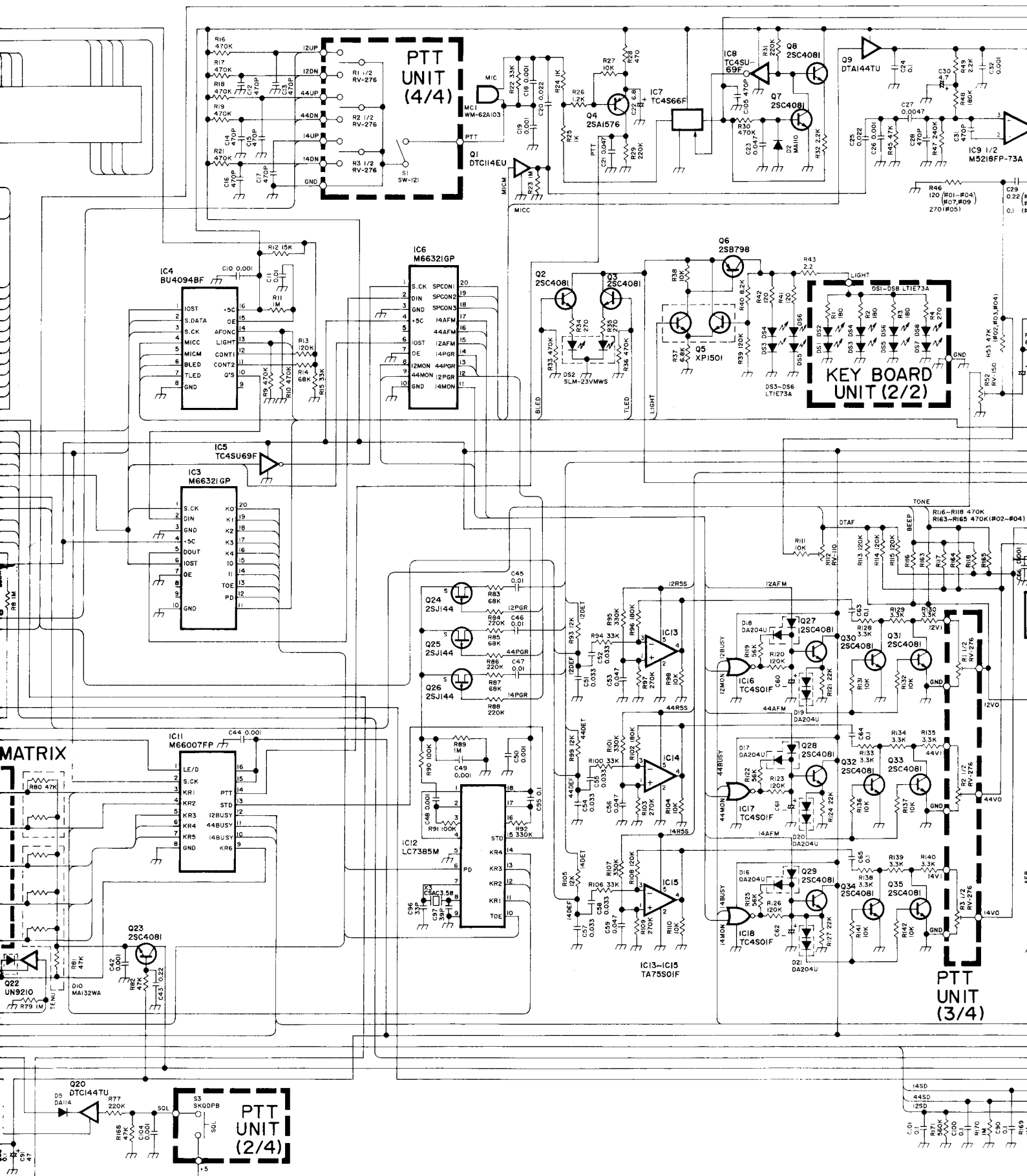
Icom Inc.

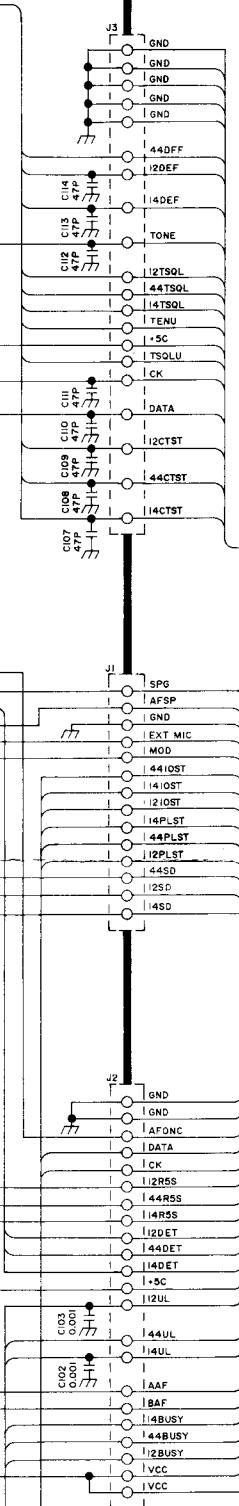
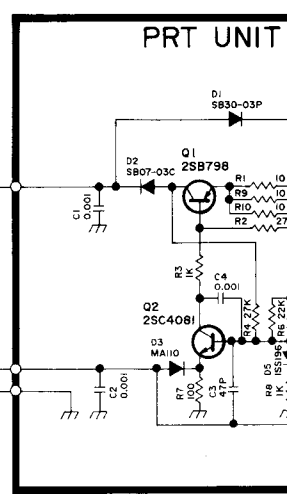
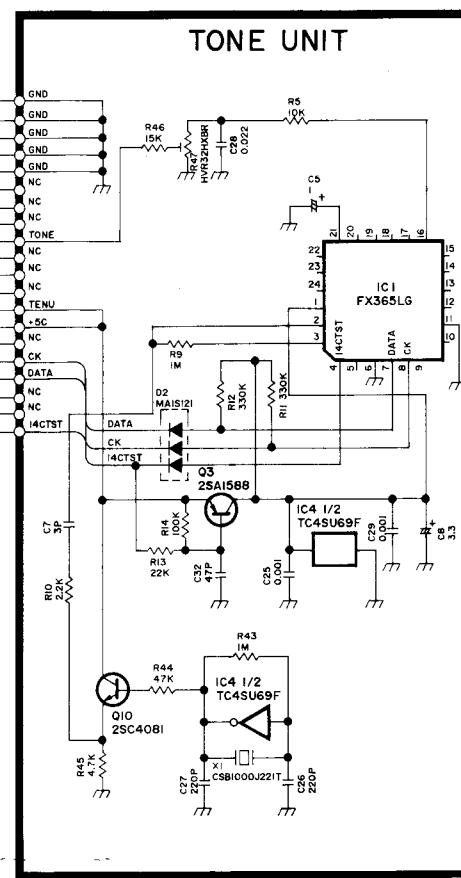
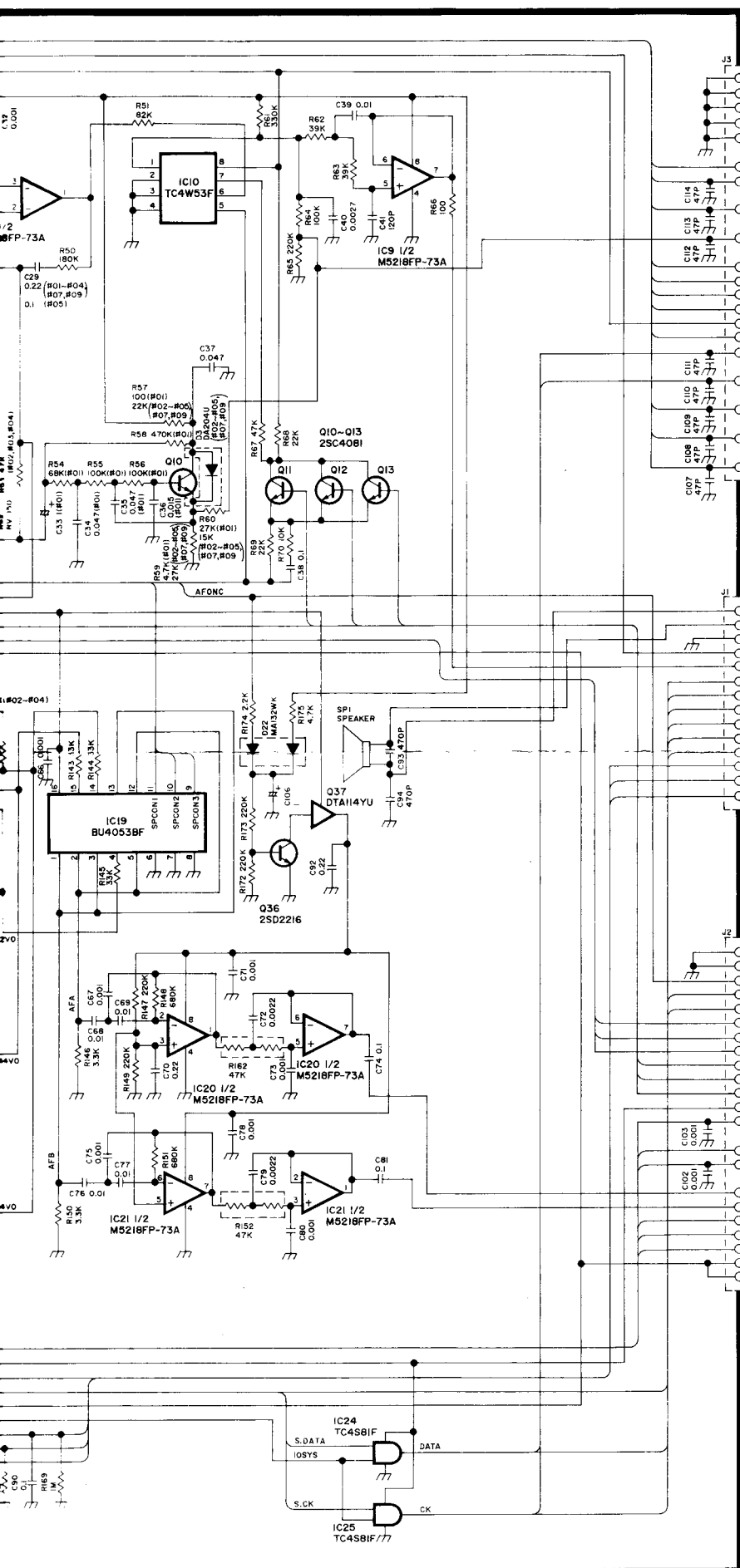
INITIAL MATRIX



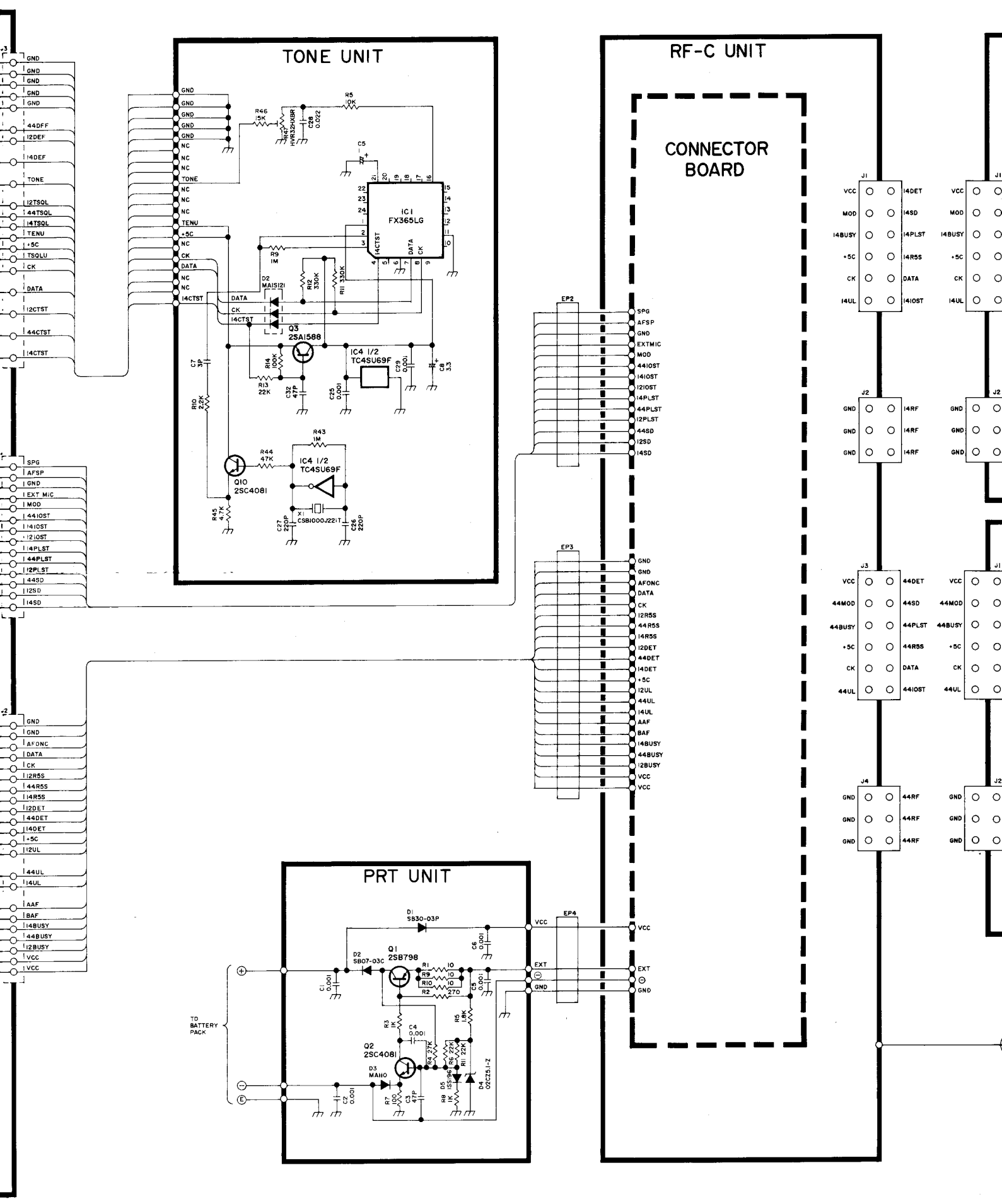
LOGIC UNIT

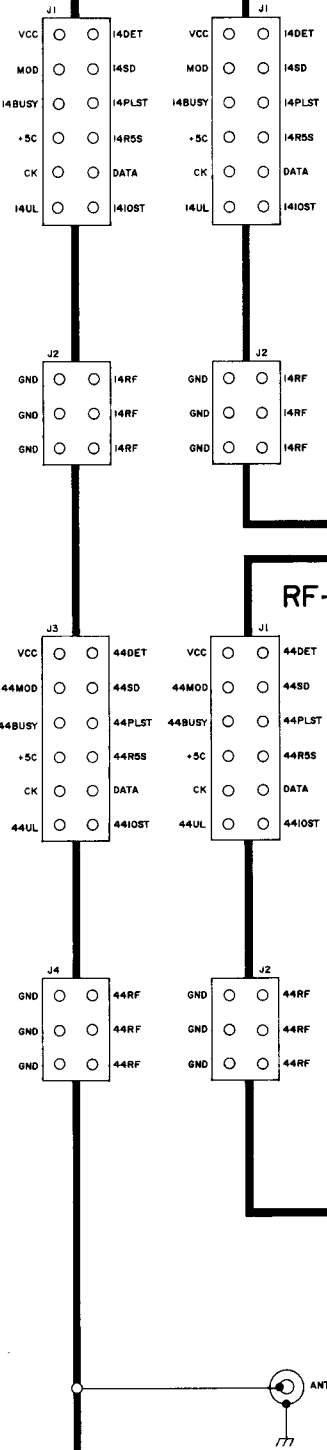
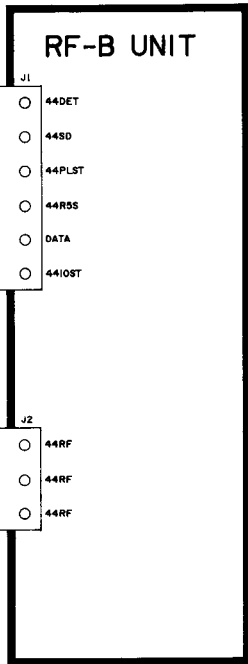
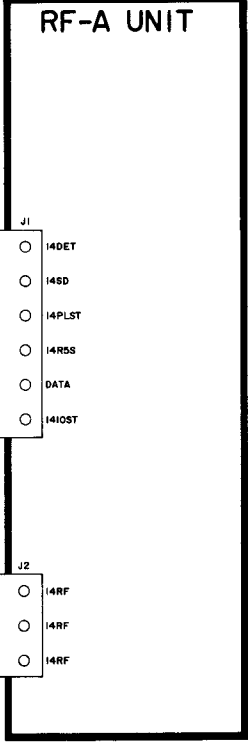
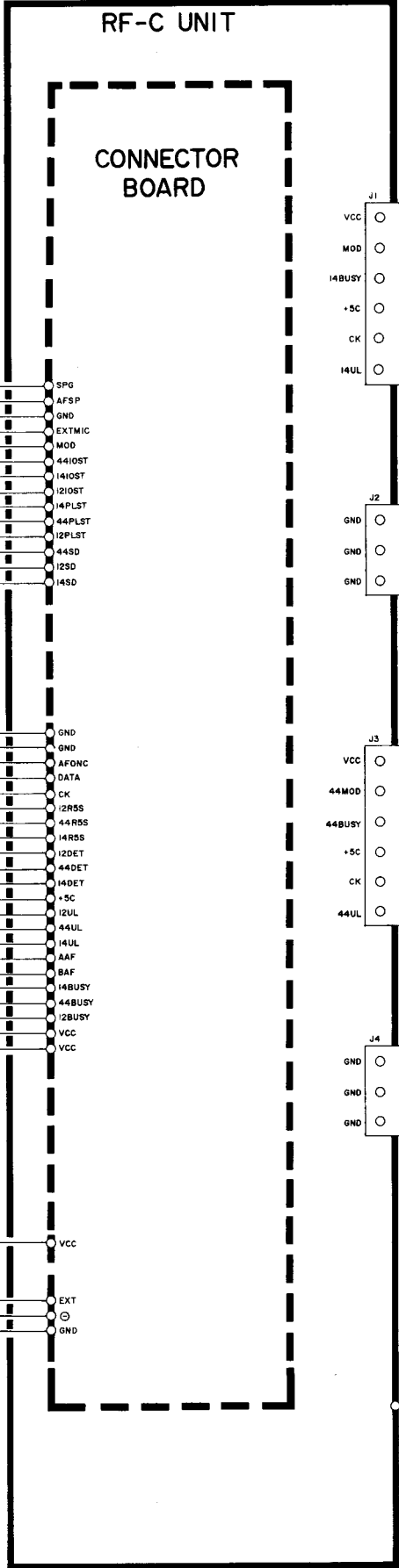
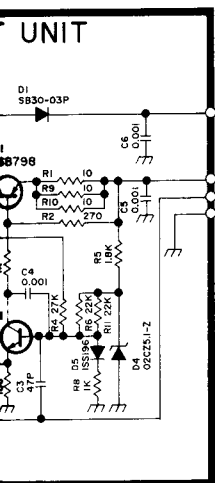
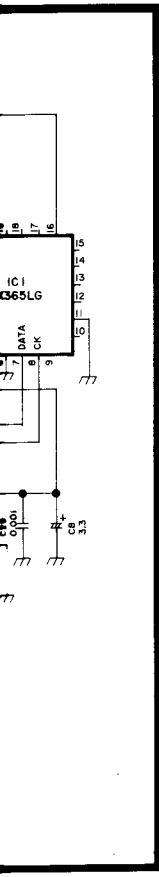






TO BATTERY PACK

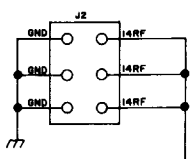
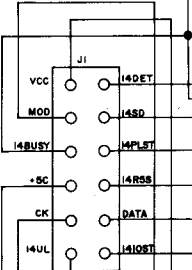
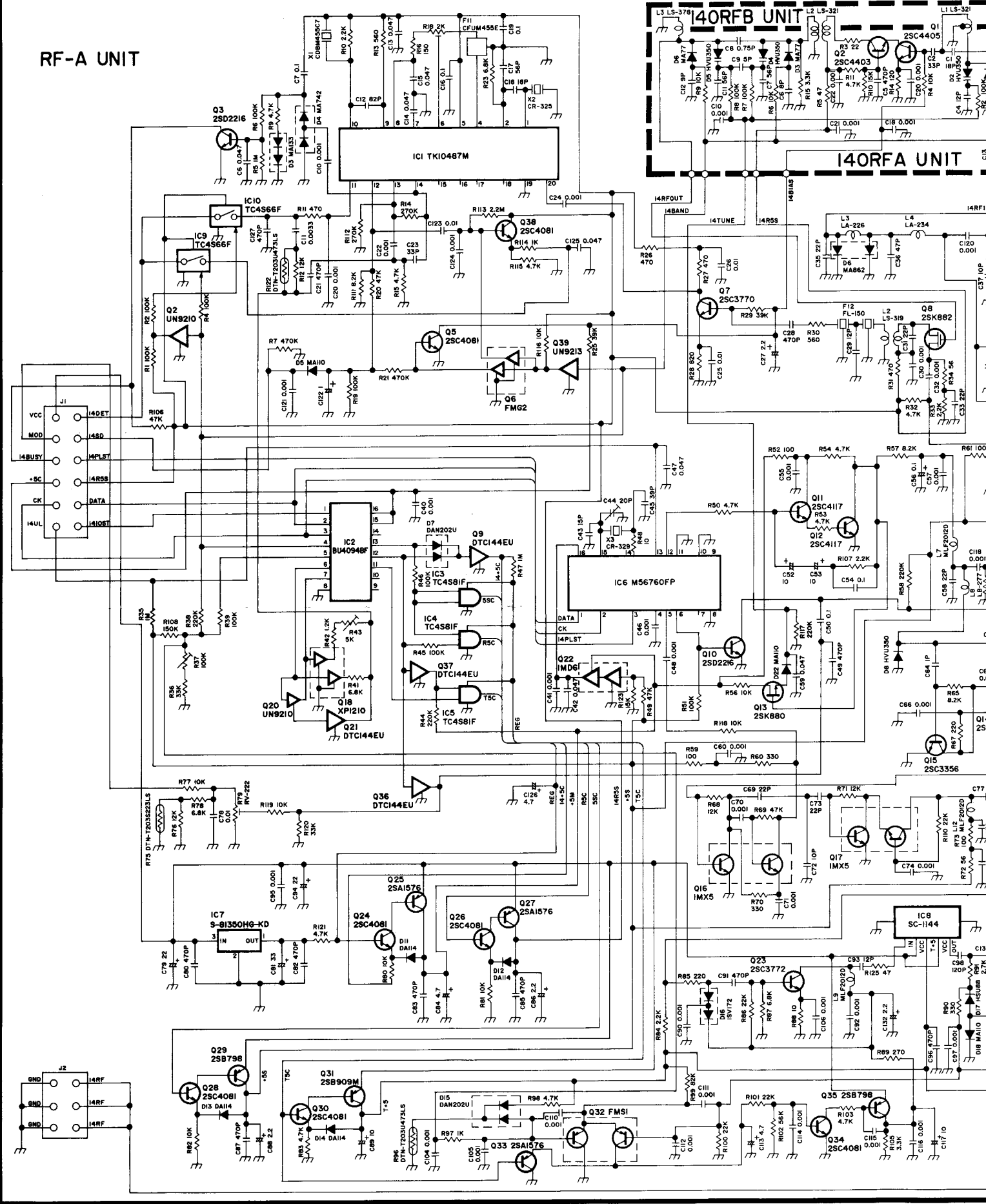




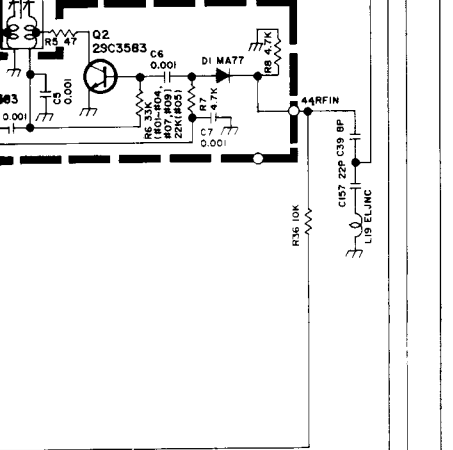
RF-A UNIT

14ORFB UNIT

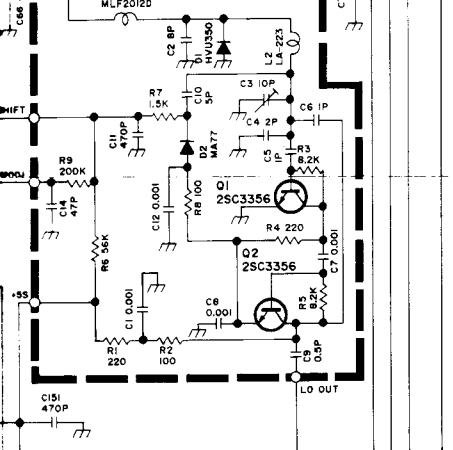
14ORFA UNIT



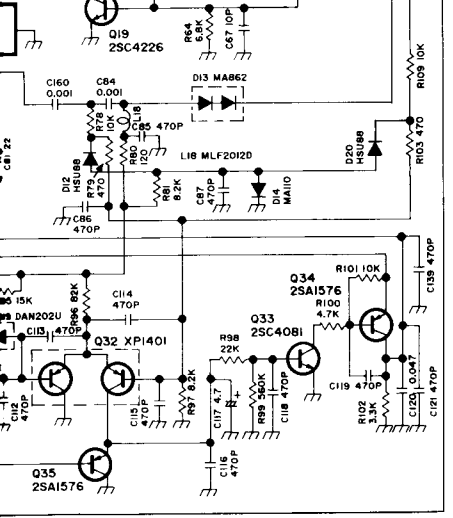
440RFA UNIT



440 VCO UNIT

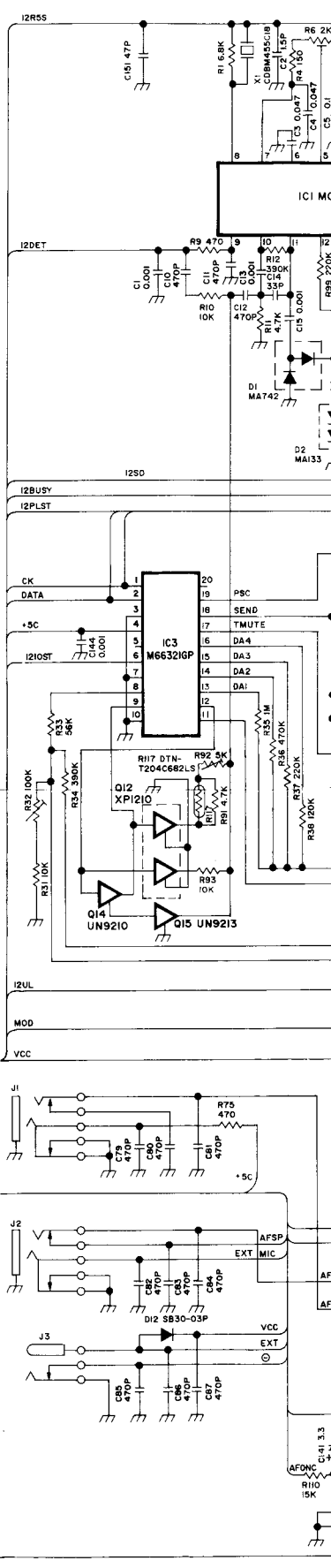
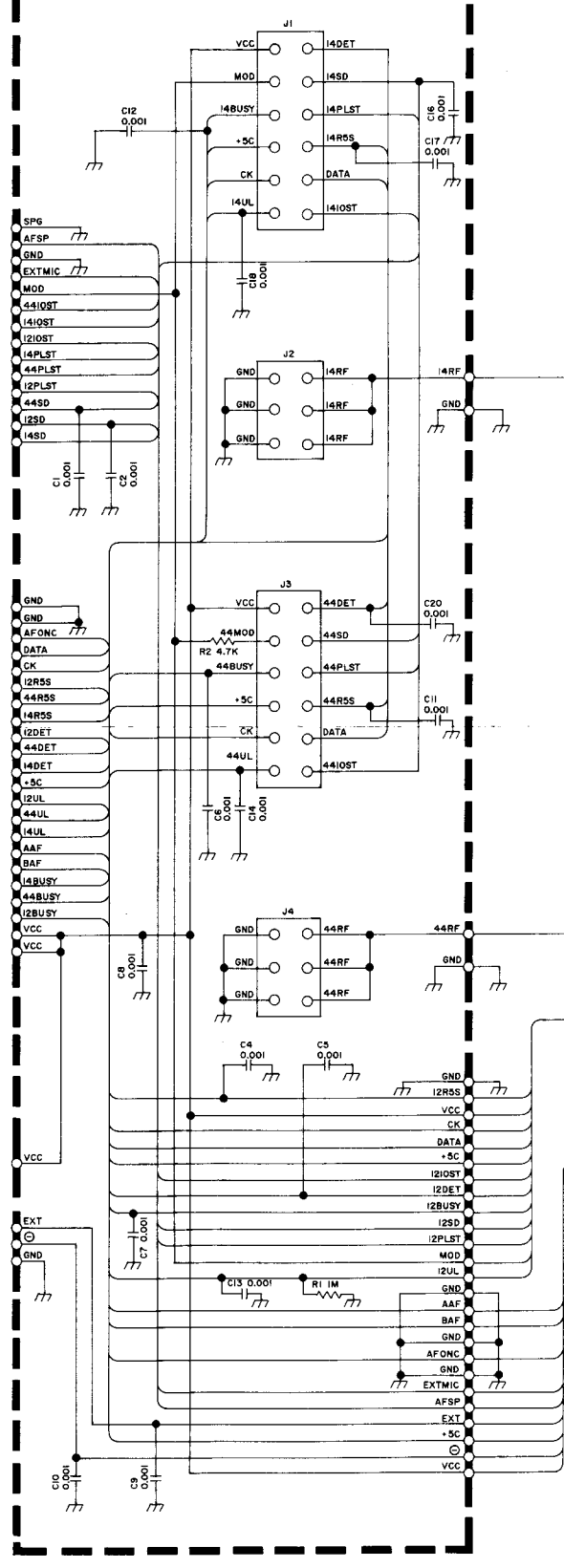


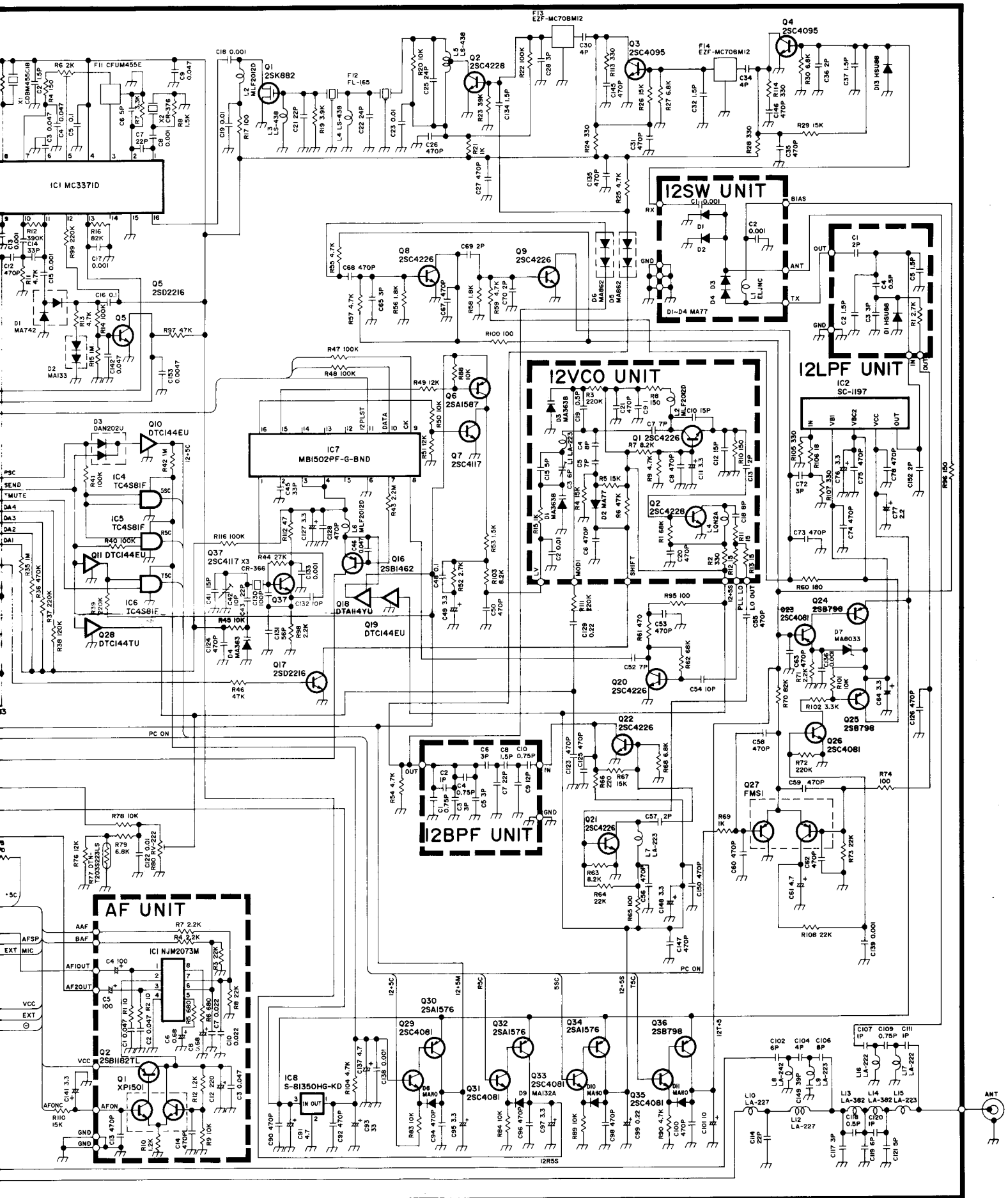
440 AF UNIT



RF-C UNIT

CONNECTOR BOARD





To upgrade quality, some components may be subject to change without notice.

A-5207S-2EX
 Printed in Japan
 Copyright © 1992 by Icom Inc.

Icom Inc.

Count on us!

Icom Inc.

6-9-16, Kamihigashi, Hirano-ku, Osaka, 547, Japan