

Jan. 2009



SERVICE MANUAL ADDENDUM

IC-E92D

CONTENTS

PARTS LIST	1
BOARD LAYOUTS	13
VOLTAGE DIAGRAM	15

PARTS LIST

[RF UNIT]

REF NO.	PARTS NO.	DESCRIPTION	M.	H/V LOCATION
IC100	1110007060	S.IC UPC3223TB-E3	T	40.2/8.5
IC150	1110004050	S.IC NJM3404AV-TE1-#FMZB	B	27/5.5
IC800	1130013000	S.IC LMX2313USLDX/NOPB	T	29.6/27.2
IC900	1110005230	S.IC UPC2757TB-E3	T	39/16.6
IC950	1130012000	S.IC M62352AGP C60Q	T	35.1/40.4
IC951	1130011760	S.IC CD4094BPWR	B	33.8/41.9
Q1	1590002010	S.TRA XP1114(TX)	B	4.7/10.9
Q2	1590003280	S.TRA UNR9211J-(TX)	B	4.7/8.2
Q3	1590003280	S.TRA UNR9211J-(TX)	B	7/11.2
Q100	1560001151	S.FET 2SK3476(TE12L,Q)	T	14.6/9.4
Q101	1560001161	S.FET 2SK3475(TE12L,F)	T	25.4/8.1
Q102	1530000371	S.TRA 2SC3356-T1B S (R25)	T	33.1/5.8
Q150	1590003280	S.TRA UNR9211J-(TX)	T	17.9/22.9
Q152	1590003280	S.TRA UNR9211J-(TX)	T	18/19.1
Q153	1590003280	S.TRA UNR9211J-(TX)	B	10.1/16.8
Q200	1530003432	S.TRA 2SC5226A-4-TL-E	B	28.2/15.4
Q250	1530003260	S.TRA 2SC5006-T1	T	24.9/14.8
Q251	1590002380	S.TRA XP1115(TX)	T	23.2/21.9
Q252	1590003250	S.TRA UNR9115J-(TX)	T	33.1/18.6
Q300	1530003260	S.TRA 2SC5006-T1	B	13.6/27.6
Q301	1530003260	S.TRA 2SC5006-T1	B	23.9/26.7
Q302	1590003250	S.TRA UNR9115J-(TX)	B	4.7/36.1
Q303	1590002380	S.TRA XP1115(TX)	B	3.8/33.5
Q304	1590003250	S.TRA UNR9115J-(TX)	T	20.1/24.8
Q400	1580000790	S.FET 3SK318YB-TL-E	B	20.6/21.1
Q401	1580000790	S.FET 3SK318YB-TL-E	B	32.1/19.1
Q450	1580000790	S.FET 3SK318YB-TL-E	B	29.7/24.1
Q451	1590002380	S.TRA XP1115(TX)	B	44.5/20.9
Q452	1590002380	S.TRA XP1115(TX)	B	41.6/19.6
Q500	1530003560	S.TRA 2SC5195-T1	B	10.3/40.2
Q501	1530003560	S.TRA 2SC5195-T1	B	19.5/39.2
Q600	1580000800	S.FET 3SK324UG-TL-E	B	21.7/32.9
Q601	1580000790	S.FET 3SK318YB-TL-E	B	37.1/29.8
Q651	1580000790	S.FET 3SK318YB-TL-E	B	37.8/34.2
Q652	1590002380	S.TRA XP1115(TX)	B	41.6/22.1
Q700	1530003781	S.TRA 2SC5624VH-TL-E	T	13.9/40.7
Q701	1530003260	S.TRA 2SC5006-T1	T	15.6/37
Q702	1590003250	S.TRA UNR9115J-(TX)	T	23/33.6
Q800	1590002380	S.TRA XP1115(TX)	T	45.8/20.6
Q801	1590003260	S.TRA UNR911NJ-(TX)	T	43.5/21
Q830	1590001650	S.TRA XP4601(TX)	T	42.5/39
Q850	1530003260	S.TRA 2SC5006-T1	T	38.4/29.4
Q900	1590003250	S.TRA UNR9115J-(TX)	B	41.8/12.5
Q1000	1590003720	S.FET HAT1026R-EL-E	B	36.7/6.5
D1	1750000581	S.DIO 1SV307(TPH3,F)	T	13.7/28.1
D3	1790001621	S.DIO 1SV308(TPL3,F)	T	19.5/27.2
D4	1790001621	S.DIO 1SV308(TPL3,F)	T	16.5/31.5
D5	1790001161	S.DIO 1SS362(TE85R,F)	T	19.9/31.9
D6	1790001621	S.DIO 1SV308(TPL3,F)	T	7.9/21.4
D7	1790001621	S.DIO 1SV308(TPL3,F)	T	7.9/22.6
D8	1790001621	S.DIO 1SV308(TPL3,F)	B	7/21.4
D9	1790001161	S.DIO 1SS362(TE85R,F)	B	10.5/21
D10	1790001621	S.DIO 1SV308(TPL3,F)	T	20.5/28.8
D100	1790001260	S.DIO MA2S077-(TX)	T	41/22.8
D150	1790000980	S.DIO MA742(TX)	T	14.7/21.1
D151	1750000531	S.DIO 1SV271(TPH3,F)	T	14.2/18.9
D152	1790000980	S.DIO MA742(TX)	T	14.2/16.4
D153	1790001240	S.DIO MA2S728-(TX)	B	11/19.4
D154	1790001240	S.DIO MA2S728-(TX)	B	9.3/18.4
D155	1790000980	S.DIO MA742(TX)	B	4.2/14.6
D156	1790000980	S.DIO MA742(TX)	B	6.8/15
D157	1790001240	S.DIO MA2S728-(TX)	B	26.6/8.8
D158	1750001620	S.DIO JDP2S04E(TPH3)	T	35.2/5.1
D159	1750001620	S.DIO JDP2S04E(TPH3)	T	36.7/6.8
D160	1750000531	S.DIO 1SV271(TPH3,F)	T	15.6/24.4
D200	1790001621	S.DIO 1SV308(TPL3,F)	B	14.7/17.9
D201	1790001260	S.DIO MA2S077-(TX)	B	20.2/16.7
D202	1790001240	S.DIO MA2S728-(TX)	B	24.7/17.1
D203	1790001621	S.DIO 1SV308(TPL3,F)	B	33.2/14.3
D250	1790001260	S.DIO MA2S077-(TX)	B	22/17.1
D251	1790001260	S.DIO MA2S077-(TX)	T	28.3/18.4
D252	1750001270	S.VAR 1SV325(TPH3,F)	T	25.3/17.7
D253	1790001250	S.DIO MA2S111-(TX)	T	27.4/16.1
D254	1790001260	S.DIO MA2S077-(TX)	T	29.2/17.2
D255	1750001270	S.VAR 1SV325(TPH3,F)	T	30.7/13.2
D256	1790001621	S.DIO 1SV308(TPL3,F)	T	35.7/14.2
D300	1790001621	S.DIO 1SV308(TPL3,F)	B	10.4/24.1
D301	1790001260	S.DIO MA2S077-(TX)	B	8.5/28.6
D302	1790001621	S.DIO 1SV308(TPL3,F)	B	13.7/32.7
D303	1790001621	S.DIO 1SV308(TPL3,F)	B	6.8/31.1
D304	1790001260	S.DIO MA2S077-(TX)	B	8/31.1
D305	1750000721	S.VAR HVC375BTRF-E	B	11.3/31.1
D306	1790001260	S.DIO MA2S077-(TX)	B	15.4/23.4
D307	1750000721	S.VAR HVC375BTRF-E	B	18.5/26.1
D308	1750000721	S.VAR HVC375BTRF-E	B	19.6/27.7
D309	1790001260	S.DIO MA2S077-(TX)	B	22/26.8
D310	1790001240	S.DIO MA2S728-(TX)	B	13.6/24.5

[RF UNIT]

REF NO.	PARTS NO.	DESCRIPTION	M.	H/V LOCATION
D311	1790001621	S.DIO 1SV308(TPL3,F)	B	35.2/14.2
D400	1790001621	S.DIO 1SV308(TPL3,F)	B	13.8/22.4
D401	1750000771	S.VAR HVC376BTRF-E	B	28.6/19.5
D402	1750000771	S.VAR HVC376BTRF-E	B	37.3/17.5
D403	1750000771	S.VAR HVC376BTRF-E	B	41/16.5
D404	1790001250	S.DIO MA2S111-(TX)	B	28.7/21.3
D405	1790001621	S.DIO 1SV308(TPL3,F)	B	38.9/15.5
D450	1750000771	S.VAR HVC376BTRF-E	B	26.2/21.8
D451	1750000771	S.VAR HVC376BTRF-E	B	35.7/23.8
D452	1750000771	S.VAR HVC376BTRF-E	B	38.4/23.6
D453	1790001250	S.DIO MA2S111-(TX)	B	33.6/22.8
D454	1790001621	S.DIO 1SV308(TPL3,F)	B	46.5/26.6
D500	1790001621	S.DIO 1SV308(TPL3,F)	B	13.8/36.3
D501	1790001260	S.DIO MA2S077-(TX)	B	8/38.8
D502	1750000721	S.VAR HVC375BTRF-E	B	8/37.6
D503	1790001250	S.DIO MA2S111-(TX)	B	15.3/38.7
D504	1790001260	S.DIO MA2S077-(TX)	B	12.9/43.2
D505	1750000721	S.VAR HVC375BTRF-E	B	14/41.5
D506	1750000721	S.VAR HVC375BTRF-E	B	15.2/41.5
D507	1790001260	S.DIO MA2S077-(TX)	B	18.4/42.4
D508	1790001621	S.DIO 1SV308(TPL3,F)	B	36.4/14.2
D600	1790001621	S.DIO 1SV308(TPL3,F)	B	17.4/33.8
D601	1750000771	S.VAR HVC376BTRF-E	B	29.5/29.9
D602	1750000771	S.VAR HVC376BTRF-E	B	32.2/30.3
D603	1790001250	S.DIO MA2S111-(TX)	B	31.9/32.1
D604	1750000771	S.VAR HVC376BTRF-E	B	42.7/29.4
D605	1750000771	S.VAR HVC376BTRF-E	B	42.3/26.7
D606	1790001621	S.DIO 1SV308(TPL3,F)	B	38.9/14.3
D650	1750000771	S.VAR HVC376BTRF-E	B	28.2/34.5
D651	1750000771	S.VAR HVC376BTRF-E	B	31/34.4
D652	1790001250	S.DIO MA2S111-(TX)	B	41.7/32.5
D653	1750000771	S.VAR HVC376BTRF-E	B	44/35.9
D654	1750000771	S.VAR HVC376BTRF-E	B	46.9/35.9
D655	1790001621	S.DIO 1SV308(TPL3,F)	B	46/29.9
D700	1790001621	S.DIO 1SV308(TPL3,F)	T	19.4/44.1
D701	1790001161	S.DIO 1SS362(TE85R,F)	T	16.3/42.4
D702	1750000721	S.VAR HVC375BTRF-E	T	18/41.1
D703	1750000721	S.VAR HVC375BTRF-E	T	10.9/37.6
D704	1750000721	S.VAR HVC375BTRF-E	T	13/36.7
D705	1790001250	S.DIO MA2S111-(TX)	T	18/38.4
D706	1790001621	S.DIO 1SV308(TPL3,F)	T	36.1/16
D850	1790001621	S.DIO 1SV308(TPL3,F)	T	37.9/26.1
D851	1790001250	S.DIO MA2S111-(TX)	T	36/28.3
D1000	1790001240	S.DIO MA2S728-(TX)	B	40.9/5
D1001	1750000540	S.DIO RB060L-40 TE-25	B	40/2.2
L1	6200012660	S.COI 0.30-1.0-4TR 9.1N <COMO>	T	8.5/41
L2	6200012490	S.COI 0.30-0.9-6TR 13.6N <COMO>	T	6.4/38.6
L3	6200012490	S.COI 0.30-0.9-6TR 13.6N <COMO>	T	5.5/36
L4	6200012470	S.COI 0.30-1.7-7TL 45.3N <COMO>	T	12.6/31.2
L5	6200012910	S.COI 0.35-1.6-8TL 45.5N <COMO>	T	6.2/32.9
L6	6200012900	S.COI 0.30-2.0-7TL 57.2N <COMO>	T	9.2/29.7
L7	6200012460	S.COI 0.30-1.7-8TL 54N <COMO>	T	9.6/26.4
L8	6200007921	S.COI ELJRF 15NJFB	T	13.5/45.3
L9	6200007921	S.COI ELJRF 15NJFB	T	15.9/45.3
L10	6200004480	S.COI MLF1608D R82K-T	T	14.5/25.9
L11	6200009070	S.COI LQW18AN18NG00D (LQW1608A18NG00)	T	16.5/30.3
L12	6200010700	S.COI LQW18AN12NG00D	T	18.4/30
L13	6200004480	S.COI MLF1608D R82K-T	T	5.1/18.4
L14	6200010910	S.COI LQW18AN56NG00D	B	8.8/21.1
L20	6200007881	S.COI ELJRF 33NJFB	T	18.3/33.3
L100	6200013090	S.COI 0.26-1.1-5TR 16N <COMO>	T	11.7/16
L101	6200012850	S.COI 0.40-0.8-2TL 2.5N <COMO>	T	9.6/14.7
L102	6200012920	S.COI 0.20-1.0-4TL 12.1N <COMO>	T	4.4/12.3
L103	6200012920	S.COI 0.20-1.0-4TL 12.1N <COMO>	T	6.5/12.2
L104	6200012800	S.COI 0.40-1.5-5TL 20N <COMO>	T	6.7/9.4
L105	6200007961	S.COI ELJRF 6N8JFB (6.8)	T	20.7/8.6
L106	6200008011	S.COI ELJRF 2N7DFB (2.7)	T	19.1/8.1
L107	6200008570	S.COI LQW2BHN6N8D03L	T	21.9/6.6
L108	6200007921	S.COI ELJRF 15NJFB	T	28.7/8.2
L110	6200011650	S.COI LQW18AN68NG00D	T	30.9/6.2
L111	6200011031	S.COI ELJRF R10JFB	T	37.4/8.1
L150	6200013090	S.COI 0.26-1.1-5TR 16N <COMO>	T	12.1/21.2
L152	6200012470	S.COI 0.30-1.7-7TL 45.3N <COMO>	T	4/15.9
L200	6200006981	S.COI ELJRE R10GFA	B	15.4/19.7
L201	6200009571	S.COI ELJRE R12GFA	B	18/19.7
L202	6200005140	S.COI MLF1608D R33K-T	B	22/15.9
L203	6200005140	S.COI MLF1608D R33K-T	B	24.6/15.9
L204	6200002041	S.COI NLV25T-101J	B	30.8/14.3
L250	6200004600	S.COI MLF1608D R15K-T	T	26.5/18
L251	6200004600	S.COI MLF1608D R15K-T	T	28.2/19.6
L252	6200003960	S.COI MLF1608A 1R0K-T	T	26.6/14.2
L253	6200004600	S.COI MLF1608D R15K-T	T	28.9/14.4
L254	6200004600	S.COI MLF1608D R15K-T	T	30.9/16.1
L300	6200011001	S.COI ELJRF 56NJFB	B	9.5/26.2
L301	6200011021	S.COI ELJRF 82NJFB	B	10.4/27.8
L302	6200010991	S.COI ELJRF 47NJFB	B	9.6/33.2
L303	6200007871	S.COI ELJRF 39NJFB	B	8.3/33.7
L304	6200007871	S.COI ELJRF 39NJFB	B	10.2/30.6

M.=Mounted side (T: Mounted on the Top side, B: Mounted on the Bottom side)
S.=Surface mount

[RF UNIT]

REF NO.	PARTS NO.	DESCRIPTION	M.	H/V LOCATION
L305	6200009571	S.COI ELJRE R12GFA	B	9.2/31.1
L306	6200006981	S.COI ELJRE R10GFA	B	15.5/25.4
L307	6200007871	S.COI ELJRF 39NJFB	B	15.1/27.6
L308	6200011001	S.COI ELJRF 56NJFB	B	20.7/28.2
L309	6200009101	S.COI ELJRE R18GFA	B	20.8/26.1
L310	6200011031	S.COI ELJRF R10JFB	B	25.5/26.5
L400	6200013400	S.COI LQW15ANR12J00D	B	17.2/22.6
L401	6200009250	S.COI LQW18ANR22G00D (LQW1608AR22G00)	B	22.6/20.2
L402	6200011670	S.COI LQW18AN82NG00D	B	27.4/18.8
L403	6200011670	S.COI LQW18AN82NG00D	B	34.3/20.5
L404	6200011650	S.COI LQW18AN68NG00D	B	42.2/16.5
L405	6200011660	S.COI LQW18ANR15G00D	B	15.6/21.5
L450	6200011670	S.COI LQW18AN82NG00D	B	26.2/23
L451	6200011670	S.COI LQW18AN82NG00D	B	32.7/24.5
L452	6200011650	S.COI LQW18AN68NG00D	B	39.6/23
L500	6200007971	S.COI ELJRF 5N6DFB	B	9.7/36.7
L501	6200007921	S.COI ELJRF 15NJFB	B	8.5/36.5
L502	6200007941	S.COI ELJRF 10NJFB	B	11.9/40.3
L503	6200007921	S.COI ELJRF 15NJFB	B	10.9/41.6
L504	6200007961	S.COI ELJRF 6N8JFB (6.8)	B	17.4/41.2
L505	6200007921	S.COI ELJRF 15NJFB	B	17.4/42.8
L506	6200007881	S.COI ELJRF 33NJFB	B	17.8/37.8
L507	6200007941	S.COI ELJRF 10NJFB	B	11.8/36.3
L508	6200011031	S.COI ELJRF R10JFB	B	12.4/38.4
L600	6200010850	S.COI LQW18AN22NG00D (LQW1608A22NG00)	B	14.9/30.3
L601	6200010910	S.COI LQW18AN56NG00D	B	19.8/29.6
L602	6200011580	S.COI LQW18AN33NG00D	B	24.4/33.9
L603	6200009220	S.COI LQW18AN15NG00D (LQW1608A15NG00)	B	28.3/28.6
L604	6200009220	S.COI LQW18AN15NG00D (LQW1608A15NG00)	B	33.4/29
L605	6200009290	S.COI LQW18AN47NG00D (LQW1608A47NG00)	B	39.1/29.8
L606	6200010850	S.COI LQW18AN22NG00D (LQW1608A22NG00)	B	42.6/30.7
L607	6200009220	S.COI LQW18AN15NG00D (LQW1608A15NG00)	B	42.3/25.5
L608	6200009280	S.COI LQW18AN27NG00D (LQW1608A27NG00)	B	14.9/31.5
L610	6200005180	S.COI MLF1608D R39K-T	B	18.8/33.9
L611	6200007951	S.COI ELJRF 8N2JFB (8.2)	B	16.2/32.8
L620	6200007881	S.COI ELJRF 33NJFB	B	39.5/13.2
L650	6200009220	S.COI LQW18AN15NG00D (LQW1608A15NG00)	B	27/34.6
L651	6200009220	S.COI LQW18AN15NG00D (LQW1608A15NG00)	B	32.2/34.4
L652	6200009290	S.COI LQW18AN47NG00D (LQW1608A47NG00)	B	39.8/34.2
L653	6200010850	S.COI LQW18AN22NG00D (LQW1608A22NG00)	B	42.8/36
L654	6200009220	S.COI LQW18AN15NG00D (LQW1608A15NG00)	B	48.7/35.3
L700	6200008001	S.COI ELJRF 3N3DFB (3.3)	T	19.6/42.4
L701	6200011031	S.COI ELJRF R10JFB	T	12.2/39.6
L702	6200008001	S.COI ELJRF 3N3DFB (3.3)	T	9.6/38.3
L703	6200008001	S.COI ELJRF 3N3DFB (3.3)	T	14/35.3
L704	6200007941	S.COI ELJRF 10NJFB	T	17.1/37
L801	6200003960	S.COI MLF1608A 1R0K-T	T	24.2/29.2
L850	6200007941	S.COI ELJRF 10NJFB	T	40.4/30
L851	6200007981	S.COI ELJRF 4N7DFB (4.7)	T	37.1/18.1
L900	6200011031	S.COI ELJRF R10JFB	B	50.7/30.1
L901	6200009351	S.COI ELJRE R22GFA	T	41/16.5
R1	7030004980	S.RES ERJ2GEJ 101 X (100)	T	16.6/25.8
R2	7030005120	S.RES ERJ2GEJ 102 X (1K)	T	12.1/14.2
R3	7030005120	S.RES ERJ2GEJ 102 X (1K)	B	6.8/17.6
R4	7030004980	S.RES ERJ2GEJ 101 X (100)	B	4.7/16.4
R5	7030005240	S.RES ERJ2GEJ 473 X (47K)	T	15.9/32.6
R6	7030005120	S.RES ERJ2GEJ 102 X (1K)	T	19.7/34.3
R7	7030005120	S.RES ERJ2GEJ 102 X (1K)	B	13.3/21.3
R8	7030007290	S.RES ERJ2GEJ 222 X (2.2K)	T	17/34.5
R9	7030007290	S.RES ERJ2GEJ 222 X (2.2K)	B	13.3/19.5
R10	7030005080	S.RES ERJ2GEJ 823 X (82K)	T	10.3/41.7
R100	7030007250	S.RES ERJ2GEJ 220 X (22)	T	19.5/9.3
R101	7030005030	S.RES ERJ2GEJ 152 X (1.5K)	B	22.6/8.3
R102	7030005030	S.RES ERJ2GEJ 152 X (1.5K)	B	22.4/9.5
R103	7030004980	S.RES ERJ2GEJ 101 X (100)	T	23.4/5.7
R104	7030009200	S.RES ERJ2GEJ 390 X (39)	T	28.7/9.1
R105	7030005240	S.RES ERJ2GEJ 473 X (47K)	B	25.6/9.7
R106	7030009280	S.RES ERJ2GEJ 391 X	B	25.3/8.5
R108	7030007300	S.RES ERJ2GEJ 332 X (3.3K)	T	32.8/9.2
R109	7030010040	S.RES ERJ2GEJ-JPW	T	34.8/8.1
R110	7030007300	S.RES ERJ2GEJ 332 X (3.3K)	T	32.9/8
R111	7030007300	S.RES ERJ2GEJ 332 X (3.3K)	T	34.9/9.3
R112	7030004980	S.RES ERJ2GEJ 101 X (100)	T	30.8/8.5
R113	7030004980	S.RES ERJ2GEJ 101 X (100)	T	29.9/8.5
R114	7030005120	S.RES ERJ2GEJ 102 X (1K)	T	36.6/4.8
R115	7030007290	S.RES ERJ2GEJ 222 X (2.2K)	T	38.4/10.2
R116	7030004980	S.RES ERJ2GEJ 101 X (100)	T	40.8/10.2
R117	7030010040	S.RES ERJ2GEJ-JPW	T	43.4/1.1
R150	7030008310	S.RES ERJ2GEJ 564 X (560K)	B	31.7/6.5
R152	7030004980	S.RES ERJ2GEJ 101 X (100)	B	21.7/8.3
R153	7030004980	S.RES ERJ2GEJ 101 X (100)	B	31.4/4.9
R154	7030005160	S.RES ERJ2GEJ 105 X (1M)	B	22.6/4.3

[RF UNIT]

REF NO.	PARTS NO.	DESCRIPTION	M.	H/V LOCATION
R155	7030005230	S.RES ERJ2GEJ 334 X (330K)	B	22.6/5.9
R156	7030005060	S.RES ERJ2GEJ 333 X (33K)	B	22.1/7.1
R157	7030005220	S.RES ERJ2GEJ 222 X (22K)	B	20.5/6.3
R158	7030007340	S.RES ERJ2GEJ 153 X (15K)	B	29.9/8.1
R159	7030007290	S.RES ERJ2GEJ 222 X (2.2K)	T	38.5/2.4
R160	7030007290	S.RES ERJ2GEJ 222 X (2.2K)	T	37.6/3.6
R161	7030005120	S.RES ERJ2GEJ 102 X (1K)	T	36.7/3.6
R162	7030005120	S.RES ERJ2GEJ 102 X (1K)	T	38.3/5.6
R163	7030005050	S.RES ERJ2GEJ 103 X (10K)	B	32.6/7.3
R164	7030005110	S.RES ERJ2GEJ 224 X (220K)	B	12/17.5
R165	7030005220	S.RES ERJ2GEJ 223 X (22K)	T	16.1/18
R166	7030009280	S.RES ERJ2GEJ 391 X	T	18.3/17.7
R167	7030005220	S.RES ERJ2GEJ 223 X (22K)	T	16.4/20.3
R168	7030005220	S.RES ERJ2GEJ 223 X (22K)	B	3.1/12.3
R169	7030005220	S.RES ERJ2GEJ 223 X (22K)	B	9/15.5
R170	7510001661	S.THR NTCG16 4LH 473JT	B	7/8.2
R171	7030005220	S.RES ERJ2GEJ 223 X (22K)	B	7.2/3.3
R172	7030005600	S.RES ERJ2GEJ 273 X (27K)	T	16.4/21.9
R173	7030005600	S.RES ERJ2GEJ 273 X (27K)	B	4.4/12.7
R174	7030005210	S.RES ERJ2GEJ 822 X (8.2K)	T	16.8/16.8
R175	7030005050	S.RES ERJ2GEJ 103 X (10K)	B	2.2/12.3
R176	7030007340	S.RES ERJ2GEJ 153 X (15K)	B	31.1/8.6
R177	7030009280	S.RES ERJ2GEJ 391 X	T	20.1/21
R200	7030008410	S.RES ERJ2GEJ 392 X (3.9K)	B	25.4/13.5
R201	7030005240	S.RES ERJ2GEJ 473 X (47K)	B	26.8/17.1
R202	7030005240	S.RES ERJ2GEJ 473 X (47K)	B	26.3/15.9
R203	7030005030	S.RES ERJ2GEJ 152 X (1.5K)	B	27.2/13.4
R204	7030005120	S.RES ERJ2GEJ 102 X (1K)	B	13.6/16.7
R250	7030007290	S.RES ERJ2GEJ 222 X (2.2K)	T	22.8/18.8
R251	7030005040	S.RES ERJ2GEJ 472 X (4.7K)	T	31.1/11.1
R252	7030005240	S.RES ERJ2GEJ 473 X (47K)	T	24.2/18.8
R253	7030005220	S.RES ERJ2GEJ 223 X (22K)	T	25.3/16.2
R254	7030005050	S.RES ERJ2GEJ 103 X (10K)	T	27.6/14.7
R255	7030007280	S.RES ERJ2GEJ 331 X (330)	T	23.3/13.9
R256	7030005050	S.RES ERJ2GEJ 103 X (10K)	T	31.2/17.2
R257	7030005240	S.RES ERJ2GEJ 473 X (47K)	T	32.4/14.3
R258	7030007290	S.RES ERJ2GEJ 222 X (2.2K)	T	33.5/14.3
R300	7030007290	S.RES ERJ2GEJ 222 X (2.2K)	B	9.4/24.6
R301	7030007290	S.RES ERJ2GEJ 222 X (2.2K)	B	13.2/33.7
R302	7030005120	S.RES ERJ2GEJ 102 X (1K)	B	6.8/32.8
R303	7030007290	S.RES ERJ2GEJ 222 X (2.2K)	B	7.4/29.1
R304	7030005050	S.RES ERJ2GEJ 103 X (10K)	B	5.6/32.3
R305	7030005240	S.RES ERJ2GEJ 473 X (47K)	B	12.3/31.4
R306	7030005050	S.RES ERJ2GEJ 103 X (10K)	B	14.4/25.9
R307	7030005050	S.RES ERJ2GEJ 103 X (10K)	B	13.2/26.1
R308	7030008370	S.RES ERJ2GEJ 561 X (560)	B	11.6/27.8
R309	7030008410	S.RES ERJ2GEJ 392 X (3.9K)	B	17.4/25.9
R310	7030008410	S.RES ERJ2GEJ 392 X (3.9K)	B	16.8/24.6
R311	7030005240	S.RES ERJ2GEJ 473 X (47K)	B	16.1/29
R312	7030005240	S.RES ERJ2GEJ 473 X (47K)	B	18.6/28.2
R313	7030005050	S.RES ERJ2GEJ 103 X (10K)	B	23.1/25.2
R314	7030005220	S.RES ERJ2GEJ 223 X (22K)	B	21.9/29.4
R315	7030005530	S.RES ERJ2GEJ 100 X (10)	B	27/27.4
R316	7030009280	S.RES ERJ2GEJ 391 X	B	24.9/28.4
R317	7030007290	S.RES ERJ2GEJ 222 X (2.2K)	B	27/28.3
R318	7030007300	S.RES ERJ2GEJ 332 X (3.3K)	B	13.2/31.3
R319	7030007300	S.RES ERJ2GEJ 332 X (3.3K)	B	8.5/23.2
R320	7030005240	S.RES ERJ2GEJ 473 X (47K)	B	14.4/34
R321	7030005720	S.RES ERJ2GEJ 563 X (56K)	B	11.6/26
R322	7030005720	S.RES ERJ2GEJ 563 X (56K)	B	23.1/28.4
R323	7030005050	S.RES ERJ2GEJ 103 X (10K)	B	24.3/24.9
R325	7030005050	S.RES ERJ2GEJ 103 X (10K)	B	4.7/38
R326	7030007290	S.RES ERJ2GEJ 222 X (2.2K)	B	8.3/26.1
R400	7030007300	S.RES ERJ2GEJ 332 X (3.3K)	B	14.6/21
R401	7030008300	S.RES ERJ2GEJ 184 X (180K)	B	20.9/19.3
R402	7030005110	S.RES ERJ2GEJ 224 X (220K)	B	18.2/21.1
R403	7030005240	S.RES ERJ2GEJ 473 X (47K)	B	19.5/22.8
R404	7030005110	S.RES ERJ2GEJ 224 X (220K)	B	18.9/24
R405	7030005120	S.RES ERJ2GEJ 102 X (1K)	B	23.6/19.1
R406	7030004980	S.RES ERJ2GEJ 101 X (100)	B	22.5/23.1
R407	7030010040	S.RES ERJ2GEJ-JPW	B	24.5/20.7
R408	7030005530	S.RES ERJ2GEJ 100 X (10)	B	21.3/18.4
R409	7030004990	S.RES ERJ2GEJ 221 X (220)	B	25.4/18.9
R410	7030004990	S.RES ERJ2GEJ 221 X (220)	B	25.4/20.5
R411	7030005240	S.RES ERJ2GEJ 473 X (47K)	B	29.6/19
R412	7030008300	S.RES ERJ2GEJ 184 X (180K)	B	30.3/21.4
R413	7030005110	S.RES ERJ2GEJ 224 X (220K)	B	30.2/17.4
R414	7030005220	S.RES ERJ2GEJ 223 X (22K)	B	32.1/21.4
R415	7030005220	S.RES ERJ2GEJ 223 X (22K)	B	31.2/21.1
R416	7030005110	S.RES ERJ2GEJ 224 X (220K)	B	31.1/16.9
R417	7030005120	S.RES ERJ2GEJ 102 X (1K)	B	33.2/21.4
R418	7030004990	S.RES ERJ2GEJ 221 X (220)	B	34.8/16.9
R419	7030005090	S.RES ERJ2GEJ 101 X (100K)	B	36.4/18.9
R420	7030005530	S.RES ERJ2GEJ 100 X (10)	B	35.6/21
R421	7030005240	S.RES ERJ2GEJ 473 X (47K)	B	38.7/18.3
R422	7030005240	S.RES ERJ2GEJ 473 X (47K)	B	43.2/16.9
R423	7030009270	S.RES ERJ2GEJ 821 X (820)	B	41/13.9
R450	7030005240	S.RES ERJ2GEJ 473 X (47K)	B	23.5/21.9
R451	7030008300	S.RES ERJ2GEJ 184 X (180K)	B	29.1/22.3
R452	7030005110	S.RES ERJ2GEJ 224 X (220K)	B	27.5/24.1
R453	7030005220	S.RES ERJ2GEJ 223 X (22K)	B	33.7/25
R454	7030005220	S.RES ERJ2GEJ 223 X (22K)	B	31.6/22.6
R455	7030005110	S.RES ERJ2GEJ 224 X (220K)	B	27.9/25.3
R456	7030005120	S.RES ERJ2GEJ 102 X (1K)	B	31.5/24.5
R457	7030004990	S.RES ERJ2GEJ 221 X (220)	B	28.8/26.1
R458	7030005090	S.RES ERJ2GEJ 101 X (100K)	B	34.6/25
R459	7030005530	S.RES ERJ2GEJ 100 X (10)	B	33.6/26.2

M.=Mounted side (T: Mounted on the Top side, B: Mounted on the Bottom side) S.=Surface mount

[RF UNIT]

REF NO.	PARTS NO.	DESCRIPTION	M.	H/V LOCATION
R460	7030005240	S.RES ERJ2GEJ 473 X (47K)	B	36.7/25.6
R461	7030005240	S.RES ERJ2GEJ 473 X (47K)	B	37.1/24.7
R462	7030007290	S.RES ERJ2GEJ 222 X (2.2K)	B	37.1/21.5
R501	7030005050	S.RES ERJ2GEJ 103 X (10K)	B	5.9/37.6
R502	7030005240	S.RES ERJ2GEJ 473 X (47K)	B	7.9/39.8
R503	7030005060	S.RES ERJ2GEJ 333 X (33K)	B	11.5/38.4
R504	7030005050	S.RES ERJ2GEJ 103 X (10K)	B	10.6/38.4
R506	7030004990	S.RES ERJ2GEJ 221 X (220)	B	9.7/41.9
R507	7030008410	S.RES ERJ2GEJ 392 X (3.9K)	B	12.8/44.6
R508	7030008410	S.RES ERJ2GEJ 392 X (3.9K)	B	13/41.9
R509	7030005240	S.RES ERJ2GEJ 473 X (47K)	B	16.3/41.2
R510	7030005240	S.RES ERJ2GEJ 473 X (47K)	B	16.3/42.8
R511	7030005050	S.RES ERJ2GEJ 103 X (10K)	B	19.5/42.8
R512	7030005720	S.RES ERJ2GEJ 563 X (56K)	B	17.8/39.8
R513	7030005530	S.RES ERJ2GEJ 100 X (10)	B	16.3/36.9
R514	7030004990	S.RES ERJ2GEJ 221 X (220)	B	20.2/40.7
R515	7030007290	S.RES ERJ2GEJ 222 X (2.2K)	B	18.5/36.6
R517	7030007300	S.RES ERJ2GEJ 332 X (3.3K)	B	14.3/35.2
R518	7030005240	S.RES ERJ2GEJ 473 X (47K)	B	16.4/35.4
R519	7030004980	S.RES ERJ2GEJ 101 X (100)	B	16.9/38.1
R602	7030008300	S.RES ERJ2GEJ 184 X (180K)	B	21.8/30.3
R603	7030005110	S.RES ERJ2GEJ 224 X (220K)	B	20.3/30.9
R604	7030005240	S.RES ERJ2GEJ 473 X (47K)	B	21.8/31.2
R605	7030005110	S.RES ERJ2GEJ 224 X (220K)	B	20.1/35.8
R607	7030004980	S.RES ERJ2GEJ 101 X (100)	B	22.8/36.4
R608	7030010040	S.RES ERJ2GEJ-JPW	B	23.9/30.8
R609	7030005530	S.RES ERJ2GEJ 100 X (10)	B	23/30.9
R610	7030004980	S.RES ERJ2GEJ 101 X (100)	B	24.8/30.3
R611	7030004980	S.RES ERJ2GEJ 101 X (100)	B	26/30.7
R612	7030005240	S.RES ERJ2GEJ 473 X (47K)	B	30.4/28.5
R613	7030005240	S.RES ERJ2GEJ 473 X (47K)	B	31.3/28.5
R614	7030008300	S.RES ERJ2GEJ 184 X (180K)	B	34.8/30.6
R615	7030005110	S.RES ERJ2GEJ 224 X (220K)	B	35.3/27.8
R616	7030005220	S.RES ERJ2GEJ 223 X (22K)	B	33.6/31.1
R617	7030005220	S.RES ERJ2GEJ 223 X (22K)	B	34/32.3
R618	7030005110	S.RES ERJ2GEJ 224 X (220K)	B	36.2/27.8
R619	7030005120	S.RES ERJ2GEJ 102 X (1K)	B	40.1/29.4
R620	7030004990	S.RES ERJ2GEJ 221 X (220)	B	38.9/27.7
R621	7030005530	S.RES ERJ2GEJ 100 X (10)	B	41/29.4
R622	7030005240	S.RES ERJ2GEJ 473 X (47K)	B	44.4/28.8
R623	7030005240	S.RES ERJ2GEJ 473 X (47K)	B	44.2/27.6
R624	7030009270	S.RES ERJ2GEJ 821 X (820)	B	42.7/24.2
R650	7030005240	S.RES ERJ2GEJ 473 X (47K)	B	29.2/35.8
R651	7030005240	S.RES ERJ2GEJ 473 X (47K)	B	30.1/35.8
R652	7030008300	S.RES ERJ2GEJ 184 X (180K)	B	38.9/31.5
R653	7030005110	S.RES ERJ2GEJ 224 X (220K)	B	35.7/34.1
R654	7030005220	S.RES ERJ2GEJ 223 X (22K)	B	40.1/32
R655	7030005220	S.RES ERJ2GEJ 223 X (22K)	B	38.9/32.4
R656	7030005110	S.RES ERJ2GEJ 224 X (220K)	B	35.7/35
R657	7030005120	S.RES ERJ2GEJ 102 X (1K)	B	40.8/33.9
R658	7030004990	S.RES ERJ2GEJ 221 X (220)	B	39.5/36.8
R659	7030005530	S.RES ERJ2GEJ 100 X (10)	B	42/33.5
R660	7030005240	S.RES ERJ2GEJ 473 X (47K)	B	44.9/37.3
R661	7030005240	S.RES ERJ2GEJ 473 X (47K)	B	45.8/37.1
R662	7030009270	S.RES ERJ2GEJ 821 X (820)	B	44.6/33.6
R700	7030007290	S.RES ERJ2GEJ 222 X (2.2K)	T	18.3/45.3
R701	7030007290	S.RES ERJ2GEJ 222 X (2.2K)	T	18/44
R702	7030005120	S.RES ERJ2GEJ 102 X (1K)	T	14.4/42.5
R703	7030008290	S.RES ERJ2GEJ 183 X (18K)	T	16.7/39.7
R704	7030008290	S.RES ERJ2GEJ 183 X (18K)	T	15.8/39.7
R705	7030004970	S.RES ERJ2GEJ 470 X (47)	T	17.9/40.1
R706	7030007250	S.RES ERJ2GEJ 220 X (22)	T	11.3/39.6
R707	7030005240	S.RES ERJ2GEJ 473 X (47K)	T	19.5/39.7
R708	7030005240	S.RES ERJ2GEJ 473 X (47K)	T	9.5/37.3
R709	7030005240	S.RES ERJ2GEJ 473 X (47K)	T	11.9/36.8
R710	7030007250	S.RES ERJ2GEJ 220 X (22)	T	14.3/38.5
R711	7030005220	S.RES ERJ2GEJ 223 X (22K)	T	15.9/38.5
R712	7030007280	S.RES ERJ2GEJ 331 X (330)	T	18/36.9
R713	7030004990	S.RES ERJ2GEJ 221 X (220)	T	15.8/35.3
R714	7030007290	S.RES ERJ2GEJ 222 X (2.2K)	T	19.2/36.4
R800	7030005050	S.RES ERJ2GEJ 103 X (10K)	T	24.7/30.3
R801	7030005050	S.RES ERJ2GEJ 103 X (10K)	T	26.8/26.5
R802	7030005120	S.RES ERJ2GEJ 102 X (1K)	T	26.4/28
R803	7030005120	S.RES ERJ2GEJ 102 X (1K)	T	26.4/28.9
R804	7030005120	S.RES ERJ2GEJ 102 X (1K)	T	28.5/30.3
R805	7030005120	S.RES ERJ2GEJ 102 X (1K)	T	29.7/30.2
R806	7030011170	S.RES RR0510P-471-D (470)	T	31.8/24.3
R807	7030009190	S.RES RR0510P-332-D (3.3K)	T	33.8/23.3
R808	7030005990	S.RES RR0510P-122-D (1.2K)	T	31.8/19.9
R818	7030004980	S.RES ERJ2GEJ 101 X (100)	T	33.1/30.2
R819	7030009530	S.RES ERJ2GEJ 270 X (27)	T	34.8/27.6
R820	7030005090	S.RES ERJ2GEJ 104 X (100K)	T	35/23.7
R830	7030010040	S.RES ERJ2GEJ-JPW	T	25.9/26.5
R831	7030010090	S.RES ERJ2GEJ 180 X (18)	T	26.8/24.9
R832	7030010090	S.RES ERJ2GEJ 180 X (18)	T	30.2/24.3
R840	7030005050	S.RES ERJ2GEJ 103 X (10K)	T	40.6/39.3
R841	7030005030	S.RES ERJ2GEJ 152 X (1.5K)	T	42/37.2
R850	7030004970	S.RES ERJ2GEJ 470 X (47)	T	36/30.4
R851	7030005310	S.RES ERJ2GEJ 124 X (120K)	T	36.9/30.4
R852	7030007570	S.RES ERJ2GEJ 122 X (1.2K)	T	36/26.3
R853	7030007290	S.RES ERJ2GEJ 222 X (2.2K)	T	39.3/26.2
R854	7030007300	S.RES ERJ2GEJ 332 X (3.3K)	T	37.5/27.8
R855	7030007290	S.RES ERJ2GEJ 222 X (2.2K)	T	39.3/27.1
R900	7030007290	S.RES ERJ2GEJ 222 X (2.2K)	B	33.9/15.4
R901	7030007290	S.RES ERJ2GEJ 222 X (2.2K)	B	45.8/28.2
R962	7030004970	S.RES ERJ2GEJ 470 X (47)	T	39/37.3
R1001	7030005090	S.RES ERJ2GEJ 104 X (100K)	B	41.7/8.2

[RF UNIT]

REF NO.	PARTS NO.	DESCRIPTION	M.	H/V LOCATION
R1002	7030011870	S.RES ERJ2BSFR18X (0.18)	B	45.3/2
R1003	7030011870	S.RES ERJ2BSFR18X (0.18)	B	44.4/2
R1004	7030011870	S.RES ERJ2BSFR18X (0.18)	B	43.5/2
C1	4030017560	S.CER ECJ0EC1H2R5B	T	6.7/41.3
C2	4030017580	S.CER ECJ0EC1H060C	T	6.2/40.1
C3	4030017350	S.CER ECJ0EC1H020B	T	7.2/36.8
C4	4030017590	S.CER ECJ0EC1H070C	T	4.2/38.2
C5	4030017340	S.CER ECJ0EC1H010B	T	7.2/35.2
C6	4030017340	S.CER ECJ0EC1H010B	T	11/33.5
C7	4030017400	S.CER ECJ0EC1H220J	T	12.7/33.1
C8	4030017400	S.CER ECJ0EC1H220J	T	14.3/33.1
C9	4030017390	S.CER ECJ0EC1H180J	T	14.9/31.4
C10	4030017550	S.CER ECJ0EC1H1R5B	T	8.7/33.4
C11	4030017660	S.CER ECJ0EC1H330J	T	6.9/30.1
C12	4030017580	S.CER ECJ0EC1H060C	T	11.3/28.9
C13	4030017400	S.CER ECJ0EC1H220J	T	6.9/29.2
C14	4030017550	S.CER ECJ0EC1H1R5B	T	9.3/24.5
C16	4030017330	S.CER ECJ0EF1C104Z	T	8.1/23.9
C18	4030017350	S.CER ECJ0EC1H020B	T	12.3/44.9
C19	4030017550	S.CER ECJ0EC1H1R5B	T	14.7/44.9
C20	4030017380	S.CER ECJ0EC1H050B	T	17.1/44.9
C21	4030017580	S.CER ECJ0EC1H060C	T	17/28.7
C22	4030017630	S.CER ECJ0EC1H120J	T	18.5/27.9
C23	4030017460	S.CER ECJ0EB1E102K	T	18.3/32.1
C24	4030017580	S.CER ECJ0EC1H060C	T	15.9/33.5
C25	4030017460	S.CER ECJ0EB1E102K	T	17.1/32.9
C26	4030017460	S.CER ECJ0EB1E102K	T	19.8/30.4
C27	4030017430	S.CER ECJ0EC1H101J	T	20.9/34.1
C28	4030017460	S.CER ECJ0EB1E102K	T	16.9/27
C29	4030017460	S.CER ECJ0EB1E102K	T	18.2/25.5
C30	4030017400	S.CER ECJ0EC1H220J	B	7.2/20
C31	4030017390	S.CER ECJ0EC1H180J	B	7.1/22.5
C32	4030018860	S.CER ECJ0EB0J105K	B	10.2/22.5
C33	4030018860	S.CER ECJ0EB0J105K	B	11.8/22.4
C34	4030017460	S.CER ECJ0EB1E102K	B	12.1/20.9
C35	4030017400	S.CER ECJ0EC1H220J	B	13.3/20.4
C36	4030017460	S.CER ECJ0EB1E102K	B	4.7/17.3
C37	4030017460	S.CER ECJ0EB1E102K	B	5.9/17
C38	4030017460	S.CER ECJ0EB1E102K	B	6.2/8.4
C39	4030017460	S.CER ECJ0EB1E102K	B	9/11.7
C40	4030017460	S.CER ECJ0EB1E102K	T	19.4/29.2
C41	4030017460	S.CER ECJ0EB1E102K	T	3.3/32.5
C42	4030017460	S.CER ECJ0EB1E102K	T	3.3/37.1
C43	4030017460	S.CER ECJ0EB1E102K	T	20.4/23.2
C44	4030017460	S.CER ECJ0EB1E102K	T	18.8/34.9
C45	4030017620	S.CER ECJ0EC1H100C	T	21.1/33.2
C100	4030017460	S.CER ECJ0EB1E102K	T	9/18.2
C101	4030017630	S.CER ECJ0EC1H120J	T	9/16.6
C102	4030007020	S.CER C1608 CH 1H 120J-T	T	10/12.4
C103	4030007030	S.CER C1608 CH 1H 150J-T	T	8.8/12.4
C104	4030007080	S.CER C1608 CH 1H 390J-T	T	8.8/9.8
C106	4030017570	S.CER ECJ0EC1H040B	T	3/12.3
C107	4030007110	S.CER C1608 CH 1H 680J-T	T	4.4/8.8
C108	4030017460	S.CER ECJ0EB1E102K	T	2.7/13.5
C109	4030017460	S.CER ECJ0EB1E102K	T	13.8/2.3
C111	4550007650	S.TAN F931V105MAABMA	T	7.8/5.1
C112	4030017650	S.CER ECJ0EC1H270J	T	18.6/9.3
C115	4030017680	S.CER ECJ0EC1H820J	T	22.2/9.1
C116	4030017420	S.CER ECJ0EC1H470J	T	19/6.9
C119	4030017460	S.CER ECJ0EB1E102K	T	20.4/9.8
C121	4030017330	S.CER ECJ0EF1C104Z	T	18.3/3.4
C122	4030017330	S.CER ECJ0EF1C104Z	T	18.3/4.3
C123	4030017330	S.CER ECJ0EF1C104Z	T	19.5/5.1
C124	4030017460	S.CER ECJ0EB1E102K	T	20.4/5.1
C125	4030016930	S.CER ECJ0EB1A104K	T	29.1/10.3
C126	4030017460	S.CER ECJ0EB1E102K	T	30.1/10.1
C127	4030017620	S.CER ECJ0EC1H100C	T	28.7/7.3
C128	4030017460	S.CER ECJ0EB1E102K	T	29.9/6.9
C129	4030017460	S.CER ECJ0EB1E102K	T	29.6/5.5
C132	4030017620	S.CER ECJ0EC1H100C	T	16.1/5.6
C133	4030017460	S.CER ECJ0EB1E102K	T	31.9/9.8
C134	4030017330	S.CER ECJ0EF1C104Z	T	33.1/10.4
C135	4030017340	S.CER ECJ0EC1H010B	T	39.3/25.3
C136	4030017460	S.CER ECJ0EB1E102K	T	35.1/3.5
C139	4030017430	S.CER ECJ0EC1H101J	T	38.3/7.2
C140	4030017460	S.CER ECJ0EB1E102K	T	38.3/8.8
C141	4030017430	S.CER ECJ0EC1H101J	T	42/9.6
C142	4030017460	S.CER ECJ0EB1E102K	T	39.6/10.5
C143	4030017460	S.CER ECJ0EB1E102K	T	42.5/1.8
C144	4030017460	S.CER ECJ0EB1E102K	T	31/10.1
C145	4030017460	S.CER ECJ0EB1E102K	T	6.2/6.9
C146	4030017460	S.CER ECJ0EB1E102K	T	36.8/10.2
C150	4030016950	S.CER ECJ0EB1A473K	B	32.6/5.7
C151	4030016930	S.CER ECJ0EB1A104K	B	31.1/7.7
C152	4030016790	S.CER ECJ0EB1C103K	B	25.7/3
C154	4030017460	S.CER ECJ0EB1E102K	B	27.7/9.2
C158	4030017460	S.CER ECJ0EB1E102K	B	23.5/8.3
C159	4550007600	S.TAN F920J106MPABMA	B	24/10.8
C160	4030016790	S.CER ECJ0EB1C103K	T	41.6/1.8
C161	4030016930	S.CER ECJ0EB1A104K	T	

[RF UNIT]

REF NO.	PARTS NO.	DESCRIPTION	M.	H/V LOCATION
C169	4030017460	S.CER ECJ0EB1E102K	T	20.1/21.9
C170	4030017440	S.CER ECJ0EC1H221J	T	17.7/16.5
C171	4030017340	S.CER ECJ0EC1H010B	T	12.2/18.3
C172	4030017460	S.CER ECJ0EB1E102K	T	16.1/15.4
C173	4030017460	S.CER ECJ0EB1E102K	B	11.3/18.4
C174	4030017340	S.CER ECJ0EC1H010B	T	5.9/16.8
C175	4030017640	S.CER ECJ0EC1H150J	T	2.1/16.8
C176	4030017640	S.CER ECJ0EC1H150J	T	2.1/12.3
C177	4030017340	S.CER ECJ0EC1H010B	T	2.1/14.9
C178	4030017460	S.CER ECJ0EB1E102K	B	9/13.9
C179	4030017460	S.CER ECJ0EB1E102K	B	2.4/14.1
C180	4030017460	S.CER ECJ0EB1E102K	B	8.9/19.4
C181	4030017460	S.CER ECJ0EB1E102K	B	8.6/3.3
C182	4030017460	S.CER ECJ0EB1E102K	T	6.8/17.7
C183	4030017460	S.CER ECJ0EB1E102K	T	18.6/16.5
C184	4030017460	S.CER ECJ0EB1E102K	B	10.5/15.3
C185	4030017460	S.CER ECJ0EB1E102K	B	6/12.7
C186	4030017460	S.CER ECJ0EB1E102K	T	17.7/21.5
C193	4030006980	S.CER C1608 CH 1H 070D-T	T	3.9/10.7
C201	4030017630	S.CER ECJ0EC1H120J	B	16.9/18.6
C202	4030017500	S.CER ECJ0EC1H560J	B	18.1/18.3
C203	4030017580	S.CER ECJ0EC1H060C	B	19.3/18.6
C204	4030017660	S.CER ECJ0EC1H330J	B	19.1/17.4
C205	4030017500	S.CER ECJ0EC1H560J	B	22.7/13.6
C206	4030017400	S.CER ECJ0EC1H220J	B	27.5/14.8
C207	4030017710	S.CER ECJ0EC1H181J	B	23.6/11.8
C208	4030017600	S.CER ECJ0EC1H080C	B	24.1/14.8
C209	4030017430	S.CER ECJ0EC1H101J	B	24.5/13.6
C210	4030018860	S.CER ECJ0EB0J105K	B	25.7/14.7
C211	4030016930	S.CER ECJ0EB1A104K	B	29/13.4
C212	4030016930	S.CER ECJ0EB1A104K	B	28.1/13.4
C213	4030018860	S.CER ECJ0EB0J105K	B	13.6/18.3
C214	4030018860	S.CER ECJ0EB0J105K	B	26.3/13.5
C250	4030017660	S.CER ECJ0EC1H330J	T	22.8/17.1
C251	4030016790	S.CER ECJ0EB1C103K	T	29.9/18.5
C252	4030017460	S.CER ECJ0EB1E102K	T	25.1/19.9
C253	4030017400	S.CER ECJ0EC1H220J	T	24.1/16.8
C254	4030016790	S.CER ECJ0EB1C103K	T	23.3/15.5
C255	4030016790	S.CER ECJ0EB1C103K	T	25.5/13
C256	4030016930	S.CER ECJ0EB1A104K	T	24.6/13
C257	4030017620	S.CER ECJ0EC1H100C	T	28.6/12.7
C258	4030016790	S.CER ECJ0EB1C103K	T	31.1/19
C259	4030017460	S.CER ECJ0EB1E102K	T	31.4/14.5
C260	4030017660	S.CER ECJ0EC1H330J	T	30.2/14.2
C261	4030017420	S.CER ECJ0EC1H470J	T	32.6/16.7
C262	4030017420	S.CER ECJ0EC1H470J	T	25.2/21.1
C263	4030017420	S.CER ECJ0EC1H470J	T	33.4/15.5
C264	4030017420	S.CER ECJ0EC1H470J	T	22.4/24.2
C268	4030017460	S.CER ECJ0EB1E102K	T	34.5/13.1
C300	4030017460	S.CER ECJ0EB1E102K	B	8.2/24.1
C301	4030017390	S.CER ECJ0EC1H180J	B	8.2/25.2
C302	4030017640	S.CER ECJ0EC1H150J	B	10.4/26.2
C303	4030017670	S.CER ECJ0EC1H390J	B	8.3/27
C304	4030017380	S.CER ECJ0EC1H050B	B	9.5/27.8
C305	4030017400	S.CER ECJ0EC1H220J	B	7.2/27.9
C306	4030017650	S.CER ECJ0EC1H270J	B	12/33
C307	4030017420	S.CER ECJ0EC1H470J	B	10.8/33.6
C308	4030017630	S.CER ECJ0EC1H120J	B	9.9/34.7
C309	4030017690	S.CER ECJ0EC1H121J	B	8.3/34.6
C310	4030017400	S.CER ECJ0EC1H220J	B	7.1/34
C311	4030017460	S.CER ECJ0EB1E102K	B	6.2/34.5
C312	4030017620	S.CER ECJ0EC1H100C	B	9.8/29.4
C313	4030016790	S.CER ECJ0EB1C103K	B	8.4/32.8
C314	4030017460	S.CER ECJ0EB1E102K	B	10.8/32.7
C315	4030017630	S.CER ECJ0EC1H120J	B	11.6/29
C316	4030016790	S.CER ECJ0EB1C103K	B	11.6/26.9
C317	4030017460	S.CER ECJ0EB1E102K	B	16.5/25.9
C318	4030016790	S.CER ECJ0EB1C103K	B	11.8/25.1
C319	4030016790	S.CER ECJ0EB1C103K	B	12.2/24.2
C320	4030017460	S.CER ECJ0EB1E102K	B	16.3/27.1
C321	4030017360	S.CER ECJ0EC1H030B	B	16.3/28
C322	4030017460	S.CER ECJ0EB1E102K	B	19.5/25.6
C323	4030017460	S.CER ECJ0EB1E102K	B	14.5/29
C324	4030017460	S.CER ECJ0EB1E102K	B	21.9/24.8
C325	4030017360	S.CER ECJ0EC1H030B	B	21.9/28.5
C326	4030017460	S.CER ECJ0EB1E102K	B	25.8/28.2
C327	4030016790	S.CER ECJ0EB1C103K	B	24/28.4
C328	4030017730	S.CER ECJ0EB1E471K	B	26.7/26.5
C329	4030017460	S.CER ECJ0EB1E102K	B	3/35.3
C330	4030017460	S.CER ECJ0EB1E102K	B	2.8/36.5
C331	4030017460	S.CER ECJ0EB1E102K	B	4.5/31.2
C332	4030017460	S.CER ECJ0EB1E102K	B	2.7/31.6
C335	4030017460	S.CER ECJ0EB1E102K	B	15.6/34
C336	4030016790	S.CER ECJ0EB1C103K	B	11.8/23.3
C337	4030017420	S.CER ECJ0EC1H470J	B	25.2/24.9
C339	4030017440	S.CER ECJ0EC1H221J	B	3.8/38
C340	4030017460	S.CER ECJ0EB1E102K	T	20.6/26.7
C341	4030017460	S.CER ECJ0EB1E102K	T	18.2/26.4
C400	4030017440	S.CER ECJ0EC1H221J	B	17/20.7
C401	4030017370	S.CER ECJ0EC1H3R5B	B	17/21.6
C402	4030018860	S.CER ECJ0EB0J105K	B	19.8/24
C403	4030017460	S.CER ECJ0EB1E102K	B	17.7/23.5
C404	4030016790	S.CER ECJ0EB1C103K	B	21.6/23.1
C405	4030017460	S.CER ECJ0EB1E102K	B	20.7/23.2
C407	4030017600	S.CER ECJ0EC1H080C	B	23.6/20.7
C408	4030017550	S.CER ECJ0EC1H1R5B	B	26.3/18.9
C409	4030017430	S.CER ECJ0EC1H101J	B	28.4/17.4

[RF UNIT]

REF NO.	PARTS NO.	DESCRIPTION	M.	H/V LOCATION
C410	4030017690	S.CER ECJ0EC1H121J	B	29.3/17.4
C411	4030017380	S.CER ECJ0EC1H050B	B	29.9/20.2
C412	4030018860	S.CER ECJ0EB0J105K	B	33.2/16.4
C413	4030017460	S.CER ECJ0EB1E102K	B	32/16.9
C414	4030016790	S.CER ECJ0EB1C103K	B	34.2/18.7
C415	4030017460	S.CER ECJ0EB1E102K	B	34.8/17.8
C417	4030017460	S.CER ECJ0EB1E102K	B	35.5/19
C418	4030017460	S.CER ECJ0EB1E102K	B	33.2/17.3
C419	4030017430	S.CER ECJ0EC1H101J	B	36.3/17.2
C420	4030017530	S.CER ECJ0EC1HOR5B	B	38.7/17.4
C421	4030017660	S.CER ECJ0EC1H330J	B	38.7/16.5
C422	4030017430	S.CER ECJ0EC1H101J	B	41.4/14.8
C423	4030017580	S.CER ECJ0EC1H060C	B	39.9/16.8
C424	4030017460	S.CER ECJ0EB1E102K	B	38.5/19.2
C425	4030017460	S.CER ECJ0EB1E102K	B	36.5/20.1
C450	4030017550	S.CER ECJ0EC1H1R5B	B	26.6/20.8
C451	4030017430	S.CER ECJ0EC1H101J	B	24.3/23.1
C452	4030017460	S.CER ECJ0EB1E102K	B	23.4/22.1
C453	4030017380	S.CER ECJ0EC1H050B	B	27.9/23.6
C454	4030018860	S.CER ECJ0EB0J105K	B	31.5/26.1
C455	4030017460	S.CER ECJ0EB1E102K	B	26.7/25
C456	4030016790	S.CER ECJ0EB1C103K	B	30.6/26.1
C457	4030017460	S.CER ECJ0EB1E102K	B	29.7/26.1
C459	4030017460	S.CER ECJ0EB1E102K	B	34/23.8
C460	4030017430	S.CER ECJ0EC1H101J	B	35.5/25.9
C461	4030017460	S.CER ECJ0EB1E102K	B	32.4/26.9
C462	4030017530	S.CER ECJ0EC1HOR5B	B	37.1/22.9
C463	4030017660	S.CER ECJ0EC1H330J	B	37.1/23.8
C464	4030017440	S.CER ECJ0EC1H221J	B	36.7/26.5
C465	4030017430	S.CER ECJ0EC1H101J	B	38.7/25.2
C466	4030017580	S.CER ECJ0EC1H060C	B	38.3/21.9
C467	4030017420	S.CER ECJ0EC1H470J	B	46.2/19.4
C469	4030017420	S.CER ECJ0EC1H470J	B	46.1/22.7
C470	4030017420	S.CER ECJ0EC1H470J	B	38/20.7
C471	4030017420	S.CER ECJ0EC1H470J	B	39.2/20.1
C472	4030017460	S.CER ECJ0EB1E102K	B	44.4/17.7
C473	4030017420	S.CER ECJ0EC1H470J	B	44.9/18.9
C474	4030017420	S.CER ECJ0EC1H470J	B	40.9/24.2
C500	4030017380	S.CER ECJ0EC1H050B	B	10.6/36.7
C501	4030017460	S.CER ECJ0EB1E102K	B	5.9/38.5
C502	4030017610	S.CER ECJ0EC1H090C	B	7.2/36.2
C503	4030017460	S.CER ECJ0EB1E102K	B	7.9/40.7
C504	4030017590	S.CER ECJ0EC1H070C	B	9.7/38.4
C505	4030017460	S.CER ECJ0EB1E102K	B	8.8/41.9
C506	4030017460	S.CER ECJ0EB1E102K	B	10.6/42.8
C507	4030017460	S.CER ECJ0EB1E102K	B	12.1/41.9
C508	4030017460	S.CER ECJ0EB1E102K	B	13.7/44.6
C509	4030017610	S.CER ECJ0EC1H090C	B	12.8/40.3
C510	4030017350	S.CER ECJ0EC1H020B	B	14/39.8
C511	4030017610	S.CER ECJ0EC1H090C	B	15.2/43.6
C512	4030017440	S.CER ECJ0EC1H221J	B	16.3/44.4
C513	4030017460	S.CER ECJ0EB1E102K	B	18/44.1
C514	4030017630	S.CER ECJ0EC1H120J	B	18.6/40.7
C515	4030017460	S.CER ECJ0EB1E102K	B	19.9/37.6
C516	4030017460	S.CER ECJ0EB1E102K	B	20.2/41.6
C517	4030017600	S.CER ECJ0EC1H080C	B	18.7/37.8
C518	4030017460	S.CER ECJ0EB1E102K	B	15.5/35.4
C519	4030017390	S.CER ECJ0EC1H180J	B	11.8/37.2
C523	4030017460	S.CER ECJ0EB1E102K	B	13.3/37.6
C600	4030017380	S.CER ECJ0EC1H050B	B	18.2/30.8
C601	4030017650	S.CER ECJ0EC1H270J	B	17/30.3
C602	4030017630	S.CER ECJ0EC1H120J	B	17.7/29.4
C603	4030018860	S.CER ECJ0EB0J105K	B	26/35.3
C604	4030017460	S.CER ECJ0EB1E102K	B	20/34.6
C606	4030016790	S.CER ECJ0EB1C103K	B	21.9/36.4
C607	4030017460	S.CER ECJ0EB1E102K	B	22.4/35.2
C608	4030017350	S.CER ECJ0EC1H020B	B	23.8/32.4
C609	4030017350	S.CER ECJ0EC1H020B	B	26/29.8
C610	4030017630	S.CER ECJ0EC1H120J	B	29.4/27.7
C611	4030017530	S.CER ECJ0EC1HOR5B	B	30.8/31
C612	4030017350	S.CER ECJ0EC1H020B	B	30.8/29.7
C613	4030017630	S.CER ECJ0EC1H120J	B	32.3/28.2
C614	4030017460	S.CER ECJ0EB1E102K	B	31.2/27.3
C615	4030017380	S.CER ECJ0EC1H050B	B	34.8/29.7
C616	4030018860	S.CER ECJ0EB0J105K	B	34.4/27.8
C617	4030017460	S.CER ECJ0EB1E102K	B	37.1/27.8
C618	4030016790	S.CER ECJ0EB1C103K	B	38/27.7
C619	4030017460	S.CER ECJ0EB1E102K	B	39.8/27.7
C620	4030017460	S.CER ECJ0EB1E102K	B	40.7/27.8
C621	4030017620	S.CER ECJ0EC1H100C	B	40.4/30.6
C622	4030017640	S.CER ECJ0EC1H150J	B	44.3/30.4
C623	4030017340	S.CER ECJ0EC1H010B	B	41.8/28.1
C625	4030017640	S.CER ECJ0EC1H150J	B	44/26.4
C626	4030017460	S.CER ECJ0EB1E102K	B	45.2/26.7
C627	4030017570	S.CER ECJ0EC1H040B	B	41.8/24.2
C630	4030017630	S.CER ECJ0EC1H120J	B	17.4/32.1
C631	4030017390	S.CER ECJ0EC1H180J	B	17/31.2
C633	4030017670	S.CER ECJ0EC1H390J	B	15.3/32.8
C650	4030017350	S.CER ECJ0EC1H020B	B	27.6/30.4
C651	4030017630	S.CER ECJ0EC1H120J	B	27.3/36.3
C652	4030017530	S.CER ECJ0EC1HOR5B	B	29.6/33.7
C653	4030017350	S.CER ECJ0EC1H020B	B	29.6/34.6
C654	4030017640	S.CER ECJ0EC1H150J	B	31/36.4
C655	4030017460	S.CER ECJ0EB1E102K		

[RF UNIT]

REF NO.	PARTS NO.	DESCRIPTION	M.	H/V LOCATION
C659	4030016790	S.CER ECJ0EB1C103K	B	37.4/37.4
C660	4030017460	S.CER ECJ0EB1E102K	B	38.3/36.9
C662	4030017620	S.CER ECJ0EC1H100C	B	41.3/35.1
C663	4030017640	S.CER ECJ0EC1H150J	B	43.1/37.7
C664	4030017340	S.CER ECJ0EC1H010B	B	45.4/35
C666	4030017640	S.CER ECJ0EC1H150J	B	46.7/37.9
C667	4030017460	S.CER ECJ0EB1E102K	B	44.9/38.9
C668	4030017570	S.CER ECJ0EC1H040B	B	45.9/33.8
C669	4030017420	S.CER ECJ0EC1H470J	B	43.9/24.4
C671	4030017460	S.CER ECJ0EB1E102K	T	43/23.8
C672	4030016930	S.CER ECJ0EB1A104K	B	44.1/22.7
C673	4030017460	S.CER ECJ0EB1E102K	B	39.6/11.3
C674	4030016930	S.CER ECJ0EB1A104K	B	23.5/29.6
C700	4030017380	S.CER ECJ0EC1H050B	T	18/43.1
C701	4030017580	S.CER ECJ0EC1H060C	T	18/42.2
C702	4030017460	S.CER ECJ0EB1E102K	T	16.4/44
C703	4030017460	S.CER ECJ0EB1E102K	T	14.8/43.7
C704	4030017650	S.CER ECJ0EC1H270J	T	20/41.5
C705	4030017380	S.CER ECJ0EC1H050B	T	15.9/40.9
C706	4030017460	S.CER ECJ0EB1E102K	T	20/40.6
C707	4030017460	S.CER ECJ0EB1E102K	T	12.2/41.2
C708	4030017680	S.CER ECJ0EC1H820J	T	20/38.2
C709	4030017460	S.CER ECJ0EB1E102K	T	10.4/39.6
C710	4030017650	S.CER ECJ0EC1H270J	T	9.5/36.4
C711	4030017550	S.CER ECJ0EC1H1R5B	T	12.5/38.4
C713	4030017650	S.CER ECJ0EC1H270J	T	13/34.7
C714	4030017460	S.CER ECJ0EB1E102K	T	9.5/35.5
C715	4030017640	S.CER ECJ0EC1H150J	T	14/36.9
C716	4030017460	S.CER ECJ0EB1E102K	T	14.9/35.3
C717	4030017460	S.CER ECJ0EB1E102K	T	17.9/35.3
C718	4030017620	S.CER ECJ0EC1H100C	T	19.2/37.3
C719	4030017730	S.CER ECJ0EB1E471K	T	13.5/43.4
C721	4030017460	S.CER ECJ0EB1E102K	T	25/34.1
C722	4030017400	S.CER ECJ0EC1H220J	T	12.1/35.2
C800	4030017570	S.CER ECJ0EC1H040B	T	46.1/23.3
C801	4030017570	S.CER ECJ0EC1H040B	T	46.1/22.4
C802	4030017460	S.CER ECJ0EB1E102K	T	45.7/18.3
C803	4030017460	S.CER ECJ0EB1E102K	T	47.5/18.1
C804	4030017460	S.CER ECJ0EB1E102K	T	42.5/22.6
C805	4030017570	S.CER ECJ0EC1H040B	T	44.1/22.6
C806	4030017460	S.CER ECJ0EB1E102K	T	43.4/19.1
C807	4030016790	S.CER ECJ0EB1C103K	T	24.5/28.2
C810	4030017430	S.CER ECJ0EC1H101J	T	25.6/24.4
C811	4030016790	S.CER ECJ0EB1C103K	T	25.6/25.3
C812	4030016790	S.CER ECJ0EB1C103K	T	25.8/22.6
C813	4030017430	S.CER ECJ0EC1H101J	T	27/22.3
C814	4550007680	S.TAN TEESVP OJ 226M8R	T	28.4/22.6
C815	4030017400	S.CER ECJ0EC1H220J	T	26.8/30.1
C818	4030017430	S.CER ECJ0EC1H101J	T	32.4/27.2
C819	4030017460	S.CER ECJ0EB1E102K	T	31.9/29.9
C820	4550006910	S.TAN TEESVP 1C 334M8R	T	32/21.9
C821	4550007760	S.TAN TEESVP 1A 335M8R	T	33.7/21.2
C822	4340000260	S.MYL ECPU1C104MA5	T	33.6/25.3
C823	4550007120	S.TAN F92 1D 224MPA	T	30.1/22.3
C826	4030017420	S.CER ECJ0EC1H470J	T	40.9/20.8
C830	4030017460	S.CER ECJ0EB1E102K	T	49.8/41.8
C833	4030018860	S.CER ECJ0EB0J105K	T	40.3/37.4
C834	4030017460	S.CER ECJ0EB1E102K	T	40.3/36.5
C835	4030017460	S.CER ECJ0EB1E102K	T	45.2/39.3
C836	4030018860	S.CER ECJ0EB0J105K	T	46.1/39.3
C837	4030017460	S.CER ECJ0EB1E102K	T	33/28.7
C838	4030017730	S.CER ECJ0EB1E471K	T	35/17.6
C839	4030017440	S.CER ECJ0EC1H221J	T	46.6/18.3
C840	4030017420	S.CER ECJ0EC1H470J	T	35/18.5
C841	4550007680	S.TAN TEESVP OJ 226M8R	T	42.4/35.5
C850	4030017460	S.CER ECJ0EB1E102K	T	34.9/29.2
C851	4030017460	S.CER ECJ0EB1E102K	T	39.5/30.7
C852	4030017350	S.CER ECJ0EC1H020B	T	36.9/25.8
C853	4030017350	S.CER ECJ0EC1H020B	T	40.3/28.4
C854	4030017460	S.CER ECJ0EB1E102K	T	39.1/28
C855	4030017360	S.CER ECJ0EC1H030B	T	38.3/18.3
C856	4030017360	S.CER ECJ0EC1H030B	T	37.1/16.5
C857	4030017350	S.CER ECJ0EC1H020B	T	36.2/18
C858	4030017620	S.CER ECJ0EC1H100C	T	26.4/23.5
C859	4030017570	S.CER ECJ0EC1H040B	T	44.8/18.3
C900	4030016790	S.CER ECJ0EB1C103K	T	37.9/14.6
C901	4030017460	S.CER ECJ0EB1E102K	T	39.1/14.8
C902	4030017400	S.CER ECJ0EC1H220J	B	40.5/11.3
C903	4030016790	S.CER ECJ0EB1C103K	B	47.6/26.9
C904	4030017460	S.CER ECJ0EB1E102K	B	43.7/12
C905	4030017460	S.CER ECJ0EB1E102K	B	43.7/13
C906	4030017440	S.CER ECJ0EC1H221J	T	42.9/28.7
C907	4030017440	S.CER ECJ0EC1H221J	B	47.7/32.8
C908	4030017730	S.CER ECJ0EB1E471K	B	49.6/31.7
C909	4030017650	S.CER ECJ0EC1H270J	T	40.7/18.2
C910	4030017460	S.CER ECJ0EB1E102K	B	44.8/32.7
C911	4030017420	S.CER ECJ0EC1H470J	T	42.3/33
C912	4030017420	S.CER ECJ0EC1H470J	B	48/30.9
C915	4030017420	S.CER ECJ0EC1H470J	B	48.8/29.8
C919	4030017460	S.CER ECJ0EB1E102K	B	32.8/37.3
C950	4030016930	S.CER ECJ0EB1A104K	T	39.4/39.7
C951	4030016930	S.CER ECJ0EB1A104K	B	37.2/45.3
C952	4550007680	S.TAN TEESVP OJ 226M8R	T	36/45.6
C960	4030016930	S.CER ECJ0EB1A104K	T	39.4/38.8
C961	4030016930	S.CER ECJ0EB1A104K	T	35.1/34.4
C962	4030016930	S.CER ECJ0EB1A104K	B	34.7/37
C963	4030016930	S.CER ECJ0EB1A104K	B	33.7/37

[RF UNIT]

REF NO.	PARTS NO.	DESCRIPTION	M.	H/V LOCATION
C964	4030016930	S.CER ECJ0EB1A104K	T	31.2/37.4
C965	4030016930	S.CER ECJ0EB1A104K	T	32.2/45.3
C966	4030016930	S.CER ECJ0EB1A104K	T	33.1/45.3
C967	4030016930	S.CER ECJ0EB1A104K	T	32.7/34.4
C1000	4030017460	S.CER ECJ0EB1E102K	B	42.6/7
C1002	4030017460	S.CER ECJ0EB1E102K	B	46.5/2.4
C1004	4030017460	S.CER ECJ0EB1E102K	T	27/5.1
C1005	4030017460	S.CER ECJ0EB1E102K	B	36.2/9.7
C1006	4030017460	S.CER ECJ0EB1E102K	B	40.8/8.2
C1007	4510008540	S.ELE EEE1CA100SR	T	45.5/11.8
C1008	4030017460	S.CER ECJ0EB1E102K	B	39.6/9.5
C1009	4030017460	S.CER ECJ0EB1E102K	B	45.1/23.6
C1010	4030017350	S.CER ECJ0EC1H020B	T	35.7/8.1
J800	6510025370	S.CON AXK816145YG	T	38/21.9
J1000	6450000870	CON HEC2711-01-020		
J1001	6510024411	S.CON AXK6S30547YG	T	47.2/30.3
EP1	6910018460	S.BEA MMZ1005Y102C-T	B	6.7/9.7
EP100	6910014730	S.BEA MPZ2012S331A-T	T	14.6/4
EP101	6910012350	S.BEA MMZ1608Y 102BT	T	17.8/5.4
EP102	6910018460	S.BEA MMZ1005Y102C-T	T	37.1/9.3
EP150	6910018460	S.BEA MMZ1005Y102C-T	B	27.3/3
EP900	6910018460	S.BEA MMZ1005Y102C-T	T	40.3/14.4
EP1000	6910014730	S.BEA MPZ2012S331A-T	B	48.7/6
EP1001	6910014730	S.BEA MPZ2012S331A-T	B	42.7/5
EP1002	6910014730	S.BEA MPZ2012S331A-T	B	35.1/2.8
EP1003	6910014730	S.BEA MPZ2012S331A-T	T	26.4/3.7
MP100	8410002610	S.HEA 2888 PA HEATSINK Y835	B	14.6/9.4
MP101	6910014760	S.PLA OG-503040	B	32/10.9

[VCO UNIT]

REF NO.	PARTS NO.	DESCRIPTION	M.	H/V LOCATION
Q1	1530003560	S.TRA 2SC5195-T1	T	10.4/16.5
Q2	1590003280	S.TRA UNR9211J-(TX)	T	4.6/15.1
Q51	1530003560	S.TRA 2SC5195-T1	T	14/9.6
Q52	1590003280	S.TRA UNR9211J-(TX)	T	18.1/17.4
Q101	1530003260	S.TRA 2SC5006-T1	T	9/2.5
Q102	1590003280	S.TRA UNR9211J-(TX)	T	19/1.8
Q200	1530003260	S.TRA 2SC5006-T1	T	8.8/10.9
Q201	1530003260	S.TRA 2SC5006-T1	T	3.8/3.5
Q202	1530003260	S.TRA 2SC5006-T1	T	5.6/11.4
D1	1750001270	S.VAR 1SV325(TPH3,F)	T	3.2/18
D2	1790001621	S.DIO 1SV308(TPL3,F)	T	7.1/16.3
D3	1750001270	S.VAR 1SV325(TPH3,F)	T	12.2/15.5
D4	1790001250	S.DIO MA2S111-(TX)	T	12.8/18.9
D5	1750001270	S.VAR 1SV325(TPH3,F)	T	4.4/17.3
D6	1750001270	S.VAR 1SV325(TPH3,F)	T	12.2/14.3
D51	1750000771	S.VAR HVC376BTFR-E	T	16.5/14.2
D52	1790001260	S.DIO MA2S077-(TX)	T	14.6/17.7
D53	1790001250	S.DIO MA2S111-(TX)	T	12.4/7.4
D54	1750001270	S.VAR 1SV325(TPH3,F)	T	15.6/12.4
D55	1720000651	S.VAR 1SV286(TPH3,F)	T	17.4/10.6
D100	1720000651	S.VAR 1SV286(TPH3,F)	T	17.4/16.1
D101	1750000721	S.VAR HVC375BTFR-E	T	12.2/2.2
D102	1790001260	S.DIO MA2S077-(TX)	T	16.8/5.4
D103	1790001250	S.DIO MA2S111-(TX)	T	7.4/16.1
D104	1750000721	S.VAR HVC375BTFR-E	T	13.9/3.1
L2	6200011650	S.COI LQW18AN68NG00D	T	6.8/18.3
L3	6200011660	S.COI LQW18ANR15G00D	T	5/19.1
L52	6200010850	S.COI LQW18AN22NG00D (LQW1608A22NG00D)	T	14.7/13.9
L53	6200012050	S.COI LQW18AN24NG00D	T	14.7/15.1
L101	6200011031	S.COI ELJRF R10JFB	T	7.6/3.5
L102	6200010120	S.COI LQW18AN5N6C00D	T	12.3/4.7
L103	6200012060	S.COI LQW18AN9N1D00D	T	14.1/5.4
L104	6200013430	S.COI MLG1005S R15J-T		
L200	6200010991	S.COI ELJRF 47NJFB	T	2.3/1.5
L201	6200011021	S.COI ELJRF 82NJFB	T	4/11.9
L202	6200007951	S.COI ELJRF 8N2JFB (8.2)	T	3.6/10.1
L203	6200007931	S.COI ELJRF 12NJFB	T	4.1/1.5
L204	6200007961	S.COI ELJRF 6N8JFB (6.8)	T	6.3/5
R1	7030005240	S.RES ERJ2GEJ 473 X (47K)	T	6.2/15
R2	7030007290	S.RES ERJ2GEJ 222 X (2.2K)	T	8/15
R3	7030004970	S.RES ERJ2GEJ 470 X (47)	T	10.7/18.8
R4	7030005050	S.RES ERJ2GEJ 103 X (10K)	T	10.7/17.9
R5	7030005050	S.RES ERJ2GEJ 103 X (10K)	T	9.1/18.8
R6	7030005710	S.RES ERJ2GEJ 121 X (120)	T	10/13.8
R7	7030005090	S.RES ERJ2GEJ 104 X (100K)	T	11.6/12.4
R8	7030005120	S.RES ERJ2GEJ 102 X (1K)	T	2.8/16.4
R9	7030010040	S.RES ERJ2GEJ-JPW	T	11.6/13.3
R10	7030007290	S.RES ERJ2GEJ 222 X (2.2K)	T	7.1/15
R50	7030005120	S.RES ERJ2GEJ 102 X (1K)	T	17.5/13.9
R51	7030005240	S.RES ERJ2GEJ 473 X (47K)	T	16.5/17.2

M.=Mounted side (T: Mounted on the Top side, B: Mounted on the Bottom side) S.=Surface mount

[VCO UNIT]

REF NO.	PARTS NO.	DESCRIPTION	M.	H/V LOCATION
R52	7030007290	S.RES ERJ2GEJ 222 X (2.2K)	T	15.6/16.4
R53	7030004970	S.RES ERJ2GEJ 470 X (47)	T	12.8/8.4
R54	7030005210	S.RES ERJ2GEJ 822 X (8.2K)	T	15.5/9.5
R55	7030005050	S.RES ERJ2GEJ 103 X (10K)	T	16.4/9.5
R56	7030007270	S.RES ERJ2GEJ 151 X (150)	T	12.3/10.2
R58	7030005600	S.RES ERJ2GEJ 273 X (27K)	T	18.9/11.8
R59	7030005600	S.RES ERJ2GEJ 273 X (27K)	T	19.8/10.2
R60	7030007290	S.RES ERJ2GEJ 222 X (2.2K)	T	13.8/16.4
R61	7030007320	S.RES ERJ2GEJ 225 X (2.2M)	T	19.8/13.4
R62	7030005090	S.RES ERJ2GEJ 104 X (100K)	T	17.7/12.7
R101	7030005240	S.RES ERJ2GEJ 473 X (47K)	T	17.9/6.5
R102	7030007290	S.RES ERJ2GEJ 222 X (2.2K)	T	15.6/6.5
R104	7030007300	S.RES ERJ2GEJ 332 X (3.3K)	T	9.2/1
R105	7030005050	S.RES ERJ2GEJ 103 X (10K)	T	9/4.7
R106	7030004990	S.RES ERJ2GEJ 221 X (220)	T	10.2/5.6
R107	7030005090	S.RES ERJ2GEJ 104 X (100K)	T	18.2/7.4
R108	7030007320	S.RES ERJ2GEJ 225 X (2.2M)	T	16.6/7.4
R109	7030008410	S.RES ERJ2GEJ 392 X (3.9K)	T	16.6/8.3
R110	7030007340	S.RES ERJ2GEJ 153 X (15K)	T	18.9/10.2
R111	7030005120	S.RES ERJ2GEJ 102 X (1K)	T	15.2/3.3
R112	7030007290	S.RES ERJ2GEJ 222 X (2.2K)	T	16.6/4.1
R113	7030005040	S.RES ERJ2GEJ 472 X (4.7K)	T	20.2/16.2
R114	7030010040	S.RES ERJ2GEJ-JPW	T	19.4/3.4
R115	7030010040	S.RES ERJ2GEJ-JPW	T	17.8/3.4
R116	7030004980	S.RES ERJ2GEJ 101 X (100)	T	10/8.2
R200	7030009160	S.RES ERJ2GEJ 181 X (180)	T	7.5/13.2
R201	7030005070	S.RES ERJ2GEJ 683 X (68K)	T	9.5/9.4
R202	7030005300	S.RES ERJ2GEJ 150 X (15)	T	8.9/7
R203	7030005570	S.RES ERJ2GEJ 820 X (82)	T	7.7/8.2
R204	7030005570	S.RES ERJ2GEJ 820 X (82)	T	7.3/7
R205	7030004970	S.RES ERJ2GEJ 470 X (47)	T	2.1/2.7
R206	7030005060	S.RES ERJ2GEJ 333 X (33K)	T	5.3/3.9
R207	7030004970	S.RES ERJ2GEJ 470 X (47)	T	5.9/8.1
R208	7030005070	S.RES ERJ2GEJ 683 X (68K)	T	5.9/9
C1	4030017460	S.CER ECJ0EB1E102K	T	3.1/13.6
C3	4030017690	S.CER ECJ0EC1H121J	T	9.1/17.9
C4	4030016790	S.CER ECJ0EB1C103K	T	7.9/17.6
C5	4030016790	S.CER ECJ0EB1C103K	T	5.5/17
C6	4030017460	S.CER ECJ0EB1E102K	T	3.1/15.2
C7	4030017460	S.CER ECJ0EB1E102K	T	12.8/17.5
C8	4030016790	S.CER ECJ0EB1C103K	T	11.9/17.5
C9	4030017680	S.CER ECJ0EC1H820J	T	8.8/16.6
C10	4030017460	S.CER ECJ0EB1E102K	T	10/14.7
C11	4030017350	S.CER ECJ0EC1H020B	T	10.3/11.9
C51	4030017460	S.CER ECJ0EB1E102K	T	18.9/13.8
C53	4030018070	S.CER ECJ0EC1H300J	T	15.5/11.1
C54	4030017460	S.CER ECJ0EB1E102K	T	14.7/16.4
C55	4030017460	S.CER ECJ0EB1E102K	T	17.5/15.7
C56	4030017460	S.CER ECJ0EB1E102K	T	19.6/17.7
C57	4030017460	S.CER ECJ0EB1E102K	T	12.3/9.3
C58	4030017460	S.CER ECJ0EB1E102K	T	14.9/8
C59	4030017650	S.CER ECJ0EC1H270J	T	13.9/11.1
C60	4030017420	S.CER ECJ0EC1H470J	T	13.4/12.3
C61	4030017540	S.CER ECJ0EC1HR75B	T	12.3/11.1
C62	4030016930	S.CER ECJ0EB1A104K	T	19.8/11.8
C63	4030017530	S.CER ECJ0EC1H0R5B	T	16.4/11.1
C101	4030017460	S.CER ECJ0EB1E102K	T	15.9/10.5
C102	4030017500	S.CER ECJ0EC1H560J	T	15.9/2.4
C103	4030017620	S.CER ECJ0EC1H100C	T	10.8/1.1
C104	4030017460	S.CER ECJ0EB1E102K	T	14/6.5
C105	4030017460	S.CER ECJ0EB1E102K	T	17.8/4.4
C106	4030017460	S.CER ECJ0EB1E102K	T	19.8/4.5
C107	4030017460	S.CER ECJ0EB1E102K	T	7.2/4.7
C108	4030017460	S.CER ECJ0EB1E102K	T	8.1/4.7
C109	4030017390	S.CER ECJ0EC1H180J	T	10.5/2.5
C110	4030017380	S.CER ECJ0EC1H050B	T	10.2/4.7
C111	4030017350	S.CER ECJ0EC1H020B	T	10.7/6.8
C112	4030017530	S.CER ECJ0EC1H0R5B	T	12.5/1.1
C114	4030017460	S.CER ECJ0EB1E102K	T	18/8.6
C115	4030016930	S.CER ECJ0EB1A104K	T	18.9/8.6
C116	4030017460	S.CER ECJ0EB1E102K	T	19.8/7.7
C117	4030018860	S.CER ECJ0EB0J105K	T	19.8/15
C118	4030017640	S.CER ECJ0EC1H150J	T	10.2/3.8
C200	4030017460	S.CER ECJ0EB1E102K	T	8.4/12.9
C201	4030017460	S.CER ECJ0EB1E102K	T	9.1/8.2
C202	4030017460	S.CER ECJ0EB1E102K	T	2.4/5.6
C203	4030017460	S.CER ECJ0EB1E102K	T	2.3/4.4
C204	4030017460	S.CER ECJ0EB1E102K	T	5.3/5.5
C205	4030017460	S.CER ECJ0EB1E102K	T	3.2/1.5
C206	4030017460	S.CER ECJ0EB1E102K	T	5.6/12.9
C207	4030017380	S.CER ECJ0EC1H050B	T	7.2/10.5
C208	4030017460	S.CER ECJ0EB1E102K	T	3.1/11.9
C209	4030017380	S.CER ECJ0EC1H050B	T	3.3/8.3
C210	4030017380	S.CER ECJ0EC1H050B	T	2.4/8.3
C211	4030017360	S.CER ECJ0EC1H030B	T	2.7/10.1
C213	4030017590	S.CER ECJ0EC1H070C	T	5.5/2.7
J1	6510025380	S.CON AXK716147G	B	4.8/10

[MAIN UNIT]

REF NO.	PARTS NO.	DESCRIPTION	M.	H/V LOCATION
IC50	1110005230	S.IC UPC2757TB-E3	T	34.3/13.3
IC100	1110003201	S.IC TA31136FNG(EL)	T	12.4/39.2
IC150	1110006380	S.IC LM2904PWR	T	15.4/32.2
IC200	1110003201	S.IC TA31136FNG(EL)	B	23/15.2
IC250	1110006380	S.IC LM2904PWR	T	15.4/27
IC400	1130011671	S.IC MB15E03SLPFV1-G-ER-6E1	T	41.6/8.1
IC500	1130011770	S.IC CD4066BPWR	B	9.3/27.2
IC501	1110003800	S.IC NJM2904V-TE1-#FMZB	B	21.3/26.8
IC502	1110003800	S.IC NJM2904V-TE1-#FMZB	B	21.3/31.8
IC600	1190001350	S.IC M62364FP 600D	B	33/28.3
IC700	1130011770	S.IC CD4066BPWR	T	33.4/29.6
IC701	1130011760	S.IC CD4094BPWR	B	41.7/20.8
IC702	1130011760	S.IC CD4094BPWR	B	41.6/15.1
IC703	1130011770	S.IC CD4066BPWR	T	26.2/29.6
IC704	1110006380	S.IC LM2904PWR	B	44.7/41.5
Q1	1530002601	S.TRA 2SC4215-O(TE85R,F)	T	34.9/37.6
Q2	1530002601	S.TRA 2SC4215-O(TE85R,F)	T	29.9/39.7
Q100	1530002601	S.TRA 2SC4215-O(TE85R,F)	T	20/45.4
Q101	1590003280	S.TRA UNR9211J-(TX)	B	19.1/46.2
Q102	1590003280	S.TRA XP1115(TX)	B	18.9/43.6
Q103	1590001190	S.TRA XP6501-(TX).AB	B	7.5/46.2
Q104	1590001190	S.TRA XP6501-(TX).AB	B	6.4/41.3
Q105	1590003250	S.TRA UNR9115J-(TX)	B	8.8/40.8
Q150	1590003250	S.TRA UNR9115J-(TX)	T	22.6/36.1
Q151	1590003280	S.TRA UNR9211J-(TX)	T	24.9/36
Q200	1530002601	S.TRA 2SC4215-O(TE85R,F)	B	27.7/11
Q201	1590003290	S.TRA UNR9213J-(TX)	T	22.6/22
Q202	1590001190	S.TRA XP6501-(TX).AB	T	15.5/3.2
Q203	1590001190	S.TRA XP6501-(TX).AB	T	11/4.8
Q204	1590003250	S.TRA UNR9115J-(TX)	T	12.4/7.3
Q205	1590003250	S.TRA UNR9115J-(TX)	T	18.6/10
Q250	1590003250	S.TRA UNR9115J-(TX)	T	10.1/23.9
Q300	1590003230	S.TRA UNR9113J-(TX)	T	31.8/3.8
Q301	1530003560	S.TRA 2SC5195-T1	T	29.6/8.6
Q350	1590003230	S.TRA UNR9113J-(TX)	T	25.2/4.2
Q351	1530003560	S.TRA 2SC5195-T1	T	26.4/12.4
Q353	1530003260	S.TRA 2SC5006-T1	T	29.1/13.5
Q450	1530002601	S.TRA 2SC4215-O(TE85R,F)	T	46.3/16.3
Q451	1530002601	S.TRA 2SC4215-O(TE85R,F)	T	34.4/19.3
Q452	1530002601	S.TRA 2SC4215-O(TE85R,F)	T	36.3/22.7
Q453	1590002380	S.TRA XP1115(TX)	T	27.8/35.8
Q500	1590003280	S.TRA UNR9211J-(TX)	B	13.4/26.1
Q501	1590003280	S.TRA UNR9211J-(TX)	B	13.6/29.9
Q502	1530004000	S.TRA 2SC4738-GR(TE85L,F)	B	25.2/35.3
Q603	1590003250	S.TRA UNR9115J-(TX)	B	36/21.7
Q604	1590002380	S.TRA XP1115(TX)	B	35.4/19.3
Q650	1590003280	S.TRA UNR9211J-(TX)	B	49.6/6.3
Q651	1590001170	S.TRA XP1501-(TX).AB	B	47.9/9.7
Q652	1520000460	S.TRA 2SB1132 T100 R	B	49.3/17.3
Q700	1510001100	S.TRA 2SA1832-GR(TE85R,F)	B	48.3/39.1
Q701	1590003290	S.TRA UNR9213J-(TX)	B	50.5/41.2
D2	1750000361	S.DIO 1SS364(TE85L,F)	B	41.2/36.6
D3	1750000361	S.DIO 1SS364(TE85L,F)	T	23.3/46.4
D10	1750001210	S.DIO HSB888ASTR-E	T	34.9/40.2
D100	1790001240	S.DIO MA2S728-(TX)	T	22.5/41.3
D102	1790000850	S.DIO MA132WK(TX)	T	4.9/42
D103	1790000850	S.DIO MA132WK(TX)	B	12.1/40.1
D104	1790001240	S.DIO MA2S728-(TX)	B	5.4/44.5
D105	1790001250	S.DIO MA2S111-(TX)	B	9.9/35.5
D200	1790001240	S.DIO MA2S728-(TX)	B	29.9/12.8
D202	1750000361	S.DIO 1SS364(TE85L,F)	B	18.7/17.6
D203	1750000361	S.DIO 1SS364(TE85L,F)	B	19.3/11.4
D204	1790001240	S.DIO MA2S728-(TX)	T	13.1/3.2
D205	1790001250	S.DIO MA2S111-(TX)	T	6.5/9.8
D300	1750001270	S.VAR 1SV325(TPH3,F)	T	34.4/9.5
D301	1750000771	S.VAR HVC376BTRF-E	T	33.6/7.7
D350	1750000721	S.VAR HVC375BTRF-E	T	26.9/9
D351	1790000850	S.DIO MA132WK(TX)	T	27.9/7.3
D352	1750000721	S.VAR HVC375BTRF-E	T	25.1/8.5
D450	1750000361	S.DIO 1SS364(TE85L,F)	T	27.3/24.2
D451	1790001240	S.DIO MA2S728-(TX)	T	50.4/10.8
D452	1790000850	S.DIO MA132WK(TX)	T	25.9/20.2
D700	1730002260	S.ZEN MA8030-H(TX)	T	32/34.2
F11	2030000450	S.MON DSF753S 61.65 MHz(FL-394)	T	31.8/44.8
F12	2020001800	S.CER SFECV13M3DA0001-R0 (SFECV13.35M)	T	25.1/40.7
FI50	2030000150	S.MON DSF753SB 46.350 MHz(FL-335)	B	32.1/5.7
FI100	2020002480	S.CER LWC450E1 <JJE>	T	11.2/46.6
FI200	2020002480	S.CER LWC450E1 <JJE>	B	11.4/15.7
FI201	2020002180	S.CER CFWKA450KHFA-R0	B	13.8/5.3
X100	6070000300	S.DIS JTBM450CX24 <JJE>	B	16.4/38.3
X200	6070000300	S.DIS JTBM450CX24 <JJE>	T	16.7/21.7
X450	6050012380	S.XTA CR-826 DSA53SD 15.3 MHz	T	47.9/8.9
L1	6200005140	S.COI MLF1608D R33K-T	T	32.8/40.1
L10	6200010381	S.COI ELJRE R15JFA	B	37.7/35.5
L30	6200009181	S.COI ELJRE R10JFA	B	34.7/35.5
L50	6200011021	S.COI ELJRF 82NJFB	T	31.1/14.6

M.=Mounted side (T: Mounted on the Top side, B: Mounted on the Bottom side) S.=Surface mount

[MAIN UNIT]

REF NO.	PARTS NO.		DESCRIPTION	M.	H/V LOCATION
L100	6200003630	S.COI	MLF1608D R68K-T	T	19.9/43.5
L101	6200003131	S.COI	NLV32T-120J	B	15.7/43.6
L200	6200003630	S.COI	MLF1608D R68K-T	B	27.2/14.8
L301	6200011580	S.COI	LQW18AN33NG00D	T	32.9/9.6
L351	6200009220	S.COI	LQW18AN15NG00D (LQW1608A15NG00)	T	25.1/9.8
L450	6200005190	S.COI	MLF1608D R56K-T	T	32.4/20.3
L451	6200005190	S.COI	MLF1608D R56K-T	T	28.8/19.4
L452	6200004790	S.COI	MLF1608D R47K-T	T	34.3/23.9
L453	6200004790	S.COI	MLF1608D R47K-T	T	30.6/22.7
L454	6200004920	S.COI	MLF1608A 2R2K-T	T	50/5.2
R6	7030007290	S.RES	ERJ2GEJ 222 X (2.2K)	B	42.8/36.6
R7	7030007290	S.RES	ERJ2GEJ 222 X (2.2K)	T	38.4/43.4
R8	7030007280	S.RES	ERJ2GEJ 331 X (330)	T	37/43.1
R9	7030007280	S.RES	ERJ2GEJ 331 X (330)	T	26.9/47
R10	7030007290	S.RES	ERJ2GEJ 222 X (2.2K)	T	25/47.9
R11	7030007290	S.RES	ERJ2GEJ 222 X (2.2K)	T	23.4/47.9
R14	7030005580	S.RES	ERJ2GEJ 560 X (56)	B	39.7/35.8
R15	7030005170	S.RES	ERJ2GEJ 474 X (470K)	T	33.2/37.9
R16	7030004980	S.RES	ERJ2GEJ 101 X (100)	T	37.6/38.3
R17	7030005170	S.RES	ERJ2GEJ 474 X (470K)	T	30.4/37.9
R18	7030007280	S.RES	ERJ2GEJ 331 X (330)	T	28/39.1
R19	7030007290	S.RES	ERJ2GEJ 222 X (2.2K)	T	23.8/44.9
R23	7030010040	S.RES	ERJ2GEJ-JPW	T	28/37.5
R24	7030007280	S.RES	ERJ2GEJ 331 X (330)	T	25.9/45.7
R25	7030005290	S.RES	ERJ2GEJ 682 X (6.8K)	T	32/37.8
R51	7030007270	S.RES	ERJ2GEJ 151 X (150)	B	35.3/9.3
R52	7030009160	S.RES	ERJ2GEJ 181 X (180)	B	26.9/37.3
R55	7030005120	S.RES	ERJ2GEJ 102 X (1K)	B	50.6/37
R100	7030007340	S.RES	ERJ2GEJ 153 X (15K)	T	20.5/42.1
R101	7030005290	S.RES	ERJ2GEJ 682 X (6.8K)	T	21.4/42.1
R102	7030004990	S.RES	ERJ2GEJ 221 X (220)	T	21.7/47.5
R104	7030004990	S.RES	ERJ2GEJ 221 X (220)	T	19.6/42.1
R105	7030007570	S.RES	ERJ2GEJ 122 X (1.2K)	B	16.1/47.4
R106	7030005120	S.RES	ERJ2GEJ 102 X (1K)	T	17.6/37.9
R107	7030005240	S.RES	ERJ2GEJ 473 X (47K)	T	18.8/39.5
R108	7030005030	S.RES	ERJ2GEJ 152 X (1.5K)	T	7.7/39.3
R111	7030005100	S.RES	ERJ2GEJ 154 X (150K)	T	9.1/35.2
R112	7030005120	S.RES	ERJ2GEJ 102 X (1K)	T	7.5/35.2
R113	7030005310	S.RES	ERJ2GEJ 124 X (120K)	T	8.2/37.4
R114	7030008010	S.RES	ERJ2GEJ 123 X (12K)	T	3.5/41.8
R115	7030008010	S.RES	ERJ2GEJ 123 X (12K)	T	6.7/42
R116	7030008010	S.RES	ERJ2GEJ 123 X (12K)	B	11.1/41.6
R117	7030005120	S.RES	ERJ2GEJ 102 X (1K)	B	11.4/42.9
R118	7030008010	S.RES	ERJ2GEJ 123 X (12K)	B	12.6/37.1
R119	7030008010	S.RES	ERJ2GEJ 123 X (12K)	B	11.7/37.1
R120	7030005030	S.RES	ERJ2GEJ 152 X (1.5K)	B	8.5/43.3
R121	7030005120	S.RES	ERJ2GEJ 102 X (1K)	B	6.9/43.3
R122	7030005220	S.RES	ERJ2GEJ 223 X (22K)	B	6.9/44.3
R123	7030005100	S.RES	ERJ2GEJ 154 X (150K)	B	9.3/45.7
R124	7030005240	S.RES	ERJ2GEJ 473 X (47K)	B	4.7/42.4
R125	7030005700	S.RES	ERJ2GEJ 274 X (270K)	B	7.7/40.3
R126	7030005110	S.RES	ERJ2GEJ 224 X (220K)	B	7.8/39.1
R127	7030005040	S.RES	ERJ2GEJ 472 X (4.7K)	B	7.8/37.3
R129	7030004980	S.RES	ERJ2GEJ 101 X (100)	B	4.3/44.1
R130	7030007340	S.RES	ERJ2GEJ 153 X (15K)	B	10.2/45.7
R131	7030005040	S.RES	ERJ2GEJ 472 X (4.7K)	B	9.9/37.4
R132	7030005050	S.RES	ERJ2GEJ 103 X (10K)	B	7.8/35.5
R133	7030005220	S.RES	ERJ2GEJ 223 X (22K)	B	8.3/34.3
R150	7030005050	S.RES	ERJ2GEJ 103 X (10K)	T	20.2/30.1
R151	7030005090	S.RES	ERJ2GEJ 104 X (100K)	T	22.1/29.6
R152	7030005080	S.RES	ERJ2GEJ 823 X (82K)	T	8.2/30.3
R153	7030005080	S.RES	ERJ2GEJ 823 X (82K)	T	9.1/32
R154	7030005080	S.RES	ERJ2GEJ 823 X (82K)	T	10.5/32.2
R155	7030005230	S.RES	ERJ2GEJ 334 X (330K)	T	9.1/30.3
R156	7030005100	S.RES	ERJ2GEJ 154 X (150K)	T	18.6/30.1
R157	7030005070	S.RES	ERJ2GEJ 683 X (68K)	T	20.2/33.7
R158	7030005240	S.RES	ERJ2GEJ 473 X (47K)	T	19.8/32.3
R159	7030005160	S.RES	ERJ2GEJ 105 X (1M)	T	20.7/32.3
R200	7030007340	S.RES	ERJ2GEJ 153 X (15K)	B	28.1/13.3
R201	7030005290	S.RES	ERJ2GEJ 682 X (6.8K)	B	29.2/19
R202	7030004990	S.RES	ERJ2GEJ 221 X (220)	B	29.7/10
R204	7030004990	S.RES	ERJ2GEJ 221 X (220)	B	29.3/14.8
R205	7030007290	S.RES	ERJ2GEJ 222 X (2.2K)	B	21/21.4
R206	7030008400	S.RES	ERJ2GEJ 182 X (1.8K)	T	21.8/20.2
R207	7030004980	S.RES	ERJ2GEJ 101 X (100)	T	13.3/5.8
R209	7030005240	S.RES	ERJ2GEJ 473 X (47K)	B	22.2/21
R210	7030005030	S.RES	ERJ2GEJ 152 X (1.5K)	B	23.7/10.9
R214	7030005100	S.RES	ERJ2GEJ 154 X (150K)	B	17.6/14.8
R215	7030005120	S.RES	ERJ2GEJ 102 X (1K)	B	17.6/13.9
R216	7030005310	S.RES	ERJ2GEJ 124 X (120K)	B	19.7/13.5
R217	7030005120	S.RES	ERJ2GEJ 102 X (1K)	T	14.7/5.5
R218	7030005030	S.RES	ERJ2GEJ 152 X (1.5K)	T	15.9/6
R219	7030005220	S.RES	ERJ2GEJ 223 X (22K)	T	13.8/4.6
R220	7030005100	S.RES	ERJ2GEJ 154 X (150K)	T	17.3/4.6
R221	7030005240	S.RES	ERJ2GEJ 473 X (47K)	T	10.4/7.1
R223	7030005110	S.RES	ERJ2GEJ 224 X (220K)	T	9.2/4.8
R224	7030005700	S.RES	ERJ2GEJ 274 X (270K)	T	9.7/2.8
R225	7030005040	S.RES	ERJ2GEJ 472 X (4.7K)	T	6.9/7.5
R227	7030008410	S.RES	ERJ2GEJ 392 X (3.9K)	B	19.7/19.3
R228	7030008010	S.RES	ERJ2GEJ 123 X (12K)	B	17/11.2
R229	7030008010	S.RES	ERJ2GEJ 123 X (12K)	B	17/10.3
R230	7030008010	S.RES	ERJ2GEJ 123 X (12K)	B	18.8/19.3
R231	7030008410	S.RES	ERJ2GEJ 392 X (3.9K)	B	19.9/9.6
R232	7030008010	S.RES	ERJ2GEJ 123 X (12K)	B	17.9/19.3
R233	7030007340	S.RES	ERJ2GEJ 153 X (15K)	T	17.3/3

[MAIN UNIT]

REF NO.	PARTS NO.		DESCRIPTION	M.	H/V LOCATION
R234	7030005220	S.RES	ERJ2GEJ 223 X (22K)	T	5.4/11
R250	7030005050	S.RES	ERJ2GEJ 103 X (10K)	T	21.4/25.1
R251	7030005090	S.RES	ERJ2GEJ 104 X (100K)	T	23/25.1
R252	7030005080	S.RES	ERJ2GEJ 823 X (82K)	T	8.3/26
R253	7030005080	S.RES	ERJ2GEJ 823 X (82K)	T	9.2/28.3
R254	7030005080	S.RES	ERJ2GEJ 823 X (82K)	T	10.1/28.3
R255	7030005230	S.RES	ERJ2GEJ 334 X (330K)	T	9.2/26.7
R256	7030005100	S.RES	ERJ2GEJ 154 X (150K)	T	12.2/28.9
R257	7030005070	S.RES	ERJ2GEJ 683 X (68K)	T	20.2/28.5
R258	7030005240	S.RES	ERJ2GEJ 473 X (47K)	T	19.8/27.2
R259	7030005160	S.RES	ERJ2GEJ 105 X (1M)	T	20.7/27.2
R300	7030004970	S.RES	ERJ2GEJ 470 X (47)	T	29.3/5
R301	7030005290	S.RES	ERJ2GEJ 682 X (6.8K)	T	29.7/7
R302	7030005050	S.RES	ERJ2GEJ 103 X (10K)	T	31.5/9.2
R303	7030007270	S.RES	ERJ2GEJ 151 X (150)	T	31.5/11
R304	7030005120	S.RES	ERJ2GEJ 102 X (1K)	T	35.3/7.8
R305	7030005040	S.RES	ERJ2GEJ 472 X (4.7K)	T	9/8.8
R306	7030005050	S.RES	ERJ2GEJ 103 X (10K)	T	6.9/11.4
R350	7030004970	S.RES	ERJ2GEJ 470 X (47)	T	25/6.6
R351	7030005290	S.RES	ERJ2GEJ 682 X (6.8K)	T	26.1/10.8
R352	7030005050	S.RES	ERJ2GEJ 103 X (10K)	T	24.5/12.7
R353	7030007280	S.RES	ERJ2GEJ 331 X (330)	T	24.5/13.6
R354	7030007270	S.RES	ERJ2GEJ 151 X (150)	T	30.2/12.2
R355	7030005070	S.RES	ERJ2GEJ 683 X (68K)	T	29.2/14.9
R356	7030005120	S.RES	ERJ2GEJ 102 X (1K)	T	26.3/7
R400	7030005120	S.RES	ERJ2GEJ 102 X (1K)	T	42.8/3.8
R401	7030005120	S.RES	ERJ2GEJ 102 X (1K)	T	42.8/2.3
R402	7030005120	S.RES	ERJ2GEJ 102 X (1K)	T	45.3/3.4
R403	7030005120	S.RES	ERJ2GEJ 102 X (1K)	T	45.3/2.5
R404	7030009270	S.RES	ERJ2GEJ 331 X (820)	B	43.1/9.6
R405	7030008250	S.RES	RR0510P-562-D (5.6K)	B	39.5/7.9
R406	7030011170	S.RES	RR0510P-471-D (470)	B	40/9.1
R410	7030005580	S.RES	ERJ2GEJ 560 X (56)	T	39.3/15
R450	7030006610	S.RES	ERJ2GEJ 394 X (390K)	T	50.2/12.4
R451	7030007340	S.RES	ERJ2GEJ 153 X (15K)	T	49/12.9
R452	7030005100	S.RES	ERJ2GEJ 154 X (150K)	T	46.9/14.2
R453	7030005700	S.RES	ERJ2GEJ 274 X (270K)	T	48.1/12.9
R455	7030004980	S.RES	ERJ2GEJ 101 X (100)	T	43.2/15.9
R456	7030005070	S.RES	ERJ2GEJ 683 X (68K)	T	44.5/15.8
R457	7030005080	S.RES	ERJ2GEJ 823 X (82K)	T	48.3/16.8
R458	7030005120	S.RES	ERJ2GEJ 102 X (1K)	T	48.3/15.9
R459	7030005000	S.RES	ERJ2GEJ 471 X (470)	T	30.3/20.1
R460	7030005090	S.RES	ERJ2GEJ 104 X (100K)	T	36.3/20
R470	7030005000	S.RES	ERJ2GEJ 471 X (470)	T	32.2/24
R471	7030005110	S.RES	ERJ2GEJ 224 X (220K)	T	36.5/24.5
R472	7030007290	S.RES	ERJ2GEJ 222 X (2.2K)	T	27.5/22.7
R473	7030007290	S.RES	ERJ2GEJ 222 X (2.2K)	T	29.3/24.8
R474	7030007290	S.RES	ERJ2GEJ 222 X (2.2K)	T	25.7/23.8
R500	7030005090	S.RES	ERJ2GEJ 104 X (100K)	B	9.9/22.6
R501	7030005120	S.RES	ERJ2GEJ 102 X (1K)	B	13.7/24.5
R502	7030008010	S.RES	ERJ2GEJ 123 X (12K)	B	15/27.9
R503	7030007340	S.RES	ERJ2GEJ 153 X (15K)	B	15.9/27.9
R504	7030007060	S.RES	ERJ2GEJ 684X (680K)	B	16.8/25.4
R505	7030005110	S.RES	ERJ2GEJ 224 X (220K)	B	20.4/24.3
R506	7030005090	S.RES	ERJ2GEJ 104 X (100K)	B	14.1/28
R507	7030005220	S.RES	ERJ2GEJ 223 X (22K)	B	15.7/23.8
R508	7030005220	S.RES	ERJ2GEJ 223 X (22K)	B	26/25.9
R509	7030005220	S.RES	ERJ2GEJ 223 X (22K)	B	26/27.8
R550	7030005090	S.RES	ERJ2GEJ 104 X (100K)	B	13.2/33.5
R551	7030005120	S.RES	ERJ2GEJ 102 X (1K)	B	13.2/31.8
R552	7030008010	S.RES	ERJ2GEJ 123 X (12K)	B	14.2/33.5
R553	7030007340	S.RES	ERJ2GEJ 153 X (15K)	B	15.1/33.5
R554	7030007060	S.RES	ERJ2GEJ 684X (680K)	B	16.3/31.3
R555	7030005110	S.RES	ERJ2GEJ 224 X (220K)	B	21.3/29.3
R556	7030005090	S.RES	ERJ2GEJ 104 X (100K)	B	16/33.5
R557	7030005220	S.RES	ERJ2GEJ 223 X (22K)	B	16.7/29.9
R558	7030005220	S.RES	ERJ2GEJ 223 X (22K)	B	26/30.8
R559	7030005220	S.RES	ERJ2GEJ 223 X (22K)	B	26/32.6
R560	7030005100	S.RES	ERJ2GEJ 154 X (150K)	B	20.6/34.4
R562	7030005160	S.RES	ERJ2GEJ 105 X (1M)	B	22/35.6
R563	7030008280	S.RES	ERJ2GEJ 271 X (270)	B	26.7/35.6
R564	7030005170	S.RES	ERJ2GEJ 474 X (470K)	B	23.8/35.6
R565	7030007290	S.RES	ERJ2GEJ 222 X (2.2K)	B	26.8/34.3
R566	7030005040	S.RES	ERJ2GEJ 472 X (4.7K)	B	27.6/30.8
R567					

[MAIN UNIT]

REF NO.	PARTS NO.	DESCRIPTION	M.	H/V LOCATION
C3	4030016790	S.CER ECJ0EB1C103K	B	44/36.8
C4	4030016790	S.CER ECJ0EB1C103K	T	38/42.1
C5	4030017580	S.CER ECJ0EC1H060C	T	36.6/44.3
C6	4030017630	S.CER ECJ0EC1H120J	T	30.3/41.6
C7	4030017580	S.CER ECJ0EC1H060C	T	26.9/45.7
C8	4030016790	S.CER ECJ0EB1C103K	T	25.3/47
C9	4030016790	S.CER ECJ0EB1C103K	T	21.8/45.4
C10	4030017620	S.CER ECJ0EC1H100C	B	33.7/35.7
C12	4030016790	S.CER ECJ0EB1C103K	T	36.7/38.3
C13	4030017430	S.CER ECJ0EC1H101J	T	31.7/39
C14	4030017460	S.CER ECJ0EB1E102K	T	32/36.9
C15	4030016790	S.CER ECJ0EB1C103K	T	28/40.7
C16	4030016930	S.CER ECJ0EB1A104K	T	29.2/37.7
C17	4030016930	S.CER ECJ0EB1A104K	T	25/45.7
C18	4030017380	S.CER ECJ0EC1H050B	B	36.2/34.6
C19	4030017510	S.CER ECJ0EC1H680J	B	35.8/35.8
C20	4030017510	S.CER ECJ0EC1H680J	B	36.7/35.8
C24	4030017780	S.CER ECJ0EB1E472K	T	27.3/47.9
C25	4030017780	S.CER ECJ0EB1E472K	T	22.6/43.8
C26	4030017780	S.CER ECJ0EB1E472K	B	38.8/35.8
C29	4030017780	S.CER ECJ0EB1E472K	T	37.5/44.3
C30	4030016790	S.CER ECJ0EB1C103K	B	39.2/34.6
C50	4030017510	S.CER ECJ0EC1H680J	T	32.3/14.2
C51	4030017620	S.CER ECJ0EC1H100C	T	32.3/12.6
C52	4030017460	S.CER ECJ0EB1E102K	T	34.7/15.2
C54	4030016790	S.CER ECJ0EB1C103K	T	34.6/11.4
C56	4030017570	S.CER ECJ0EC1H040B	B	36.7/5.7
C57	4030017390	S.CER ECJ0EC1H180J	B	33.8/2.4
C58	4030017570	S.CER ECJ0EC1H040B	B	27.6/5.7
C59	4030016790	S.CER ECJ0EB1C103K	B	27.4/9.1
C60	4030017510	S.CER ECJ0EC1H680J	T	32.3/15.1
C61	4030017620	S.CER ECJ0EC1H100C	B	51.5/36.3
C102	4030016790	S.CER ECJ0EB1C103K	T	20.8/47.5
C104	4030017460	S.CER ECJ0EB1E102K	T	19.9/47.5
C105	4030016790	S.CER ECJ0EB1C103K	T	18.7/42.1
C106	4030017460	S.CER ECJ0EB1E102K	B	17.7/46.5
C108	4030017510	S.CER ECJ0EC1H680J	B	16.1/46.5
C109	4030018140	S.CER ECJ0EB1H391K	B	16.1/45.6
C111	4030017680	S.CER ECJ0EC1H820J	T	16.7/37.9
C112	4030017430	S.CER ECJ0EC1H101J	T	16.7/40
C113	4030016790	S.CER ECJ0EB1C103K	T	18.8/40.4
C114	4550006010	S.TAN TEESVA OG 106M8R	T	20.7/38.3
C115	4030016930	S.CER ECJ0EB1A104K	T	18.8/36.7
C116	4030016930	S.CER ECJ0EB1A104K	T	18.8/37.6
C117	4030017040	S.CER ECJ0EB1A333K	T	17.6/40
C118	4030017460	S.CER ECJ0EB1E102K	T	17.1/36.7
C119	4030017460	S.CER ECJ0EB1E102K	T	17.1/35.8
C120	4030017460	S.CER ECJ0EB1E102K	T	10.3/35.7
C121	4030017730	S.CER ECJ0EB1E471K	T	9.1/36.1
C122	4030017730	S.CER ECJ0EB1E471K	T	7.5/36.1
C123	4030016930	S.CER ECJ0EB1A104K	T	7.7/40.2
C124	4030016930	S.CER ECJ0EB1A104K	B	11.9/38.5
C125	4030016930	S.CER ECJ0EB1A104K	T	11.2/35.7
C126	4030017430	S.CER ECJ0EC1H101J	B	10.6/40.4
C127	4030018900	S.CER ECJ0EB0J474K	B	5.8/46.7
C128	4030016790	S.CER ECJ0EB1C103K	B	8.5/44.3
C129	4030017460	S.CER ECJ0EB1E102K	B	3.8/42.4
C130	4550006120	S.TAN TEESVA OG 226M8R	B	2.2/41.2
C131	4030016930	S.CER ECJ0EB1A104K	B	9.9/38.3
C132	4030017460	S.CER ECJ0EB1E102K	B	9.9/39.2
C133	4030017460	S.CER ECJ0EB1E102K	B	3.8/40.3
C134	4030016790	S.CER ECJ0EB1C103K	B	7.8/36.4
C135	4030018860	S.CER ECJ0EB0J105K	B	8.3/32.6
C136	4030016930	S.CER ECJ0EB1A104K	T	4.5/44
C137	4030016930	S.CER ECJ0EB1A104K	B	12.3/42
C138	4030016790	S.CER ECJ0EB1C103K	T	13.7/35.9
C142	4030017430	S.CER ECJ0EC1H101J	B	9.7/43.8
C143	4030018860	S.CER ECJ0EB0J105K	B	9.9/36.5
C144	4030018860	S.CER ECJ0EB0J105K	B	7.8/38.2
C150	4030017770	S.CER ECJ0EB1E333K	T	21.6/30.8
C151	4030017720	S.CER ECJ0EB1H331K	T	22.5/30.8
C152	4030016940	S.CER ECJ0EB1A393K	T	8.2/32
C153	4030017910	S.CER ECJ0EB1H152K	T	10.9/31
C154	4030016930	S.CER ECJ0EB1A104K	T	10.5/33.1
C155	4030018860	S.CER ECJ0EB0J105K	T	16/29.8
C156	4030016930	S.CER ECJ0EB1A104K	T	10/30.3
C157	4030016930	S.CER ECJ0EB1A104K	T	21.8/33.7
C158	4030017430	S.CER ECJ0EC1H101J	T	20.2/31
C159	4030017460	S.CER ECJ0EB1E102K	T	25.9/34.5
C160	4030017460	S.CER ECJ0EB1E102K	T	22.2/34.7
C203	4030016790	S.CER ECJ0EB1C103K	B	29.7/10.9
C204	4030017460	S.CER ECJ0EB1E102K	B	29.7/11.8
C205	4030016790	S.CER ECJ0EB1C103K	B	26.4/16.3
C206	4030016930	S.CER ECJ0EB1A104K	T	21.3/23.6
C207	4030017680	S.CER ECJ0EC1H820J	B	21.8/19.4
C208	4030016930	S.CER ECJ0EB1A104K	T	21.4/19
C210	4030017460	S.CER ECJ0EB1E102K	T	22.9/23.6
C211	4030017430	S.CER ECJ0EC1H101J	B	24.1/20.3
C212	4030017040	S.CER ECJ0EB1A333K	B	23.4/19.4
C213	4030016790	S.CER ECJ0EB1C103K	B	26.2/19.9
C214	4550006010	S.TAN TEESVA OG 106M8R	B	26.6/22.1
C215	4030016930	S.CER ECJ0EB1A104K	B	25.3/19.9
C216	4030016930	S.CER ECJ0EB1A104K	B	24.1/9.6
C218	4030017460	S.CER ECJ0EB1E102K	B	19.7/20.9
C219	4030017460	S.CER ECJ0EB1E102K	B	19.7/22.5
C220	4030017460	S.CER ECJ0EB1E102K	B	17.6/15.7
C221	4030017730	S.CER ECJ0EB1E471K	B	18.8/13.5

[MAIN UNIT]

REF NO.	PARTS NO.	DESCRIPTION	M.	H/V LOCATION
C222	4030017730	S.CER ECJ0EB1E471K	B	19.3/14.8
C223	4030016930	S.CER ECJ0EB1A104K	B	19.7/16.3
C224	4030016930	S.CER ECJ0EB1A104K	B	22/10.9
C225	4030016930	S.CER ECJ0EB1A104K	B	20.8/9.6
C226	4030017420	S.CER ECJ0EC1H470J	T	18.5/5.1
C227	4030018900	S.CER ECJ0EB0J474K	T	12.9/4.6
C228	4030016790	S.CER ECJ0EB1C103K	T	15.9/5.1
C229	4030017460	S.CER ECJ0EB1E102K	T	11.5/2.8
C230	4550006120	S.TAN TEESVA OG 226M8R	B	6.4/3.6
C231	4030017460	S.CER ECJ0EB1E102K	T	10.6/2.8
C232	4030016790	S.CER ECJ0EB1C103K	T	7.8/7.5
C233	4030018860	S.CER ECJ0EB0J105K	T	5.9/12.3
C234	4030016930	S.CER ECJ0EB1A104K	T	15/7.8
C235	4030017460	S.CER ECJ0EB1E102K	T	15/6.9
C236	4030016930	S.CER ECJ0EB1A104K	B	17/12.1
C237	4030016930	S.CER ECJ0EB1A104K	B	18.5/9.7
C238	4030016930	S.CER ECJ0EB1A104K	B	16.6/16.9
C239	4030016930	S.CER ECJ0EB1A104K	B	16.1/20.2
C240	4030016930	S.CER ECJ0EB1A104K	B	17.9/20.9
C241	4030016930	S.CER ECJ0EB1A104K	B	16.7/18.1
C243	4030017780	S.CER ECJ0EB1E472K	B	18.8/20.9
C244	4030017780	S.CER ECJ0EB1E472K	B	17/20.2
C250	4030017770	S.CER ECJ0EB1E332K	T	21.7/26.4
C251	4030017720	S.CER ECJ0EB1H331K	T	22.6/26.4
C252	4030016940	S.CER ECJ0EB1A393K	T	7.4/26
C253	4030017910	S.CER ECJ0EB1H152K	T	11/26.7
C254	4030016930	S.CER ECJ0EB1A104K	T	11/28.3
C255	4030018860	S.CER ECJ0EB0J105K	T	12/25.1
C256	4030016930	S.CER ECJ0EB1A104K	T	10.1/26
C257	4030016930	S.CER ECJ0EB1A104K	T	21.9/27.7
C258	4030017430	S.CER ECJ0EC1H101J	T	20.1/25.9
C259	4030017460	S.CER ECJ0EB1E102K	T	10.6/21.8
C260	4030017460	S.CER ECJ0EB1E102K	T	9.6/21.8
C261	4030018860	S.CER ECJ0EB0J105K	T	9/7.9
C262	4030018860	S.CER ECJ0EB0J105K	T	7.7/10.1
C263	4030017460	S.CER ECJ0EB1E102K	B	43.5/11.8
C300	4030017460	S.CER ECJ0EB1E102K	T	33.9/4.2
C301	4030017460	S.CER ECJ0EB1E102K	T	33.9/3.3
C302	4550006010	S.TAN TEESVA OG 106M8R	T	32.3/5.9
C303	4030017460	S.CER ECJ0EB1E102K	T	31.5/8.3
C305	4030017640	S.CER ECJ0EC1H150J	T	31.5/7.4
C306	4030017650	S.CER ECJ0EC1H270J	T	30.2/10.6
C307	4030017420	S.CER ECJ0EC1H470J	T	31.5/10.1
C308	4030017340	S.CER ECJ0EC1H010B	T	28.9/10.7
C309	4030017400	S.CER ECJ0EC1H220J	T	25/7.5
C350	4030017460	S.CER ECJ0EB1E102K	T	27.3/4.7
C351	4030017460	S.CER ECJ0EB1E102K	T	27.3/3.7
C352	4030017460	S.CER ECJ0EB1E102K	T	25/5.6
C353	4030017430	S.CER ECJ0EC1H101J	T	24.5/10.8
C355	4030017640	S.CER ECJ0EC1H150J	T	27.3/11.1
C356	4030017630	S.CER ECJ0EC1H120J	T	26.4/14
C357	4030017390	S.CER ECJ0EC1H180J	T	24.5/11.8
C358	4030017550	S.CER ECJ0EC1H1R5B	T	27.5/14.9
C359	4030017460	S.CER ECJ0EB1E102K	T	31.1/13
C360	4030017460	S.CER ECJ0EB1E102K	T	28.9/12
C400	4030018890	S.CER ECJ0EB0J224K	T	41.2/14
C401	4030017460	S.CER ECJ0EB1E102K	T	41.2/14.9
C402	4030018890	S.CER ECJ0EB0J224K	T	41.2/16.7
C403	4030017460	S.CER ECJ0EB1E102K	T	41.2/15.8
C404	4030017460	S.CER ECJ0EB1E102K	T	40.2/12.8
C405	4030016790	S.CER ECJ0EB1C103K	T	44.5/14.2
C406	4030017420	S.CER ECJ0EC1H470J	T	41.2/3.5
C407	4030017420	S.CER ECJ0EC1H470J	T	41.2/2.6
C408	4030017420	S.CER ECJ0EC1H470J	T	45.3/4.3
C409	4030017420	S.CER ECJ0EC1H470J	T	45.3/1.6
C410	4030016930	S.CER ECJ0EB1A104K	T	41.4/12.8
C411	4550005980	S.TAN TEESVA 1A 475M8R	B	43.6/6.6
C412	4340000260	S.MYL ECPU1C104MA5	T	35.6/5.3
C414	4550007610	S.TAN F931E474MAABMA	B	41.5/6.6
C415	4030017620	S.CER ECJ0EC1H100C	B	40/6.5
C416	4030017460	S.CER ECJ0EB1E102K	T	39.3/13.4
C450	4030016930	S.CER ECJ0EB1A104K	T	50.3/8.7
C451	4030017460	S.CER ECJ0EB1E102K	T	50.6/6.6
C452	4030018860	S.CER ECJ0EB0J105K	T	49/14.5
C453	4030017460	S.CER ECJ0EB1E102K	T	46.9/12.4
C454	4030017460	S.CER ECJ0EB1E102K	T	46.9/13.3
C455	4030016790	S.CER ECJ0EB1C103K	T	48.3/17.7
C456	4030016790	S.CER ECJ0EB1C103K	T	48.3/18.6
C457	4030017460	S.CER ECJ0EB1E102K	T	27.5/21.1
C458	4030016790	S.CER ECJ0EB1C103K	T	31.7/18.9
C459	4030017430	S.CER ECJ0EC1H101J	T	37.5/19.5
C460	4030017390	S.CER ECJ0EC1H180J	T	32.6/18.9
C461	4030017360	S.CER ECJ0EC1H030B	T	30.8/18.9
C462	4030017630	S.CER ECJ0EC1H120J	T	29.9/18.9
C463	4030017570	S.CER ECJ0EC1H040B	T	27.8/19.5
C464	4030017460	S.CER ECJ0EB1E102K	T	29.4/22.7
C465	4030016790	S.CER ECJ0EB1C103K	T	33.5/22.6
C466	4030017420	S.CER ECJ0EC1H470J	T	37.6/20.8
C467	4030017630	S.CER ECJ0EC1H120J	T	34.4/22.6
C468	4030017350	S.CER ECJ0EC1H020B	T	32.6/22.7
C469	4030017600	S.CER ECJ0EC1H080C	T	31.7/22.7
C470	4030017570	S.CER ECJ0EC1H040B	T	29.3/23.9
C471	4030017420	S.CER ECJ0EC1H470J	T	49.6/16.9
C472	4030017460	S.CER ECJ0EB1E102K	T	30/36.3
C473	4030			

[MAIN UNIT]

REF NO.	PARTS NO.	DESCRIPTION	M.	H/V LOCATION
C476	4030017620	S.CER ECJ0EC1H100C	T	47.4/5.1
C477	4030017500	S.CER ECJ0EC1H560J	T	48.3/5.1
C478	4030017440	S.CER ECJ0EC1H221J	T	51.2/8.7
C479	4030018860	S.CER ECJ0EB0J105K	T	48.1/14.5
C500	4030016930	S.CER ECJ0EB1A104K	B	5.8/27.2
C501	4030017460	S.CER ECJ0EB1E102K	B	5.8/28.1
C502	4030017460	S.CER ECJ0EB1E102K	B	8.6/22.6
C503	4030017460	S.CER ECJ0EB1E102K	B	5.8/29
C504	4030016930	S.CER ECJ0EB1A104K	B	15/25.4
C505	4030016790	S.CER ECJ0EB1C103K	B	15.4/26.6
C506	4030017790	S.CER ECJ0EB1E682K	B	15.9/25.4
C507	4030018920	S.CER ECJ0EB1H392K	B	16.8/27
C508	4030016930	S.CER ECJ0EB1A104K	B	13.2/27.9
C509	4030016930	S.CER ECJ0EB1A104K	B	18.1/28.6
C510	4030016790	S.CER ECJ0EB1C103K	B	14.5/23.6
C512	4030017790	S.CER ECJ0EB1E682K	B	26/26.9
C513	4030017910	S.CER ECJ0EB1H152K	B	24.7/28.6
C514	4030016930	S.CER ECJ0EB1A104K	B	26.8/25
C550	4030016930	S.CER ECJ0EB1A104K	B	14.2/31.8
C551	4030016790	S.CER ECJ0EB1C103K	B	15.1/31.8
C552	4030017780	S.CER ECJ0EB1E472K	B	15.5/30.4
C553	4030018240	S.CER ECJ0EB1E562K	B	16.3/32.3
C554	4030016930	S.CER ECJ0EB1A104K	B	16.9/33.5
C555	4030016790	S.CER ECJ0EB1C103K	B	15.5/29.4
C556	4030017790	S.CER ECJ0EB1E682K	B	26/31.7
C557	4030017910	S.CER ECJ0EB1H152K	B	25.1/33.5
C558	4030016930	S.CER ECJ0EB1A104K	B	26/29.9
C559	4030016930	S.CER ECJ0EB1A104K	B	18.1/33.5
C560	4030018390	S.CER ECJ0EB1A563K	B	22.2/34.4
C561	4030017330	S.CER ECJ0EF1C104Z	B	22.9/35.6
C562	4030017460	S.CER ECJ0EB1E102K	B	21.1/35.6
C563	4030016930	S.CER ECJ0EB1A104K	B	29.1/36
C564	4030016930	S.CER ECJ0EB1A104K	B	27.3/32.9
C600	4550006970	S.TAN TEESVA0G476M8R	B	31.9/22
C601	4030017460	S.CER ECJ0EB1E102K	B	32.3/34.1
C602	4030017460	S.CER ECJ0EB1E102K	B	28.1/29.1
C603	4550006010	S.TAN TEESVA 0G 106M8R	B	39.4/31.3
C614	4030017440	S.CER ECJ0EC1H221J	B	35.5/17.1
C650	4030017460	S.CER ECJ0EB1E102K	B	51.3/6.4
C651	4030017460	S.CER ECJ0EB1E102K	B	48.1/5.8
C652	4030017460	S.CER ECJ0EB1E102K	B	50.6/9.7
C653	4030017460	S.CER ECJ0EB1E102K	B	49.7/8.1
C654	4550006250	S.TAN TEESVA 1A 106M8R	B	49.3/12.1
C655	4030017440	S.CER ECJ0EC1H221J	B	50.6/13.9
C700	4030017460	S.CER ECJ0EB1E102K	T	29.8/30.3
C701	4030017460	S.CER ECJ0EB1E102K	T	29.8/29.4
C702	4030017460	S.CER ECJ0EB1E102K	B	37.3/16.6
C703	4030017460	S.CER ECJ0EB1E102K	B	40.3/24.1
C704	4030017460	S.CER ECJ0EB1E102K	T	5.1/18
C705	4030017460	S.CER ECJ0EB1E102K	T	5/34.3
C706	4030017460	S.CER ECJ0EB1E102K	T	5.3/27.5
C707	4030017460	S.CER ECJ0EB1E102K	B	46.7/38.8
C708	4030017460	S.CER ECJ0EB1E102K	B	48.9/41.2
C709	4030017460	S.CER ECJ0EB1E102K	B	40.4/38.8
C710	4030017460	S.CER ECJ0EB1E102K	B	44.9/38.8
C711	4030017460	S.CER ECJ0EB1E102K	T	29.8/26.2
C712	4030017460	S.CER ECJ0EB1E102K	T	29.8/27.1
C713	4030017460	S.CER ECJ0EB1E102K	T	22.5/32.4
C714	4030017460	S.CER ECJ0EB1E102K	T	23.4/32.8
C715	4030017460	S.CER ECJ0EB1E102K	T	29.8/28
C716	4030017460	S.CER ECJ0EB1E102K	T	29.8/31.2
C717	4030017460	S.CER ECJ0EB1E102K	T	29.8/32.1
C718	4030017460	S.CER ECJ0EB1E102K	T	29.8/33
C719	4030017460	S.CER ECJ0EB1E102K	B	45.8/38.8
C723	4030017420	S.CER ECJ0EC1H470J	B	17/22.1
C724	4030017400	S.CER ECJ0EC1H220J	T	46.8/47.8
C725	4030017400	S.CER ECJ0EC1H220J	T	41/47.8
C726	4030017400	S.CER ECJ0EC1H220J	T	40.3/44
C727	4030017400	S.CER ECJ0EC1H220J	B	46/42.9
C730	4030017440	S.CER ECJ0EC1H221J	B	41.6/34.3
C731	4030017440	S.CER ECJ0EC1H221J	B	41.6/35.2
C733	4030017440	S.CER ECJ0EC1H221J	B	51.7/30.9
C734	4030017440	S.CER ECJ0EC1H221J	B	51.7/32.1
C735	4030017460	S.CER ECJ0EB1E102K	B	41.6/31.6
C751	4030017420	S.CER ECJ0EC1H470J	T	47.1/41.2
C752	4030017420	S.CER ECJ0EC1H470J	T	48.9/41.2
C753	4030017460	S.CER ECJ0EB1E102K	T	48.3/38
C754	4030017400	S.CER ECJ0EC1H220J	T	51/36.4
C755	4030017400	S.CER ECJ0EC1H220J	T	50.6/34.1
C756	4030017400	S.CER ECJ0EC1H220J	T	51.5/34.1
C757	4030017420	S.CER ECJ0EC1H470J	T	50.3/32.9
C758	4030017420	S.CER ECJ0EC1H470J	T	51.5/32.5
C760	4030017460	S.CER ECJ0EB1E102K	T	49.4/28.2
C764	4030017400	S.CER ECJ0EC1H220J	T	49.4/30
C765	4030017400	S.CER ECJ0EC1H220J	T	47.1/23.3
C766	4030017400	S.CER ECJ0EC1H220J	T	47.1/24.9
C771	4030017440	S.CER ECJ0EC1H221J	T	48/41.2
C772	4030017400	S.CER ECJ0EC1H220J	T	37/35.4
C773	4030017420	S.CER ECJ0EC1H470J	T	49.2/37.6
C775	4030017420	S.CER ECJ0EC1H470J	T	51/35.5
C777	4030017420	S.CER ECJ0EC1H470J	T	49.7/34.1
C779	4030017420	S.CER ECJ0EC1H470J	T	49.4/31.6
C781	4030017420	S.CER ECJ0EC1H470J	T	37/27.8
C789	4030017400	S.CER ECJ0EC1H220J	T	49.4/29.1
C790	4030017420	S.CER ECJ0EC1H470J	T	37/30.7
C792	4030017400	S.CER ECJ0EC1H220J	T	31.7/40.6
C793	4030017460	S.CER ECJ0EB1E102K	B	7.7/22.6

[MAIN UNIT]

REF NO.	PARTS NO.	DESCRIPTION	M.	H/V LOCATION
J702	6510024131	S.CON IMSA-9637S-40Y905	T	42.5/30.7
J703	6510022881	S.CON AXK5S30347YG	B	47.6/32.4
S700	2260002840	SWI SKHLLFA010		
S701	2260002840	SWI SKHLLFA010		
EP50	6910018460	S.BEA MMZ1005Y102C-T	T	36.1/14.1
EP100	6910018460	S.BEA MMZ1005Y102C-T	T	22.2/37.8
EP200	6910018460	S.BEA MMZ1005Y102C-T	B	22.6/22.3
EP400	6910018460	S.BEA MMZ1005Y102C-T	T	42.6/12.5
EP401	6910018460	S.BEA MMZ1005Y102C-T	T	43/13.4
EP450	6910018460	S.BEA MMZ1005Y102C-T	T	50.2/13.3
EP750	6910018460	S.BEA MMZ1005Y102C-T	T	48.9/39.6
EP751	6910018460	S.BEA MMZ1005Y102C-T	T	47.1/34.3
EP752	6910018460	S.BEA MMZ1005Y102C-T	T	48.5/33.5
EP755	6910018460	S.BEA MMZ1005Y102C-T	T	38.6/35.4
EP756	6910018460	S.BEA MMZ1005Y102C-T	T	47.4/37.6
EP757	6910018460	S.BEA MMZ1005Y102C-T	T	38.6/30.7
EP758	6910018460	S.BEA MMZ1005Y102C-T	T	48.2/35.8
EP759	6910018460	S.BEA MMZ1005Y102C-T	T	38.6/27.8
EP760	6910018460	S.BEA MMZ1005Y102C-T	T	47.2/27.5
MP300	8510016470	S.CAS 2775 VCO CASE	T	29.9/9.2
MP302	8510017840	S.PLA OG-321610G	B	23/46.9

[LOGIC UNIT]

REF NO.	PARTS NO.	DESCRIPTION	M.	H/V LOCATION
IC1	1140014390	S.IC HD64F2239TF16V	B	16.9/25.4
IC2	1130013010	S.IC SN74AHC1G08DCK3	B	24.3/32.3
IC50	1130011770	S.IC CD4066BPWR	B	5.4/10.9
IC51	1140012950	S.IC 24LC512T-I/SM	B	21.6/39.7
IC52	1120003020	S.IC MAX3221PWR	B	19.3/48
IC53	1130011760	S.IC CD4094BPWR	B	41.9/23.2
IC100	1180002790	S.REG R1150H022D-T1-F	B	26.6/47.1
IC101	1110006930	S.IC XC6371A551PR	B	93.7/48.7
IC102	1190002120	S.IC XC9201D09AKR	B	94.5/18
IC103	1180002590	S.REG XC6204B332MR	B	84.2/14.1
IC104	1110006520	S.IC LMV331IDCKR	B	93.2/32.1
IC300	1110005310	S.IC AN6123MS	B	37.3/33.8
IC301	1130008511	S.IC TC7W53FU(TE12L,F)	B	41.4/39.1
IC302	1110006470	S.IC LMV3241PWR	B	51.9/34.2
IC303	1130008511	S.IC TC7W53FU(TE12L,F)	B	16.9/5.8
IC400	1110002810	S.IC NJM2070M-TE1-#ZZZB	B	32.4/3.9
IC500	1130013440	S.IC SN74LVC2G74DCTR	B	69.8/21.6
IC501	1110005430	S.IC CMX589AD5/TR	B	50.5/47.6
IC502	1130007021	S.IC TC7S66FU(TE85L,F)	B	45.3/42.3
IC503	1130011631	S.IC AD73311ARSZ	B	74.7/45.5
IC504	1110005290	S.IC NJM2115V-TE1-#ZZZB	B	61.7/45.7
IC505	1130011930	S.IC SN74LVC1G04DCKR	B	85.3/19.2
IC506	1130010920	S.IC AMBE-2020	B	78.2/31.4
IC507	1110006090	S.IC XC6202P502PR	B	61.3/11.6
IC508	1180002371	S.REG R1111N321B-TR-F	B	64/20.7
Q50	1540000660	S.TRA 2SD2216J-S	B	13.7/35.4
Q51	1540000660	S.TRA 2SD2216J-S	T	20.2/2.8
Q52	1590003290	S.TRA UNR9213J-(TX)	B	1.6/9.1
Q53	1590003250	S.TRA UNR9115J-(TX)	B	7/16.6
Q100	1590002580	S.FET HAT1024R-EL	B	97.2/32.2
Q101	1550000090	S.FET RSQ035P03TR	B	91.1/16.7
Q102	1590003230	S.TRA UNR9113J-(TX)	B	96.5/36.8
Q150	1510000671	S.TRA 2SA1588-GR(TE85R, F)	B	80.5/11.4
Q151	1520000651	S.TRA 2SB1201S-TL-E	B	89.4/6.9
Q152	1590003290	S.TRA UNR9213J-(TX)	B	78.8/6.4
Q153	1590001170	S.TRA XP1501-(TX).AB	B	83.3/4.1
Q200	1590003290	S.TRA UNR9213J-(TX)	T	37.1/12.4
Q201	1590003290	S.TRA UNR9213J-(TX)	T	39.4/14.2
Q202	1590003430	S.TRA UNR911HJ-(TX)	T	50.7/22.9
Q300	1510001100	S.TRA 2SA1832-GR(TE85R,F)	B	31.4/50.2
Q301	1590003290	S.TRA UNR9213J-(TX)	B	39.9/5.1
Q302	1590003230	S.TRA UNR9113J-(TX)	T	41.3/40.3
Q303	1590001410	S.TRA XP1215(TX)	B	32.1/46.1
Q304	1530004000	S.TRA 2SC4738-GR(TE85L,F)	B	41/43.7
Q305	1590003290	S.TRA UNR9213J-(TX)	B	44/29.3
Q306	1590001770	S.TRA XP1213(TX)	B	50.4/24
Q307	1590003250	S.TRA UNR9115J-(TX)	B	50.4/21.6
Q309	1590003290	S.TRA UNR9213J-(TX)	B	47.8/31.5
Q310	1590003250	S.TRA UNR9115J-(TX)	B	15.5/2
Q311	1530003091	S.TRA 2SC4213-B(TE85R,F)	B	19.9/1.8
Q400	1520000651	S.TRA 2SB1201S-TL-E	B	74.4/10.7
Q401	1590001170	S.TRA XP1501-(TX).AB	B	56.3/13.5
Q402	1530002841	S.TRA 2SC4116-Y(TE85R,F)	B	59.5/18.4
Q403	1560001330	S.FET RSR025N03	B	59/22.6
Q404	1560001330	S.FET RSR025N03	B	55.6/20.8
Q405	1590003290	S.TRA UNR9213J-(TX)	B	56.5/17.9
Q500	1530004000	S.TRA 2SC4738-GR(TE85L,F)	B	69.2/17.8
Q501	1590003290	S.TRA UNR9213J-(TX)	T	50.9/50.3
Q502	1590003290	S.TRA UNR9213J-(TX)	B	45.7/38.8
Q503	1590003290	S.TRA UNR9213J-(TX)	T	66.6/38.1
Q504	1510001100	S.TRA 2SA1832-GR(TE85R,F)	T	66.6/42.1
Q505	1530004000	S.TRA 2SC4738-GR(TE85L,F)	B	82.9/20.9
Q506	1510001100	S.TRA 2SA1832-GR(TE85R,F)	T	66.9/33.2
Q507	1590001170	S.TRA XP1501-(TX).AB	B	64.2/30.9
Q600	1550000160	S.FET CPH3313-TL-E	B	17/39.3
Q601	1590003290	S.TRA UNR9213J-(TX)	B	42.4/27.1
D1	1790001200	S.DIO MA6S121(TX)	T	54.1/43
D2	1790001250	S.DIO MA2S111-(TX)	T	50.8/45.3
D4	1790000850	S.DIO MA132WK(TX)	B	79.6/45.3
D13	1790001260	S.DIO MA2S077-(TX)	B	9.9/33.9
D50	1790001240	S.DIO MA2S728-(TX)	B	13.1/38.2
D51	1790001250	S.DIO MA2S111-(TX)	B	22/34.4
D52	1790001240	S.DIO MA2S728-(TX)	B	14.3/37.7
D53	1730002300	S.ZEN MA8082-M(TX)	T	25.6/3.2
D54	1790001250	S.DIO MA2S111-(TX)	T	28.5/3.2
D100	1790001250	S.DIO MA2S111-(TX)	B	28.1/42.8
D101	1750000880	S.DIO RB551V-30TE-17	B	90.3/47.9
D102	1750001630	S.DIO RB161VA-20TR	B	91.3/19.5
D103	1790001250	S.DIO MA2S111-(TX)	B	90.4/32.2
D150	1790000860	S.DIO MA133(TX)	B	85.7/6.9
D151	1790000671	S.DIO SB07-03C-TB-E	B	97.3/8.2
D200	1790001250	S.DIO MA2S111-(TX)	T	34.5/12.1
D300	1790001810	S.VAR AVR-M1005C080MTABB	B	38.1/51
D500	1790001240	S.DIO MA2S728-(TX)	B	86.3/23.3
D600	1790001250	S.DIO MA2S111-(TX)	B	14.4/40.2
D601	1790001240	S.DIO MA2S728-(TX)	B	41.8/28.7
X1	6050012730	S.XTA CR-864(SMD-49/12.288 MHz) <JJ>	B	3.8/28.4
X500	6050012300	S.XTA CR-821 DSB321SC 9.8304 MHz	B	75.2/16.1
X501	6050012290	S.XTA CR-820 DSB321SC 16.384 MHz	B	76.4/20.8

[LOGIC UNIT]

REF NO.	PARTS NO.	DESCRIPTION	M.	H/V LOCATION
L100	6190001571	S.COI CDRH5D28NP-101NC 100U	B	92.8/42.6
L101	6190001571	S.COI CDRH5D28NP-101NC 100U	B	93/25.3
L500	6200003640	S.COI MLF1608E 100K-T	B	12.6/40
R1	7030005120	S.RES ERJ2GEJ 102 X (1K)	B	7.3/27.8
R2	7030005120	S.RES ERJ2GEJ 102 X (1K)	B	7.2/23.7
R3	7030005120	S.RES ERJ2GEJ 102 X (1K)	B	7.2/22.8
R4	7030005120	S.RES ERJ2GEJ 102 X (1K)	B	7.2/21.9
R5	7030005120	S.RES ERJ2GEJ 102 X (1K)	B	7.3/20.7
R6	7030005120	S.RES ERJ2GEJ 102 X (1K)	B	6.4/19.5
R7	7030005120	S.RES ERJ2GEJ 102 X (1K)	B	6.6/18.6
R8	7030005240	S.RES ERJ2GEJ 473 X (47K)	B	23.7/20.1
R9	7030005530	S.RES ERJ2GEJ 100 X (10)	B	9.6/32.6
R10	7030005160	S.RES ERJ2GEJ 105 X (1M)	B	6.9/32.3
R11	7030008010	S.RES ERJ2GEJ 123 X (12K)	B	8.4/34.8
R12	7030005530	S.RES ERJ2GEJ 100 X (10)	B	25.3/42
R14	7030008010	S.RES ERJ2GEJ 123 X (12K)	B	7.8/32.6
R15	7030005240	S.RES ERJ2GEJ 473 X (47K)	B	8.5/18.1
R16	7030005240	S.RES ERJ2GEJ 473 X (47K)	B	11.6/33.1
R50	7030005120	S.RES ERJ2GEJ 102 X (1K)	B	12.1/35.2
R51	7030005240	S.RES ERJ2GEJ 473 X (47K)	B	11.2/35.8
R52	7030011000	S.RES RR0510P-392-D (3.9K)	B	11.9/37
R53	7030005240	S.RES ERJ2GEJ 473 X (47K)	B	17.7/44
R54	7030005050	S.RES ERJ2GEJ 103 X (10K)	B	18.6/44
R55	7030005240	S.RES ERJ2GEJ 473 X (47K)	B	9.7/18.2
R56	7030005120	S.RES ERJ2GEJ 102 X (1K)	T	18.6/32
R57	7030005240	S.RES ERJ2GEJ 473 X (47K)	T	21.7/2.7
R58	7030005050	S.RES ERJ2GEJ 103 X (10K)	T	23.5/2.7
R60	7030010010	S.RES ERJ2RKF 334 X (330K)	T	32.8/2.7
R61	7030007610	S.RES RR0510P-683-D (68K)	T	32.4/3.9
R62	7030004980	S.RES ERJ2GEJ 101 X (100)	B	12.9/46.7
R63	7030004980	S.RES ERJ2GEJ 101 X (100)	B	20.8/51.3
R64	7030005090	S.RES ERJ2GEJ 104 X (100K)	B	7.2/15.2
R65	7030005120	S.RES ERJ2GEJ 102 X (1K)	B	5/15.7
R66	7510001661	S.THR NTCG16 4LH 473JT	B	8.8/8.6
R67	7030005840	S.RES RR0510P-473-D (47K)	B	6.9/6.7
R100	7030005090	S.RES ERJ2GEJ 104 X (100K)	B	28.1/50.3
R101	7030011930	S.RES RP1005S-R56-F (0.56)	B	94.5/14.4
R102	7030011930	S.RES RP1005S-R56-F (0.56)	B	95.1/13.5
R104	7030007250	S.RES ERJ2GEJ 220 X (22)	B	91.4/38.9
R105	7030005050	S.RES ERJ2GEJ 103 X (10K)	B	91.6/21.1
R106	7030007320	S.RES ERJ2GEJ 125 X (2.2M)	B	95/36.7
R107	7030007340	S.RES ERJ2GEJ 153 X (15K)	B	91.1/14.4
R108	7030005110	S.RES ERJ2GEJ 224 X (220K)	B	98.5/37.3
R110	7030005240	S.RES ERJ2GEJ 473 X (47K)	B	80.9/13.4
R111	7030007320	S.RES ERJ2GEJ 225 X (2.2M)	B	93.9/34.9
R112	7030005160	S.RES ERJ2GEJ 105 X (1M)	B	93.7/34
R113	7030005160	S.RES ERJ2GEJ 105 X (1M)	B	91.5/32.6
R114	7030005160	S.RES ERJ2GEJ 105 X (1M)	B	92.1/34
R115	7030008270	S.RES RR0510P-104-D (100K)	B	99/26.2
R116	7030005830	S.RES RR0510P-223-D (22K)	B	98.8/25
R150	7030003210	S.RES ERJ3GEYJ 120 V (12)	B	82.9/8.9
R151	7030003210	S.RES ERJ3GEYJ 120 V (12)	B	84.1/8.9
R152	7030005280	S.RES ERJ3GEYJ 6R8V (6.8)	B	81.7/8.9
R153	7030007860	S.RES ERJ3GEYJ 8R2V (8.2)	B	80.5/8.9
R154	7030005120	S.RES ERJ2GEJ 102 X (1K)	B	79.5/8.2
R155	7030005120	S.RES ERJ2GEJ 102 X (1K)	B	83.4/6.9
R156	7030010990	S.RES RR0510P-272-D (2.7K)	B	83.2/5.9
R157	7030011000	S.RES RR0510P-392-D (3.9K)	B	80.5/4.7
R158	7030007280	S.RES ERJ2GEJ 331 X (330)	B	81/3.5
R159	7030010010	S.RES ERJ2RKF 334 X (330K)	B	99/3.8
R160	7030007610	S.RES RR0510P-683-D (68K)	B	99.3/9.6
R161	7030010990	S.RES RR0510P-272-D (2.7K)	B	81.4/4.7
R200	7030010040	S.RES ERJ2GEJ-JPW	B	37.9/29.4
R202	7030005090	S.RES ERJ2GEJ 104 X (100K)	B	35.1/30.8
R203	7030007280	S.RES ERJ2GEJ 331 X (330)	T	38.7/12.4
R204	7030007280	S.RES ERJ2GEJ 331 X (330)	T	39.6/12.4
R205	7030008370	S.RES ERJ2GEJ 561 X (560)	T	53.3/22.4
R206	7030008370	S.RES ERJ2GEJ 561 X (560)	T	53.3/23.3
R207	7030008370	S.RES ERJ2GEJ 561 X (560)	T	53.3/24.2
R208	7030005120	S.RES ERJ2GEJ 102 X (1K)	T	55.4/24.2
R209	7030008370	S.RES ERJ2GEJ 561 X (560)	T	56.4/24.2
R210	7030007280	S.RES ERJ2GEJ 331 X (330)	T	57.6/24.7
R211	7030008370	S.RES ERJ2GEJ 561 X (560)	T	51.7/21.2
R212	7030007280	S.RES ERJ2GEJ 331 X (330)	T	52.6/21.2
R213	7030004980	S.RES ERJ2GEJ 101 X (100)	T	0.69/17
R214	7030004980	S.RES ERJ2GEJ 101 X (100)	T	0.69/37.6
R300	7030005000	S.RES ERJ2GEJ 471 X (470)	B	32.5/48.8
R301	7030005050	S.RES ERJ2GEJ 103 X (10K)	B	33.9/50.3
R302	7030005120	S.RES ERJ2GEJ 102 X (1K)	B	35.1/49.8
R303	7030005110	S.RES ERJ2GEJ 224 X (220K)	B	30.3/51.7
R304	7030007290	S.RES ERJ2GEJ 222 X (2.2K)	B	10.9/39.7
R305	7030005060	S.RES ERJ2GEJ 333 X (33K)	B	38.1/51.9
R306	7030005120	S.RES ERJ2GEJ 102 X (1K)	B	36/48.5
R307	7030005040	S.RES ERJ2GEJ 472 X (4.7K)	B	34.4/47.6
R308	7030008400	S.RES ERJ2GEJ 182 X (1.8K)	B	34.4/46.7
R309	7030008400	S.RES ERJ2GEJ 182 X (1.8K)	B	34.4/45.8
R310	7030004980	S.RES ERJ2GEJ 101 X (100)	T	41.9/42.1
R311	7030007300	S.RES ERJ2GEJ 332 X (3.3K)	B	42.2/42.1
R312	7030005080	S.RES ERJ2GEJ 823 X (82K)	B	39.6/43.7
R314	7030005120	S.RES ERJ2GEJ 102 X (1K)	B	42.6/46
R315	7030010040	S.RES ERJ2GEJ-JPW	B	40.6/42.1
R316	7030005030	S.RES ERJ2GEJ 152 X (1.5K)	B	39/36
R317	7030008410	S.RES ERJ2GEJ 392 X (3.9K)	B	37.8/36.5
R318	7030007340	S.RES ERJ2GEJ 153 X (15K)	B	43/34.1
R319	7030005030	S.RES ERJ2GEJ 152 X (1.5K)	B	43.5/31.3

M.=Mounted side (T: Mounted on the Top side, B: Mounted on the Bottom side)
S.=Surface mount

[LOGIC UNIT]

Table with columns: REF NO., PARTS NO., DESCRIPTION, M., H/V LOCATION. Contains 100 rows of component data for logic units.

[LOGIC UNIT]

Table with columns: REF NO., PARTS NO., DESCRIPTION, M., H/V LOCATION. Contains 100 rows of component data for logic units.

M.=Mounted side (T: Mounted on the Top side, B: Mounted on the Bottom side)

S.=Surface mount

[LOGIC UNIT]

REF NO.	PARTS NO.	DESCRIPTION	M.	H/V LOCATION
C310	4550007730	S.TAN TEESVJ 0J 106M8R	B	41.5/46.3
C311	4030016930	S.CER ECJ0EB1A104K	B	39.2/38
C312	4030016930	S.CER ECJ0EB1A104K	B	40.6/36
C313	4030018860	S.CER ECJ0EB0J105K	B	43.5/32.9
C314	4030016930	S.CER ECJ0EB1A104K	B	21.7/3
C315	4030017770	S.CER ECJ0EB1E332K	B	21.7/3.9
C316	4030016790	S.CER ECJ0EB1C103K	B	21.2/5.4
C317	4030016930	S.CER ECJ0EB1A104K	B	36.6/36
C318	4030017460	S.CER ECJ0EB1E102K	B	48.5/22.5
C319	4030016930	S.CER ECJ0EB1A104K	B	36.6/31.6
C320	4030016790	S.CER ECJ0EB1C103K	B	39.4/34.4
C321	4550007730	S.TAN TEESVJ 0J 106M8R	B	41.4/34.1
C322	4030017460	S.CER ECJ0EB1E102K	B	52/21.6
C323	4030017460	S.CER ECJ0EB1E102K	B	51.5/20.2
C324	4030017460	S.CER ECJ0EB1E102K	B	52.4/23.3
C325	4030016950	S.CER ECJ0EB1A473K	B	42.3/35.9
C326	4030018390	S.CER ECJ0EB1A563K	B	43.6/35.4
C327	4030017920	S.CER ECJ0EB1A683K	B	50.9/26.2
C328	4030018860	S.CER ECJ0EB0J105K	B	50/26.2
C329	4030017710	S.CER ECJ0EC1H181J	B	50.4/29
C330	4030017460	S.CER ECJ0EB1E102K	B	55/31.1
C331	4550007690	S.TAN TEESVP 1C 105M8R	B	55.6/36.4
C332	4030016790	S.CER ECJ0EB1C103K	B	52.4/29.9
C333	4550007680	S.TAN TEESVP 0J 226M8R	B	52.9/28.5
C334	4030018110	S.CER ECJ0EB1E102K	B	46.9/35.3
C335	4030018140	S.CER ECJ0EB1H391K	B	50.2/38.4
C336	4550007730	S.TAN TEESVJ 0J 106M8R	B	45.2/34.1
C337	4030017920	S.CER ECJ0EB1A683K	B	47.3/33
C338	4030017040	S.CER ECJ0EB1A333K	B	46.1/31
C339	4030017460	S.CER ECJ0EB1E102K	B	47.8/29.9
C340	4030017040	S.CER ECJ0EB1A333K	B	17.2/2.4
C341	4030016960	S.CER ECJ0EB1C183K	B	50.2/41.1
C342	4030017460	S.CER ECJ0EB1E102K	B	19.3/5.8
C343	4030018860	S.CER ECJ0EB0J105K	B	54.9/38.9
C344	4030017460	S.CER ECJ0EB1E102K	B	14.7/6.4
C347	4030017460	S.CER ECJ0EB1E102K	B	39.9/33.2
C400	4030017460	S.CER ECJ0EB1E102K	B	52.2/6.8
C401	4030017460	S.CER ECJ0EB1E102K	B	51.4/14.7
C403	4030017460	S.CER ECJ0EB1E102K	B	53.5/15.8
C404	4030017460	S.CER ECJ0EB1E102K	B	54.5/11.3
C405	4030018860	S.CER ECJ0EB0J105K	B	55.4/11.3
C408	4030017460	S.CER ECJ0EB1E102K	B	58/14
C409	4030016930	S.CER ECJ0EB1A104K	B	23.3/2.1
C410	4030016780	S.CER ECJ0EB1C153K	B	26.7/2.1
C411	4030016930	S.CER ECJ0EB1A104K	B	26.3/3.3
C412	4550002960	S.TAN TEESVA 1C 155M8R	B	25.1/5.2
C413	4030016930	S.CER ECJ0EB1A104K	B	36.9/2.1
C414	4510008500	S.ELE EEE1CA101WP	B	47.2/12.7
C415	4030016950	S.CER ECJ0EB1A473K	B	37/8.2
C416	4510009020	S.ELE EEE0JA331P	B	39.2/13.4
C417	4030017460	S.CER ECJ0EB1E102K	B	38.7/18.9
C418	4030017460	S.CER ECJ0EB1E102K	B	56.6/33.4
C419	4030017460	S.CER ECJ0EB1E102K	B	57/16
C420	4510008040	S.ELE EEFC0K 330R	B	56/6.2
C421	4030018520	S.CER C1608 JB 0J 225M-T	B	54.7/16.2
C500	4030016930	S.CER ECJ0EB1A104K	B	77.6/16.3
C501	4030017460	S.CER ECJ0EB1E102K	B	72.3/16.2
C503	4030017460	S.CER ECJ0EB1E102K	B	70.6/16.5
C504	4030016930	S.CER ECJ0EB1A104K	B	69.1/16.2
C505	4030016930	S.CER ECJ0EB1A104K	B	72.4/18.1
C506	4030017460	S.CER ECJ0EB1E102K	B	70.1/24.6
C507	4030017400	S.CER ECJ0EC1H220J	B	56.3/44.7
C508	4030018860	S.CER ECJ0EB0J105K	B	56.4/46.8
C509	4030017460	S.CER ECJ0EB1E102K	T	49.3/50.4
C510	4030016930	S.CER ECJ0EB1A104K	T	47.7/50.6
C511	4030016930	S.CER ECJ0EB1A104K	B	45.1/51.1
C512	4030017030	S.CER ECJ0EB1A273K	B	45.5/44.5
C513	4030017030	S.CER ECJ0EB1A273K	B	44.6/46.1
C514	4030017460	S.CER ECJ0EB1E102K	B	45.8/37.3
C515	4030016930	S.CER ECJ0EB1A104K	B	43.6/41.8
C516	4030017760	S.CER ECJ0EB1H222K	B	50.9/42.3
C517	4030016930	S.CER ECJ0EB1A104K	B	70/41
C518	4030016930	S.CER ECJ0EB1A104K	B	81/43.4
C519	4550006930	S.TAN TEESVP 0J 225M8R	B	81.1/42
C520	4030017420	S.CER ECJ0EC1H470J	B	72.8/40.6
C521	4550007730	S.TAN TEESVJ 0J 106M8R	B	68.6/43
C522	4030016930	S.CER ECJ0EB1A104K	B	76.6/50.9
C523	4030016930	S.CER ECJ0EB1A104K	B	77.5/50.9
C524	4030016970	S.CER ECJ0EB1C223K	B	71.5/50.9
C525	4030016950	S.CER ECJ0EB1A473K	B	74.3/50.9
C526	4030016930	S.CER ECJ0EB1A104K	B	69.6/43.4
C527	4030016930	S.CER ECJ0EB1A104K	B	58.3/47.4
C528	4030018860	S.CER ECJ0EB0J105K	B	57.2/43.5
C529	4030016930	S.CER ECJ0EB1A104K	T	62.8/47
C530	4030016930	S.CER ECJ0EB1A104K	B	75.3/18.8
C531	4030016930	S.CER ECJ0EB1A104K	B	81.2/18.7
C532	4030017460	S.CER ECJ0EB1E102K	B	79.2/19.7
C534	4030017460	S.CER ECJ0EB1E102K	B	80.9/19.7
C535	4030016930	S.CER ECJ0EB1A104K	B	80.9/20.6
C536	4030016930	S.CER ECJ0EB1A104K	B	85.7/17.4
C537	4030016930	S.CER ECJ0EB1A104K	B	83.7/22.4
C538	4030016930	S.CER ECJ0EB1A104K	B	80.6/22.4
C539	4030016930	S.CER ECJ0EB1A104K	B	79/22.4
C540	4030016930	S.CER ECJ0EB1A104K	B	69.1/30.7
C541	4030016930	S.CER ECJ0EB1A104K	B	69.1/38.1
C542	4030016930	S.CER ECJ0EB1A104K	B	81.4/40.6
C543	4030016930	S.CER ECJ0EB1A104K	B	79.3/40.5

[LOGIC UNIT]

REF NO.	PARTS NO.	DESCRIPTION	M.	H/V LOCATION
C544	4030016930	S.CER ECJ0EB1A104K	B	77.2/40.5
C545	4030016930	S.CER ECJ0EB1A104K	B	86.4/39.5
C546	4030017420	S.CER ECJ0EC1H470J	B	85.5/39.5
C547	4030017460	S.CER ECJ0EB1E102K	B	64.7/28.8
C548	4550006930	S.TAN TEESVP 0J 225M8R	T	66.9/29.4
C549	4030017460	S.CER ECJ0EB1E102K	T	66.9/31.5
C550	4030017460	S.CER ECJ0EB1E102K	T	66.4/35.2
C551	4030012610	S.CER C2012 JB 1C 474K-T	B	64.8/11.1
C552	4030018860	S.CER ECJ0EB0J105K	B	62.7/14.9
C553	4030018860	S.CER ECJ0EB0J105K	B	63.6/14.9
C554	4550007680	S.TAN TEESVP 0J 226M8R	B	64.8/17.3
C555	4550006250	S.TAN TEESVA 1A 106M8R	B	64.7/25.8
C556	4030016930	S.CER ECJ0EB1A104K	B	63.1/24.9
C557	4030017460	S.CER ECJ0EB1E102K	B	21.7/15.9
C600	4030017420	S.CER ECJ0EC1H470J	B	14.1/42.6
C602	4030017460	S.CER ECJ0EB1E102K	B	36.5/52.2
C603	4030017460	S.CER ECJ0EB1E102K	B	39.8/52.5
C604	4030017460	S.CER ECJ0EB1E102K	B	40.7/29.7
C605	4030017460	S.CER ECJ0EB1E102K	B	40.9/26.9
J1	6510025370	S.CON AXK816145YG	B	84.2/47.3
J200	6510025170	S.CON IMSA-9631S-27Y-921	B	30.6/27.4
J600	6510024131	S.CON IMSA-9637S-40Y905	B	22/11.4
J601	6510026410	S.CON SM10B-SR5S-TB(LF)(SN)	B	6.8/41.6
DS1	5030003080	LCD KMC9864-A00-SPI <VKH>	T	39.1/7.1
DS201	5040002670	S.LED CL-165HR/YG	T	87.8/13.9
DS202	5040003280	S.LED RY-SP192UYG24-5M <VKH>	T	87.8/22.9
DS203	5040003280	S.LED RY-SP192UYG24-5M <VKH>	T	87.8/40.9
DS204	5040003280	S.LED RY-SP192UYG24-5M <VKH>	T	80.1/13.9
DS205	5040003280	S.LED RY-SP192UYG24-5M <VKH>	T	80.1/22.9
DS206	5040003280	S.LED RY-SP192UYG24-5M <VKH>	T	72.4/40.9
DS207	5040003280	S.LED RY-SP192UYG24-5M <VKH>	T	54.6/11.4
DS209	5040003280	S.LED RY-SP192UYG24-5M <VKH>	T	62.4/15.4
DS210	5040002961	S.LED SML-A12MT T86J	T	4.4/18.4
DS211	5040002961	S.LED SML-A12MT T86J	T	4.4/36.4
MC300	7700002850	MIC EM6022P-65B-G <HOR>		
SP1	2510001420	SPE PSC-2849PA <PRI>		
W1	7120000470	JUM ERDS2T0		
W2	8900007682	CAB OPC-741A-1(P0.5,N40,L55)<TJM>		
EP50	6910018460	S.BEA MMZ1005Y102C-T	B	23.5/45.2
EP51	6910018460	S.BEA MMZ1005Y102C-T	B	12.7/45.5
EP52	6910018460	S.BEA MMZ1005Y102C-T	B	11.3/45.8
EP53	6910018460	S.BEA MMZ1005Y102C-T	B	13.1/44.3
EP100	6910018460	S.BEA MMZ1005Y102C-T	B	98.5/46.9
EP101	6910018460	S.BEA MMZ1005Y102C-T	B	92.6/38.5
EP102	6910018460	S.BEA MMZ1005Y102C-T	B	96.7/26.2
EP500	6910018460	S.BEA MMZ1005Y102C-T	B	78.5/16.3
EP501	6910018460	S.BEA MMZ1005Y102C-T	B	72.9/21.2
EP502	6910018460	S.BEA MMZ1005Y102C-T	T	57.4/51
EP503	6910018460	S.BEA MMZ1005Y102C-T	B	43.6/40.2
EP504	6910018460	S.BEA MMZ1005Y102C-T	B	70.4/39.8
EP505	6910018460	S.BEA MMZ1005Y102C-T	B	74.4/40.6
EP506	6910018460	S.BEA MMZ1005Y102C-T	B	70/44.6
EP507	6910018460	S.BEA MMZ1005Y102C-T	T	60.6/47.5
EP508	6910018460	S.BEA MMZ1005Y102C-T	B	73.4/19.5
EP509	6910018460	S.BEA MMZ1005Y102C-T	B	64.6/22.9
EP511	6910018460	S.BEA MMZ1005Y102C-T	B	10.9/38.1
EP512	6910018460	S.BEA MMZ1005Y102C-T	B	11.8/38.2
EP514	6910018460	S.BEA MMZ1005Y102C-T	B	11.6/41.5
EP515	6910018460	S.BEA MMZ1005Y102C-T	B	12.9/42.3
EP516	6910018460	S.BEA MMZ1005Y102C-T	B	11.4/43.1
EP517	6910018460	S.BEA MMZ1005Y102C-T	B	16.3/43.2
MP24	8510017840	S.PLA OG-321610G	B	88.2/18.4
MP500	8510017840	S.PLA OG-321610G	B	88.1/48
MP501	8510017840	S.PLA OG-321610G	B	66.7/34.5
MP510	8510017840	S.PLA OG-321610G	B	66.7/14.6

M.=Mounted side (T: Mounted on the Top side, B: Mounted on the Bottom side)
S.=Surface mount

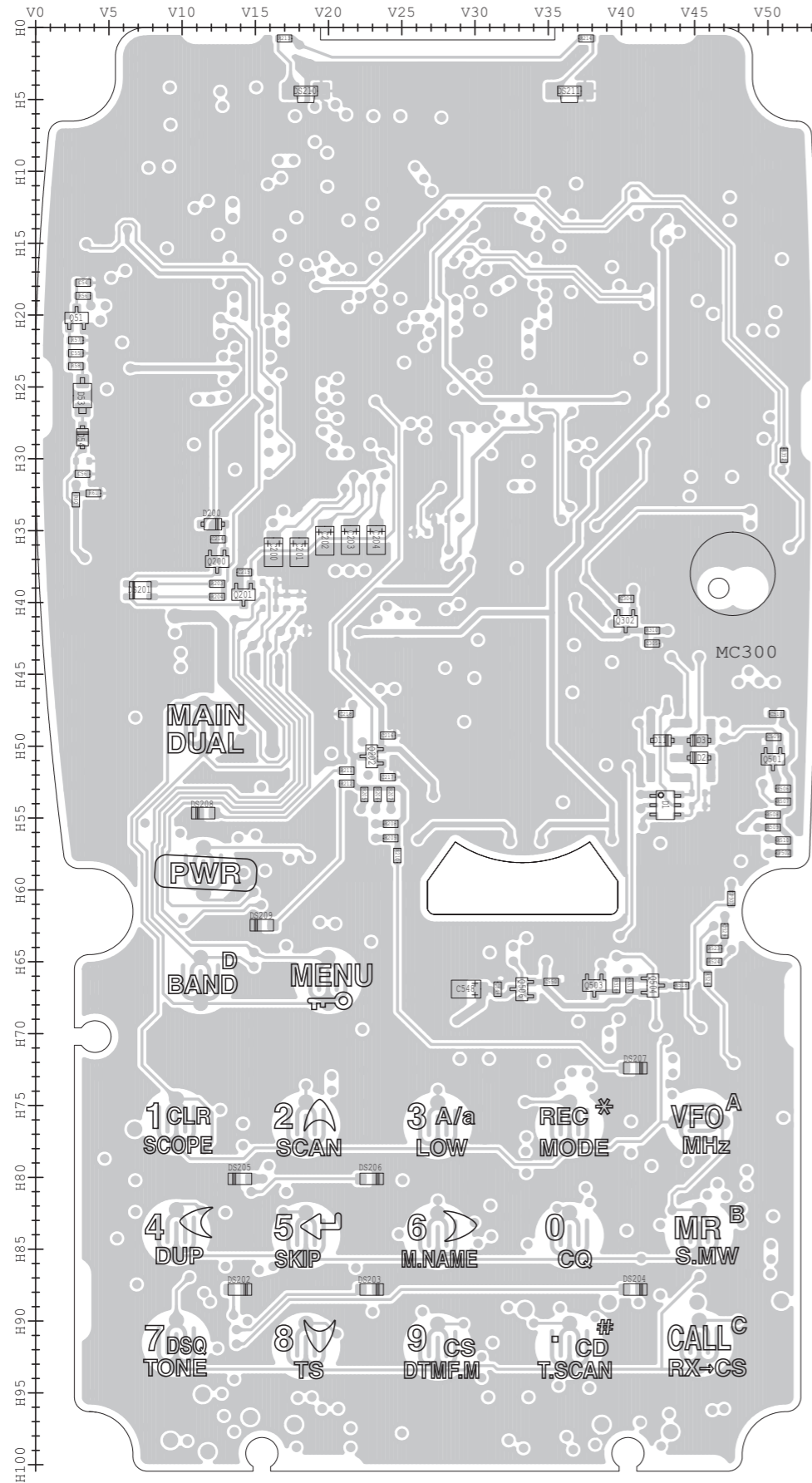
[MAIN UNIT]

REF NO.	PARTS NO.	DESCRIPTION	M.	H/V LOCATION
C544	4030016930	S.CER ECJ0EB1A104K	B	77.2/40.5
C545	4030016930	S.CER ECJ0EB1A104K	B	86.4/39.5
C546	4030017420	S.CER ECJ0EC1H470J	B	85.5/39.5
C547	4030017460	S.CER ECJ0EB1E102K	B	64.7/28.8
C548	4550006930	S.TAN TEESVP OJ 225M8R	T	66.9/29.4
C549	4030017460	S.CER ECJ0EB1E102K	T	66.9/31.5
C550	4030017460	S.CER ECJ0EB1E102K	T	66.4/35.2
C551	4030012610	S.CER C2012 JB 1C 474K-T	B	64.8/11.1
C552	4030018860	S.CER ECJ0EB0J105K	B	62.7/14.9
C553	4030018860	S.CER ECJ0EB0J105K	B	63.6/14.9
C554	4550007680	S.TAN TEESVP OJ 226M8R	B	64.8/17.3
C555	4550006250	S.TAN TEESVA 1A 106M8R	B	64.7/25.8
C556	4030016930	S.CER ECJ0EB1A104K	B	63.1/24.9
C557	4030017460	S.CER ECJ0EB1E102K	B	21.7/15.9
C600	4030017420	S.CER ECJ0EC1H470J	B	14.1/42.6
C602	4030017460	S.CER ECJ0EB1E102K	B	36.5/52.2
C603	4030017460	S.CER ECJ0EB1E102K	B	39.8/52.5
C604	4030017460	S.CER ECJ0EB1E102K	B	40.7/29.7
C605	4030017460	S.CER ECJ0EB1E102K	B	40.9/26.9
J1	6510025370	S.CON AXK816145YG	B	84.2/47.3
J200	6510025170	S.CON IMSA-9631S-27Y-921	B	30.6/27.4
J600	6510024131	S.CON IMSA-9637S-40Y905	B	22/11.4
J601	6510026410	S.CON SM10B-SRSS-TB(LF)(SN)	B	6.8/41.6
DS1	5030003080	LCD KMC9864-A00-SPI <VKH>		
DS201	5040002670	S.LED CL-165HR/YG	T	39.1/7.1
DS202	5040003280	S.LED RY-SP192UYG24-5M <VKH>	T	87.8/13.9
DS203	5040003280	S.LED RY-SP192UYG24-5M <VKH>	T	87.8/22.9
DS204	5040003280	S.LED RY-SP192UYG24-5M <VKH>	T	87.8/40.9
DS205	5040003280	S.LED RY-SP192UYG24-5M <VKH>	T	80.1/13.9
DS206	5040003280	S.LED RY-SP192UYG24-5M <VKH>	T	80.1/22.9
DS207	5040003280	S.LED RY-SP192UYG24-5M <VKH>	T	72.4/40.9
DS208	5040003280	S.LED RY-SP192UYG24-5M <VKH>	T	54.6/11.4
DS209	5040003280	S.LED RY-SP192UYG24-5M <VKH>	T	62.4/15.4
DS210	5040002961	S.LED SML-A12MT T86J	T	4.4/18.4
DS211	5040002961	S.LED SML-A12MT T86J	T	4.4/36.4
MC300	7700002850	MIC EM6022P-65B-G <HOR>		
SP1	2510001420	SPE PSC-2849PA <PRI>		
W1	7120000470	JUM ERDS2T0		
W2	8900007682	CAB OPC-741A-1(P0.5,N40,L55)<TJM>		
EP50	6910018460	S.BEA MMZ1005Y102C-T	B	23.5/45.2
EP51	6910018460	S.BEA MMZ1005Y102C-T	B	12.7/45.5
EP52	6910018460	S.BEA MMZ1005Y102C-T	B	11.3/45.8
EP53	6910018460	S.BEA MMZ1005Y102C-T	B	13.1/44.3
EP100	6910018460	S.BEA MMZ1005Y102C-T	B	98.5/46.9
EP101	6910018460	S.BEA MMZ1005Y102C-T	B	92.6/38.5
EP102	6910018460	S.BEA MMZ1005Y102C-T	B	96.7/26.2
EP500	6910018460	S.BEA MMZ1005Y102C-T	B	78.5/16.3
EP501	6910018460	S.BEA MMZ1005Y102C-T	B	72.9/21.2
EP502	6910018460	S.BEA MMZ1005Y102C-T	T	57.4/51
EP503	6910018460	S.BEA MMZ1005Y102C-T	B	43.6/40.2
EP504	6910018460	S.BEA MMZ1005Y102C-T	B	70.4/39.8
EP505	6910018460	S.BEA MMZ1005Y102C-T	B	74.4/40.6
EP506	6910018460	S.BEA MMZ1005Y102C-T	B	70/44.6
EP507	6910018460	S.BEA MMZ1005Y102C-T	T	60.6/47.5
EP508	6910018460	S.BEA MMZ1005Y102C-T	B	73.4/19.5
EP509	6910018460	S.BEA MMZ1005Y102C-T	B	64.6/22.9
EP511	6910018460	S.BEA MMZ1005Y102C-T	B	10.9/38.1
EP512	6910018460	S.BEA MMZ1005Y102C-T	B	11.8/38.2
EP514	6910018460	S.BEA MMZ1005Y102C-T	B	11.6/41.5
EP515	6910018460	S.BEA MMZ1005Y102C-T	B	12.9/42.3
EP516	6910018460	S.BEA MMZ1005Y102C-T	B	11.4/43.1
EP517	6910018460	S.BEA MMZ1005Y102C-T	B	16.3/43.2
MP24	8510017840	S.PLA OG-321610G	B	88.2/18.4
MP500	8510017840	S.PLA OG-321610G	B	88.1/48
MP501	8510017840	S.PLA OG-321610G	B	66.7/34.5
MP510	8510017840	S.PLA OG-321610G	B	66.7/14.6

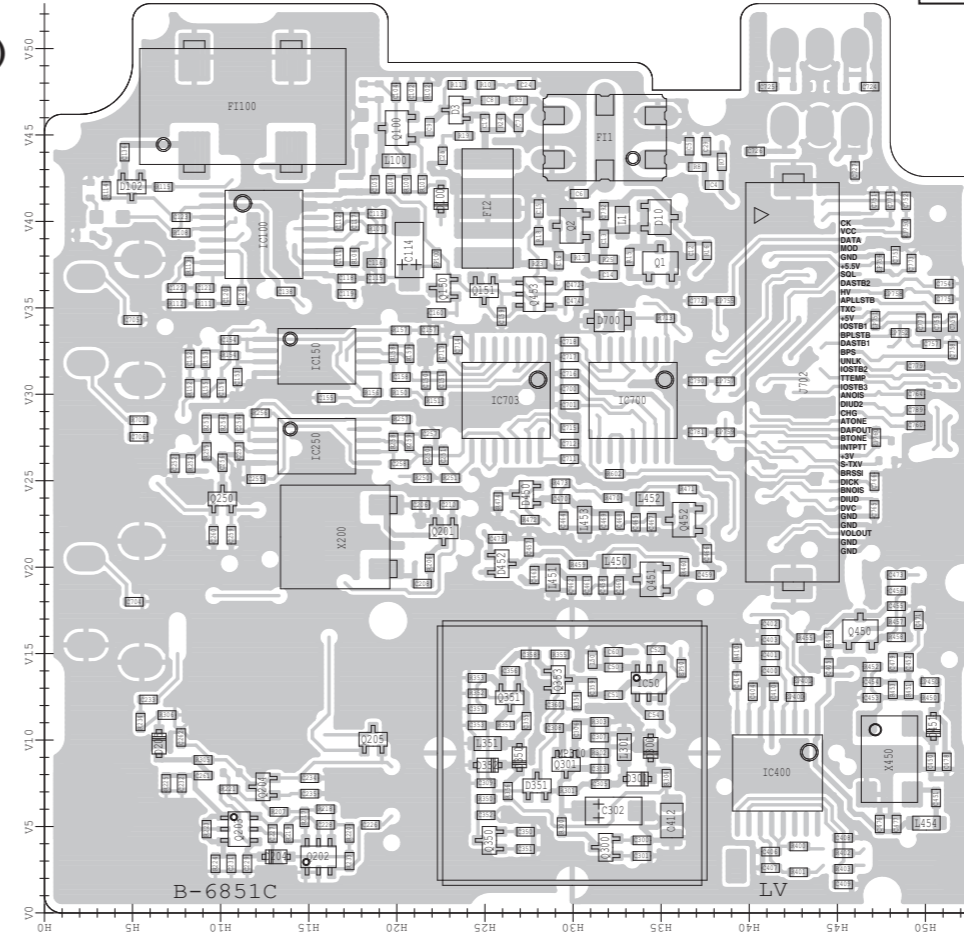
M.=Mounted side (T: Mounted on the Top side, B: Mounted on the Bottom side)
S.=Surface mount

BOARD LAYOUTS

• LOGIC UNIT
(TOP VIEW)

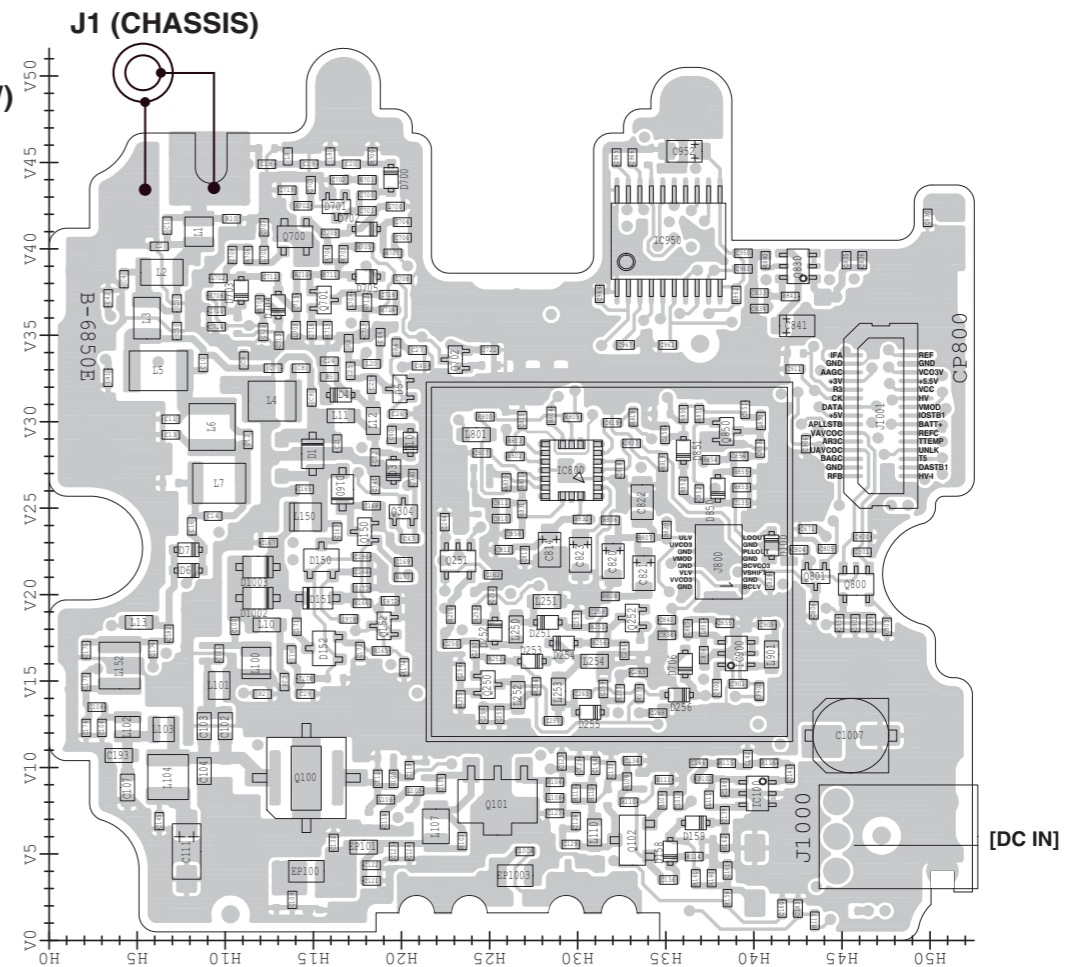


• MAIN UNIT
(TOP VIEW)

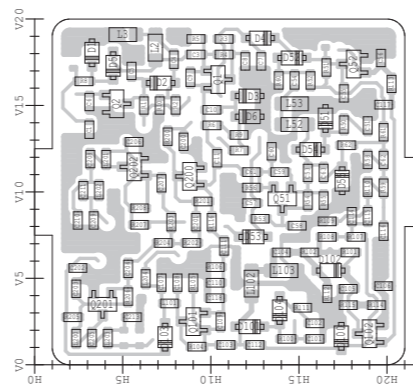


The combination of this side and the bottom side shows the board layout in the same configuration as the actual P.C.Board.

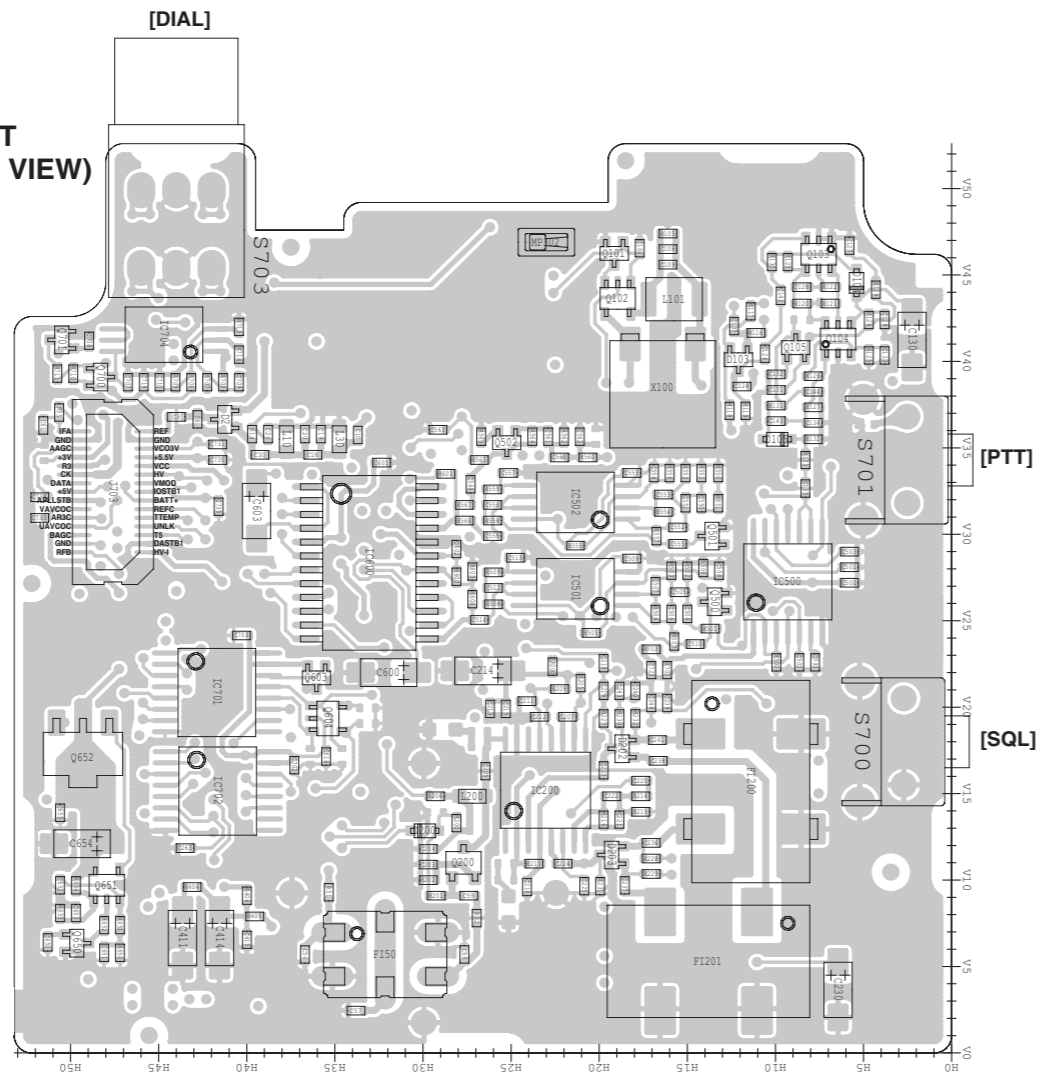
• RF UNIT
(TOP VIEW)



• VCO UNIT
(TOP VIEW)

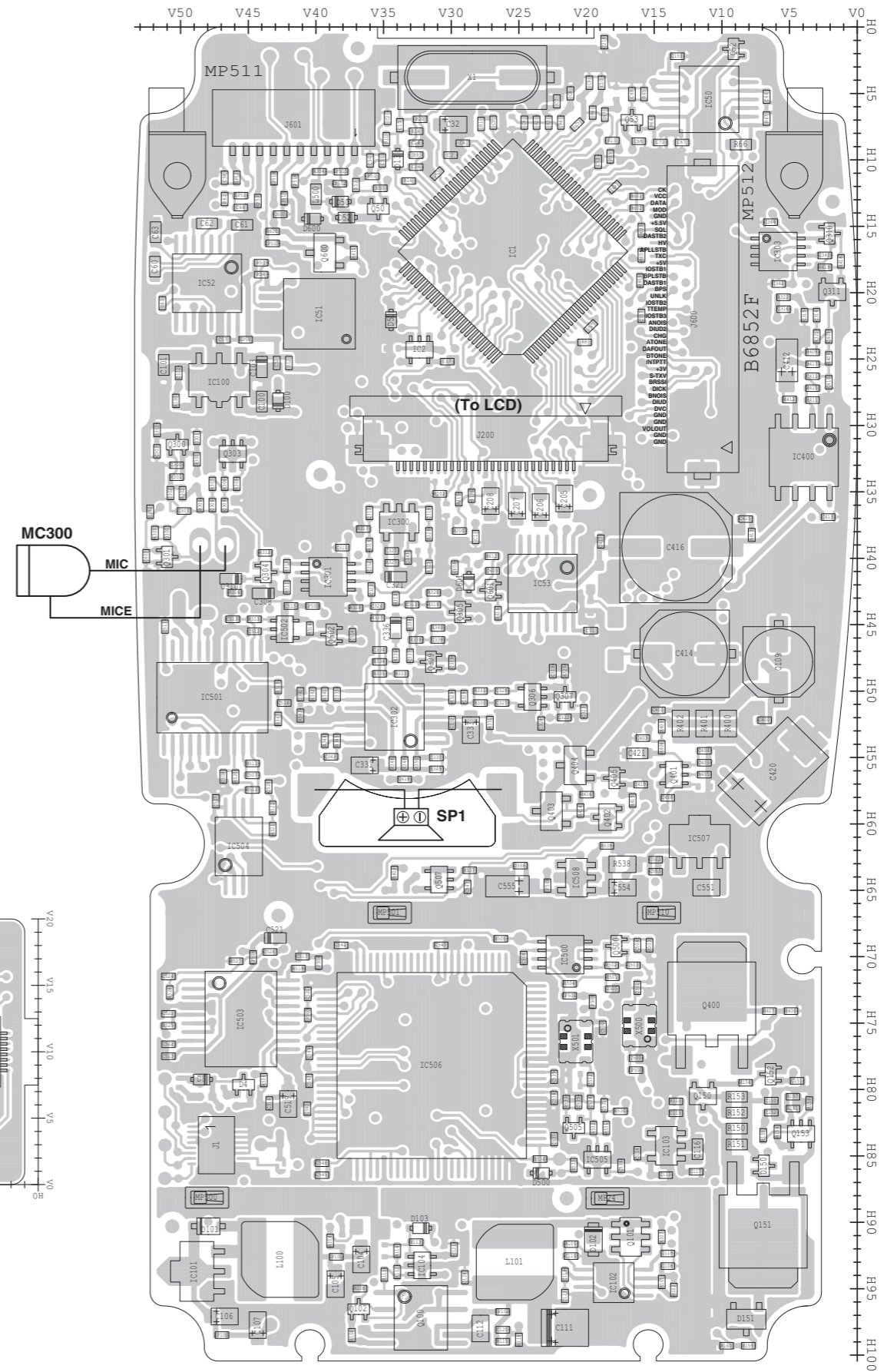


• MAIN UNIT
(BOTTOM VIEW)

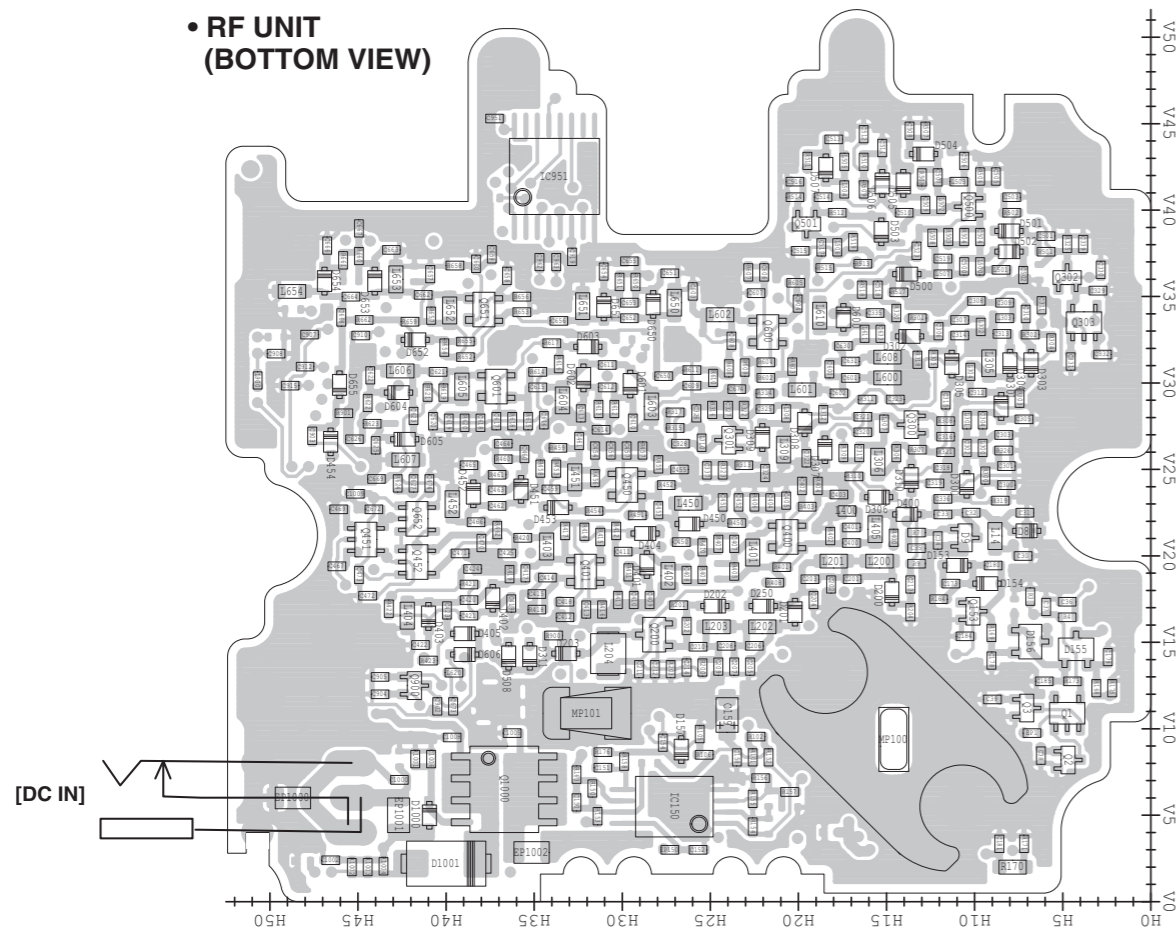


The combination of this side and the bottom side shows the board layout in the same configuration as the actual P.C.Board.

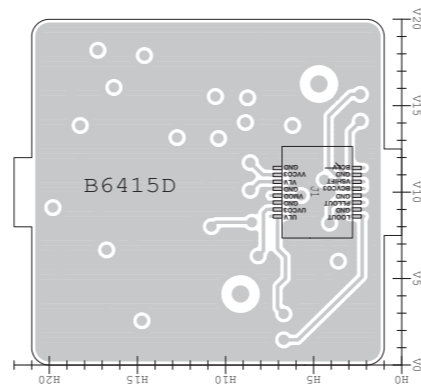
• LOGIC UNIT
(BOTTOM VIEW)



• RF UNIT
(BOTTOM VIEW)

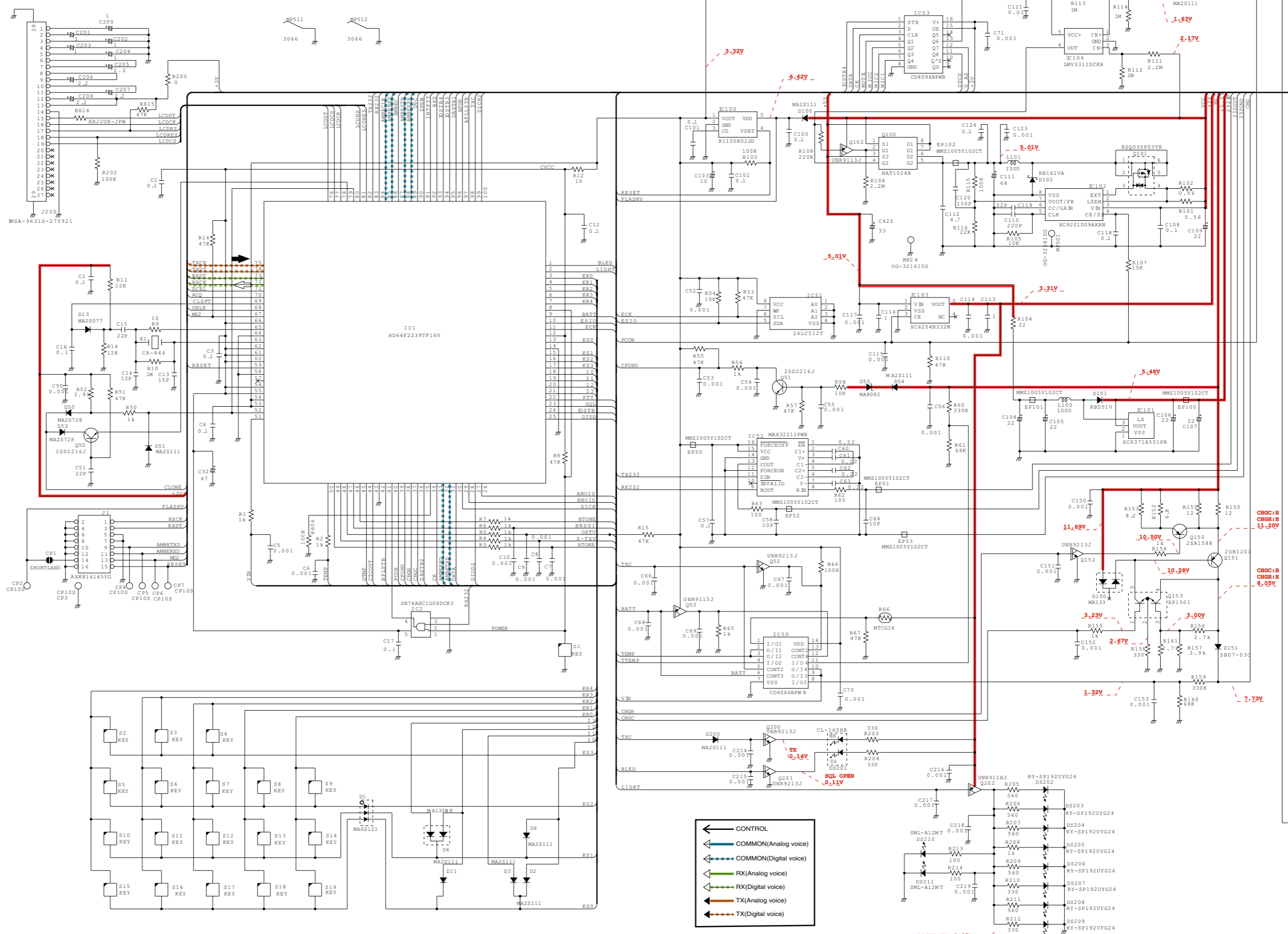


• VCO UNIT
(BOTTOM VIEW)



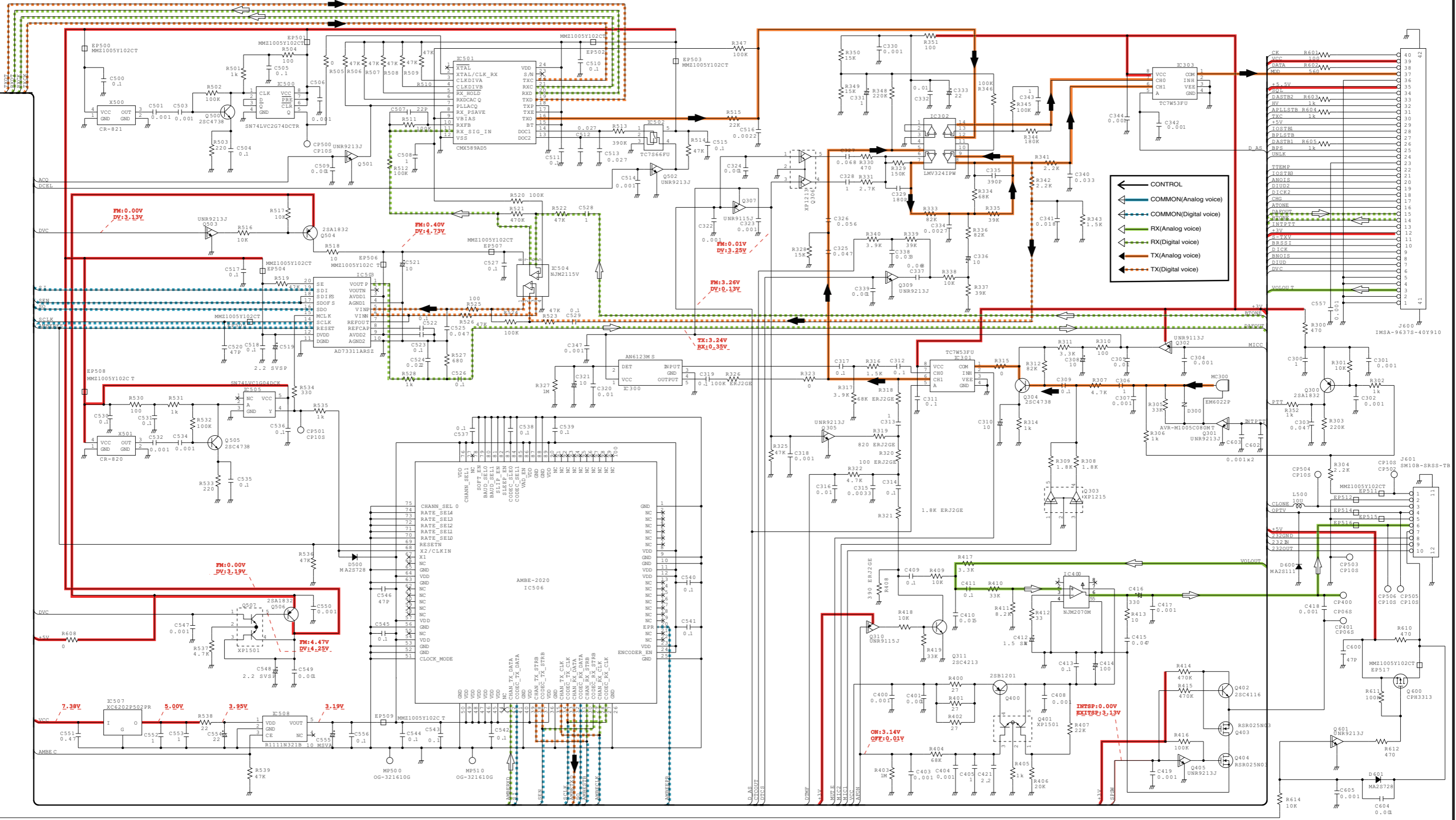
VOLTAGE DIAGRAM

LOGIC UNIT



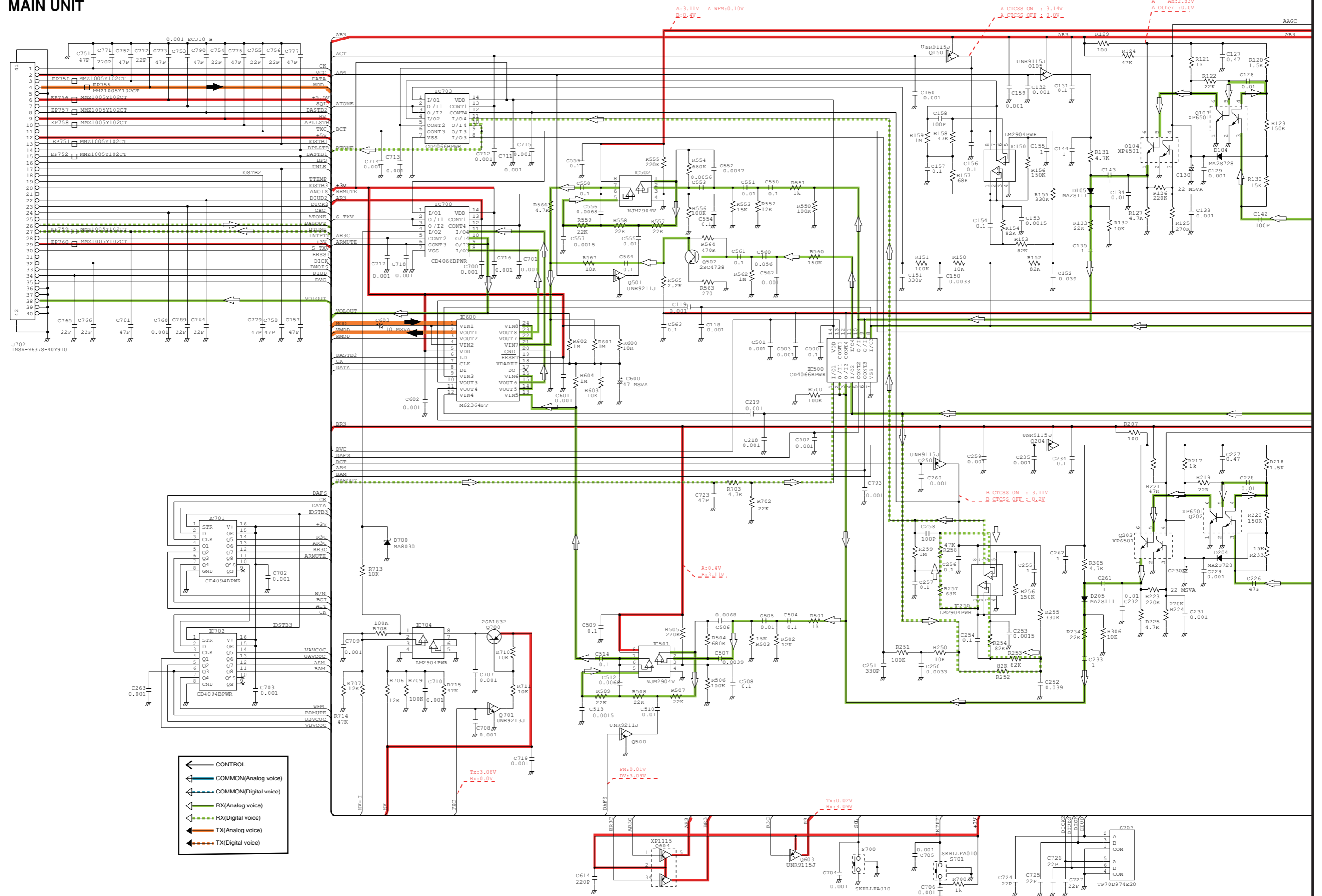
LIGHT ON : 3.07V
LIGHT OFF : 0.20V
*; Refer to "PARTS LIST."

LOGIC UNIT



*; Refer to "PARTS LIST"

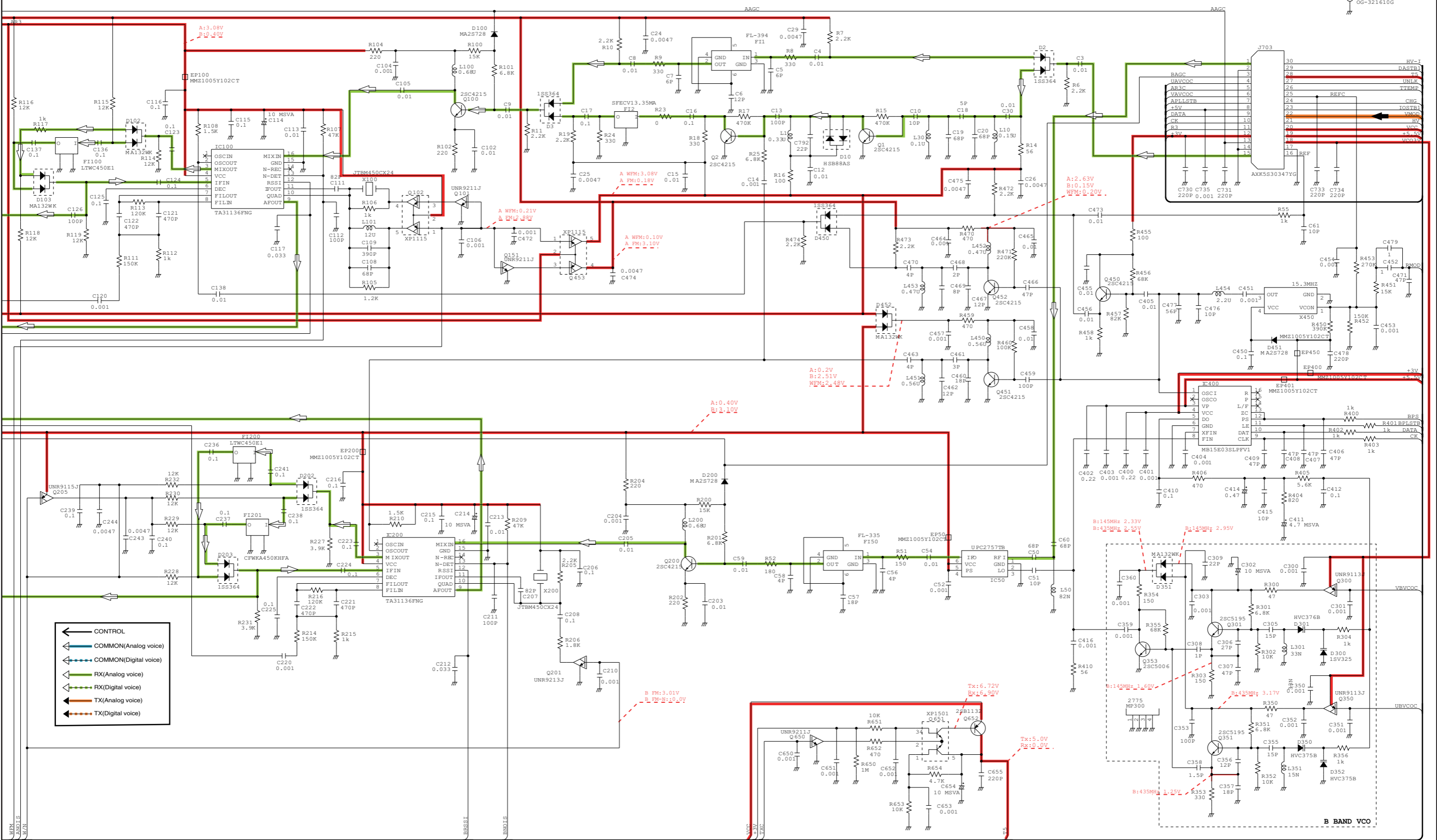
MAIN UNIT



*; Refer to "PARTS LIST."

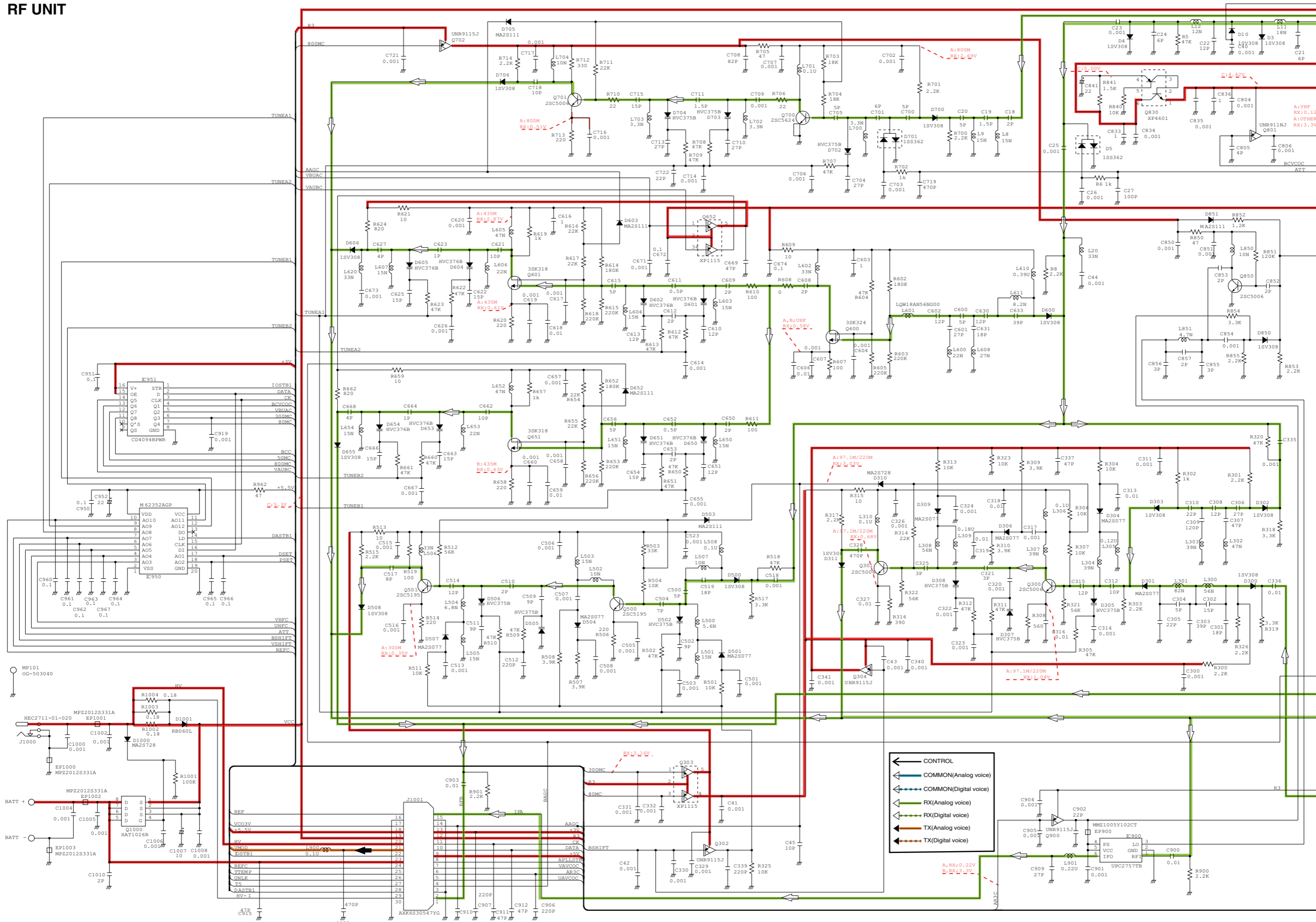
MAIN UNIT

MP302
OG-321610G

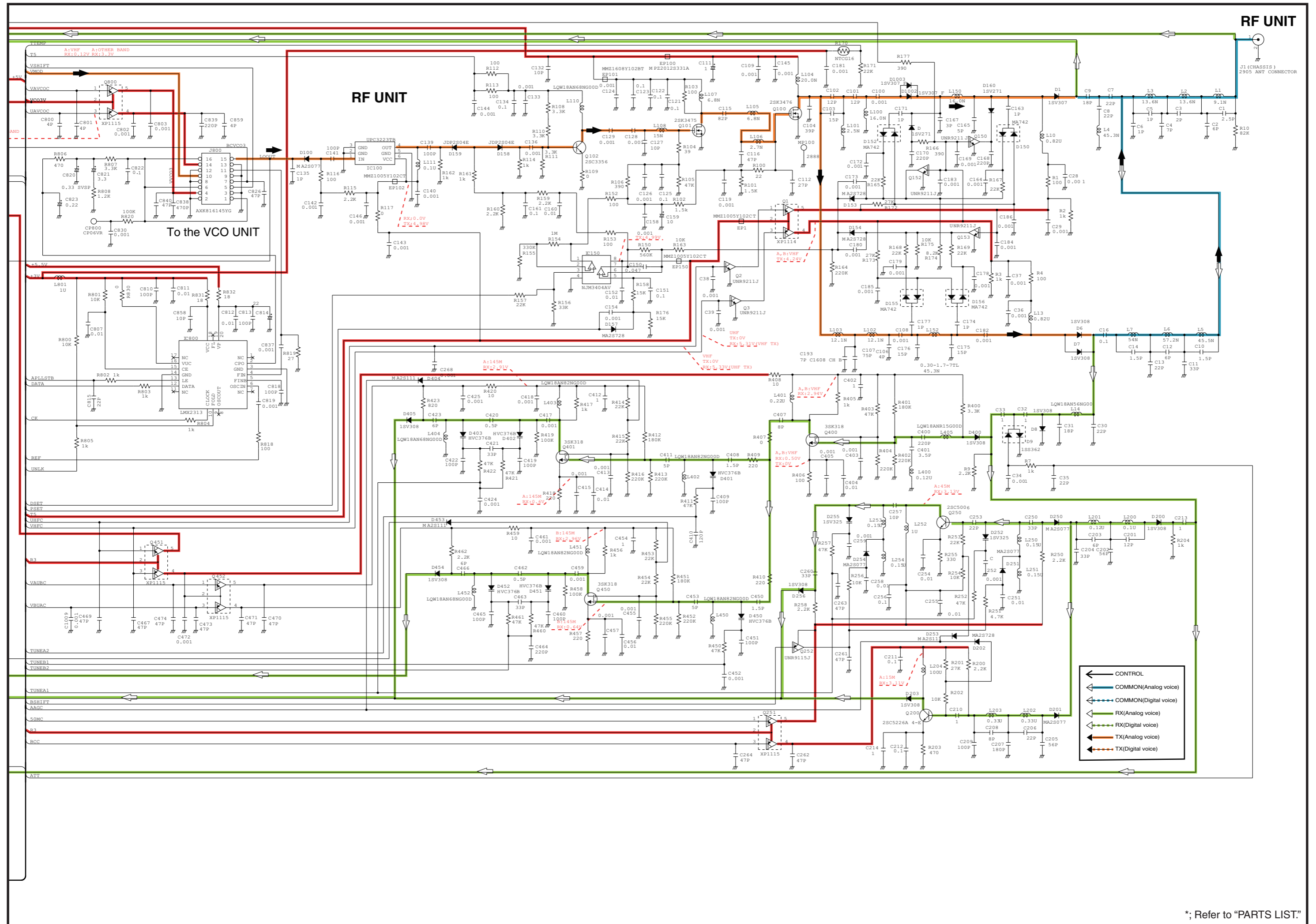


*; Refer to "PARTS LIST"

RF UNIT



*; Refer to "PARTS LIST"



*; Refer to "PARTS LIST"

Dec. 2008



SERVICE MANUAL ADDENDUM

IC-E92D

CONTENTS

PARTS LIST	1
BOARD LAYOUTS	13
VOLTAGE DIAGRAM	15

PARTS LIST

[RF UNIT]

REF NO.	PARTS NO.	DESCRIPTION	M.	H/V LOCATION
IC100	1110007060	S.IC UPC3223TB-E3	T	40.2/8.5
IC150	1110004050	S.IC NJM3404AV-TE1-#FMZB	B	27/5.5
IC800	1130013000	S.IC LMX2313USLDX/NOPB	T	29.6/27.2
IC900	1110005230	S.IC UPC275TB-E3	T	39/16.6
IC950	1130012000	S.IC M62352AGP C60Q	T	35.1/40.4
IC951	1130011760	S.IC CD4094BPWR	B	33.8/41.9
Q1	1590002010	S.TRA XP1114(TX)	B	4.7/10.9
Q2	1590003280	S.TRA UNR9211J-(TX)	B	4.7/8.2
Q3	1590003280	S.TRA UNR9211J-(TX)	B	7/11.2
Q100	1560001151	S.FET 2SK3476(TE12L,Q)	T	14.6/9.4
Q101	1560001161	S.FET 2SK3475(TE12L,F)	T	25.4/8.1
Q102	1530000371	S.TRA 2SC3356-T1B S (R25)	T	33.1/5.8
Q150	1590003280	S.TRA UNR9211J-(TX)	T	17.9/22.9
Q152	1590003280	S.TRA UNR9211J-(TX)	T	18/19.1
Q153	1590003280	S.TRA UNR9211J-(TX)	B	10.1/16.8
Q200	1530003432	S.TRA 2SC5226A-4-TL-E	B	28.2/15.4
Q250	1530003260	S.TRA 2SC5006-T1	T	24.9/14.8
Q251	1590002380	S.TRA XP1115(TX)	T	23.2/21.9
Q252	1590003250	S.TRA UNR9115J-(TX)	T	33.1/18.6
Q300	1530003260	S.TRA 2SC5006-T1	B	13.6/27.6
Q301	1530003260	S.TRA 2SC5006-T1	B	23.9/26.7
Q302	1590003250	S.TRA UNR9115J-(TX)	B	4.7/36.1
Q303	1590002380	S.TRA XP1115(TX)	B	3.8/33.5
Q304	1590003250	S.TRA UNR9115J-(TX)	T	20.1/24.8
Q400	1580000790	S.FET 3SK318YB-TL-E	B	20.6/21.1
Q401	1580000790	S.FET 3SK318YB-TL-E	B	32.1/19.1
Q450	1580000790	S.FET 3SK318YB-TL-E	B	29.7/24.1
Q451	1590002380	S.TRA XP1115(TX)	B	44.5/20.9
Q452	1590002380	S.TRA XP1115(TX)	B	41.6/19.6
Q500	1530003560	S.TRA 2SC5195-T1	B	10.3/40.2
Q501	1530003560	S.TRA 2SC5195-T1	B	19.5/39.2
Q600	1580000800	S.FET 3SK324UG-TL-E	B	21.7/32.9
Q601	1580000790	S.FET 3SK318YB-TL-E	B	37.1/29.8
Q651	1580000790	S.FET 3SK318YB-TL-E	B	37.8/34.2
Q652	1590002380	S.TRA XP1115(TX)	B	41.6/22.1
Q700	1530003781	S.TRA 2SC5624VH-TL-E	T	13.9/40.7
Q701	1530003260	S.TRA 2SC5006-T1	T	15.6/37
Q702	1590003250	S.TRA UNR9115J-(TX)	T	23/33.6
Q800	1590002380	S.TRA XP1115(TX)	T	45.8/20.6
Q801	1590003260	S.TRA UNR911NJ-(TX)	T	43.5/21
Q830	1590001650	S.TRA XP4601(TX)	T	42.5/39
Q850	1530003260	S.TRA 2SC5006-T1	T	38.4/29.4
Q900	1590003250	S.TRA UNR9115J-(TX)	B	41.8/12.5
Q1000	1590003720	S.FET HAT1026R-EL-E	B	36.7/6.5
D1	1750000581	S.DIO 1SV307(TPH3,F)	T	13.7/28.1
D3	1790001621	S.DIO 1SV308(TPL3,F)	T	19.5/27.2
D4	1790001621	S.DIO 1SV308(TPL3,F)	T	16.5/31.5
D5	1790001161	S.DIO 1SS362(TE85R,F)	T	19.9/31.9
D6	1790001621	S.DIO 1SV308(TPL3,F)	T	7.9/21.4
D7	1790001621	S.DIO 1SV308(TPL3,F)	T	7.9/22.6
D8	1790001621	S.DIO 1SV308(TPL3,F)	B	7/21.4
D9	1790001161	S.DIO 1SS362(TE85R,F)	B	10.5/21
D10	1790001621	S.DIO 1SV308(TPL3,F)	T	20.5/28.8
D100	1790001260	S.DIO MA2S077-(TX)	T	41/22.8
D150	1790000980	S.DIO MA742(TX)	T	14.7/21.1
D151	1750000531	S.DIO 1SV271(TPH3,F)	T	14.2/18.9
D152	1790000980	S.DIO MA742(TX)	T	14.2/16.4
D153	1790001240	S.DIO MA2S728-(TX)	B	11/19.4
D154	1790001240	S.DIO MA2S728-(TX)	B	9.3/18.4
D155	1790000980	S.DIO MA742(TX)	B	4.2/14.6
D156	1790000980	S.DIO MA742(TX)	B	6.8/15
D157	1790001240	S.DIO MA2S728-(TX)	B	26.6/8.8
D158	1750001620	S.DIO JDP2S04E(TPH3)	T	35.2/5.1
D159	1750001620	S.DIO JDP2S04E(TPH3)	T	36.7/6.8
D160	1750000531	S.DIO 1SV271(TPH3,F)	T	15.6/24.4
D200	1790001621	S.DIO 1SV308(TPL3,F)	B	14.7/17.9
D201	1790001260	S.DIO MA2S077-(TX)	B	20.2/16.7
D202	1790001240	S.DIO MA2S728-(TX)	B	24.7/17.1
D203	1790001621	S.DIO 1SV308(TPL3,F)	B	33.2/14.3
D250	1790001260	S.DIO MA2S077-(TX)	B	22/17.1
D251	1790001260	S.DIO MA2S077-(TX)	T	28.3/18.4
D252	1750001270	S.VAR 1SV325(TPH3,F)	T	25.3/17.9
D253	1790001250	S.DIO MA2S111-(TX)	T	27.4/16.1
D254	1790001260	S.DIO MA2S077-(TX)	T	29.2/17.2
D255	1750001270	S.VAR 1SV325(TPH3,F)	T	30.7/13.2
D256	1790001621	S.DIO 1SV308(TPL3,F)	T	35.7/14.2
D300	1790001621	S.DIO 1SV308(TPL3,F)	B	10.4/24.1
D301	1790001260	S.DIO MA2S077-(TX)	B	8.5/28.6
D302	1790001621	S.DIO 1SV308(TPL3,F)	B	13.7/32.7
D303	1790001621	S.DIO 1SV308(TPL3,F)	B	6.8/31.1
D304	1790001260	S.DIO MA2S077-(TX)	B	8/31.1
D305	1750000721	S.VAR HVC375BTRF-E	B	11.3/31.1
D306	1790001260	S.DIO MA2S077-(TX)	B	15.4/23.4
D307	1750000721	S.VAR HVC375BTRF-E	B	18.5/26.1
D308	1750000721	S.VAR HVC375BTRF-E	B	19.6/27.7
D309	1790001260	S.DIO MA2S077-(TX)	B	22/26.8
D310	1790001240	S.DIO MA2S728-(TX)	B	13.6/24.5

[RF UNIT]

REF NO.	PARTS NO.	DESCRIPTION	M.	H/V LOCATION
D311	1790001621	S.DIO 1SV308(TPL3,F)	B	35.2/14.2
D400	1790001621	S.DIO 1SV308(TPL3,F)	B	13.8/22.4
D401	1750000771	S.VAR HVC376BTRF-E	B	28.6/19.5
D402	1750000771	S.VAR HVC376BTRF-E	B	37.3/17.5
D403	1750000771	S.VAR HVC376BTRF-E	B	41/16.5
D404	1790001250	S.DIO MA2S111-(TX)	B	28.7/21.3
D405	1790001621	S.DIO 1SV308(TPL3,F)	B	38.9/15.5
D450	1750000771	S.VAR HVC376BTRF-E	B	26.2/21.8
D451	1750000771	S.VAR HVC376BTRF-E	B	35.7/23.8
D452	1750000771	S.VAR HVC376BTRF-E	B	38.4/23.6
D453	1790001250	S.DIO MA2S111-(TX)	B	33.6/22.8
D454	1790001621	S.DIO 1SV308(TPL3,F)	B	46.5/26.6
D500	1790001621	S.DIO 1SV308(TPL3,F)	B	13.8/36.3
D501	1790001260	S.DIO MA2S077-(TX)	B	8/38.8
D502	1750000721	S.VAR HVC375BTRF-E	B	8/37.6
D503	1790001250	S.DIO MA2S111-(TX)	B	15.3/38.7
D504	1790001260	S.DIO MA2S077-(TX)	B	12.9/43.2
D505	1750000721	S.VAR HVC375BTRF-E	B	14/41.5
D506	1750000721	S.VAR HVC375BTRF-E	B	15.2/41.5
D507	1790001260	S.DIO MA2S077-(TX)	B	18.4/42.4
D508	1790001621	S.DIO 1SV308(TPL3,F)	B	36.4/14.2
D600	1790001621	S.DIO 1SV308(TPL3,F)	B	17.4/33.8
D601	1750000771	S.VAR HVC376BTRF-E	B	29.5/29.9
D602	1750000771	S.VAR HVC376BTRF-E	B	32.2/30.3
D603	1790001250	S.DIO MA2S111-(TX)	B	31.9/32.1
D604	1750000771	S.VAR HVC376BTRF-E	B	42.7/29.4
D605	1750000771	S.VAR HVC376BTRF-E	B	42.3/26.7
D606	1790001621	S.DIO 1SV308(TPL3,F)	B	38.9/14.3
D650	1750000771	S.VAR HVC376BTRF-E	B	28.2/34.5
D651	1750000771	S.VAR HVC376BTRF-E	B	31/34.4
D652	1790001250	S.DIO MA2S111-(TX)	B	41.7/32.5
D653	1750000771	S.VAR HVC376BTRF-E	B	44/35.9
D654	1750000771	S.VAR HVC376BTRF-E	B	46.9/35.9
D655	1790001621	S.DIO 1SV308(TPL3,F)	B	46/29.9
D700	1790001621	S.DIO 1SV308(TPL3,F)	T	19.4/44.1
D701	1790001161	S.DIO 1SS362(TE85R,F)	T	16.3/42.4
D702	1750000721	S.VAR HVC375BTRF-E	T	18/41.1
D703	1750000721	S.VAR HVC375BTRF-E	T	10.9/37.6
D704	1750000721	S.VAR HVC375BTRF-E	T	13/36.7
D705	1790001250	S.DIO MA2S111-(TX)	T	18/38.4
D706	1790001621	S.DIO 1SV308(TPL3,F)	T	36.1/16
D850	1790001621	S.DIO 1SV308(TPL3,F)	T	37.9/26.1
D851	1790001250	S.DIO MA2S111-(TX)	T	36/28.3
D1000	1790001240	S.DIO MA2S728-(TX)	B	40.9/5
D1001	1750000540	S.DIO RB060L-40 TE-25	B	40/2.2
L1	6200012660	S.COI 0.30-1.0-4TR 9.1N <COMO>	T	8.5/41
L2	6200012490	S.COI 0.30-0.9-6TR 13.6N <COMO>	T	6.4/38.6
L3	6200012490	S.COI 0.30-0.9-6TR 13.6N <COMO>	T	5.5/36
L4	6200012470	S.COI 0.30-1.7-7TL 45.3N <COMO>	T	12.6/31.2
L5	6200012910	S.COI 0.35-1.6-8TL 45.5N <COMO>	T	6.2/32.9
L6	6200012900	S.COI 0.30-2.0-7TL 57.2N <COMO>	T	9.2/29.7
L7	6200012460	S.COI 0.30-1.7-8TL 54N <COMO>	T	9.6/26.4
L8	6200007921	S.COI ELJRF 15NJFB	T	13.5/45.3
L9	6200007921	S.COI ELJRF 15NJFB	T	15.9/45.3
L10	6200004480	S.COI MLF1608D R82K-T	T	14.5/25.9
L11	6200009070	S.COI LQW18AN18NG00D (LQW1608A18NG00)	T	16.5/30.3
L12	6200010700	S.COI LQW18AN12NG00D	T	18.4/30
L13	6200004480	S.COI MLF1608D R82K-T	T	5.1/18.4
L14	6200010910	S.COI LQW18AN56NG00D	B	8.8/21.1
L20	6200007881	S.COI ELJRF 33NJFB	T	18.3/33.3
L100	6200013090	S.COI 0.26-1.1-5TR 16N <COMO>	T	11.7/16
L101	6200012850	S.COI 0.40-0.8-2TL 2.5N <COMO>	T	9.6/14.7
L102	6200012920	S.COI 0.20-1.0-4TL 12.1N <COMO>	T	4.4/12.3
L103	6200012920	S.COI 0.20-1.0-4TL 12.1N <COMO>	T	6.5/12.2
L104	6200012800	S.COI 0.40-1.5-5TL 20N <COMO>	T	6.7/9.4
L105	6200007961	S.COI ELJRF 6N8JFB (6.8)	T	20.7/8.6
L106	6200008011	S.COI ELJRF 2N7DFB (2.7)	T	19.1/8.1
L107	6200008570	S.COI LQW2BHN6N8D03L	T	21.9/6.6
L108	6200007921	S.COI ELJRF 15NJFB	T	28.7/8.2
L110	6200011650	S.COI LQW18AN68NG00D	T	30.9/6.2
L111	6200011031	S.COI ELJRF R10JFB	T	37.4/8.1
L150	6200012920	S.COI 0.20-1.0-4TL 12.1N <COMO>	T	12.1/21.2
L152	6200012470	S.COI 0.30-1.7-7TL 45.3N <COMO>	T	4/15.9
L153	6200012920	S.COI 0.20-1.0-4TL 12.1N <COMO>	T	10.7/19.2
L200	6200006981	S.COI ELJRE R10GFA	B	15.4/19.7
L201	6200009571	S.COI ELJRE R12GFA	B	18/19.7
L202	6200005140	S.COI MLF1608D R33K-T	B	22/15.9
L203	6200005140	S.COI MLF1608D R33K-T	B	24.6/15.9
L204	6200002041	S.COI NLV25T-101J	B	30.8/14.3
L250	6200004600	S.COI MLF1608D R15K-T	T	26.5/18
L251	6200004600	S.COI MLF1608D R15K-T	T	28.2/19.6
L252	6200003960	S.COI MLF1608A 1R0K-T	T	26.6/14.2
L253	6200004600	S.COI MLF1608D R15K-T	T	28.9/14.4
L254	6200004600	S.COI MLF1608D R15K-T	T	30.9/16.1
L300	6200011001	S.COI ELJRF 56NJFB	B	9.5/26.2
L301	6200011021	S.COI ELJRF 82NJFB	B	10.4/27.8
L302	6200010991	S.COI ELJRF 47NJFB	B	9.6/33.2
L303	6200007871	S.COI ELJRF 39NJFB	B	8.3/33.7

M.=Mounted side (T: Mounted on the Top side, B: Mounted on the Bottom side)
S.=Surface mount

[RF UNIT]

REF NO.	PARTS NO.	DESCRIPTION	M.	H/V LOCATION
L304	6200007871	S.COI ELJRF 39NJFB	B	10.2/30.6
L305	6200009571	S.COI ELJRE R12GFA	B	9.2/31.1
L306	6200006981	S.COI ELJRE R10GFA	B	15.5/25.4
L307	6200007871	S.COI ELJRF 39NJFB	B	15.1/27.6
L308	6200011001	S.COI ELJRF 56NJFB	B	20.7/28.2
L309	6200009101	S.COI ELJRE R18GFA	B	20.8/26.1
L310	6200011031	S.COI ELJRF R10JFB	B	25.5/26.5
L400	6200013400	S.COI LQW15ANR12J00D	B	17.2/22.6
L401	6200009250	S.COI LQW18ANR22G00D (LQW1608AR22G00)	B	22.6/20.2
L402	6200011670	S.COI LQW18AN82NG00D	B	27.4/18.8
L403	6200011670	S.COI LQW18AN82NG00D	B	34.3/20.5
L404	6200011650	S.COI LQW18AN68NG00D	B	42.2/16.5
L405	6200011660	S.COI LQW18ANR15G00D	B	15.6/21.5
L450	6200011670	S.COI LQW18AN82NG00D	B	26.2/23
L451	6200011670	S.COI LQW18AN82NG00D	B	32.7/24.5
L452	6200011650	S.COI LQW18AN68NG00D	B	39.6/23
L500	6200007971	S.COI ELJRF 5N6DFB	B	9.7/36.7
L501	6200007921	S.COI ELJRF 15NJFB	B	8.5/36.5
L502	6200007941	S.COI ELJRF 10NJFB	B	11.9/40.3
L503	6200007921	S.COI ELJRF 15NJFB	B	10.9/41.6
L504	6200007961	S.COI ELJRF 6N8JFB (6.8)	B	17.4/41.2
L505	6200007921	S.COI ELJRF 15NJFB	B	17.4/42.8
L506	6200007881	S.COI ELJRF 33NJFB	B	17.8/37.8
L507	6200007941	S.COI ELJRF 10NJFB	B	11.8/36.3
L508	6200011031	S.COI ELJRF R10JFB	B	12.4/38.4
L600	6200010850	S.COI LQW18AN22NG00D (LQW1608A22NG00)	B	14.9/30.3
L601	6200010910	S.COI LQW18AN56NG00D	B	19.8/29.6
L602	6200011580	S.COI LQW18AN33NG00D	B	24.4/33.9
L603	6200009220	S.COI LQW18AN15NG00D (LQW1608A15NG00)	B	28.3/28.6
L604	6200009220	S.COI LQW18AN15NG00D (LQW1608A15NG00)	B	33.4/29
L605	6200009290	S.COI LQW18AN47NG00D (LQW1608A47NG00)	B	39.1/29.8
L606	6200010850	S.COI LQW18AN22NG00D (LQW1608A22NG00)	B	42.6/30.7
L607	6200009220	S.COI LQW18AN15NG00D (LQW1608A15NG00)	B	42.3/25.5
L608	6200009280	S.COI LQW18AN27NG00D (LQW1608A27NG00)	B	14.9/31.5
L610	6200005180	S.COI MLF1608D R39K-T	B	18.8/33.9
L611	6200007951	S.COI ELJRF 8N2JFB (8.2)	B	16.2/32.8
L620	6200007881	S.COI ELJRF 33NJFB	B	39.5/13.2
L650	6200009220	S.COI LQW18AN15NG00D (LQW1608A15NG00)	B	27/34.6
L651	6200009220	S.COI LQW18AN15NG00D (LQW1608A15NG00)	B	32.2/34.4
L652	6200009290	S.COI LQW18AN47NG00D (LQW1608A47NG00)	B	39.8/34.2
L653	6200010850	S.COI LQW18AN22NG00D (LQW1608A22NG00)	B	42.8/36
L654	6200009220	S.COI LQW18AN15NG00D (LQW1608A15NG00)	B	48.7/35.3
L700	6200008001	S.COI ELJRF 3N3DFB (3.3)	T	19.6/42.4
L701	6200011031	S.COI ELJRF R10JFB	T	12.2/39.6
L702	6200008001	S.COI ELJRF 3N3DFB (3.3)	T	9.6/38.3
L703	6200008001	S.COI ELJRF 3N3DFB (3.3)	T	14.35/33
L704	6200007941	S.COI ELJRF 10NJFB	T	17.1/37
L801	6200003960	S.COI MLF1608A 1R0K-T	T	24.2/29.2
L850	6200007941	S.COI ELJRF 10NJFB	T	40.4/30
L851	6200007981	S.COI ELJRF 4N7DFB (4.7)	T	37.1/18.1
L900	6200011031	S.COI ELJRF R10JFB	T	50.7/30.1
L901	6200009351	S.COI ELJRE R22GFA	T	41/16.5
R1	7030004980	S.RES ERJ2GEJ 101 X (100)	T	16.6/25.8
R2	7030005120	S.RES ERJ2GEJ 102 X (1K)	T	12.1/14.2
R3	7030005120	S.RES ERJ2GEJ 102 X (1K)	B	6.8/17.6
R4	7030004980	S.RES ERJ2GEJ 101 X (100)	B	4.7/16.4
R5	7030005240	S.RES ERJ2GEJ 473 X (47K)	T	15.9/32.6
R6	7030005120	S.RES ERJ2GEJ 102 X (1K)	T	19.7/34.3
R7	7030005120	S.RES ERJ2GEJ 102 X (1K)	B	13.3/21.3
R8	7030007290	S.RES ERJ2GEJ 222 X (2.2K)	T	17/34.5
R9	7030007290	S.RES ERJ2GEJ 222 X (2.2K)	B	13.3/19.5
R10	7030005080	S.RES ERJ2GEJ 823 X (82K)	T	10.3/41.7
R100	7030007250	S.RES ERJ2GEJ 220 X (22)	T	19.5/9.3
R101	7030005030	S.RES ERJ2GEJ 152 X (1.5K)	B	22.6/8.3
R102	7030005030	S.RES ERJ2GEJ 152 X (1.5K)	B	22.4/9.5
R103	7030004980	S.RES ERJ2GEJ 101 X (100)	T	23.4/5.7
R104	7030009200	S.RES ERJ2GEJ 390 X (39)	T	28.7/9.1
R105	7030005240	S.RES ERJ2GEJ 473 X (47K)	B	25.6/9.7
R106	7030009280	S.RES ERJ2GEJ 391 X	B	25.3/8.5
R108	7030007300	S.RES ERJ2GEJ 332 X (3.3K)	T	32.8/9.2
R109	7030010040	S.RES ERJ2GEJ-JPW	T	34.8/8.1
R110	7030007300	S.RES ERJ2GEJ 332 X (3.3K)	T	32.9/8
R111	7030007300	S.RES ERJ2GEJ 332 X (3.3K)	T	34.9/9.3
R112	7030004980	S.RES ERJ2GEJ 101 X (100)	T	30.8/8.5
R113	7030004980	S.RES ERJ2GEJ 101 X (100)	T	29.9/8.5
R114	7030005120	S.RES ERJ2GEJ 102 X (1K)	T	36.6/4.8
R115	7030007290	S.RES ERJ2GEJ 222 X (2.2K)	T	38.4/10.2
R116	7030004980	S.RES ERJ2GEJ 101 X (100)	T	40.4/10.2
R117	7030010040	S.RES ERJ2GEJ-JPW	T	43.4/1.1
R150	7030008310	S.RES ERJ2GEJ 564 X (560K)	B	31.7/6.5
R152	7030004980	S.RES ERJ2GEJ 101 X (100)	B	21.7/8.3
R153	7030004980	S.RES ERJ2GEJ 101 X (100)	B	31.4/4.9

[RF UNIT]

REF NO.	PARTS NO.	DESCRIPTION	M.	H/V LOCATION
R154	7030005160	S.RES ERJ2GEJ 105 X (1M)	B	22.6/4.3
R155	7030005230	S.RES ERJ2GEJ 334 X (330K)	B	22.6/5.9
R156	7030005060	S.RES ERJ2GEJ 333 X (33K)	B	22.1/7.1
R157	7030005220	S.RES ERJ2GEJ 223 X (22K)	B	20.5/6.3
R158	7030007340	S.RES ERJ2GEJ 153 X (15K)	B	29.9/8.1
R159	7030007290	S.RES ERJ2GEJ 222 X (2.2K)	T	38.5/2.4
R160	7030007290	S.RES ERJ2GEJ 222 X (2.2K)	T	37.6/3.6
R161	7030005120	S.RES ERJ2GEJ 102 X (1K)	T	36.7/3.6
R162	7030005120	S.RES ERJ2GEJ 102 X (1K)	T	38.3/5.6
R163	7030005050	S.RES ERJ2GEJ 103 X (10K)	B	32.6/7.3
R164	7030005110	S.RES ERJ2GEJ 224 X (220K)	B	12/17.5
R165	7030005220	S.RES ERJ2GEJ 223 X (22K)	T	16.1/18
R166	7030009280	S.RES ERJ2GEJ 391 X	T	18.3/17.7
R167	7030005220	S.RES ERJ2GEJ 223 X (22K)	T	16.4/20.3
R168	7030005220	S.RES ERJ2GEJ 223 X (22K)	B	3.1/12.3
R169	7030005220	S.RES ERJ2GEJ 223 X (22K)	B	9/15.5
R170	7510001661	S.THR NTCG16 4LH 473JT	B	7.8/2
R171	7030005220	S.RES ERJ2GEJ 223 X (22K)	B	7.2/3.3
R172	7030005600	S.RES ERJ2GEJ 273 X (27K)	T	16.4/21.9
R173	7030005600	S.RES ERJ2GEJ 273 X (27K)	B	4.4/12.7
R174	7030005210	S.RES ERJ2GEJ 822 X (8.2K)	T	16.8/16.8
R175	7030005050	S.RES ERJ2GEJ 103 X (10K)	B	2.2/12.3
R176	7030007340	S.RES ERJ2GEJ 153 X (15K)	B	31.1/8.6
R177	7030009280	S.RES ERJ2GEJ 391 X	T	20.1/21
R200	7030008410	S.RES ERJ2GEJ 392 X (3.9K)	B	25.4/13.5
R201	7030005240	S.RES ERJ2GEJ 473 X (47K)	B	26.8/17.1
R202	7030005240	S.RES ERJ2GEJ 473 X (47K)	B	26.3/15.9
R203	7030005030	S.RES ERJ2GEJ 152 X (1.5K)	B	27.2/13.4
R204	7030005120	S.RES ERJ2GEJ 102 X (1K)	B	13.6/16.7
R250	7030007290	S.RES ERJ2GEJ 222 X (2.2K)	T	22.8/18.8
R251	7030005040	S.RES ERJ2GEJ 472 X (4.7K)	T	31.1/18.1
R252	7030005240	S.RES ERJ2GEJ 473 X (47K)	T	24.2/18.8
R253	7030005220	S.RES ERJ2GEJ 223 X (22K)	T	25.3/16.2
R254	7030005050	S.RES ERJ2GEJ 103 X (10K)	T	27.6/14.7
R255	7030007280	S.RES ERJ2GEJ 331 X (330)	T	23.3/13.9
R256	7030005050	S.RES ERJ2GEJ 103 X (10K)	T	31.2/17.2
R257	7030005240	S.RES ERJ2GEJ 473 X (47K)	T	32.4/14.3
R258	7030007290	S.RES ERJ2GEJ 222 X (2.2K)	T	33.5/14.3
R300	7030007290	S.RES ERJ2GEJ 222 X (2.2K)	B	9.4/24.6
R301	7030007290	S.RES ERJ2GEJ 222 X (2.2K)	B	13.2/33.7
R302	7030005120	S.RES ERJ2GEJ 102 X (1K)	B	6.8/32.8
R303	7030007290	S.RES ERJ2GEJ 222 X (2.2K)	B	7.4/29.1
R304	7030005050	S.RES ERJ2GEJ 103 X (10K)	B	5.6/32.5
R305	7030005240	S.RES ERJ2GEJ 473 X (47K)	B	12.3/31.4
R306	7030005050	S.RES ERJ2GEJ 103 X (10K)	B	14.4/25.9
R307	7030005050	S.RES ERJ2GEJ 103 X (10K)	B	13.2/26.1
R308	7030008370	S.RES ERJ2GEJ 561 X (560)	B	11.6/27.8
R309	7030008410	S.RES ERJ2GEJ 392 X (3.9K)	B	17.4/25.9
R310	7030008410	S.RES ERJ2GEJ 392 X (3.9K)	B	16.8/24.6
R311	7030005240	S.RES ERJ2GEJ 473 X (47K)	B	16.1/29
R312	7030005240	S.RES ERJ2GEJ 473 X (47K)	B	18.6/28.2
R313	7030005050	S.RES ERJ2GEJ 103 X (10K)	B	23.1/25.2
R314	7030005220	S.RES ERJ2GEJ 223 X (22K)	B	21.9/29.4
R315	7030005530	S.RES ERJ2GEJ 100 X (10)	B	27/27.7
R316	7030009280	S.RES ERJ2GEJ 391 X	B	24.9/28.4
R317	7030007290	S.RES ERJ2GEJ 222 X (2.2K)	B	27/28.3
R318	7030007300	S.RES ERJ2GEJ 332 X (3.3K)	B	13.2/31.3
R319	7030007300	S.RES ERJ2GEJ 332 X (3.3K)	B	8.5/23.2
R320	7030005240	S.RES ERJ2GEJ 473 X (47K)	B	14.4/34
R321	7030005720	S.RES ERJ2GEJ 563 X (56K)	B	11.6/26
R322	7030005720	S.RES ERJ2GEJ 563 X (56K)	B	23.1/28.4
R323	7030005050	S.RES ERJ2GEJ 103 X (10K)	B	24.3/24.9
R325	7030005050	S.RES ERJ2GEJ 103 X (10K)	B	4.7/38
R326	7030007290	S.RES ERJ2GEJ 222 X (2.2K)	B	8.3/26.1
R400	7030007300	S.RES ERJ2GEJ 332 X (3.3K)	B	14.6/21
R401	7030008300	S.RES ERJ2GEJ 184 X (180K)	B	20.9/19.3
R402	7030005110	S.RES ERJ2GEJ 224 X (220K)	B	18.2/21.1
R403	7030005240	S.RES ERJ2GEJ 473 X (47K)	B	19.5/22.8
R404	7030005110	S.RES ERJ2GEJ 224 X (220K)	B	18.9/24
R405	7030005120	S.RES ERJ2GEJ 102 X (1K)	B	23.6/19.1
R406	7030004980	S.RES ERJ2GEJ 101 X (100)	B	22.5/23.1
R407	7030010040	S.RES ERJ2GEJ-JPW	B	24.5/20.7
R408	7030005530	S.RES ERJ2GEJ 100 X (10)	B	21.3/18.4
R409	7030004990	S.RES ERJ2GEJ 221 X (220)	B	25.4/18.9
R410	7030004990	S.RES ERJ2GEJ 221 X (220)	B	25.4/20.5
R411	7030005240	S.RES ERJ2GEJ 473 X (47K)	B	29.6/19
R412	7030008300	S.RES ERJ2GEJ 184 X (180K)	B	30.3/21.4
R413	7030005110	S.RES ERJ2GEJ 224 X (220K)	B	30.2/17.4
R414	7030005220	S.RES ERJ2GEJ 223 X (22K)	B	32.1/21.4
R415	7030005220	S.RES ERJ2GEJ 223 X (22K)	B	31.2/21.1
R416	7030005110	S.RES ERJ2GEJ 224 X (220K)	B	31.1/16.9
R417	7030005120	S.RES ERJ2GEJ 102 X (1K)	B	33.2/21.4
R418	7030004990	S.RES ERJ2GEJ 221 X (220)	B	34.8/17.3
R419	7030005090	S.RES ERJ2GEJ 104 X (100K)	B	36.4/18.9
R420	7030005530	S.RES ERJ2GEJ 100 X (10)	B	35.6/21
R421	7030005240	S.RES ERJ2GEJ 473 X (47K)	B	38.7/18.3
R422	7030005240	S.RES ERJ2GEJ 473 X (47K)	B	43.2/16.9
R423	7030009270	S.RES ERJ2GEJ 821 X (820)	B	41/13.9
R450	7030005240	S.RES ERJ2GEJ 473 X (47K)	B	23.5/21.9
R451	7030008300	S.RES ERJ2GEJ 184 X (180K)	B	29.1/22.3
R452	7030005110	S.RES ERJ2GEJ 224 X (220K)	B	27.5/21.4
R453	7030005220	S.RES ERJ2GEJ 223 X (22K)	B	33.7/25
R454	7030005220	S.RES ERJ2GEJ 223 X (22K)	B	31.6/22.6
R455	7030005110	S.RES ERJ2GEJ 224 X (220K)	B	27.9/25.3
R456	7030005120	S.RES ERJ2GEJ 102 X (1K)	B	31.5/24.5
R457	7030004990	S.RES ERJ2GEJ 221 X (220)	B	28.8/26.1
R458	7030005090	S.RES ERJ2GEJ 104 X (100K)	B	34.6/25

M.=Mounted side (T: Mounted on the Top side, B: Mounted on the Bottom side)
S.=Surface mount

[RF UNIT]

REF NO.	PARTS NO.	DESCRIPTION	M.	H/V LOCATION
R459	7030005530	S.RES ERJ2GEJ 100 X (10)	B	33.6/26.2
R460	7030005240	S.RES ERJ2GEJ 473 X (47K)	B	36.7/25.6
R461	7030005240	S.RES ERJ2GEJ 473 X (47K)	B	37.1/24.7
R462	7030007290	S.RES ERJ2GEJ 222 X (2.2K)	B	37.1/21.5
R501	7030005050	S.RES ERJ2GEJ 103 X (10K)	B	5.9/37.6
R502	7030005240	S.RES ERJ2GEJ 473 X (47K)	B	7.9/39.8
R503	7030005060	S.RES ERJ2GEJ 333 X (33K)	B	11.5/38.4
R504	7030005050	S.RES ERJ2GEJ 103 X (10K)	B	10.6/38.4
R506	7030004990	S.RES ERJ2GEJ 221 X (220)	B	9.7/41.9
R507	7030008410	S.RES ERJ2GEJ 392 X (3.9K)	B	12.8/44.6
R508	7030008410	S.RES ERJ2GEJ 392 X (3.9K)	B	13/41.9
R509	7030005240	S.RES ERJ2GEJ 473 X (47K)	B	16.3/41.2
R510	7030005240	S.RES ERJ2GEJ 473 X (47K)	B	16.3/42.8
R511	7030005050	S.RES ERJ2GEJ 103 X (10K)	B	19.5/42.8
R512	7030005720	S.RES ERJ2GEJ 563 X (56K)	B	17.8/39.8
R513	7030005530	S.RES ERJ2GEJ 100 X (10)	B	16.3/36.9
R514	7030004990	S.RES ERJ2GEJ 221 X (220)	B	20.2/40.7
R515	7030007290	S.RES ERJ2GEJ 222 X (2.2K)	B	18.5/36.6
R517	7030007300	S.RES ERJ2GEJ 332 X (3.3K)	B	14.3/35.2
R518	7030005240	S.RES ERJ2GEJ 473 X (47K)	B	16.4/35.4
R519	7030004980	S.RES ERJ2GEJ 101 X (100)	B	16.9/38.1
R602	7030008300	S.RES ERJ2GEJ 184 X (180K)	B	21.8/30.3
R603	7030005110	S.RES ERJ2GEJ 224 X (220K)	B	20.3/30.9
R604	7030005240	S.RES ERJ2GEJ 473 X (47K)	B	21.8/31.2
R605	7030005110	S.RES ERJ2GEJ 224 X (220K)	B	20.1/35.8
R607	7030004980	S.RES ERJ2GEJ 101 X (100)	B	22.8/36.4
R608	7030010040	S.RES ERJ2GEJ-JPW	B	23.9/30.8
R609	7030005530	S.RES ERJ2GEJ 100 X (10)	B	23/30.9
R610	7030004980	S.RES ERJ2GEJ 101 X (100)	B	24.8/30.3
R611	7030004980	S.RES ERJ2GEJ 101 X (100)	B	26/30.7
R612	7030005240	S.RES ERJ2GEJ 473 X (47K)	B	30.4/28.5
R613	7030005240	S.RES ERJ2GEJ 473 X (47K)	B	31.3/28.5
R614	7030008300	S.RES ERJ2GEJ 184 X (180K)	B	34.8/30.6
R615	7030005110	S.RES ERJ2GEJ 224 X (220K)	B	35.3/27.8
R616	7030005220	S.RES ERJ2GEJ 223 X (22K)	B	33.6/31.1
R617	7030005220	S.RES ERJ2GEJ 223 X (22K)	B	34/32.3
R618	7030005110	S.RES ERJ2GEJ 224 X (220K)	B	36.2/27.8
R619	7030005120	S.RES ERJ2GEJ 102 X (1K)	B	40.1/29.4
R620	7030004990	S.RES ERJ2GEJ 221 X (220)	B	38.9/27.7
R621	7030005530	S.RES ERJ2GEJ 100 X (10)	B	41/29.4
R622	7030005240	S.RES ERJ2GEJ 473 X (47K)	B	44.4/28.8
R623	7030005240	S.RES ERJ2GEJ 473 X (47K)	B	44.2/27.6
R624	7030009270	S.RES ERJ2GEJ 821 X (820)	B	42.7/24.2
R650	7030005240	S.RES ERJ2GEJ 473 X (47K)	B	29.2/35.8
R651	7030005240	S.RES ERJ2GEJ 473 X (47K)	B	30.1/35.8
R652	7030008300	S.RES ERJ2GEJ 184 X (180K)	B	38.9/31.5
R653	7030005110	S.RES ERJ2GEJ 224 X (220K)	B	35.7/34.1
R654	7030005220	S.RES ERJ2GEJ 223 X (22K)	B	40.1/32
R655	7030005220	S.RES ERJ2GEJ 223 X (22K)	B	38.9/32.4
R656	7030005110	S.RES ERJ2GEJ 224 X (220K)	B	35.7/35
R657	7030005120	S.RES ERJ2GEJ 102 X (1K)	B	40.8/33.9
R658	7030004990	S.RES ERJ2GEJ 221 X (220)	B	39.5/36.8
R659	7030005530	S.RES ERJ2GEJ 100 X (10)	B	42/33.5
R660	7030005240	S.RES ERJ2GEJ 473 X (47K)	B	44.9/37.3
R661	7030005240	S.RES ERJ2GEJ 473 X (47K)	B	45.8/37.1
R662	7030009270	S.RES ERJ2GEJ 821 X (820)	B	44.6/33.6
R700	7030007290	S.RES ERJ2GEJ 222 X (2.2K)	T	18.3/45.3
R701	7030007290	S.RES ERJ2GEJ 222 X (2.2K)	T	18/44
R702	7030005120	S.RES ERJ2GEJ 102 X (1K)	T	14.4/42.5
R703	7030008290	S.RES ERJ2GEJ 183 X (18K)	T	16.7/39.7
R704	7030008290	S.RES ERJ2GEJ 183 X (18K)	T	15.8/39.7
R705	7030004970	S.RES ERJ2GEJ 470 X (47)	T	17.9/40.1
R706	7030007250	S.RES ERJ2GEJ 220 X (22)	T	11.3/39.6
R707	7030005240	S.RES ERJ2GEJ 473 X (47K)	T	19.5/39.7
R708	7030005240	S.RES ERJ2GEJ 473 X (47K)	T	9.5/37.3
R709	7030005240	S.RES ERJ2GEJ 473 X (47K)	T	11.9/36.8
R710	7030007250	S.RES ERJ2GEJ 220 X (22)	T	14.3/38.5
R711	7030005220	S.RES ERJ2GEJ 223 X (22K)	T	15.9/38.5
R712	7030007280	S.RES ERJ2GEJ 331 X (330)	T	18/36.9
R713	7030004990	S.RES ERJ2GEJ 221 X (220)	T	15.8/35.3
R714	7030007290	S.RES ERJ2GEJ 222 X (2.2K)	T	19.2/36.4
R800	7030005050	S.RES ERJ2GEJ 103 X (10K)	T	24.7/30.3
R801	7030005050	S.RES ERJ2GEJ 103 X (10K)	T	26.8/26.5
R802	7030005120	S.RES ERJ2GEJ 102 X (1K)	T	26.4/28
R803	7030005120	S.RES ERJ2GEJ 102 X (1K)	T	26.4/28.9
R804	7030005120	S.RES ERJ2GEJ 102 X (1K)	T	28.5/30.3
R805	7030005120	S.RES ERJ2GEJ 102 X (1K)	T	29.7/30.2
R806	7030011170	S.RES RR0510P-471-D (470)	T	31.8/24.3
R807	7030009190	S.RES RR0510P-332-D (3.3K)	T	33.8/23.3
R808	7030005990	S.RES RR0510P-122-D (1.2K)	T	31.8/19.9
R818	7030004980	S.RES ERJ2GEJ 101 X (100)	T	33.1/30.2
R819	7030009530	S.RES ERJ2GEJ 270 X (27)	T	34.8/27.6
R820	7030005090	S.RES ERJ2GEJ 104 X (100K)	T	35/23.7
R830	7030010040	S.RES ERJ2GEJ-JPW	T	25.9/26.5
R831	7030010090	S.RES ERJ2GEJ 180 X (18)	T	26.8/24.9
R832	7030010090	S.RES ERJ2GEJ 180 X (18)	T	30.2/24.3
R840	7030005050	S.RES ERJ2GEJ 103 X (10K)	T	40.6/39.3
R841	7030005030	S.RES ERJ2GEJ 152 X (1.5K)	T	42/37.2
R850	7030004970	S.RES ERJ2GEJ 470 X (47)	T	36/30.4
R851	7030005310	S.RES ERJ2GEJ 124 X (120K)	T	36.9/30.3
R852	7030007570	S.RES ERJ2GEJ 122 X (1.2K)	T	36/26.3
R853	7030007290	S.RES ERJ2GEJ 222 X (2.2K)	T	39.3/26.2
R854	7030007300	S.RES ERJ2GEJ 332 X (3.3K)	T	37.5/27.8
R855	7030007290	S.RES ERJ2GEJ 222 X (2.2K)	T	39.3/27.1
R900	7030007290	S.RES ERJ2GEJ 222 X (2.2K)	B	33.9/15.4
R901	7030007290	S.RES ERJ2GEJ 222 X (2.2K)	B	45.8/28.2
R962	7030004970	S.RES ERJ2GEJ 470 X (47)	T	39/37.3

[RF UNIT]

REF NO.	PARTS NO.	DESCRIPTION	M.	H/V LOCATION
R1001	7030005090	S.RES ERJ2GEJ 104 X (100K)	B	41.7/8.2
R1002	7030011870	S.RES ERJ2BSFR18X (0.18)	B	45.3/2
R1003	7030011870	S.RES ERJ2BSFR18X (0.18)	B	44.4/2
R1004	7030011870	S.RES ERJ2BSFR18X (0.18)	B	43.5/2
C1	4030017560	S.CER ECJ0EC1H2R5B	T	6.7/41.3
C2	4030017580	S.CER ECJ0EC1H060C	T	6.2/40.1
C3	4030017350	S.CER ECJ0EC1H020B	T	7.2/36.8
C4	4030017590	S.CER ECJ0EC1H070C	T	4.2/38.2
C5	4030017340	S.CER ECJ0EC1H010B	T	7.2/35.2
C6	4030017340	S.CER ECJ0EC1H010B	T	11/33.5
C7	4030017400	S.CER ECJ0EC1H220J	T	12.7/33.1
C8	4030017400	S.CER ECJ0EC1H220J	T	14.3/33.1
C9	4030017390	S.CER ECJ0EC1H180J	T	14.9/31.4
C10	4030017550	S.CER ECJ0EC1H1R5B	T	8.7/33.4
C11	4030017660	S.CER ECJ0EC1H330J	T	6.9/30.1
C12	4030017580	S.CER ECJ0EC1H060C	T	11.3/28.9
C13	4030017400	S.CER ECJ0EC1H220J	T	6.9/29.2
C14	4030017550	S.CER ECJ0EC1H1R5B	T	9.3/24.5
C16	4030017330	S.CER ECJ0EF1C104Z	T	8.1/23.9
C18	4030017350	S.CER ECJ0EC1H020B	T	12.3/44.9
C19	4030017550	S.CER ECJ0EC1H1R5B	T	14.7/44.9
C20	4030017380	S.CER ECJ0EC1H050B	T	17.1/44.9
C21	4030017600	S.CER ECJ0EC1H080C	T	17/28.7
C22	4030017630	S.CER ECJ0EC1H120J	T	18.5/27.9
C23	4030017460	S.CER ECJ0EB1E102K	T	18.3/32.1
C24	4030017580	S.CER ECJ0EC1H060C	T	15.9/33.5
C25	4030017460	S.CER ECJ0EB1E102K	T	17.1/32.9
C26	4030017460	S.CER ECJ0EB1E102K	T	19.8/30.4
C27	4030017430	S.CER ECJ0EC1H101J	T	20.9/34.1
C28	4030017460	S.CER ECJ0EB1E102K	T	16.9/27
C29	4030017460	S.CER ECJ0EB1E102K	T	18.2/25.5
C30	4030017400	S.CER ECJ0EC1H220J	B	7.2/20
C31	4030017390	S.CER ECJ0EC1H180J	B	7.1/22.5
C32	4030018860	S.CER ECJ0EB0J105K	B	10.2/22.5
C33	4030018860	S.CER ECJ0EB0J105K	B	11.8/22.4
C34	4030017460	S.CER ECJ0EB1E102K	B	12.1/20.9
C35	4030017400	S.CER ECJ0EC1H220J	B	13.3/20.4
C36	4030017460	S.CER ECJ0EB1E102K	B	4.7/17.3
C37	4030017460	S.CER ECJ0EB1E102K	B	5.9/17
C38	4030017460	S.CER ECJ0EB1E102K	B	6.2/8.4
C39	4030017460	S.CER ECJ0EB1E102K	B	9.1/17
C40	4030017460	S.CER ECJ0EB1E102K	T	19.4/29.2
C41	4030017460	S.CER ECJ0EB1E102K	T	3.3/32.5
C42	4030017460	S.CER ECJ0EB1E102K	T	3.3/37.1
C43	4030017460	S.CER ECJ0EB1E102K	T	20.4/23.2
C44	4030017460	S.CER ECJ0EB1E102K	T	18.8/34.9
C45	4030017620	S.CER ECJ0EC1H100C	T	21.1/33.2
C100	4030017430	S.CER ECJ0EC1H101J	T	9/18.2
C101	4030017600	S.CER ECJ0EC1H080C	T	9/16.6
C102	4030011530	S.CER C1608 CH 1H 110J-T	T	10/12.4
C103	4030007030	S.CER C1608 CH 1H 150J-T	T	8.8/12.4
C104	4030007080	S.CER C1608 CH 1H 390J-T	T	8.8/9.8
C106	4030017570	S.CER ECJ0EC1H040B	T	3/12.3
C107	4030007110	S.CER C1608 CH 1H 680J-T	T	4.4/8.8
C108	4030017460	S.CER ECJ0EB1E102K	T	2.7/13.5
C109	4030017460	S.CER ECJ0EB1E102K	T	13.8/3.2
C111	4550007650	S.TAN F931V105MAABMA	T	7.8/5.1
C112	4030017650	S.CER ECJ0EC1H270J	T	18.6/9.3
C115	4030017680	S.CER ECJ0EC1H820J	T	22.2/9.1
C116	4030017420	S.CER ECJ0EC1H420J	T	19/6.9
C119	4030017460	S.CER ECJ0EB1E102K	T	20.4/9.8
C121	4030017330	S.CER ECJ0EF1C104Z	T	18.3/3.4
C122	4030017330	S.CER ECJ0EF1C104Z	T	18.3/4.3
C123	4030017330	S.CER ECJ0EF1C104Z	T	19.5/5.1
C124	4030017460	S.CER ECJ0EB1E102K	T	20.4/5.1
C125	4030016930	S.CER ECJ0EB1A104K	T	29.1/10.3
C126	4030017460	S.CER ECJ0EB1E102K	T	30.1/10.1
C127	4030017620	S.CER ECJ0EC1H100C	T	28.7/7.1
C128	4030017460	S.CER ECJ0EB1E102K	T	29.9/6.9
C129	4030017460	S.CER ECJ0EB1E102K	T	29.6/5.5
C132	4030017620	S.CER ECJ0EC1H100C	T	16.1/5.6
C133	4030017460	S.CER ECJ0EB1E102K	T	31.9/9.8
C134	4030017330	S.CER ECJ0EF1C104Z	T	33.1/10.4
C135	4030017340	S.CER ECJ0EC1H010B	T	39.3/25.3
C136	4030017460	S.CER ECJ0EB1E102K	T	35.1/3.5
C139	4030017430	S.CER ECJ0EC1H101J	T	38.3/7.2
C140	4030017460	S.CER ECJ0EB1E102K	T	38.3/8.8
C141	4030017430	S.CER ECJ0EC1H101J	T	42/9.6
C142	4030017460	S.CER ECJ0EB1E102K	T	39.6/10.5
C143	4030017460	S.CER ECJ0EB1E102K	T	42.5/1.8
C144	4030017460	S.CER ECJ0EB1E102K	T	31/10.1
C145	4030017460	S.CER ECJ0EB1E102K	T	6.2/6.9
C146	4030017460	S.CER ECJ0EB1E102K	T	36.8/10.2
C150	4030016950	S.CER ECJ0EB1A473K	B	32.6/5.7
C151	4030016930	S.CER ECJ0EB1A104K	B	31.1/7.7
C152	4030016790	S.CER ECJ0EB1C103K	B	25.7/3
C154	4030017460	S.CER ECJ0EB1E102K	B	27.7/9.2
C158	4030017460	S.CER ECJ0EB1E102K	B	23.5/8.3
C159	4550007600	S.TAN F920J106MPABMA	B	24/10.8
C160	4030016790	S.CER ECJ0EB		

[RF UNIT]

REF NO.	PARTS NO.	DESCRIPTION	M.	H/V LOCATION
C167	4030017570	S.CER ECJ0EC1H040B	T	11.1/22.9
C168	4030017440	S.CER ECJ0EC1H221J	T	18.1/24.4
C169	4030017460	S.CER ECJ0EB1E102K	T	20.1/21.9
C170	4030017440	S.CER ECJ0EC1H221J	T	17.7/16.5
C171	4030017340	S.CER ECJ0EC1H010B	T	12.2/18.3
C172	4030017460	S.CER ECJ0EB1E102K	T	16.1/15.4
C173	4030017460	S.CER ECJ0EB1E102K	B	11.3/18.4
C174	4030017340	S.CER ECJ0EC1H010B	T	5.9/16.8
C175	4030017640	S.CER ECJ0EC1H150J	T	2.1/16.8
C176	4030017640	S.CER ECJ0EC1H150J	T	2.1/12.3
C177	4030017340	S.CER ECJ0EC1H010B	T	2.1/14.9
C178	4030017460	S.CER ECJ0EB1E102K	B	9/13.9
C179	4030017460	S.CER ECJ0EB1E102K	B	2.4/14.1
C180	4030017460	S.CER ECJ0EB1E102K	B	8.9/19.4
C181	4030017460	S.CER ECJ0EB1E102K	B	8.6/3.3
C182	4030017460	S.CER ECJ0EB1E102K	T	6.8/17.7
C183	4030017460	S.CER ECJ0EB1E102K	T	18.6/16.5
C184	4030017460	S.CER ECJ0EB1E102K	B	10.5/15.3
C185	4030017460	S.CER ECJ0EB1E102K	B	6/12.7
C186	4030017460	S.CER ECJ0EB1E102K	T	17.7/21.5
C192	4030017360	S.CER ECJ0EC1H030B	T	9/19.5
C193	4030009520	S.CER C1608 CH 1H 020B-T	T	3.9/10.7
C201	4030017630	S.CER ECJ0EC1H120J	B	16.9/18.6
C202	4030017500	S.CER ECJ0EC1H560J	B	18.1/18.3
C203	4030017580	S.CER ECJ0EB1H060C	B	19.3/18.6
C204	4030017660	S.CER ECJ0EC1H330J	B	19.1/17.4
C205	4030017500	S.CER ECJ0EC1H560J	B	22.7/13.6
C206	4030017400	S.CER ECJ0EC1H220J	B	22.5/14.8
C207	4030017710	S.CER ECJ0EC1H181J	B	23.6/13.6
C208	4030017600	S.CER ECJ0EC1H080C	B	24.1/14.8
C209	4030017430	S.CER ECJ0EC1H101J	B	24.5/13.6
C210	4030018860	S.CER ECJ0EB0J105K	B	25.7/14.7
C211	4030016930	S.CER ECJ0EB1A104K	B	29/13.4
C212	4030016930	S.CER ECJ0EB1A104K	B	28.1/13.4
C213	4030018860	S.CER ECJ0EB0J105K	B	13.6/18.3
C214	4030018860	S.CER ECJ0EB0J105K	B	26.3/13.5
C250	4030017660	S.CER ECJ0EC1H330J	T	22.8/17.1
C251	4030016790	S.CER ECJ0EB1C103K	T	29.9/18.5
C252	4030017460	S.CER ECJ0EB1E102K	T	25.1/19.9
C253	4030017400	S.CER ECJ0EC1H220J	T	24.1/16.8
C254	4030016790	S.CER ECJ0EB1C103K	T	23.3/15.5
C255	4030016790	S.CER ECJ0EB1C103K	T	25.5/13
C256	4030016930	S.CER ECJ0EB1A104K	T	24.6/13
C257	4030017620	S.CER ECJ0EC1H100C	T	28.6/12.7
C258	4030016790	S.CER ECJ0EB1C103K	T	31.1/19
C259	4030017460	S.CER ECJ0EB1E102K	T	31.4/14.5
C260	4030017660	S.CER ECJ0EC1H330J	T	30.2/14.2
C261	4030017420	S.CER ECJ0EC1H470J	T	32.6/16.7
C262	4030017420	S.CER ECJ0EC1H470J	T	25.2/21.1
C263	4030017420	S.CER ECJ0EC1H470J	T	33.4/15.5
C264	4030017420	S.CER ECJ0EC1H470J	T	22.4/24.2
C268	4030017460	S.CER ECJ0EB1E102K	T	34.5/13.1
C300	4030017460	S.CER ECJ0EB1E102K	B	8.2/24.1
C301	4030017390	S.CER ECJ0EC1H180J	B	8.2/25.2
C302	4030017640	S.CER ECJ0EC1H150J	B	10.4/26.2
C303	4030017670	S.CER ECJ0EC1H390J	B	8.3/27
C304	4030017380	S.CER ECJ0EC1H050B	B	9.5/27.8
C305	4030017400	S.CER ECJ0EC1H220J	B	7.2/27.9
C306	4030017650	S.CER ECJ0EC1H270J	B	12/33
C307	4030017420	S.CER ECJ0EC1H470J	B	10.8/33.6
C308	4030017630	S.CER ECJ0EC1H120J	B	9.9/34.7
C309	4030017690	S.CER ECJ0EC1H121J	B	8.3/34.6
C310	4030017400	S.CER ECJ0EC1H220J	B	7.1/34
C311	4030017460	S.CER ECJ0EB1E102K	B	6.2/34.5
C312	4030017620	S.CER ECJ0EC1H100C	B	9.8/29.4
C313	4030016790	S.CER ECJ0EB1C103K	B	8.4/32.8
C314	4030017460	S.CER ECJ0EB1E102K	B	10.8/32.7
C315	4030017630	S.CER ECJ0EC1H120J	B	11.6/29
C316	4030016790	S.CER ECJ0EB1C103K	B	11.6/26.9
C317	4030017460	S.CER ECJ0EB1E102K	B	16.5/25.9
C318	4030016790	S.CER ECJ0EB1C103K	B	11.8/25.1
C319	4030016790	S.CER ECJ0EB1C103K	B	12.2/24.2
C320	4030017460	S.CER ECJ0EB1E102K	B	16.3/27.1
C321	4030017360	S.CER ECJ0EC1H030B	B	16.3/28
C322	4030017460	S.CER ECJ0EB1E102K	B	19.5/25.6
C323	4030017460	S.CER ECJ0EB1E102K	B	14.5/29
C324	4030017460	S.CER ECJ0EB1E102K	B	21.9/24.8
C325	4030017360	S.CER ECJ0EC1H030B	B	21.9/28.5
C326	4030017460	S.CER ECJ0EB1E102K	B	25.8/28.2
C327	4030016790	S.CER ECJ0EB1C103K	B	24/28.4
C328	4030017730	S.CER ECJ0EB1E471K	B	26.7/26.5
C329	4030017460	S.CER ECJ0EB1E102K	B	3/35.3
C330	4030017460	S.CER ECJ0EB1E102K	B	2.8/36.5
C331	4030017460	S.CER ECJ0EB1E102K	B	4.5/31.2
C332	4030017460	S.CER ECJ0EB1E102K	B	2.7/31.6
C335	4030017460	S.CER ECJ0EB1E102K	B	15.6/34
C336	4030016790	S.CER ECJ0EB1C103K	B	11.8/23.3
C337	4030017420	S.CER ECJ0EC1H470J	B	25.2/24.9
C339	4030017440	S.CER ECJ0EC1H221J	B	3.8/38
C340	4030017460	S.CER ECJ0EB1E102K	T	20.6/26.7
C341	4030017460	S.CER ECJ0EB1E102K	T	18.2/26.4
C400	4030017440	S.CER ECJ0EC1H221J	B	17/20.7
C401	4030017370	S.CER ECJ0EC1H3R5B	B	17/21.6
C402	4030018860	S.CER ECJ0EB0J105K	B	19.8/24
C403	4030017460	S.CER ECJ0EB1E102K	B	17.7/23.5
C404	4030016790	S.CER ECJ0EB1C103K	B	21.6/23.1
C405	4030017460	S.CER ECJ0EB1E102K	B	20.7/23.2

[RF UNIT]

REF NO.	PARTS NO.	DESCRIPTION	M.	H/V LOCATION
C407	4030017600	S.CER ECJ0EC1H080C	B	23.6/20.7
C408	4030017550	S.CER ECJ0EC1H1R5B	B	26.3/18.9
C409	4030017430	S.CER ECJ0EC1H101J	B	28.4/17.4
C410	4030017690	S.CER ECJ0EC1H121J	B	29.3/17.4
C411	4030017380	S.CER ECJ0EC1H050B	B	29.9/20.2
C412	4030018860	S.CER ECJ0EB0J105K	B	33.2/16.4
C413	4030017460	S.CER ECJ0EB1E102K	B	32/16.9
C414	4030016790	S.CER ECJ0EB1C103K	B	34.2/18.7
C415	4030017460	S.CER ECJ0EB1E102K	B	34.8/17.8
C417	4030017460	S.CER ECJ0EB1E102K	B	35.5/19
C418	4030017460	S.CER ECJ0EB1E102K	B	33.2/17.3
C419	4030017430	S.CER ECJ0EC1H101J	B	36.3/17.2
C420	4030017530	S.CER ECJ0EC1H0R5B	B	38.7/17.4
C421	4030017660	S.CER ECJ0EC1H330J	B	38.7/16.5
C422	4030017430	S.CER ECJ0EC1H101J	B	41.4/14.8
C423	4030017580	S.CER ECJ0EC1H060C	B	39.9/16.8
C424	4030017460	S.CER ECJ0EB1E102K	B	38.5/19.2
C425	4030017460	S.CER ECJ0EB1E102K	B	36.5/20.1
C450	4030017550	S.CER ECJ0EC1H1R5B	B	26.6/20.8
C451	4030017430	S.CER ECJ0EC1H101J	B	24.3/23.1
C452	4030017460	S.CER ECJ0EB1E102K	B	23.4/23.1
C453	4030017380	S.CER ECJ0EC1H050B	B	27.9/22.6
C454	4030018860	S.CER ECJ0EB0J105K	B	31.5/26.1
C455	4030017460	S.CER ECJ0EB1E102K	B	26.7/25
C456	4030016790	S.CER ECJ0EB1C103K	B	30.6/26.1
C457	4030017460	S.CER ECJ0EB1E102K	B	29.7/26.1
C459	4030017460	S.CER ECJ0EB1E102K	B	34/23.8
C460	4030017430	S.CER ECJ0EC1H101J	B	35.5/25.9
C461	4030017460	S.CER ECJ0EB1E102K	B	32.4/26.6
C462	4030017530	S.CER ECJ0EC1H0R5B	B	37.1/22.9
C463	4030017660	S.CER ECJ0EC1H330J	B	37.1/23.8
C464	4030017440	S.CER ECJ0EC1H221J	B	36.7/26.5
C465	4030017430	S.CER ECJ0EC1H101J	B	38.7/25.2
C466	4030017580	S.CER ECJ0EC1H060C	B	38.3/21.9
C467	4030017420	S.CER ECJ0EC1H470J	B	46.2/19.4
C469	4030017420	S.CER ECJ0EC1H470J	B	46.1/22.7
C470	4030017420	S.CER ECJ0EC1H470J	B	38/20.7
C471	4030017420	S.CER ECJ0EC1H470J	B	39.2/20.1
C472	4030017460	S.CER ECJ0EB1E102K	B	44.4/17.7
C473	4030017420	S.CER ECJ0EC1H470J	B	44.9/18.9
C474	4030017420	S.CER ECJ0EC1H470J	B	40.9/24.2
C500	4030017380	S.CER ECJ0EC1H050B	B	10.6/36.7
C501	4030017460	S.CER ECJ0EB1E102K	B	5.9/38.5
C502	4030017610	S.CER ECJ0EC1H090C	B	7.2/36.2
C503	4030017460	S.CER ECJ0EB1E102K	B	7.9/40.7
C504	4030017590	S.CER ECJ0EC1H070C	B	9.7/38.4
C505	4030017460	S.CER ECJ0EB1E102K	B	8.8/41.9
C506	4030017460	S.CER ECJ0EB1E102K	B	10.6/42.8
C507	4030017460	S.CER ECJ0EB1E102K	B	12.1/41.9
C508	4030017460	S.CER ECJ0EB1E102K	B	13.7/44.6
C509	4030017610	S.CER ECJ0EC1H090C	B	12.8/40.3
C510	4030017350	S.CER ECJ0EC1H020B	B	14/39.8
C511	4030017610	S.CER ECJ0EC1H090C	B	15.2/43.6
C512	4030017440	S.CER ECJ0EC1H221J	B	16.3/44.4
C513	4030017460	S.CER ECJ0EB1E102K	B	18/44.1
C514	4030017630	S.CER ECJ0EC1H120J	B	18.6/40.7
C515	4030017460	S.CER ECJ0EB1E102K	B	19.9/37.6
C516	4030017460	S.CER ECJ0EB1E102K	B	20.2/41.6
C517	4030017600	S.CER ECJ0EC1H080C	B	18.7/37.8
C518	4030017460	S.CER ECJ0EB1E102K	B	15.5/35.4
C519	4030017390	S.CER ECJ0EC1H180J	B	11.8/37.2
C523	4030017460	S.CER ECJ0EB1E102K	B	13.3/37.6
C600	4030017380	S.CER ECJ0EC1H050B	B	18.2/30.8
C601	4030017650	S.CER ECJ0EC1H270J	B	17/30.3
C602	4030017630	S.CER ECJ0EC1H120J	B	17.7/29.4
C603	4030018860	S.CER ECJ0EB0J105K	B	26/35.3
C604	4030017460	S.CER ECJ0EB1E102K	B	20/34.6
C606	4030016790	S.CER ECJ0EB1C103K	B	21.9/36.4
C607	4030017460	S.CER ECJ0EB1E102K	B	22.4/35.2
C608	4030017350	S.CER ECJ0EC1H020B	B	23.8/32.4
C609	4030017350	S.CER ECJ0EC1H020B	B	26/29.8
C610	4030017630	S.CER ECJ0EC1H120J	B	29.4/27.7
C611	4030017530	S.CER ECJ0EC1H0R5B	B	30.8/31
C612	4030017350	S.CER ECJ0EC1H020B	B	30.8/29.7
C613	4030017630	S.CER ECJ0EC1H120J	B	32.3/28.2
C614	4030017460	S.CER ECJ0EB1E102K	B	31.2/27.3
C615	4030017380	S.CER ECJ0EC1H050B	B	34.8/29.7
C616	4030018860	S.CER ECJ0EB0J105K	B	34.4/27.8
C617	4030017460	S.CER ECJ0EB1E102K	B	37.1/27.8
C618	4030016790	S.CER ECJ0EB1C103K	B	38/27.7
C619	4030017460	S.CER ECJ0EB1E102K	B	39.8/27.7
C620	4030017460	S.CER ECJ0EB1E102K	B	40.7/27.8
C621	4030017620	S.CER ECJ0EC1H100C	B	40.4/30.6
C622	4030017640	S.CER ECJ0EC1H150J	B	44.3/30.4
C623	4030017340	S.CER ECJ0EC1H010B	B	41.8/28.1
C625	4030017640	S.CER ECJ0EC1H150J	B	44/26.4
C626	4030017460	S.CER ECJ0EB1E102K	B	45.2/26.7
C627	4030017570	S.CER ECJ0EC1H040B	B	41.8/24.2
C630	4030017630	S.CER ECJ0EC1H120J	B	17.4/32.1
C631	4030017390	S.CER ECJ0EC1H180J	B	17/31.2
C633	4030017670	S.CER ECJ0EC1H390J	B	15.3/32.8
C650	4030017350	S.CER ECJ0EC1H020B	B	27.6/30.4
C651	4030017630	S.CER ECJ0EC1H120J	B	27.3/36.3
C652	4030			

[RF UNIT]

REF NO.	PARTS NO.	DESCRIPTION	M.	H/V LOCATION
C656	4030017380	S.CER ECJ0EC1H050B	B	33.6/33.6
C657	4030017460	S.CER ECJ0EB1E102K	B	40.9/36.3
C658	4030017460	S.CER ECJ0EB1E102K	B	36.5/36.2
C659	4030016790	S.CER ECJ0EB1C103K	B	37.4/37.4
C660	4030017460	S.CER ECJ0EB1E102K	B	38.3/36.9
C662	4030017620	S.CER ECJ0EC1H100C	B	41.3/35.1
C663	4030017640	S.CER ECJ0EC1H150J	B	43.1/37.7
C664	4030017340	S.CER ECJ0EC1H010B	B	45.4/35
C666	4030017640	S.CER ECJ0EC1H150J	B	46.7/37.9
C667	4030017460	S.CER ECJ0EB1E102K	B	44.9/38.9
C668	4030017570	S.CER ECJ0EC1H040B	B	45.9/33.8
C669	4030017420	S.CER ECJ0EC1H470J	B	43.9/24.4
C671	4030017460	S.CER ECJ0EB1E102K	T	43/23.8
C672	4030016930	S.CER ECJ0EB1A104K	B	44.1/22.7
C673	4030017460	S.CER ECJ0EB1E102K	B	39.6/11.3
C674	4030016930	S.CER ECJ0EB1A104K	B	23.5/29.6
C700	4030017380	S.CER ECJ0EC1H050B	T	18/43.1
C701	4030017580	S.CER ECJ0EC1H060C	T	18/42.2
C702	4030017460	S.CER ECJ0EB1E102K	T	16.4/44
C703	4030017460	S.CER ECJ0EB1E102K	T	14.8/43.7
C704	4030017650	S.CER ECJ0EC1H270J	T	20/41.5
C705	4030017380	S.CER ECJ0EC1H050B	T	15.9/40.9
C706	4030017460	S.CER ECJ0EB1E102K	T	20/40.6
C707	4030017460	S.CER ECJ0EB1E102K	T	12.2/41.2
C708	4030017680	S.CER ECJ0EC1H820J	T	20/38.2
C709	4030017460	S.CER ECJ0EB1E102K	T	10.4/39.6
C710	4030017650	S.CER ECJ0EC1H270J	T	9.5/36.4
C711	4030017550	S.CER ECJ0EC1H1R5B	T	12.5/38.4
C713	4030017650	S.CER ECJ0EC1H270J	T	13/34.7
C714	4030017460	S.CER ECJ0EB1E102K	T	9.5/35.5
C715	4030017640	S.CER ECJ0EC1H150J	T	14/36.9
C716	4030017460	S.CER ECJ0EB1E102K	T	14.9/35.3
C717	4030017460	S.CER ECJ0EB1E102K	T	17.9/35.3
C718	4030017620	S.CER ECJ0EC1H100C	T	19.2/37.3
C719	4030017730	S.CER ECJ0EB1E471K	T	13.5/43.4
C721	4030017460	S.CER ECJ0EB1E102K	T	25/34.1
C722	4030017400	S.CER ECJ0EC1H220J	T	12.1/35.2
C800	4030017570	S.CER ECJ0EC1H040B	T	46.1/23.3
C801	4030017570	S.CER ECJ0EC1H040B	T	46.1/22.4
C802	4030017460	S.CER ECJ0EB1E102K	T	45.7/18.3
C803	4030017460	S.CER ECJ0EB1E102K	T	47.5/18.1
C804	4030017460	S.CER ECJ0EB1E102K	T	42.5/22.6
C805	4030017570	S.CER ECJ0EC1H040B	T	44.1/22.6
C806	4030017460	S.CER ECJ0EB1E102K	T	43.4/19.1
C807	4030016790	S.CER ECJ0EB1C103K	T	24.5/28.2
C810	4030017430	S.CER ECJ0EC1H101J	T	25.6/24.4
C811	4030016790	S.CER ECJ0EB1C103K	T	25.6/25.3
C812	4030016790	S.CER ECJ0EB1C103K	T	25.8/22.6
C813	4030017430	S.CER ECJ0EC1H101J	T	27/22.3
C814	4550007680	S.TAN TEESVP 0J 226M8R	T	28.4/22.6
C815	4030017400	S.CER ECJ0EC1H220J	T	26.8/30.1
C818	4030017430	S.CER ECJ0EC1H101J	T	32.4/27.2
C819	4030017460	S.CER ECJ0EB1E102K	T	31.9/29.9
C820	4550006910	S.TAN TEESVP 1C 334M8R	T	32/21.9
C821	4550007760	S.TAN TEESVP 1A 335M8R	T	33.7/21.2
C822	4340000260	S.MYL ECPU1C104MA5	T	33.6/25.3
C823	4550007120	S.TAN F92 1D 224MPA	T	30.1/22.3
C826	4030017420	S.CER ECJ0EC1H470J	T	40.9/20.8
C830	4030017460	S.CER ECJ0EB1E102K	T	49.8/41.8
C833	4030018860	S.CER ECJ0EB0J105K	T	40.3/37.4
C834	4030017460	S.CER ECJ0EB1E102K	T	40.3/36.5
C835	4030017460	S.CER ECJ0EB1E102K	T	45.2/39.3
C836	4030018860	S.CER ECJ0EB0J105K	T	46.1/39.3
C837	4030017460	S.CER ECJ0EB1E102K	T	33/28.7
C838	4030017730	S.CER ECJ0EB1E471K	T	35/17.6
C839	4030017440	S.CER ECJ0EC1H221J	T	46.6/18.3
C840	4030017420	S.CER ECJ0EC1H470J	T	35/18.5
C841	4550007680	S.TAN TEESVP 0J 226M8R	T	42.4/35.5
C850	4030017460	S.CER ECJ0EB1E102K	T	34.9/29.2
C851	4030017460	S.CER ECJ0EB1E102K	T	39.5/30.7
C852	4030017350	S.CER ECJ0EC1H020B	T	36.9/25.8
C853	4030017350	S.CER ECJ0EC1H020B	T	40.3/28.4
C854	4030017460	S.CER ECJ0EB1E102K	T	39.1/28
C855	4030017360	S.CER ECJ0EC1H030B	T	38.3/18.3
C856	4030017360	S.CER ECJ0EC1H030B	T	37.1/16.5
C857	4030017350	S.CER ECJ0EC1H020B	T	36.2/18
C858	4030017620	S.CER ECJ0EC1H100C	T	26.4/23.5
C859	4030017570	S.CER ECJ0EC1H040B	T	44.8/18.3
C900	4030016790	S.CER ECJ0EB1C103K	T	37.9/14.6
C901	4030017460	S.CER ECJ0EB1E102K	T	39.1/14.8
C902	4030017400	S.CER ECJ0EC1H220J	B	40.5/11.3
C903	4030016790	S.CER ECJ0EB1C103K	B	47.6/26.9
C904	4030017460	S.CER ECJ0EB1E102K	B	43.7/12
C905	4030017460	S.CER ECJ0EB1E102K	B	43.7/13
C906	4030017440	S.CER ECJ0EC1H221J	T	42.9/28.7
C907	4030017440	S.CER ECJ0EC1H221J	B	47.7/32.8
C908	4030017730	S.CER ECJ0EB1E471K	B	49.6/31.7
C909	4030017650	S.CER ECJ0EC1H270J	T	40.7/18.2
C910	4030017460	S.CER ECJ0EB1E102K	B	44.8/32.7
C911	4030017420	S.CER ECJ0EC1H470J	T	42.3/33
C912	4030017420	S.CER ECJ0EC1H470J	B	48/30.9
C915	4030017420	S.CER ECJ0EC1H470J	B	48.8/29.8
C919	4030017460	S.CER ECJ0EB1E102K	B	32.8/37.3
C950	4030016930	S.CER ECJ0EB1A104K	T	39.4/39.7
C951	4030016930	S.CER ECJ0EB1A104K	B	37.2/45.3
C952	4550007680	S.TAN TEESVP 0J 226M8R	T	36/45.6
C960	4030016930	S.CER ECJ0EB1A104K	T	39.4/38.8

[RF UNIT]

REF NO.	PARTS NO.	DESCRIPTION	M.	H/V LOCATION
C961	4030016930	S.CER ECJ0EB1A104K	T	35.1/34.4
C962	4030016930	S.CER ECJ0EB1A104K	B	34.7/37
C963	4030016930	S.CER ECJ0EB1A104K	B	33.7/37
C964	4030016930	S.CER ECJ0EB1A104K	T	31.2/37.4
C965	4030016930	S.CER ECJ0EB1A104K	T	32.2/45.3
C966	4030016930	S.CER ECJ0EB1A104K	T	33.1/45.3
C967	4030016930	S.CER ECJ0EB1A104K	T	32.7/34.4
C1000	4030017460	S.CER ECJ0EB1E102K	B	42.6/7
C1002	4030017460	S.CER ECJ0EB1E102K	B	46.5/2.4
C1004	4030017460	S.CER ECJ0EB1E102K	T	27/5.1
C1005	4030017460	S.CER ECJ0EB1E102K	B	36.2/9.7
C1006	4030017460	S.CER ECJ0EB1E102K	B	40.8/8.2
C1007	4510008540	S.ELF EEE1CA100SR	T	45.5/11.8
C1008	4030017460	S.CER ECJ0EB1E102K	B	39.6/9.5
C1009	4030017460	S.CER ECJ0EB1E102K	B	45.1/23.6
C1010	4030017350	S.CER ECJ0EC1H020B	T	35.7/8.1
J800	6510025370	S.CON AXK816145YG	T	38/21.9
J1000	6450000870	CON HEC2711-01-020		
J1001	6510024411	S.CON AXK6S30547YG	T	47.2/30.3
EP1	6910018460	S.BEA MMZ1005Y102C-T	B	6.7/9.7
EP100	6910014730	S.BEA MPZ2012S331A-T	T	14.6/4
EP101	6910012350	S.BEA MMZ1608Y 102BT	T	17.8/5.4
EP102	6910018460	S.BEA MMZ1005Y102C-T	T	37.1/9.3
EP150	6910018460	S.BEA MMZ1005Y102C-T	B	27.3/3
EP900	6910018460	S.BEA MMZ1005Y102C-T	T	40.3/14.4
EP1000	6910014730	S.BEA MPZ2012S331A-T	B	48.7/6
EP1001	6910014730	S.BEA MPZ2012S331A-T	B	42.7/5
EP1002	6910014730	S.BEA MPZ2012S331A-T	B	35.1/2.8
EP1003	6910014730	S.BEA MPZ2012S331A-T	T	26.4/3.7
MP100	8410002610	S.HEA 2888 PA HEATSINK Y835	B	14.6/9.4
MP101	6910014760	S.PLA OG-503040	B	32/10.9

M.=Mounted side (T: Mounted on the Top side, B: Mounted on the Bottom side)
S.=Surface mount

[VCO UNIT]

REF NO.	PARTS NO.	DESCRIPTION	M.	H/V LOCATION
Q1	1530003560	S.TRA 2SC5195-T1	T	10.4/16.5
Q2	1590003280	S.TRA UNR9211J-(TX)	T	4.6/15.1
Q51	1530003560	S.TRA 2SC5195-T1	T	14/9.6
Q52	1590003280	S.TRA UNR9211J-(TX)	T	18.1/17.4
Q101	1530003260	S.TRA 2SC5006-T1	T	9/2.5
Q102	1590003280	S.TRA UNR9211J-(TX)	T	19/1.8
Q200	1530003260	S.TRA 2SC5006-T1	T	8.8/10.9
Q201	1530003260	S.TRA 2SC5006-T1	T	3.8/3.5
Q202	1530003260	S.TRA 2SC5006-T1	T	5.6/11.4
D1	1750001270	S.VAR 1SV325(TPH3,F)	T	3.2/18
D2	1790001621	S.DIO 1SV308(TPL3,F)	T	7.1/16.3
D3	1750001270	S.VAR 1SV325(TPH3,F)	T	12.2/15.5
D4	1790001250	S.DIO MA2S111-(TX)	T	12.8/18.9
D5	1750001270	S.VAR 1SV325(TPH3,F)	T	4.4/17.3
D6	1750001270	S.VAR 1SV325(TPH3,F)	T	12.2/14.3
D51	1750000771	S.VAR HVC3765BTRF-E	T	16.5/14.2
D52	1790001260	S.DIO MA2S077-(TX)	T	14.6/17.7
D53	1790001250	S.DIO MA2S111-(TX)	T	12.4/7.4
D54	1750001270	S.VAR 1SV325(TPH3,F)	T	15.6/12.4
D55	1720000651	S.VAR 1SV286(TPH3,F)	T	17.4/10.6
D100	1720000651	S.VAR 1SV286(TPH3,F)	T	17.4/1.6
D101	1750000721	S.VAR HVC375BTRF-E	T	12.2/2.2
D102	1790001260	S.DIO MA2S077-(TX)	T	16.8/5.4
D103	1790001250	S.DIO MA2S111-(TX)	T	7.4/1.6
D104	1750000721	S.VAR HVC375BTRF-E	T	13.9/3.1
L2	6200011650	S.COI LQW18AN68NG00D	T	6.8/18.3
L3	6200011660	S.COI LQW18ANR15G00D	T	5/19.1
L52	6200010850	S.COI LQW18AN22NG00D (LQW1608A22NG00)	T	14.7/13.9
L53	6200012050	S.COI LQW18AN24NG00D	T	14.7/15.1
L101	6200011031	S.COI ELJRF R10JFB	T	7.6/3.5
L102	6200010120	S.COI LQW18AN5N6C00D	T	12.3/4.7
L103	6200012060	S.COI LQW18AN9N1D00D	T	14.1/5.4
L104	6200013430	S.COI MLG1005S R15J-T	T	
L200	6200010991	S.COI ELJRF 47NJFB	T	2.3/1.5
L201	6200011021	S.COI ELJRF 82NJFB	T	4/11.9
L202	6200007951	S.COI ELJRF 8N2JFB (8.2)	T	3.6/10.1
L203	6200007931	S.COI ELJRF 12NJFB	T	4.1/1.5
L204	6200007961	S.COI ELJRF 6N8JFB (6.8)	T	6.3/5
R1	7030005240	S.RES ERJ2GEJ 473 X (47K)	T	6.2/15
R2	7030007290	S.RES ERJ2GEJ 222 X (2.2K)	T	8/15
R3	7030004970	S.RES ERJ2GEJ 470 X (47)	T	10.7/18.8
R4	7030005050	S.RES ERJ2GEJ 103 X (10K)	T	10.7/17.9
R5	7030005050	S.RES ERJ2GEJ 103 X (10K)	T	9.1/18.8
R6	7030005710	S.RES ERJ2GEJ 121 X (120)	T	10/13.8
R7	7030005090	S.RES ERJ2GEJ 104 X (100K)	T	11.6/12.4
R8	7030005120	S.RES ERJ2GEJ 102 X (1K)	T	2.8/16.4
R9	7030010040	S.RES ERJ2GEJ-JPW	T	11.6/13.3
R10	7030007290	S.RES ERJ2GEJ 222 X (2.2K)	T	7.1/15
R50	7030005120	S.RES ERJ2GEJ 102 X (1K)	T	17.5/13.9
R51	7030005240	S.RES ERJ2GEJ 473 X (47K)	T	16.5/17.2
R52	7030007290	S.RES ERJ2GEJ 222 X (2.2K)	T	15.6/16.4
R53	7030004970	S.RES ERJ2GEJ 470 X (47)	T	12.8/8.4
R54	7030005210	S.RES ERJ2GEJ 822 X (8.2K)	T	15.5/9.5
R55	7030005050	S.RES ERJ2GEJ 103 X (10K)	T	16.4/9.5
R56	7030007270	S.RES ERJ2GEJ 151 X (150)	T	12.3/10.2
R58	7030005600	S.RES ERJ2GEJ 273 X (27K)	T	18.9/11.8
R59	7030005600	S.RES ERJ2GEJ 273 X (27K)	T	19.8/10.2
R60	7030007290	S.RES ERJ2GEJ 222 X (2.2K)	T	13.8/16.4
R61	7030007320	S.RES ERJ2GEJ 225 X (2.2M)	T	19.8/13.4
R62	7030005090	S.RES ERJ2GEJ 104 X (100K)	T	17.7/12.7
R101	7030005240	S.RES ERJ2GEJ 473 X (47K)	T	17.9/6.5
R102	7030007290	S.RES ERJ2GEJ 222 X (2.2K)	T	15.6/6.5
R104	7030007300	S.RES ERJ2GEJ 332 X (3.3K)	T	9.2/1
R105	7030005050	S.RES ERJ2GEJ 103 X (10K)	T	9/4.7
R106	7030004990	S.RES ERJ2GEJ 221 X (220)	T	10.2/5.6
R107	7030005090	S.RES ERJ2GEJ 104 X (100K)	T	18.2/7.4
R108	7030007320	S.RES ERJ2GEJ 225 X (2.2M)	T	16.6/7.4
R109	7030008410	S.RES ERJ2GEJ 392 X (3.9K)	T	16.6/8.3
R110	7030007340	S.RES ERJ2GEJ 153 X (15K)	T	18.9/10.2
R111	7030005120	S.RES ERJ2GEJ 102 X (1K)	T	15.2/3.3
R112	7030007290	S.RES ERJ2GEJ 222 X (2.2K)	T	16.6/4.1
R113	7030005040	S.RES ERJ2GEJ 472 X (4.7K)	T	20.2/16.2
R114	7030010040	S.RES ERJ2GEJ-JPW	T	19.4/3.4
R115	7030010040	S.RES ERJ2GEJ-JPW	T	17.8/3.4
R116	7030004980	S.RES ERJ2GEJ 101 X (100)	T	10/8.2
R200	7030009160	S.RES ERJ2GEJ 181 X (180)	T	7.5/13.2
R201	7030005070	S.RES ERJ2GEJ 683 X (68K)	T	9.5/9.4
R202	7030005300	S.RES ERJ2GEJ 150 X (15)	T	8.9/7
R203	7030005570	S.RES ERJ2GEJ 820 X (82)	T	7.7/8.2
R204	7030005570	S.RES ERJ2GEJ 820 X (82)	T	7.3/7
R205	7030004970	S.RES ERJ2GEJ 470 X (47)	T	2.1/2.7
R206	7030005060	S.RES ERJ2GEJ 333 X (33K)	T	5.3/3.9
R207	7030004970	S.RES ERJ2GEJ 470 X (47)	T	5.9/8.1
R208	7030005070	S.RES ERJ2GEJ 683 X (68K)	T	5.9/9
C1	4030017460	S.CER ECJ0EB1E102K	T	3.1/13.6
C3	4030017690	S.CER ECJ0EC1H121J	T	9.1/17.9
C4	4030016790	S.CER ECJ0EB1C103K	T	7.9/17.6
C5	4030016790	S.CER ECJ0EB1C103K	T	5.5/17
C6	4030017460	S.CER ECJ0EB1E102K	T	3.1/15.2

[VCO UNIT]

REF NO.	PARTS NO.	DESCRIPTION	M.	H/V LOCATION
C7	4030017460	S.CER ECJ0EB1E102K	T	12.8/17.5
C8	4030016790	S.CER ECJ0EB1C103K	T	11.9/17.5
C9	4030017680	S.CER ECJ0EC1H820J	T	8.8/16.6
C10	4030017460	S.CER ECJ0EB1E102K	T	10/14.7
C11	4030017350	S.CER ECJ0EC1H020B	T	10.3/11.9
C51	4030017460	S.CER ECJ0EB1E102K	T	18.9/13.8
C53	4030018070	S.CER ECJ0EC1H300J	T	15.5/11.1
C54	4030017460	S.CER ECJ0EB1E102K	T	14.7/16.4
C55	4030017460	S.CER ECJ0EB1E102K	T	17.5/15.7
C56	4030017460	S.CER ECJ0EB1E102K	T	19.6/17.7
C57	4030017460	S.CER ECJ0EB1E102K	T	12.3/9.3
C58	4030017460	S.CER ECJ0EB1E102K	T	14.9/8
C59	4030017650	S.CER ECJ0EC1H270J	T	13.9/11.1
C60	4030017420	S.CER ECJ0EC1H470J	T	13.4/12.3
C61	4030017540	S.CER ECJ0EC1HR75B	T	12.3/11.1
C62	4030016930	S.CER ECJ0EB1A104K	T	19.8/11.8
C63	4030017530	S.CER ECJ0EC1H0R5B	T	16.4/11.1
C101	4030017460	S.CER ECJ0EB1E102K	T	15.9/1.5
C102	4030017500	S.CER ECJ0EC1H560J	T	15.9/2.4
C103	4030017620	S.CER ECJ0EC1H100C	T	10.8/1.1
C104	4030017460	S.CER ECJ0EB1E102K	T	14/6.5
C105	4030017460	S.CER ECJ0EB1E102K	T	17.8/4.4
C106	4030017460	S.CER ECJ0EB1E102K	T	19.8/4.5
C107	4030017460	S.CER ECJ0EB1E102K	T	7.2/4.7
C108	4030017460	S.CER ECJ0EB1E102K	T	8.1/4.7
C109	4030017390	S.CER ECJ0EC1H180J	T	10.5/2.5
C110	4030017380	S.CER ECJ0EC1H050B	T	10.2/4.7
C111	4030017350	S.CER ECJ0EC1H020B	T	10.7/6.8
C112	4030017530	S.CER ECJ0EC1H0R5B	T	12.5/1.1
C114	4030017460	S.CER ECJ0EB1E102K	T	18/8.6
C115	4030016930	S.CER ECJ0EB1A104K	T	18.9/8.6
C116	4030017460	S.CER ECJ0EB1E102K	T	19.8/7.7
C117	4030018860	S.CER ECJ0EB0J105K	T	19.8/15
C118	4030017640	S.CER ECJ0EC1H150J	T	10.2/3.8
C200	4030017460	S.CER ECJ0EB1E102K	T	8.4/12.9
C201	4030017460	S.CER ECJ0EB1E102K	T	9.1/8.2
C202	4030017460	S.CER ECJ0EB1E102K	T	2.4/5.6
C203	4030017460	S.CER ECJ0EB1E102K	T	2.3/4.4
C204	4030017460	S.CER ECJ0EB1E102K	T	5.3/5.5
C205	4030017460	S.CER ECJ0EB1E102K	T	3.2/1.5
C206	4030017460	S.CER ECJ0EB1E102K	T	5.6/12.9
C207	4030017380	S.CER ECJ0EC1H050B	T	7.2/10.5
C208	4030017460	S.CER ECJ0EB1E102K	T	3.1/11.9
C209	4030017380	S.CER ECJ0EC1H050B	T	3.3/8.3
C210	4030017380	S.CER ECJ0EC1H050B	T	2.4/8.3
C211	4030017360	S.CER ECJ0EC1H030B	T	2.7/10.1
C213	4030017590	S.CER ECJ0EC1H070C	T	5.5/2.7
J1	6510025380	S.CON AXK716147G	B	4.8/10

M.=Mounted side (T: Mounted on the Top side, B: Mounted on the Bottom side)
S.=Surface mount

[MAIN UNIT]

REF NO.	PARTS NO.	DESCRIPTION	M.	H/V LOCATION
IC50	1110005230	S.IC UPC2757TB-E3	T	34.3/13.3
IC100	1110003201	S.IC TA31136FNG(EL)	T	12.4/39.2
IC150	1110006380	S.IC LM2904PWR	T	15.4/32.2
IC200	1110003201	S.IC TA31136FNG(EL)	B	23/15.2
IC250	1110006380	S.IC LM2904PWR	T	15.4/27
IC400	1130011671	S.IC MB15E03SLPFV1-G-ER-6E1	T	41.6/8.1
IC500	1130011770	S.IC CD4066BPWR	B	9.3/27.2
IC501	1110003800	S.IC NJM2904V-TE1-#FMZB	B	21.3/26.8
IC502	1110003800	S.IC NJM2904V-TE1-#FMZB	B	21.3/31.8
IC600	1190001350	S.IC M62364FP 600D	B	33/28.3
IC700	1130011770	S.IC CD4066BPWR	T	33.4/29.6
IC701	1130011760	S.IC CD4094BPWR	B	41.7/20.8
IC702	1130011760	S.IC CD4094BPWR	B	41.6/15.1
IC703	1130011770	S.IC CD4066BPWR	T	26.2/29.6
IC704	1110006380	S.IC LM2904PWR	B	44.7/41.5
Q1	1530002601	S.TRA 2SC4215-O(TE85R,F)	T	34.9/37.6
Q2	1530002601	S.TRA 2SC4215-O(TE85R,F)	T	29.9/39.7
Q100	1530002601	S.TRA 2SC4215-O(TE85R,F)	T	20/45.4
Q101	1590003280	S.TRA UNR9211J-(TX)	B	19.1/46.2
Q102	1590002380	S.TRA XP1115(TX)	B	18.9/43.6
Q103	1590001190	S.TRA XP6501-(TX).AB	B	7.5/46.2
Q104	1590001190	S.TRA XP6501-(TX).AB	B	6.4/41.3
Q105	1590003250	S.TRA UNR9115J-(TX)	B	8.8/40.8
Q150	1590003250	S.TRA UNR9115J-(TX)	T	22.6/36.1
Q151	1590003280	S.TRA UNR9211J-(TX)	T	24.9/36
Q200	1530002601	S.TRA 2SC4215-O(TE85R,F)	B	27.7/11
Q201	1590003290	S.TRA UNR9213J-(TX)	T	22.6/22
Q202	1590001190	S.TRA XP6501-(TX).AB	T	15.5/3.2
Q203	1590001190	S.TRA XP6501-(TX).AB	T	11/4.8
Q204	1590003250	S.TRA UNR9115J-(TX)	T	12.4/7.3
Q205	1590003250	S.TRA UNR9115J-(TX)	T	18.6/10
Q250	1590003250	S.TRA UNR9115J-(TX)	T	10.1/23.9
Q300	1590003230	S.TRA UNR9113J-(TX)	T	31.8/3.8
Q301	1530003560	S.TRA 2SC5195-T1	T	29.6/8.6
Q350	1590003230	S.TRA UNR9113J-(TX)	T	25.2/4.2
Q351	1530003560	S.TRA 2SC5195-T1	T	26.4/12.4
Q353	1530003260	S.TRA 2SC5006-T1	T	29.1/13.5
Q450	1530002601	S.TRA 2SC4215-O(TE85R,F)	T	46.3/16.3
Q451	1530002601	S.TRA 2SC4215-O(TE85R,F)	T	34.4/19.3
Q452	1530002601	S.TRA 2SC4215-O(TE85R,F)	T	36.3/22.7
Q453	1590002380	S.TRA XP1115(TX)	T	27.8/35.8
Q500	1590003280	S.TRA UNR9211J-(TX)	B	13.4/26.1
Q501	1590003280	S.TRA UNR9211J-(TX)	B	13.6/29.9
Q502	1530004000	S.TRA 2SC4738-GR(TE85L,F)	B	25.2/35.3
Q603	1590003250	S.TRA UNR9115J-(TX)	B	36/21.7
Q604	1590002380	S.TRA XP1115(TX)	B	35.4/19.3
Q650	1590003280	S.TRA UNR9211J-(TX)	B	49.6/6.3
Q651	1590001170	S.TRA XP1501-(TX).AB	B	47.9/9.7
Q652	1520000460	S.TRA 2SB1132 T100 R	B	49.3/17.3
Q700	1510001100	S.TRA 2SA1832-GR(TE85R,F)	B	48.3/39.1
Q701	1590003290	S.TRA UNR9213J-(TX)	B	50.5/41.2
D2	1750000361	S.DIO 1SS364(TE85L,F)	B	41.2/36.6
D3	1750000361	S.DIO 1SS364(TE85L,F)	T	23.3/46.4
D10	1750001210	S.DIO HSB88ASTR-E	T	34.9/40.2
D100	1790001240	S.DIO MA25728-(TX)	T	22.5/41.3
D102	1790000850	S.DIO MA132WK(TX)	T	4.9/42
D103	1790000850	S.DIO MA132WK(TX)	B	12.1/40.1
D104	1790001240	S.DIO MA25728-(TX)	B	5.4/44.5
D105	1790001250	S.DIO MA25111-(TX)	B	9.9/35.5
D200	1790001240	S.DIO MA25728-(TX)	B	29.9/12.8
D202	1750000361	S.DIO 1SS364(TE85L,F)	B	18.7/17.6
D203	1750000361	S.DIO 1SS364(TE85L,F)	B	19.3/11.4
D204	1790001240	S.DIO MA25728-(TX)	T	13.1/3.2
D205	1790001250	S.DIO MA25111-(TX)	T	6.5/9.8
D300	1750001270	S.VAR 1SV325(TPH3,F)	T	34.4/9.5
D301	1750000771	S.VAR HVC376BTRF-E	T	33.6/7.7
D350	1750000721	S.VAR HVC375BTRF-E	T	26.9/9
D351	1790000850	S.DIO MA132WK(TX)	T	27.9/7.3
D352	1750000721	S.VAR HVC375BTRF-E	T	25.1/8.5
D450	1750000361	S.DIO 1SS364(TE85L,F)	T	27.3/24.2
D451	1790001240	S.DIO MA25728-(TX)	T	50.4/10.8
D452	1790000850	S.DIO MA132WK(TX)	T	25.9/20.2
D700	1730002260	S.ZEN MA8030-H(TX)	T	32/34.2
FI1	2030000450	S.MON DSF753S 61.65 MHz(FL-394)	T	31.8/44.8
FI2	2020001800	S.CER SFCEV13M3DA0001-R0 (SFCEV13.35M)	T	25.1/40.7
FI50	2030000150	S.MON DSF753SB 46.350 MHz(FL-335)	B	32.1/5.7
FI100	2020002480	S.CER LTWC450E1 <JJE>	T	11.2/46.6
FI200	2020002480	S.CER LTWC450E1 <JJE>	B	11.4/15.7
FI201	2020002180	S.CER CFWKA450KHFA-R0	B	13.8/5.3
X100	6070000300	S.DIS JTBM450CX24 <JJE>	B	16.4/38.3
X200	6070000300	S.DIS JTBM450CX24 <JJE>	T	16.7/21.7
X450	6050012380	S.XTA CR-826 DSA535SD 15.3 MHz	T	47.9/8.9
L1	6200005140	S.COI MLF1608D R33K-T	T	32.8/40.1
L10	6200010381	S.COI ELJRE R15JFA	B	37.7/35.5
L30	6200009181	S.COI ELJRE R10JFA	B	34.7/35.5
L50	6200011021	S.COI ELJRF 82NJFB	T	31.1/14.6
L100	6200003630	S.COI MLF1608D R68K-T	T	19.9/43.5
L101	6200003131	S.COI NLV32T-120J	B	15.7/43.6
L200	6200003630	S.COI MLF1608D R68K-T	B	27.2/14.8
L301	6200011580	S.COI LQW18AN33NG00D	T	32.9/9.6

[MAIN UNIT]

REF NO.	PARTS NO.	DESCRIPTION	M.	H/V LOCATION
L351	6200009220	S.COI LQW18AN15NG00D (LQW1608A15NG00)	T	25.1/9.8
L450	6200005190	S.COI MLF1608D R56K-T	T	32.4/20.3
L451	6200005190	S.COI MLF1608D R56K-T	T	28.8/19.4
L452	6200004790	S.COI MLF1608D R47K-T	T	34.3/23.9
L453	6200004790	S.COI MLF1608D R47K-T	T	30.6/22.7
L454	6200004920	S.COI MLF1608A 2R2K-T	T	50/5.2
R6	7030007290	S.RES ERJ2GEJ 222 X (2.2K)	B	42.8/36.6
R7	7030007290	S.RES ERJ2GEJ 222 X (2.2K)	T	38.4/43.4
R8	7030007280	S.RES ERJ2GEJ 331 X (330)	T	37/43.1
R9	7030007280	S.RES ERJ2GEJ 331 X (330)	T	26.9/47
R10	7030007290	S.RES ERJ2GEJ 222 X (2.2K)	T	25/47.9
R11	7030007290	S.RES ERJ2GEJ 222 X (2.2K)	T	23.4/47.9
R14	7030005580	S.RES ERJ2GEJ 560 X (56)	B	39.7/35.8
R15	7030005170	S.RES ERJ2GEJ 474 X (470K)	T	33.2/37.9
R16	7030004980	S.RES ERJ2GEJ 101 X (100)	T	37.6/38.3
R17	7030005170	S.RES ERJ2GEJ 474 X (470K)	T	30.4/37.9
R18	7030007280	S.RES ERJ2GEJ 331 X (330)	T	28/39.1
R19	7030007290	S.RES ERJ2GEJ 222 X (2.2K)	T	23.8/44.9
R23	7030010040	S.RES ERJ2GEJ-JPW	T	28/37.5
R24	7030007280	S.RES ERJ2GEJ 331 X (330)	T	25.9/45.7
R25	7030005290	S.RES ERJ2GEJ 682 X (6.8K)	T	32/37.8
R51	7030007270	S.RES ERJ2GEJ 151 X (150)	B	35.3/9.3
R52	7030009160	S.RES ERJ2GEJ 181 X (180)	B	26.9/7.8
R55	7030005120	S.RES ERJ2GEJ 102 X (1K)	B	50.6/37
R100	7030007340	S.RES ERJ2GEJ 153 X (15K)	T	20.5/42.1
R101	7030005290	S.RES ERJ2GEJ 682 X (6.8K)	T	21.4/42.1
R102	7030004990	S.RES ERJ2GEJ 221 X (220)	T	21.7/47.5
R104	7030004990	S.RES ERJ2GEJ 221 X (220)	T	19.6/42.1
R105	7030007570	S.RES ERJ2GEJ 122 X (1.2K)	B	16.1/47.4
R106	7030005120	S.RES ERJ2GEJ 102 X (1K)	T	17.6/37.9
R107	7030005240	S.RES ERJ2GEJ 473 X (47K)	T	18.8/39.5
R108	7030005030	S.RES ERJ2GEJ 152 X (1.5K)	T	7.7/39.3
R111	7030005100	S.RES ERJ2GEJ 154 X (150K)	T	9.1/35.2
R112	7030005120	S.RES ERJ2GEJ 102 X (1K)	T	7.5/35.2
R113	7030005310	S.RES ERJ2GEJ 124 X (120K)	T	8.2/37.4
R114	7030008010	S.RES ERJ2GEJ 123 X (12K)	T	3.5/41.8
R115	7030008010	S.RES ERJ2GEJ 123 X (12K)	T	6.7/42
R116	7030008010	S.RES ERJ2GEJ 123 X (12K)	B	11.1/41.6
R117	7030005120	S.RES ERJ2GEJ 102 X (1K)	B	11.4/42.9
R118	7030008010	S.RES ERJ2GEJ 123 X (12K)	B	12.6/37.1
R119	7030008010	S.RES ERJ2GEJ 123 X (12K)	B	11.7/37.1
R120	7030005030	S.RES ERJ2GEJ 152 X (1.5K)	B	8.5/43.3
R121	7030005120	S.RES ERJ2GEJ 102 X (1K)	B	6.9/43.3
R122	7030005220	S.RES ERJ2GEJ 224 X (22K)	B	6.9/44.3
R123	7030005100	S.RES ERJ2GEJ 154 X (150K)	B	9.3/45.7
R124	7030005240	S.RES ERJ2GEJ 473 X (47K)	B	4.7/42.4
R125	7030005700	S.RES ERJ2GEJ 274 X (270K)	B	4.7/40.3
R126	7030005110	S.RES ERJ2GEJ 224 X (220K)	B	7.8/39.1
R127	7030005040	S.RES ERJ2GEJ 472 X (4.7K)	B	7.8/37.0
R129	7030004980	S.RES ERJ2GEJ 101 X (100)	B	4.3/44.1
R130	7030007340	S.RES ERJ2GEJ 153 X (15K)	B	10.2/45.7
R131	7030005040	S.RES ERJ2GEJ 472 X (4.7K)	B	9.9/37.4
R132	7030005050	S.RES ERJ2GEJ 103 X (10K)	B	7.8/35.5
R133	7030005220	S.RES ERJ2GEJ 223 X (22K)	B	8.3/34.3
R150	7030005050	S.RES ERJ2GEJ 103 X (10K)	T	20.2/30.1
R151	7030005090	S.RES ERJ2GEJ 104 X (100K)	T	22.1/29.6
R152	7030005080	S.RES ERJ2GEJ 823 X (82K)	T	8.2/30.3
R153	7030005080	S.RES ERJ2GEJ 823 X (82K)	T	9.1/32
R154	7030005080	S.RES ERJ2GEJ 823 X (82K)	T	10.5/32.2
R155	7030005230	S.RES ERJ2GEJ 334 X (330K)	T	9.1/30.3
R156	7030005100	S.RES ERJ2GEJ 154 X (150K)	T	18.6/30.1
R157	7030005070	S.RES ERJ2GEJ 683 X (68K)	T	20.2/33.7
R158	7030005240	S.RES ERJ2GEJ 473 X (47K)	T	19.8/32.3
R159	7030005160	S.RES ERJ2GEJ 105 X (1M)	T	20.7/32.3
R200	7030007340	S.RES ERJ2GEJ 153 X (15K)	B	28.1/13.3
R201	7030005290	S.RES ERJ2GEJ 682 X (6.8K)	B	29.2/9.1
R202	7030004990	S.RES ERJ2GEJ 221 X (220)	B	29.7/10
R204	7030004990	S.RES ERJ2GEJ 221 X (220)	B	29.3/14.8
R205	7030007290	S.RES ERJ2GEJ 222 X (2.2K)	B	21/21.4
R206	7030008400	S.RES ERJ2GEJ 182 X (1.8K)	T	21.8/20.2
R207	7030004980	S.RES ERJ2GEJ 101 X (100)	T	13.3/5.8
R209	7030005240	S.RES ERJ2GEJ 473 X (47K)	B	22.2/21
R210	7030005030	S.RES ERJ2GEJ 152 X (1.5K)	B	23.7/10.9
R214	7030005100	S.RES ERJ2GEJ 154 X (150K)	B	17.6/14.8
R215	7030005120	S.RES ERJ2GEJ 102 X (1K)	B	17.6/13.9
R216	7030005310	S.RES ERJ2GEJ 124 X (120K)	B	19.7/13.5
R217	7030005120	S.RES ERJ2GEJ 102 X (1K)	T	14.7/5.5
R218	7030005030	S.RES ERJ2GEJ 152 X (1.5K)	T	15.9/6
R219	7030005220	S.RES ERJ2GEJ 223 X (22K)	T	13.8/4.6
R220	7030005100	S.RES ERJ2GEJ 154 X (150K)	T	17.3/4.6
R221	7030005240	S.RES ERJ2GEJ 473 X (47K)	T	10.4/7.1
R223	7030005110	S.RES ERJ2GEJ 224 X (220K)	T	9.2/4.8
R224	7030005700	S.RES ERJ2GEJ 274 X (270K)	T	9.7/2.8
R225	7030005040	S.RES ERJ2GEJ 472 X (4.7K)	T	6.9/7.5
R227	7030008410	S.RES ERJ2GEJ 392 X (3.9K)	B	19.7/19.3
R228	7030008010	S.RES ERJ2GEJ 123 X (12K)	B	17/11.2
R229	7030008010	S.RES ERJ2GEJ 123 X (12K)	B	17/10.3
R230	7030008010	S.RES ERJ2GEJ 123 X (12K)	B	18.8/19.3
R231	7030008410	S.RES ERJ2GEJ 392 X (3.9K)	B	19.9/9.6
R232	7030008010	S.RES ERJ2GEJ 123 X (12K)	B	17.9/19.3
R233	7030007340	S.RES ERJ2GEJ 153 X (15K)	T	17.3/3
R234	7030005220	S.RES ERJ2GEJ 223 X (22K)	T	5.4/11
R250	7030005050	S.RES ERJ2GEJ 103 X (10K)	T	21.4/25.1
R251	7030005090	S.RES ERJ2GEJ 104 X (100K)	T	23/25.1
R252	7030005080	S.RES ERJ2GEJ 823 X (82K)	T	8.3/26
R253	7030005080	S.RES		

[MAIN UNIT]

REF NO.	PARTS NO.	DESCRIPTION	M.	H/V LOCATION
R254	7030005080	S.RES ERJ2GEJ 823 X (82K)	T	10.1/28.3
R255	7030005230	S.RES ERJ2GEJ 334 X (330K)	T	9.2/26.7
R256	7030005100	S.RES ERJ2GEJ 154 X (150K)	T	12.2/28.9
R257	7030005070	S.RES ERJ2GEJ 683 X (68K)	T	20.2/28.5
R258	7030005240	S.RES ERJ2GEJ 473 X (47K)	T	19.8/27.2
R259	7030005160	S.RES ERJ2GEJ 105 X (1M)	T	20.7/27.2
R300	7030004970	S.RES ERJ2GEJ 470 X (47)	T	29.3/5
R301	7030005290	S.RES ERJ2GEJ 682 X (6.8K)	T	29.7/7
R302	7030005050	S.RES ERJ2GEJ 103 X (10K)	T	31.5/9.2
R303	7030007270	S.RES ERJ2GEJ 151 X (150)	T	31.5/11
R304	7030005120	S.RES ERJ2GEJ 102 X (1K)	T	35.3/7.8
R305	7030005040	S.RES ERJ2GEJ 472 X (4.7K)	T	9/8.8
R306	7030005050	S.RES ERJ2GEJ 103 X (10K)	T	6.9/11.4
R350	7030004970	S.RES ERJ2GEJ 470 X (47)	T	25/6.6
R351	7030005290	S.RES ERJ2GEJ 682 X (6.8K)	T	26.1/10.8
R352	7030005050	S.RES ERJ2GEJ 103 X (10K)	T	24.5/12.7
R353	7030007280	S.RES ERJ2GEJ 331 X (330)	T	24.5/13.6
R354	7030007270	S.RES ERJ2GEJ 151 X (150)	T	30.2/12.2
R355	7030005070	S.RES ERJ2GEJ 683 X (68K)	T	29.2/14.9
R356	7030005120	S.RES ERJ2GEJ 102 X (1K)	T	26.3/7
R400	7030005120	S.RES ERJ2GEJ 102 X (1K)	T	42.8/3.8
R401	7030005120	S.RES ERJ2GEJ 102 X (1K)	T	42.8/23.3
R402	7030005120	S.RES ERJ2GEJ 102 X (1K)	T	45.3/3.4
R403	7030005120	S.RES ERJ2GEJ 102 X (1K)	T	45.3/2.5
R404	7030009270	S.RES ERJ2GEJ 821 X (82K)	B	43.1/9.6
R405	7030008250	S.RES RR0510P-562-D (5.6K)	B	39.5/7.9
R406	7030011170	S.RES RR0510P-471-D (470)	B	40/9.1
R410	7030005580	S.RES ERJ2GEJ 560 X (56)	B	39.3/15
R450	7030006610	S.RES ERJ2GEJ 394 X (390K)	T	50.2/12.4
R451	7030007340	S.RES ERJ2GEJ 153 X (15K)	T	49/12.9
R452	7030005100	S.RES ERJ2GEJ 154 X (150K)	T	46.9/14.2
R453	7030005700	S.RES ERJ2GEJ 274 X (270K)	T	48.1/12.9
R455	7030004980	S.RES ERJ2GEJ 101 X (100)	T	43.2/15.9
R456	7030005070	S.RES ERJ2GEJ 683 X (68K)	T	44.5/15.8
R457	7030005080	S.RES ERJ2GEJ 823 X (82K)	T	48.3/16.8
R458	7030005120	S.RES ERJ2GEJ 102 X (1K)	T	48.3/15.9
R459	7030005000	S.RES ERJ2GEJ 471 X (470)	T	36.3/20.1
R460	7030005090	S.RES ERJ2GEJ 104 X (100K)	T	30.3/20
R470	7030005000	S.RES ERJ2GEJ 471 X (470)	T	32.2/24
R471	7030005110	S.RES ERJ2GEJ 224 X (220K)	T	36.5/24.5
R472	7030007290	S.RES ERJ2GEJ 222 X (2.2K)	T	27.5/22.7
R473	7030007290	S.RES ERJ2GEJ 222 X (2.2K)	T	29.3/24.8
R474	7030007290	S.RES ERJ2GEJ 222 X (2.2K)	T	25.7/23.8
R500	7030005090	S.RES ERJ2GEJ 104 X (100K)	B	9.9/22.6
R501	7030005120	S.RES ERJ2GEJ 102 X (1K)	B	13.7/24.5
R502	7030008010	S.RES ERJ2GEJ 123 X (12K)	B	15/27.9
R503	7030007340	S.RES ERJ2GEJ 153 X (15K)	B	15.9/27.9
R504	7030007060	S.RES ERJ2GEJ 684X (680K)	B	16.8/25.4
R505	7030005110	S.RES ERJ2GEJ 224 X (220K)	B	20.4/24.3
R506	7030005090	S.RES ERJ2GEJ 104 X (100K)	B	14.1/28
R507	7030005220	S.RES ERJ2GEJ 223 X (22K)	B	15.7/23.8
R508	7030005220	S.RES ERJ2GEJ 223 X (22K)	B	26/25.9
R509	7030005220	S.RES ERJ2GEJ 223 X (22K)	B	26/27.8
R550	7030005090	S.RES ERJ2GEJ 104 X (100K)	B	13.2/33.5
R551	7030005120	S.RES ERJ2GEJ 102 X (1K)	B	13.2/31.8
R552	7030008010	S.RES ERJ2GEJ 123 X (12K)	B	14.2/33.5
R553	7030007340	S.RES ERJ2GEJ 153 X (15K)	B	15.1/33.5
R554	7030007060	S.RES ERJ2GEJ 684X (680K)	B	16.3/31.3
R555	7030005110	S.RES ERJ2GEJ 224 X (220K)	B	21.3/29.3
R556	7030005090	S.RES ERJ2GEJ 104 X (100K)	B	16/33.5
R557	7030005220	S.RES ERJ2GEJ 223 X (22K)	B	16.7/29.9
R558	7030005220	S.RES ERJ2GEJ 223 X (22K)	B	26/30.8
R559	7030005220	S.RES ERJ2GEJ 223 X (22K)	B	26/32.6
R560	7030005100	S.RES ERJ2GEJ 154 X (150K)	B	20.6/34.4
R562	7030005160	S.RES ERJ2GEJ 105 X (1M)	B	22/35.6
R563	7030008280	S.RES ERJ2GEJ 271 X (270)	B	26.7/35.6
R564	7030005170	S.RES ERJ2GEJ 474 X (470K)	B	23.8/35.6
R565	7030007290	S.RES ERJ2GEJ 222 X (2.2K)	B	26.8/34.3
R566	7030005040	S.RES ERJ2GEJ 472 X (4.7K)	B	27.6/30.8
R567	7030005050	S.RES ERJ2GEJ 103 X (10K)	B	27.6/31.7
R600	7030005050	S.RES ERJ2GEJ 103 X (10K)	B	28.1/27.5
R601	7030005160	S.RES ERJ2GEJ 105 X (1M)	B	28.7/33.5
R602	7030005160	S.RES ERJ2GEJ 105 X (1M)	B	32.3/25.4
R603	7030005050	S.RES ERJ2GEJ 103 X (10K)	B	27.2/27.8
R604	7030005160	S.RES ERJ2GEJ 105 X (1M)	B	27.2/26.2
R650	7030005160	S.RES ERJ2GEJ 105 X (1M)	B	47.2/5.8
R651	7030005050	S.RES ERJ2GEJ 103 X (10K)	B	47.2/7.4
R652	7030005000	S.RES ERJ2GEJ 471 X (470)	B	48.1/7.4
R653	7030005050	S.RES ERJ2GEJ 103 X (10K)	B	50.6/8.1
R654	7030005040	S.RES ERJ2GEJ 472 X (4.7K)	B	49.7/9.7
R700	7030005120	S.RES ERJ2GEJ 102 X (1K)	B	5.3/28.5
R702	7030005220	S.RES ERJ2GEJ 223 X (22K)	B	16.1/22.1
R703	7030005040	S.RES ERJ2GEJ 472 X (4.7K)	B	17/23.3
R706	7030005950	S.RES RR0510P-123-D (12K)	B	43.1/38.8
R707	7030005950	S.RES RR0510P-123-D (12K)	B	42.2/38.8
R708	7030008270	S.RES RR0510P-104-D (100K)	B	41.3/38.8
R709	7030008270	S.RES RR0510P-104-D (100K)	B	44/38.8
R710	7030005050	S.RES ERJ2GEJ 103 X (10K)	B	49.8/39.3
R711	7030005050	S.RES ERJ2GEJ 103 X (10K)	B	50.7/39.3
R713	7030005050	S.RES ERJ2GEJ 103 X (10K)	B	35.2/34.4
R714	7030005840	S.RES RR0510P-473-D (47K)	B	40.4/40.4
R715	7030005840	S.RES RR0510P-473-D (47K)	B	40.4/42
C3	4030016790	S.CER ECJ0EB1C103K	B	44/36.8
C4	4030016790	S.CER ECJ0EB1C103K	T	38/42.1
C5	4030017580	S.CER ECJ0EC1H060C	T	36.6/44.3
C6	4030017630	S.CER ECJ0EC1H120J	T	30.3/41.6
C7	4030017580	S.CER ECJ0EC1H060C	T	26.9/45.7

[MAIN UNIT]

REF NO.	PARTS NO.	DESCRIPTION	M.	H/V LOCATION
C8	4030016790	S.CER ECJ0EB1C103K	T	25.3/47
C9	4030016790	S.CER ECJ0EB1C103K	T	21.8/45.4
C10	4030017620	S.CER ECJ0EC1H100C	B	33.7/35.7
C12	4030016790	S.CER ECJ0EB1C103K	T	36.7/38.3
C13	4030017430	S.CER ECJ0EC1H101J	T	31.7/39
C14	4030017460	S.CER ECJ0EB1E102K	T	32/36.9
C15	4030016790	S.CER ECJ0EB1C103K	T	28/40.7
C16	4030016930	S.CER ECJ0EB1A104K	T	29.2/37.7
C17	4030016930	S.CER ECJ0EB1A104K	T	25/45.7
C18	4030017380	S.CER ECJ0EC1H050B	B	36.2/34.6
C19	4030017510	S.CER ECJ0EC1H680J	B	35.8/35.8
C20	4030017510	S.CER ECJ0EC1H680J	B	36.7/35.8
C24	4030017780	S.CER ECJ0EB1E472K	T	27.3/47.9
C25	4030017780	S.CER ECJ0EB1E472K	T	22.6/43.8
C26	4030017780	S.CER ECJ0EB1E472K	B	38.8/35.8
C29	4030017780	S.CER ECJ0EB1E472K	T	37.5/44.3
C30	4030016790	S.CER ECJ0EB1C103K	B	39.2/34.6
C50	4030017510	S.CER ECJ0EC1H680J	T	32.3/14.2
C51	4030017620	S.CER ECJ0EC1H100C	T	32.3/12.6
C52	4030017460	S.CER ECJ0EB1E102K	T	34.7/15.2
C54	4030016790	S.CER ECJ0EB1C103K	T	34.6/11.4
C56	4030017570	S.CER ECJ0EC1H040B	B	36.7/7.5
C57	4030017390	S.CER ECJ0EC1H180J	B	33.8/2.4
C58	4030017570	S.CER ECJ0EC1H040B	B	27.6/5.7
C59	4030016790	S.CER ECJ0EB1C103K	B	27.4/9.1
C60	4030017510	S.CER ECJ0EC1H680J	T	32.3/15.1
C61	4030017620	S.CER ECJ0EC1H100C	B	51.5/36.3
C102	4030016790	S.CER ECJ0EB1C103K	T	20.8/47.5
C104	4030017460	S.CER ECJ0EB1E102K	T	19.9/47.5
C105	4030016790	S.CER ECJ0EB1C103K	T	18.7/42.1
C106	4030017460	S.CER ECJ0EB1E102K	B	17.7/46.5
C108	4030017510	S.CER ECJ0EC1H680J	B	16.1/46.5
C109	4030018140	S.CER ECJ0EB1H391K	B	16.1/45.6
C111	4030017680	S.CER ECJ0EC1H820J	T	16.7/37.9
C112	4030017430	S.CER ECJ0EC1H101J	T	16.7/40
C113	4030016790	S.CER ECJ0EB1C103K	T	18.8/40.4
C114	4550006010	S.TAN TEESVA OG 106M8R	T	20.7/38.3
C115	4030016930	S.CER ECJ0EB1A104K	T	18.8/36.7
C116	4030016930	S.CER ECJ0EB1A104K	T	18.8/37.6
C117	4030017040	S.CER ECJ0EB1A333K	T	17.6/40
C118	4030017460	S.CER ECJ0EB1E102K	T	17.1/36.7
C119	4030017460	S.CER ECJ0EB1E102K	T	17.1/35.8
C120	4030017460	S.CER ECJ0EB1E102K	T	10.3/35.7
C121	4030017730	S.CER ECJ0EB1E471K	T	9.1/36.1
C122	4030017730	S.CER ECJ0EB1E471K	T	7.5/36.1
C123	4030016930	S.CER ECJ0EB1A104K	T	7.7/40.2
C124	4030016930	S.CER ECJ0EB1A104K	B	11.9/38.5
C125	4030016930	S.CER ECJ0EB1A104K	T	11.2/35.7
C126	4030017430	S.CER ECJ0EC1H101J	B	10.6/40.4
C127	4030018900	S.CER ECJ0EB0J474K	B	5.8/46.7
C128	4030016790	S.CER ECJ0EB1C103K	B	8.5/44.3
C129	4030017460	S.CER ECJ0EB1E102K	B	3.8/42.4
C130	4550006120	S.TAN TEESVA OG 226M8R	B	2.2/41.2
C131	4030016930	S.CER ECJ0EB1A104K	B	9.9/38.3
C132	4030017460	S.CER ECJ0EB1E102K	B	9.9/39.2
C133	4030017460	S.CER ECJ0EB1E102K	B	3.8/40.3
C134	4030016790	S.CER ECJ0EB1C103K	B	7.8/36.4
C135	4030018860	S.CER ECJ0EB0J105K	B	8.3/32.6
C136	4030016930	S.CER ECJ0EB1A104K	T	4.5/44
C137	4030016930	S.CER ECJ0EB1A104K	B	12.3/42
C138	4030016790	S.CER ECJ0EB1C103K	T	13.7/35.9
C142	4030017430	S.CER ECJ0EC1H101J	B	9.7/43.8
C143	4030018860	S.CER ECJ0EB0J105K	B	9.9/36.5
C144	4030018860	S.CER ECJ0EB0J105K	B	7.8/38.2
C150	4030017770	S.CER ECJ0EB1E332K	T	21.6/30.8
C151	4030017720	S.CER ECJ0EB1H331K	T	22.5/30.8
C152	4030016940	S.CER ECJ0EB1A393K	T	8.2/32
C153	4030017910	S.CER ECJ0EB1H152K	T	10.9/31
C154	4030016930	S.CER ECJ0EB1A104K	T	10.5/33.1
C155	4030018860	S.CER ECJ0EB0J105K	T	16/29.8
C156	4030016930	S.CER ECJ0EB1A104K	T	10/30.3
C157	4030016930	S.CER ECJ0EB1A104K	T	21.8/33.7
C158	4030017430	S.CER ECJ0EC1H101J	T	20.2/31
C159	4030017460	S.CER ECJ0EB1E102K	T	25.9/34.5
C160	4030017460	S.CER ECJ0EB1E102K	T	22.2/34.7
C203	4030016790	S.CER ECJ0EB1C103K	B	29.7/10.9
C204	4030017460	S.CER ECJ0EB1E102K	B	29.7/11.8
C205	4030016790	S.CER ECJ0EB1C103K	B	26.4/16.3
C206	4030016930	S.CER ECJ0EB1A104K	T	21.3/23.6
C207	4030017680	S.CER ECJ0EC1H820J	B	21.8/19.4
C208	4030016930	S.CER ECJ0EB1A104K	T	21.4/19
C210	4030017460	S.CER ECJ0EB1E102K	T	22.9/23.6
C211	4030017430	S.CER ECJ0EC1H101J	B	24.1/20.3
C212	4030017040	S.CER ECJ0EB1A333K	B	23.4/19.4
C213	4030016790	S.CER ECJ0EB1C103K	B	26.2/19.9
C214	4550006010	S.TAN TEESVA OG 106M8R	B	26.6/22.1
C215	4030016930	S.CER ECJ0EB1A104K	B	25.3/19.9
C216	4030016930	S.CER ECJ0EB1A104K	B	24.1/9.6
C218	4030017460	S.CER ECJ0EB1E102K	B	19.7/20.9
C219	4030017460	S.CER ECJ0EB1E		

[MAIN UNIT]

REF NO.	PARTS NO.	DESCRIPTION	M.	H/V LOCATION
C227	4030018900	S.CER ECJ0EB0J474K	T	12.9/4.6
C228	4030016790	S.CER ECJ0EB1C103K	T	15.9/5.1
C229	4030017460	S.CER ECJ0EB1E102K	T	11.5/2.8
C230	4550006120	S.TAN TEESVA 0G 226M8R	B	6.4/3.6
C231	4030017460	S.CER ECJ0EB1E102K	T	10.6/2.8
C232	4030016790	S.CER ECJ0EB1C103K	T	7.8/7.5
C233	4030018860	S.CER ECJ0EB0J105K	T	5.9/12.3
C234	4030016930	S.CER ECJ0EB1A104K	T	15/7.8
C235	4030017460	S.CER ECJ0EB1E102K	T	15/6.9
C236	4030016930	S.CER ECJ0EB1A104K	B	17/12.1
C237	4030016930	S.CER ECJ0EB1A104K	B	18.5/9.7
C238	4030016930	S.CER ECJ0EB1A104K	B	16.6/16.9
C239	4030016930	S.CER ECJ0EB1A104K	B	16.1/20.2
C240	4030016930	S.CER ECJ0EB1A104K	B	17.9/20.9
C241	4030016930	S.CER ECJ0EB1A104K	B	16.7/18.1
C243	4030017780	S.CER ECJ0EB1E472K	B	18.8/20.9
C244	4030017780	S.CER ECJ0EB1E472K	B	17/20.2
C250	4030017770	S.CER ECJ0EB1E332K	T	21.7/26.4
C251	4030017720	S.CER ECJ0EB1H331K	T	22.6/26.4
C252	4030016940	S.CER ECJ0EB1A393K	T	7.4/26
C253	4030017910	S.CER ECJ0EB1H152K	T	11/26.7
C254	4030016930	S.CER ECJ0EB1A104K	T	11/28.3
C255	4030018860	S.CER ECJ0EB0J105K	T	12/25.1
C256	4030016930	S.CER ECJ0EB1A104K	T	10.1/26
C257	4030016930	S.CER ECJ0EB1A104K	T	21.9/27.7
C258	4030017430	S.CER ECJ0EC1H101J	T	20.1/25.9
C259	4030017460	S.CER ECJ0EB1E102K	T	10.6/21.8
C260	4030017460	S.CER ECJ0EB1E102K	T	9.6/21.8
C261	4030018860	S.CER ECJ0EB0J105K	T	9/7.9
C262	4030018860	S.CER ECJ0EB0J105K	T	7/7.10.1
C263	4030017460	S.CER ECJ0EB1E102K	B	43.5/11.8
C300	4030017460	S.CER ECJ0EB1E102K	T	33.9/4.2
C301	4030017460	S.CER ECJ0EB1E102K	T	33.9/3.3
C302	4550006010	S.TAN TEESVA 0G 106M8R	T	32.3/5.9
C303	4030017460	S.CER ECJ0EB1E102K	T	31.5/8.3
C305	4030017640	S.CER ECJ0EC1H150J	T	31.5/7.4
C306	4030017650	S.CER ECJ0EC1H270J	T	30.2/10.6
C307	4030017420	S.CER ECJ0EC1H470J	T	31.5/10.1
C308	4030017340	S.CER ECJ0EC1H010B	T	28.9/10.7
C309	4030017400	S.CER ECJ0EC1H220J	T	25/7.5
C350	4030017460	S.CER ECJ0EB1E102K	T	27.3/4.7
C351	4030017460	S.CER ECJ0EB1E102K	T	27.3/3.7
C352	4030017460	S.CER ECJ0EB1E102K	T	25/5.6
C353	4030017430	S.CER ECJ0EC1H101J	T	24.5/10.8
C355	4030017640	S.CER ECJ0EC1H150J	T	27.3/11.1
C356	4030017630	S.CER ECJ0EC1H120J	T	26.4/14
C357	4030017390	S.CER ECJ0EC1H180J	T	24.5/11.8
C358	4030017550	S.CER ECJ0EC1H1R5B	T	27.5/14.9
C359	4030017460	S.CER ECJ0EB1E102K	T	31.1/13
C360	4030017460	S.CER ECJ0EB1E102K	T	28.9/12
C400	4030018890	S.CER ECJ0EB0J224K	T	41.2/14
C401	4030017460	S.CER ECJ0EB1E102K	T	41.2/14.9
C402	4030018890	S.CER ECJ0EB0J224K	T	41.2/16.7
C403	4030017460	S.CER ECJ0EB1E102K	T	41.2/15.8
C404	4030017460	S.CER ECJ0EB1E102K	T	40.2/12.8
C405	4030016790	S.CER ECJ0EB1C103K	T	44.5/14.2
C406	4030017420	S.CER ECJ0EC1H470J	T	41.2/3.5
C407	4030017420	S.CER ECJ0EC1H470J	T	41.2/2.6
C408	4030017420	S.CER ECJ0EC1H470J	T	45.3/4.3
C409	4030017420	S.CER ECJ0EC1H470J	T	45.3/1.6
C410	4030016930	S.CER ECJ0EB1A104K	T	41.4/12.8
C411	4550005980	S.TAN TEESVA 1A 475M8R	B	43.6/6.8
C412	4340000260	S.MYL ECPU1C104MA5	T	35.6/5.3
C414	4550007610	S.TAN F931E474MAABMA	B	41.5/6.6
C415	4030017620	S.CER ECJ0EC1H100C	B	40/6.5
C416	4030017460	S.CER ECJ0EB1E102K	T	39.3/13.4
C450	4030016930	S.CER ECJ0EB1A104K	T	50.3/8.7
C451	4030017460	S.CER ECJ0EB1E102K	T	50.6/6.6
C452	4030018860	S.CER ECJ0EB0J105K	T	49/14.5
C453	4030017460	S.CER ECJ0EB1E102K	T	46.9/12.4
C454	4030017460	S.CER ECJ0EB1E102K	T	46.9/13.3
C455	4030016790	S.CER ECJ0EB1C103K	T	48.3/17.7
C456	4030016790	S.CER ECJ0EB1C103K	T	48.3/18.6
C457	4030017460	S.CER ECJ0EB1E102K	T	27.5/21.1
C458	4030016790	S.CER ECJ0EB1C103K	T	31.7/18.9
C459	4030017430	S.CER ECJ0EC1H101J	T	37.5/19.5
C460	4030017390	S.CER ECJ0EC1H180J	T	32.6/18.9
C461	4030017360	S.CER ECJ0EC1H030B	T	30.8/18.9
C462	4030017630	S.CER ECJ0EC1H120J	T	29.9/18.9
C463	4030017570	S.CER ECJ0EC1H040B	T	27.8/19.5
C464	4030017460	S.CER ECJ0EB1E102K	T	29.4/22.7
C465	4030016790	S.CER ECJ0EB1C103K	T	33.5/22.6
C466	4030017420	S.CER ECJ0EC1H470J	T	37.6/20.8
C467	4030017630	S.CER ECJ0EC1H120J	T	34.4/22.6
C468	4030017350	S.CER ECJ0EC1H020B	T	32.6/22.7
C469	4030017600	S.CER ECJ0EC1H080C	T	31.7/22.7
C470	4030017570	S.CER ECJ0EC1H040B	T	29.3/23.9
C471	4030017420	S.CER ECJ0EC1H470J	T	49.6/16.9
C472	4030017460	S.CER ECJ0EB1E102K	T	30/36.3
C473	4030016790	S.CER ECJ0EB1C103K	T	48.3/19.5
C474	4030017780	S.CER ECJ0EB1E472K	T	30/35.4
C475	4030017780	S.CER ECJ0EB1E472K	T	25.7/21.6
C476	4030017620	S.CER ECJ0EC1H100C	T	47.4/5.1
C477	4030017500	S.CER ECJ0EC1H560J	T	48.3/5.1
C478	4030017440	S.CER ECJ0EC1H221J	T	51.2/8.7
C479	4030018860	S.CER ECJ0EB0J105K	T	48.1/14.5
C500	4030016930	S.CER ECJ0EB1A104K	B	5.8/27.2

[MAIN UNIT]

REF NO.	PARTS NO.	DESCRIPTION	M.	H/V LOCATION
C501	4030017460	S.CER ECJ0EB1E102K	B	5.8/28.1
C502	4030017460	S.CER ECJ0EB1E102K	B	8.6/22.6
C503	4030017460	S.CER ECJ0EB1E102K	B	5.8/29.9
C504	4030016930	S.CER ECJ0EB1A104K	B	15/25.4
C505	4030016790	S.CER ECJ0EB1C103K	B	15.4/26.6
C506	4030017790	S.CER ECJ0EB1E682K	B	15.9/25.4
C507	4030018920	S.CER ECJ0EB1H392K	B	16.8/27
C508	4030016930	S.CER ECJ0EB1A104K	B	13.2/27.9
C509	4030016930	S.CER ECJ0EB1A104K	B	18.1/28.6
C510	4030016790	S.CER ECJ0EB1C103K	B	14.5/23.6
C512	4030017790	S.CER ECJ0EB1E682K	B	26/26.9
C513	4030017910	S.CER ECJ0EB1H152K	B	24.7/28.6
C514	4030016930	S.CER ECJ0EB1A104K	B	26.8/25
C550	4030016930	S.CER ECJ0EB1A104K	B	14.2/31.8
C551	4030016790	S.CER ECJ0EB1C103K	B	15.1/31.8
C552	4030017780	S.CER ECJ0EB1E472K	B	15.5/30.4
C553	4030018240	S.CER ECJ0EB1E562K	B	16.3/32.3
C554	4030016930	S.CER ECJ0EB1A104K	B	16.9/33.5
C555	4030016790	S.CER ECJ0EB1C103K	B	15.5/29.4
C556	4030017790	S.CER ECJ0EB1E682K	B	26/31.7
C557	4030017910	S.CER ECJ0EB1H152K	B	25.1/33.5
C558	4030016930	S.CER ECJ0EB1A104K	B	26/29.9
C559	4030016930	S.CER ECJ0EB1A104K	B	18.1/33.5
C560	4030018390	S.CER ECJ0EB1A563K	B	22.2/34.4
C561	4030017330	S.CER ECJ0EF1C104Z	B	22.9/35.6
C562	4030017460	S.CER ECJ0EB1E102K	B	21.1/35.6
C563	4030016930	S.CER ECJ0EB1A104K	B	29.1/36
C564	4030016930	S.CER ECJ0EB1A104K	B	27.3/32.9
C600	4550006970	S.TAN TEESVA0G476M8R	B	31.9/22
C601	4030017460	S.CER ECJ0EB1E102K	B	32.3/34.1
C602	4030017460	S.CER ECJ0EB1E102K	B	28.1/29.1
C603	4550006010	S.TAN TEESVA 0G 106M8R	B	39.4/31.3
C614	4030017440	S.CER ECJ0EC1H221J	B	35.5/17.1
C650	4030017460	S.CER ECJ0EB1E102K	B	51.3/6.4
C651	4030017460	S.CER ECJ0EB1E102K	B	48.1/5.8
C652	4030017460	S.CER ECJ0EB1E102K	B	50.6/9.7
C653	4030017460	S.CER ECJ0EB1E102K	B	49.7/8.1
C654	4550006250	S.TAN TEESVA 1A 106M8R	B	49.3/12.1
C655	4030017440	S.CER ECJ0EC1H221J	B	50.6/13.9
C700	4030017460	S.CER ECJ0EB1E102K	T	29.8/30.3
C701	4030017460	S.CER ECJ0EB1E102K	T	29.8/29.4
C702	4030017460	S.CER ECJ0EB1E102K	B	37.3/16.6
C703	4030017460	S.CER ECJ0EB1E102K	B	40.3/24.1
C704	4030017460	S.CER ECJ0EB1E102K	T	5.1/18
C705	4030017460	S.CER ECJ0EB1E102K	T	5/34.3
C706	4030017460	S.CER ECJ0EB1E102K	T	5.3/27.5
C707	4030017460	S.CER ECJ0EB1E102K	B	46.7/38.8
C708	4030017460	S.CER ECJ0EB1E102K	B	48.9/41.2
C709	4030017460	S.CER ECJ0EB1E102K	B	40.4/38.8
C710	4030017460	S.CER ECJ0EB1E102K	B	44.9/38.8
C711	4030017460	S.CER ECJ0EB1E102K	T	29.8/26.2
C712	4030017460	S.CER ECJ0EB1E102K	T	29.8/27.1
C713	4030017460	S.CER ECJ0EB1E102K	T	22.5/32.4
C714	4030017460	S.CER ECJ0EB1E102K	T	23.4/32.8
C715	4030017460	S.CER ECJ0EB1E102K	T	29.8/28
C716	4030017460	S.CER ECJ0EB1E102K	T	29.8/31.2
C717	4030017460	S.CER ECJ0EB1E102K	T	29.8/32.1
C718	4030017460	S.CER ECJ0EB1E102K	T	29.8/33
C719	4030017460	S.CER ECJ0EB1E102K	B	45.8/38.8
C723	4030017420	S.CER ECJ0EC1H470J	B	17/22.1
C724	4030017400	S.CER ECJ0EC1H220J	T	46.8/47.8
C725	4030017400	S.CER ECJ0EC1H220J	T	41.7/41.2
C726	4030017400	S.CER ECJ0EC1H220J	T	40.3/44
C727	4030017400	S.CER ECJ0EC1H220J	T	46/42.9
C730	4030017400	S.CER ECJ0EC1H221J	B	41.6/34.3
C731	4030017440	S.CER ECJ0EC1H221J	B	41.6/35.2
C733	4030017440	S.CER ECJ0EC1H221J	B	51.7/30.9
C734	4030017440	S.CER ECJ0EC1H221J	B	51.7/32.1
C735	4030017460	S.CER ECJ0EB1E102K	B	41.6/31.6
C751	4030017420	S.CER ECJ0EC1H470J	T	47.1/41.2
C752	4030017420	S.CER ECJ0EC1H470J	T	48.9/41.2
C753	4030017460	S.CER ECJ0EB1E102K	T	48.3/38
C754	4030017400	S.CER ECJ0EC1H220J	T	51/36.4
C755	4030017400	S.CER ECJ0EC1H220J	T	50.6/34.1
C756	4030017400	S.CER ECJ0EC1H220J	T	51.5/34.1
C757	4030017420	S.CER ECJ0EC1H470J	T	50.3/32.9
C758	4030017420	S.CER ECJ0EC1H470J	T	51.5/32.5
C760	4030017460	S.CER ECJ0EB1E102K	T	49.4/28.2
C764	4030017400	S.CER ECJ0EC1H220J	T	49.4/30
C765	4030017400	S.CER ECJ0EC1H220J	T	47.1/23.3
C766	4030017400	S.CER ECJ0EC1H220J	T	47.1/24.9
C771	4030017440	S.CER ECJ0EC1H221J	T	48/41.2
C772	4030017400	S.CER ECJ0EC1H220J	T	37/35.4
C773	4030017420	S.CER ECJ0EC1H470J	T	49.2/37.6
C775	4030017420	S.CER ECJ0EC1H470J	T	51/35.5
C777	4030017420	S.CER ECJ0EC1H470J	T	49.7/34.1
C779	4030017420	S.CER ECJ0EC1H470J	T	49.4/31.6
C781	4030017420	S.CER ECJ0EC1H470J	T	37/27.8
C789	4030017400	S.CER ECJ0EC1H220J	T	49.4/29.1
C790	4030017420	S.CER ECJ0EC1H470J	T	37/30.7
C792	4030017400	S.CER ECJ0EC1H220J	T	31.7/40.6
C793	4030017460	S.CER ECJ0EB1E102K	B	7.7/22.6
J702	6510024131	S.CON IMSA-9637S-40Y905	T	42.5/30.7
J703	6510022881	S.CON AXK5S30347YG	B	47

[MAIN UNIT]

REF NO.	PARTS NO.	DESCRIPTION	M.	H/V LOCATION
S701	2260002840	SWI SKHLLFA010		
EP50	6910018460	S.BEA MMZ1005Y102C-T	T	36.1/14.1
EP100	6910018460	S.BEA MMZ1005Y102C-T	T	22.2/37.8
EP200	6910018460	S.BEA MMZ1005Y102C-T	B	22.6/22.3
EP400	6910018460	S.BEA MMZ1005Y102C-T	T	42.6/12.5
EP401	6910018460	S.BEA MMZ1005Y102C-T	T	43/13.4
EP450	6910018460	S.BEA MMZ1005Y102C-T	T	50.2/13.3
EP750	6910018460	S.BEA MMZ1005Y102C-T	T	48.9/39.6
EP751	6910018460	S.BEA MMZ1005Y102C-T	T	47.1/34.3
EP752	6910018460	S.BEA MMZ1005Y102C-T	T	48.5/33.5
EP755	6910018460	S.BEA MMZ1005Y102C-T	T	38.6/35.4
EP756	6910018460	S.BEA MMZ1005Y102C-T	T	47.4/37.6
EP757	6910018460	S.BEA MMZ1005Y102C-T	T	38.6/30.7
EP758	6910018460	S.BEA MMZ1005Y102C-T	T	48.2/35.8
EP759	6910018460	S.BEA MMZ1005Y102C-T	T	38.6/27.8
EP760	6910018460	S.BEA MMZ1005Y102C-T	T	47.2/27.5
MP300	8510016470	S.CAS 2775 VCO CASE	T	29.9/9.2
MP302	8510017840	S.PLA OG-321610G	B	23/46.9

[LOGIC UNIT]

REF NO.	PARTS NO.	DESCRIPTION	M.	H/V LOCATION
IC1	1140014390	S.IC HD64F2239TF16V	B	16.9/25.4
IC2	1130013010	S.IC SN74AHC1G08DCK3	B	24.3/32.3
IC50	1130011770	S.IC CD4066BPWR	B	5.4/10.9
IC51	1140012950	S.IC 24LC512T-I/SM	B	21.6/39.7
IC52	1120003020	S.IC MAX3221PWR	B	19.3/48
IC53	1130011760	S.IC CD4094BPWR	B	41.9/23.2
IC100	1180002790	S.REG R1150H022D-T1-F	B	26.6/47.1
IC101	1110006930	S.IC XC6371A551PR	B	93.7/48.7
IC102	1190002120	S.IC XC9201D09AKR	B	94.5/18
IC103	1180002590	S.REG XC6204B332MR	B	84.2/14.1
IC104	1110006520	S.IC LMV331IDCKR	B	93.2/32.1
IC300	1110005310	S.IC AN6123MS	B	37.3/33.8
IC301	1130008511	S.IC TC7W53FU(TE12L,F)	B	41.4/39.1
IC302	1110006470	S.IC LMV3241PWR	B	51.9/34.2
IC303	1130008511	S.IC TC7W53FU(TE12L,F)	B	16.9/5.8
IC400	1110002810	S.IC NJM2070M-TE1-#ZZZB	B	32.4/3.9
IC500	1130013440	S.IC SN74LVC2G74DCTR	B	69.8/21.6
IC501	1110005430	S.IC CMX589AD5/TR	B	50.5/47.6
IC502	1130007021	S.IC TC7S66FU(TE85L,F)	B	45.3/42.3
IC503	1130011631	S.IC AD73311ARSZ	B	74.7/45.5
IC504	1110005290	S.IC NJM2115V-TE1-#ZZZB	B	61.7/45.7
IC505	1130011930	S.IC SN74LVC1G04DCKR	B	85.3/19.2
IC506	1130010920	S.IC AMBE-2020	B	78.2/31.4
IC507	1110006090	S.IC XC6202P502PR	B	61.3/11.6
IC508	1180002371	S.REG R1111N321B-TR-F	B	64/20.7
Q50	1540000660	S.TRA 2SD2216J-S	B	13.7/35.4
Q51	1540000660	S.TRA 2SD2216J-S	T	20.2/2.8
Q52	1590003290	S.TRA UNR9213J-(TX)	B	1.6/9.1
Q53	1590003250	S.TRA UNR9115J-(TX)	B	7/16.6
Q100	1590002580	S.FET HAT1024R-EL	B	97.2/32.2
Q101	1550000090	S.FET RSQ035P03TR	B	91.1/16.7
Q102	1590003230	S.TRA UNR9113J-(TX)	B	96.5/36.8
Q150	1510000671	S.TRA 2SA1588-GR(TE85R,F)	B	80.5/11.4
Q151	1520000651	S.TRA 2SB1201S-TL-E	B	89.4/6.9
Q152	1590003290	S.TRA UNR9213J-(TX)	B	78.8/6.4
Q153	1590001170	S.TRA XP1501-(TX).AB	B	83.3/4.1
Q200	1590003290	S.TRA UNR9213J-(TX)	T	37.1/12.4
Q201	1590003290	S.TRA UNR9213J-(TX)	T	39.4/14.2
Q202	1590003430	S.TRA UNR911HJ-(TX)	T	50.7/22.9
Q300	1510001100	S.TRA 2SA1832-GR(TE85R,F)	B	31.4/50.2
Q301	1590003290	S.TRA UNR9213J-(TX)	B	39.9/51
Q302	1590003230	S.TRA UNR9115J-(TX)	T	41.3/40.3
Q303	1590001410	S.TRA XP1215(TX)	B	32.1/46.1
Q304	1530004000	S.TRA 2SC4738-GR(TE85L,F)	B	41/43.7
Q305	1590003290	S.TRA UNR9213J-(TX)	B	44/29.3
Q306	1590001770	S.TRA XP1213(TX)	B	50.4/24
Q307	1590003250	S.TRA UNR9115J-(TX)	B	50.4/21.6
Q309	1590003290	S.TRA UNR9213J-(TX)	B	47.8/31.5
Q310	1590003250	S.TRA UNR9115J-(TX)	B	15.5/2
Q311	1530003091	S.TRA 2SC4213-B(TE85R,F)	B	19.9/1.8
Q400	1520000651	S.TRA 2SB1201S-TL-E	B	74.4/10.7
Q401	1590001170	S.TRA XP1501-(TX).AB	B	56.3/13.5
Q402	1530002841	S.TRA 2SC4116-Y(TE85R,F)	B	59.5/18.4
Q403	1560001330	S.FET RSR025N03	B	59/22.6
Q404	1560001330	S.FET RSR025N03	B	55.6/20.8
Q405	1590003290	S.TRA UNR9213J-(TX)	B	56.5/17.9
Q500	1530004000	S.TRA 2SC4738-GR(TE85L,F)	B	69.2/17.8
Q501	1590003290	S.TRA UNR9213J-(TX)	T	50.9/50.3
Q502	1590003290	S.TRA UNR9213J-(TX)	B	45.7/38.8
Q503	1590003290	S.TRA UNR9213J-(TX)	T	66.6/38.1
Q504	1510001100	S.TRA 2SA1832-GR(TE85R,F)	T	66.6/42.1
Q505	1530004000	S.TRA 2SC4738-GR(TE85L,F)	T	82.9/20.9
Q506	1510001100	S.TRA 2SA1832-GR(TE85R,F)	T	66.6/33.2
Q507	1590001170	S.TRA XP1501-(TX).AB	B	64.2/30.9
Q600	1550000160	S.FET CPH3313-TL-E	B	17/39.3
Q601	1590003290	S.TRA UNR9213J-(TX)	B	42.4/27.1
D1	1790001200	S.DIO MA6S121(TX)	T	54.1/43
D2	1790001250	S.DIO MA2S111-(TX)	T	50.8/45.3

[LOGIC UNIT]

REF NO.	PARTS NO.	DESCRIPTION	M.	H/V LOCATION
D4	1790000850	S.DIO MA132WK(TX)	B	79.6/45.3
D13	1790001260	S.DIO MA2S077-(TX)	B	9.9/33.9
D50	1790001240	S.DIO MA2S728-(TX)	B	13.1/38.2
D51	1790001250	S.DIO MA2S111-(TX)	B	22/34.4
D52	1790001240	S.DIO MA2S728-(TX)	B	14.3/37.7
D53	1730002300	S.ZEN MA8082-M(TX)	T	25.6/3.2
D54	1790001250	S.DIO MA2S111-(TX)	T	28.5/3.2
D100	1790001250	S.DIO MA2S111-(TX)	B	28.1/42.8
D101	1750000880	S.DIO RB551V-30TE-17	B	90.3/47.9
D102	1750001630	S.DIO RB161VA-20TR	B	91.3/19.5
D103	1790001250	S.DIO MA2S111-(TX)	B	90.4/32.2
D150	1790000860	S.DIO MA133(TX)	B	85.7/6.9
D151	1790000671	S.DIO SB07-03C-TB-E	B	97.3/8.2
D200	1790001250	S.DIO MA2S111-(TX)	T	34.5/12.1
D300	1790001810	S.VAR AVR-M1005C080MTABB	B	38.1/51
D500	1790001240	S.DIO MA2S728-(TX)	B	86.3/23.3
D600	1790001250	S.DIO MA2S111-(TX)	B	14.4/40.2
D601	1790001240	S.DIO MA2S728-(TX)	B	41.8/28.7
X1	6050012730	S.XTA CR-864(SMD-49/12.288 MHz)	B	3.8/28.4
X500	6050012300	S.XTA CR-821 DSB321SC 9.8304 MHz	B	75.2/16.1
X501	6050012290	S.XTA CR-820 DSB321SC 16.384 MHz	B	76.4/20.8
L100	6190001571	S.COI CDRH5D28NP-101NC 100U	B	92.8/42.6
L101	6190001571	S.COI CDRH5D28NP-101NC 100U	B	93/25.3
L500	6200003640	S.COI MLF1608E 100K-T	B	12.6/40
R1	7030005120	S.RES ERJ2GEJ 102 X (1K)	B	7.3/27.8
R2	7030005120	S.RES ERJ2GEJ 102 X (1K)	B	7.2/23.7
R3	7030005120	S.RES ERJ2GEJ 102 X (1K)	B	7.2/22.8
R4	7030005120	S.RES ERJ2GEJ 102 X (1K)	B	7.2/21.9
R5	7030005120	S.RES ERJ2GEJ 102 X (1K)	B	7.3/20.7
R6	7030005120	S.RES ERJ2GEJ 102 X (1K)	B	6.4/19.5
R7	7030005120	S.RES ERJ2GEJ 102 X (1K)	B	6.6/18.6
R8	7030005240	S.RES ERJ2GEJ 473 X (47K)	B	23.7/20.1
R9	7030005530	S.RES ERJ2GEJ 100 X (10)	B	9.6/32.6
R10	7030005160	S.RES ERJ2GEJ 105 X (1M)	B	6.9/32.3
R11	7030008010	S.RES ERJ2GEJ 123 X (12K)	B	8.4/34.8
R12	7030005530	S.RES ERJ2GEJ 100 X (10)	B	25.3/42
R14	7030008010	S.RES ERJ2GEJ 123 X (12K)	B	7.8/32.6
R15	7030005240	S.RES ERJ2GEJ 473 X (47K)	B	8.5/18.1
R16	7030005240	S.RES ERJ2GEJ 473 X (47K)	B	11.6/33.1
R50	7030005120	S.RES ERJ2GEJ 102 X (1K)	B	12.1/35.2
R51	7030005240	S.RES ERJ2GEJ 473 X (47K)	B	11.2/35.8
R52	7030011000	S.RES RR0510P-392-D (3.9K)	B	11.9/37
R53	7030005240	S.RES ERJ2GEJ 473 X (47K)	B	17.7/44
R54	7030005050	S.RES ERJ2GEJ 103 X (10K)	B	18.6/44
R55	7030005240	S.RES ERJ2GEJ 473 X (47K)	B	9.7/18.2
R56	7030005120	S.RES ERJ2GEJ 102 X (1K)	T	18.6/3.2
R57	7030005240	S.RES ERJ2GEJ 473 X (47K)	T	21.7/2.7
R58	7030005050	S.RES ERJ2GEJ 103 X (10K)	T	23.5/2.7
R60	7030010010	S.RES ERJ2RKF 334 X (330K)	T	32.8/2.7
R61	7030007610	S.RES RR0510P-683-D (68K)	T	32.4/3.9
R62	7030004980	S.RES ERJ2GEJ 101 X (100)	B	12.9/46.7
R63	7030004980	S.RES ERJ2GEJ 101 X (100)	B	20.8/51.3
R64	7030005090	S.RES ERJ2GEJ 104 X (100K)	B	7.2/15.2
R65	7030005120	S.RES ERJ2GEJ 102 X (1K)	B	5/15.7
R66	7510001661	S.THR NTCG16 4LH 473J	B	8.8/8.6
R67	7030005840	S.RES RR0510P-473-D (47K)	B	6.9/6.7
R100	7030005090	S.RES ERJ2GEJ 104 X (100K)	B	28.1/50.3
R101	7030011930	S.RES RP1005S-R56-F (0.56)	B	94.5/14.4
R102	7030011930	S.RES RP1005S-R56-F (0.56)	B	95.1/13.5
R104	7030007250	S.RES ERJ2GEJ 220 X (22)	B	91.4/38.9
R105	7030005050	S.RES ERJ2GEJ 103 X (10K)	B	91.6/21.1
R106	7030007320	S.RES ERJ2GEJ 225 X (2.2M)	B	95/36.7
R107	7030007340	S.RES ERJ2GEJ 153 X (15K)	B	91.1/14.4
R108	7030005110	S.RES ERJ2GEJ 224 X (220K)	B	98.5/37.3
R110	7030005240	S.RES ERJ2GEJ 473 X (47K)	B	80.9/13.4
R111	7030007320	S.RES ERJ2GEJ 225 X (2.2M)	B	93.9/34.9
R112	7030005160	S.RES ERJ2GEJ 105 X (1M)	B	93.7/3.4
R113	7030005160	S.RES ERJ2GEJ 105 X (1M)	B	91.5/32.6
R114	7030005160	S.RES ERJ2GEJ 105 X (1M)	B	92.1/34
R115	7030008270	S.RES RR0510P-104-D (100K)	B	99/26.2
R116	7030005830	S.RES RR0510P-223-D (22K)	B	98.8/25
R150	7030003210	S.RES ERJ3GEYJ 120 V (12)	B	82.9/8.9
R151	7030003210	S.RES ERJ3GEYJ 120 V (12)	B	84.1/8.9
R152	7030005280	S.RES ERJ3GEYJ 6R8V (6.8)	B	81.7/8.9
R153	7030007860	S.RES ERJ3GEYJ 8R2V (8.2)	B	80.5/8.9
R154	7030005120	S.RES ERJ2GEJ 102 X (1K)	B	79.5/8.2
R155	7030005120	S.RES ERJ2GEJ 102 X (1K)	B	83.4/6.9
R156	7030010990	S.RES RR0510P-272-D (2.7K)	B	83.2/5.9
R157	7030011000	S.RES RR0510P-392-D (3.9K)	B	80.5/4.7
R158	7030007280	S.RES ERJ2GEJ 331 X (330)	B	81/3.5
R159	7030010010	S.RES ERJ2RKF 334 X (330K)	B	99.3/8
R160	70300			

[LOGIC UNIT]

REF NO.	PARTS NO.	DESCRIPTION	M.	H/V LOCATION
R212	7030007280	S.RES ERJ2GEJ 331 X (330)	T	52.6/21.2
R213	7030004980	S.RES ERJ2GEJ 101 X (100)	T	90.7/17
R214	7030004980	S.RES ERJ2GEJ 101 X (100)	T	90.7/17
R300	7030005000	S.RES ERJ2GEJ 471 X (470)	B	32.5/48.8
R301	7030005050	S.RES ERJ2GEJ 103 X (10K)	B	33.9/50.3
R302	7030005120	S.RES ERJ2GEJ 102 X (1K)	B	35.1/49.8
R303	7030005110	S.RES ERJ2GEJ 224 X (220K)	B	30.3/51.7
R304	7030007290	S.RES ERJ2GEJ 222 X (2.2K)	B	10.9/39.7
R305	7030005060	S.RES ERJ2GEJ 333 X (33K)	B	38.1/51.9
R306	7030005120	S.RES ERJ2GEJ 102 X (1K)	B	36/48.5
R307	7030005040	S.RES ERJ2GEJ 472 X (4.7K)	B	34.4/47.6
R308	7030008400	S.RES ERJ2GEJ 182 X (1.8K)	B	34.4/46.7
R309	7030008400	S.RES ERJ2GEJ 182 X (1.8K)	B	34.4/45.8
R310	7030004980	S.RES ERJ2GEJ 101 X (100)	T	41.9/42.1
R311	7030007300	S.RES ERJ2GEJ 332 X (3.3K)	B	42.2/42.1
R312	7030005080	S.RES ERJ2GEJ 823 X (82K)	B	39.6/43.7
R314	7030005120	S.RES ERJ2GEJ 102 X (1K)	B	42.6/46
R315	7030010040	S.RES ERJ2GEJ-JPW	B	40.6/42.1
R316	7030005030	S.RES ERJ2GEJ 152 X (1.5K)	B	39/36
R317	7030008410	S.RES ERJ2GEJ 392 X (3.9K)	B	37.8/36.5
R318	7030007340	S.RES ERJ2GEJ 153 X (15K)	B	43/34.1
R319	7030005030	S.RES ERJ2GEJ 153 X (1.5K)	B	43.5/31.3
R320	7030004980	S.RES ERJ2GEJ 101 X (100)	B	42.6/31.3
R321	7030008400	S.RES ERJ2GEJ 182 X (1.8K)	B	23.3/3
R322	7030005040	S.RES ERJ2GEJ 472 X (4.7K)	B	20.3/5.4
R323	7030010040	S.RES ERJ2GEJ-JPW	B	40.6/31.6
R325	7030005240	S.RES ERJ2GEJ 473 X (47K)	B	48.5/21.6
R326	7030005090	S.RES ERJ2GEJ 104 X (100K)	B	38.2/31.6
R327	7030005160	S.RES ERJ2GEJ 105 X (1M)	B	40.3/34.4
R328	7030007340	S.RES ERJ2GEJ 153 X (15K)	B	43.7/37
R329	7030005100	S.RES ERJ2GEJ 154 X (150K)	B	50.4/29.9
R330	7030005000	S.RES ERJ2GEJ 471 X (470)	B	50.9/27.8
R331	7030009140	S.RES ERJ2GEJ 272 X (2.7K)	B	50/27.8
R333	7030005080	S.RES ERJ2GEJ 823 X (82K)	B	48.7/33.7
R334	7030005070	S.RES ERJ2GEJ 683 X (68K)	B	47.8/35.3
R335	7030007350	S.RES ERJ2GEJ 393 X (39K)	B	48.7/35.3
R336	7030005080	S.RES ERJ2GEJ 823 X (82K)	B	47.3/34.1
R337	7030007350	S.RES ERJ2GEJ 393 X (39K)	B	44.5/35.4
R338	7030005050	S.RES ERJ2GEJ 103 X (10K)	B	44.9/33
R339	7030007350	S.RES ERJ2GEJ 393 X (39K)	B	46.1/32.6
R340	7030008410	S.RES ERJ2GEJ 392 X (3.9K)	B	45.2/31
R341	7030007290	S.RES ERJ2GEJ 222 X (2.2K)	B	50.2/39.3
R342	7030007290	S.RES ERJ2GEJ 222 X (2.2K)	B	50.2/40.2
R343	7030005030	S.RES ERJ2GEJ 152 X (1.5K)	B	51.8/41.1
R344	7030008300	S.RES ERJ2GEJ 184 X (180K)	B	53.7/39.3
R345	7030005090	S.RES ERJ2GEJ 104 X (100K)	B	57.0/38.4
R346	7030005090	S.RES ERJ2GEJ 104 X (100K)	B	55.4/34.3
R347	7030005090	S.RES ERJ2GEJ 104 X (100K)	B	52.1/42.8
R348	7030005110	S.RES ERJ2GEJ 224 X (220K)	B	55.4/33.4
R349	7030007340	S.RES ERJ2GEJ 153 X (15K)	B	55.9/31.1
R350	7030007340	S.RES ERJ2GEJ 153 X (15K)	B	55.4/32.5
R351	7030004980	S.RES ERJ2GEJ 101 X (100)	B	52.4/27.1
R352	7030005120	S.RES ERJ2GEJ 102 X (1K)	T	29.7/51.1
R400	7030000190	S.RES MCR10EZHJ 27 (270)	B	52.4/9.5
R401	7030000190	S.RES MCR10EZHJ 27 (270)	B	52.4/11.3
R402	7030000190	S.RES MCR10EZHJ 27 (270)	B	52.4/13
R403	7030005160	S.RES ERJ2GEJ 105 X (1M)	B	52.6/14.4
R404	7030005070	S.RES ERJ2GEJ 683 X (68K)	B	54.2/14.4
R405	7030005120	S.RES ERJ2GEJ 102 X (1K)	B	56.3/11.3
R406	7030009710	S.RES ERJ2GEJ 203 X (20K)	B	74.1/4.9
R407	7030005220	S.RES ERJ2GEJ 223 X (22K)	B	74.1/6.5
R408	7030009280	S.RES ERJ2GEJ 391 X	B	24.5/3.3
R409	7030005050	S.RES ERJ2GEJ 103 X (10K)	B	24.9/2.1
R410	7030005060	S.RES ERJ2GEJ 333 X (33K)	B	27.2/3.3
R411	7030005210	S.RES ERJ2GEJ 822 X (8.2K)	B	28.1/3.3
R412	7030007260	S.RES ERJ2GEJ 330 X (33)	B	28/5
R413	7030005530	S.RES ERJ2GEJ 100 X (10)	B	38.2/7.8
R414	7030005170	S.RES ERJ2GEJ 474 X (470K)	B	59/20.4
R415	7030005170	S.RES ERJ2GEJ 474 X (470K)	B	58.2/16.6
R416	7030005090	S.RES ERJ2GEJ 104 X (100K)	B	57.8/20
R417	7030007300	S.RES ERJ2GEJ 332 X (3.3K)	B	25.4/3.3
R418	7030005050	S.RES ERJ2GEJ 103 X (10K)	B	17.6/1.2
R419	7030005060	S.RES ERJ2GEJ 333 X (33K)	B	18.1/2.4
R501	7030005120	S.RES ERJ2GEJ 102 X (1K)	B	71.5/18.1
R502	7030005090	S.RES ERJ2GEJ 104 X (100K)	B	70.6/18.1
R503	7030004990	S.RES ERJ2GEJ 221 X (220)	B	69.1/15.3
R504	7030004980	S.RES ERJ2GEJ 101 X (100)	B	72/21.2
R505	7030010040	S.RES ERJ2GEJ-JPW	B	68.6/26.3
R506	7030005240	S.RES ERJ2GEJ 473 X (47K)	T	52.9/51
R507	7030005240	S.RES ERJ2GEJ 473 X (47K)	T	53.8/51
R508	7030005240	S.RES ERJ2GEJ 473 X (47K)	T	54.7/50.3
R509	7030005240	S.RES ERJ2GEJ 473 X (47K)	T	55.6/50.3
R510	7030005240	S.RES ERJ2GEJ 473 X (47K)	T	56.5/51
R511	7030005090	S.RES ERJ2GEJ 104 X (100K)	B	55.4/44.7
R512	7030005090	S.RES ERJ2GEJ 104 X (100K)	B	57.4/44.7
R513	7030006610	S.RES ERJ2GEJ 394 X (390K)	B	44.6/44.5
R514	7030005240	S.RES ERJ2GEJ 473 X (47K)	B	45.3/40.4
R515	7030005220	S.RES ERJ2GEJ 223 X (22K)	B	49.7/42.8
R516	7030005050	S.RES ERJ2GEJ 103 X (10K)	T	66.6/39.6
R517	7030005050	S.RES ERJ2GEJ 103 X (10K)	T	66.6/40.5
R518	7030005530	S.RES ERJ2GEJ 100 X (10)	T	66.6/44.1
R519	7030005240	S.RES ERJ2GEJ 473 X (47K)	B	70.9/41.3
R520	7030005090	S.RES ERJ2GEJ 104 X (100K)	B	56.4/45.9
R521	7030005170	S.RES ERJ2GEJ 474 X (470K)	B	60.4/43.2
R522	7030005240	S.RES ERJ2GEJ 473 X (47K)	B	58.8/43.2
R523	7030005240	S.RES ERJ2GEJ 473 X (47K)	T	64.1/46.3
R524	7030005090	S.RES ERJ2GEJ 104 X (100K)	T	65/46.3

[LOGIC UNIT]

REF NO.	PARTS NO.	DESCRIPTION	M.	H/V LOCATION
R525	7030004980	S.RES ERJ2GEJ 101 X (100)	B	75.2/50.9
R526	7030005240	S.RES ERJ2GEJ 473 X (47K)	T	66.2/45.9
R527	7030005010	S.RES ERJ2GEJ 681 X (680)	B	70.3/45.9
R528	7030005120	S.RES ERJ2GEJ 102 X (1K)	B	72.7/50.8
R530	7030004980	S.RES ERJ2GEJ 101 X (100)	B	81.6/17.5
R531	7030005120	S.RES ERJ2GEJ 102 X (1K)	B	82.9/18.5
R532	7030005090	S.RES ERJ2GEJ 104 X (100K)	B	82.9/19.5
R533	7030004990	S.RES ERJ2GEJ 221 X (220)	B	80.9/21.5
R534	7030007280	S.RES ERJ2GEJ 331 X (330)	B	85.2/23.4
R535	7030005120	S.RES ERJ2GEJ 102 X (1K)	B	85.7/20.9
R536	7030005240	S.RES ERJ2GEJ 473 X (47K)	B	79.3/43.8
R537	7030005040	S.RES ERJ2GEJ 472 X (4.7K)	B	63.5/28.6
R538	7030000180	S.RES MCR10EZHJ 22 (220)	B	63/17.3
R539	7030005240	S.RES ERJ2GEJ 473 X (47K)	B	61.6/18.5
R601	7030004980	S.RES ERJ2GEJ 101 X (100)	B	12.7/16.3
R602	7030008370	S.RES ERJ2GEJ 561 X (560)	B	13.6/16.3
R603	7030005120	S.RES ERJ2GEJ 102 X (1K)	B	15.3/15.9
R604	7030005120	S.RES ERJ2GEJ 102 X (1K)	B	17.2/15.9
R605	7030005120	S.RES ERJ2GEJ 102 X (1K)	B	19.1/16
R606	7030005090	S.RES ERJ2GEJ 104 X (100K)	B	12/17.9
R608	7030010040	S.RES ERJ2GEJ-JPW	B	63.7/34.2
R610	7030005000	S.RES ERJ2GEJ 471 X (470)	B	15.4/43.2
R611	7030005090	S.RES ERJ2GEJ 104 X (100K)	B	17/37.2
R612	7030005000	S.RES ERJ2GEJ 471 X (470)	B	39.8/27
R614	7030005050	S.RES ERJ2GEJ 103 X (10K)	B	44.1/26.5
R615	7030005240	S.RES ERJ2GEJ 473 X (47K)	B	35.5/29.4
R616	7030010040	S.RES ERJ2GEJ-JPW	B	35.3/28.5
C1	4030016930	S.CER ECJ0EB1A104K	B	38.4/28.2
C2	4030016930	S.CER ECJ0EB1A104K	B	6.8/34.7
C3	4030016930	S.CER ECJ0EB1A104K	B	9.6/30
C4	4030016930	S.CER ECJ0EB1A104K	B	8.7/29.1
C5	4030017460	S.CER ECJ0EB1E102K	B	7.2/26.9
C6	4030017460	S.CER ECJ0EB1E102K	B	7.2/24.6
C7	4030017460	S.CER ECJ0EB1E102K	B	5.6/22.2
C8	4030017460	S.CER ECJ0EB1E102K	B	5/21.2
C9	4030017460	S.CER ECJ0EB1E102K	B	4.2/19.8
C10	4030017460	S.CER ECJ0EB1E102K	B	4.2/18.9
C12	4030016930	S.CER ECJ0EB1A104K	B	22.5/19.7
C13	4030017640	S.CER ECJ0EC1H150J	B	11/31
C14	4030017630	S.CER ECJ0EC1H120J	B	8.7/32.6
C15	4030017400	S.CER ECJ0EC1H220J	B	7.4/33.8
C16	4030016930	S.CER ECJ0EB1A104K	B	10.5/32.6
C17	4030016930	S.CER ECJ0EB1A104K	B	25.2/30.3
C32	4550007720	S.TAN TEESVP 0G 476M8R	B	7.3/29.8
C50	4030017460	S.CER ECJ0EB1E102K	B	10/36
C51	4030017400	S.CER ECJ0EC1H220J	B	10/35.1
C52	4030017460	S.CER ECJ0EB1E102K	B	25.3/42.9
C53	4030017460	S.CER ECJ0EB1E102K	B	10.1/19.1
C54	4030017460	S.CER ECJ0EB1E102K	T	17.7/3.2
C55	4030017460	S.CER ECJ0EB1E102K	T	22.6/2.7
C56	4030017460	S.CER ECJ0EB1E102K	T	31/3.2
C57	4030016930	S.CER ECJ0EB1A104K	B	23.5/46.8
C58	4030017620	S.CER ECJ0EC1H100C	B	11.3/46.7
C60	4030011810	S.CER C1608 JB 1A 224K-T	B	18/51.9
C61	4030011810	S.CER C1608 JB 1A 224K-T	B	14.9/45.4
C62	4030011810	S.CER C1608 JB 1A 224K-T	B	14.8/48
C63	4030011810	S.CER C1608 JB 1A 224K-T	B	15.4/51.8
C64	4030017620	S.CER ECJ0EC1H100C	B	13.6/45.5
C66	4030017460	S.CER ECJ0EB1E102K	B	5.2/6.7
C67	4030017460	S.CER ECJ0EB1E102K	B	8.7/12.9
C68	4030017460	S.CER ECJ0EB1E102K	B	8.6/16.1
C69	4030017460	S.CER ECJ0EB1E102K	B	5/16.6
C70	4030017460	S.CER ECJ0EB1E102K	B	8.7/14.5
C71	4030017460	S.CER ECJ0EB1E102K	B	45.4/19.7
C100	4030011600	S.CER C1608 JB 1E 104K-T	B	28.2/44
C101	4030011600	S.CER C1608 JB 1E 104K-T	B	25.4/51.2
C102	4030016930	S.CER ECJ0EB1A104K	B	26/50.1
C103	4550007730	S.TAN TEESVP 0J 106M8R	B	25.6/44
C104	4550007680	S.TAN TEESVP 0J 226M8R	B	92.8/36.6
C105	4550007680	S.TAN TEESVP 0J 226M8R	B	94.6/38.5
C106	4550007680	S.TAN TEESVP 0J 226M8R	B	97.1/46.7
C107	4550007680	S.TAN TEESVP 0J 226M8R	B	97.7/44.3
C108	4030017330	S.CER ECJ0EF1C104Z	B	93.3/14
C109	4510007980	S.ELE 16SPV22M-AIC	B	47.8/5.8
C110	4030017440	S.CER ECJ0EC1H221J	B	92.5/21.1
C111	4550007880	S.TAN TEESVB2 1A 686M8R	B	97.9/21.6
C112	4030018560	S.CER C2012 JB 1A 475K-T	B	98/27.8
C113	4030018860	S.CER ECJ0EB0J105K	B	86.4/14.1
C114	4030017460	S.CER ECJ0EB1E102K	B	84.8/16.2
C115	4030017460	S.CER ECJ0EB1E102K	B	81.8/13.4
C116	4030017490	S.CER C1608 JB 1A 105K-T	B	84.5/11.8
C117	4030017460	S.CER ECJ0EB1E102K	B	86.2/11.9
C118	4030016930	S.CER ECJ0EB1A104K	B	92.3/14
C119	4030017400	S.CER ECJ0EC1H220J	B	93.9/21.6
C120	4030017700	S.CER ECJ0EC1H151J	B	98.1/26.2
C121	4030016790	S.CER ECJ0EB1C103K	B	92/29.8
C123	4030017460	S.CER ECJ0EB1E102K	B	95.5/21.6
C124	4030016930	S.CER ECJ0EB1A104K	B	94.

[LOGIC UNIT]

REF NO.	PARTS NO.	DESCRIPTION	M.	H/V LOCATION
C204	4550007690	S.TAN TEESVP 1C 105M8R	T	35.6/23.2
C205	4550007700	S.TAN TEESVP 1C 225M8R	B	35.5/21.6
C206	4550007700	S.TAN TEESVP 1C 225M8R	B	36.1/23.4
C207	4550007700	S.TAN TEESVP 1C 225M8R	B	36/25.1
C208	4550007700	S.TAN TEESVP 1C 225M8R	B	35.7/27.1
C214	4030017460	S.CER ECJ0EB1E102K	T	35.6/12.4
C215	4030017460	S.CER ECJ0EB1E102K	T	37.9/14.2
C216	4030017460	S.CER ECJ0EB1E102K	T	49.2/24
C217	4030017460	S.CER ECJ0EB1E102K	T	52.1/24
C218	4030017460	S.CER ECJ0EB1E102K	T	47.7/21.2
C219	4030017460	S.CER ECJ0EB1E102K	B	1.1/18.7
C300	4030018860	S.CER ECJ0EB0J105K	B	33/50.3
C301	4030017460	S.CER ECJ0EB1E102K	B	30.9/48.8
C302	4030017460	S.CER ECJ0EB1E102K	B	35.1/50.7
C303	4030016950	S.CER ECJ0EB1A473K	B	31.9/51.7
C304	4030017460	S.CER ECJ0EB1E102K	T	39.7/40.3
C305	4030016790	S.CER ECJ0EB1C103K	T	42.8/42.1
C306	4030018860	S.CER ECJ0EB0J105K	B	36/47.6
C307	4030017460	S.CER ECJ0EB1E102K	B	36.4/49.7
C308	4550007730	S.TAN TEESVJ 0J 106M8R	B	42.6/43.9
C309	4030016930	S.CER ECJ0EB1A104K	B	36/46.7
C310	4550007730	S.TAN TEESVJ 0J 106M8R	B	41.5/46.3
C311	4030016930	S.CER ECJ0EB1A104K	B	39.2/38
C312	4030016930	S.CER ECJ0EB1A104K	B	40.6/36
C313	4030018860	S.CER ECJ0EB0J105K	B	43.5/32.9
C314	4030016930	S.CER ECJ0EB1A104K	B	21.7/3
C315	4030017770	S.CER ECJ0EB1E332K	B	21.7/3.9
C316	4030016790	S.CER ECJ0EB1C103K	B	21.2/5.4
C317	4030016930	S.CER ECJ0EB1A104K	B	36.6/36
C318	4030017460	S.CER ECJ0EB1E102K	B	48.5/22.5
C319	4030016930	S.CER ECJ0EB1A104K	B	36.6/31.6
C320	4030016790	S.CER ECJ0EB1C103K	B	39.4/34.4
C321	4550007730	S.TAN TEESVJ 0J 106M8R	B	41.4/34.1
C322	4030017460	S.CER ECJ0EB1E102K	B	52/21.6
C323	4030017460	S.CER ECJ0EB1E102K	B	51.5/20.2
C324	4030017460	S.CER ECJ0EB1E102K	B	52.4/23.3
C325	4030016950	S.CER ECJ0EB1A473K	B	42.3/35.9
C326	4030018390	S.CER ECJ0EB1A563K	B	43.6/35.4
C327	4030017920	S.CER ECJ0EB1A683K	B	50.9/26.2
C328	4030018860	S.CER ECJ0EB0J105K	B	50/26.2
C329	4030017710	S.CER ECJ0EC1H181J	B	50.4/29
C330	4030017460	S.CER ECJ0EB1E102K	B	55/31.1
C331	4550007690	S.TAN TEESVP 1C 105M8R	B	55.6/36.4
C332	4030016790	S.CER ECJ0EB1C103K	B	52.4/29.9
C333	4550007680	S.TAN TEESVP 0J 226M8R	B	52.9/28.5
C334	4030018110	S.CER ECJ0EB1H272K	B	46.9/35.3
C335	4030018140	S.CER ECJ0EB1H391K	B	50.2/38.4
C336	4550007730	S.TAN TEESVJ 0J 106M8R	B	45.2/34.1
C337	4030017920	S.CER ECJ0EB1A683K	B	47.3/33
C338	4030017040	S.CER ECJ0EB1A333K	B	46.1/31
C339	4030017460	S.CER ECJ0EB1E102K	B	47.8/29.9
C340	4030017040	S.CER ECJ0EB1A333K	B	17.2/2.4
C341	4030016960	S.CER ECJ0EB1C183K	B	50.2/41.1
C342	4030017460	S.CER ECJ0EB1E102K	B	19.3/5.8
C343	4030018860	S.CER ECJ0EB0J105K	B	54.9/38.9
C344	4030017460	S.CER ECJ0EB1E102K	B	14.7/6.4
C347	4030017460	S.CER ECJ0EB1E102K	B	39.9/33.2
C400	4030017460	S.CER ECJ0EB1E102K	B	52.2/6.8
C401	4030017460	S.CER ECJ0EB1E102K	B	51.4/14.7
C403	4030017460	S.CER ECJ0EB1E102K	B	53.5/15.8
C404	4030017460	S.CER ECJ0EB1E102K	B	54.5/11.3
C405	4030018860	S.CER ECJ0EB0J105K	B	55.4/11.3
C408	4030017460	S.CER ECJ0EB1E102K	B	58/14
C409	4030016930	S.CER ECJ0EB1A104K	B	23.3/2.1
C410	4030016780	S.CER ECJ0EB1C153K	B	26.7/2.1
C411	4030016930	S.CER ECJ0EB1A104K	B	26.3/3.3
C412	4550002960	S.TAN TEESVA 1C 155M8R	B	25.1/5.2
C413	4030016930	S.CER ECJ0EB1A104K	B	36.9/2.1
C414	4510008500	S.ELE EEE1CA1017P	B	47.2/12.7
C415	4030016950	S.CER ECJ0EB1A473K	B	37/8.2
C416	4510009020	S.ELE EEE0JA331P	B	39.2/13.4
C417	4030017460	S.CER ECJ0EB1E102K	B	38.7/18.9
C418	4030017460	S.CER ECJ0EB1E102K	B	56.6/33.4
C419	4030017460	S.CER ECJ0EB1E102K	B	57/16
C420	4510008040	S.ELE EEFCD 0K 330R	B	56/6.2
C421	4030018520	S.CER C1608 JB 0J 225M-T	B	54.7/16.2
C500	4030016930	S.CER ECJ0EB1A104K	B	77.6/16.3
C501	4030017460	S.CER ECJ0EB1E102K	B	72.3/16.2
C503	4030017460	S.CER ECJ0EB1E102K	B	70.6/16.5
C504	4030016930	S.CER ECJ0EB1A104K	B	69.1/16.2
C505	4030016930	S.CER ECJ0EB1A104K	B	72.4/18.1
C506	4030017460	S.CER ECJ0EB1E102K	B	70.1/24.6
C507	4030017400	S.CER ECJ0EC1H220J	B	56.3/44.7
C508	4030018860	S.CER ECJ0EB0J105K	B	56.4/46.8
C509	4030017460	S.CER ECJ0EB1E102K	T	49.3/50.4
C510	4030016930	S.CER ECJ0EB1A104K	T	47.7/50.6
C511	4030016930	S.CER ECJ0EB1A104K	B	45.1/51.1
C512	4030017030	S.CER ECJ0EB1A273K	B	45.5/44.5
C513	4030017030	S.CER ECJ0EB1A273K	B	44.6/46.1
C514	4030017460	S.CER ECJ0EB1E102K	B	45.8/37.3
C515	4030016930	S.CER ECJ0EB1A104K	B	43.6/41.8
C516	4030017760	S.CER ECJ0EB1H222K	B	50.9/42.3
C517	4030016930	S.CER ECJ0EB1A104K	B	70/41
C518	4030016930	S.CER ECJ0EB1A104K	B	81/43.4
C519	4550006930	S.TAN TEESVP 0J 225M8R	B	81.1/42
C520	4030017420	S.CER ECJ0EC1H470J	B	72.8/40.6
C521	4550007730	S.TAN TEESVJ 0J 106M8R	B	68.6/43

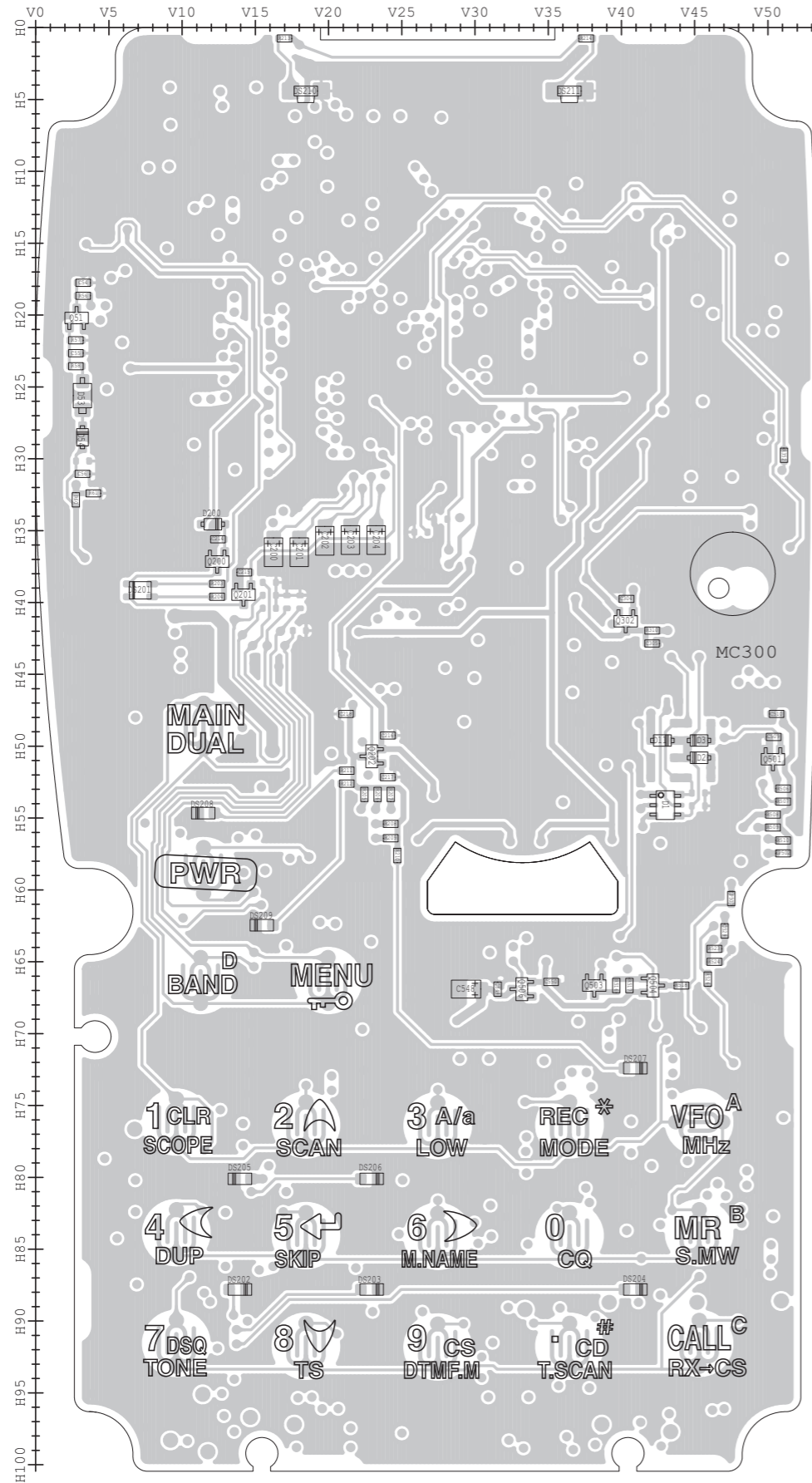
[LOGIC UNIT]

REF NO.	PARTS NO.	DESCRIPTION	M.	H/V LOCATION
C522	4030016930	S.CER ECJ0EB1A104K	B	76.6/50.9
C523	4030016930	S.CER ECJ0EB1A104K	B	77.5/50.9
C524	4030016970	S.CER ECJ0EB1C223K	B	71.5/50.9
C525	4030016950	S.CER ECJ0EB1A473K	B	74.3/50.9
C526	4030016930	S.CER ECJ0EB1A104K	B	69.6/43.4
C527	4030016930	S.CER ECJ0EB1A104K	B	58.3/47.4
C528	4030018860	S.CER ECJ0EB0J105K	B	57.2/43.5
C529	4030016930	S.CER ECJ0EB1A104K	T	62.8/47
C530	4030016930	S.CER ECJ0EB1A104K	B	75.3/18.8
C531	4030016930	S.CER ECJ0EB1A104K	B	81.2/18.7
C532	4030017460	S.CER ECJ0EB1E102K	B	79.2/19.7
C534	4030017460	S.CER ECJ0EB1E102K	B	80.9/19.7
C535	4030016930	S.CER ECJ0EB1A104K	B	80.9/20.6
C536	4030016930	S.CER ECJ0EB1A104K	B	85.7/17.4
C537	4030016930	S.CER ECJ0EB1A104K	B	83.7/22.4
C538	4030016930	S.CER ECJ0EB1A104K	B	80.6/22.4
C539	4030016930	S.CER ECJ0EB1A104K	B	79/22.4
C540	4030016930	S.CER ECJ0EB1A104K	B	69.1/30.7
C541	4030016930	S.CER ECJ0EB1A104K	B	69.1/38.1
C542	4030016930	S.CER ECJ0EB1A104K	B	81.4/40.6
C543	4030016930	S.CER ECJ0EB1A104K	B	79.3/40.5
C544	4030016930	S.CER ECJ0EB1A104K	B	77.2/40.5
C545	4030016930	S.CER ECJ0EB1A104K	B	86.4/39.5
C546	4030017420	S.CER ECJ0EC1H470J	B	85.5/39.5
C547	4030017460	S.CER ECJ0EB1E102K	B	64.7/28.8
C548	4550006930	S.TAN TEESVP 0J 225M8R	T	66.9/29.4
C549	4030017460	S.CER ECJ0EB1E102K	T	66.9/31.5
C550	4030017460	S.CER ECJ0EB1E102K	T	66.4/35.2
C551	4030012610	S.CER C2012 JB 1C 474K-T	B	64.8/11.1
C552	4030018860	S.CER ECJ0EB0J105K	B	62.7/14.9
C553	4030018860	S.CER ECJ0EB0J105K	B	63.6/14.9
C554	4550007680	S.TAN TEESVP 0J 226M8R	B	64.8/17.3
C555	4550006250	S.TAN TEESVA 1A 106M8R	B	64.7/25.8
C556	4030016930	S.CER ECJ0EB1A104K	B	63.1/24.9
C557	4030017460	S.CER ECJ0EB1E102K	B	21.7/15.9
C600	4030017420	S.CER ECJ0EC1H470J	B	14.1/42.6
C602	4030017460	S.CER ECJ0EB1E102K	B	36.5/52.2
C603	4030017460	S.CER ECJ0EB1E102K	B	39.8/52.5
C604	4030017460	S.CER ECJ0EB1E102K	B	40.7/29.7
C605	4030017460	S.CER ECJ0EB1E102K	B	40.9/26.9
J1	6510025370	S.CON AXK816145YG	B	84.2/47.3
J200	6510025170	S.CON IMSA-9631S-27Y-921	B	30.6/27.4
J600	6510024131	S.CON IMSA-9637S-40Y905	B	22/11.4
J601	6510026410	S.CON SM10B-SRSS-TB(LF)(SN)	B	6.8/41.6
DS1	5030003080	LCD KMC9864-A00-SPI <VKH>	T	39.1/7.1
DS201	5040002670	S.LED CL-165HR/YG	T	87.8/13.9
DS202	5040003280	S.LED RY-SP192UYG24-5M <VKH>	T	87.8/22.9
DS203	5040003280	S.LED RY-SP192UYG24-5M <VKH>	T	87.8/40.9
DS204	5040003280	S.LED RY-SP192UYG24-5M <VKH>	T	80.1/13.9
DS205	5040003280	S.LED RY-SP192UYG24-5M <VKH>	T	80.1/22.9
DS206	5040003280	S.LED RY-SP192UYG24-5M <VKH>	T	72.4/40.9
DS207	5040003280	S.LED RY-SP192UYG24-5M <VKH>	T	54.6/11.4
DS208	5040003280	S.LED RY-SP192UYG24-5M <VKH>	T	62.4/15.4
DS209	5040003280	S.LED RY-SP192UYG24-5M <VKH>	T	4.4/18.4
DS210	5040002961	S.LED SML-A12MT T86J	T	4.4/36.4
DS211	5040002961	S.LED SML-A12MT T86J	T	4.4/36.4
MC300	7700002850	MIC EM6022P-65B-G <HOR>		
SP1	2510001420	SPE PSC-2849PA <PRI>		
W1	7120000470	JUM ERDS2T0		
W2	8900007682	CAB OPC-741A-(P0.5,N40,L55) <TJM>		
EP50	6910018460	S.BEA MMZ1005Y102C-T	B	23.5/45.2
EP51	6910018460	S.BEA MMZ1005Y102C-T	B	12.7/45.5
EP52	6910018460	S.BEA MMZ1005Y102C-T	B	11.3/45.8
EP53	6910018460	S.BEA MMZ1005Y102C-T	B	13.1/44.3
EP100	6910018460	S.BEA MMZ1005Y102C-T	B	98.5/46.9
EP101	6910018460	S.BEA MMZ1005Y102C-T	B	92.6/38.5
EP102	6910018460	S.BEA MMZ1005Y102C-T	B	96.7/26.2
EP500	6910018460	S.BEA MMZ1005Y102C-T	B	78.5/16.3
EP501	6910018460	S.BEA MMZ1005Y102C-T	B	72.9/21.6
EP502	6910018460	S.BEA MMZ1005Y102C-T	T	57.4/51
EP503	6910018460	S.BEA MMZ1005Y102C-T	B	43.6/40.2
EP504	6910018460	S.BEA MMZ1005Y102C-T	B	70.4/39.8
EP505	6910018460	S.BEA MMZ1005Y102C-T	B	74.4/40.6
EP506	6910018460	S.BEA MMZ1005Y102C-T	B	70/44.6
EP507	6910018460	S.BEA MMZ1005Y102C-T	T	60.6/47.5
EP508	6910018460	S.BEA MMZ1005Y102C-T	B	73.4/19.5
EP509	6910018460	S.BEA MMZ1005Y102C-T	B	64.6/22.9
EP511	6910018460	S.BEA MMZ1005Y102C-T	B	10.9/38.1
EP512	6910018460	S.BEA MMZ1005Y102C-T	B	11.8/38.2
EP514	6910018460	S.BEA MMZ1005Y102C-T	B	11.6/41.5
EP515	6910018460	S.BEA MMZ1005Y102C-T	B	12.9/42.3
EP516	6910018460	S.BEA MMZ1005Y102C-T	B	11.4/43.1
EP517	6910018460	S.BEA MMZ1005Y102C-T	B	16.3/43.2
MP24	8510017840	S.PLA OG-321610G	B	88.2/18.4
MP500	8510017840	S.PLA OG-321610G	B	88.1/48
MP501	8510017840	S.PLA OG-321610G	B	66.7/34.5
MP510	8510017840	S.PLA OG-321610G	B	66.7/14.6

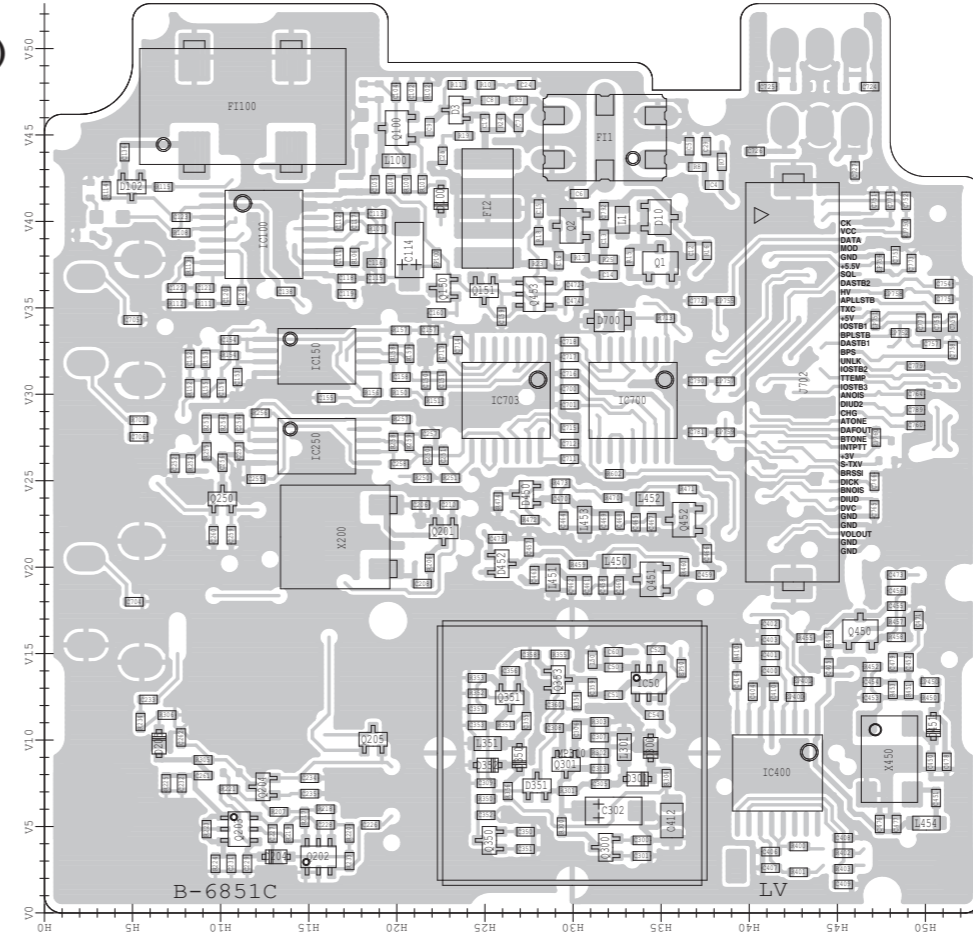
M.=Mounted side (T: Mounted on the Top side, B: Mounted on the Bottom side)
S.=Surface mount

BOARD LAYOUTS

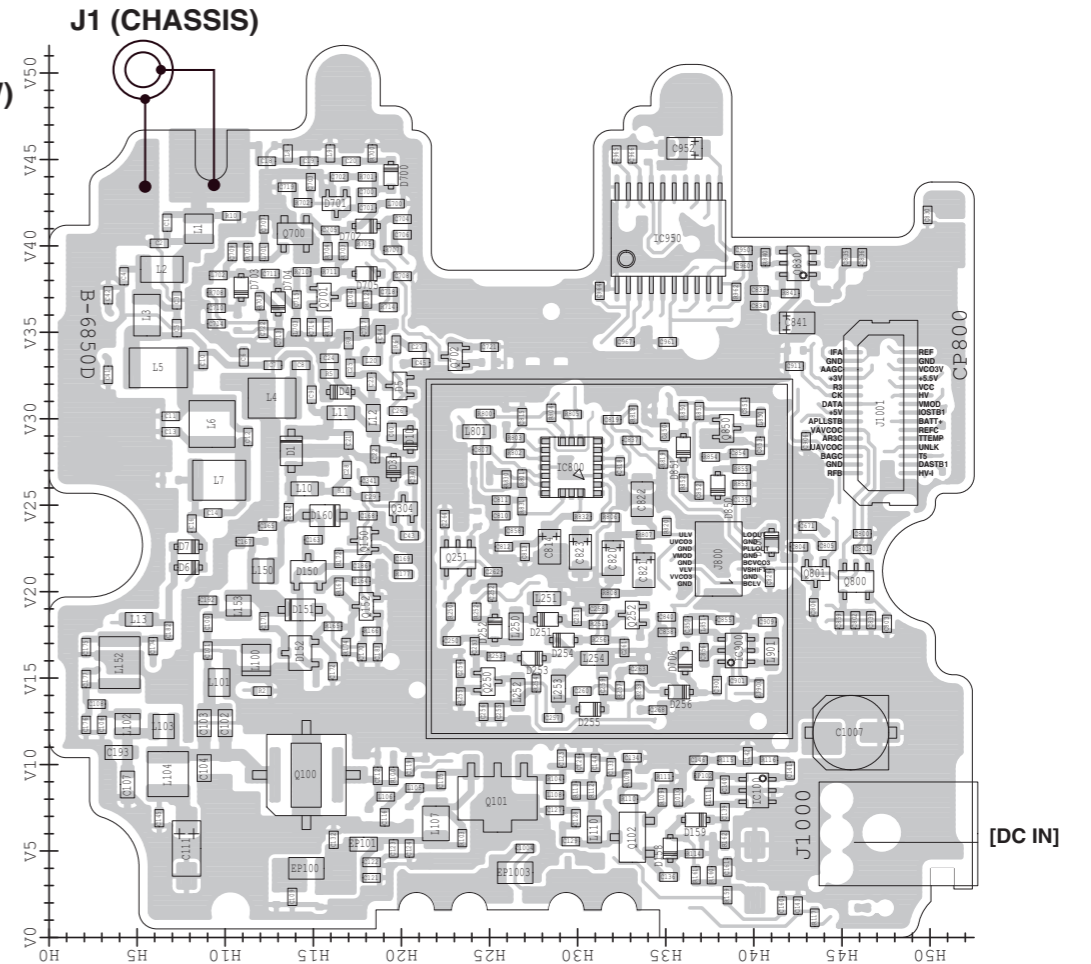
• LOGIC UNIT
(TOP VIEW)



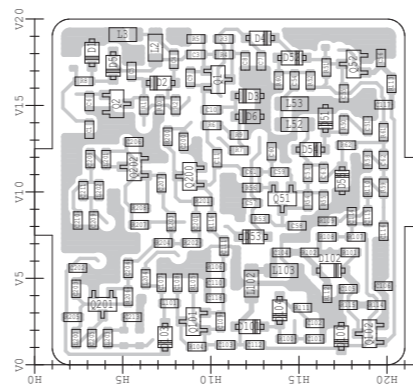
• MAIN UNIT
(TOP VIEW)



• RF UNIT
(TOP VIEW)

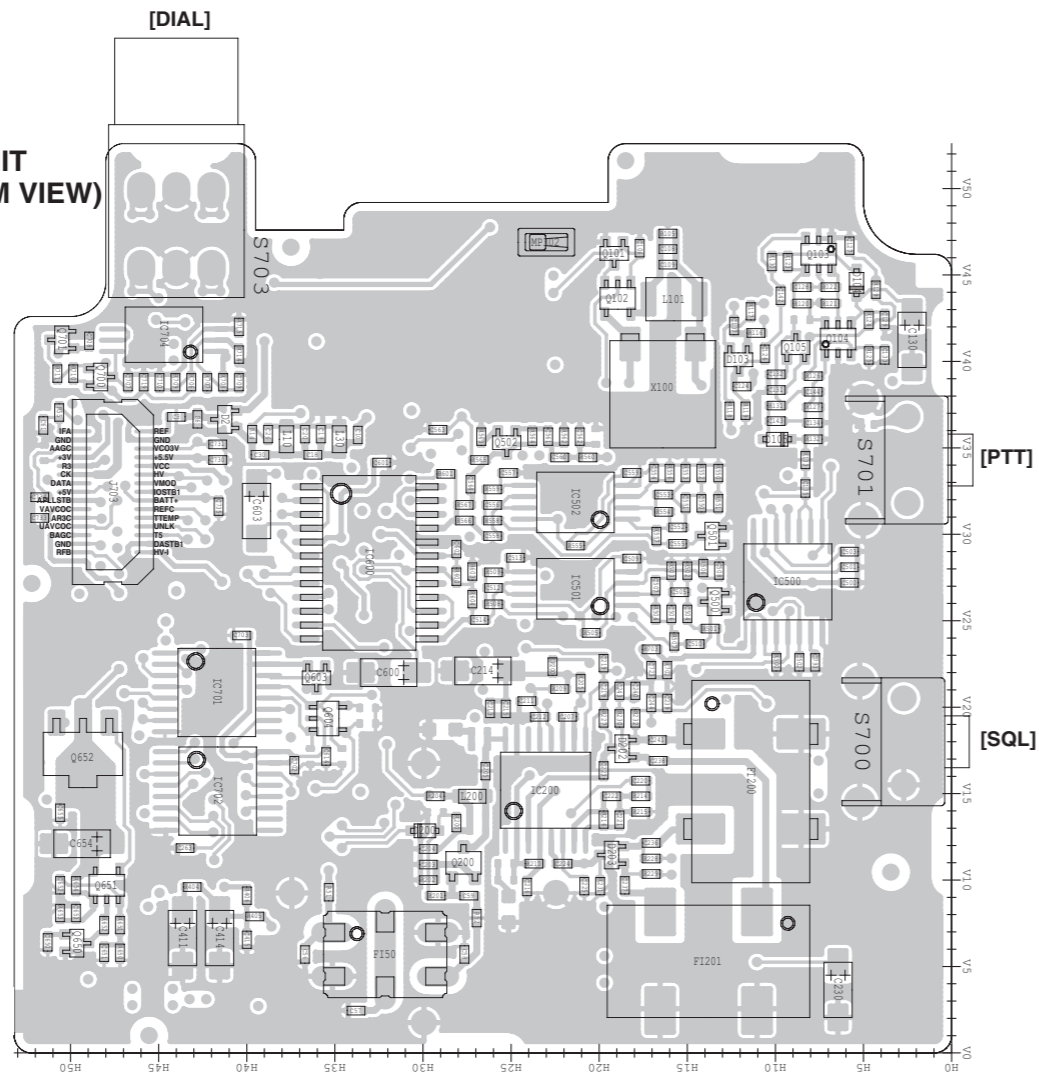


• VCO UNIT
(TOP VIEW)

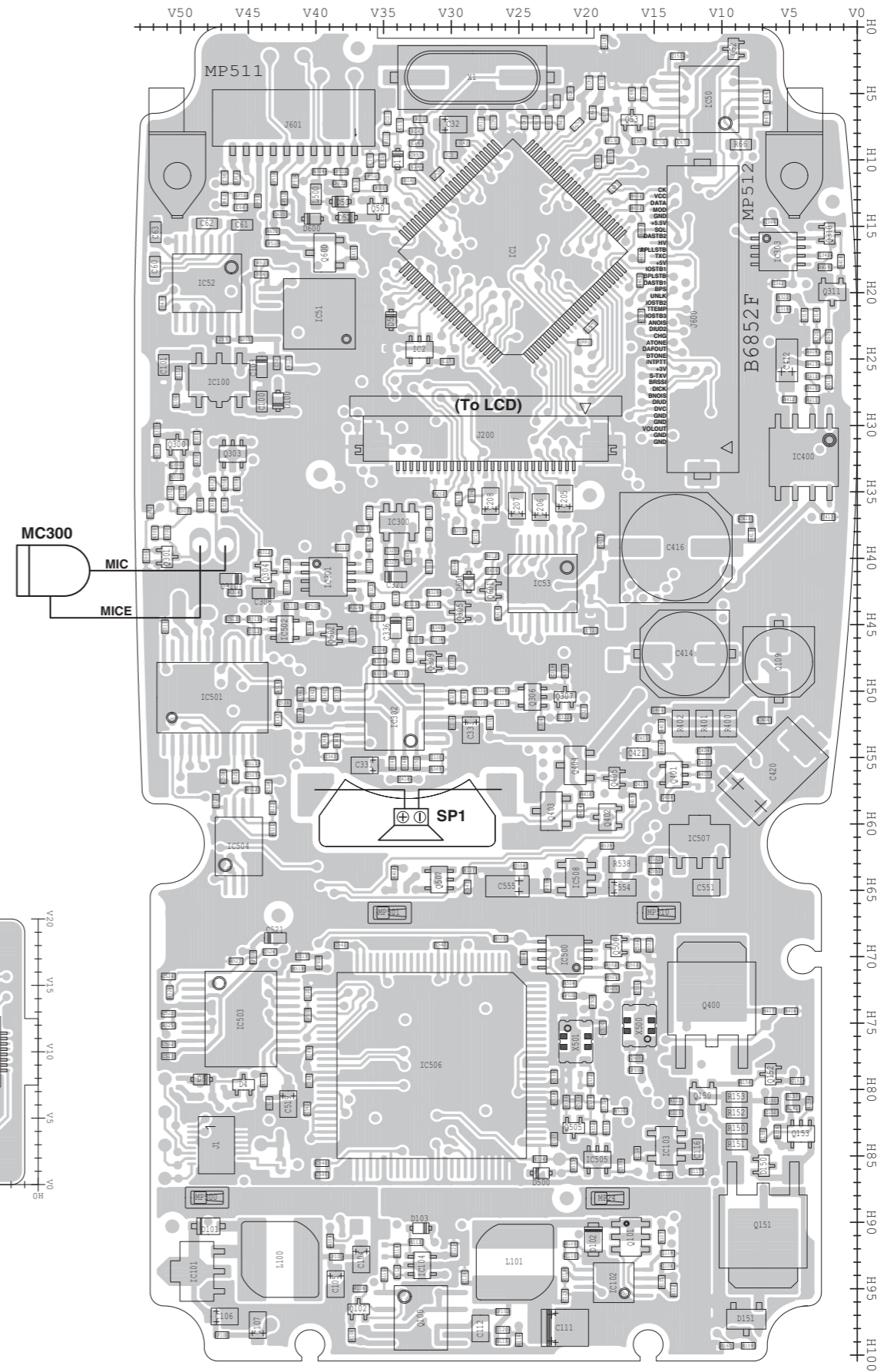


The combination of this side and the bottom side shows the board layout in the same configuration as the actual P.C.Board.

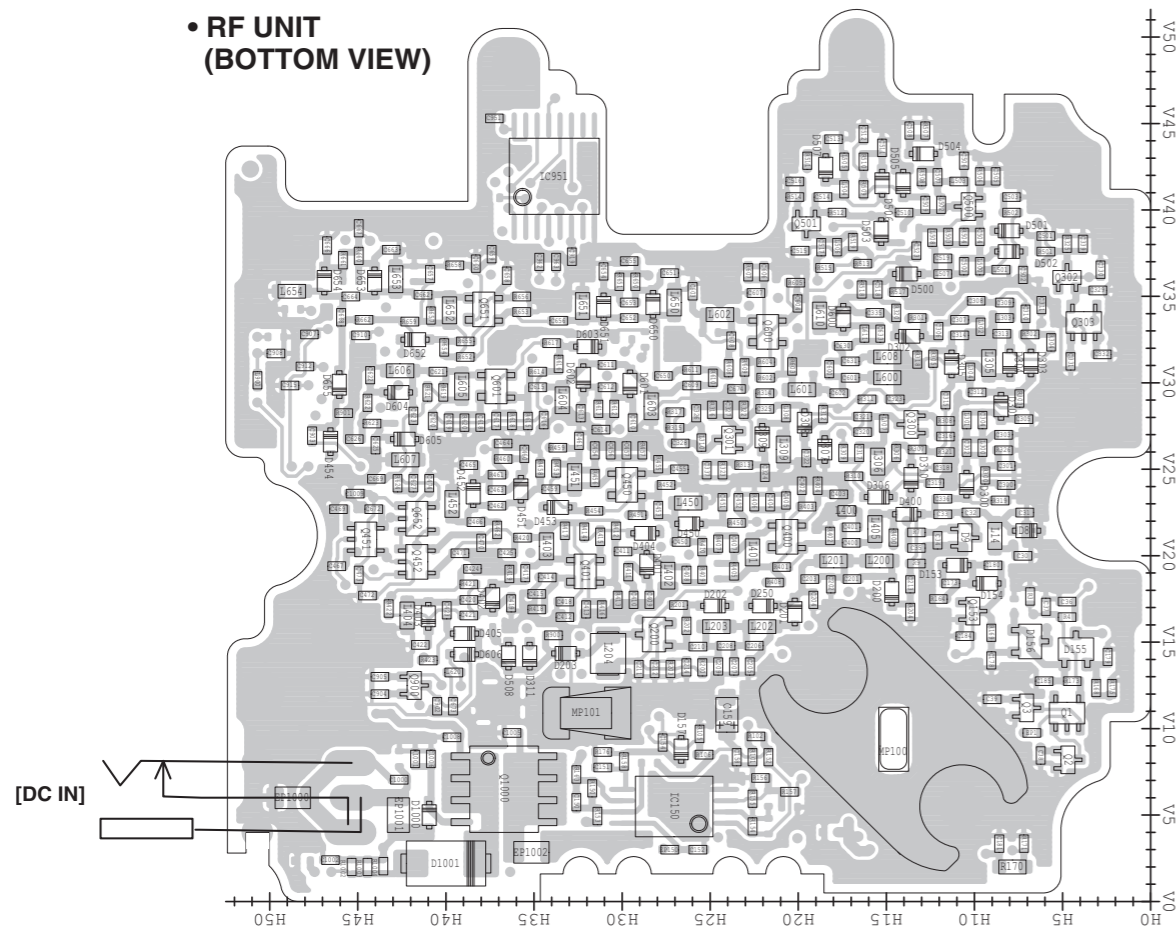
• MAIN UNIT (BOTTOM VIEW)



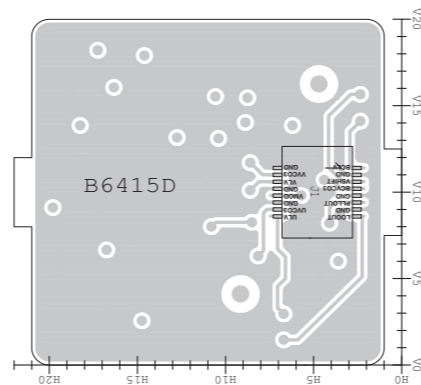
• LOGIC UNIT (BOTTOM VIEW)



• RF UNIT (BOTTOM VIEW)

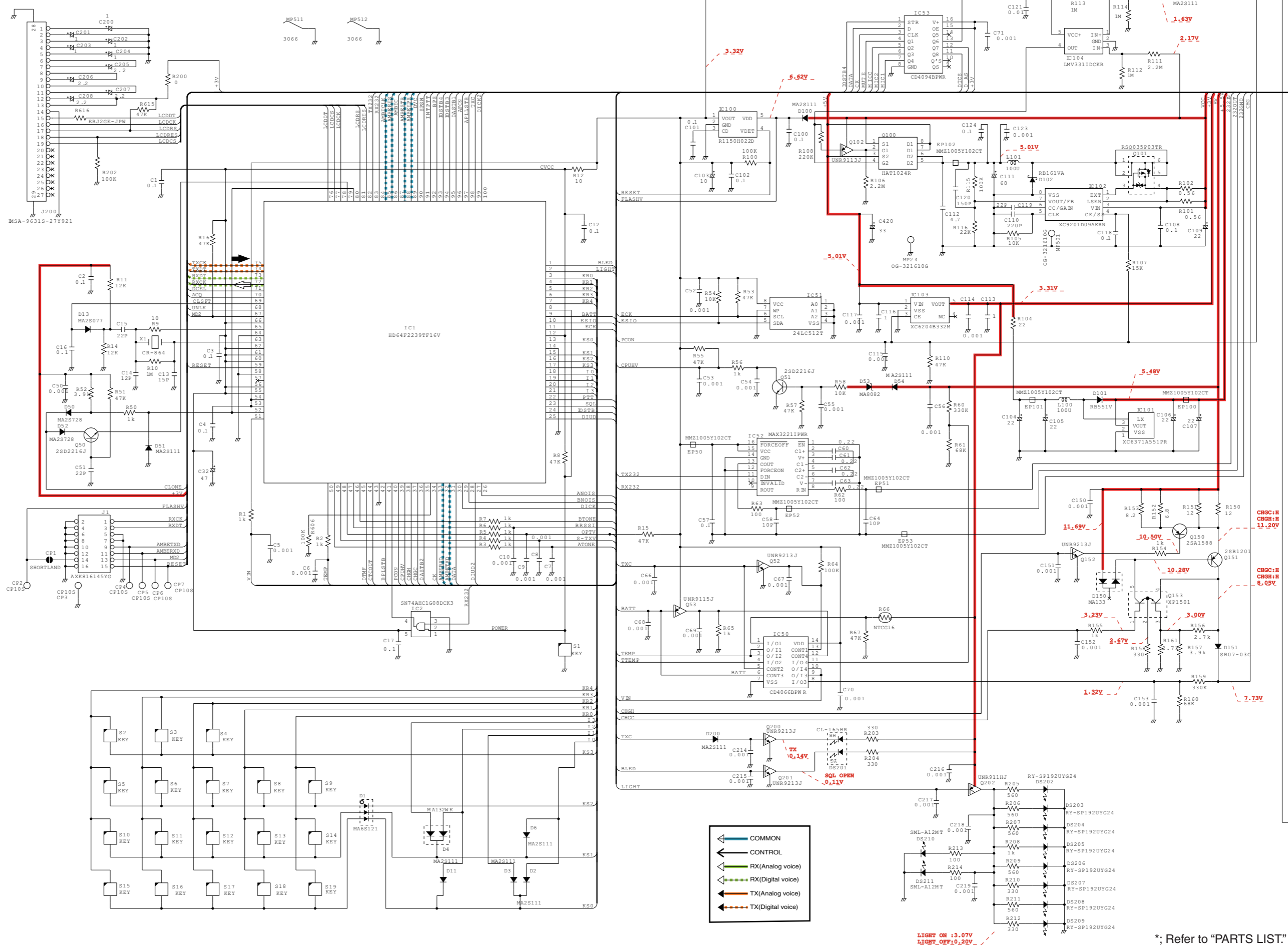


• VCO UNIT (BOTTOM VIEW)



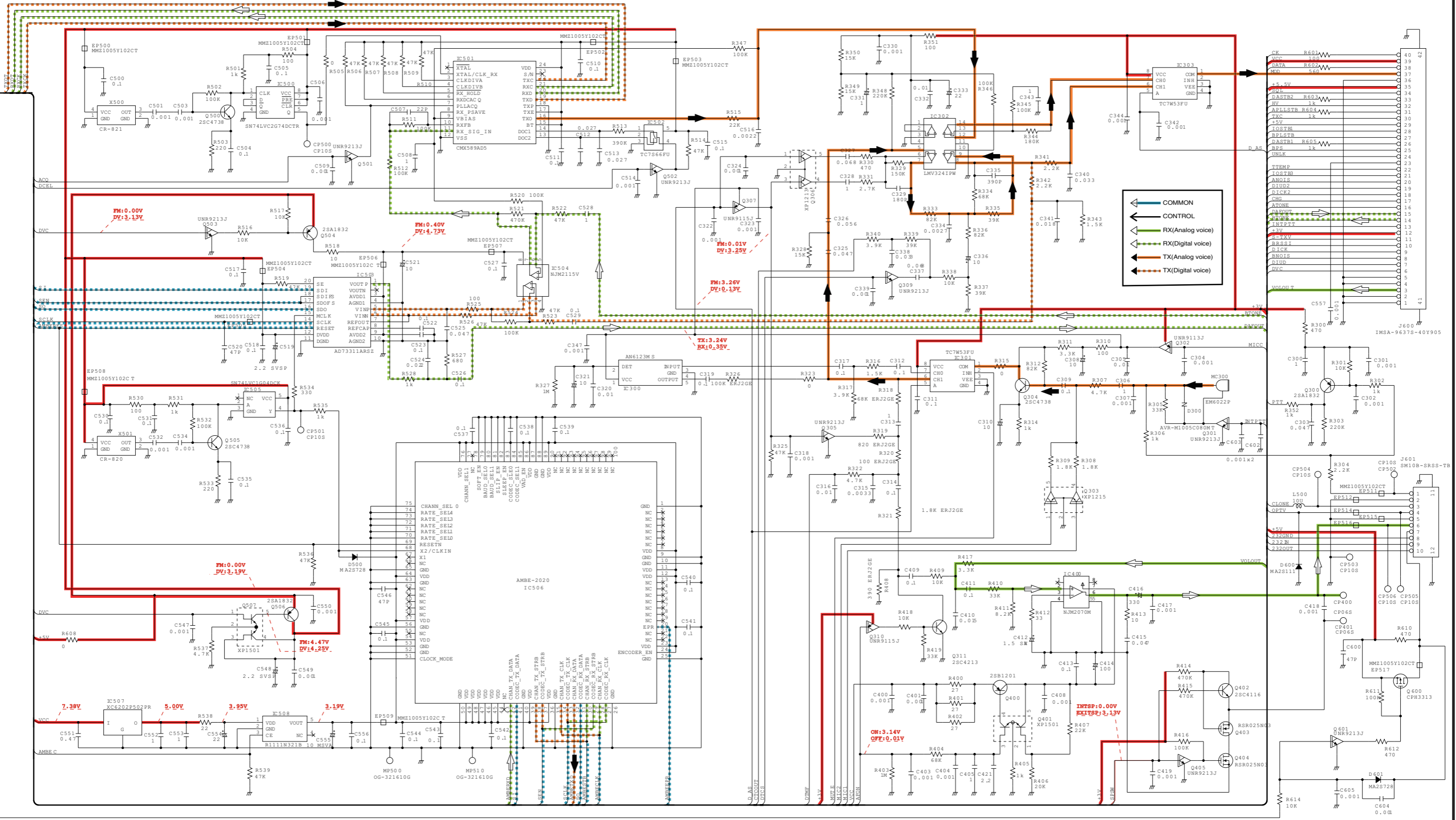
VOLTAGE DIAGRAM

LOGIC UNIT



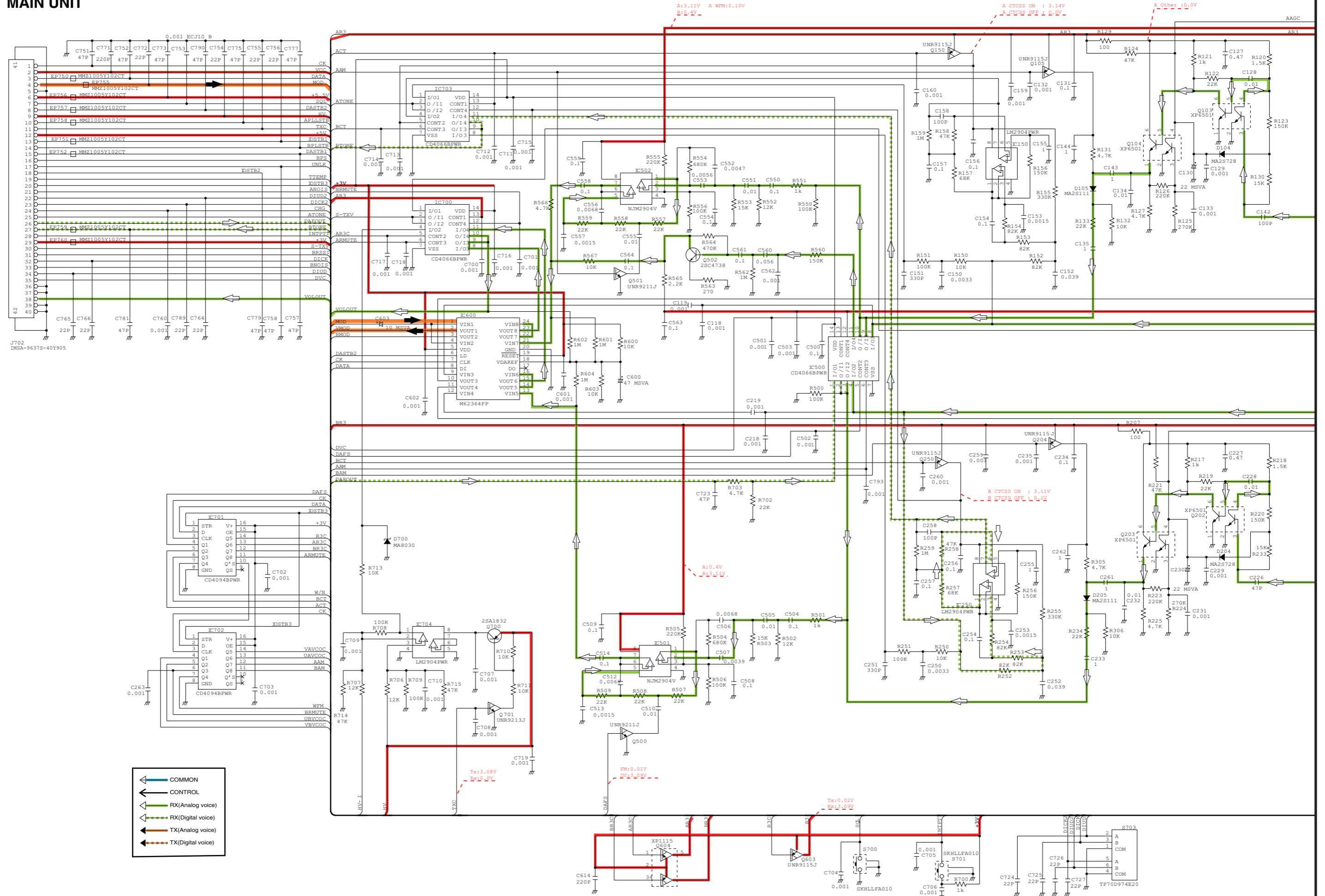
LIGHT ON :3.07V
LIGHT OFF:0.20V
*; Refer to "PARTS LIST."

LOGIC UNIT



*; Refer to "PARTS LIST"

MAIN UNIT

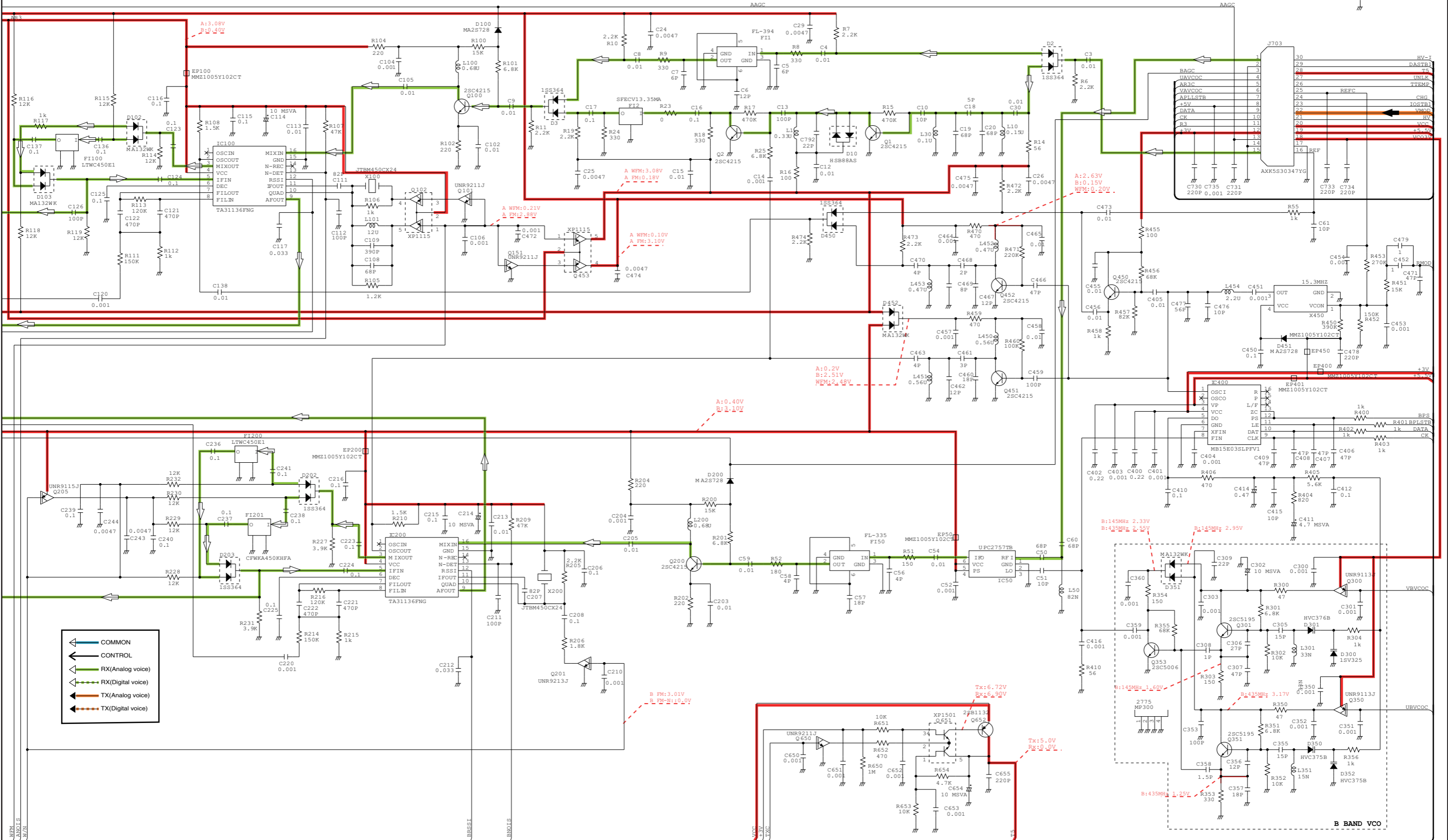


- ← COMMON
- ← CONTROL
- ← RX (Analog voice)
- ← RX (Digital voice)
- ← TX (Analog voice)
- ← TX (Digital voice)

*; Refer to "PARTS LIST."

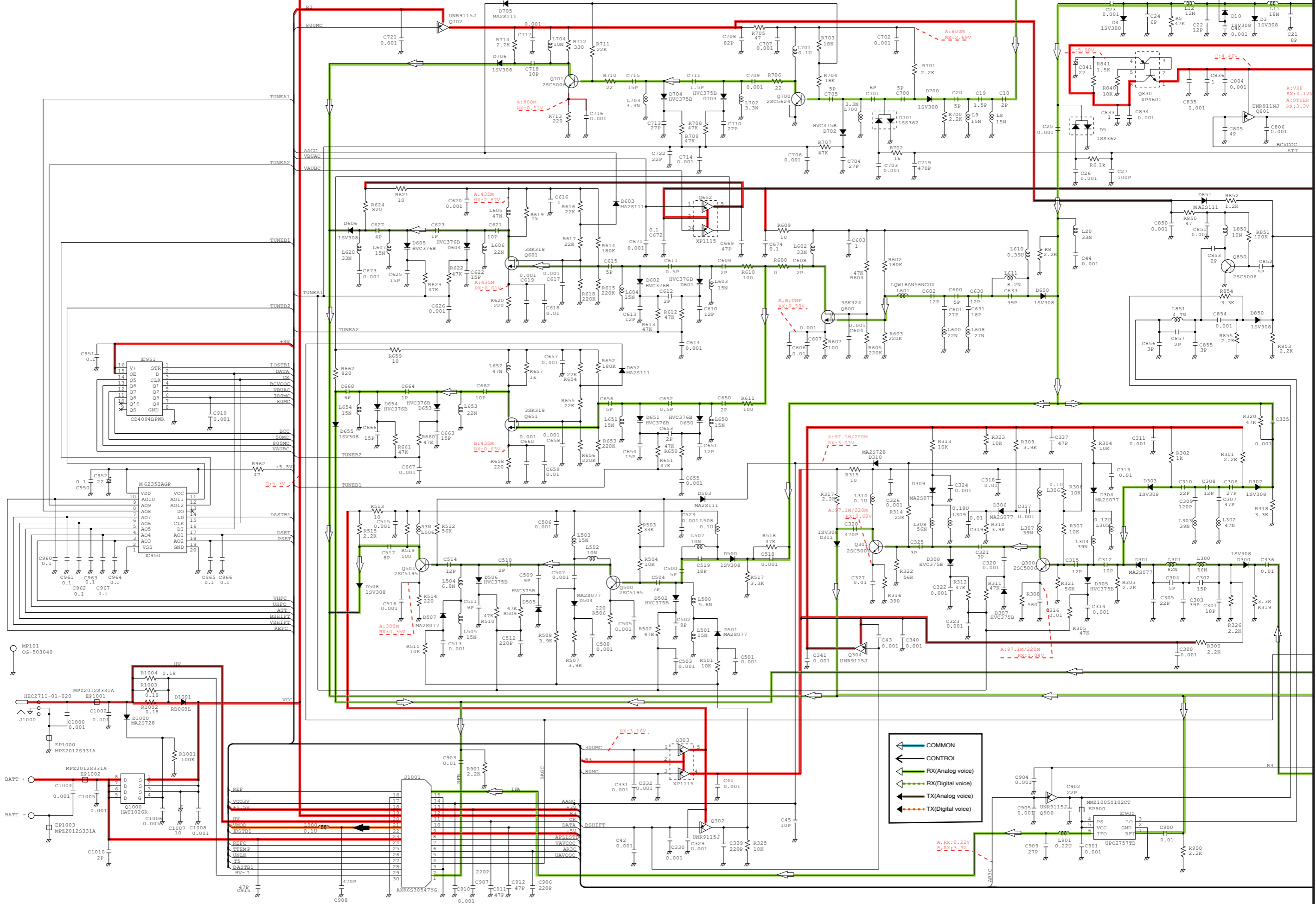
MAIN UNIT

MP302
OG-321610G



*; Refer to "PARTS LIST"

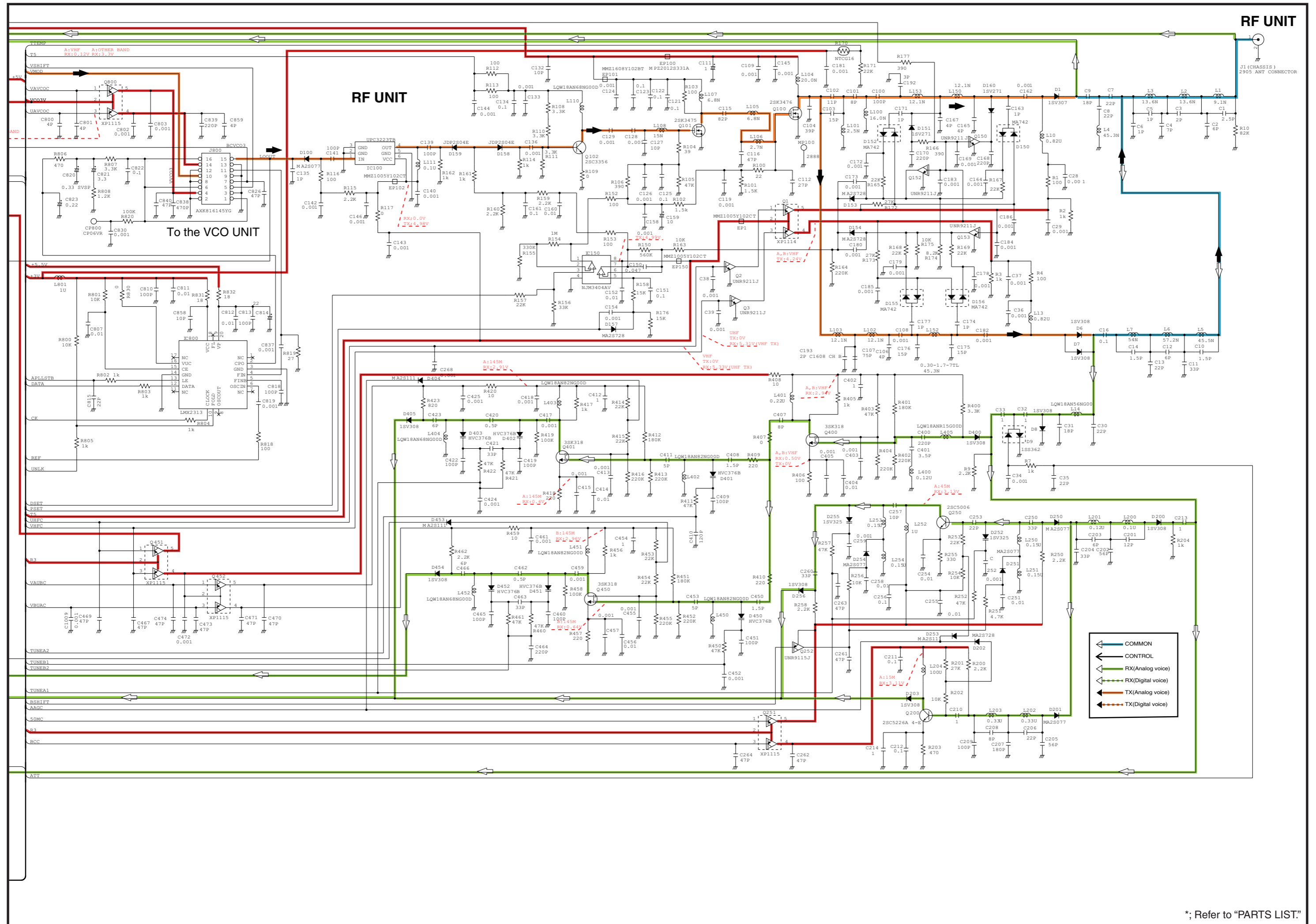
RF UNIT



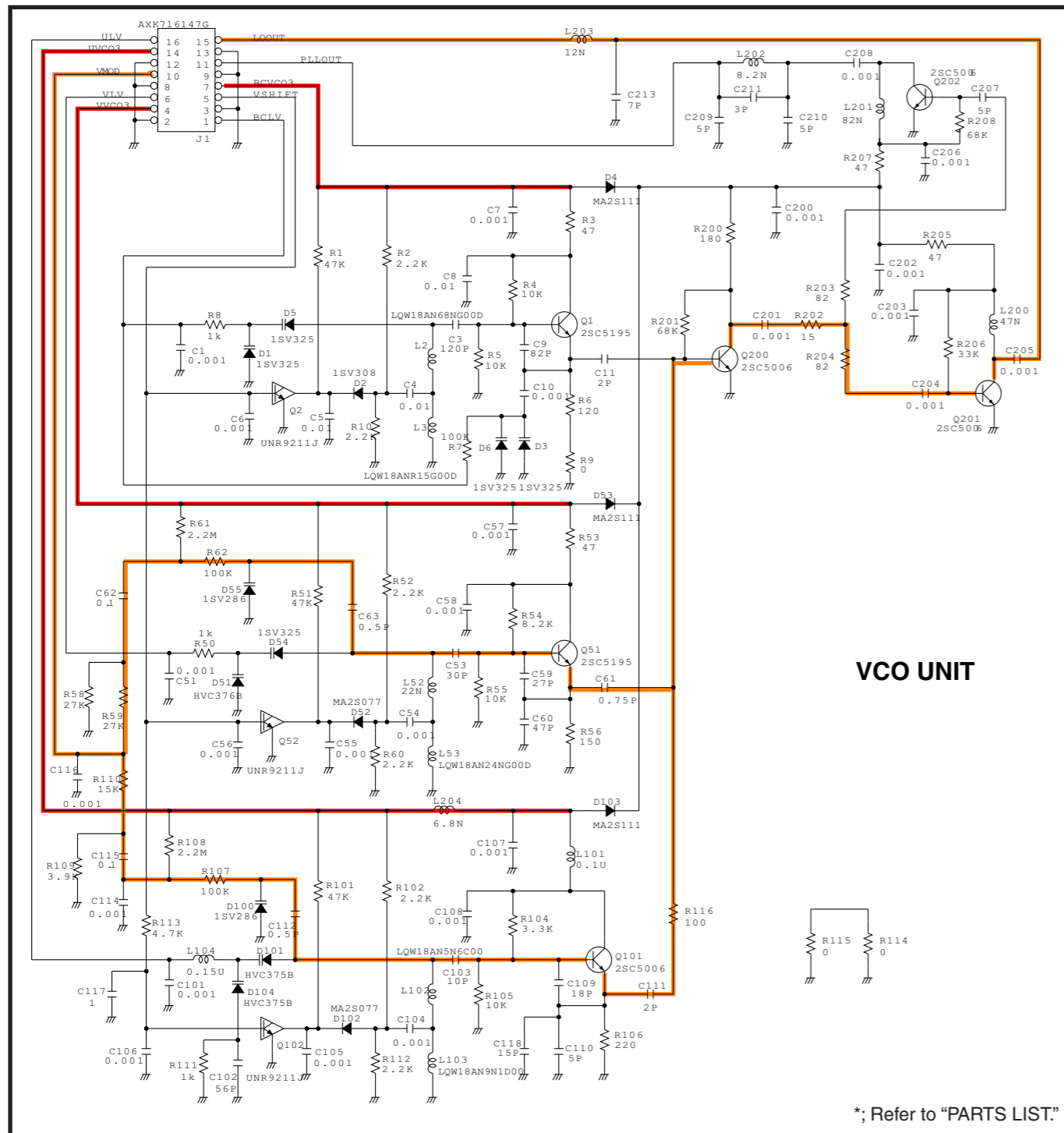
Legend:

- COMMON (Blue arrow)
- CONTROL (Green arrow)
- RX (Analog voice) (Red arrow)
- RX (Digital voice) (Green arrow)
- TX (Analog voice) (Blue arrow)
- TX (Digital voice) (Orange arrow)

*; Refer to "PARTS LIST"



*; Refer to "PARTS LIST"



Sep. 2008



SERVICE MANUAL ADDENDUM

IC-E92D

CONTENTS

PARTS LIST	1
BOARD LAYOUTS	13
VOLTAGE DIAGRAM	15

PARTS LIST

[RF UNIT]

REF NO.	PARTS NO.	DESCRIPTION	M.	H/V LOCATION
IC100	1110007060	S.IC UPC3223TB-E3	T	40.2/8.5
IC150	1110004050	S.IC NJM3404AV-TE1-#FMZB	B	27/5.5
IC800	1130013000	S.IC LMX2313USLDX/NOPB	T	29.6/27.2
IC900	1110005230	S.IC UPC2757TB-E3	T	39/16.6
IC950	1130012000	S.IC M62352AGP C60Q	T	35.1/40.4
IC951	1130011760	S.IC CD4094BPWR	B	33.8/41.9
Q1	1590002010	S.TRA XP1114(TX)	B	4.7/10.9
Q2	1590003280	S.TRA UNR9211J-(TX)	B	4.7/8.2
Q3	1590003280	S.TRA UNR9211J-(TX)	B	7/11.2
Q100	1560001151	S.FET 2SK3476(TE12L,Q)	T	14.6/9.4
Q101	1560001161	S.FET 2SK3475(TE12L,F)	T	25.4/8.1
Q102	1530000371	S.TRA 2SC3356-T1B S (R25)	T	33.1/5.8
Q150	1590003280	S.TRA UNR9211J-(TX)	T	17.9/22.9
Q152	1590003280	S.TRA UNR9211J-(TX)	T	18/19.1
Q153	1590003280	S.TRA UNR9211J-(TX)	B	10.1/16.8
Q200	1530003431	S.TRA 2SC5226-4-TL-E 2	B	28.2/15.4
Q250	1530003260	S.TRA 2SC5006-T1	T	24.9/14.8
Q251	1590002380	S.TRA XP1115(TX)	T	23.2/21.9
Q252	1590003250	S.TRA UNR9115J-(TX)	T	33.1/18.6
Q300	1530003260	S.TRA 2SC5006-T1	B	13.6/27.6
Q301	1530003260	S.TRA 2SC5006-T1	B	23.9/26.7
Q302	1590003250	S.TRA UNR9115J-(TX)	B	4.7/36.1
Q303	1590002380	S.TRA XP1115(TX)	B	3.8/33.5
Q304	1590003250	S.TRA UNR9115J-(TX)	T	20.1/24.8
Q400	1580000790	S.FET 3SK318YB-TL-E	B	20.6/21.1
Q401	1580000790	S.FET 3SK318YB-TL-E	B	32.1/19.1
Q450	1580000790	S.FET 3SK318YB-TL-E	B	29.7/24.1
Q451	1590002380	S.TRA XP1115(TX)	B	44.5/20.9
Q452	1590002380	S.TRA XP1115(TX)	B	41.6/19.6
Q500	1530003560	S.TRA 2SC5195-T1 0	B	10.3/40.2
Q501	1530003560	S.TRA 2SC5195-T1 0	B	19.5/39.2
Q600	1580000800	S.FET 3SK324UG-TL-E	B	21.7/32.9
Q601	1580000790	S.FET 3SK318YB-TL-E	B	37.1/29.8
Q651	1580000790	S.FET 3SK318YB-TL-E	B	37.8/34.2
Q652	1590002380	S.TRA XP1115(TX)	B	41.6/22.1
Q700	1530003781	S.TRA 2SC5624VH-TL-E	T	13.9/40.7
Q701	1530003260	S.TRA 2SC5006-T1	T	15.6/37
Q702	1590003250	S.TRA UNR9115J-(TX)	T	23/33.6
Q800	1590002380	S.TRA XP1115(TX)	T	45.8/20.6
Q801	1590003260	S.TRA UNR911NJ-(TX)	T	43.5/21
Q830	1590001650	S.TRA XP4601(TX)	T	42.5/39
Q850	1530003260	S.TRA 2SC5006-T1	T	38.4/29.4
Q900	1590003250	S.TRA UNR9115J-(TX)	B	41.8/12.5
Q1000	1590003720	S.FET HAT1026R-EL-E	B	36.7/6.5
D1	1750000581	S.DIO 1SV307(TPH3,F)	T	13.7/28.1
D3	1790001621	S.DIO 1SV308(TPL3,F)	T	19.5/27.2
D4	1790001621	S.DIO 1SV308(TPL3,F)	T	16.5/31.5
D5	1790001161	S.DIO 1SS362(TE85R,F)	T	19.9/31.9
D6	1790001621	S.DIO 1SV308(TPL3,F)	T	7.9/21.4
D7	1790001621	S.DIO 1SV308(TPL3,F)	T	7.9/22.6
D8	1790001621	S.DIO 1SV308(TPL3,F)	B	7/21.4
D9	1790001161	S.DIO 1SS362(TE85R,F)	B	10.5/21
D10	1790001621	S.DIO 1SV308(TPL3,F)	T	20.5/28.8
D100	1790001260	S.DIO MA2S077-(TX)	T	41/22.8
D150	1790000980	S.DIO MA742(TX)	T	14.7/21.1
D151	1750000531	S.DIO 1SV271(TPH3,F)	T	14.2/18.9
D152	1790000980	S.DIO MA742(TX)	T	14.2/16.4
D153	1790001240	S.DIO MA2S728-(TX)	B	11/19.4
D154	1790001240	S.DIO MA2S728-(TX)	B	9.3/18.4
D155	1790000980	S.DIO MA742(TX)	B	4.2/14.6
D156	1790000980	S.DIO MA742(TX)	B	6.8/15
D157	1790001240	S.DIO MA2S728-(TX)	B	26.6/8.8
D158	1750001620	S.DIO JDP2S04E(TPH3)	T	35.2/5.1
D159	1750001620	S.DIO JDP2S04E(TPH3)	T	36.7/6.8
D160	1750000531	S.DIO 1SV271(TPH3,F)	T	15.6/24.4
D200	1790001621	S.DIO 1SV308(TPL3,F)	B	14.7/17.9
D201	1790001260	S.DIO MA2S077-(TX)	B	20.2/16.7
D202	1790001240	S.DIO MA2S728-(TX)	B	24.7/17.1
D203	1790001621	S.DIO 1SV308(TPL3,F)	B	33.2/14.3
D250	1790001260	S.DIO MA2S077-(TX)	B	22/17.1
D251	1790001260	S.DIO MA2S077-(TX)	T	28.3/18.4
D252	1750001270	S.VAR 1SV325(TPH3,F)	T	25.3/17.9
D253	1790001250	S.DIO MA2S111-(TX)	T	27.4/16.1
D254	1790001260	S.DIO MA2S077-(TX)	T	29.2/17.2
D255	1750001270	S.VAR 1SV325(TPH3,F)	T	30.7/13.2
D256	1790001621	S.DIO 1SV308(TPL3,F)	T	35.7/14.2
D300	1790001621	S.DIO 1SV308(TPL3,F)	B	10.4/24.1
D301	1790001260	S.DIO MA2S077-(TX)	B	8.5/28.6
D302	1790001621	S.DIO 1SV308(TPL3,F)	B	13.7/32.7
D303	1790001621	S.DIO 1SV308(TPL3,F)	B	6.8/31.1
D304	1790001260	S.DIO MA2S077-(TX)	B	8/31.1
D305	1750000721	S.VAR HVC375BTRF-E	B	11.3/31.1
D306	1790001260	S.DIO MA2S077-(TX)	B	15.4/23.4
D307	1750000721	S.VAR HVC375BTRF-E	B	18.5/26.1
D308	1750000721	S.VAR HVC375BTRF-E	B	19.6/27.7
D309	1790001260	S.DIO MA2S077-(TX)	B	22/26.8
D310	1790001240	S.DIO MA2S728-(TX)	B	13.6/24.5
D311	1790001621	S.DIO 1SV308(TPL3,F)	B	35.2/14.2

[RF UNIT]

REF NO.	PARTS NO.	DESCRIPTION	M.	H/V LOCATION
D400	1790001621	S.DIO 1SV308(TPL3,F)	B	13.8/22.4
D401	1750000771	S.VAR HVC376BTRF-E	B	28.6/19.5
D402	1750000771	S.VAR HVC376BTRF-E	B	37.3/17.5
D403	1750000771	S.VAR HVC376BTRF-E	B	41/16.5
D404	1790001250	S.DIO MA2S111-(TX)	B	28.7/21.3
D405	1790001621	S.DIO 1SV308(TPL3,F)	B	38.9/15.5
D450	1750000771	S.VAR HVC376BTRF-E	B	26.2/21.8
D451	1750000771	S.VAR HVC376BTRF-E	B	35.7/23.8
D452	1750000771	S.VAR HVC376BTRF-E	B	38.4/23.6
D453	1790001250	S.DIO MA2S111-(TX)	B	33.6/22.8
D454	1790001621	S.DIO 1SV308(TPL3,F)	B	46.5/26.6
D500	1790001621	S.DIO 1SV308(TPL3,F)	B	13.8/36.3
D501	1790001260	S.DIO MA2S077-(TX)	B	8/38.8
D502	1750000721	S.VAR HVC375BTRF-E	B	8/37.6
D503	1790001250	S.DIO MA2S111-(TX)	B	15.3/38.7
D504	1790001260	S.DIO MA2S077-(TX)	B	12.9/43.2
D505	1750000721	S.VAR HVC375BTRF-E	B	14/41.5
D506	1750000721	S.VAR HVC375BTRF-E	B	15.2/41.5
D507	1790001260	S.DIO MA2S077-(TX)	B	18.4/42.4
D508	1790001621	S.DIO 1SV308(TPL3,F)	B	36.4/14.2
D600	1790001621	S.DIO 1SV308(TPL3,F)	B	17.4/33.8
D601	1750000771	S.VAR HVC376BTRF-E	B	29.5/29.9
D602	1750000771	S.VAR HVC376BTRF-E	B	32.2/30.3
D603	1790001250	S.DIO MA2S111-(TX)	B	31.9/32.1
D604	1750000771	S.VAR HVC376BTRF-E	B	42.7/29.4
D605	1750000771	S.VAR HVC376BTRF-E	B	42.3/27.6
D606	1790001621	S.DIO 1SV308(TPL3,F)	B	38.9/14.3
D650	1750000771	S.VAR HVC376BTRF-E	B	28.2/34.5
D651	1750000771	S.VAR HVC376BTRF-E	B	31/34.4
D652	1790001250	S.DIO MA2S111-(TX)	B	41.7/32.5
D653	1750000771	S.VAR HVC376BTRF-E	B	44/35.9
D654	1750000771	S.VAR HVC376BTRF-E	B	46.9/35.9
D655	1790001621	S.DIO 1SV308(TPL3,F)	B	46/29.9
D700	1790001621	S.DIO 1SV308(TPL3,F)	T	19.4/44.1
D701	1790001161	S.DIO 1SS362(TE85R,F)	T	16.3/42.4
D702	1750000721	S.VAR HVC375BTRF-E	T	18/41.1
D703	1750000721	S.VAR HVC375BTRF-E	T	10.9/37.6
D704	1750000721	S.VAR HVC375BTRF-E	T	13/36.7
D705	1790001250	S.DIO MA2S111-(TX)	T	18/38.4
D706	1790001621	S.DIO 1SV308(TPL3,F)	T	36.1/16
D850	1790001621	S.DIO 1SV308(TPL3,F)	T	37.9/26.1
D851	1790001250	S.DIO MA2S111-(TX)	T	36/28.3
D1000	1790001240	S.DIO MA2S728-(TX)	B	40.9/5
D1001	1750000540	S.DIO RB060L-40 TE-25	B	40/2.2
L1	6200012660	S.COI 0.30-1.0-4TR 9.1N <COMO>	T	8.5/41
L2	6200012490	S.COI 0.30-0.9-6TR 13.6N <COMO>	T	6.4/38.6
L3	6200012490	S.COI 0.30-0.9-6TR 13.6N <COMO>	T	5.5/36
L4	6200012470	S.COI 0.30-1.7-7TL 45.3N <COMO>	T	12.6/31.2
L5	6200012910	S.COI 0.35-1.6-8TL 45.5N <COMO>	T	6.2/32.9
L6	6200012900	S.COI 0.30-2.0-7TL 57.2N <COMO>	T	9.2/29.7
L7	6200012460	S.COI 0.30-1.7-8TL 54N <COMO>	T	9.6/26.4
L8	6200007921	S.COI ELJRF 15NJFB	T	13.5/45.3
L9	6200007921	S.COI ELJRF 15NJFB	T	15.9/45.3
L10	6200004480	S.COI MLF1608D R82K-T	T	14.5/25.9
L11	6200009070	S.COI LQW18AN18NG00D (LQW1608A18NG00)	T	16.5/30.3
L12	6200010700	S.COI LQW18AN12NG00D	T	18.4/30
L13	6200004480	S.COI MLF1608D R82K-T	T	5.1/18.4
L14	6200010910	S.COI LQW18AN56NG00D	B	8.8/21.1
L20	6200007881	S.COI ELJRF 33NJFB	T	18.3/33.3
L100	6200013090	S.COI 0.26-1.1-5TR 1.5N <COMO>	T	11.7/16
L101	6200012850	S.COI 0.40-0.8-2TL 2.5N <COMO>	T	9.6/14.7
L102	6200012920	S.COI 0.20-1.0-4TL 12.1N <COMO>	T	4.4/12.3
L103	6200012920	S.COI 0.20-1.0-4TL 12.1N <COMO>	T	6.5/12.2
L104	6200012800	S.COI 0.40-1.5-5TL 20N <COMO>	T	6.7/9.4
L105	6200007961	S.COI ELJRF 6N8JFB (6.8)	T	20.7/8.6
L106	6200008011	S.COI ELJRF 2N7DFB (2.7)	T	19.1/8.1
L107	6200008570	S.COI LQW2BH6N8D03L	T	21.9/6.6
L108	6200007921	S.COI ELJRF 15NJFB	T	28.7/9.2
L110	6200011650	S.COI LQW18AN68NG00D	T	30.9/6.2
L111	6200011031	S.COI ELJRF R10JFB	T	37.4/8.1
L150	6200012920	S.COI 0.20-1.0-4TL 12.1N <COMO>	T	12.1/21.2
L152	6200012460	S.COI 0.30-1.7-8TL 54N <COMO>	T	4/15.9
L153	6200012920	S.COI 0.20-1.0-4TL 12.1N <COMO>	T	10.7/19.2
L200	6200006981	S.COI ELJRE R10GFA	B	15.4/19.7
L201	6200009571	S.COI ELJRE R12GFA	B	18/19.7
L202	6200005140	S.COI MLF1608D R33K-T	B	22/15.9
L203	6200005140	S.COI MLF1608D R33K-T	B	24.6/15.9
L204	6200002041	S.COI NLV25T-101J	B	30.8/14.3
L250	6200004600	S.COI MLF1608D R15K-T	T	26.5/18
L251	6200004600	S.COI MLF1608D R15K-T	T	28.2/19.6
L252	6200003960	S.COI MLF1608A 1R0K-T	T	26.6/14.2
L253	6200004600	S.COI MLF1608D R15K-T	T	28.9/14.4
L254	6200004600	S.COI MLF1608D R15K-T	T	30.9/16.1
L300	6200011001	S.COI ELJRF 56NJFB	B	9.5/26.2
L301	6200011021	S.COI ELJRF 82NJFB	B	10.4/27.8
L302	6200010991	S.COI ELJRF 47NJFB	B	9.6/33.2
L303	6200007871	S.COI ELJRF 39NJFB	B	8.3/33.7
L304	6200007871	S.COI ELJRF 39NJFB	B	10.2/30.6
L305	6200009571	S.COI ELJRE R12GFA	B	9.2/31.1

M.=Mounted side (T: Mounted on the Top side, B: Mounted on the Bottom side)
S.=Surface mount

[MAIN UNIT]

REF NO.	PARTS NO.	DESCRIPTION	M.	H/V LOCATION
L306	6200006981	S.COI ELJRE R10GFA	B	15.5/25.4
L307	6200007871	S.COI ELJRF 39NJFB	B	15.1/27.6
L308	6200011001	S.COI ELJRF 56NJFB	B	20.7/28.2
L309	6200009101	S.COI ELJRE R18GFA	B	20.8/26.1
L310	6200011031	S.COI ELJRF R10JFB	B	25.5/26.5
L400	6200013400	S.COI LQW15ANR12J00D	B	17.2/22.6
L401	6200009250	S.COI LQW18ANR22G00D (LQW1608AR22G00)	B	22.6/20.2
L402	6200011670	S.COI LQW18AN82NG00D	B	27.4/18.8
L403	6200011670	S.COI LQW18AN82NG00D	B	34.3/20.5
L404	6200011650	S.COI LQW18AN68NG00D	B	42.2/16.5
L405	6200011660	S.COI LQW18ANR15G00D	B	15.6/21.5
L450	6200011670	S.COI LQW18AN82NG00D	B	26.2/23
L451	6200011670	S.COI LQW18AN82NG00D	B	32.7/24.5
L452	6200011650	S.COI LQW18AN68NG00D	B	39.6/23
L500	6200007971	S.COI ELJRF 5N6DFB	B	9.7/36.7
L501	6200007921	S.COI ELJRF 15NJFB	B	8.5/36.5
L502	6200007941	S.COI ELJRF 10NJFB	B	11.9/40.3
L503	6200007921	S.COI ELJRF 15NJFB	B	10.9/41.6
L504	6200007961	S.COI ELJRF 6N8JFB (6.8)	B	17.4/41.2
L505	6200007921	S.COI ELJRF 15NJFB	B	17.4/42.8
L506	6200007881	S.COI ELJRF 33NJFB	B	17.8/37.8
L507	6200007941	S.COI ELJRF 10NJFB	B	11.8/36.3
L508	6200011031	S.COI ELJRF R10JFB	B	12.4/38.4
L600	6200010850	S.COI LQW18AN22NG00D (LQW1608A22NG00)	B	14.9/30.3
L601	6200010910	S.COI LQW18AN56NG00D	B	19.8/29.6
L602	6200011580	S.COI LQW18AN33NG00D	B	24.4/33.9
L603	6200009220	S.COI LQW18AN15NG00D (LQW1608A15NG00)	B	28.3/28.6
L604	6200009220	S.COI LQW18AN15NG00D (LQW1608A15NG00)	B	33.4/29
L605	6200009290	S.COI LQW18AN47NG00D (LQW1608A47NG00)	B	39.1/29.8
L606	6200010850	S.COI LQW18AN22NG00D (LQW1608A22NG00)	B	42.6/30.7
L607	6200009220	S.COI LQW18AN15NG00D (LQW1608A15NG00)	B	42.3/25.5
L608	6200009280	S.COI LQW18AN27NG00D (LQW1608A27NG00)	B	14.9/31.5
L610	6200005180	S.COI MLF1608D R39K-T	B	18.8/33.9
L611	6200007951	S.COI ELJRF 8N2JFB (8.2)	B	16.2/32.8
L620	6200007881	S.COI ELJRF 33NJFB	B	39.5/13.2
L650	6200009220	S.COI LQW18AN15NG00D (LQW1608A15NG00)	B	27/34.6
L651	6200009220	S.COI LQW18AN15NG00D (LQW1608A15NG00)	B	32.2/34.4
L652	6200009290	S.COI LQW18AN47NG00D (LQW1608A47NG00)	B	39.8/34.2
L653	6200010850	S.COI LQW18AN22NG00D (LQW1608A22NG00)	B	42.8/36
L654	6200009220	S.COI LQW18AN15NG00D (LQW1608A15NG00)	B	48.7/35.3
L700	6200008001	S.COI ELJRF 3N3DFB (3.3)	T	19.6/42.4
L701	6200011031	S.COI ELJRF R10JFB	T	12.2/39.6
L702	6200008001	S.COI ELJRF 3N3DFB (3.3)	T	9.6/38.3
L703	6200008001	S.COI ELJRF 3N3DFB (3.3)	T	14/35.3
L704	6200007941	S.COI ELJRF 10NJFB	T	17.1/37
L801	6200003960	S.COI MLF1608A 1R0K-T	T	24.2/29.2
L850	6200007941	S.COI ELJRF 10NJFB	T	40.4/30
L851	6200007981	S.COI ELJRF 4N7DFB (4.7)	T	37.1/18.1
L900	6200011031	S.COI ELJRF R10JFB	B	50.7/30.1
L901	6200009351	S.COI ELJRE R22GFA	T	41/16.5
R1	7030004980	S.RES ERJ2GEJ 101 X (100)	T	16.6/25.8
R2	7030005120	S.RES ERJ2GEJ 102 X (1K)	T	12.1/14.2
R3	7030005120	S.RES ERJ2GEJ 102 X (1K)	B	6.8/17.6
R4	7030004980	S.RES ERJ2GEJ 101 X (100)	B	4.7/16.4
R5	7030005240	S.RES ERJ2GEJ 473 X (47K)	T	15.9/32.6
R6	7030005120	S.RES ERJ2GEJ 102 X (1K)	T	19.7/34.3
R7	7030005120	S.RES ERJ2GEJ 102 X (1K)	B	13.3/21.3
R8	7030007290	S.RES ERJ2GEJ 222 X (2.2K)	T	17/34.5
R9	7030007290	S.RES ERJ2GEJ 222 X (2.2K)	B	13.3/19.5
R10	7030005080	S.RES ERJ2GEJ 823 X (82K)	T	10.3/41.7
R100	7030007250	S.RES ERJ2GEJ 220 X (22)	T	19.5/9.3
R101	7030005030	S.RES ERJ2GEJ 152 X (1.5K)	B	22.6/8.3
R102	7030005120	S.RES ERJ2GEJ 102 X (1K)	B	22.4/9.5
R103	7030004980	S.RES ERJ2GEJ 101 X (100)	T	23.4/5.7
R104	7030009200	S.RES ERJ2GEJ 390 X (39)	T	28.7/9.1
R105	7030005240	S.RES ERJ2GEJ 473 X (47K)	B	25.6/9.7
R106	7030009280	S.RES ERJ2GEJ 391 X	B	25.3/8.5
R108	7030007300	S.RES ERJ2GEJ 332 X (3.3K)	T	32.8/9.2
R109	7030010040	S.RES ERJ2GEJ-JPW	T	34.8/8.1
R110	7030007300	S.RES ERJ2GEJ 332 X (3.3K)	T	32.9/9.3
R111	7030007300	S.RES ERJ2GEJ 332 X (3.3K)	T	34.9/9.3
R112	7030004980	S.RES ERJ2GEJ 101 X (100)	T	30.8/8.5
R113	7030004980	S.RES ERJ2GEJ 101 X (100)	T	29.9/8.5
R114	7030005120	S.RES ERJ2GEJ 102 X (1K)	T	36.6/4.8
R115	7030007290	S.RES ERJ2GEJ 222 X (2.2K)	T	38.4/10.2
R116	7030004980	S.RES ERJ2GEJ 101 X (100)	T	40.8/10.2
R117	7030010040	S.RES ERJ2GEJ-JPW	T	43.4/1.1
R150	7030008310	S.RES ERJ2GEJ 564 X (560K)	B	31.7/6.5
R152	7030004980	S.RES ERJ2GEJ 101 X (100)	B	21.7/8.3
R153	7030004980	S.RES ERJ2GEJ 101 X (100)	B	31.4/4.9
R154	7030005160	S.RES ERJ2GEJ 105 X (1M)	B	22.6/4.3
R155	7030005230	S.RES ERJ2GEJ 334 X (330K)	B	22.6/5.9
R156	7030005060	S.RES ERJ2GEJ 333 X (33K)	B	22.1/7.1

[MAIN UNIT]

REF NO.	PARTS NO.	DESCRIPTION	M.	H/V LOCATION
R157	7030005220	S.RES ERJ2GEJ 223 X (22K)	B	20.5/6.3
R158	7030007340	S.RES ERJ2GEJ 153 X (15K)	B	29.9/8.1
R159	7030007290	S.RES ERJ2GEJ 222 X (2.2K)	T	38.5/2.4
R160	7030007290	S.RES ERJ2GEJ 222 X (2.2K)	T	37.6/3.6
R161	7030005120	S.RES ERJ2GEJ 102 X (1K)	T	36.7/3.6
R162	7030005120	S.RES ERJ2GEJ 102 X (1K)	T	38.3/5.6
R163	7030005050	S.RES ERJ2GEJ 103 X (10K)	B	32.6/7.3
R164	7030005110	S.RES ERJ2GEJ 224 X (220K)	B	12/17.5
R165	7030005220	S.RES ERJ2GEJ 223 X (22K)	T	16.1/18
R166	7030009280	S.RES ERJ2GEJ 391 X	T	18.3/17.7
R167	7030005220	S.RES ERJ2GEJ 223 X (22K)	B	16.4/20.3
R168	7030005220	S.RES ERJ2GEJ 223 X (22K)	B	3.1/12.3
R169	7030005220	S.RES ERJ2GEJ 223 X (22K)	B	9/15.5
R170	7510001661	S.THR NTCG16 4LH 473JT	B	7.8/2
R171	7030005220	S.RES ERJ2GEJ 223 X (22K)	B	7.2/3.3
R172	7030005600	S.RES ERJ2GEJ 273 X (27K)	T	16.4/21.9
R173	7030005600	S.RES ERJ2GEJ 273 X (27K)	B	4.4/12.7
R174	7030005210	S.RES ERJ2GEJ 822 X (8.2K)	T	16.8/16.8
R175	7030005050	S.RES ERJ2GEJ 103 X (10K)	B	2.2/12.3
R176	7030007340	S.RES ERJ2GEJ 153 X (15K)	B	31.1/8.6
R177	7030009280	S.RES ERJ2GEJ 391 X	T	20.1/21
R200	7030008410	S.RES ERJ2GEJ 392 X (3.9K)	B	25.4/13.5
R201	7030005240	S.RES ERJ2GEJ 473 X (47K)	B	26.8/17.1
R202	7030005240	S.RES ERJ2GEJ 473 X (47K)	B	26.3/15.9
R203	7030005030	S.RES ERJ2GEJ 152 X (1.5K)	B	27.2/13.4
R204	7030005120	S.RES ERJ2GEJ 102 X (1K)	B	13.6/16.7
R250	7030007290	S.RES ERJ2GEJ 222 X (2.2K)	T	22.8/18.8
R251	7030005040	S.RES ERJ2GEJ 472 X (4.7K)	T	31.1/18.1
R252	7030005240	S.RES ERJ2GEJ 473 X (47K)	T	24.2/18.8
R253	7030005220	S.RES ERJ2GEJ 223 X (22K)	T	25.3/16.2
R254	7030005050	S.RES ERJ2GEJ 103 X (10K)	T	27.6/14.7
R255	7030007280	S.RES ERJ2GEJ 331 X (330)	T	23.3/13.9
R256	7030005050	S.RES ERJ2GEJ 103 X (10K)	T	31.2/17.2
R257	7030005240	S.RES ERJ2GEJ 473 X (47K)	T	32.4/14.3
R258	7030007290	S.RES ERJ2GEJ 222 X (2.2K)	T	33.5/14.3
R300	7030007290	S.RES ERJ2GEJ 222 X (2.2K)	B	9.4/24.6
R301	7030007290	S.RES ERJ2GEJ 222 X (2.2K)	B	13.2/33.7
R302	7030005120	S.RES ERJ2GEJ 102 X (1K)	B	6.8/32.8
R303	7030007290	S.RES ERJ2GEJ 222 X (2.2K)	B	7.4/29.1
R304	7030005050	S.RES ERJ2GEJ 103 X (10K)	B	5.6/32.3
R305	7030005240	S.RES ERJ2GEJ 473 X (47K)	B	12.3/31.4
R306	7030005050	S.RES ERJ2GEJ 103 X (10K)	B	14.4/25.9
R307	7030005050	S.RES ERJ2GEJ 103 X (10K)	B	13.2/26.1
R308	7030008370	S.RES ERJ2GEJ 561 X (560)	B	11.6/27.8
R309	7030008410	S.RES ERJ2GEJ 392 X (3.9K)	B	17.4/25.9
R310	7030008410	S.RES ERJ2GEJ 392 X (3.9K)	B	16.8/24.6
R311	7030005240	S.RES ERJ2GEJ 473 X (47K)	B	16.1/29
R312	7030005240	S.RES ERJ2GEJ 473 X (47K)	B	18.6/28.2
R313	7030005050	S.RES ERJ2GEJ 103 X (10K)	B	23.1/25.2
R314	7030005220	S.RES ERJ2GEJ 223 X (22K)	B	21.9/29.4
R315	7030005530	S.RES ERJ2GEJ 100 X (10)	B	27/27.4
R316	7030009280	S.RES ERJ2GEJ 391 X	B	24.9/28.4
R317	7030007290	S.RES ERJ2GEJ 222 X (2.2K)	B	27/28.3
R318	7030007300	S.RES ERJ2GEJ 332 X (3.3K)	B	13.2/31.3
R319	7030007300	S.RES ERJ2GEJ 332 X (3.3K)	B	8.5/23.2
R320	7030005240	S.RES ERJ2GEJ 473 X (47K)	B	14.4/34
R321	7030005720	S.RES ERJ2GEJ 563 X (56K)	B	11.6/26
R322	7030005720	S.RES ERJ2GEJ 563 X (56K)	B	23.1/28.4
R323	7030005050	S.RES ERJ2GEJ 103 X (10K)	B	24.3/24.9
R325	7030005050	S.RES ERJ2GEJ 103 X (10K)	B	4.7/38
R326	7030007290	S.RES ERJ2GEJ 222 X (2.2K)	B	8.3/26.1
R400	7030007300	S.RES ERJ2GEJ 332 X (3.3K)	B	14.6/21
R401	7030008300	S.RES ERJ2GEJ 184 X (180K)	B	20.9/19.3
R402	7030005110	S.RES ERJ2GEJ 224 X (220K)	B	18.2/21.1
R403	7030005240	S.RES ERJ2GEJ 473 X (47K)	B	19.5/22.8
R404	7030005110	S.RES ERJ2GEJ 224 X (220K)	B	18.9/24
R405	7030005120	S.RES ERJ2GEJ 102 X (1K)	B	23.6/19.1
R406	7030004980	S.RES ERJ2GEJ 101 X (100)	B	22.5/23.1
R407	7030010040	S.RES ERJ2GEJ-JPW	B	24.5/20.7
R408	7030005530	S.RES ERJ2GEJ 100 X (10)	B	21.3/18.4
R409	7030004990	S.RES ERJ2GEJ 221 X (220)	B	25.4/18.9
R410	7030004990	S.RES ERJ2GEJ 221 X (220)	B	25.4/20.5
R411	7030005240	S.RES ERJ2GEJ 473 X (47K)	B	29.6/19
R412	7030008300	S.RES ERJ2GEJ 184 X (180K)	B	30.3/21.4
R413	7030005110	S.RES ERJ2GEJ 224 X (220K)	B	30.2/17.4
R414	7030005220	S.RES ERJ2GEJ 223 X (22K)	B	32.1/21.4
R415	7030005220	S.RES ERJ2GEJ 223 X (22K)	B	31.2/21.1
R416	7030005110	S.RES ERJ2GEJ 224 X (220K)	B	31.1/16.9
R417	7030005120	S.RES ERJ2GEJ 102 X (1K)	B	33.2/21.4
R418	7030004990	S.RES ERJ2GEJ 221 X (220)	B	34.8/16.9
R419	7030005090	S.RES ERJ2GEJ 104 X (100K)	B	36.4/18.9
R420	7030005530	S.RES ERJ2GEJ 100 X (10)	B	35.6/21
R421	7030005240	S.RES ERJ2GEJ 473 X (47K)	B	38.7/18.3
R422	7030005240	S.RES ERJ2GEJ 473 X (47K)	B	43.2/16.9
R423	7030009270	S.RES ERJ2GEJ 821 X (820)	B	41/13.9
R450	7030005240	S.RES ERJ2GEJ 473 X (47K)	B	23.5/21.9
R451	7030008300	S.RES ERJ2GEJ 184 X (180K)	B	29.1/22.3
R452	7030005110	S.RES ERJ2GEJ 224 X (220K)	B	27.5/24.1
R453	7030005220	S.RES ERJ2GEJ 223 X (22K)	B	33.7/25
R454	7030005220	S.RES ERJ2GEJ 223 X (22K)	B	31.6/22.6
R455	7030005110	S.RES ERJ2GEJ 224 X (220K)	B	27.9/25.3
R456	7030005120	S.RES ERJ2GEJ 102 X (1K)	B	31.5/24.5
R457	7030004990	S.RES ERJ2GEJ 221 X (220)	B	28.8/26.1
R458	7030005090	S.RES ERJ2GEJ 104 X (100K)	B	34.6/25
R459	7030005530	S.RES ERJ2GEJ 100 X (10)	B	33.6/26.2
R460	7030005240	S.RES ERJ2GEJ 473 X (47K)	B	36.7/25.6
R461	7030005240	S.RES ERJ2GEJ 473 X (47K)	B	37.1/24.7
R462	7030007290	S.RES ERJ2GEJ 222 X (2.2K)	B	37.1/21.5</

[RF UNIT]

REF NO.	PARTS NO.	DESCRIPTION	M.	H/V LOCATION
R501	7030005050	S.RES ERJ2GEJ 103 X (10K)	B	5.9/37.6
R502	7030005240	S.RES ERJ2GEJ 473 X (47K)	B	7.9/39.8
R503	7030005060	S.RES ERJ2GEJ 333 X (33K)	B	11.5/38.4
R504	7030005050	S.RES ERJ2GEJ 103 X (10K)	B	10.6/38.4
R506	7030004990	S.RES ERJ2GEJ 221 X (220)	B	9.7/41.9
R507	7030008410	S.RES ERJ2GEJ 392 X (3.9K)	B	12.8/44.6
R508	7030008410	S.RES ERJ2GEJ 392 X (3.9K)	B	13/41.9
R509	7030005240	S.RES ERJ2GEJ 473 X (47K)	B	16.3/41.2
R510	7030005240	S.RES ERJ2GEJ 473 X (47K)	B	16.3/42.8
R511	7030005050	S.RES ERJ2GEJ 103 X (10K)	B	19.5/42.8
R512	7030005720	S.RES ERJ2GEJ 563 X (56K)	B	17.8/39.8
R513	7030005530	S.RES ERJ2GEJ 100 X (10)	B	16.3/36.9
R514	7030004990	S.RES ERJ2GEJ 221 X (220)	B	20.2/40.7
R515	7030007290	S.RES ERJ2GEJ 222 X (2.2K)	B	18.5/36.6
R517	7030007300	S.RES ERJ2GEJ 332 X (3.3K)	B	14.3/35.2
R518	7030005240	S.RES ERJ2GEJ 473 X (47K)	B	16.4/35.4
R519	7030004980	S.RES ERJ2GEJ 101 X (100)	B	16.9/38.1
R602	7030008300	S.RES ERJ2GEJ 184 X (180K)	B	21.8/30.3
R603	7030005110	S.RES ERJ2GEJ 224 X (220K)	B	20.3/30.9
R604	7030005240	S.RES ERJ2GEJ 473 X (47K)	B	21.8/31.2
R605	7030005110	S.RES ERJ2GEJ 224 X (220K)	B	20.1/35.8
R607	7030004980	S.RES ERJ2GEJ 101 X (100)	B	22.8/36.4
R608	7030010040	S.RES ERJ2GEJ-JPW	B	23.9/30.8
R609	7030005530	S.RES ERJ2GEJ 100 X (10)	B	23/30.9
R610	7030004980	S.RES ERJ2GEJ 101 X (100)	B	24.8/30.3
R611	7030004980	S.RES ERJ2GEJ 101 X (100)	B	26/30.7
R612	7030005240	S.RES ERJ2GEJ 473 X (47K)	B	30.4/28.5
R613	7030005240	S.RES ERJ2GEJ 473 X (47K)	B	31.3/28.5
R614	7030008300	S.RES ERJ2GEJ 184 X (180K)	B	34.8/30.6
R615	7030005110	S.RES ERJ2GEJ 224 X (220K)	B	35.3/27.8
R616	7030005220	S.RES ERJ2GEJ 223 X (22K)	B	33.6/31.1
R617	7030005220	S.RES ERJ2GEJ 223 X (22K)	B	34/32.3
R618	7030005110	S.RES ERJ2GEJ 224 X (220K)	B	36.2/27.8
R619	7030005120	S.RES ERJ2GEJ 102 X (1K)	B	40.1/29.4
R620	7030004990	S.RES ERJ2GEJ 221 X (220)	B	38.9/27.7
R621	7030005530	S.RES ERJ2GEJ 100 X (10)	B	41/29.4
R622	7030005240	S.RES ERJ2GEJ 473 X (47K)	B	44.4/28.8
R623	7030005240	S.RES ERJ2GEJ 473 X (47K)	B	44.2/27.6
R624	7030009270	S.RES ERJ2GEJ 821 X (820)	B	42.7/24.2
R650	7030005240	S.RES ERJ2GEJ 473 X (47K)	B	29.2/35.8
R651	7030005240	S.RES ERJ2GEJ 473 X (47K)	B	30.1/35.8
R652	7030008300	S.RES ERJ2GEJ 184 X (180K)	B	38.9/31.5
R653	7030005110	S.RES ERJ2GEJ 224 X (220K)	B	35.7/34.1
R654	7030005220	S.RES ERJ2GEJ 223 X (22K)	B	40.1/32
R655	7030005220	S.RES ERJ2GEJ 223 X (22K)	B	38.9/32.4
R656	7030005110	S.RES ERJ2GEJ 224 X (220K)	B	35.7/35
R657	7030005120	S.RES ERJ2GEJ 102 X (1K)	B	40.8/33.9
R658	7030004990	S.RES ERJ2GEJ 221 X (220)	B	39.5/36.8
R659	7030005530	S.RES ERJ2GEJ 100 X (10)	B	42/33.5
R660	7030005240	S.RES ERJ2GEJ 473 X (47K)	B	44.9/37.3
R661	7030005240	S.RES ERJ2GEJ 473 X (47K)	B	45.8/37.1
R662	7030009270	S.RES ERJ2GEJ 821 X (820)	B	44.6/33.6
R700	7030007290	S.RES ERJ2GEJ 222 X (2.2K)	T	18.3/45.3
R701	7030007290	S.RES ERJ2GEJ 222 X (2.2K)	T	18/44
R702	7030005120	S.RES ERJ2GEJ 102 X (1K)	T	14.4/42.5
R703	7030008290	S.RES ERJ2GEJ 183 X (18K)	T	16.7/39.7
R704	7030008290	S.RES ERJ2GEJ 183 X (18K)	T	15.8/39.7
R705	7030004970	S.RES ERJ2GEJ 470 X (47)	T	17.9/40.1
R706	7030007250	S.RES ERJ2GEJ 220 X (22)	T	11.3/39.6
R707	7030005240	S.RES ERJ2GEJ 473 X (47K)	T	19.5/39.7
R708	7030005240	S.RES ERJ2GEJ 473 X (47K)	T	9.5/37.3
R709	7030005240	S.RES ERJ2GEJ 473 X (47K)	T	11.9/36.8
R710	7030007250	S.RES ERJ2GEJ 220 X (22)	T	14.3/38.5
R711	7030005220	S.RES ERJ2GEJ 223 X (22K)	T	15.9/38.5
R712	7030007280	S.RES ERJ2GEJ 331 X (330)	T	18/36.9
R713	7030004990	S.RES ERJ2GEJ 221 X (220)	T	15.8/35.3
R714	7030007290	S.RES ERJ2GEJ 222 X (2.2K)	T	19.2/36.4
R800	7030005050	S.RES ERJ2GEJ 103 X (10K)	T	24.7/30.3
R801	7030005050	S.RES ERJ2GEJ 103 X (10K)	T	26.8/26.5
R802	7030005120	S.RES ERJ2GEJ 102 X (1K)	T	26.4/28
R803	7030005120	S.RES ERJ2GEJ 102 X (1K)	T	26.4/28.9
R804	7030005120	S.RES ERJ2GEJ 102 X (1K)	T	28.5/30.3
R805	7030005120	S.RES ERJ2GEJ 102 X (1K)	T	29.7/30.2
R806	7030011170	S.RES RR0510P-471-D (470)	T	31.8/24.3
R807	7030009190	S.RES RR0510P-332-D (3.3K)	T	33.8/23.3
R808	7030005990	S.RES RR0510P-122-D (1.2K)	T	31.8/19.9
R818	7030004980	S.RES ERJ2GEJ 101 X (100)	T	33.1/30.2
R819	7030009530	S.RES ERJ2GEJ 270 X (27)	T	34.8/27.6
R820	7030005090	S.RES ERJ2GEJ 104 X (100K)	T	35/23.7
R830	7030010040	S.RES ERJ2GEJ-JPW	T	25.9/26.5
R831	7030010090	S.RES ERJ2GEJ 180 X (18)	T	26.8/24.9
R832	7030010090	S.RES ERJ2GEJ 180 X (18)	T	30.2/24.3
R840	7030005050	S.RES ERJ2GEJ 103 X (10K)	T	40.6/39.3
R841	7030005030	S.RES ERJ2GEJ 152 X (1.5K)	T	42/37.2
R850	7030004970	S.RES ERJ2GEJ 470 X (47)	T	36/30.4
R851	7030005310	S.RES ERJ2GEJ 124 X (120K)	T	36.9/30.4
R852	7030007570	S.RES ERJ2GEJ 122 X (1.2K)	T	36/26.3
R853	7030007290	S.RES ERJ2GEJ 222 X (2.2K)	T	39.3/26.2
R854	7030007300	S.RES ERJ2GEJ 332 X (3.3K)	T	37.5/27.8
R855	7030007290	S.RES ERJ2GEJ 222 X (2.2K)	T	39.3/27.1
R900	7030007290	S.RES ERJ2GEJ 222 X (2.2K)	B	33.9/15.4
R901	7030007290	S.RES ERJ2GEJ 222 X (2.2K)	B	45.8/28.2
R962	7030004970	S.RES ERJ2GEJ 470 X (47)	T	39/37.3
R1001	7030005090	S.RES ERJ2GEJ 104 X (100K)	B	41.7/8.2
R1002	7030011870	S.RES ERJ2BSFR18X (0.18)	B	45.3/2
R1003	7030011870	S.RES ERJ2BSFR18X (0.18)	B	44.4/2
R1004	7030011870	S.RES ERJ2BSFR18X (0.18)	B	43.5/2

[RF UNIT]

REF NO.	PARTS NO.	DESCRIPTION	M.	H/V LOCATION
C1	4030017560	S.CER ECJ0EC1H2R5B	T	6.7/41.3
C2	4030017580	S.CER ECJ0EC1H060C	T	6.2/40.1
C3	4030017350	S.CER ECJ0EC1H020B	T	7.2/36.8
C4	4030017590	S.CER ECJ0EC1H070C	T	4.2/38.2
C5	4030017340	S.CER ECJ0EC1H010B	T	7.2/35.2
C6	4030017340	S.CER ECJ0EC1H010B	T	11/33.5
C7	4030017400	S.CER ECJ0EC1H220J	T	12.7/33.1
C8	4030017400	S.CER ECJ0EC1H220J	T	14.3/33.1
C9	4030017390	S.CER ECJ0EC1H180J	T	14.9/31.4
C10	4030017550	S.CER ECJ0EC1H1R5B	T	8.7/33.4
C11	4030017660	S.CER ECJ0EC1H330J	T	6.9/30.1
C12	4030017580	S.CER ECJ0EC1H060C	T	11.3/28.9
C13	4030017400	S.CER ECJ0EC1H220J	T	6.9/29.2
C14	4030017550	S.CER ECJ0EC1H1R5B	T	9.3/24.5
C16	4030017330	S.CER ECJ0EF1C104Z	T	8.1/23.9
C18	4030017350	S.CER ECJ0EC1H020B	T	12.3/44.9
C19	4030017550	S.CER ECJ0EC1H1R5B	T	14.7/44.9
C20	4030017380	S.CER ECJ0EC1H050B	T	17.1/44.9
C21	4030017600	S.CER ECJ0EC1H080C	T	17/28.7
C22	4030017630	S.CER ECJ0EC1H120J	T	18.5/27.9
C23	4030017460	S.CER ECJ0EB1E102K	T	18.3/32.1
C24	4030017580	S.CER ECJ0EC1H060C	T	15.9/33.5
C25	4030017460	S.CER ECJ0EB1E102K	T	17.1/32.9
C26	4030017460	S.CER ECJ0EB1E102K	T	19.8/30.4
C27	4030017430	S.CER ECJ0EC1H101J	T	20.9/34.1
C28	4030017460	S.CER ECJ0EB1E102K	T	16.9/27
C29	4030017460	S.CER ECJ0EB1E102K	T	18.2/25.5
C30	4030017400	S.CER ECJ0EC1H220J	B	7.2/20
C31	4030017390	S.CER ECJ0EC1H180J	B	7.1/22.5
C32	4030018860	S.CER ECJ0EB0J105K	B	10.2/22.5
C33	4030018860	S.CER ECJ0EB0J105K	B	11.8/22.4
C34	4030017460	S.CER ECJ0EB1E102K	B	12.1/20.9
C35	4030017400	S.CER ECJ0EC1H220J	B	13.3/20.4
C36	4030017460	S.CER ECJ0EB1E102K	B	4.7/17.3
C37	4030017460	S.CER ECJ0EB1E102K	B	5.9/17
C38	4030017460	S.CER ECJ0EB1E102K	B	6.2/8.4
C39	4030017460	S.CER ECJ0EB1E102K	B	9/11.7
C40	4030017460	S.CER ECJ0EB1E102K	T	19.4/29.2
C41	4030017460	S.CER ECJ0EB1E102K	T	3.3/32.5
C42	4030017460	S.CER ECJ0EB1E102K	T	3.3/37.1
C43	4030017460	S.CER ECJ0EB1E102K	T	20.4/23.2
C44	4030017460	S.CER ECJ0EB1E102K	T	18.8/34.9
C45	4030017620	S.CER ECJ0EC1H100C	T	21.1/33.2
C100	4030017430	S.CER ECJ0EC1H101J	T	9/18.2
C101	4030017610	S.CER ECJ0EC1H090C	T	9/16.6
C102	4030011530	S.CER C1608 CH 1H 110J-T	T	10/12.4
C103	4030007030	S.CER C1608 CH 1H 150J-T	T	8.8/12.4
C104	4030007080	S.CER C1608 CH 1H 390J-T	T	8.8/9.8
C106	4030017570	S.CER ECJ0EC1H040B	T	3/12.3
C107	4030007110	S.CER C1608 CH 1H 680J-T	T	4.4/8.8
C108	4030017460	S.CER ECJ0EB1E102K	T	2.7/13.5
C109	4030017460	S.CER ECJ0EB1E102K	T	13.8/2.3
C111	4550007650	S.TAN F931V105MAABMA	T	7.8/5.1
C112	4030017650	S.CER ECJ0EC1H270J	T	18.6/9.3
C115	4030017680	S.CER ECJ0EC1H820J	T	22.2/9.1
C116	4030017420	S.CER ECJ0EC1H470J	T	19/6.9
C119	4030017460	S.CER ECJ0EB1E102K	T	20.4/9.8
C121	4030017330	S.CER ECJ0EF1C104Z	T	18.3/3.4
C122	4030017330	S.CER ECJ0EF1C104Z	T	18.3/4.3
C123	4030017330	S.CER ECJ0EF1C104Z	T	19.5/5.1
C124	4030017460	S.CER ECJ0EB1E102K	T	20.4/5.1
C125	4030016930	S.CER ECJ0EB1A104K	T	29.1/10.3
C126	4030017460	S.CER ECJ0EB1E102K	T	30.1/10.1
C127	4030017620	S.CER ECJ0EC1H100C	T	28.7/7.3
C128	4030017460	S.CER ECJ0EB1E102K	T	29.9/6.9
C129	4030017460	S.CER ECJ0EB1E102K	T	29.6/5.5
C132	4030017620	S.CER ECJ0EC1H100C	T	16.1/5.6
C133	4030017460	S.CER ECJ0EB1E102K	T	31.9/9.8
C134	4030017330	S.CER ECJ0EF1C104Z	T	33.1/10.4
C135	4030017340	S.CER ECJ0EC1H010B	T	39.3/25.3
C136	4030017460	S.CER ECJ0EB1E102K	T	35.1/3.5
C139	4030017430	S.CER ECJ0EC1H101J	T	38.3/7.2
C140	4030017460	S.CER ECJ0EB1E102K	T	38.3/8.8
C141	4030017430	S.CER ECJ0EC1H101J	T	42/9.6
C142	4030017460	S.CER ECJ0EB1E102K	T	39.6/10.5
C143	4030017460	S.CER ECJ0EB1E102K	T	42.5/1.8
C144	4030017460	S.CER ECJ0EB1E102K	T	31/10.1
C145	4030017460	S.CER ECJ0EB1E102K	T	6.2/6.9
C146	4030017460	S.CER ECJ0EB1E102K	T	36.8/10.2
C150	4030016950	S.CER ECJ0EB1A473K	B	32.6/5.7
C151	4030016930	S.CER ECJ0EB1A104K	B	31.1/7.7
C152	4030016790	S.CER ECJ0EB1C103K	B	25.7/3
C154	4030017460	S.CER ECJ0EB1E102K	B	27.7/9.2
C158	4030017460	S.CER ECJ0EB1E102K	B	23.5/8.3
C159	4550007600	S.TAN F920J106MPABMA	B	24/10.8
C160	4030016790	S.CER ECJ0EB1C103K	T	41.6/1.8
C161	4030016930	S.CER ECJ0EB1A104K	T	38.5/4
C162	4030017460	S.CER ECJ0EB1E102K	T	13.6/24.6
C163	4030017340	S.CER ECJ0EC1H010B	T	15/23
C164	4030017460	S.CER ECJ0EB1E102K	T	17.7

[RF UNIT]

REF NO.	PARTS NO.	DESCRIPTION	M.	H/V LOCATION
C174	4030017340	S.CER ECJ0EC1H010B	T	5.9/16.8
C175	4030017400	S.CER ECJ0EC1H220J	T	2.1/16.8
C176	4030017400	S.CER ECJ0EC1H220J	T	2.1/12.3
C177	4030017340	S.CER ECJ0EC1H010B	T	2.1/14.9
C178	4030017460	S.CER ECJ0EB1E102K	B	9/13.9
C179	4030017460	S.CER ECJ0EB1E102K	B	2.4/14.1
C180	4030017460	S.CER ECJ0EB1E102K	B	8.9/19.4
C181	4030017460	S.CER ECJ0EB1E102K	B	8.6/3.3
C182	4030017460	S.CER ECJ0EB1E102K	T	6.8/17.7
C183	4030017460	S.CER ECJ0EB1E102K	T	18.6/16.5
C184	4030017460	S.CER ECJ0EB1E102K	B	10.5/15.3
C185	4030017460	S.CER ECJ0EB1E102K	B	6/12.7
C186	4030017460	S.CER ECJ0EB1E102K	B	17.7/21.5
C192	4030017360	S.CER ECJ0EC1H030B	T	9/19.5
C193	4030009520	S.CER C1608 CH 1H 020B-T	T	3.9/10.7
C201	4030017630	S.CER ECJ0EC1H120J	B	16.9/18.6
C202	4030017500	S.CER ECJ0EB1H560J	B	18.1/18.3
C203	4030017580	S.CER ECJ0EC1H060C	B	19.3/18.6
C204	4030017660	S.CER ECJ0EC1H330J	B	19.1/17.4
C205	4030017500	S.CER ECJ0EC1H560J	B	22.7/13.6
C206	4030017400	S.CER ECJ0EC1H220J	B	22.5/14.8
C207	4030017710	S.CER ECJ0EC1H181J	B	23.6/13.6
C208	4030017600	S.CER ECJ0EC1H080C	B	24.1/14.8
C209	4030017430	S.CER ECJ0EC1H101J	B	24.5/13.6
C210	4030018860	S.CER ECJ0EB0J105K	B	25.7/14.7
C211	4030016930	S.CER ECJ0EB1A104K	B	29/13.4
C212	4030016930	S.CER ECJ0EB1A104K	B	28.1/13.4
C213	4030018860	S.CER ECJ0EB0J105K	B	13.6/18.3
C214	4030018860	S.CER ECJ0EB0J105K	B	26.3/13.5
C250	4030017660	S.CER ECJ0EC1H330J	T	22.8/17.1
C251	4030016790	S.CER ECJ0EB1C103K	T	29.9/18.5
C252	4030017460	S.CER ECJ0EB1E102K	T	25.1/19.9
C253	4030017400	S.CER ECJ0EC1H220J	T	24.1/16.8
C254	4030016790	S.CER ECJ0EB1C103K	T	23.3/15.5
C255	4030016790	S.CER ECJ0EB1C103K	T	25.5/13
C256	4030016930	S.CER ECJ0EB1A104K	T	24.6/13
C257	4030017620	S.CER ECJ0EC1H100C	T	28.6/12.7
C258	4030016790	S.CER ECJ0EB1C103K	T	31.1/19
C259	4030017460	S.CER ECJ0EB1E102K	T	31.4/14.5
C260	4030017660	S.CER ECJ0EC1H330J	T	30.2/14.2
C261	4030017420	S.CER ECJ0EC1H470J	T	32.6/16.7
C262	4030017420	S.CER ECJ0EC1H470J	T	25.2/21.1
C263	4030017420	S.CER ECJ0EC1H470J	T	33.4/15.5
C264	4030017420	S.CER ECJ0EC1H470J	T	22.4/24.2
C268	4030017460	S.CER ECJ0EB1E102K	T	34.5/13.1
C300	4030017460	S.CER ECJ0EB1E102K	B	8.2/24.1
C301	4030017390	S.CER ECJ0EC1H180J	B	8.2/25.2
C302	4030017640	S.CER ECJ0EC1H150J	B	10.4/26.2
C303	4030017670	S.CER ECJ0EC1H390J	B	8.3/27
C304	4030017380	S.CER ECJ0EC1H050B	B	9.5/27.8
C305	4030017400	S.CER ECJ0EC1H220J	B	7.2/27.9
C306	4030017650	S.CER ECJ0EC1H270J	B	12/33
C307	4030017420	S.CER ECJ0EC1H470J	B	10.8/33.6
C308	4030017630	S.CER ECJ0EC1H120J	B	9.9/34.7
C309	4030017690	S.CER ECJ0EC1H121J	B	8.3/34.6
C310	4030017400	S.CER ECJ0EC1H220J	B	7.1/34
C311	4030017460	S.CER ECJ0EB1E102K	B	6.2/34.5
C312	4030017620	S.CER ECJ0EC1H100C	B	9.8/29.4
C313	4030016790	S.CER ECJ0EB1C103K	B	8.4/32.8
C314	4030017460	S.CER ECJ0EB1E102K	B	10.8/32.7
C315	4030017630	S.CER ECJ0EC1H120J	B	11.6/29
C316	4030016790	S.CER ECJ0EB1C103K	B	11.6/26.9
C317	4030017460	S.CER ECJ0EB1E102K	B	16.5/25.9
C318	4030016790	S.CER ECJ0EB1C103K	B	11.8/25.1
C319	4030016790	S.CER ECJ0EB1C103K	B	12.2/24.2
C320	4030017460	S.CER ECJ0EB1E102K	B	16.3/27.1
C321	4030017360	S.CER ECJ0EC1H030B	B	16.3/28
C322	4030017460	S.CER ECJ0EB1E102K	B	19.5/25.6
C323	4030017460	S.CER ECJ0EB1E102K	B	14.5/29
C324	4030017460	S.CER ECJ0EB1E102K	B	21.9/24.8
C325	4030017360	S.CER ECJ0EC1H030B	B	21.9/28.5
C326	4030017460	S.CER ECJ0EB1E102K	B	25.8/28.2
C327	4030016790	S.CER ECJ0EB1C103K	B	24/28.4
C328	4030017730	S.CER ECJ0EB1E471K	B	26.7/26.5
C329	4030017460	S.CER ECJ0EB1E102K	B	3/35.3
C330	4030017460	S.CER ECJ0EB1E102K	B	2.8/36.5
C331	4030017460	S.CER ECJ0EB1E102K	B	4.5/31.2
C332	4030017460	S.CER ECJ0EB1E102K	B	2.7/31.6
C335	4030017460	S.CER ECJ0EB1E102K	B	15.6/34
C336	4030016790	S.CER ECJ0EB1C103K	B	11.8/23.3
C337	4030017420	S.CER ECJ0EC1H470J	B	25.2/24.9
C339	4030017440	S.CER ECJ0EC1H221J	B	3.8/38
C340	4030017460	S.CER ECJ0EB1E102K	T	20.6/26.7
C341	4030017460	S.CER ECJ0EB1E102K	T	18.2/26.4
C400	4030017440	S.CER ECJ0EC1H221J	B	17/20.7
C401	4030017370	S.CER ECJ0EC1H3R5B	B	17/21.6
C402	4030018860	S.CER ECJ0EB0J105K	B	19.8/24
C403	4030017460	S.CER ECJ0EB1E102K	B	17.7/23.5
C404	4030016790	S.CER ECJ0EB1C103K	B	21.6/23.1
C405	4030017460	S.CER ECJ0EB1E102K	B	20.7/23.2
C407	4030017600	S.CER ECJ0EC1H080C	B	23.6/20.7
C408	4030017550	S.CER ECJ0EC1H1R5B	B	26.3/18.9
C409	4030017430	S.CER ECJ0EC1H101J	B	28.4/17.4
C410	4030017690	S.CER ECJ0EC1H121J	B	29.3/17.4
C411	4030017380	S.CER ECJ0EC1H050B	B	29.9/20.2
C412	4030018860	S.CER ECJ0EB0J105K	B	33.2/16.4
C413	4030017460	S.CER ECJ0EB1E102K	B	32/16.9
C414	4030016790	S.CER ECJ0EB1C103K	B	34.2/18.7

[RF UNIT]

REF NO.	PARTS NO.	DESCRIPTION	M.	H/V LOCATION
C415	4030017460	S.CER ECJ0EB1E102K	B	34.8/17.8
C417	4030017460	S.CER ECJ0EB1E102K	B	35.5/19
C418	4030017460	S.CER ECJ0EB1E102K	B	33.2/17.3
C419	4030017430	S.CER ECJ0EC1H101J	B	36.3/17.2
C420	4030017530	S.CER ECJ0EC1H0R5B	B	38.7/17.4
C421	4030017660	S.CER ECJ0EC1H330J	B	38.7/16.5
C422	4030017430	S.CER ECJ0EC1H101J	B	41.4/14.8
C423	4030017580	S.CER ECJ0EC1H060C	B	39.9/16.8
C424	4030017460	S.CER ECJ0EB1E102K	B	38.5/19.2
C425	4030017460	S.CER ECJ0EB1E102K	B	36.5/20.1
C450	4030017550	S.CER ECJ0EC1H1R5B	B	26.6/20.8
C451	4030017430	S.CER ECJ0EC1H101J	B	24.3/23.1
C452	4030017460	S.CER ECJ0EB1E102K	B	23.4/23.1
C453	4030017380	S.CER ECJ0EC1H050B	B	27.9/22.6
C454	4030018860	S.CER ECJ0EB0J105K	B	31.5/26.1
C455	4030017460	S.CER ECJ0EB1E102K	B	26.7/25
C456	4030016790	S.CER ECJ0EB1C103K	B	30.6/26.1
C457	4030017460	S.CER ECJ0EB1E102K	B	29.7/26.1
C459	4030017460	S.CER ECJ0EB1E102K	B	34/23.8
C460	4030017430	S.CER ECJ0EC1H101J	B	35.5/25.9
C461	4030017460	S.CER ECJ0EB1E102K	B	32.4/26.6
C462	4030017530	S.CER ECJ0EC1H0R5B	B	37.1/22.9
C463	4030017660	S.CER ECJ0EC1H330J	B	37.1/23.8
C464	4030017440	S.CER ECJ0EC1H221J	B	36.7/26.5
C465	4030017430	S.CER ECJ0EC1H101J	B	38.7/25.2
C466	4030017580	S.CER ECJ0EC1H060C	B	38.3/21.9
C467	4030017420	S.CER ECJ0EC1H470J	B	46.2/19.4
C469	4030017420	S.CER ECJ0EC1H470J	B	46.1/22.7
C470	4030017420	S.CER ECJ0EC1H470J	B	38/20.7
C471	4030017420	S.CER ECJ0EC1H470J	B	39.2/20.1
C472	4030017460	S.CER ECJ0EB1E102K	B	44.4/17.7
C473	4030017420	S.CER ECJ0EC1H470J	B	44.9/18.9
C474	4030017420	S.CER ECJ0EC1H470J	B	40.9/24.2
C500	4030017380	S.CER ECJ0EC1H050B	B	10.6/36.7
C501	4030017460	S.CER ECJ0EB1E102K	B	5.9/38.5
C502	4030017610	S.CER ECJ0EC1H090C	B	7.2/36.2
C503	4030017460	S.CER ECJ0EB1E102K	B	7.9/40.7
C504	4030017590	S.CER ECJ0EC1H070C	B	9.7/38.4
C505	4030017460	S.CER ECJ0EB1E102K	B	8.8/41.9
C506	4030017460	S.CER ECJ0EB1E102K	B	10.6/42.8
C507	4030017460	S.CER ECJ0EB1E102K	B	12.1/41.9
C508	4030017460	S.CER ECJ0EB1E102K	B	13.7/44.6
C509	4030017610	S.CER ECJ0EC1H090C	B	12.8/40.3
C510	4030017350	S.CER ECJ0EC1H020B	B	14/39.8
C511	4030017610	S.CER ECJ0EC1H090C	B	15.2/43.6
C512	4030017440	S.CER ECJ0EC1H221J	B	16.3/44.4
C513	4030017460	S.CER ECJ0EB1E102K	B	18/44.1
C514	4030017630	S.CER ECJ0EC1H120J	B	18.6/40.7
C515	4030017460	S.CER ECJ0EB1E102K	B	19.9/37.6
C516	4030017460	S.CER ECJ0EB1E102K	B	20.2/41.6
C517	4030017600	S.CER ECJ0EC1H080C	B	18.7/37.8
C518	4030017460	S.CER ECJ0EB1E102K	B	15.5/35.4
C519	4030017390	S.CER ECJ0EC1H180J	B	11.8/37.2
C523	4030017460	S.CER ECJ0EB1E102K	B	13.3/37.6
C600	4030017380	S.CER ECJ0EC1H050B	B	18.2/30.8
C601	4030017650	S.CER ECJ0EC1H270J	B	17/30.3
C602	4030017630	S.CER ECJ0EC1H120J	B	17.7/29.4
C603	4030018860	S.CER ECJ0EB0J105K	B	26/35.3
C604	4030017460	S.CER ECJ0EB1E102K	B	20/34.6
C606	4030016790	S.CER ECJ0EB1C103K	B	21.9/36.4
C607	4030017460	S.CER ECJ0EB1E102K	B	22.4/35.2
C608	4030017350	S.CER ECJ0EC1H020B	B	23.8/32.4
C609	4030017350	S.CER ECJ0EC1H020B	B	26/29.8
C610	4030017630	S.CER ECJ0EC1H120J	B	29.4/27.7
C611	4030017530	S.CER ECJ0EC1H0R5B	B	30.8/31
C612	4030017350	S.CER ECJ0EC1H020B	B	30.8/29.7
C613	4030017630	S.CER ECJ0EC1H120J	B	32.3/28.2
C614	4030017460	S.CER ECJ0EB1E102K	B	31.2/27.3
C615	4030017380	S.CER ECJ0EC1H050B	B	34.8/29.7
C616	4030018860	S.CER ECJ0EB0J105K	B	34.4/27.8
C617	4030017460	S.CER ECJ0EB1E102K	B	37.1/27.8
C618	4030016790	S.CER ECJ0EB1C103K	B	38/27.7
C619	4030017460	S.CER ECJ0EB1E102K	B	39.8/27.7
C620	4030017460	S.CER ECJ0EB1E102K	B	40.7/27.8
C621	4030017620	S.CER ECJ0EC1H100C	B	40.4/30.6
C622	4030017640	S.CER ECJ0EC1H150J	B	44.3/30.4
C623	4030017340	S.CER ECJ0EC1H010B	B	41.8/28.1
C625	4030017640	S.CER ECJ0EC1H150J	B	44/26.4
C626	4030017460	S.CER ECJ0EB1E102K	B	45.2/26.7
C627	4030017570	S.CER ECJ0EC1H040B	B	41.8/24.2
C630	4030017630	S.CER ECJ0EC1H120J	B	17.4/32.1
C631	4030017390	S.CER ECJ0EC1H180J	B	17/31.2
C633	4030017670	S.CER ECJ0EC1H390J	B	15.3/32.8
C650	4030017350	S.CER ECJ0EC1H020B	B	27.6/30.4
C651	4030017630	S.CER ECJ0EC1H120J	B	27.3/36.3
C652	4030017530	S.CER ECJ0EC1H0R5B	B	29.6/33.7
C653	4030017350	S.CER ECJ0EC1H020B	B	29.6/34.6
C654	4030017640	S.CER ECJ0EC1H150J	B	31/36.4
C655	4030017460	S.CER ECJ0EB1E102K	B	29.6/37
C656	4030017380	S.CER ECJ0EC1H050B	B	33.6/33.6
C657	4030017460	S.CER ECJ0EB1E102K	B	40.9/36.3
C658	4030017460	S.CER ECJ0EB1E102K	B	36.5/36.2
C659	40300167			

[RF UNIT]

REF NO.	PARTS NO.	DESCRIPTION	M.	H/V LOCATION
C667	4030017460	S.CER ECJ0EB1E102K	B	44.9/38.9
C668	4030017570	S.CER ECJ0EC1H040B	B	45.9/33.8
C669	4030017420	S.CER ECJ0EC1H470J	B	43.9/24.4
C671	4030017460	S.CER ECJ0EB1E102K	T	43/23.8
C672	4030016930	S.CER ECJ0EB1A104K	B	44.1/22.7
C673	4030017460	S.CER ECJ0EB1E102K	B	39.6/11.3
C674	4030016930	S.CER ECJ0EB1A104K	B	23.5/29.6
C700	4030017380	S.CER ECJ0EC1H050B	T	18/43.1
C701	4030017580	S.CER ECJ0EC1H060C	T	18/42.2
C702	4030017460	S.CER ECJ0EB1E102K	T	16.4/44
C703	4030017460	S.CER ECJ0EB1E102K	T	14.8/43.7
C704	4030017650	S.CER ECJ0EC1H270J	T	20/41.5
C705	4030017380	S.CER ECJ0EC1H050B	T	15.9/40.9
C706	4030017460	S.CER ECJ0EB1E102K	T	20/40.6
C707	4030017460	S.CER ECJ0EB1E102K	T	12.2/41.2
C708	4030017680	S.CER ECJ0EC1H820J	T	20/38.2
C709	4030017460	S.CER ECJ0EB1E102K	T	10.4/39.6
C710	4030017650	S.CER ECJ0EC1H270J	T	9.5/36.4
C711	4030017550	S.CER ECJ0EC1H1R5B	T	12.5/38.4
C713	4030017650	S.CER ECJ0EC1H270J	T	13/34.7
C714	4030017460	S.CER ECJ0EB1E102K	T	9.5/35.5
C715	4030017640	S.CER ECJ0EC1H150J	T	14/36.9
C716	4030017460	S.CER ECJ0EB1E102K	T	14.9/35.3
C717	4030017460	S.CER ECJ0EB1E102K	T	17.9/35.3
C718	4030017620	S.CER ECJ0EC1H100C	T	19.2/37.3
C719	4030017730	S.CER ECJ0EB1E471K	T	13.5/43.4
C721	4030017460	S.CER ECJ0EB1E102K	T	25/34.1
C722	4030017400	S.CER ECJ0EC1H220J	T	12.1/35.2
C800	4030017570	S.CER ECJ0EC1H040B	T	46.1/23.3
C801	4030017570	S.CER ECJ0EC1H040B	T	46.1/22.4
C802	4030017460	S.CER ECJ0EB1E102K	T	45.7/18.3
C803	4030017460	S.CER ECJ0EB1E102K	T	47.5/18.1
C804	4030017460	S.CER ECJ0EB1E102K	T	42.5/22.6
C805	4030017570	S.CER ECJ0EC1H040B	T	44.1/22.6
C806	4030017460	S.CER ECJ0EB1E102K	T	43.4/19.1
C807	4030016790	S.CER ECJ0EB1C103K	T	24.5/28.2
C810	4030017430	S.CER ECJ0EC1H101J	T	25.6/24.4
C811	4030016790	S.CER ECJ0EB1C103K	T	25.6/25.3
C812	4030016790	S.CER ECJ0EB1C103K	T	25.8/22.6
C813	4030017430	S.CER ECJ0EC1H101J	T	27/22.3
C814	4550007680	S.TAN TEESVP 0J 226M8R	T	28.4/22.6
C815	4030017400	S.CER ECJ0EC1H220J	T	26.8/30.1
C818	4030017430	S.CER ECJ0EC1H101J	T	32.4/27.2
C819	4030017460	S.CER ECJ0EB1E102K	T	31.9/29.9
C820	4550006910	S.TAN TEESVP 1C 334M8R	T	32/21.9
C821	4550007760	S.TAN TEESVP 1A 335M8R	T	33.7/21.2
C822	4340000260	S.MYL ECPU1C104MA5	T	33.6/25.3
C823	4550007120	S.TAN F92 1D 224MPA	T	30.1/22.3
C826	4030017420	S.CER ECJ0EC1H470J	T	40.9/20.8
C830	4030017460	S.CER ECJ0EB1E102K	T	49.8/41.8
C833	4030018860	S.CER ECJ0EB0J105K	T	40.3/37.4
C834	4030017460	S.CER ECJ0EB1E102K	T	40.3/36.5
C835	4030017460	S.CER ECJ0EB1E102K	T	45.2/39.3
C836	4030018860	S.CER ECJ0EB0J105K	T	46.1/39.3
C837	4030017460	S.CER ECJ0EB1E102K	T	33/28.7
C838	4030017730	S.CER ECJ0EB1E471K	T	35/17.6
C839	4030017440	S.CER ECJ0EC1H221J	T	46.6/18.3
C840	4030017420	S.CER ECJ0EC1H470J	T	35/18.5
C841	4550007680	S.TAN TEESVP 0J 226M8R	T	42.4/35.5
C850	4030017460	S.CER ECJ0EB1E102K	T	34.9/29.2
C851	4030017460	S.CER ECJ0EB1E102K	T	39.5/30.7
C852	4030017350	S.CER ECJ0EC1H020B	T	36.9/25.8
C853	4030017350	S.CER ECJ0EC1H020B	T	40.3/28.4
C854	4030017460	S.CER ECJ0EB1E102K	T	39.1/28
C855	4030017360	S.CER ECJ0EC1H030B	T	38.3/18.3
C856	4030017360	S.CER ECJ0EC1H030B	T	37.1/16.5
C857	4030017350	S.CER ECJ0EC1H020B	T	36.2/18
C858	4030017620	S.CER ECJ0EC1H100C	T	26.4/23.5
C859	4030017570	S.CER ECJ0EC1H040B	T	44.8/18.3
C900	4030016790	S.CER ECJ0EB1C103K	T	37.9/14.6
C901	4030017460	S.CER ECJ0EB1E102K	T	39.1/14.8
C902	4030017400	S.CER ECJ0EC1H220J	B	40.5/11.3
C903	4030016790	S.CER ECJ0EB1C103K	B	47.6/26.9
C904	4030017460	S.CER ECJ0EB1E102K	B	43.7/12
C905	4030017460	S.CER ECJ0EB1E102K	B	43.7/13
C906	4030017440	S.CER ECJ0EC1H221J	T	42.9/28.7
C907	4030017440	S.CER ECJ0EC1H221J	B	47.7/32.8
C908	4030017730	S.CER ECJ0EB1E471K	B	49.6/31.7
C909	4030017650	S.CER ECJ0EC1H270J	T	40.7/18.2
C910	4030017460	S.CER ECJ0EB1E102K	B	44.8/32.7
C911	4030017420	S.CER ECJ0EC1H470J	T	42.3/33
C912	4030017420	S.CER ECJ0EC1H470J	B	48/30.9
C915	4030017420	S.CER ECJ0EC1H470J	B	48.8/29.8
C919	4030017460	S.CER ECJ0EB1E102K	B	32.8/37.3
C950	4030016930	S.CER ECJ0EB1A104K	T	39.4/39.7
C951	4030016930	S.CER ECJ0EB1A104K	B	37.2/45.3
C952	4550007680	S.TAN TEESVP 0J 226M8R	T	36/45.6
C960	4030016930	S.CER ECJ0EB1A104K	T	39.4/38.8
C961	4030016930	S.CER ECJ0EB1A104K	T	35.1/34.4
C962	4030016930	S.CER ECJ0EB1A104K	B	34.7/37
C963	4030016930	S.CER ECJ0EB1A104K	B	33.7/37
C964	4030016930	S.CER ECJ0EB1A104K	T	31.2/37.4
C965	4030016930	S.CER ECJ0EB1A104K	T	32.2/45.3
C966	4030016930	S.CER ECJ0EB1A104K	T	33.1/45.3
C967	4030016930	S.CER ECJ0EB1A104K	T	32.7/34.4
C1000	4030017460	S.CER ECJ0EB1E102K	B	42.6/7
C1002	4030017460	S.CER ECJ0EB1E102K	B	46.5/2.4
C1004	4030017460	S.CER ECJ0EB1E102K	T	27/5.1

[RF UNIT]

REF NO.	PARTS NO.	DESCRIPTION	M.	H/V LOCATION
C1005	4030017460	S.CER ECJ0EB1E102K	B	36.2/9.7
C1006	4030017460	S.CER ECJ0EB1E102K	B	40.8/8.2
C1007	4510008540	S.ELE EEE1CA100SR	T	45.5/11.8
C1008	4030017460	S.CER ECJ0EB1E102K	B	39.6/9.5
C1009	4030017460	S.CER ECJ0EB1E102K	B	45.1/23.6
C1010	4030017350	S.CER ECJ0EC1H020B	T	35.7/8.1
J800	6510025370	S.CON AXK816145YG	T	38/21.9
J1000	6450000870	CON HEC2711-01-020		
J1001	6510024410	S.CON AXK6S30545 2	T	47.2/30.3
EP1	6910018460	S.BEA MMZ1005Y102C-T	B	6.7/9.7
EP100	6910014730	S.BEA MPZ2012S331A-T	T	14.6/4
EP101	6910012350	S.BEA MMZ1608Y 102BT	T	17.8/5.4
EP102	6910018460	S.BEA MMZ1005Y102C-T	T	37.1/9.3
EP150	6910018460	S.BEA MMZ1005Y102C-T	B	27.3/3
EP900	6910018460	S.BEA MMZ1005Y102C-T	T	40.3/14.4
EP1000	6910014730	S.BEA MPZ2012S331A-T	B	48.7/6
EP1001	6910014730	S.BEA MPZ2012S331A-T	B	42.7/5
EP1002	6910014730	S.BEA MPZ2012S331A-T	B	35.1/2.8
EP1003	6910014730	S.BEA MPZ2012S331A-T	T	26.4/3.7
MP100	8410002610	S.HEA 2888 PA HEATSINK Y835	B	14.6/9.4
MP101	6910014760	S.PLA OG-503040	B	32/10.9

M.=Mounted side (T: Mounted on the Top side, B: Mounted on the Bottom side)
S.=Surface mount

[VCO UNIT]

REF NO.	PARTS NO.	DESCRIPTION	M.	H/V LOCATION
Q1	1530003560	S.TRA 2SC5195-T1 0	T	10.4/16.5
Q2	1590003280	S.TRA UNR9211J-(TX)	T	4.6/15.1
Q51	1530003560	S.TRA 2SC5195-T1 0	T	14/9.6
Q52	1590003280	S.TRA UNR9211J-(TX)	T	18.1/17.4
Q101	1530003260	S.TRA 2SC5006-T1	T	9/2.5
Q102	1590003280	S.TRA UNR9211J-(TX)	T	19/1.8
Q200	1530003260	S.TRA 2SC5006-T1	T	8.8/10.9
Q201	1530003260	S.TRA 2SC5006-T1	T	3.8/3.5
Q202	1530003260	S.TRA 2SC5006-T1	T	5.6/11.4
D1	1750001270	S.VAR 1SV325(TPH3,F)	T	3.2/18
D2	1790001621	S.DIO 1SV308(TPL3,F)	T	7.1/16.3
D3	1750001270	S.VAR 1SV325(TPH3,F)	T	12.2/15.5
D4	1790001250	S.DIO MA2S111-(TX)	T	12.8/18.9
D5	1750001270	S.VAR 1SV325(TPH3,F)	T	4.4/17.3
D6	1750001270	S.VAR 1SV325(TPH3,F)	T	12.2/14.3
D51	1750000771	S.VAR HVC376BTRF-E	T	16.5/14.2
D52	1790001260	S.DIO MA2S077-(TX)	T	14.6/17.7
D53	1790001250	S.DIO MA2S111-(TX)	T	12.4/7.4
D54	1750001270	S.VAR 1SV325(TPH3,F)	T	15.6/12.4
D55	1720000651	S.VAR 1SV286(TPH3,F)	T	17.4/10.6
D100	1720000651	S.VAR 1SV286(TPH3,F)	T	17.4/1.6
D101	1750000721	S.VAR HVC375BTRF-E	T	12.2/2.2
D102	1790001260	S.DIO MA2S077-(TX)	T	16.8/5.4
D103	1790001250	S.DIO MA2S111-(TX)	T	7.4/1.6
D104	1750000721	S.VAR HVC375BTRF-E	T	13.9/3.1
L2	6200011650	S.COI LQW18AN68NG00D	T	6.8/18.3
L3	6200011660	S.COI LQW18ANR15G00D	T	5/19.1
L52	6200010850	S.COI LQW18AN22NG00D (LQW1608A22NG00)	T	14.7/13.9
L53	6200012050	S.COI LQW18AN24NG00D	T	14.7/15.1
L101	6200011031	S.COI ELJRF R10JFB	T	7.6/3.5
L102	6200010120	S.COI LQW18AN5N6C00D	T	12.3/4.7
L103	6200012060	S.COI LQW18AN9N1D00D	T	14.1/5.4
L104	6200013430	S.COI MLG1005S R15J-T	T	
L200	6200010991	S.COI ELJRF 47NJFB	T	2.3/1.5
L201	6200011021	S.COI ELJRF 82NJFB	T	4/11.9
L202	6200007951	S.COI ELJRF 8N2JFB (8.2)	T	3.6/10.1
L203	6200007931	S.COI ELJRF 12NJFB	T	4.1/1.5
L204	6200007961	S.COI ELJRF 6N8JFB (6.8)	T	6.3/5
R1	7030005240	S.RES ERJ2GEJ 473 X (47K)	T	6.2/15
R2	7030007290	S.RES ERJ2GEJ 222 X (2.2K)	T	8/15
R3	7030004970	S.RES ERJ2GEJ 470 X (47)	T	10.7/18.8
R4	7030005050	S.RES ERJ2GEJ 103 X (10K)	T	10.7/17.9
R5	7030005050	S.RES ERJ2GEJ 103 X (10K)	T	9.1/18.8
R6	7030005710	S.RES ERJ2GEJ 121 X (120)	T	10/13.8
R7	7030005090	S.RES ERJ2GEJ 104 X (100K)	T	11.6/12.4
R8	7030005120	S.RES ERJ2GEJ 102 X (1K)	T	2.8/16.4
R9	7030010040	S.RES ERJ2GEJ-JPW	T	11.6/13.3
R10	7030007290	S.RES ERJ2GEJ 222 X (2.2K)	T	7.1/15
R50	7030005120	S.RES ERJ2GEJ 102 X (1K)	T	17.5/13.9
R51	7030005240	S.RES ERJ2GEJ 473 X (47K)	T	16.5/17.2
R52	7030007290	S.RES ERJ2GEJ 222 X (2.2K)	T	15.6/16.4
R53	7030004970	S.RES ERJ2GEJ 470 X (47)	T	12.8/8.4
R54	7030005210	S.RES ERJ2GEJ 822 X (8.2K)	T	15.5/9.5
R55	7030005050	S.RES ERJ2GEJ 103 X (10K)	T	16.4/9.5
R56	7030007270	S.RES ERJ2GEJ 151 X (150)	T	12.3/10.2
R58	7030005600	S.RES ERJ2GEJ 273 X (27K)	T	18.9/11.8
R59	7030005600	S.RES ERJ2GEJ 273 X (27K)	T	19.8/10.2
R60	7030007290	S.RES ERJ2GEJ 222 X (2.2K)	T	13.8/16.4
R61	7030007320	S.RES ERJ2GEJ 225 X (2.2M)	T	19.8/13.4
R62	7030005090	S.RES ERJ2GEJ 104 X (100K)	T	17.7/12.7
R101	7030005240	S.RES ERJ2GEJ 473 X (47K)	T	17.9/6.5
R102	7030007290	S.RES ERJ2GEJ 222 X (2.2K)	T	15.6/6.5
R104	7030007300	S.RES ERJ2GEJ 332 X (3.3K)	T	9.2/1
R105	7030005050	S.RES ERJ2GEJ 103 X (10K)	T	9/4.7
R106	7030004990	S.RES ERJ2GEJ 221 X (220)	T	10.2/5.6
R107	7030005090	S.RES ERJ2GEJ 104 X (100K)	T	18.2/7.4
R108	7030007320	S.RES ERJ2GEJ 225 X (2.2M)	T	16.6/7.4
R109	7030008410	S.RES ERJ2GEJ 392 X (3.9K)	T	16.6/8.3
R110	7030007340	S.RES ERJ2GEJ 153 X (15K)	T	18.9/10.2
R111	7030005120	S.RES ERJ2GEJ 102 X (1K)	T	15.2/3.3
R112	7030007290	S.RES ERJ2GEJ 222 X (2.2K)	T	16.6/4.1
R113	7030005040	S.RES ERJ2GEJ 472 X (4.7K)	T	20.2/16.2
R114	7030010040	S.RES ERJ2GEJ-JPW	T	19.4/3.4
R115	7030010040	S.RES ERJ2GEJ-JPW	T	17.8/3.4
R116	7030004980	S.RES ERJ2GEJ 101 X (100)	T	10/8.2
R200	7030009160	S.RES ERJ2GEJ 181 X (180)	T	7.5/13.2
R201	7030005070	S.RES ERJ2GEJ 683 X (68K)	T	9.5/9.4
R202	7030005300	S.RES ERJ2GEJ 150 X (15)	T	8.9/7
R203	7030005570	S.RES ERJ2GEJ 820 X (82)	T	7.7/8.2
R204	7030005570	S.RES ERJ2GEJ 820 X (82)	T	7.3/7
R205	7030004970	S.RES ERJ2GEJ 470 X (47)	T	2.1/2.7
R206	7030005060	S.RES ERJ2GEJ 333 X (33K)	T	5.3/3.9
R207	7030004970	S.RES ERJ2GEJ 470 X (47)	T	5.9/8.1
R208	7030005070	S.RES ERJ2GEJ 683 X (68K)	T	5.9/9
C1	4030017460	S.CER ECJ0EB1E102K	T	3.1/13.6
C3	4030017690	S.CER ECJ0EC1H121J	T	9.1/17.9
C4	4030016790	S.CER ECJ0EB1C103K	T	7.9/17.6
C5	4030016790	S.CER ECJ0EB1C103K	T	5.5/17
C6	4030017460	S.CER ECJ0EB1E102K	T	3.1/15.2

[VCO UNIT]

REF NO.	PARTS NO.	DESCRIPTION	M.	H/V LOCATION
C7	4030017460	S.CER ECJ0EB1E102K	T	12.8/17.5
C8	4030016790	S.CER ECJ0EB1C103K	T	11.9/17.5
C9	4030017680	S.CER ECJ0EC1H820J	T	8.8/16.6
C10	4030017460	S.CER ECJ0EB1E102K	T	10/14.7
C11	4030017350	S.CER ECJ0EC1H020B	T	10.3/11.9
C51	4030017460	S.CER ECJ0EB1E102K	T	18.9/13.8
C53	4030018070	S.CER ECJ0EC1H300J	T	15.5/11.1
C54	4030017460	S.CER ECJ0EB1E102K	T	14.7/16.4
C55	4030017460	S.CER ECJ0EB1E102K	T	17.5/15.7
C56	4030017460	S.CER ECJ0EB1E102K	T	19.6/17.7
C57	4030017460	S.CER ECJ0EB1E102K	T	12.3/9.3
C58	4030017460	S.CER ECJ0EB1E102K	T	14.9/8
C59	4030017650	S.CER ECJ0EC1H270J	T	13.9/11.1
C60	4030017420	S.CER ECJ0EC1H470J	T	13.4/12.3
C61	4030017540	S.CER ECJ0EC1HR75B	T	12.3/11.1
C62	4030016930	S.CER ECJ0EB1A104K	T	19.8/11.8
C63	4030017530	S.CER ECJ0EC1H0R5B	T	16.4/11.1
C101	4030017460	S.CER ECJ0EB1E102K	T	15.9/1.5
C102	4030017500	S.CER ECJ0EC1H560J	T	15.9/2.4
C103	4030017620	S.CER ECJ0EC1H100C	T	10.8/1.1
C104	4030017460	S.CER ECJ0EB1E102K	T	14/6.5
C105	4030017460	S.CER ECJ0EB1E102K	T	17.8/4.4
C106	4030017460	S.CER ECJ0EB1E102K	T	19.8/4.5
C107	4030017460	S.CER ECJ0EB1E102K	T	7.2/4.7
C108	4030017460	S.CER ECJ0EB1E102K	T	8.1/4.7
C109	4030017390	S.CER ECJ0EC1H180J	T	10.5/2.5
C110	4030017380	S.CER ECJ0EC1H050B	T	10.2/4.7
C111	4030017350	S.CER ECJ0EC1H020B	T	10.7/6.8
C112	4030017530	S.CER ECJ0EC1H0R5B	T	12.5/1.1
C114	4030017460	S.CER ECJ0EB1E102K	T	18/8.6
C115	4030016930	S.CER ECJ0EB1A104K	T	18.9/8.6
C116	4030017460	S.CER ECJ0EB1E102K	T	19.8/7.7
C117	4030018860	S.CER ECJ0EB0J105K	T	19.8/15
C118	4030017640	S.CER ECJ0EC1H150J	T	10.2/3.8
C200	4030017460	S.CER ECJ0EB1E102K	T	8.4/12.9
C201	4030017460	S.CER ECJ0EB1E102K	T	9.1/8.2
C202	4030017460	S.CER ECJ0EB1E102K	T	2.4/5.6
C203	4030017460	S.CER ECJ0EB1E102K	T	2.3/4.4
C204	4030017460	S.CER ECJ0EB1E102K	T	5.3/5.5
C205	4030017460	S.CER ECJ0EB1E102K	T	3.2/1.5
C206	4030017460	S.CER ECJ0EB1E102K	T	5.6/12.9
C207	4030017380	S.CER ECJ0EC1H050B	T	7.2/10.5
C208	4030017460	S.CER ECJ0EB1E102K	T	3.1/11.9
C209	4030017380	S.CER ECJ0EC1H050B	T	3.3/8.3
C210	4030017380	S.CER ECJ0EC1H050B	T	2.4/8.3
C211	4030017360	S.CER ECJ0EC1H030B	T	2.7/10.1
C213	4030017590	S.CER ECJ0EC1H070C	T	5.5/2.7
J1	6510025380	S.CON AXK716147G	B	4.8/10

M.=Mounted side (T: Mounted on the Top side, B: Mounted on the Bottom side)
S.=Surface mount

[MAIN UNIT]

REF NO.	PARTS NO.	DESCRIPTION	M.	H/V LOCATION
IC50	1110005230	S.IC UPC2757TB-E3	T	34.3/13.3
IC100	1110003201	S.IC TA31136FNG(EL)	T	12.4/39.2
IC150	1110006380	S.IC LM2904PWR	T	15.4/32.2
IC200	1110003201	S.IC TA31136FNG(EL)	B	23/15.2
IC250	1110006380	S.IC LM2904PWR	T	15.4/27
IC400	1130011671	S.IC MB15E03SLPFV1-G-ER-6E1	T	41.6/8.1
IC500	1130011770	S.IC CD4066BPWR	B	9.3/27.2
IC501	1110003800	S.IC NJM2904V-TE1-#FMZB	B	21.3/26.8
IC502	1110003800	S.IC NJM2904V-TE1-#FMZB	B	21.3/31.8
IC600	1190001350	S.IC MD2364FP 600D	B	33/28.3
IC700	1130011770	S.IC CD4066BPWR	T	33.4/29.6
IC701	1130011760	S.IC CD4094BPWR	B	41.7/20.8
IC702	1130011760	S.IC CD4094BPWR	B	41.6/15.1
IC703	1130011770	S.IC CD4066BPWR	T	26.2/29.6
IC704	1110006380	S.IC LM2904PWR	B	44.7/41.5
Q1	1530002601	S.TRA 2SC4215-O(TE85R,F)	T	34.9/37.6
Q2	1530002601	S.TRA 2SC4215-O(TE85R,F)	T	29.9/39.7
Q100	1530002601	S.TRA 2SC4215-O(TE85R,F)	T	20/45.4
Q101	1590003280	S.TRA UNR9211J-(TX)	B	19.1/46.2
Q102	1590002380	S.TRA XP1115(TX)	B	18.9/43.6
Q103	1590001190	S.TRA XP6501-(TX).AB	B	7.5/46.2
Q104	1590001190	S.TRA XP6501-(TX).AB	B	6.4/41.3
Q105	1590003250	S.TRA UNR9115J-(TX)	B	8.8/40.8
Q150	1590003250	S.TRA UNR9115J-(TX)	T	22.6/36.1
Q151	1590003280	S.TRA UNR9211J-(TX)	T	24.9/36
Q200	1530002601	S.TRA 2SC4215-O(TE85R,F)	B	27.7/11
Q201	1590003290	S.TRA UNR9213J-(TX)	T	22.6/22
Q202	1590001190	S.TRA XP6501-(TX).AB	T	15.5/3.2
Q203	1590001190	S.TRA XP6501-(TX).AB	T	11/4.8
Q204	1590003250	S.TRA UNR9115J-(TX)	T	12.4/7.3
Q205	1590003250	S.TRA UNR9115J-(TX)	T	18.6/10
Q250	1590003250	S.TRA UNR9115J-(TX)	T	10.1/23.9
Q300	1590003230	S.TRA UNR9113J-(TX)	T	31.8/3.8
Q301	1530003560	S.TRA 2SC5195-T1 0	T	29.6/8.6
Q350	1590003230	S.TRA UNR9113J-(TX)	T	25.2/4.2
Q351	1530003560	S.TRA 2SC5195-T1 0	T	26.4/12.4
Q353	1530003260	S.TRA 2SC5006-T1	T	29.1/13.5
Q450	1530002601	S.TRA 2SC4215-O(TE85R,F)	T	46.3/16.3
Q451	1530002601	S.TRA 2SC4215-O(TE85R,F)	T	34.4/19.3
Q452	1530002601	S.TRA 2SC4215-O(TE85R,F)	T	36.3/22.7
Q453	1590002380	S.TRA XP1115(TX)	T	27.8/35.8
Q500	1590003280	S.TRA UNR9211J-(TX)	B	13.4/26.1
Q501	1590003280	S.TRA UNR9211J-(TX)	B	13.6/29.9
Q502	1530004000	S.TRA 2SC4738-GR(TE85L,F)	B	25.2/35.3
Q603	1590003250	S.TRA UNR9115J-(TX)	B	36/21.7
Q604	1590002380	S.TRA XP1115(TX)	B	35.4/19.3
Q650	1590003280	S.TRA UNR9211J-(TX)	B	49.6/6.3
Q651	1590001170	S.TRA XP1501-(TX).AB	B	47.9/9.7
Q652	1520000460	S.TRA 2SB1132 T100 R	B	49.3/17.3
Q700	1510001100	S.TRA 2SA1832-GR(TE85R,F)	B	48.3/39.1
Q701	1590003290	S.TRA UNR9213J-(TX)	B	50.5/41.2
D2	1750000361	S.DIO 1SS364(TE85L,F)	B	41.2/36.6
D3	1750000361	S.DIO 1SS364(TE85L,F)	T	23.3/46.4
D10	1750001210	S.DIO HSB88ASTR-E	T	34.9/40.2
D100	1790001240	S.DIO MA25728-(TX)	T	22.5/41.3
D102	1790000850	S.DIO MA132WK(TX)	T	4.9/42
D103	1790000850	S.DIO MA132WK(TX)	B	12.1/40.1
D104	1790001240	S.DIO MA25728-(TX)	B	5.4/44.5
D105	1790001250	S.DIO MA25111-(TX)	B	9.9/35.5
D200	1790001240	S.DIO MA25728-(TX)	B	29.9/12.8
D202	1750000361	S.DIO 1SS364(TE85L,F)	B	18.7/17.6
D203	1750000361	S.DIO 1SS364(TE85L,F)	B	19.3/11.4
D204	1790001240	S.DIO MA25728-(TX)	T	13.1/3.2
D205	1790001250	S.DIO MA25111-(TX)	T	6.5/9.8
D300	1750001270	S.VAR 1SV325(TPH3,F)	T	34.4/9.5
D301	1750000771	S.VAR HVC376BTRF-E	T	33.6/7.7
D350	1750000721	S.VAR HVC375BTRF-E	T	26.9/9
D351	1790000850	S.DIO MA132WK(TX)	T	27.9/7.3
D352	1750000721	S.VAR HVC375BTRF-E	T	25.1/8.5
D450	1750000361	S.DIO 1SS364(TE85L,F)	T	27.3/24.2
D451	1790001240	S.DIO MA25728-(TX)	T	50.4/10.8
D452	1790000850	S.DIO MA132WK(TX)	T	25.9/20.2
D700	1730002260	S.ZEN MA8030-H(TX)	T	32/34.2
FI1	2030000450	S.MON DSF753S 61.65 MHz(FL-394)	T	31.8/44.8
FI2	2020001800	S.CER SFECV13M3DA0001-R0 (SFECV13.35M)	T	25.1/40.7
FI50	2030000150	S.MON DSF753SB 46.350 MHz(FL-335)	B	32.1/5.7
FI100	2020002480	S.CER LTRW450E1 <JJE>	T	11.2/46.6
FI200	2020002480	S.CER LTRW450E1 <JJE>	B	11.4/15.7
FI201	2020002180	S.CER CFWKA450KHFA-R0	B	13.8/5.3
X100	6070000300	S.DIS JTBM450CX24 <JJE>	B	16.4/38.3
X200	6070000300	S.DIS JTBM450CX24 <JJE>	T	16.7/21.7
X450	6050012380	S.XTA CR-826 DSA53SD 15.3 MHz	T	47.9/8.9
L1	6200005140	S.COI MLF1608D R33K-T	T	32.8/40.1
L10	6200010381	S.COI ELJRE R15JFA	B	37.7/35.5
L30	6200009181	S.COI ELJRE R10JFA	B	34.7/35.5
L50	6200011021	S.COI ELJRF 82NJFB	T	31.1/14.6
L100	6200003630	S.COI MLF1608D R68K-T	T	19.9/43.5

[MAIN UNIT]

REF NO.	PARTS NO.	DESCRIPTION	M.	H/V LOCATION
L101	6200003131	S.COI NLV32T-120J	B	15.7/43.6
L200	6200003630	S.COI MLF1608D R68K-T	B	27.2/14.8
L301	6200011580	S.COI LQW18AN33NG00D	T	32.9/9.6
L351	6200009220	S.COI LQW18AN15NG00D (LQW1608A15NG00D)	T	25.1/9.8
L450	6200005190	S.COI MLF1608D R56K-T	T	32.4/20.3
L451	6200005190	S.COI MLF1608D R56K-T	T	28.8/19.4
L452	6200004790	S.COI MLF1608D R47K-T	T	34.3/23.9
L453	6200004790	S.COI MLF1608D R47K-T	T	30.6/22.7
L454	6200004920	S.COI MLF1608A 2R2K-T	T	50/5.2
R6	7030007290	S.RES ERJ2GEJ 222 X (2.2K)	B	42.8/36.6
R7	7030007290	S.RES ERJ2GEJ 222 X (2.2K)	T	38.4/43.4
R8	7030007280	S.RES ERJ2GEJ 331 X (330)	T	37/43.1
R9	7030007280	S.RES ERJ2GEJ 331 X (330)	T	26.9/47
R10	7030007290	S.RES ERJ2GEJ 222 X (2.2K)	T	25/47.9
R11	7030007290	S.RES ERJ2GEJ 222 X (2.2K)	T	23.4/47.0
R14	7030005580	S.RES ERJ2GEJ 560 X (56)	B	39.7/35.8
R15	7030005170	S.RES ERJ2GEJ 474 X (470K)	T	33.2/37.9
R16	7030004980	S.RES ERJ2GEJ 101 X (100)	T	37.6/38.3
R17	7030005170	S.RES ERJ2GEJ 474 X (470K)	T	30.4/37.9
R18	7030007280	S.RES ERJ2GEJ 331 X (330)	T	28/39.1
R19	7030007290	S.RES ERJ2GEJ 222 X (2.2K)	T	23.8/44.9
R23	7030010040	S.RES ERJ2GEJ JPW	T	28/37.5
R24	7030007280	S.RES ERJ2GEJ 331 X (330)	T	25.9/45.7
R25	7030005290	S.RES ERJ2GEJ 682 X (6.8K)	T	32/37.8
R51	7030007270	S.RES ERJ2GEJ 151 X (150)	B	35.3/9.3
R52	7030009160	S.RES ERJ2GEJ 181 X (180)	B	26.9/7.8
R55	7030005120	S.RES ERJ2GEJ 120 X (1K)	B	50.6/37
R100	7030007340	S.RES ERJ2GEJ 153 X (15K)	T	20.5/42.1
R101	7030005290	S.RES ERJ2GEJ 682 X (6.8K)	T	21.4/42.1
R102	7030004990	S.RES ERJ2GEJ 221 X (220)	T	21.7/47.5
R104	7030004990	S.RES ERJ2GEJ 221 X (220)	T	19.6/42.1
R105	7030007570	S.RES ERJ2GEJ 122 X (1.2K)	B	16.1/47.4
R106	7030005120	S.RES ERJ2GEJ 102 X (1K)	T	17.6/37.9
R107	7030005240	S.RES ERJ2GEJ 473 X (47K)	T	18.8/39.3
R108	7030005030	S.RES ERJ2GEJ 152 X (1.5K)	T	7.7/39.5
R111	7030005100	S.RES ERJ2GEJ 154 X (150K)	T	9.1/35.2
R112	7030005120	S.RES ERJ2GEJ 102 X (1K)	T	7.5/35.2
R113	7030005310	S.RES ERJ2GEJ 124 X (120K)	T	8.2/37.4
R114	7030008010	S.RES ERJ2GEJ 123 X (12K)	T	3.5/41.8
R115	7030008010	S.RES ERJ2GEJ 123 X (12K)	T	6.7/42
R116	7030008010	S.RES ERJ2GEJ 123 X (12K)	B	11.1/41.6
R117	7030005120	S.RES ERJ2GEJ 102 X (1K)	B	11.4/42.9
R118	7030008010	S.RES ERJ2GEJ 123 X (12K)	B	12.6/37.1
R119	7030008010	S.RES ERJ2GEJ 123 X (12K)	B	11.7/37.1
R120	7030005030	S.RES ERJ2GEJ 152 X (1.5K)	B	8.5/43.3
R121	7030005120	S.RES ERJ2GEJ 102 X (1K)	B	6.9/43.3
R122	7030005220	S.RES ERJ2GEJ 223 X (22K)	B	6.9/44.3
R123	7030005100	S.RES ERJ2GEJ 154 X (150K)	B	9.3/45.7
R124	7030005240	S.RES ERJ2GEJ 473 X (47K)	B	4.7/42.4
R125	7030005700	S.RES ERJ2GEJ 274 X (270K)	B	4.7/40.3
R126	7030005110	S.RES ERJ2GEJ 221 X (220K)	B	7.8/39.1
R127	7030005040	S.RES ERJ2GEJ 472 X (4.7K)	B	7.8/37.3
R129	7030004980	S.RES ERJ2GEJ 101 X (100)	B	4.3/44.1
R130	7030007340	S.RES ERJ2GEJ 153 X (15K)	B	10.2/45.7
R131	7030005040	S.RES ERJ2GEJ 472 X (4.7K)	B	9.9/37.4
R132	7030005050	S.RES ERJ2GEJ 103 X (10K)	B	7.8/35.5
R133	7030005220	S.RES ERJ2GEJ 223 X (22K)	B	8.3/34.3
R150	7030005050	S.RES ERJ2GEJ 103 X (10K)	T	20.2/30.1
R151	7030005090	S.RES ERJ2GEJ 104 X (100K)	T	22.1/29.6
R152	7030005080	S.RES ERJ2GEJ 823 X (82K)	T	8.2/30.3
R153	7030005080	S.RES ERJ2GEJ 823 X (82K)	T	9.1/32
R154	7030005080	S.RES ERJ2GEJ 823 X (82K)	T	10.5/32.2
R155	7030005230	S.RES ERJ2GEJ 334 X (330K)	T	9.1/30.3
R156	7030005100	S.RES ERJ2GEJ 154 X (150K)	T	18.6/30.1
R157	7030005070	S.RES ERJ2GEJ 683 X (68K)	T	20.2/33.7
R158	7030005240	S.RES ERJ2GEJ 473 X (47K)	T	19.8/32.3
R159	7030005160	S.RES ERJ2GEJ 105 X (1M)	T	20.7/32.3
R200	7030007340	S.RES ERJ2GEJ 153 X (15K)	B	28.1/13.3
R201	7030005290	S.RES ERJ2GEJ 560 X (6.8K)	B	29.2/9.1
R202	7030004990	S.RES ERJ2GEJ 221 X (220)	B	29.7/10
R204	7030004990	S.RES ERJ2GEJ 221 X (220)	B	29.3/14.8
R205	7030007290	S.RES ERJ2GEJ 222 X (2.2K)	B	21/21.4
R206	7030008400	S.RES ERJ2GEJ 182 X (1.8K)	T	21.8/20.2
R207	7030004980	S.RES ERJ2GEJ 101 X (100)	T	13.3/5.8
R209	7030005240	S.RES ERJ2GEJ 473 X (47K)	B	22.2/21
R210	7030005030	S.RES ERJ2GEJ 152 X (1.5K)	B	23.7/10.9
R214	7030005100	S.RES ERJ2GEJ 154 X (150K)	B	17.6/14.8
R215	7030005120	S.RES ERJ2GEJ 102 X (1K)	B	17.6/13.9
R216	7030005310	S.RES ERJ2GEJ 124 X (120K)	B	19.7/13.5
R217	7030005120	S.RES ERJ2GEJ 102 X (1K)	B	14.7/5.5
R218	7030005030	S.RES ERJ2GEJ 152 X (1.5K)	T	15.9/6
R219	7030005220	S.RES ERJ2GEJ 223 X (22K)	T	13.8/4.6
R220	7030005100	S.RES ERJ2GEJ 154 X (150K)	T	17.3/4.6
R221	7030005240	S.RES ERJ2GEJ 473 X (47K)	T	10.4/7.1
R223	7030005110	S.RES ERJ2GEJ 224 X (220K)	T	9.2/4.8
R224	7030005700	S.RES ERJ2GEJ 274 X (270K)	T	9.7/2.8
R225	7030005040	S.RES ERJ2GEJ 472 X (4.7K)	T	6.9/7.5
R227	7030008410	S.RES ERJ2GEJ 392 X (3.9K)	B	19.7/19.3
R228	7030008010	S.RES ERJ2GEJ 123 X (12K)	B	17/11.2
R229	7030008010	S.RES ERJ2GEJ 123 X (12K)	B	17/10.3
R230	7030008010	S.RES ERJ2GEJ 123 X (12K)	B	18.8/19.3
R231	7030008410	S.RES ERJ2GEJ 392 X (3.9K)	B	19.9/9.6
R232	7030008010	S.RES ERJ2GEJ 123 X (12K)	B	17.9/19.3
R233	7030007340	S.RES ERJ2GEJ 153 X (15K)	T	17.3/3
R234	7030005220	S.RES ERJ2GEJ 223 X (22K)	T	5.4/11

M.=Mounted side (T: Mounted on the Top side, B: Mounted on the Bottom side) S.=Surface mount

[MAIN UNIT]

REF NO.	PARTS NO.	DESCRIPTION	M.	H/V LOCATION
R250	7030005050	S.RES ERJ2GEJ 103 X (10K)	T	21.4/25.1
R251	7030005090	S.RES ERJ2GEJ 104 X (100K)	T	23/25.1
R252	7030005080	S.RES ERJ2GEJ 823 X (82K)	T	8.3/26
R253	7030005080	S.RES ERJ2GEJ 823 X (82K)	T	9.2/28.3
R254	7030005080	S.RES ERJ2GEJ 823 X (82K)	T	10.1/28.3
R255	7030005230	S.RES ERJ2GEJ 334 X (330K)	T	9.2/26.7
R256	7030005100	S.RES ERJ2GEJ 154 X (150K)	T	12.2/28.9
R257	7030005070	S.RES ERJ2GEJ 683 X (68K)	T	20.2/28.5
R258	7030005240	S.RES ERJ2GEJ 473 X (47K)	T	19.8/27.2
R259	7030005160	S.RES ERJ2GEJ 105 X (1M)	T	20.7/27.2
R300	7030004970	S.RES ERJ2GEJ 470 X (47)	T	29.3/5
R301	7030005290	S.RES ERJ2GEJ 682 X (6.8K)	T	29.7/7
R302	7030005050	S.RES ERJ2GEJ 103 X (10K)	T	31.5/9.2
R303	7030007270	S.RES ERJ2GEJ 151 X (150)	T	31.5/11
R304	7030005120	S.RES ERJ2GEJ 102 X (1K)	T	35.3/7.8
R305	7030005040	S.RES ERJ2GEJ 472 X (4.7K)	T	9/8.8
R306	7030005050	S.RES ERJ2GEJ 103 X (10K)	T	6.9/11.4
R350	7030004970	S.RES ERJ2GEJ 470 X (47)	T	25/6.6
R351	7030005290	S.RES ERJ2GEJ 682 X (6.8K)	T	26.1/10.8
R352	7030005050	S.RES ERJ2GEJ 103 X (10K)	T	24.5/12.7
R353	7030007280	S.RES ERJ2GEJ 331 X (330)	T	24.5/13.6
R354	7030007270	S.RES ERJ2GEJ 151 X (150)	T	30.2/12.2
R355	7030005070	S.RES ERJ2GEJ 683 X (68K)	T	29.2/14.9
R356	7030005120	S.RES ERJ2GEJ 102 X (1K)	T	26.3/7
R400	7030005120	S.RES ERJ2GEJ 102 X (1K)	T	42.8/3.8
R401	7030005120	S.RES ERJ2GEJ 102 X (1K)	T	42.8/2.3
R402	7030005120	S.RES ERJ2GEJ 102 X (1K)	T	45.3/3.4
R403	7030005120	S.RES ERJ2GEJ 102 X (1K)	T	45.3/2.5
R404	7030009270	S.RES ERJ2GEJ 821 X (820)	B	43.1/9.6
R405	7030008250	S.RES RR0510P-562-D (5.6K)	B	39.5/7.9
R406	7030011170	S.RES RR0510P-471-D (470)	B	40/9.1
R410	7030005580	S.RES ERJ2GEJ 560 X (56)	T	39.3/15
R450	7030006610	S.RES ERJ2GEJ 394 X (390K)	T	50.2/12.4
R451	7030007340	S.RES ERJ2GEJ 153 X (15K)	T	49/12.9
R452	7030005100	S.RES ERJ2GEJ 154 X (150K)	T	46.9/14.2
R453	7030005700	S.RES ERJ2GEJ 274 X (270K)	T	48.1/12.9
R455	7030004980	S.RES ERJ2GEJ 101 X (100)	T	43.2/15.9
R456	7030005070	S.RES ERJ2GEJ 683 X (68K)	T	44.5/15.8
R457	7030005080	S.RES ERJ2GEJ 823 X (82K)	T	48.3/16.8
R458	7030005120	S.RES ERJ2GEJ 102 X (1K)	T	48.3/15.9
R459	7030005000	S.RES ERJ2GEJ 471 X (470)	T	30.3/20.1
R460	7030005090	S.RES ERJ2GEJ 104 X (100K)	T	36.3/20
R470	7030005000	S.RES ERJ2GEJ 471 X (470)	T	32.2/27.4
R471	7030005110	S.RES ERJ2GEJ 224 X (220K)	T	36.5/24.5
R472	7030007290	S.RES ERJ2GEJ 222 X (2.2K)	T	27.5/22.7
R473	7030007290	S.RES ERJ2GEJ 222 X (2.2K)	T	29.3/24.8
R474	7030007290	S.RES ERJ2GEJ 222 X (2.2K)	T	25.7/23.8
R500	7030005090	S.RES ERJ2GEJ 104 X (100K)	B	9.9/22.6
R501	7030005120	S.RES ERJ2GEJ 102 X (1K)	B	13.7/24.5
R502	7030008010	S.RES ERJ2GEJ 123 X (12K)	B	15/27.9
R503	7030007340	S.RES ERJ2GEJ 153 X (15K)	B	15.9/27.9
R504	7030007060	S.RES ERJ2GEJ 684X (680K)	B	16.8/25.4
R505	7030005110	S.RES ERJ2GEJ 224 X (220K)	B	20.4/24.3
R506	7030005090	S.RES ERJ2GEJ 104 X (100K)	B	14.1/28
R507	7030005220	S.RES ERJ2GEJ 223 X (22K)	B	15.7/23.8
R508	7030005220	S.RES ERJ2GEJ 223 X (22K)	B	26/25.9
R509	7030005220	S.RES ERJ2GEJ 223 X (22K)	B	26/27.8
R550	7030005090	S.RES ERJ2GEJ 104 X (100K)	B	13.2/33.5
R551	7030005120	S.RES ERJ2GEJ 102 X (1K)	B	12.8/31.8
R552	7030008010	S.RES ERJ2GEJ 123 X (12K)	B	14.2/33.5
R553	7030007340	S.RES ERJ2GEJ 153 X (15K)	B	15.1/33.5
R554	7030007060	S.RES ERJ2GEJ 684X (680K)	B	16.3/31.3
R555	7030005110	S.RES ERJ2GEJ 224 X (220K)	B	21.3/29.3
R556	7030005090	S.RES ERJ2GEJ 104 X (100K)	B	16/33.5
R557	7030005220	S.RES ERJ2GEJ 223 X (22K)	B	16.7/29.9
R558	7030005220	S.RES ERJ2GEJ 223 X (22K)	B	26/30.8
R559	7030005220	S.RES ERJ2GEJ 223 X (22K)	B	26/32.6
R560	7030005100	S.RES ERJ2GEJ 154 X (150K)	B	20.6/34.4
R562	7030005160	S.RES ERJ2GEJ 105 X (1M)	B	22/35.6
R563	7030008280	S.RES ERJ2GEJ 271 X (270)	B	26.7/35.6
R564	7030005170	S.RES ERJ2GEJ 474 X (470K)	B	23.8/35.6
R565	7030007290	S.RES ERJ2GEJ 222 X (2.2K)	B	26.8/34.3
R566	7030005040	S.RES ERJ2GEJ 472 X (4.7K)	B	27.6/30.8
R567	7030005050	S.RES ERJ2GEJ 103 X (10K)	B	27.6/31.7
R600	7030005050	S.RES ERJ2GEJ 103 X (10K)	B	28.1/27.5
R601	7030005160	S.RES ERJ2GEJ 105 X (1M)	B	28.7/33.5
R602	7030005160	S.RES ERJ2GEJ 105 X (1M)	T	32.3/25.4
R603	7030005050	S.RES ERJ2GEJ 103 X (10K)	B	27.2/27.8
R604	7030005160	S.RES ERJ2GEJ 105 X (1M)	B	27.2/26.2
R650	7030005160	S.RES ERJ2GEJ 105 X (1M)	B	47.2/5.8
R651	7030005050	S.RES ERJ2GEJ 103 X (10K)	B	47.2/7.4
R652	7030005000	S.RES ERJ2GEJ 471 X (470)	B	48.1/7.4
R653	7030005050	S.RES ERJ2GEJ 103 X (10K)	B	50.6/8.1
R654	7030005040	S.RES ERJ2GEJ 472 X (4.7K)	B	49.7/9.7
R700	7030005120	S.RES ERJ2GEJ 102 X (1K)	T	5.3/28.5
R702	7030005220	S.RES ERJ2GEJ 223 X (22K)	B	16.1/22.1
R703	7030005040	S.RES ERJ2GEJ 472 X (4.7K)	B	17/23.3
R706	7030005950	S.RES RR0510P-123-D (12K)	B	43.1/38.8
R707	7030005950	S.RES RR0510P-123-D (12K)	B	42.2/38.8
R708	7030008270	S.RES RR0510P-104-D (100K)	B	41.3/38.8
R709	7030008270	S.RES RR0510P-104-D (100K)	B	44/38.8
R710	7030005050	S.RES ERJ2GEJ 103 X (10K)	B	49.8/39.3
R711	7030005050	S.RES ERJ2GEJ 103 X (10K)	B	50.7/39.3
R713	7030005050	S.RES ERJ2GEJ 103 X (10K)	T	35.2/34.4
R714	7030005840	S.RES RR0510P-473-D (47K)	B	40.4/40.4
R715	7030005840	S.RES RR0510P-473-D (47K)	B	40.4/42

[MAIN UNIT]

REF NO.	PARTS NO.	DESCRIPTION	M.	H/V LOCATION
C3	4030016790	S.CER ECJ0EB1C103K	B	44/36.8
C4	4030016790	S.CER ECJ0EB1C103K	T	38/42.1
C5	4030017580	S.CER ECJ0EC1H060C	T	36.6/44.3
C6	4030017630	S.CER ECJ0EC1H120J	T	30.3/41.6
C7	4030017580	S.CER ECJ0EC1H060C	T	26.9/45.7
C8	4030016790	S.CER ECJ0EB1C103K	T	25.3/47
C9	4030016790	S.CER ECJ0EB1C103K	T	21.8/45.4
C10	4030017620	S.CER ECJ0EC1H100C	B	33.7/35.7
C12	4030016790	S.CER ECJ0EB1C103K	T	36.7/38.3
C13	4030017430	S.CER ECJ0EC1H101J	T	31.7/39
C14	4030017460	S.CER ECJ0EB1E102K	T	32/36.9
C15	4030016790	S.CER ECJ0EB1C103K	T	28/40.7
C16	4030016930	S.CER ECJ0EB1A104K	T	29.2/37.7
C17	4030016930	S.CER ECJ0EB1A104K	T	25/45.7
C18	4030017380	S.CER ECJ0EC1H050B	B	36.2/34.6
C19	4030017510	S.CER ECJ0EC1H680J	B	35.8/35.8
C20	4030017510	S.CER ECJ0EC1H680J	B	36.7/35.8
C24	4030017780	S.CER ECJ0EB1E472K	T	27.3/47.9
C25	4030017780	S.CER ECJ0EB1E472K	T	22.6/43.8
C26	4030017780	S.CER ECJ0EB1E472K	B	38.8/35.8
C29	4030017780	S.CER ECJ0EB1E472K	T	37.5/44.3
C30	4030016790	S.CER ECJ0EB1C103K	B	39.2/34.6
C50	4030017510	S.CER ECJ0EC1H680J	T	32.3/14.2
C51	4030017620	S.CER ECJ0EC1H100C	T	32.3/12.6
C52	4030017460	S.CER ECJ0EB1E102K	T	34.7/15.2
C54	4030016790	S.CER ECJ0EB1C103K	T	34.6/11.4
C56	4030017570	S.CER ECJ0EC1H040B	B	36.7/5.7
C57	4030017390	S.CER ECJ0EC1H180J	B	33.8/2.4
C58	4030017570	S.CER ECJ0EC1H040B	B	27.6/5.7
C59	4030016790	S.CER ECJ0EB1C103K	B	27.4/9.1
C60	4030017510	S.CER ECJ0EC1H680J	T	32.3/15.1
C61	4030017620	S.CER ECJ0EC1H100C	B	51.5/36.3
C102	4030016790	S.CER ECJ0EB1C103K	T	20.8/47.5
C104	4030017460	S.CER ECJ0EB1E102K	T	19.9/47.5
C105	4030016790	S.CER ECJ0EB1C103K	T	18.7/42.1
C106	4030017460	S.CER ECJ0EB1E102K	B	17.7/46.5
C108	4030017510	S.CER ECJ0EC1H680J	B	16.1/46.5
C109	4030018140	S.CER ECJ0EB1H391K	B	16.1/45.6
C111	4030017680	S.CER ECJ0EC1H820J	T	16.7/37.9
C112	4030017430	S.CER ECJ0EC1H101J	T	16.7/40
C113	4030016790	S.CER ECJ0EB1C103K	T	18.8/40.4
C114	4550006010	S.TAN TEESVA OG 106M8R	T	20.7/38.3
C115	4030016930	S.CER ECJ0EB1A104K	T	18.8/36.7
C116	4030016930	S.CER ECJ0EB1A104K	T	18.8/37.6
C117	4030017040	S.CER ECJ0EB1A333K	T	17.6/40
C118	4030017460	S.CER ECJ0EB1E102K	T	17.1/36.7
C119	4030017460	S.CER ECJ0EB1E102K	T	17.1/35.8
C120	4030017460	S.CER ECJ0EB1E102K	T	10.3/35.7
C121	4030017730	S.CER ECJ0EB1E471K	T	9.1/36.1
C122	4030017730	S.CER ECJ0EB1E471K	T	7.5/36.1
C123	4030016930	S.CER ECJ0EB1A104K	T	7.7/40.2
C124	4030016930	S.CER ECJ0EB1A104K	B	11.9/38.5
C125	4030016930	S.CER ECJ0EB1A104K	B	11.2/35.7
C126	4030017430	S.CER ECJ0EC1H101J	B	10.6/40.4
C127	4030018900	S.CER ECJ0EB0J474K	B	5.8/46.7
C128	4030016790	S.CER ECJ0EB1C103K	B	8.5/44.3
C129	4030017460	S.CER ECJ0EB1E102K	B	3.8/42.4
C130	4550006120	S.TAN TEESVA OG 226M8R	B	2.2/41.2
C131	4030016930	S.CER ECJ0EB1A104K	B	9.9/38.3
C132	4030017460	S.CER ECJ0EB1E102K	B	9.9/39.2
C133	4030017460	S.CER ECJ0EB1E102K	B	3.8/40.3
C134	4030016790	S.CER ECJ0EB1C103K	B	7.8/36.4
C135	4030018860	S.CER ECJ0EB0J105K	B	8.3/32.6
C136	4030016930	S.CER ECJ0EB1A104K	T	4.5/44
C137	4030016930	S.CER ECJ0EB1A104K	B	12.3/42
C138	4030016790	S.CER ECJ0EB1C103K	T	13.7/35.9
C142	4030017430	S.CER ECJ0EC1H101J	B	9.7/43.8
C143	4030018860	S.CER ECJ0EB0J105K	B	9.9/36.5
C144	4030018860	S.CER ECJ0EB0J105K	B	7.8/38.2
C150	4030017770	S.CER ECJ0EB1E332K	T	21.6/30.8
C151	4030017720	S.CER ECJ0EB1H331K	T	22.5/30.8
C152	4030016940	S.CER ECJ0EB1A393K	T	8.2/32
C153	4030017910	S.CER ECJ0EB1H152K	T	10.9/31
C154	4030016930	S.CER ECJ0EB1A104K	T	10.5/33.1
C155	4030018860	S.CER ECJ0EB0J105K	T	16/29.8
C156	4030016930	S.CER ECJ0EB1A104K	T	10/30.3
C157	4030016930	S.CER ECJ0EB1A104K	T	21.8/33.7
C158	4030017430	S.CER ECJ0EC1H101J	T	20.2/31
C159	4030017460	S.CER ECJ0EB1E102K	T	25.9/34.5
C160	4030017460	S.CER ECJ0EB1E102K	T	22.2/34.7
C203	4030016790	S.CER ECJ0EB1C103K	B	29.7/10.9
C204	4030017460	S.CER ECJ0EB1E102K	B	29.7/11.8
C205	4030016790	S.CER ECJ0EB1C103K	B	26.4/16.3
C206	4030016930	S.CER ECJ0EB1A104K	T	21.3/23.6
C207	4030017680	S.CER ECJ0EC1H820J	B	21.8/19.4
C208	4030016930	S.CER ECJ0EB1A104K	T	21.4/19
C210	4030017460	S.CER ECJ0EB1E102K	T	22.9/23.6
C211	4030017430	S.CER ECJ0EC1H101J	B	24.1/20.3
C212	4030017040	S.CER ECJ0EB1A333K	B	23.4/19.4
C213	4030016790	S.CER ECJ0EB1C103K	B	26.2/19.9
C214	4550006010	S		

[MAIN UNIT]

REF NO.	PARTS NO.	DESCRIPTION	M.	H/V LOCATION
C223	4030016930	S.CER ECJ0EB1A104K	B	19.7/16.3
C224	4030016930	S.CER ECJ0EB1A104K	B	22/10.9
C225	4030016930	S.CER ECJ0EB1A104K	B	20.8/9.6
C226	4030017420	S.CER ECJ0EC1H470J	T	18.5/5.1
C227	4030018900	S.CER ECJ0EB0J474K	T	12.9/4.6
C228	4030016790	S.CER ECJ0EB1C103K	T	15.9/5.1
C229	4030017460	S.CER ECJ0EB1E102K	T	11.5/2.8
C230	4550006120	S.TAN TEESVA 0G 226M8R	B	6.4/3.6
C231	4030017460	S.CER ECJ0EB1E102K	T	10.6/2.8
C232	4030016790	S.CER ECJ0EB1C103K	T	7.8/7.5
C233	4030018860	S.CER ECJ0EB0J105K	T	5.9/12.3
C234	4030016930	S.CER ECJ0EB1A104K	T	15/7.8
C235	4030017460	S.CER ECJ0EB1E102K	T	15/6.9
C236	4030016930	S.CER ECJ0EB1A104K	B	17/12.1
C237	4030016930	S.CER ECJ0EB1A104K	B	18.5/9.7
C238	4030016930	S.CER ECJ0EB1A104K	B	16.6/16.9
C239	4030016930	S.CER ECJ0EB1A104K	B	16.1/20.2
C240	4030016930	S.CER ECJ0EB1A104K	B	17.9/20.9
C241	4030016930	S.CER ECJ0EB1A104K	B	16.7/18.1
C243	4030017780	S.CER ECJ0EB1E472K	B	18.8/20.9
C244	4030017780	S.CER ECJ0EB1E472K	B	17/20.2
C250	4030017770	S.CER ECJ0EB1E332K	T	21.7/26.4
C251	4030017720	S.CER ECJ0EB1H331K	T	22.6/26.4
C252	4030016940	S.CER ECJ0EB1A393K	T	7.4/26
C253	4030017910	S.CER ECJ0EB1H152K	T	11/26.7
C254	4030016930	S.CER ECJ0EB1A104K	T	11/28.3
C255	4030018860	S.CER ECJ0EB0J105K	T	12/25.1
C256	4030016930	S.CER ECJ0EB1A104K	T	10.1/26
C257	4030016930	S.CER ECJ0EB1A104K	T	21.9/27.7
C258	4030017430	S.CER ECJ0EC1H101J	T	20.1/25.9
C259	4030017460	S.CER ECJ0EB1E102K	T	10.6/21.8
C260	4030017460	S.CER ECJ0EB1E102K	T	9.6/21.8
C261	4030018860	S.CER ECJ0EB0J105K	T	9/7.9
C262	4030018860	S.CER ECJ0EB0J105K	T	7.7/10.1
C263	4030017460	S.CER ECJ0EB1E102K	B	43.5/11.8
C300	4030017460	S.CER ECJ0EB1E102K	T	33.9/4.2
C301	4030017460	S.CER ECJ0EB1E102K	T	33.9/3.3
C302	4550006010	S.TAN TEESVA 0G 106M8R	T	32.3/5.9
C303	4030017460	S.CER ECJ0EB1E102K	T	31.5/8.3
C305	4030017640	S.CER ECJ0EC1H150J	T	31.5/7.4
C306	4030017650	S.CER ECJ0EC1H270J	T	30.2/10.6
C307	4030017420	S.CER ECJ0EC1H470J	T	31.5/10.1
C308	4030017340	S.CER ECJ0EC1H010B	T	28.9/10.7
C309	4030017400	S.CER ECJ0EC1H220J	T	25/7.5
C350	4030017460	S.CER ECJ0EB1E102K	T	27.3/4.7
C351	4030017460	S.CER ECJ0EB1E102K	T	27.3/3.7
C352	4030017460	S.CER ECJ0EB1E102K	T	25/5.6
C353	4030017430	S.CER ECJ0EC1H101J	T	24.5/10.8
C355	4030017640	S.CER ECJ0EC1H150J	T	27.3/11.1
C356	4030017630	S.CER ECJ0EC1H120J	T	26.4/14
C357	4030017390	S.CER ECJ0EC1H180J	T	24.5/11.8
C358	4030017550	S.CER ECJ0EC1H1R5B	T	27.5/14.9
C359	4030017460	S.CER ECJ0EB1E102K	T	31.1/13
C360	4030017460	S.CER ECJ0EB1E102K	T	28.9/12
C400	4030018890	S.CER ECJ0EB0J224K	T	41.2/14
C401	4030017460	S.CER ECJ0EB1E102K	T	41.2/14.9
C402	4030018890	S.CER ECJ0EB0J224K	T	41.2/16.7
C403	4030017460	S.CER ECJ0EB1E102K	T	41.2/15.8
C404	4030017460	S.CER ECJ0EB1E102K	T	40.2/12.8
C405	4030016790	S.CER ECJ0EB1C103K	T	44.5/14.2
C406	4030017420	S.CER ECJ0EC1H470J	T	41.2/3.5
C407	4030017420	S.CER ECJ0EC1H470J	T	41.2/2.6
C408	4030017420	S.CER ECJ0EC1H470J	T	45.3/4.3
C409	4030017420	S.CER ECJ0EC1H470J	T	45.3/1.6
C410	4030016930	S.CER ECJ0EB1A104K	T	41.4/12.8
C411	4550005980	S.TAN TEESVA 1A 475M8R	B	43.6/6.6
C412	4340000260	S.MYL ECPU1C104MA5	T	35.6/5.3
C414	4550007610	S.TAN F931E474MAABMA	B	41.5/6.6
C415	4030017620	S.CER ECJ0EC1H100K	B	40/6.5
C416	4030017460	S.CER ECJ0EB1E102K	T	39.3/13.4
C450	4030016930	S.CER ECJ0EB1A104K	T	50.3/8.7
C451	4030017460	S.CER ECJ0EB1E102K	T	50.6/6.6
C452	4030018860	S.CER ECJ0EB0J105K	T	49/14.5
C453	4030017460	S.CER ECJ0EB1E102K	T	46.9/12.4
C454	4030017460	S.CER ECJ0EB1E102K	T	46.9/13.3
C455	4030016790	S.CER ECJ0EB1C103K	T	48.3/17.7
C456	4030016790	S.CER ECJ0EB1C103K	T	48.3/18.6
C457	4030017460	S.CER ECJ0EB1E102K	T	27.5/21.1
C458	4030016790	S.CER ECJ0EB1C103K	T	31.7/18.9
C459	4030017430	S.CER ECJ0EC1H101J	T	37.5/19.5
C460	4030017390	S.CER ECJ0EC1H180J	T	32.6/18.9
C461	4030017360	S.CER ECJ0EC1H030B	T	30.8/18.9
C462	4030017630	S.CER ECJ0EC1H120J	T	29.9/18.9
C463	4030017570	S.CER ECJ0EC1H040B	T	27.8/19.5
C464	4030017460	S.CER ECJ0EB1E102K	T	29.4/22.7
C465	4030016790	S.CER ECJ0EB1C103K	T	33.5/22.6
C466	4030017420	S.CER ECJ0EC1H470J	T	37.6/20.8
C467	4030017630	S.CER ECJ0EC1H120J	T	34.4/22.6
C468	4030017350	S.CER ECJ0EC1H020B	T	32.6/22.7
C469	4030017600	S.CER ECJ0EC1H080K	T	31.7/22.7
C470	4030017570	S.CER ECJ0EC1H040B	T	29.3/23.9
C471	4030017420	S.CER ECJ0EC1H470J	T	49.6/16.9
C472	4030017460	S.CER ECJ0EB1E102K	T	30/36.3
C473	4030016790	S.CER ECJ0EB1C103K	T	48.3/19.5
C474	4030017780	S.CER ECJ0EB1E472K	T	30/35.4
C475	4030017780	S.CER ECJ0EB1E472K	T	25.7/21.6
C476	4030017620	S.CER ECJ0EC1H100C	T	47.4/5.1
C477	4030017500	S.CER ECJ0EC1H560J	T	48.3/5.1

[MAIN UNIT]

REF NO.	PARTS NO.	DESCRIPTION	M.	H/V LOCATION
C478	4030017440	S.CER ECJ0EC1H221J	T	51.2/8.7
C479	4030018860	S.CER ECJ0EB0J105K	T	48.1/14.5
C500	4030016930	S.CER ECJ0EB1A104K	B	5.8/27.2
C501	4030017460	S.CER ECJ0EB1E102K	B	5.8/28.1
C502	4030017460	S.CER ECJ0EB1E102K	B	8.6/22.6
C503	4030017460	S.CER ECJ0EB1E102K	B	5.8/29
C504	4030016930	S.CER ECJ0EB1A104K	B	15/25.4
C505	4030016790	S.CER ECJ0EB1C103K	B	15.4/26.6
C506	4030017790	S.CER ECJ0EB1E682K	B	15.9/25.4
C507	4030018920	S.CER ECJ0EB1H392K	B	16.8/27
C508	4030016930	S.CER ECJ0EB1A104K	B	13.2/27.9
C509	4030016930	S.CER ECJ0EB1A104K	B	18.1/28.6
C510	4030016790	S.CER ECJ0EB1C103K	B	14.5/23.6
C512	4030017790	S.CER ECJ0EB1E682K	B	26/26.9
C513	4030017910	S.CER ECJ0EB1H152K	B	24.7/28.6
C514	4030016930	S.CER ECJ0EB1A104K	B	26.8/25
C550	4030016930	S.CER ECJ0EB1A104K	B	14.2/31.8
C551	4030016790	S.CER ECJ0EB1C103K	B	15.1/31.7
C552	4030017780	S.CER ECJ0EB1E472K	B	15.5/30.4
C553	4030018240	S.CER ECJ0EB1E562K	B	16.3/32.3
C554	4030016930	S.CER ECJ0EB1A104K	B	16.9/33.5
C555	4030016790	S.CER ECJ0EB1C103K	B	15.5/29.4
C556	4030017790	S.CER ECJ0EB1E682K	B	26/31.7
C557	4030017910	S.CER ECJ0EB1H152K	B	25.1/33.5
C558	4030016930	S.CER ECJ0EB1A104K	B	26/29.9
C559	4030016930	S.CER ECJ0EB1A104K	B	18.1/33.5
C560	4030018390	S.CER ECJ0EB1A563K	B	22.2/34.4
C561	4030017330	S.CER ECJ0EF1C104Z	B	22.9/35.6
C562	4030017460	S.CER ECJ0EB1E102K	B	21.1/35.6
C563	4030016930	S.CER ECJ0EB1A104K	B	29.1/36
C564	4030016930	S.CER ECJ0EB1A104K	B	27.3/32.9
C600	4550006970	S.TAN TEESVA0G476M8R	B	31.9/22
C601	4030017460	S.CER ECJ0EB1E102K	B	32.3/34.1
C602	4030017460	S.CER ECJ0EB1E102K	B	28.1/29.1
C603	4550006010	S.TAN TEESVA 0G 106M8R	B	39.4/31.3
C614	4030017440	S.CER ECJ0EC1H221J	B	35.5/17.1
C650	4030017460	S.CER ECJ0EB1E102K	B	51.3/6.4
C651	4030017460	S.CER ECJ0EB1E102K	B	48.1/5.8
C652	4030017460	S.CER ECJ0EB1E102K	B	50.6/9.7
C653	4030017460	S.CER ECJ0EB1E102K	B	49.7/8.1
C654	4550006250	S.TAN TEESVA 1A 106M8R	B	49.3/12.1
C655	4030017440	S.CER ECJ0EC1H221J	B	50.6/13.9
C700	4030017460	S.CER ECJ0EB1E102K	T	29.8/30.3
C701	4030017460	S.CER ECJ0EB1E102K	T	29.8/29.4
C702	4030017460	S.CER ECJ0EB1E102K	B	37.3/16.6
C703	4030017460	S.CER ECJ0EB1E102K	B	40.3/24.1
C704	4030017460	S.CER ECJ0EB1E102K	T	5.1/18
C705	4030017460	S.CER ECJ0EB1E102K	T	5/34.3
C706	4030017460	S.CER ECJ0EB1E102K	T	5.3/27.5
C707	4030017460	S.CER ECJ0EB1E102K	B	46.7/38.8
C708	4030017460	S.CER ECJ0EB1E102K	B	48.9/41.2
C709	4030017460	S.CER ECJ0EB1E102K	B	40.4/38.8
C710	4030017460	S.CER ECJ0EB1E102K	B	44.9/38.8
C711	4030017460	S.CER ECJ0EB1E102K	T	29.8/26.2
C712	4030017460	S.CER ECJ0EB1E102K	T	29.8/27.1
C713	4030017460	S.CER ECJ0EB1E102K	T	22.5/32.4
C714	4030017460	S.CER ECJ0EB1E102K	T	23.4/32.8
C715	4030017460	S.CER ECJ0EB1E102K	T	29.8/28
C716	4030017460	S.CER ECJ0EB1E102K	T	29.8/31.2
C717	4030017460	S.CER ECJ0EB1E102K	T	29.8/32.1
C718	4030017460	S.CER ECJ0EB1E102K	T	29.8/33
C719	4030017460	S.CER ECJ0EB1E102K	B	45.8/38.8
C723	4030017420	S.CER ECJ0EC1H470J	B	17/22.1
C724	4030017400	S.CER ECJ0EC1H220J	T	46.8/47.8
C725	4030017400	S.CER ECJ0EC1H220J	T	41/47.8
C726	4030017400	S.CER ECJ0EC1H220J	T	40.3/44
C727	4030017400	S.CER ECJ0EC1H220J	T	46/42.9
C730	4030017440	S.CER ECJ0EC1H221J	B	41.6/34.3
C731	4030017440	S.CER ECJ0EC1H221J	B	41.6/35.2
C733	4030017440	S.CER ECJ0EC1H221J	B	51.7/30.9
C734	4030017440	S.CER ECJ0EC1H221J	B	51.7/32.1
C735	4030017460	S.CER ECJ0EB1E102K	B	41.6/31.6
C751	4030017420	S.CER ECJ0EC1H470J	T	47.1/41.2
C752	4030017420	S.CER ECJ0EC1H470J	T	48.9/41.2
C753	4030017460	S.CER ECJ0EB1E102K	T	48.3/38
C754	4030017400	S.CER ECJ0EC1H220J	T	51/36.4
C755	4030017400	S.CER ECJ0EC1H220J	T	50.6/34.1
C756	4030017400	S.CER ECJ0EC1H220J	T	51.5/34.1
C757	4030017420	S.CER ECJ0EC1H470J	T	50.3/32.9
C758	4030017420	S.CER ECJ0EC1H470J	T	51.5/32.5
C760	4030017460	S.CER ECJ0EB1E102K	T	49.4/28.2
C764	4030017400	S.CER ECJ0EC1H220J	T	49.4/30
C765	4030017400	S.CER ECJ0EC1H220J	T	47.1/23.3
C766	4030017400	S.CER ECJ0EC1H220J	T	47.1/24.9
C771	4030017440	S.CER ECJ0EC1H221J	T	48/41.2
C772	4030017400	S.CER ECJ0EC1H220J	T	37/35.4
C773	4030017420	S.CER ECJ0EC1H470J	T	49.2/37.6
C775	4030017420	S.CER ECJ0EC1H470J	T	51/35.5
C777	4030017420	S.CER ECJ0EC1H470J	T	49.7/34.1
C779	4030017420	S.CER ECJ0EC1H470J	T	49.4/31.6
C781	4030017420	S.CER ECJ0EC1H470J	T	37/27.8
C789	4030017400	S.CER ECJ0EC1H220J	T	49.4/29.1
C790	4030017420	S.CER ECJ0EC1H470J</		

[MAIN UNIT]

REF NO.	PARTS NO.	DESCRIPTION	M.	H/V LOCATION
S700	2260002840	SWI SKHLLFA010		
S701	2260002840	SWI SKHLLFA010		
EP50	6910018460	S.BEA MMZ1005Y102C-T	T	36.1/14.1
EP100	6910018460	S.BEA MMZ1005Y102C-T	T	22.2/37.8
EP200	6910018460	S.BEA MMZ1005Y102C-T	B	22.6/22.3
EP400	6910018460	S.BEA MMZ1005Y102C-T	T	42.6/12.5
EP401	6910018460	S.BEA MMZ1005Y102C-T	T	43/13.4
EP450	6910018460	S.BEA MMZ1005Y102C-T	T	50.2/13.3
EP750	6910018460	S.BEA MMZ1005Y102C-T	T	48.9/39.6
EP751	6910018460	S.BEA MMZ1005Y102C-T	T	47.1/34.3
EP752	6910018460	S.BEA MMZ1005Y102C-T	T	48.5/33.5
EP755	6910018460	S.BEA MMZ1005Y102C-T	T	38.6/35.4
EP756	6910018460	S.BEA MMZ1005Y102C-T	T	47.4/37.6
EP757	6910018460	S.BEA MMZ1005Y102C-T	T	38.6/30.7
EP758	6910018460	S.BEA MMZ1005Y102C-T	T	48.2/35.8
EP759	6910018460	S.BEA MMZ1005Y102C-T	T	38.6/27.8
EP760	6910018460	S.BEA MMZ1005Y102C-T	T	47.2/27.5
MP300	8510016470	S.CAS 2775 VCO CASE	T	29.9/9.2
MP302	8510017840	S.PLA OG-321610G	B	23/46.9

[LOGIC UNIT]

REF NO.	PARTS NO.	DESCRIPTION	M.	H/V LOCATION
IC1	1140014390	S.IC HD64F2239TF16V	B	16.9/25.4
IC2	1130013010	S.IC SN74AHC1G08DCK3	B	24.3/32.3
IC50	1130011770	S.IC CD4066BPWR	B	5.4/10.9
IC51	1140012950	S.IC 24LC512T-I/SM	B	21.6/39.7
IC52	1120003020	S.IC MAX3221IPWR	B	19.3/48
IC53	1130011760	S.IC CD4094BPWR	B	41.9/23.2
IC100	1180002790	S.REG R1150H022D-T1-F	B	26.6/47.1
IC101	1110006930	S.IC XC6371A551PR	B	93.7/48.7
IC102	1190002120	S.IC XC9201D09AKR	B	94.5/18
IC103	1180002590	S.REG XC6204B332MR	B	84.2/14.1
IC104	1110006520	S.IC LMV331IDCKR	B	93.2/32.1
IC300	1110005310	S.IC AN6123MS	B	37.3/33.8
IC301	1130008511	S.IC TC7W53FU(TE12L,F)	B	41.4/39.1
IC302	1110006470	S.IC LMV324IPWR	B	51.9/34.2
IC303	1130008511	S.IC TC7W53FU(TE12L,F)	B	16.9/5.8
IC400	1110002810	S.IC NJM2070M-TE1-#ZZZB	B	32.4/3.9
IC500	1130013440	S.IC SN74LVC2G74DCTR	B	69.8/21.6
IC501	1110005430	S.IC CMX589AD5	B	50.5/47.6
IC502	1130007021	S.IC TC7S66FU(TE85L,F)	B	45.3/42.3
IC503	1130011631	S.IC AD73311ARSZ	B	74.7/45.5
IC504	1110005290	S.IC NJM2115V-TE1-#ZZZB	B	61.7/45.7
IC505	1130011930	S.IC SN74LVC1G04DCKR	B	85.3/19.2
IC506	1130010920	S.IC AMBE-2020	B	78.2/31.4
IC507	1110006090	S.IC XC6202P502PR	B	61.3/11.6
IC508	1180002371	S.REG R1111N321B-TR-F	B	64/20.7
Q50	1540000660	S.TRA 2SD2216J-S	B	13.7/35.4
Q51	1540000660	S.TRA 2SD2216J-S	T	20.2/2.8
Q52	1590003290	S.TRA UNR9213J-(TX)	B	1.6/9.1
Q53	1590003250	S.TRA UNR9115J-(TX)	B	7/16.6
Q100	1590002580	S.FET HAT1024R-EL	B	97.2/32.2
Q101	1550000090	S.FET RSQ035P03TR	B	91.1/16.7
Q102	1590003230	S.TRA UNR9113J-(TX)	B	96.5/36.8
Q150	1510000671	S.TRA 2SA1588-GR(TE85R, F)	B	80.5/11.4
Q151	1520000651	S.TRA 2SB1201S-TL-E	B	89.4/6.9
Q152	1590003290	S.TRA UNR9213J-(TX)	B	78.8/6.4
Q153	1590001170	S.TRA XP1501-(TX).AB	B	83.3/4.1
Q200	1590003290	S.TRA UNR9213J-(TX)	T	37.1/12.4
Q201	1590003290	S.TRA UNR9213J-(TX)	T	39.4/14.2
Q202	1590003430	S.TRA UNR911HJ-(TX)	T	50.7/22.9
Q300	1510001100	S.TRA 2SA1832-GR(TE85R,F)	B	31.4/50.2
Q301	1590003290	S.TRA UNR9213J-(TX)	B	39.9/5.1
Q302	1590003230	S.TRA UNR9113J-(TX)	T	41.3/40.3
Q303	1590001410	S.TRA XP1215(TX)	B	32.1/46.1
Q304	1530004000	S.TRA 2SC4738-GR(TE85L,F)	B	41/43.7
Q305	1590003290	S.TRA UNR9213J-(TX)	B	44/29.3
Q306	1590001770	S.TRA XP1213(TX)	B	50.4/24
Q307	1590003250	S.TRA UNR9115J-(TX)	B	50.4/21.6
Q309	1590003290	S.TRA UNR9213J-(TX)	B	47.8/31.5
Q310	1590003250	S.TRA UNR9115J-(TX)	B	15.5/2
Q311	1530003091	S.TRA 2SC4213-B(TE85R,F)	B	19.9/1.8
Q400	1520000651	S.TRA 2SB1201S-TL-E	B	74.4/10.7
Q401	1590001170	S.TRA XP1501-(TX).AB	B	56.3/13.5
Q402	1530002841	S.TRA 2SC4116-Y(TE85R,F)	B	59.5/18.4
Q403	1560001330	S.FET RSR025N03	B	59/22.6
Q404	1560001330	S.FET RSR025N03	B	55.6/20.8
Q405	1590003290	S.TRA UNR9213J-(TX)	B	56.5/17.9
Q500	1530004000	S.TRA 2SC4738-GR(TE85L,F)	B	69.2/17.8
Q501	1590003290	S.TRA UNR9213J-(TX)	T	50.9/50.3
Q502	1590003290	S.TRA UNR9213J-(TX)	B	45.7/38.8
Q503	1590003290	S.TRA UNR9213J-(TX)	T	66.6/38.1
Q504	1510001100	S.TRA 2SA1832-GR(TE85R,F)	T	66.6/42.1
Q505	1530004000	S.TRA 2SC4738-GR(TE85L,F)	B	82.9/20.9
Q506	1510001100	S.TRA 2SA1832-GR(TE85R,F)	T	66.9/33.2
Q507	1590001170	S.TRA XP1501-(TX).AB	B	64.2/30.9
Q600	1550000160	S.FET CPH3313-TL-E	B	17/39.3
Q601	1590003290	S.TRA UNR9213J-(TX)	B	42.4/27.1

[LOGIC UNIT]

REF NO.	PARTS NO.	DESCRIPTION	M.	H/V LOCATION
D1	1790001200	S.DIO MA6S121(TX)	T	54.1/43
D2	1790001250	S.DIO MA2S111-(TX)	T	50.8/45.3
D4	1790000850	S.DIO MA132WK(TX)	B	79.6/45.3
D13	1790001260	S.DIO MA2S077-(TX)	B	9.9/33.9
D50	1790001240	S.DIO MA2S728-(TX)	B	13.1/38.2
D51	1790001250	S.DIO MA2S111-(TX)	B	22/34.4
D52	1790001240	S.DIO MA2S728-(TX)	B	14.3/37.7
D53	1730002300	S.ZEN MA8082-M(TX)	T	25.6/3.2
D54	1790001250	S.DIO MA2S111-(TX)	T	28.5/32
D100	1790001250	S.DIO MA2S111-(TX)	B	28.1/42.8
D101	1750000880	S.DIO RB551V-30TE-17	B	90.3/47.9
D102	1750001630	S.DIO RB161VA-20TR	B	91.3/19.5
D103	1790001250	S.DIO MA2S111-(TX)	B	90.4/32.2
D150	1790000860	S.DIO MA133(TX)	B	85.7/6.9
D151	1790000671	S.DIO SB07-03C-TB-E	B	97.3/8.2
D200	1790001250	S.DIO MA2S111-(TX)	T	34.5/12.1
D300	1790001810	S.VAR AVR-M1005C080MTABB	B	38.1/51
D500	1790001240	S.DIO MA2S728-(TX)	B	86.3/23.3
D600	1790001250	S.DIO MA2S111-(TX)	B	14.4/40.2
D601	1790001240	S.DIO MA2S728-(TX)	B	41.8/28.7
X1	6050012730	S.XTA CR-864(SMD-49/12.288 MHz)	B	3.8/28.4
X500	6050012300	S.XTA CR-821 DSB321SC 9.8304 MHz	B	75.2/16.1
X501	6050012290	S.XTA CR-820 DSB321SC 16.384 MHz	B	76.4/20.8
L100	6190001571	S.COI CDRH5D28NP-101NC 100U	B	92.8/42.6
L101	6190001571	S.COI CDRH5D28NP-101NC 100U	B	93/25.3
L500	6200003640	S.COI MLF1608E 100K-T	B	12.6/40
R1	7030005120	S.RES ERJ2GEJ 102 X (1K)	B	7.3/27.8
R2	7030005120	S.RES ERJ2GEJ 102 X (1K)	B	7.2/23.7
R3	7030005120	S.RES ERJ2GEJ 102 X (1K)	B	7.2/22.8
R4	7030005120	S.RES ERJ2GEJ 102 X (1K)	B	7.2/21.9
R5	7030005120	S.RES ERJ2GEJ 102 X (1K)	B	7.3/20.7
R6	7030005120	S.RES ERJ2GEJ 102 X (1K)	B	6.4/19.5
R7	7030005120	S.RES ERJ2GEJ 102 X (1K)	B	6.6/18.6
R8	7030005240	S.RES ERJ2GEJ 473 X (47K)	B	23.7/20.1
R9	7030005530	S.RES ERJ2GEJ 100 X (10)	B	9.6/32.6
R10	7030005160	S.RES ERJ2GEJ 105 X (1M)	B	6.9/32.3
R11	7030008010	S.RES ERJ2GEJ 123 X (12K)	B	8.4/34.8
R12	7030005530	S.RES ERJ2GEJ 100 X (10)	B	25.3/42
R14	7030008010	S.RES ERJ2GEJ 123 X (12K)	B	7.8/32.6
R15	7030005240	S.RES ERJ2GEJ 473 X (47K)	B	8.5/18.1
R16	7030005240	S.RES ERJ2GEJ 473 X (47K)	B	11.6/33.1
R50	7030005120	S.RES ERJ2GEJ 102 X (1K)	B	12.1/35.2
R51	7030005240	S.RES ERJ2GEJ 473 X (47K)	B	11.2/35.8
R52	7030011000	S.RES RR0510P-392-D (3.9K)	B	11.9/37
R53	7030005240	S.RES ERJ2GEJ 473 X (47K)	B	17.7/44
R54	7030005050	S.RES ERJ2GEJ 103 X (10K)	B	18.6/44
R55	7030005240	S.RES ERJ2GEJ 473 X (47K)	B	9.7/18.2
R56	7030005120	S.RES ERJ2GEJ 102 X (1K)	T	18.6/32.1
R57	7030005240	S.RES ERJ2GEJ 473 X (47K)	T	21.7/2.7
R58	7030005050	S.RES ERJ2GEJ 103 X (10K)	T	23.5/2.7
R60	7030010010	S.RES ERJ2RKF 334 X (330K)	T	32.8/2.7
R61	7030007610	S.RES RR0510P-683-D (68K)	T	32.4/3.9
R62	7030004980	S.RES ERJ2GEJ 101 X (100)	B	12.9/46.7
R63	7030004980	S.RES ERJ2GEJ 101 X (100)	B	20.8/51.3
R64	7030005090	S.RES ERJ2GEJ 104 X (100K)	B	7.2/15.2
R65	7030005120	S.RES ERJ2GEJ 102 X (1K)	B	5/15.7
R66	7510001661	S.THR NTCG16 4LH 473JT	B	8.8/8.6
R67	7030005840	S.RES RR0510P-473-D (47K)	B	6.9/6.7
R100	7030005090	S.RES ERJ2GEJ 104 X (100K)	B	28.1/50.3
R101	7030011930	S.RES RP1005S-R56-F (0.56)	B	94.5/14.4
R102	7030011930	S.RES RP1005S-R56-F (0.56)	B	95.1/13.5
R104	7030007250	S.RES ERJ2GEJ 220 X (22)	B	91.4/38.9
R105	7030005050	S.RES ERJ2GEJ 103 X (10K)	B	91.6/21.1
R106	7030007320	S.RES ERJ2GEJ 225 X (2.2M)	B	95/36.7
R107	7030007340	S.RES ERJ2GEJ 153 X (15K)	B	91.1/14.4
R108	7030005110	S.RES ERJ2GEJ 224 X (220K)	B	98.5/37.3
R110	7030005240	S.RES ERJ2GEJ 473 X (47K)	B	80.9/13.4
R111	7030007320	S.RES ERJ2GEJ 225 X (2.2M)	B	93.9/34.9
R112	7030005160	S.RES ERJ2GEJ 105 X (1M)	B	93.7/34
R113	7030005160	S.RES ERJ2GEJ 105 X (1M)	B	91.5/32.6
R114	7030005160	S.RES ERJ2GEJ 105 X (1M)	B	92.1/34
R115	7030008270	S.RES RR0510P-104-D (100K)	B	99/26.2
R116	7030005830	S.RES RR0510P-223-D (22K)	B	98.8/25
R150	7030003210	S.RES ERJ3GEJ 120 V (12)	B	82.9/8.9
R151	7030003210	S.RES ERJ3GEJ 120 V (12)	B	84.1/8.9
R152	7030005280	S.RES ERJ3GEJ 6R8V (6.8)	B	81.7/8.9
R153	7030007860	S.RES ERJ3GEJ 8R2V (8.2)	B	80.5/8.9
R154	7030005120	S.RES ERJ2GEJ 102 X (1K)	B	79.5/8.2
R155	7030005120	S.RES ERJ2GEJ 102 X (1K)	B	83.4/6.9
R156	7030010990	S.RES RR0510P-272-D (2.7K)	B	83.2/5.9
R157	7030011000	S.RES RR0510P-392-D (3.9K)	B	80.5/4.7
R158	7030007280	S.RES ERJ2GEJ 331 X (330)	B	81/3.5
R159	7030010010	S.RES ERJ2RKF 33		

[LOGIC UNIT]

REF NO.	PARTS NO.	DESCRIPTION	M.	H/V LOCATION
R211	7030008370	S.RES ERJ2GEJ 561 X (560)	T	51.7/21.2
R212	7030007280	S.RES ERJ2GEJ 331 X (330)	T	52.6/21.2
R213	7030004980	S.RES ERJ2GEJ 101 X (100)	T	0.69/17
R214	7030004980	S.RES ERJ2GEJ 101 X (100)	T	0.69/37.6
R300	7030005000	S.RES ERJ2GEJ 471 X (470)	B	32.5/48.8
R301	7030005050	S.RES ERJ2GEJ 103 X (10K)	B	33.9/50.3
R302	7030005120	S.RES ERJ2GEJ 102 X (1K)	B	35.1/49.8
R303	7030005110	S.RES ERJ2GEJ 224 X (220K)	B	30.3/51.7
R304	7030007290	S.RES ERJ2GEJ 222 X (2.2K)	B	10.9/39.7
R305	7030005060	S.RES ERJ2GEJ 333 X (33K)	B	38.1/51.9
R306	7030005120	S.RES ERJ2GEJ 102 X (1K)	B	36/48.5
R307	7030005040	S.RES ERJ2GEJ 472 X (4.7K)	B	34.4/47.6
R308	7030008400	S.RES ERJ2GEJ 182 X (1.8K)	B	34.4/46.7
R309	7030008400	S.RES ERJ2GEJ 182 X (1.8K)	B	34.4/45.8
R310	7030004980	S.RES ERJ2GEJ 101 X (100)	T	41.9/42.1
R311	7030007300	S.RES ERJ2GEJ 332 X (3.3K)	B	42.2/42.1
R312	7030005080	S.RES ERJ2GEJ 823 X (82K)	B	39.6/43.7
R314	7030005120	S.RES ERJ2GEJ 102 X (1K)	B	42.6/46
R315	7030010040	S.RES ERJ2GEJ-JPW	B	40.6/42.1
R316	7030005030	S.RES ERJ2GEJ 152 X (1.5K)	B	39/36
R317	7030008410	S.RES ERJ2GEJ 392 X (3.9K)	B	37.8/36.5
R318	7030007340	S.RES ERJ2GEJ 153 X (15K)	B	43/34.1
R319	7030005030	S.RES ERJ2GEJ 152 X (1.5K)	B	43.5/31.3
R320	7030004980	S.RES ERJ2GEJ 101 X (100)	B	42.6/31.3
R321	7030008400	S.RES ERJ2GEJ 182 X (1.8K)	B	23.3/3
R322	7030005040	S.RES ERJ2GEJ 472 X (4.7K)	B	20.3/5.4
R323	7030010040	S.RES ERJ2GEJ-JPW	B	40.6/31.6
R325	7030005240	S.RES ERJ2GEJ 473 X (47K)	B	48.5/21.6
R326	7030005090	S.RES ERJ2GEJ 104 X (100K)	B	38.2/31.6
R327	7030005160	S.RES ERJ2GEJ 105 X (1M)	B	40.3/34.4
R328	7030007340	S.RES ERJ2GEJ 153 X (15K)	B	43.7/37
R329	7030005100	S.RES ERJ2GEJ 154 X (150K)	B	50.4/29.9
R330	7030005000	S.RES ERJ2GEJ 471 X (470)	B	50.9/27.8
R331	7030009140	S.RES ERJ2GEJ 272 X (2.7K)	B	50/27.8
R333	7030005080	S.RES ERJ2GEJ 823 X (82K)	B	48.7/33.7
R334	7030005070	S.RES ERJ2GEJ 683 X (68K)	B	47.8/35.3
R335	7030007350	S.RES ERJ2GEJ 393 X (39K)	B	48.7/35.3
R336	7030005080	S.RES ERJ2GEJ 823 X (82K)	B	47.3/34.1
R337	7030007350	S.RES ERJ2GEJ 393 X (39K)	B	44.5/35.4
R338	7030005050	S.RES ERJ2GEJ 103 X (10K)	B	44.9/33
R339	7030007350	S.RES ERJ2GEJ 393 X (39K)	B	46.1/32.6
R340	7030008410	S.RES ERJ2GEJ 392 X (3.9K)	B	45.2/31
R341	7030007290	S.RES ERJ2GEJ 222 X (2.2K)	B	50.2/39.3
R342	7030007290	S.RES ERJ2GEJ 222 X (2.2K)	B	50.2/40.2
R343	7030005030	S.RES ERJ2GEJ 152 X (1.5K)	B	51.8/41.1
R344	7030008300	S.RES ERJ2GEJ 184 X (180K)	B	53.7/39.3
R345	7030005090	S.RES ERJ2GEJ 104 X (100K)	B	53.7/38.4
R346	7030005090	S.RES ERJ2GEJ 104 X (100K)	B	55.4/34.3
R347	7030005090	S.RES ERJ2GEJ 104 X (100K)	B	52.1/42.8
R348	7030005110	S.RES ERJ2GEJ 224 X (220K)	B	55.4/33.4
R349	7030007340	S.RES ERJ2GEJ 153 X (15K)	B	55.9/31.1
R350	7030007340	S.RES ERJ2GEJ 153 X (15K)	B	55.4/32.5
R351	7030004980	S.RES ERJ2GEJ 101 X (100)	B	52.4/27.1
R352	7030005120	S.RES ERJ2GEJ 102 X (1K)	T	29.7/51.1
R400	7030000190	S.RES MCR10EZHJ 27 (270)	B	52.4/9.5
R401	7030000190	S.RES MCR10EZHJ 27 (270)	B	52.4/11.3
R402	7030000190	S.RES MCR10EZHJ 27 (270)	B	52.4/13
R403	7030005160	S.RES ERJ2GEJ 105 X (1M)	B	52.6/14.4
R404	7030005070	S.RES ERJ2GEJ 683 X (68K)	B	54.2/14.4
R405	7030005120	S.RES ERJ2GEJ 102 X (1K)	B	56.3/11.3
R406	7030009710	S.RES ERJ2GEJ 203 X (20K)	B	74.1/4.9
R407	7030005220	S.RES ERJ2GEJ 223 X (22K)	B	74.1/6.5
R408	7030009280	S.RES ERJ2GEJ 391 X	B	24.5/3.3
R409	7030005050	S.RES ERJ2GEJ 103 X (10K)	B	24.9/2.1
R410	7030005060	S.RES ERJ2GEJ 333 X (33K)	B	27.2/3.3
R411	7030005210	S.RES ERJ2GEJ 822 X (8.2K)	B	28.1/3.3
R412	7030007260	S.RES ERJ2GEJ 330 X (33)	B	28/5
R413	7030005530	S.RES ERJ2GEJ 100 X (10)	B	38.2/7.8
R414	7030005170	S.RES ERJ2GEJ 474 X (470K)	B	59/20.4
R415	7030005170	S.RES ERJ2GEJ 474 X (470K)	B	58.2/16.6
R416	7030005090	S.RES ERJ2GEJ 104 X (100K)	B	57.8/20
R417	7030007300	S.RES ERJ2GEJ 332 X (3.3K)	B	25.4/3.3
R418	7030005050	S.RES ERJ2GEJ 103 X (10K)	B	17.6/1.2
R419	7030005060	S.RES ERJ2GEJ 333 X (33K)	B	18.1/2.4
R501	7030005120	S.RES ERJ2GEJ 102 X (1K)	B	71.5/18.1
R502	7030005090	S.RES ERJ2GEJ 104 X (100K)	B	70.6/18.1
R503	7030004990	S.RES ERJ2GEJ 221 X (220)	B	69.1/15.3
R504	7030004980	S.RES ERJ2GEJ 101 X (100)	B	72/21.2
R505	7030010040	S.RES ERJ2GEJ-JPW	B	68.6/26.3
R506	7030005240	S.RES ERJ2GEJ 473 X (47K)	T	52.9/51
R507	7030005240	S.RES ERJ2GEJ 473 X (47K)	T	53.8/51
R508	7030005240	S.RES ERJ2GEJ 473 X (47K)	T	54.7/50.3
R509	7030005240	S.RES ERJ2GEJ 473 X (47K)	T	55.6/50.3
R510	7030005240	S.RES ERJ2GEJ 473 X (47K)	T	56.5/51
R511	7030005090	S.RES ERJ2GEJ 104 X (100K)	B	55.4/44.7
R512	7030005090	S.RES ERJ2GEJ 104 X (100K)	B	57.4/44.7
R513	7030006610	S.RES ERJ2GEJ 394 X (390K)	B	44.6/44.5
R514	7030005240	S.RES ERJ2GEJ 473 X (47K)	B	45.3/40.4
R515	7030005220	S.RES ERJ2GEJ 223 X (22K)	B	49.7/42.8
R516	7030005050	S.RES ERJ2GEJ 103 X (10K)	T	66.6/39.6
R517	7030005050	S.RES ERJ2GEJ 103 X (10K)	T	66.6/40.5
R518	7030005530	S.RES ERJ2GEJ 100 X (10)	T	66.6/44.1
R519	7030005240	S.RES ERJ2GEJ 473 X (47K)	B	70.9/41.3
R520	7030005090	S.RES ERJ2GEJ 104 X (100K)	B	56.4/45.9
R521	7030005170	S.RES ERJ2GEJ 474 X (470K)	B	60.4/43.2
R522	7030005240	S.RES ERJ2GEJ 473 X (47K)	B	58.8/43.2
R523	7030005240	S.RES ERJ2GEJ 473 X (47K)	T	64.1/46.3
R524	7030005090	S.RES ERJ2GEJ 104 X (100K)	T	65/46.3

[LOGIC UNIT]

REF NO.	PARTS NO.	DESCRIPTION	M.	H/V LOCATION
R525	7030004980	S.RES ERJ2GEJ 101 X (100)	B	75.2/50.9
R526	7030005240	S.RES ERJ2GEJ 473 X (47K)	T	66.2/45.9
R527	7030005010	S.RES ERJ2GEJ 681 X (680)	B	70.3/45.9
R528	7030005120	S.RES ERJ2GEJ 102 X (1K)	B	72.7/50.8
R530	7030004980	S.RES ERJ2GEJ 101 X (100)	B	81.6/17.5
R531	7030005120	S.RES ERJ2GEJ 102 X (1K)	B	82.9/18.5
R532	7030005090	S.RES ERJ2GEJ 104 X (100K)	B	82.9/19.5
R533	7030004990	S.RES ERJ2GEJ 221 X (220)	B	80.9/21.5
R534	7030007280	S.RES ERJ2GEJ 331 X (330)	B	85.2/23.4
R535	7030005120	S.RES ERJ2GEJ 102 X (1K)	B	85.7/20.9
R536	7030005240	S.RES ERJ2GEJ 473 X (47K)	B	79.3/43.8
R537	7030005040	S.RES ERJ2GEJ 472 X (4.7K)	B	63.5/28.6
R538	7030000180	S.RES MCR10EZHJ 22 (220)	B	63/17.3
R539	7030005240	S.RES ERJ2GEJ 473 X (47K)	B	61.6/18.5
R601	7030004980	S.RES ERJ2GEJ 101 X (100)	B	12.7/16.3
R602	7030008370	S.RES ERJ2GEJ 561 X (560)	B	13.6/16.3
R603	7030005120	S.RES ERJ2GEJ 102 X (1K)	B	15.3/15.9
R604	7030005120	S.RES ERJ2GEJ 102 X (1K)	B	17.2/15.9
R605	7030005120	S.RES ERJ2GEJ 102 X (1K)	B	19.1/16.6
R606	7030005090	S.RES ERJ2GEJ 104 X (100K)	B	12/17.9
R608	7030010040	S.RES ERJ2GEJ-JPW	B	63.7/34.2
R610	7030005000	S.RES ERJ2GEJ 471 X (470)	B	15.4/43.2
R611	7030005090	S.RES ERJ2GEJ 104 X (100K)	B	17/37.2
R612	7030005000	S.RES ERJ2GEJ 471 X (470)	B	39.8/27
R614	7030005050	S.RES ERJ2GEJ 103 X (10K)	B	44.1/26.5
C1	4030016930	S.CER ECJ0EB1A104K	B	38.2/28.5
C2	4030016930	S.CER ECJ0EB1A104K	B	6.8/34.7
C3	4030016930	S.CER ECJ0EB1A104K	B	9.6/30
C4	4030016930	S.CER ECJ0EB1A104K	B	8.7/29.1
C5	4030017460	S.CER ECJ0EB1E102K	B	7.2/26.9
C6	4030017460	S.CER ECJ0EB1E102K	B	7.2/24.6
C7	4030017460	S.CER ECJ0EB1E102K	B	5.6/22.2
C8	4030017460	S.CER ECJ0EB1E102K	B	5/21.2
C9	4030017460	S.CER ECJ0EB1E102K	B	4.2/19.8
C10	4030017460	S.CER ECJ0EB1E102K	B	4.2/18.9
C12	4030016930	S.CER ECJ0EB1A104K	B	22.5/19.7
C13	4030017640	S.CER ECJ0EC1H150J	B	11/31
C14	4030017630	S.CER ECJ0EC1H120J	B	8.7/32.6
C15	4030017400	S.CER ECJ0EC1H220J	B	7.4/33.8
C16	4030016930	S.CER ECJ0EB1A104K	B	10.5/32.6
C17	4030016930	S.CER ECJ0EB1A104K	B	25.2/30.3
C32	4550007720	S.TAN TEESVP OG 476M8R	B	7.3/29.8
C50	4030017460	S.CER ECJ0EB1E102K	B	10/36
C51	4030017400	S.CER ECJ0EC1H220J	B	10/35.1
C52	4030017460	S.CER ECJ0EB1E102K	B	25.3/42.9
C53	4030017460	S.CER ECJ0EB1E102K	B	10.1/19.1
C54	4030017460	S.CER ECJ0EB1E102K	T	17.7/3.2
C55	4030017460	S.CER ECJ0EB1E102K	T	22.6/2.7
C56	4030017460	S.CER ECJ0EB1E102K	T	31/3.2
C57	4030016930	S.CER ECJ0EB1A104K	B	23.5/46.8
C58	4030017620	S.CER ECJ0EC1H100C	B	11.3/46.7
C60	4030011810	S.CER C1608 JB 1A 224K-T	B	18/51.9
C61	4030011810	S.CER C1608 JB 1A 224K-T	B	14.9/45.4
C62	4030011810	S.CER C1608 JB 1A 224K-T	B	14.8/48
C63	4030011810	S.CER C1608 JB 1A 224K-T	B	15.4/51.8
C64	4030017620	S.CER ECJ0EC1H100C	B	13.6/45.5
C66	4030017460	S.CER ECJ0EB1E102K	B	5.6/16.7
C67	4030017460	S.CER ECJ0EB1E102K	B	8.7/12.9
C68	4030017460	S.CER ECJ0EB1E102K	B	8.6/16.1
C69	4030017460	S.CER ECJ0EB1E102K	B	5/16.6
C70	4030017460	S.CER ECJ0EB1E102K	B	8.7/14.5
C71	4030017460	S.CER ECJ0EB1E102K	B	45.4/19.7
C100	4030011600	S.CER C1608 JB 1E 104K-T	B	28.2/44
C101	4030011600	S.CER C1608 JB 1E 104K-T	B	25.4/51.2
C102	4030016930	S.CER ECJ0EB1A104K	B	16/50.1
C103	4550007730	S.TAN TEESVP OJ 106M8R	B	25.6/44
C104	4550007680	S.TAN TEESVP OJ 226M8R	B	92.8/36.6
C105	4550007680	S.TAN TEESVP OJ 226M8R	B	94.6/38.5
C106	4550007680	S.TAN TEESVP OJ 226M8R	B	97.1/46.7
C107	4550007680	S.TAN TEESVP OJ 226M8R	B	97.7/44.3
C108	4030017330	S.CER ECJ0EF1C104Z	B	93.3/14
C109	4510007980	S.ELE 16SVP22M-AIC	B	47.8/5.8
C110	4030017440	S.CER ECJ0EC1H221J	B	92.5/21.1
C111	4550007880	S.TAN TEESVB2 1A 686M8R	B	97.9/21.6
C112	4030018560	S.CER C2012 JB 1A 475K-T	B	98/27.8
C113	4030018860	S.CER ECJ0EB0J105K	B	86.4/14.1
C114	4030017460	S.CER ECJ0EB1E102K	B	84.8/16.2
C115	4030017460	S.CER ECJ0EB1E102K	B	81.8/13.4
C116	4030017490	S.CER C1608 JB 1A 105K-T	B	84.5/11.8
C117	4030017460	S.CER ECJ0EB1E102K	B	86.2/11.9
C118	4030016930	S.CER ECJ0EB1A104K	B	92.3/14
C119	4030017400	S.CER ECJ0EC1H220J	B	93.9/21.6
C120	4030017700	S.CER ECJ0EC1H151J	B	98.1/26.2
C121	4030016790	S.CER ECJ0EB1C103K	B	92/29.8
C123	4030017460	S.CER ECJ0EB1E102K	B	95.5/21.6
C124	4030016930	S.CER ECJ0EB1A104K	B	94.1/29
C150	4030017460	S.CER ECJ0EB1E102K	B	80.

[LOGIC UNIT]

REF NO.	PARTS NO.	DESCRIPTION	M.	H/V LOCATION
C206	4550007700	S.TAN TEESVP 1C 225M8R	B	36.1/23.4
C207	4550007700	S.TAN TEESVP 1C 225M8R	B	36/25.1
C208	4550007700	S.TAN TEESVP 1C 225M8R	B	35.7/27.1
C210	4030017430	S.CER ECJ0EB1H101J	T	34.2/26.3
C214	4030017460	S.CER ECJ0EB1E102K	T	35.6/12.4
C215	4030017460	S.CER ECJ0EB1E102K	T	37.9/14.2
C216	4030017460	S.CER ECJ0EB1E102K	T	49.2/24
C217	4030017460	S.CER ECJ0EB1E102K	T	52.1/24
C218	4030017460	S.CER ECJ0EB1E102K	T	47.7/21.2
C219	4030017460	S.CER ECJ0EB1E102K	B	1.1/18.7
C300	4030018860	S.CER ECJ0EB0J105K	B	33/50.3
C301	4030017460	S.CER ECJ0EB1E102K	B	30.9/48.8
C302	4030017460	S.CER ECJ0EB1E102K	B	35.1/50.7
C303	4030016950	S.CER ECJ0EB1A473K	B	31.9/51.7
C304	4030017460	S.CER ECJ0EB1E102K	T	39.7/40.3
C305	4030016790	S.CER ECJ0EB1C103K	T	42.8/42.1
C306	4030018860	S.CER ECJ0EB0J105K	B	36/47.6
C307	4030017460	S.CER ECJ0EB1E102K	B	36.4/49.7
C308	4550007730	S.TAN TEESVJ OJ 106M8R	B	42.6/43.9
C309	4030016930	S.CER ECJ0EB1A104K	B	36/46.7
C310	4550007730	S.TAN TEESVJ OJ 106M8R	B	41.5/46.3
C311	4030016930	S.CER ECJ0EB1A104K	B	39.2/38
C312	4030016930	S.CER ECJ0EB1A104K	B	40.6/36
C313	4030018860	S.CER ECJ0EB0J105K	B	43.5/32.9
C314	4030016930	S.CER ECJ0EB1A104K	B	21.7/3
C315	4030017770	S.CER ECJ0EB1E332K	B	21.7/3.9
C316	4030016790	S.CER ECJ0EB1C103K	B	21.2/5.4
C317	4030016930	S.CER ECJ0EB1A104K	B	36.6/36
C318	4030017460	S.CER ECJ0EB1E102K	B	48.5/22.5
C319	4030016930	S.CER ECJ0EB1A104K	B	36.6/31.6
C320	4030016790	S.CER ECJ0EB1C103K	B	39.4/34.4
C321	4550007730	S.TAN TEESVJ OJ 106M8R	B	41.4/34.1
C322	4030017460	S.CER ECJ0EB1E102K	B	52/21.6
C323	4030017460	S.CER ECJ0EB1E102K	B	51.5/20.2
C324	4030017460	S.CER ECJ0EB1E102K	B	52.4/23.3
C325	4030016950	S.CER ECJ0EB1A473K	B	42.3/35.9
C326	4030018390	S.CER ECJ0EB1A563K	B	43.6/35.4
C327	4030017920	S.CER ECJ0EB1A683K	B	50.9/26.2
C328	4030018860	S.CER ECJ0EB0J105K	B	50/26.2
C329	4030017710	S.CER ECJ0EC1H181J	B	50.4/29
C330	4030017460	S.CER ECJ0EB1E102K	B	55/31.1
C331	4550007690	S.TAN TEESVP 1C 105M8R	B	55.6/36.4
C332	4030016790	S.CER ECJ0EB1C103K	B	52.4/29.9
C333	4550007680	S.TAN TEESVP OJ 226M8R	B	52.9/28.5
C334	4030018110	S.CER ECJ0EB1H272K	B	46.9/35.3
C335	4030018140	S.CER ECJ0EB1H391K	B	50.2/38.4
C336	4550007730	S.TAN TEESVJ OJ 106M8R	B	45.2/34.1
C337	4030017920	S.CER ECJ0EB1A683K	B	47.3/33
C338	4030017040	S.CER ECJ0EB1A333K	B	46.1/31
C339	4030017460	S.CER ECJ0EB1E102K	B	47.8/29.9
C340	4030017040	S.CER ECJ0EB1A333K	B	17.2/2.4
C341	4030016960	S.CER ECJ0EB1C183K	B	50.2/41.1
C342	4030017460	S.CER ECJ0EB1E102K	B	19.3/5.8
C343	4030018860	S.CER ECJ0EB0J105K	B	54.9/38.9
C344	4030017460	S.CER ECJ0EB1E102K	B	14.7/6.4
C347	4030017460	S.CER ECJ0EB1E102K	B	39.9/33.2
C400	4030017460	S.CER ECJ0EB1E102K	B	52.2/6.8
C401	4030017460	S.CER ECJ0EB1E102K	B	51.4/14.7
C403	4030017460	S.CER ECJ0EB1E102K	B	53.5/15.8
C404	4030017460	S.CER ECJ0EB1E102K	B	54.5/11.3
C405	4030018860	S.CER ECJ0EB0J105K	B	55.4/11.3
C408	4030017460	S.CER ECJ0EB1E102K	B	58/14
C409	4030016930	S.CER ECJ0EB1A104K	B	23.3/2.1
C410	4030016780	S.CER ECJ0EB1C153K	B	26.7/2.1
C411	4030016930	S.CER ECJ0EB1A104K	B	26.3/3.3
C412	4550002960	S.TAN TEESVA 1C 155M8R	B	25.1/5.2
C413	4030016930	S.CER ECJ0EB1A104K	B	36.9/2.1
C414	4510008500	S.ELE EEE1CA101WP	B	47.2/12.7
C415	4030016950	S.CER ECJ0EB1A473K	B	37/8.2
C416	4510009020	S.ELE EEE0JA331P	B	39.2/13.4
C417	4030017460	S.CER ECJ0EB1E102K	B	38.7/18.9
C418	4030017460	S.CER ECJ0EB1E102K	B	56.6/33.4
C419	4030017460	S.CER ECJ0EB1E102K	B	57/16
C420	4510008040	S.ELE EEFCD 0K 330R	B	56/6.2
C421	4030018520	S.CER C1608 JB OJ 225M-T	B	54.7/16.2
C500	4030016930	S.CER ECJ0EB1A104K	B	77.6/16.3
C501	4030017460	S.CER ECJ0EB1E102K	B	72.3/16.2
C503	4030017460	S.CER ECJ0EB1E102K	B	70.6/16.5
C504	4030016930	S.CER ECJ0EB1A104K	B	69.1/16.2
C505	4030016930	S.CER ECJ0EB1A104K	B	72.4/18.1
C506	4030017460	S.CER ECJ0EB1E102K	B	70.1/24.6
C507	4030017400	S.CER ECJ0EC1H220J	B	56.3/44.7
C508	4030018860	S.CER ECJ0EB0J105K	B	56.4/46.8
C509	4030017460	S.CER ECJ0EB1E102K	T	49.3/50.4
C510	4030016930	S.CER ECJ0EB1A104K	T	47.7/50.6
C511	4030016930	S.CER ECJ0EB1A104K	B	45.1/51.1
C512	4030017030	S.CER ECJ0EB1A273K	B	45.5/44.5
C513	4030017030	S.CER ECJ0EB1A273K	B	44.6/46.1
C514	4030017460	S.CER ECJ0EB1E102K	B	45.8/37.3
C515	4030016930	S.CER ECJ0EB1A104K	B	43.6/41.8
C516	4030017760	S.CER ECJ0EB1H222K	B	50.9/42.3
C517	4030016930	S.CER ECJ0EB1A104K	B	70/41
C518	4030016930	S.CER ECJ0EB1A104K	B	81/43.4
C519	4550006930	S.TAN TEESVP OJ 225M8R	B	81.1/42
C520	4030017420	S.CER ECJ0EC1H470J	B	72.8/40.6
C521	4550007730	S.TAN TEESVJ OJ 106M8R	B	68.6/43
C522	4030016930	S.CER ECJ0EB1A104K	B	76.6/50.9
C523	4030016930	S.CER ECJ0EB1A104K	B	77.5/50.9

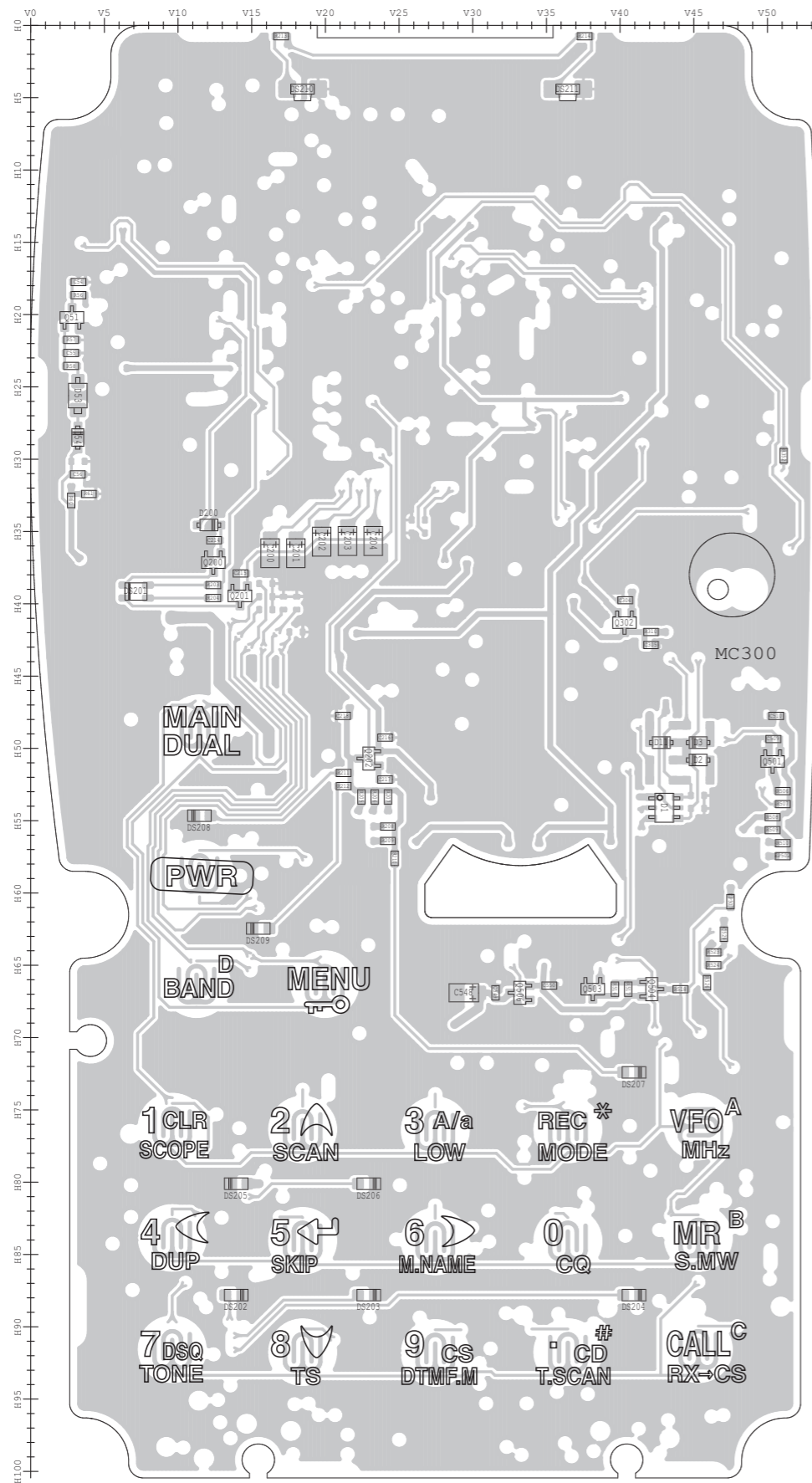
[LOGIC UNIT]

REF NO.	PARTS NO.	DESCRIPTION	M.	H/V LOCATION
C524	4030016970	S.CER ECJ0EB1C223K	B	71.5/50.9
C525	4030016950	S.CER ECJ0EB1A473K	B	74.3/50.9
C526	4030016930	S.CER ECJ0EB1A104K	B	69.6/43.4
C527	4030016930	S.CER ECJ0EB1A104K	B	58.3/47.4
C528	4030018860	S.CER ECJ0EB0J105K	B	57.2/43.5
C529	4030016930	S.CER ECJ0EB1A104K	T	62.8/47
C530	4030016930	S.CER ECJ0EB1A104K	B	75.3/18.8
C531	4030016930	S.CER ECJ0EB1A104K	B	81.2/18.7
C532	4030017460	S.CER ECJ0EB1E102K	B	79.2/19.7
C534	4030017460	S.CER ECJ0EB1E102K	B	80.9/19.7
C535	4030016930	S.CER ECJ0EB1A104K	B	80.9/20.6
C536	4030016930	S.CER ECJ0EB1A104K	B	85.7/17.4
C537	4030016930	S.CER ECJ0EB1A104K	B	83.7/22.4
C538	4030016930	S.CER ECJ0EB1A104K	B	80.6/22.4
C539	4030016930	S.CER ECJ0EB1A104K	B	79/22.4
C540	4030016930	S.CER ECJ0EB1A104K	B	69.1/30.7
C541	4030016930	S.CER ECJ0EB1A104K	B	69.1/38.1
C542	4030016930	S.CER ECJ0EB1A104K	B	81.4/40.6
C543	4030016930	S.CER ECJ0EB1A104K	B	79.3/40.5
C544	4030016930	S.CER ECJ0EB1A104K	B	77.2/40.5
C545	4030016930	S.CER ECJ0EB1A104K	B	86.4/39.5
C546	4030017420	S.CER ECJ0EC1H470J	B	85.5/39.5
C547	4030017460	S.CER ECJ0EB1E102K	B	64.7/28.8
C548	4550006930	S.TAN TEESVP OJ 225M8R	T	66.9/29.4
C549	4030017460	S.CER ECJ0EB1E102K	T	66.9/31.5
C550	4030017460	S.CER ECJ0EB1E102K	T	66.4/35.2
C551	4030012610	S.CER C2012 JB 1C 474K-T	B	64.8/11.1
C552	4030018860	S.CER ECJ0EB0J105K	B	62.7/14.9
C553	4030018860	S.CER ECJ0EB0J105K	B	63.6/14.9
C554	4550007680	S.TAN TEESVP OJ 226M8R	B	64.8/17.3
C555	4550006250	S.TAN TEESVA 1A 106M8R	B	64.7/25.8
C556	4030016930	S.CER ECJ0EB1A104K	B	63.1/24.9
C557	4030017460	S.CER ECJ0EB1E102K	B	21.7/15.9
C600	4030017420	S.CER ECJ0EC1H470J	B	14.1/42.6
C602	4030017460	S.CER ECJ0EB1E102K	B	36.5/52.2
C603	4030017460	S.CER ECJ0EB1E102K	B	39.8/52.5
C604	4030017460	S.CER ECJ0EB1E102K	B	40.7/29.7
C605	4030017460	S.CER ECJ0EB1E102K	B	40.9/26.9
J1	6510025370	S.CON AXK816145YG	B	84.2/47.3
J200	6510025170	S.CON IMSA-9631S-27Y-921	B	30.6/27.4
J600	6510024131	S.CON IMSA-9637S-40Y905	B	22/11.4
J601	6510026410	S.CON SM10B-SRSS-TB(LF)(SN)	B	6.8/41.6
DS1	5030003080	LCD KMC9864-A00-SPI <VKH>		
DS201	5040002670	S.LED CL-165HR/Y	T	39.1/7.1
DS202	5040003280	S.LED RY-SP192UYG24-5M <VKH>	T	87.8/13.9
DS203	5040003280	S.LED RY-SP192UYG24-5M <VKH>	T	87.8/22.9
DS204	5040003280	S.LED RY-SP192UYG24-5M <VKH>	T	87.8/40.9
DS205	5040003280	S.LED RY-SP192UYG24-5M <VKH>	T	80.1/13.9
DS206	5040003280	S.LED RY-SP192UYG24-5M <VKH>	T	80.1/22.9
DS207	5040003280	S.LED RY-SP192UYG24-5M <VKH>	T	72.4/40.9
DS208	5040003280	S.LED RY-SP192UYG24-5M <VKH>	T	54.6/11.4
DS209	5040003280	S.LED RY-SP192UYG24-5M <VKH>	T	62.4/15.4
DS210	5040002961	S.LED SML-A12MT T86J	T	4.4/18.4
DS211	5040002961	S.LED SML-A12MT T86J	T	4.4/36.4
MC300	7700002850	MIC EM6022P-65B-G <HOR>		
SP1	2510001420	SPE PSC-2849PA <PRI>		
W1	7120000470	JUM ERDS2T0		
W2	8900007682	CAB OPC-741A-1(P0.5,N40,L55)		
EP50	6910018460	S.BEA MMZ1005Y102C-T	B	23.5/45.2
EP51	6910018460	S.BEA MMZ1005Y102C-T	B	12.7/45.5
EP52	6910018460	S.BEA MMZ1005Y102C-T	B	11.3/45.8
EP53	6910018460	S.BEA MMZ1005Y102C-T	B	13.1/44.3
EP100	6910018460	S.BEA MMZ1005Y102C-T	B	98.5/46.9
EP101	6910018460	S.BEA MMZ1005Y102C-T	B	92.6/38.5
EP102	6910018460	S.BEA MMZ1005Y102C-T	B	96.7/26.2
EP500	6910018460	S.BEA MMZ1005Y102C-T	B	78.5/16.3
EP501	6910018460	S.BEA MMZ1005Y102C-T	B	72.9/21.2
EP502	6910018460	S.BEA MMZ1005Y102C-T	T	57.4/51
EP503	6910018460	S.BEA MMZ1005Y102C-T	B	43.6/40.2
EP504	6910018460	S.BEA MMZ1005Y102C-T	B	70.4/39.8
EP505	6910018460	S.BEA MMZ1005Y102C-T	B	74.4/40.6
EP506	6910018460	S.BEA MMZ1005Y102C-T	B	70/44.6
EP507	6910018460	S.BEA MMZ1005Y102C-T	T	60.6/47.5
EP508	6910018460	S.BEA MMZ1005Y102C-T	B	73.4/19.5
EP509	6910018460	S.BEA MMZ1005Y102C-T	B	64.6/22.9
EP511	6910018460	S.BEA MMZ1005Y102C-T	B	10.9/38.1
EP512	6910018460	S.BEA MMZ1005Y102C-T	B	11.8/38.2
EP514	6910018460	S.BEA MMZ1005Y102C-T	B	11.6/41.5
EP515	6910018460	S.BEA MMZ1005Y102C-T	B	12.9/42.3
EP516	6910018460	S.BEA MMZ1005Y102C-T	B	11.4/43.1
EP517	6910018460	S.BEA MMZ1005Y102C-T	B	16.3/43.2
MP24	8510017840	S.PLA OG-321610G	B	88.2/18.4
MP500	8510017840	S.PLA OG-321610G	B	88.1/48
MP501	8510017840	S.PLA OG-321610G	B	66.7/34.5
MP510	8510017840	S.PLA OG-321610G	B	66.7/14.6

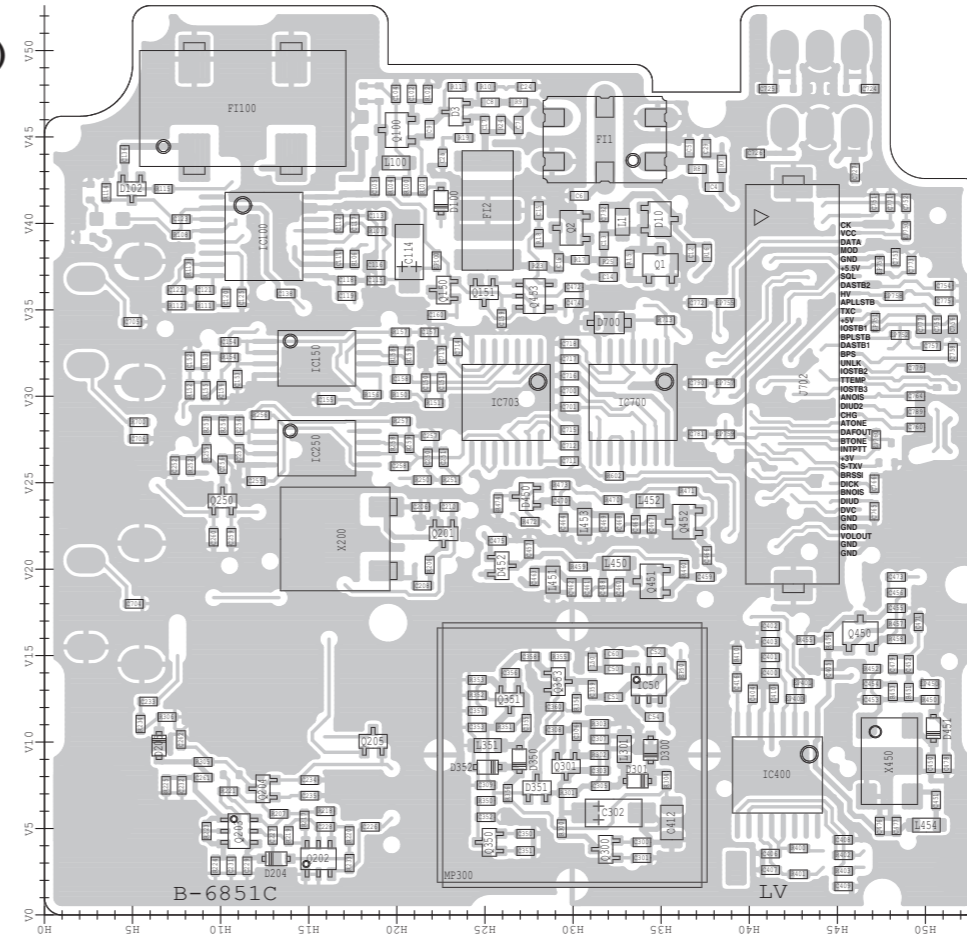
M.=Mounted side (T: Mounted on the Top side, B: Mounted on the Bottom side) S.=Surface mount

BOARD LAYOUTS

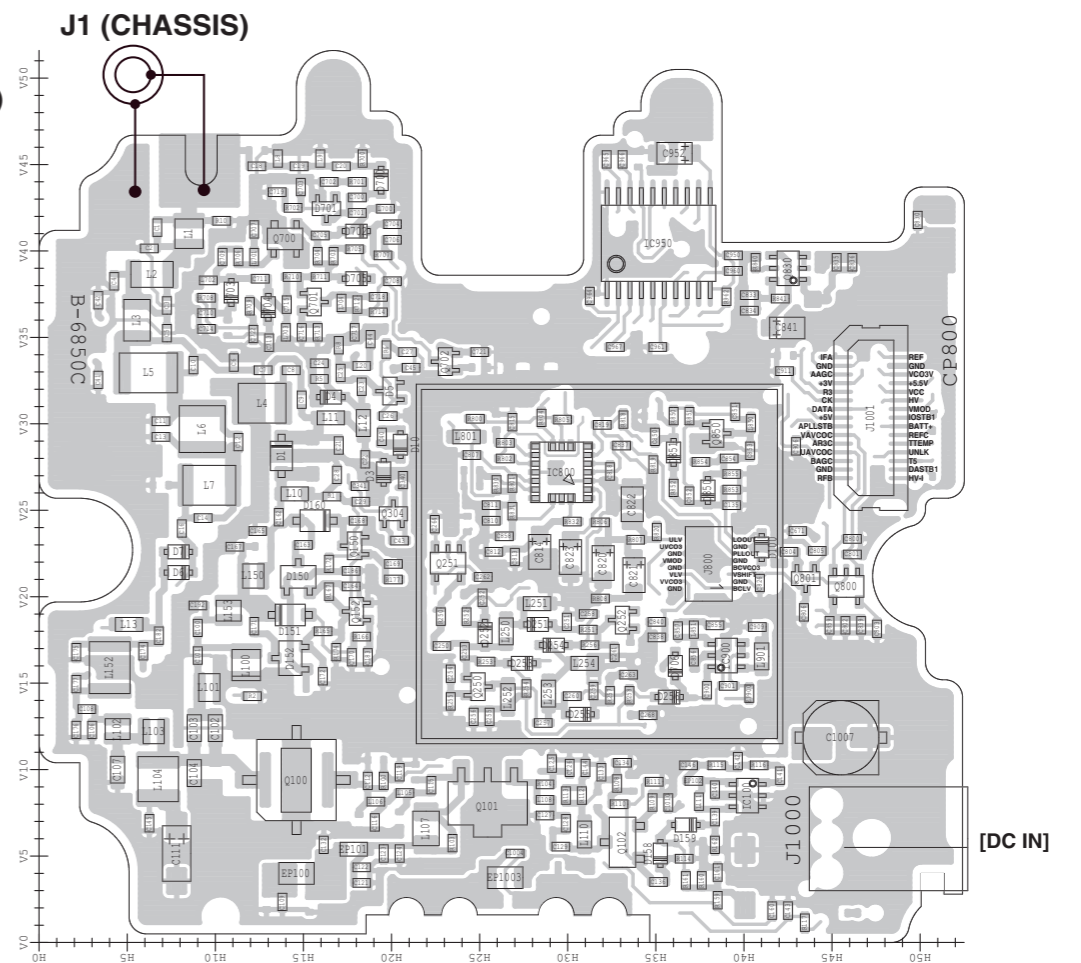
• LOGIC UNIT (TOP VIEW)



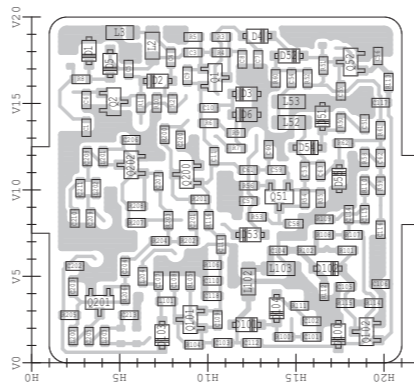
• MAIN UNIT (TOP VIEW)

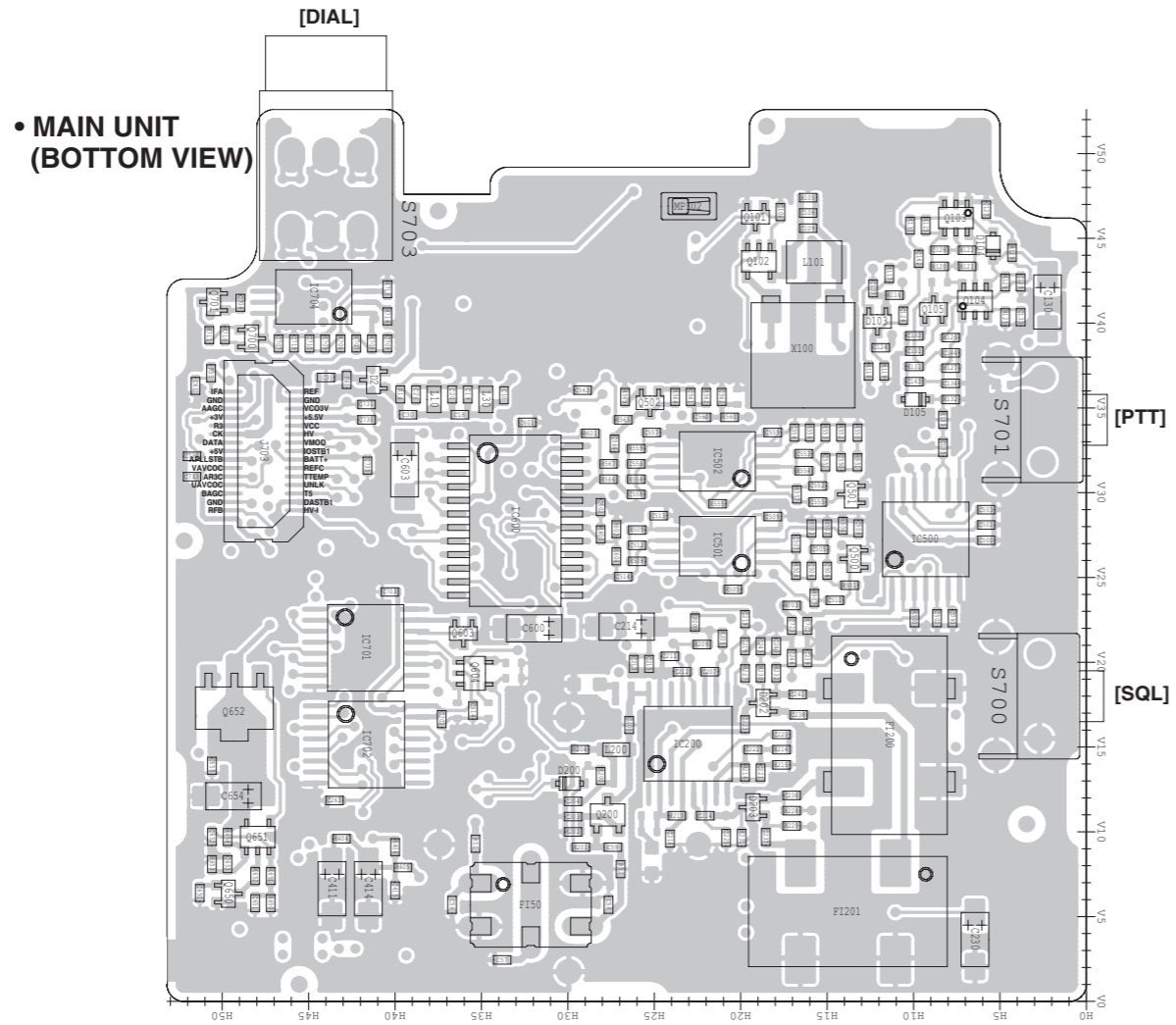


• RF UNIT (TOP VIEW)

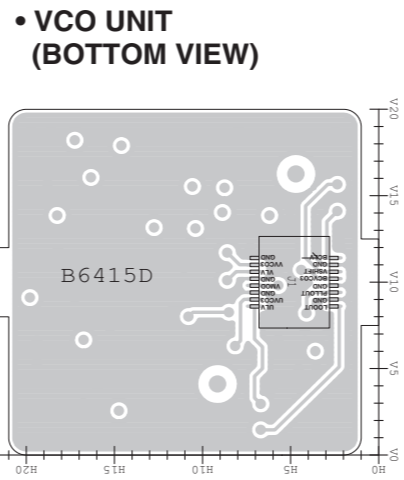
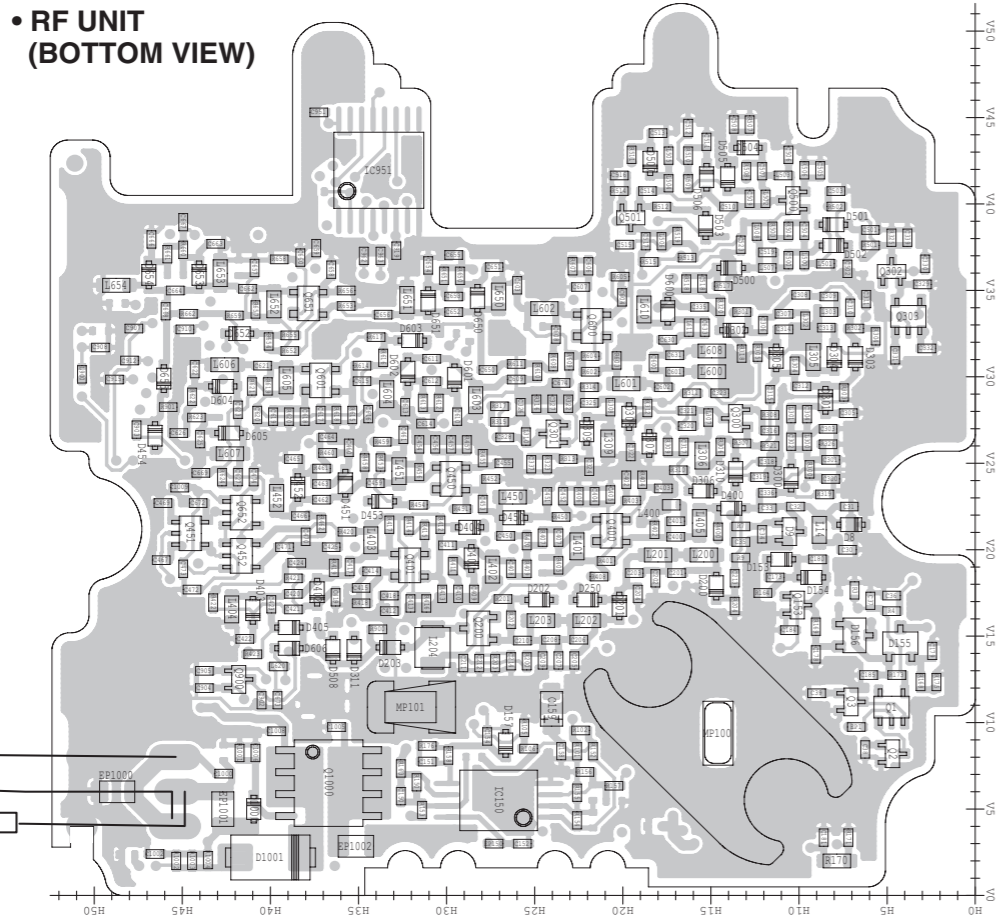
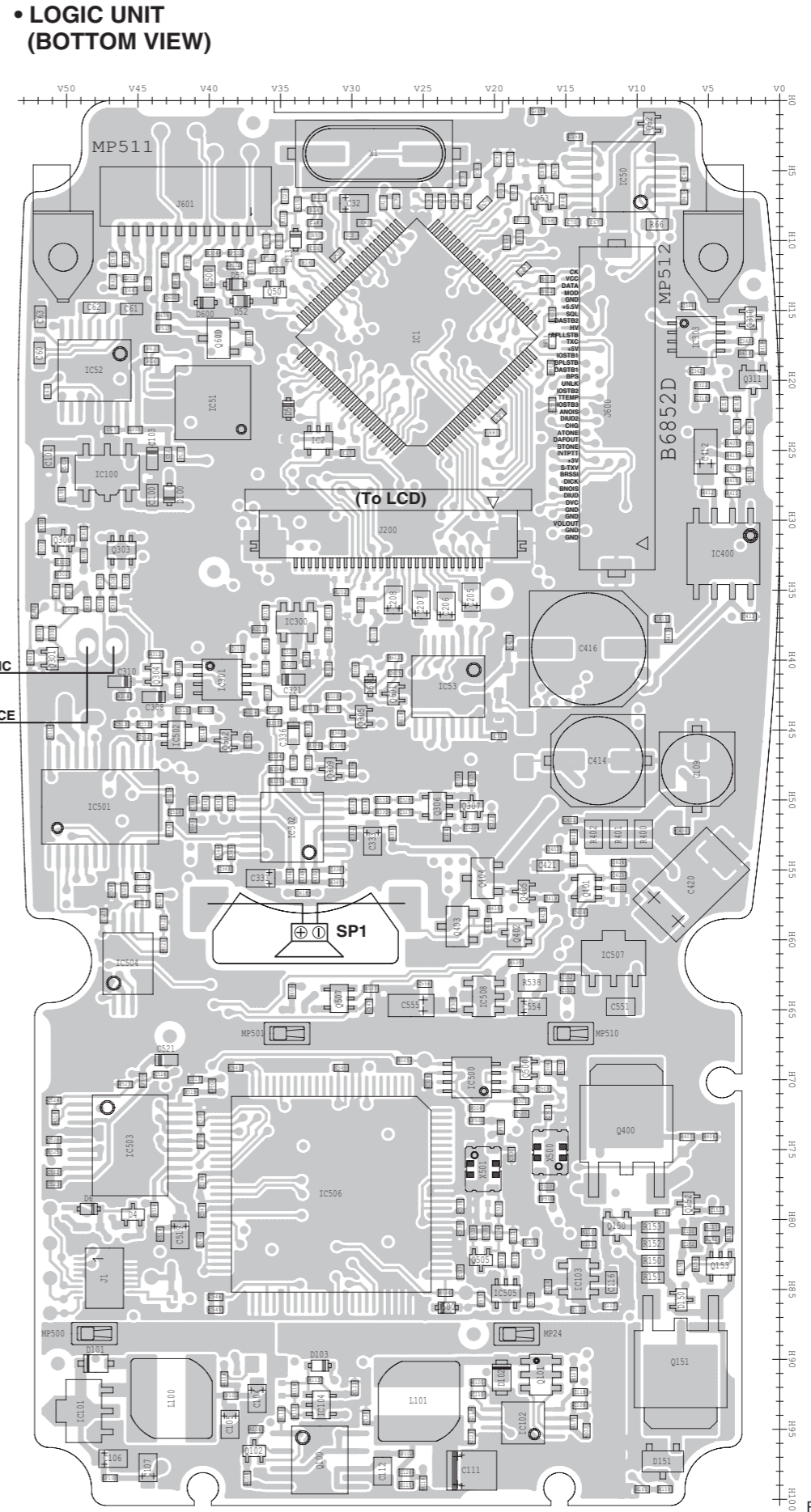


• VCO UNIT (TOP VIEW)



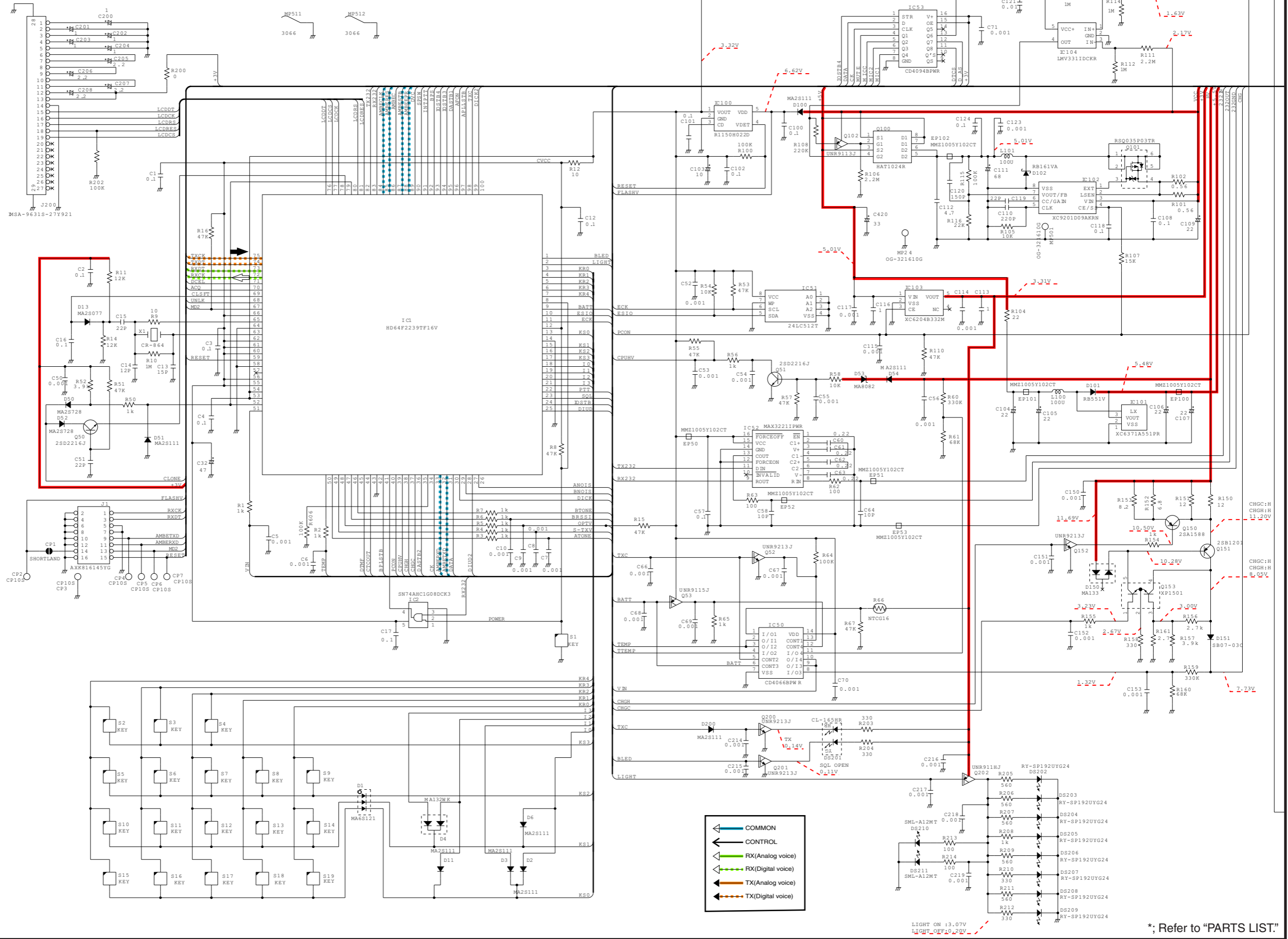


The combination of this side and the bottom side shows the board layout in the same configuration as the actual P.C.Board.



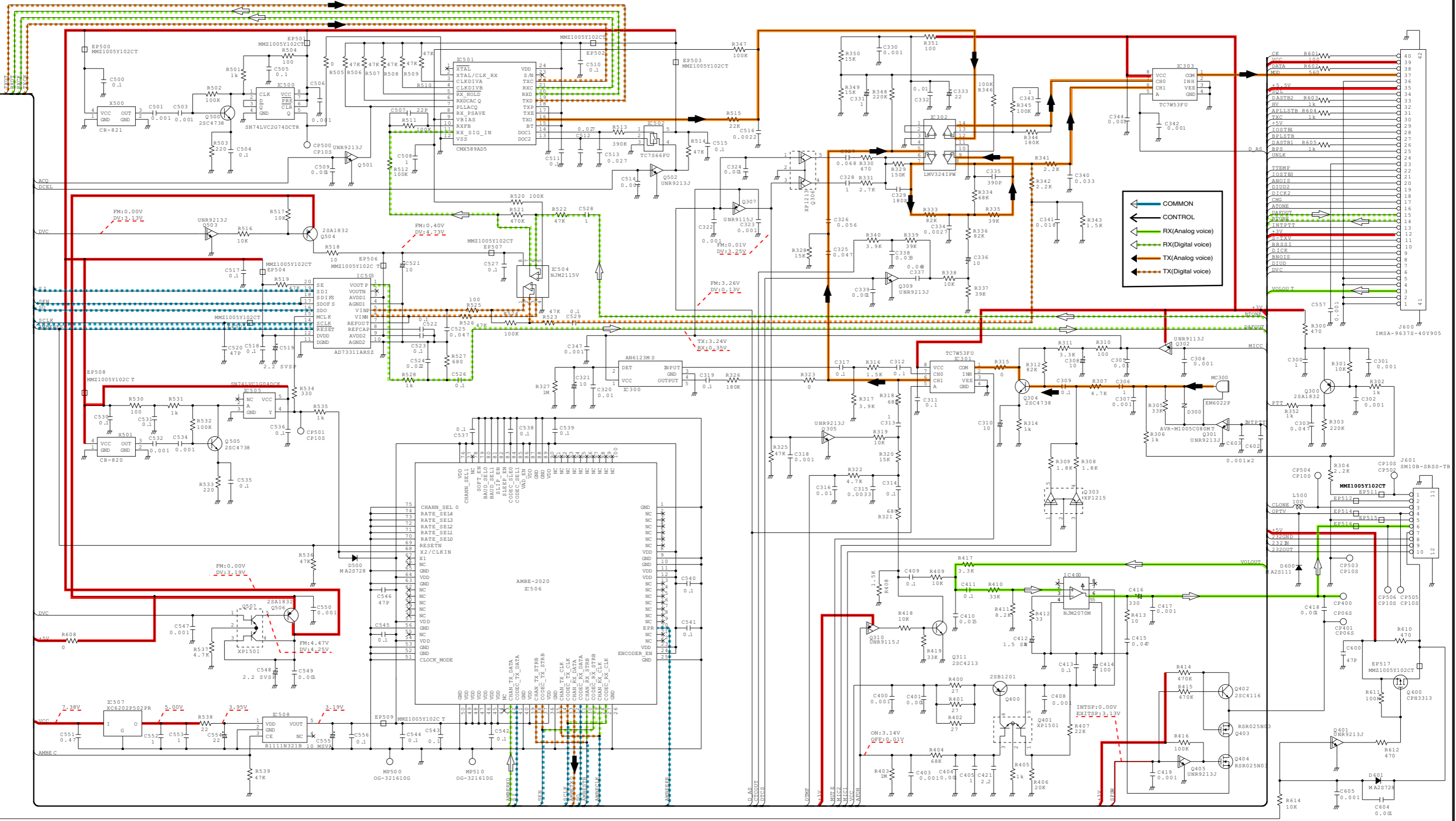
VOLTAGE DIAGRAM

LOGIC UNIT



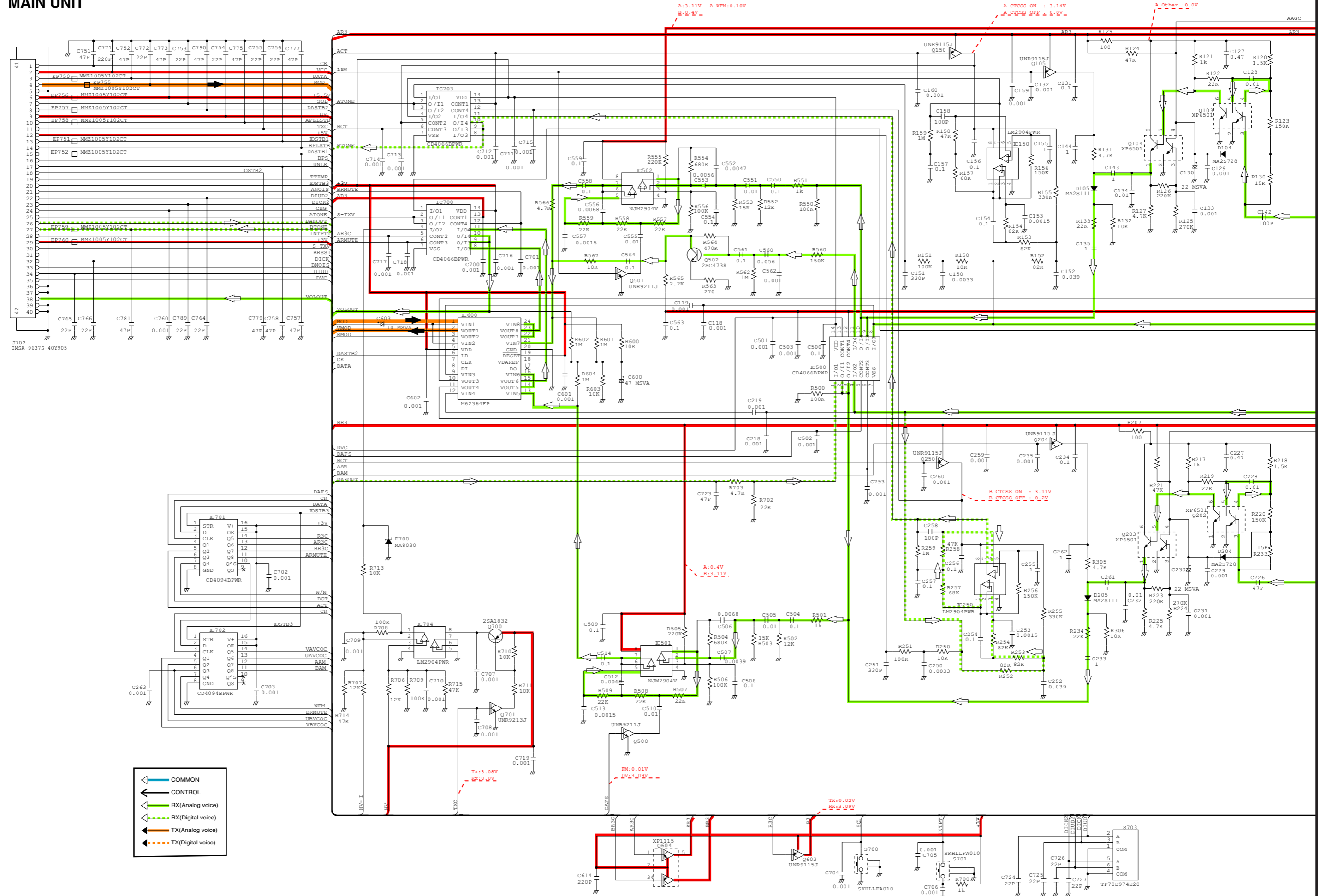
*; Refer to "PARTS LIST."

LOGIC UNIT



*; Refer to "PARTS LIST"

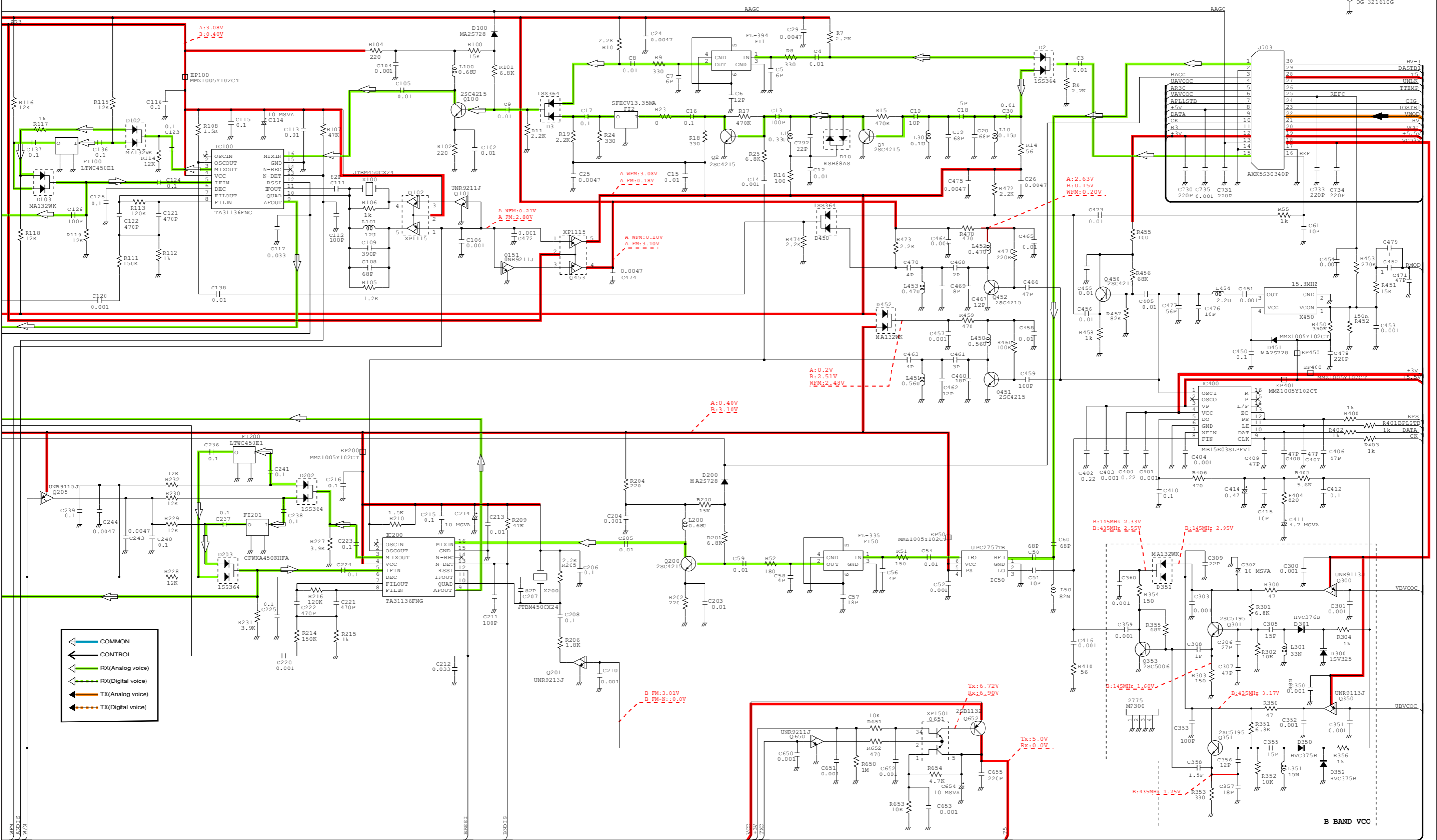
MAIN UNIT



*; Refer to "PARTS LIST."

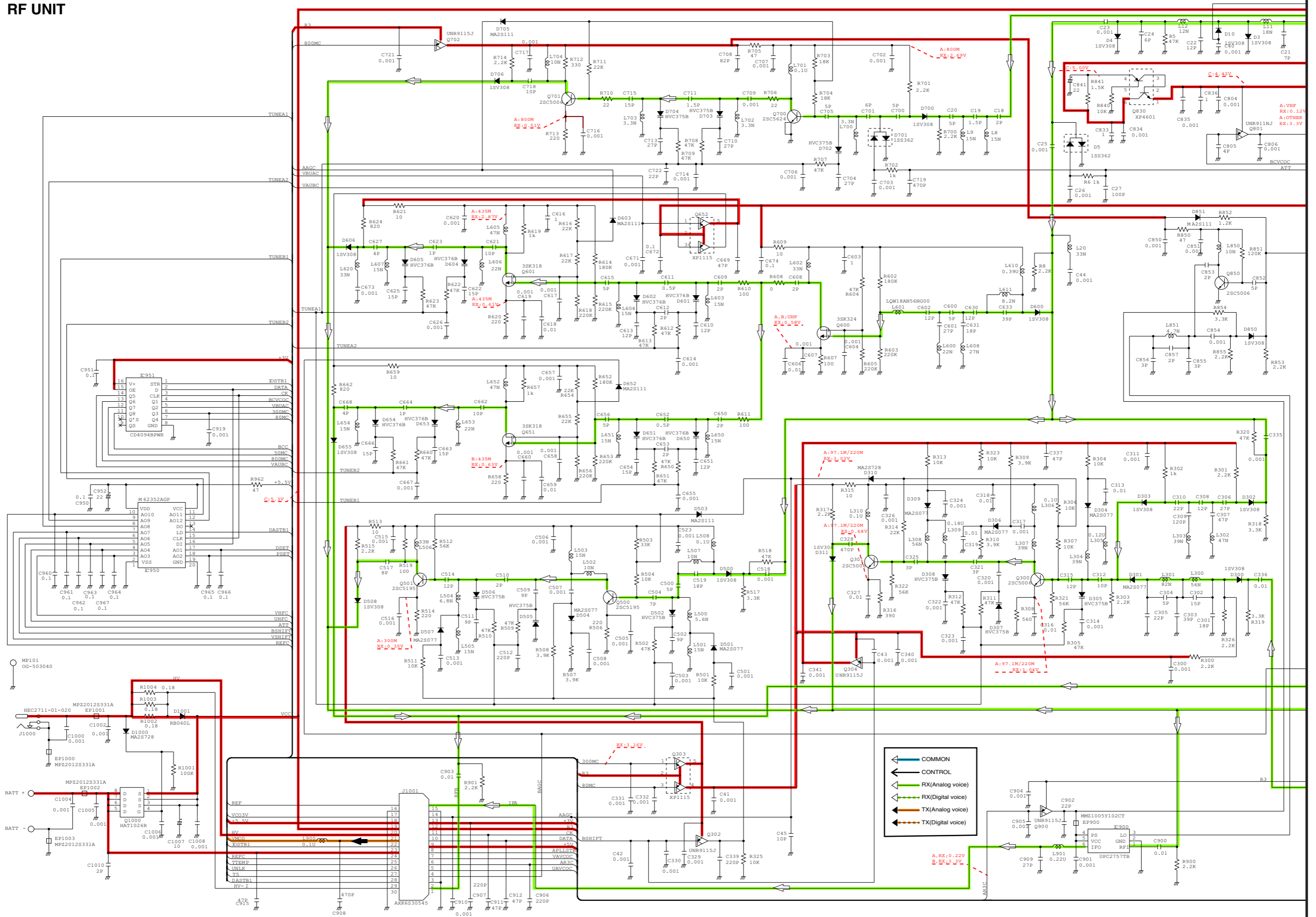
MAIN UNIT

MP302
OG-321610G

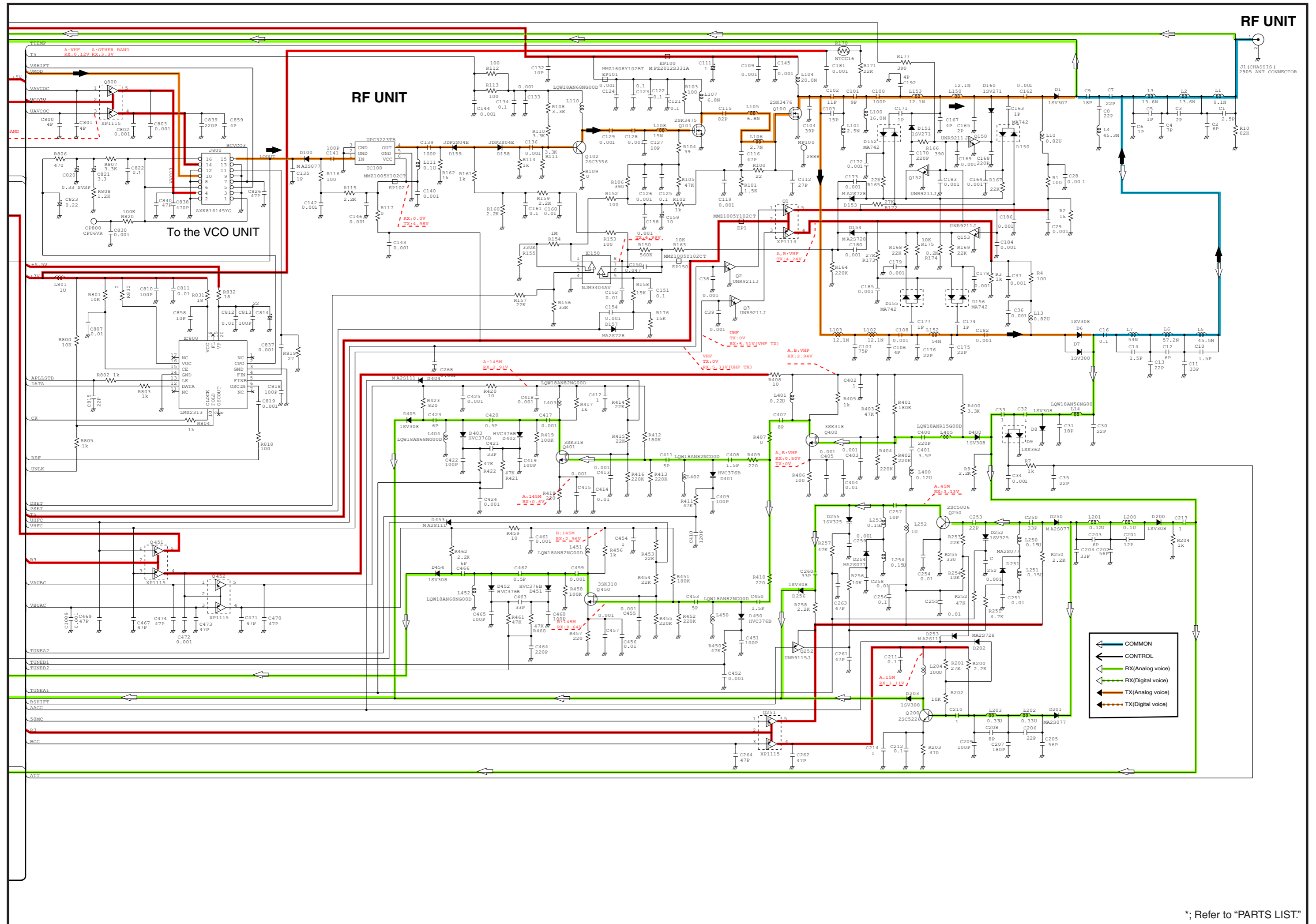


*; Refer to "PARTS LIST"

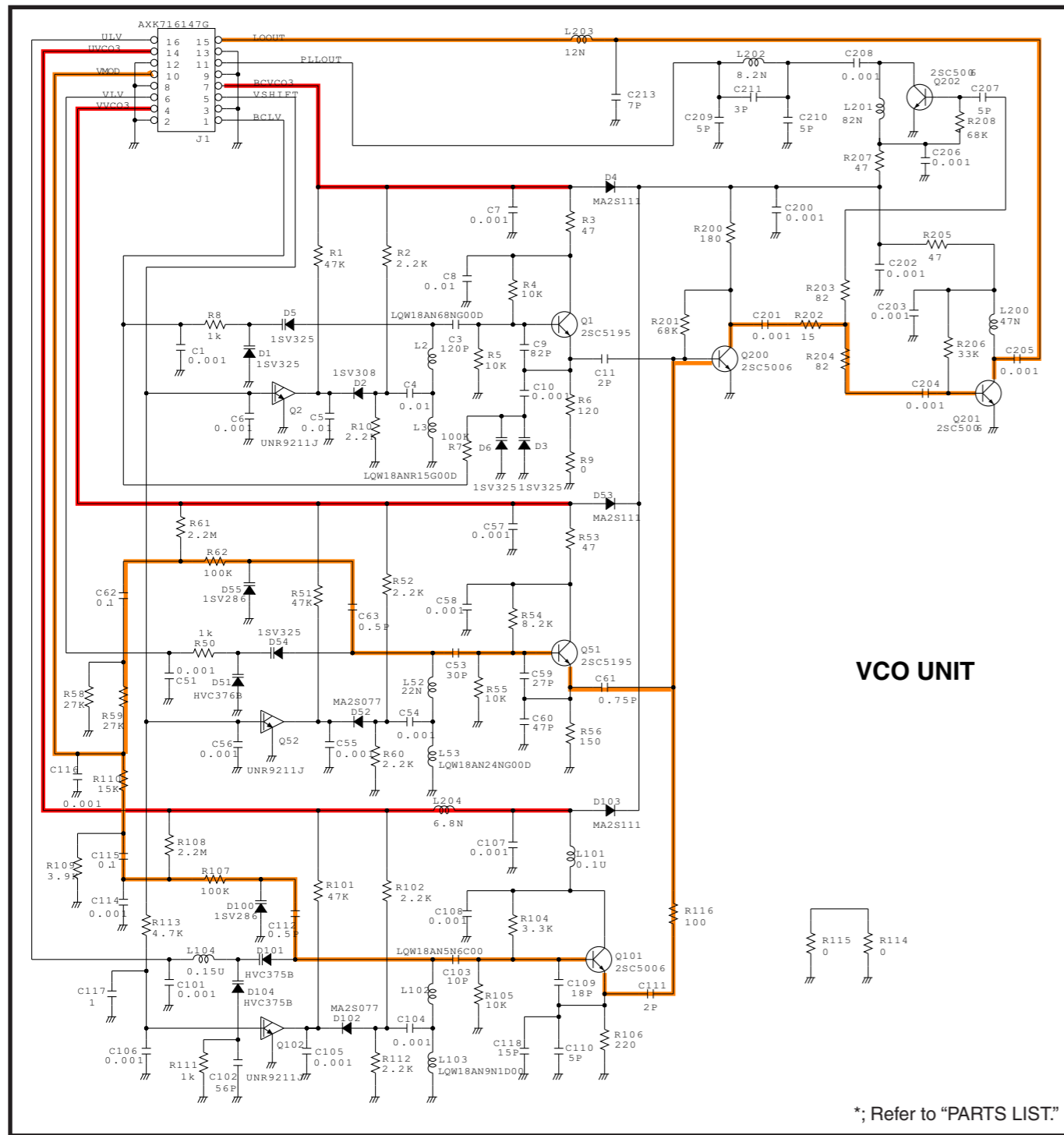
RF UNIT



*; Refer to "PARTS LIST"



*; Refer to "PARTS LIST"





SERVICE MANUAL

VHF/UHF DIGITAL TRANSCEIVER

IC-E92D

S-14416XZ-C1
Jan. 2008

Icom Inc.

INTRODUCTION

This service manual describes the latest service information for the **IC-E92D** VHF/UHF DIGITAL TRANSCEIVER at the time of publication.

MODEL	VERSION	SUPPLIED CHARGER
IC-E92D	[EUR]	BC-167D

UNIT ABBREVIATIONS:

F=FRONT UNIT
L=LOGIC UNIT
M=MAIN UNIT
R=RF UNIT
V=VCO UNIT

CAUTION

NEVER connect the transceiver to an AC outlet or to a DC power supply that uses more than specified. This will ruin the transceiver.

DO NOT reverse the polarities of the power supply when connecting the transceiver.

DO NOT apply an RF signal of more than 20 dBm (100 mW) to the antenna connector. This could damage the transceiver's front-end.

To upgrade quality, any electrical or mechanical parts and internal circuits are subject to change without notice or obligation.



ORDERING PARTS

Be sure to include the following four points when ordering replacement parts:

1. 10-digit Icom parts numbers
2. Component name
3. Equipment model name and unit name
4. Quantity required

<ORDER EXAMPLE>

1110003491 S.IC TA31136FNG IC-E92D MAIN UNIT 5 pieces
8820001210 SCREW 2438 SCREW IC-E92D Top cover 3 pieces

Addresses are provided on the inside back cover for your convenience.

REPAIR NOTES

1. Make sure the problem is internal before disassembling the transceiver.
2. **DO NOT** open the transceiver until the transceiver is disconnected from its power source.
3. **DO NOT** force any of the variable components. Turn them S-Lowly and smoothly.
4. **DO NOT** short any circuits or electronic parts. An insulated tuning tool **MUST** be used for all adjustments.
5. **DO NOT** keep power ON for a long time when the transceiver is defective.
6. **DO NOT** transmit power into a Standard Signal Generator or a Sweep Generator.
7. **ALWAYS** connect a 50 dB to 60 dB attenuator between the transceiver and a Deviation Meter or Spectrum Analyzer when using such test equipment.
8. **READ** the instructions of test equipment thoroughly before connecting a test equipment to the transceiver.

CONTENTS

SECTION 1 SPECIFICATIONS

SECTION 2 INSIDE VIEWS

SECTION 3 DISASSEMBLY INSTRUCTION

SECTION 4 CIRCUIT DESCRIPITON

4-1	RECEIVER CIRCUITS.....	4-1
4-2	TRANSMITTER CIRCUITS.....	4-5
4-3	FREQUENCY SYNTHESIZER CIRCUITS.....	4-6
4-4	CPU PORT ALLOCATION.....	4-7
4-5	VOLTAGE DIAGRAMS.....	4-8

SECTION 5 ADJUSTMENT PROCEDURES

5-1	PREPARATION.....	5-1
5-2	TRANSMIT AMPLIFIER ADJUSTMENT.....	5-3
5-3	FREQUENCY ADJUSTMENT.....	5-10
5-4	DEVIATION ADJUSTMENTS.....	5-11
5-3	RECEIVE ADJUSTMENTS.....	5-14
5-3	FREQUENCY ADJUSTMENT.....	5-10

SECTION 6 PARTS LIST

SECTION 7 MECHANICAL PARTS

SECTION 8 BOARD LAYOUTS

SECTION 9 BLOCK DIAGRAM

SECTION 10 VOLTAGE DIAGRAM

SECTION 1

SPECIFICATIONS

GENERAL

- Frequency coverage : (unit: MHz)

Version	A band	B band
EUR	Tx: 144–146, 430–440 Rx: 0.495–999.990*1,*2	Tx: 144–146, 430–440 Rx: 118–174*2, 350–470*1

*1Guaranteed 430–440 MHz only, *2Guaranteed 144–146 MHz only,

- Mode : FM, FN-N, AM (Rx only), WFM (Rx only), DV
- No. of memory channels : 1304
(incl. 100 scan edges and 4 call channels)
- Usable temp. range : –20°C to +60°C
- Tuning steps : 5[‡], 6.25[‡], 8.33[‡], 9[‡], 10, 12.5, 15, 20, 25, 30, 50, 100, 125 and 200 kHz
- Frequency stability : ±2.5 ppm (–20°C to +60°C)
- Power supply : 10.0–16.0 V DC for external DC power, or specified Icom's battery pack
- Digital transmission speed: 4.8 kbps
- Voice coding speed : 2.4 kbps
- Current drain (at 7.4 V DC) :

Tx High	144 MHz	1.8 A typical
	430/440 MHz	2.1 A typical
Tx Mid.	144 MHz	1.2 A typical
	430/440 MHz	1.5 A typical
Tx Low	144 MHz	0.6 A typical
	430/440 MHz	0.7 A typical
Tx S-Low		0.4 A typical
Rx	Rated output	150 mA typical (single watch; FM) 180 mA typical (dualwatch; FM/FM) 200 mA typical (single watch; DV) 220 mA typical (dualwatch; FM/DV)
	Rx Power save	38 mA typical
- (single watch; FM) (Duty 1:4)

	43 mA typical (dualwatch; FM/FM)
	47 mA typical (single watch; DV)
	50 mA typical (dualwatch; FM/DV)
standby	65 mA typical (single watch; FM)
	90 mA typical (dualwatch; FM/FM)
	110 mA typical (single watch; DV)
	130 mA typical (dualwatch; FM/DV)
- Antenna connector : SMA (50 Ω)
- Dimensions : 59(W)×112(H)×34.2(D) mm;
(projections not included)
- Weight (approx.) : 325 g (with antenna and BP-256)

TRANSMITTER

- Modulation system :

FM	Variable reactance freq. modulation
DV (Digital)	GMSK reactance freq. modulation
- Output power (at 7.4 V DC) (Typical) : High 5.0 W, Mid. 2.5 W, Low 0.5 W, S-Low 0.1 W
- Max. frequency deviation : ±5.0 kHz (FM wide: approx.)
±2.5 kHz (FM narrow: approx.)
- Spurious emissions : Less than –60 dBc at High/Mid.
Less than –13 dBm at Low/Slow
- Ext. mic. impedance : 2 kΩ

RECEIVER

- Receive system :

Except WFM	Double-conversion superheterodyne
WFM	Triple-conversion superheterodyne
- Intermediate frequencies :

1st	A band	61.65 MHz/59.25 MHz (WFM only)
	B band	46.35 MHz
2nd		450 kHz/13.35 MHz (WFM only)
3rd		1.95 MHz (WFM only)
- Sensitivity (except spurious points):

AM (1 kHz/30% Mod.; 10 dB S/N)	
0.495–4.995 MHz	1.3 μV typ.
5.000–29.995 MHz	0.56 μV typ.
118.000–137.000 MHz	0.5 μV typ.
222.000–246.995 MHz	0.79 μV typ.
247.000–329.995 MHz	1 μV typ.
FM (1 kHz/3.5 kHz Dev.; 12 dB SINAD)	
VHF (Amateur band only)	0.14 μV typ.
UHF (Amateur band only)	0.16 μV typ.
1.625–29.995 MHz	0.4 μV typ.
30.000–117.995 MHz	0.25 μV typ.
118.000–173.995 MHz	0.14 μV typ.
174.000–259.995 MHz	0.32 μV typ.
260.000–349.995 MHz	0.32 μV typ.
350.000–469.995 MHz	0.16 μV typ.
470.000–599.995 MHz	0.32 μV typ.
600.000–999.990 MHz	0.56 μV typ.
WFM (1 kHz/52.5 kHz Dev.; 12 dB SINAD)	
76.000–108.000 MHz	1 μV typ.
175.000–221.995 MHz	1.8 μV typ.
470.000–770.000 MHz	2.5 μV typ.
DV (digital/PN9 4.8 kbps; BER 1%)	
VHF (Amateur band only)	0.22 μV typ.
UHF (Amateur band only)	0.22 μV typ.
- Audio output power : More than 200 mW at 10% distortion
(at 7.4 V DC) with an 8 Ω load
- Selectivity :

FM (Wide), AM	More than 50 dB
FM (Narrow), DV	More than 45 dB
WFM	More than 300 kHz/–3 dB Less than 700 kHz/–20 dB
- Ext. speaker connector : 3-conductor 3.5(d) mm; (1/8")/8 Ω
- Spurious and image rejection ratio :

VHF	More than 60 dB
UHF	More than 50 dB
(Intermediate freq.;)	More than 60 dB
- Squelch Sensitivity (except spurious points):

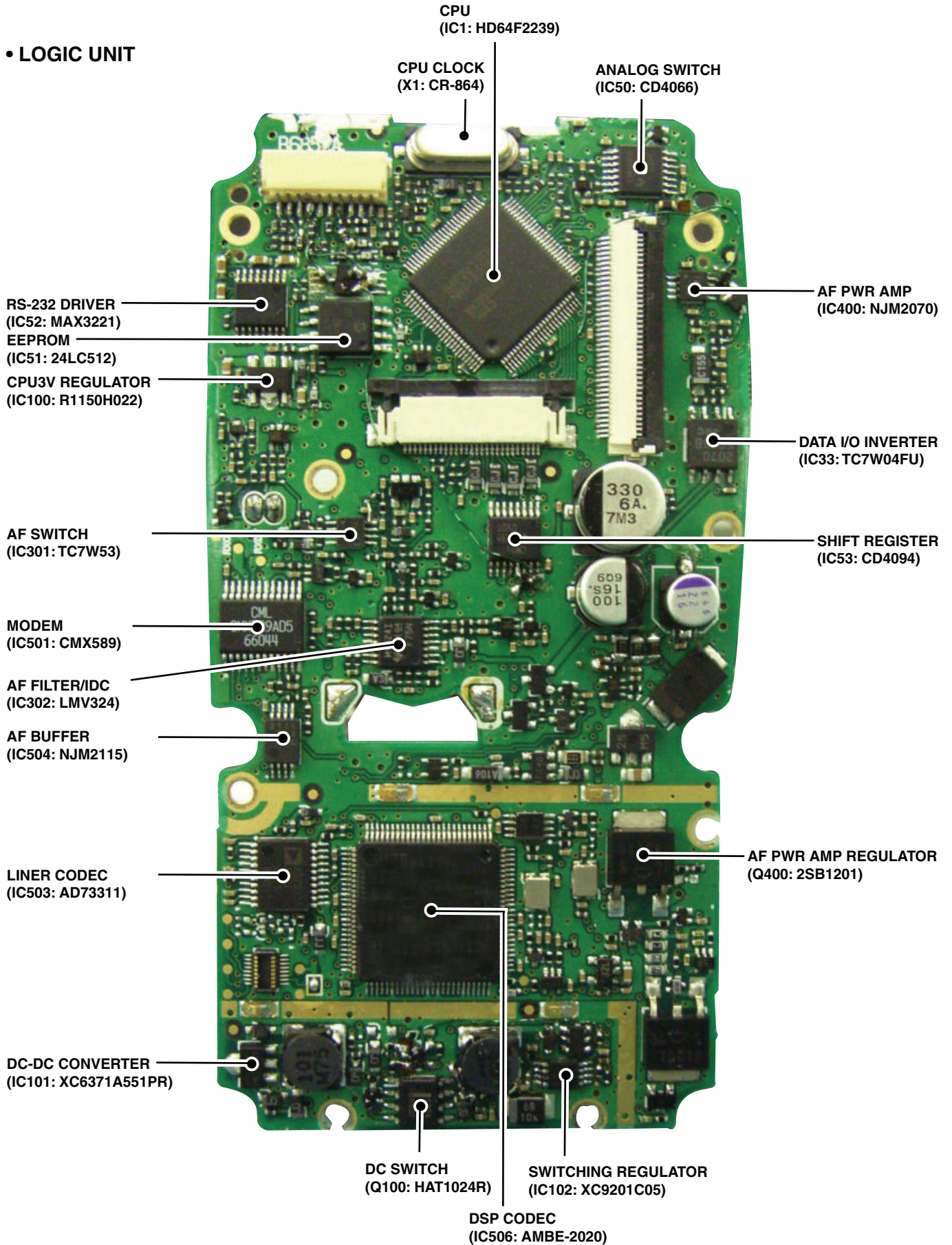
AM (1 kHz/30% Mod.)	
0.495–4.995 MHz	1.3 μV typ.
5.000–29.995 MHz	0.56 μV typ.
118.000–137.000 MHz	0.5 μV typ.
222.000–246.995 MHz	0.79 μV typ.
247.000–329.995 MHz	1 μV typ.
FM (1 kHz/3.5 kHz Dev.)	
1.625–29.995 MHz	0.4 μV typ.
30.000–75.995 MHz	0.25 μV typ.
76.000–117.995 MHz	0.25 μV typ.
118.000–173.995 MHz	0.14 μV typ.
174.000–259.995 MHz	0.32 μV typ.
260.000–349.995 MHz	0.32 μV typ.
350.000–469.995 MHz	0.16 μV typ.
470.000–599.995 MHz	0.32 μV typ.
600.000–999.990 MHz	0.56 μV typ.
WFM (1 kHz/52.5 kHz Dev.)	
76.000–108.000 MHz	1 μV typ.
175.000–221.995 MHz	1.8 μV typ.
470.000–770.000 MHz	2.5 μV typ.

[‡]Selectable depending on the operating frequency band.

SECTION 2

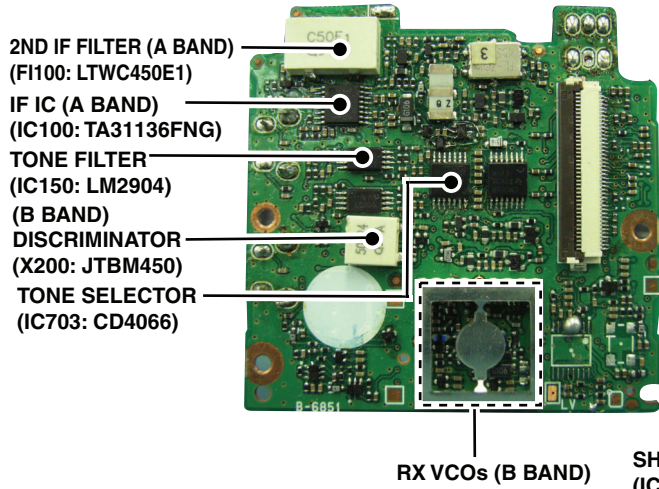
INSIDE VIEWS

• LOGIC UNIT

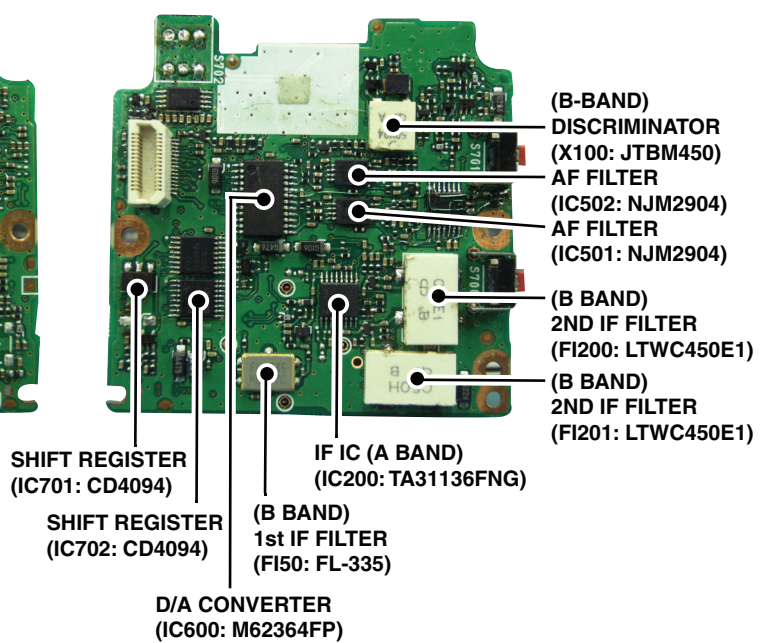


• MAIN UNIT

(TOP VIEW)

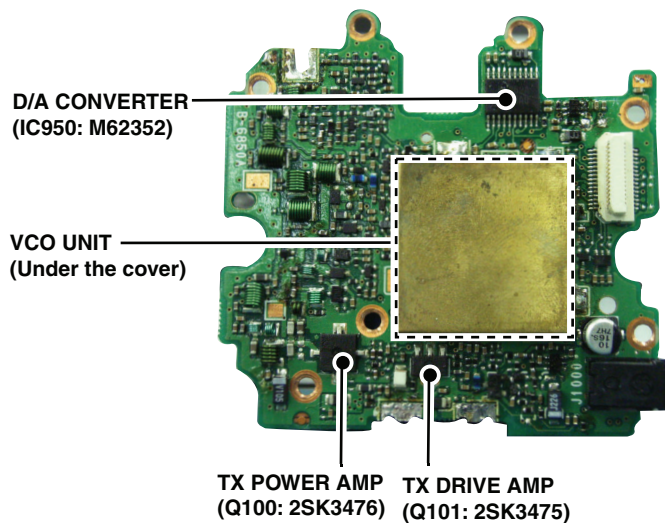


(BOTTOM VIEW)

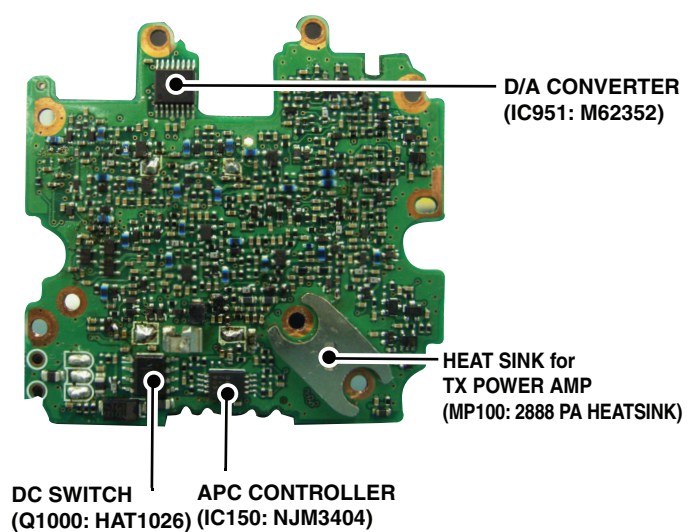


• RF UNIT

(TOP VIEW)



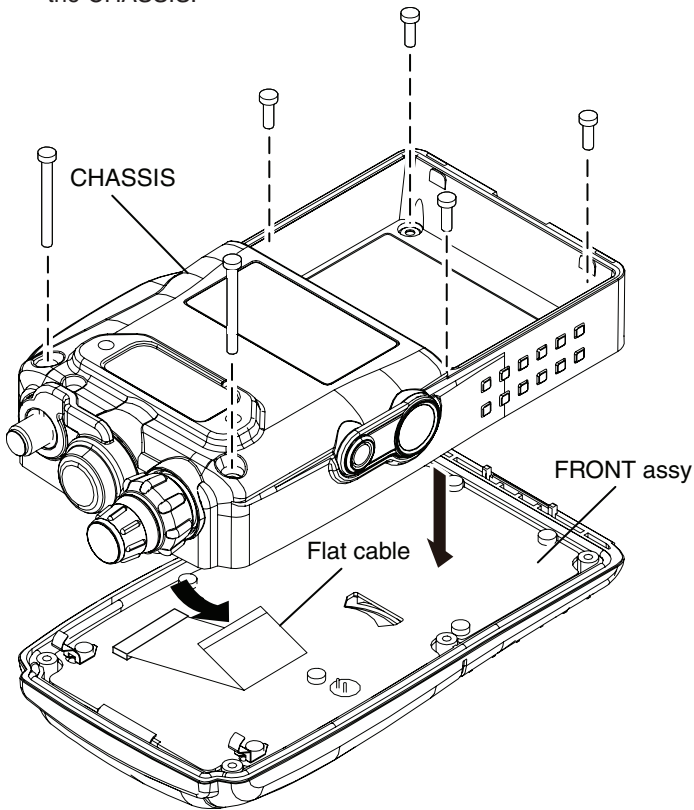
(BOTTOM VIEW)



SECTION 3 DISASSEMBLY INSTRUCTION

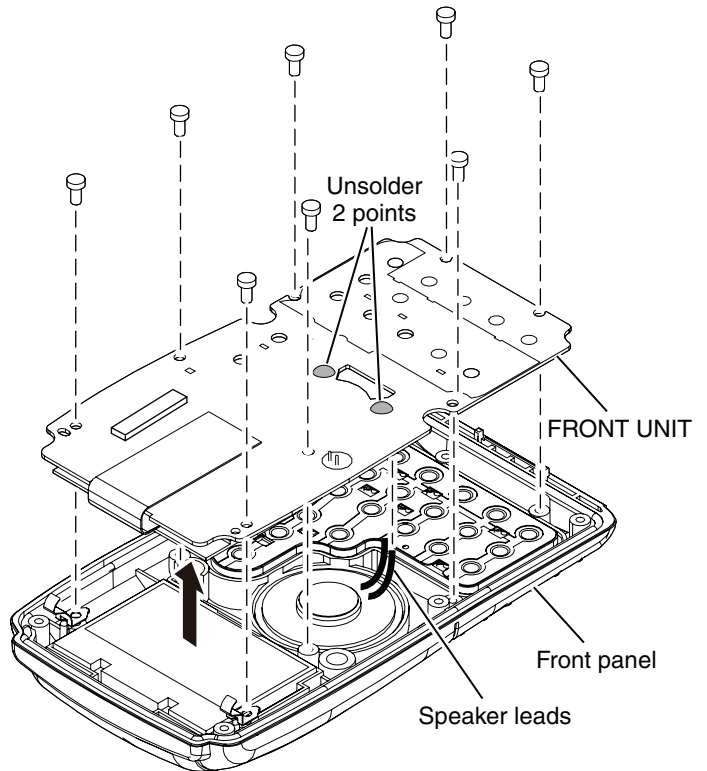
1. Removing the front panel

- ① Unscrew 6 screws from the CHASSIS.
- ② Disconnect the flat cable between MAIN UNIT and FRONT assembly, and remove the FRONT assembly from the CHASSIS.



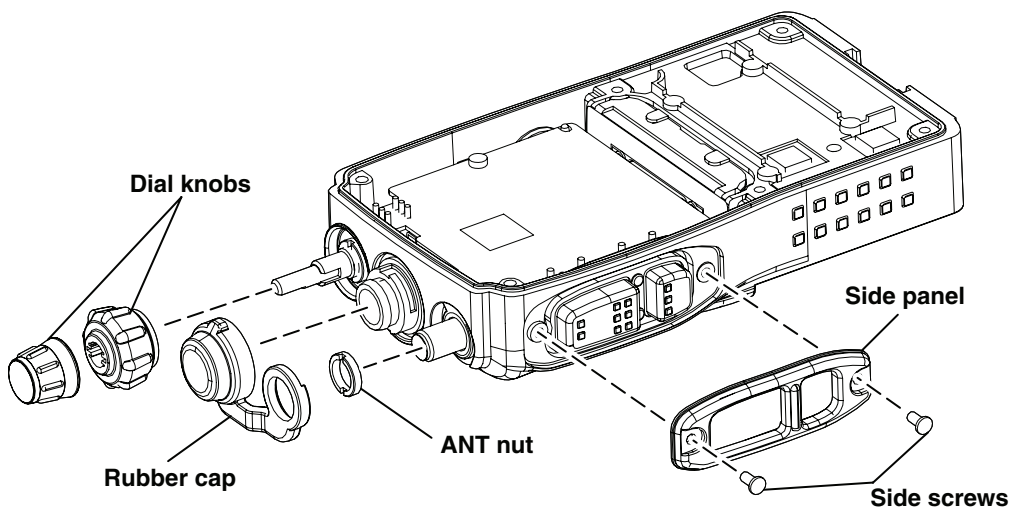
2. Removing the FRONT UNIT

- ① Unscrew 8 screws from the FRONT UNIT.
- ② Unsolder 2 points to remove the speaker leads, then remove the FRONT UNIT from the front panel.



3. Removing outer parts

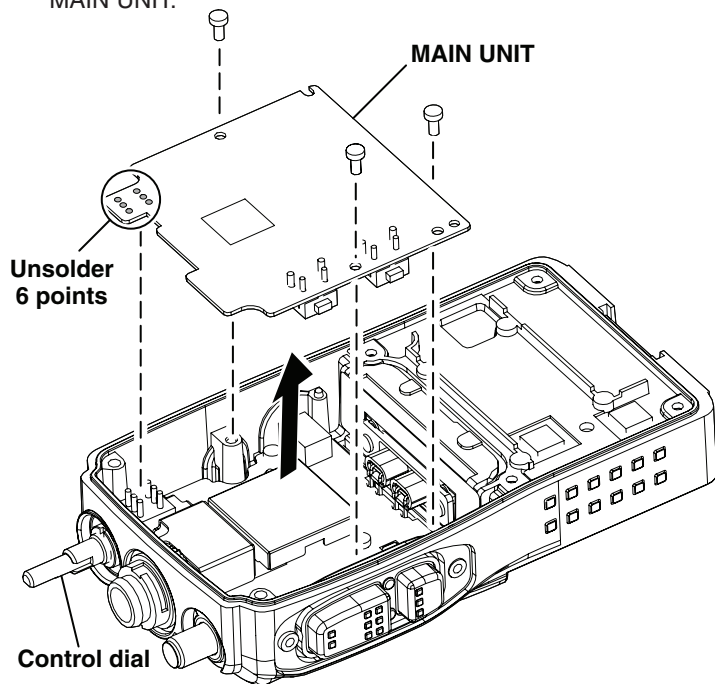
- ① Remove the dial knobs.
- ② Remove the rubber cap, and unscrew the ANT nut.
- ③ Unscrew the side screws, and remove the side panel.



(Continued to next page)

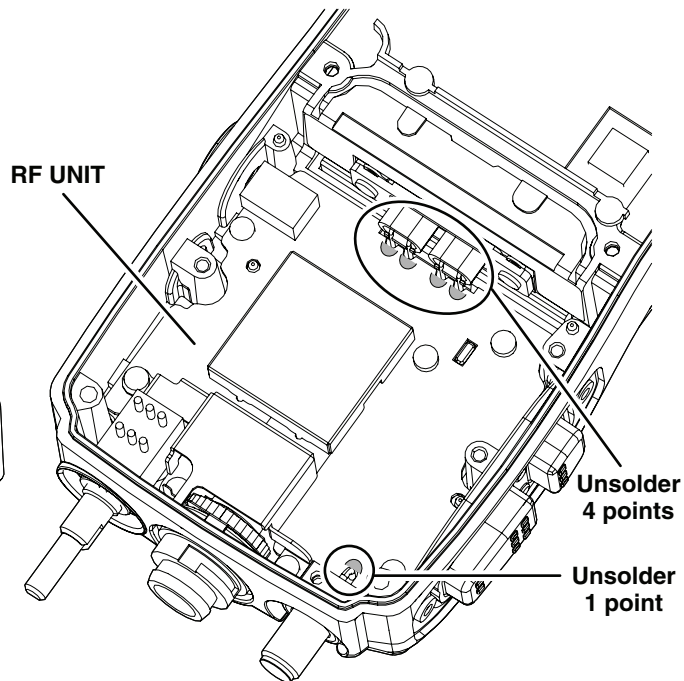
4. Removing MAIN UNIT

- ① Unscrew 3 screws from the MAIN UNIT.
- ② Unsolder 6 points at the control dial, and remove the MAIN UNIT.

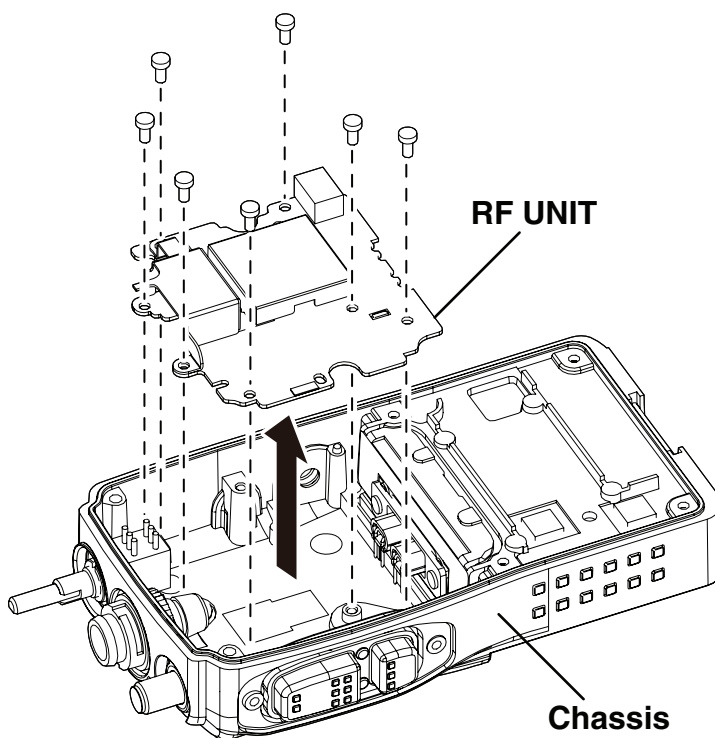


5. Removing RF UNIT

- ① Unsolder 4 points at the contact pins.
- ② Unsolder 1 point at the bottom of ANT connector.



- ③ Unscrew 7 screws from the RF UNIT, and remove the RF UNIT from the CHASSIS.



4-1 RECEIVER CIRCUITS

RF CIRCUITS (RF UNIT)

RX signals from the antenna are sorted by its frequency by the filters and gone through RF circuits for each bands. And this transceiver also has two RX lines for two independent operating bands; A BAND and B BAND.

<A BAND>

• 76 MHz and below

The RX signals are passed through two LPFs, ANT SW, ATT, band SW and LPF. The RX signals are sorted by its frequency by band SWs.

• 0.495–29.995 MHz

The RX signals are passed through the band SW (D201) and LPF, and applied to tuned RF AMP (Q200). The amplified RX signals are applied to the 1st mixer (IC900) via the band SW (D203).

• 30–75.995 MHz

The RX signals are passed through the band SW (D250) and tuned BPF, and applied to the RF AMP (Q250). The amplified RX signals are passed through tuned BPF, then applied to the 1st IF mixer (IC900) via the band SW (D256).

• 76–117.995 MHz

The RX signals are passed through two LPFs, ANT SW, ATT, band SW, LPF and another band SW in sequence, then applied to the RF AMP (Q300) via the tuned BPF. The amplified RX signals are passed through another tuned BPF, then applied to another RF AMP (Q301). The amplified RX signals are applied to the 1st mixer (IC900) via the band SW (D311).

• RF CIRCUITS

• 118–173.995 MHz

The RX signals are passed through two LPFs, ANT SW, ATT and band SW, then applied to the RF AMP (Q400). The amplified RX signals are passed through the tuned BPF, and applied to another RF AMP (Q401). The amplified RX signals are passed through tuned BPF, then applied to the 1st IF mixer (IC900) via the band SW.

• 174–259.995 MHz

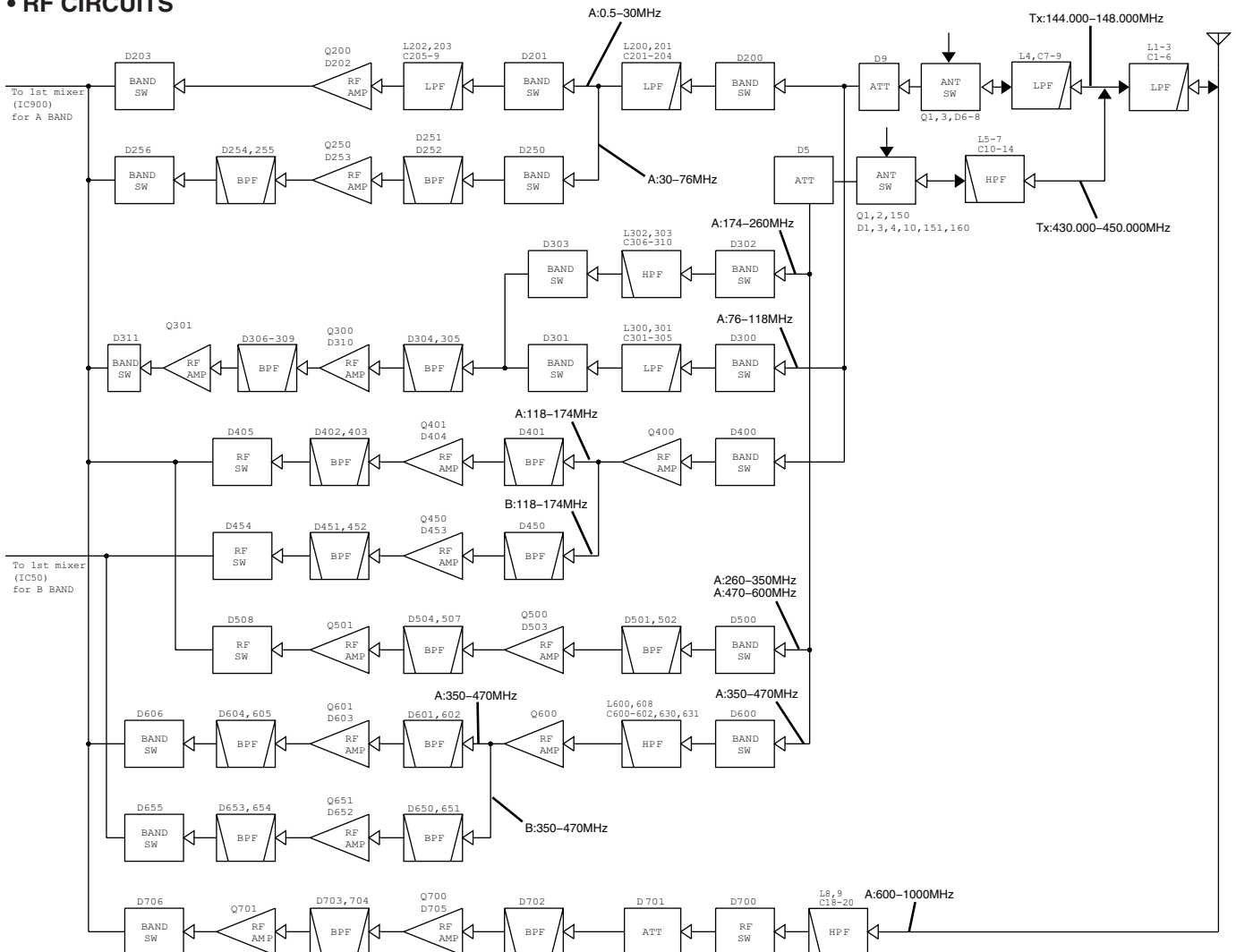
The RX signals are passed through the LPF, HPF, ANT SW, ATT, band SW, HPF and another band SW in sequence, then applied to the RF AMP (Q300) via the tuned BPF. The amplified RX signals are passed through another tuned BPF, then applied to another RF AMP (Q301). The amplified RX signals are applied to the 1st mixer (IC900) via the band SW.

• 260–349.995 MHz and 470–599.995 MHz

The RX signals are passed through the LPF, HPF, ANT SW, ATT, BAND SW and tuned BPF in sequence, then applied to the RF AMP (Q500). The amplified RX signals are passed through another 2pole tuned BPF, and applied to another RF AMP (Q501). The amplified RX signals are then applied to the 1st mixer (IC900) via the band SW.

• 350–469.995 MHz

The RX signals are passed through the LPF, HPF, ANT SW, ATT, band SW and HPF in sequence, then applied to the RF AMP (Q600). The amplified RX signals are passed through the tuned BPF, and applied to the RF AMP (Q601). The amplified RX signals are passed through the BPF, then applied to the 1st mixer (IC900) via the band SW.



• 600–999.990 MHz

The RX signals are passed through the HPF, band SW, ATT and tuned BPF in sequence, then applied to the RF AMP (Q700). The amplified RX signals are passed through the BPF, and applied to another RF AMP (Q701). The amplified RX signals are applied to the 1st mixer (IC900) via the band SW.

The RF attenuation which reduces RX signal level to -10 dB is carried out by D5, D9 and D701, by turning these PIN diodes ON using "ATT" signal.

<B BAND>

• 118–173.995 MHz

The RX signals for B BAND are passed through 2 LPFs, ANT SW, ATT and band SW, then applied to the RF AMP (Q400). The amplified RX signals are passed through the BPF, and applied to the tuned RF AMP (Q450). The amplified RX signals are passed through tuned 2-pole BPF, then applied to the 1st mixer (M: IC50) via the band SW.

• 350–469.995 MHz

The RX signals are passed through the LPF, HPF, ANT SW, ATT, band SW and another HPF in sequence, then applied to the RF AMP (Q600). The amplified RX signals are passed through 2-pole tuned BPF, and applied to tuned RF AMP (Q651). The amplified RX signals are passed through another tuned BPF, then applied to the 1st mixer (M: IC50) via the band SW.

• FREQUENCY CONFIGURATION

BAND	RX MODE	1st IF	1st LO	2nd IF	2nd LO	3rd IF	3rd LO
A BAND	NFM/AM	61.65 MHz	62.15–538.345 MHz (<600 MHz) 269.175–469.17 MHz (>600 MHz)	450 kHz	61.2 MHz	-	-
	WFM	59.25 MHz	16.75–355.375 MHz(76–770 MHz)	13.35 MHz	45.9 MHz	1.95 MHz	15.3 MHz
B BAND	NFM/AM	46.35 MHz	71.65–423.65 MHz (118–174, 350–470 MHz)	450 kHz	45.9 MHz	-	-

1ST IF CIRCUIT (MAIN UNIT)

<A BAND>

The RX signals from the RF circuits are applied to the 1st mixer (RF: IC900) to be converted into the 1st IF signal, by being mixed with the 1st Local Oscillator (LO) signals from the VCO UNIT. The 1st LO signals from the VCO UNIT are applied to the 1st mixer via the LO SW, or doubler (in receiving of 600 MHz and above).

The converted 1st IF signal is passed through the IF SW (D2) which toggles the path of the 1st IF signal: WFM mode or other than WFM mode.

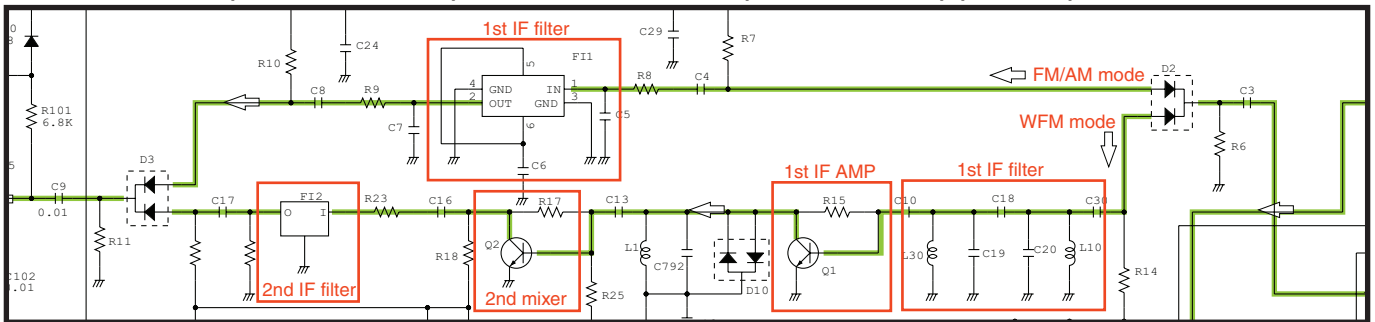
• FM/AM MODE

The 1st IF signal from the 1st mixer (RF: IC900) is entered to the MAIN UNIT, and passed through the 1st IF filter (F11) via IF SWs (D2, 3) to remove unwanted signals. The filtered 1st IF signals are applied to the 1st IF AMP (Q100), and the amplified 1st signal is applied to the 2nd IF circuit.

• WFM MODE (Incl. 2nd IF circuit)

When receiving in WFM mode, the 1st IF signal from the 1st mixer (RF: IC900) is entered to the MAIN UNIT and passed through the BPF, then applied to the 1st IF AMP (Q1). The amplified 1st IF signal is applied to the 2nd mixer (Q2) to be converted into the 13.35 MHz 2nd IF signal, by being mixed with the 45.9 MHz 2nd LO signal (generated by X450, tripled by Q451). The converted 2nd IF signal is passed through the 2nd IF filter (F12) to remove sideband noise, then applied to the 2nd IF AMP (Q100) via the IF SW (D3). The amplified 2nd IF signal is applied to the 3rd IF circuit.

• 1ST IF CIRCUIT (For FM/AM mode) AND 2ND IF CIRCUIT (For WFM mode) (A BAND)

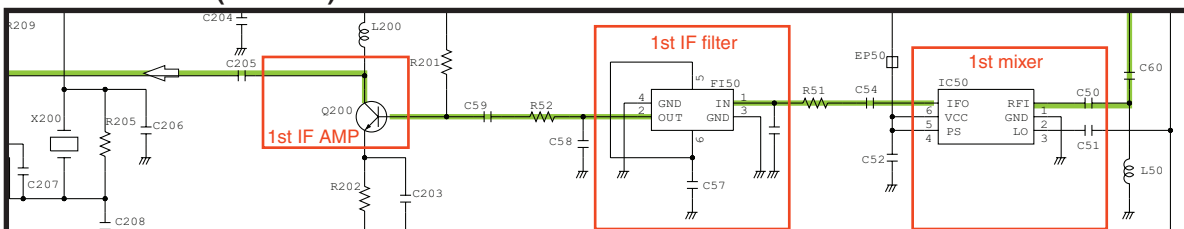


<B BAND>

The RX signals from the RF circuits are entered to the MAIN UNIT, and applied to the 1st mixer (IC50) to be converted into the 1st IF signal, by being mixed with the 1st Local Oscillator (LO) signals from the B BAND VCO (Q350, 351)

via the buffer (Q353). The converted 1st IF signal is passed through the 1st IF filter (F150) to remove unwanted signals, then applied to the 1st IF AMP (Q200). The amplified 1st IF signal is applied to the 2nd IF circuits.

• 1st IF CIRCUIT (B BAND)



2ND IF AND DEMODULATOR CIRCUITS (MAIN UNIT)

<A BAND>

The 1st IF signal from the 1st IF AMP (Q100) is applied to the IF IC (IC100). The applied 1st IF signal is mixed with the 61.2 MHz 2nd LO signal (generated by X450, buffered by Q450) at the internal 2nd mixer, to be converted into the 2nd IF signal. The converted 2nd IF signal is output from pin 3, then passed through the 2nd IF filter (FI100) via IF SWs (D102, 103).

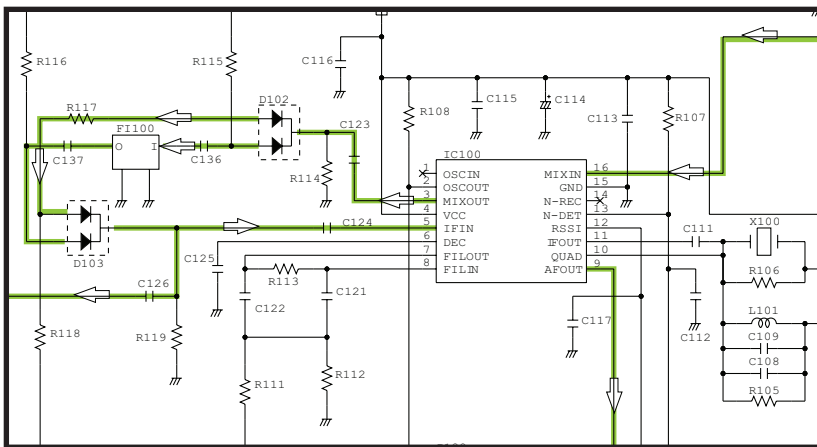
• FM MODE

The filtered 2nd IF signal is backed to the IF IC from pin 5, and saturation-amplified by the internal limit AMP. The amplified 2nd IF signal is FM-demodulated by the discriminator (X100), and the recovered AF signals (RX AF signals) are output from pin 9, then applied to the AF circuits via the AF mute SW (IC500, pins 8, 9).

• AM MODE

The filtered 2nd IF signal is amplified by 2nd IF AMP (Q103), then applied to the AM demodulator circuit (Q104, 105, D105) to be recovered to the AF signals. The demodulated AF signals are applied to the AF circuits.

• 2ND IF AND FM DEMODULATOR CIRCUITS (A BAND)

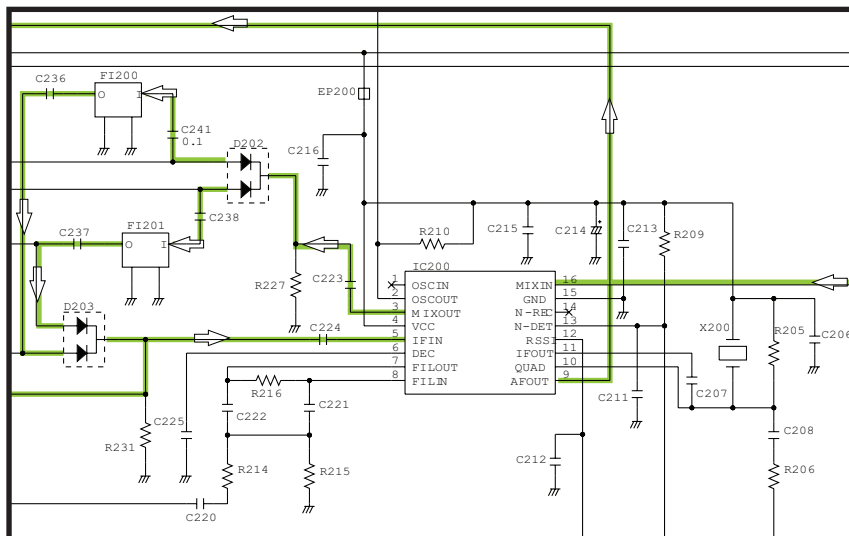


3RD IF CIRCUIT (MAIN UNIT) (FOR A BAND, WFM MODE ONLY)

The 2nd IF signal from the 2nd IF AMP (Q100) is applied to the IF IC.

The applied 2nd IF signal is mixed with the 15.3 MHz 3rd LO signal (generated by X450, buffered by Q450), to be converted into the 1.95 MHz 3rd IF signal by the internal 3rd mixer. The converted 3rd IF signal is output from pin 3, and passed through the IF SWs (D102, 103), then backed to the

• 2ND IF AND FM DEMODULATOR CIRCUIT (B BAND)



<B BAND>

The 1st IF signal from the 1st IF AMP (Q200) is applied to the IF IC (IC200). The applied 1st IF signal is mixed with 45.9 MHz 2nd LO signal (generated by X450, tripled by Q451) at the internal 2nd mixer, to be converted into the 450 kHz 2nd IF signal. The converted 2nd IF signal is output from pin 3, then passed through one of the 2nd IF filters.

The 2nd IF signal is passed through FI200 in FM/AM mode, and passed through FI201 in FM-N mode.

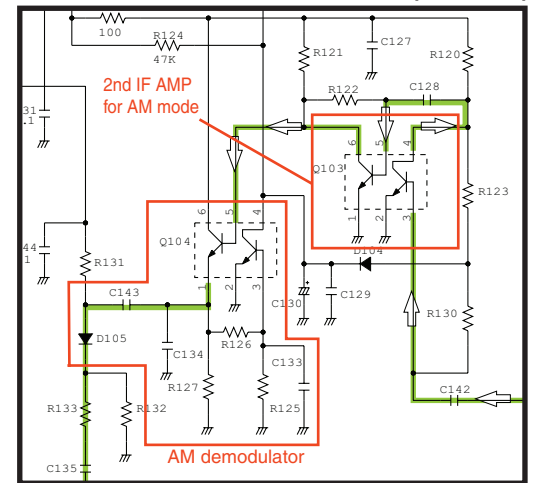
• FM/FM-N/DV MODE

The filtered 2nd IF signal is backed to the IF IC from pin 5, then saturation-amplified by the internal limit AMP. The amplified 2nd IF signal is FM-demodulated by the discriminator (X200), and the recovered AF signals (RX AF signals) are output from pin 9, then applied to the AF circuits via the AF mute SW (IC500, pins 4, 3).

• AM MODE

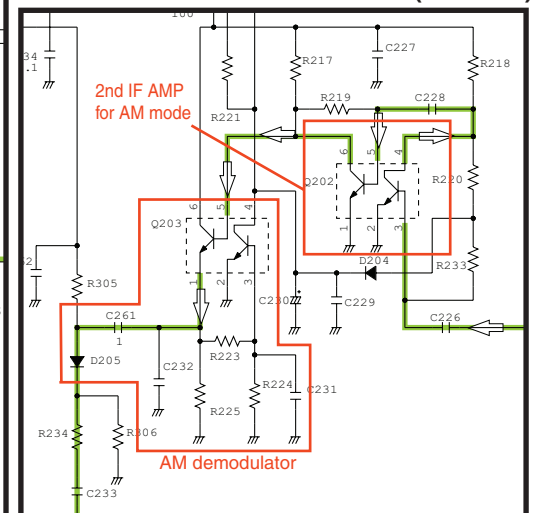
The filtered 2nd IF signal is amplified by another 2nd IF AMP (Q202), then applied to the AM demodulator circuit (Q203, 204, D205) to be AM-demodulated. The demodulated AF signals are applied to the AF circuits.

• AM DEMODULATOR CIRCUIT (A BAND)



IF IC (bypassing FI100). The 3rd IF signal is FM-demodulated by the discriminator (X100), and the recovered AF signals (RX AF signals) are output from pin 9, then applied to the AF circuits via the AF mute SW (IC500, pins 8, 9).

• AM DEMODULATOR CIRCUIT (B BAND)



RX AF CIRCUITS (LOGIC UNIT)

<A BAND>

The AF signals from the FM/AM demodulator circuits are passed through the mode SW (M: IC500D) and one of the AF filters (IC502 and Q501, or, Q502 only) whose audio frequency response is set as stable for each RX mode (FM/AM or WFM).

FM/AM-demodulated AF signals are filtered by IC502, and FM (WFM)-demodulated AF signals are filtered by Q502.

The filtered AF signals are passed through the D/A converter (DAC; IC600, pins 21, 22; 24, 23) for level adjustment. The level-adjusted AF signals are entered to the LOGIC UNIT via the RX AF mute SW (M: IC700, pins 8, 9), and applied to the AF power AMP (IC400) to obtain audio output power. The power-amplified AF signals are applied to the internal speaker or output from [DATA/SP/MIC] jack.

<B BAND>

• FM MODE

The FM-demodulated AF signals from the mute SW (M: IC500B) are passed through the mode SW (IC500A) and AF filter (M: IC501).

• AM MODE

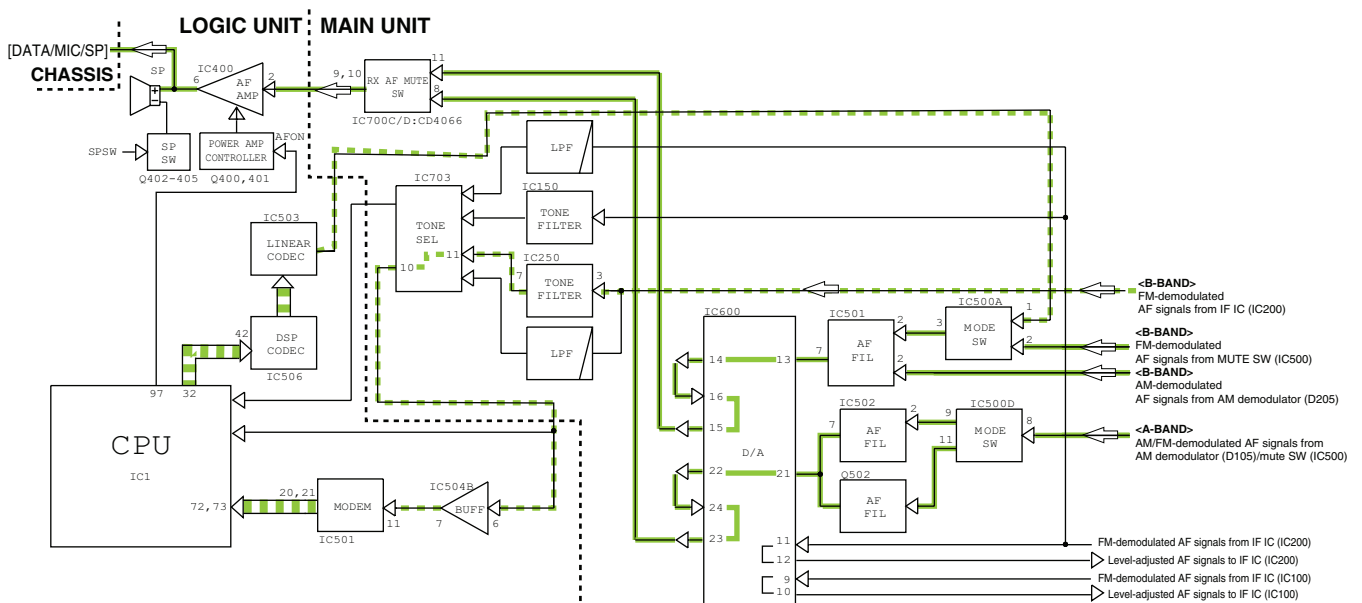
The AM-demodulated AF signals from the AM detector (M: Q203, 204, D205) are directly passed through the AF filter (M: IC501, pin 2).

• DV MODE

The FM-demodulated signals from the IF IC (M: IC200) are passed through the tone filter (M: IC250). The filtered signals are applied to the modem (IC501) via the tone selector (M: IC703) and buffer (IC504B), to be converted into the DV data. The DV data is applied to the CPU (IC1), and converted into the AMBE signals. The AMBE signal is then applied to the DSP CODEC IC (IC506) and decoded. The decoded AMBE signals are converted into the analog audio signal by liner CODEC IC (IC503). The converted AF signals are passed through the mode SW (M: IC500A) and AF filter (M: IC501).

The filtered AF signals are passed through the D/A converter (DAC; M: IC600, pins 13, 14; 16, 15) for level adjustment. The level-adjusted AF signals are entered to the LOGIC UNIT via RX AF mute SW (M: IC700C/D), and applied to the AF power AMP (IC400) to obtain audio output power. The power-amplified AF signals are applied to the internal speaker or output from [DATA/SP/MIC] jack.

• RX AF CIRCUITS

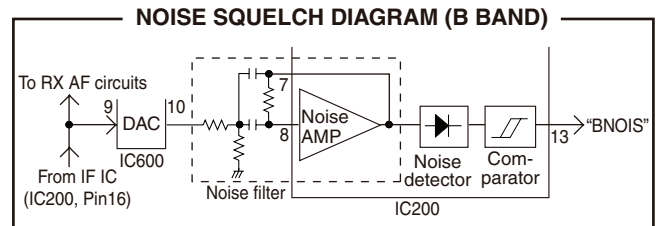
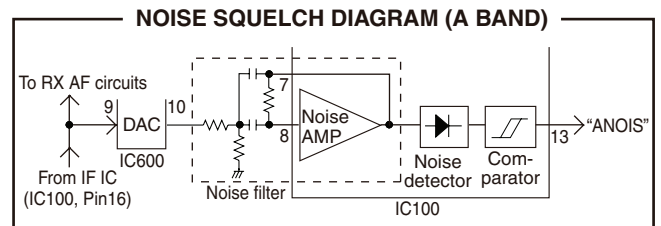


SQUELCH CIRCUIT

The squelch circuit cuts off the AF output signals when no RF signals are received. Detecting noise components (approx. 30 kHz signals) in the demodulated AF signals, the squelch circuit stops audio signals being emitted.

A portion of FM-demodulated AF signal from the IF IC (M: IC100/IC200) is passed through the DAC (M: IC600) for level (=threshold) adjustment. The level-adjusted AF signals are passed through the noise filter (IC100, pins 7, 8 and R111-113, C121, 122/IC200, pins 7, 8 and R214-216, C221, 222) to filter the noise components (approx. 30 kHz signals) only. The noise components are rectified to produce DC voltage corresponding to the noise level.

If the noise level is higher than the preset one, the internal comparator set the "ANOISE"/"BNOISE" signal to the CPU to "High", then the CPU turns the "AFON" signal which controls the AF power AMP (L: IC400) to "Low," to inactivate the AF power AMP (L: IC400). At the same time, the CPU turns the "ARMUTE"/"BRMUTE" signal which controls the RX AF mute SW (L: IC700) to "Low," to cut-off the RX AF line.



4-2 TRANSMIT CIRCUITS TX AF CIRCUITS (LOGIC UNIT)

• FM MODE

MIC signals from the internal/external microphone (MC300 signals) are passed through the MIC gain SW (Q303), and applied to the MIC AMP (Q302, 304). The amplified MIC signals are passed through the mode SW (IC301) which toggles the MIC line according to the operating mode; FM or DV. The MIC signals are applied to the IDC (Instance Deviation Controller; IC302) circuit which limits the amplitude of MIC signals (=deviation) to prevent over deviation.

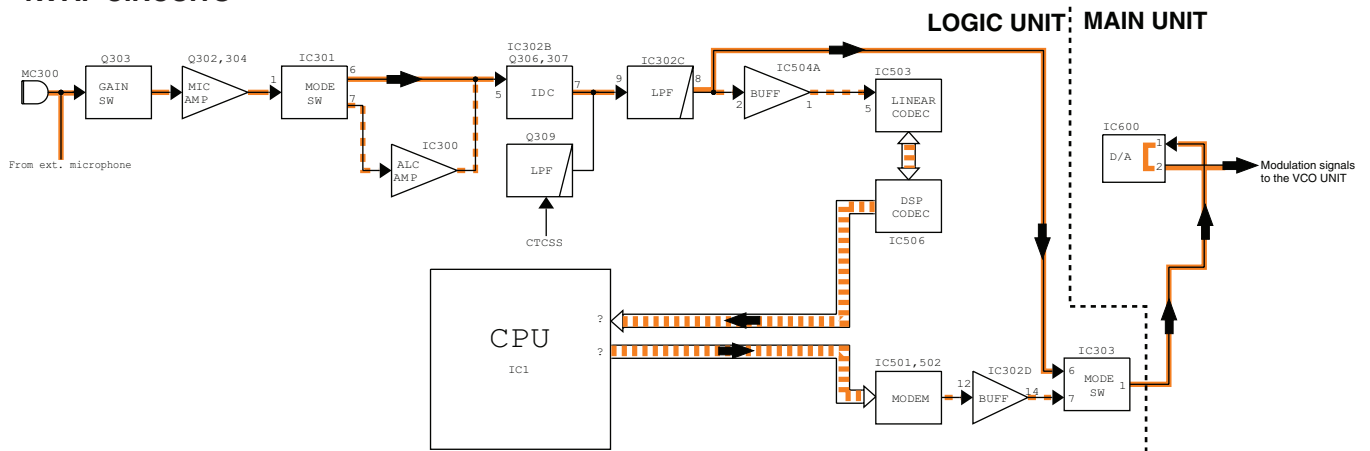
The amplitude-limited MIC signals are passed through the splatter filter (IC302) which cuts off the 3 kHz and higher audio signals. The frequency-limited MIC signals are entered to the MAIN UNIT via the mode SW (IC303), then applied to the DAC (M: IC600) for level (deviation) adjustment. The level-adjusted MIC signals are applied to the modulation circuits.

• DV MODE

The MIC signals from the microphone (MC300) are passed through the MIC gain SW (Q303) and applied to the MIC AMP (Q302, 304). The amplified MIC signals are applied to the ALC AMP (IC300) which automatically adjusts the level of MIC signals to stable for digital processing, via the mode SW (IC301). The level-adjusted MIC signals are applied to the IDC circuit (IC302) for amplitude-limiting. The amplitude-limited MIC signals are passed through the splatter filter (IC302) which cuts off the 3 kHz and higher audio signals.

The frequency-limited MIC signals are applied to the liner CODEC IC (IC503) via the buffer (IC504A), and encoded into the digital audio signal. The digital audio signal is then applied to the DSP CODEC IC (IC506) and converted into the AMBE signal. The AMBE signal is applied to the modem IC (IC501) via the CPU (IC1). The modem IC converts the AMBE signal into the analog signal, and output to the DAC (IC600, pin 1) via the buffer (IC302D) and the mode SW (IC303). The tone signal is level-adjusted by DAC (M: IC600), then applied to the modulation circuits as the modulation signals.

• TX AF CIRCUITS



MODULATION CIRCUITS (VCO UNIT)

The modulation signals from the DAC (M: IC600, pin 2) are entered to the VCO UNIT, and applied to the variable capacitors of VCOs.

• OPERATING ON VHF BAND

The modulation signals are applied to the D55 of the VHF VCO (Q51, D51, 54) to obtain FM modulation. The FM-modulated VCO output is buffer-amplified by Q200, amplified by Q201 then entered to the RF UNIT as TX signal.

• OPERATING ON UHF BAND

The modulation signals are applied to the D100 of the UHF VCO (Q101, D101, 104) to obtain FM modulation. The FM-modulated VCO output is buffer-amplified by Q200, amplified by Q201 then entered to the RF UNIT as TX signal.

TX AMPLIFIERS (RF UNIT)

TX signal from VCO UNIT is applied to the LO AMP (IC100) via the LO SW (D100). The amplified TX signal is passed through the ATT (D158, 159) which is a part of the APC circuit. The level-adjusted TX signal is amplified by YGR (Q102), drive (Q101) and power (Q100) amplifiers in sequence, to obtain TX output power. The power-amplified TX signal is passed through the TX filters, power detector and ANT SWs.

• OPERATION ON VHF BAND

The power-amplified TX signal from the power AMP (Q100) is passed through the LPF, power detector, ANT SW and two LPFs (as a harmonic filter), then applied to the antenna via ANT connector (CHASSIS; J1).

• OPERATION ON UHF BAND

The power-amplified TX signal from the power AMP (Q100) is passed through the BPF, power detector, ANT SW, HPF and LPF (as a harmonic filter), then applied to the antenna via ANT connector (CHASSIS; J1).

APC CIRCUIT (RF UNIT)

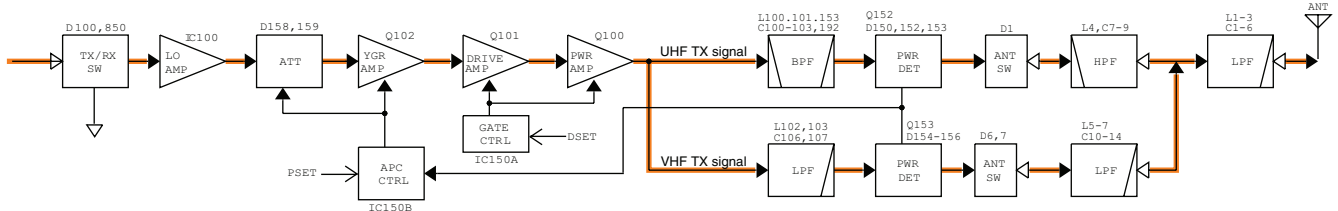
The APC (Automatic Power Control) circuit stabilizes transmit output power to prevent transmit output power level change which is caused by load mismatching or heat effect, etc.

TX signal is passed through the power detector (VHF; D154 –156/UHF; D150, 152,153). The power detector rectifies a portion of the TX signal and converts it into DC voltage which is in proportion to the transmit output power. The detected voltage is applied to the APC controller (IC150B). The TX power setting voltage “PSET” is applied to another input terminal as the reference voltage.

The output voltage is applied to the ATT (D158, 159) to control the attenuation level, to adjust the input level of the YGR AMP (Q102) so that the TX output power is stable.

The setting of TX power is carried out by applying voltage “DSET” to the APC controller (IC150A). The output voltage of the controller controls the bias of the drive and power AMPs to reduce/increase the gain of these amplifiers to set the TX output power to High, Mid., Low and S-Low.

• TX AMPLIFIERS AND APC CIRCUIT



4-3 FREQUENCY SYNTHESIZER CIRCUITS VCOs

This transceiver has total of five VCOs; one RX VCO and RX/TX VCOs on the VCO UNIT, and two RX VCOs on the MAIN UNIT.

<A BAND>

• BC BAND VCO (VCO UNIT; Q1, D1, 3, 5, 6)

The BC BAND VCO generates the 1st LO for BC band (0.495 –75.995 MHz) RX.

• VHF BAND VCO (VCO UNIT; Q51, D51, 54)

The VHF BAND VCO generates the 1st LO for VHF band (76 –173.995 MHz) RX, and also TX signal for the operation on the VHF band.

• UHF BAND VCO (VCO UNIT; Q101, D101, 104)

The UHF BAND VCO generates the LO for UHF band (174 –599.995 MHz) RX, and also TX signal for the operation on the UHF band.

When receiving 600 MHz and higher signals, the UHF BAND VCO oscillates 269.175–469.17 MHz 1st LO signals, and the output signal is doubled by the doubler (MAIN UNIT; Q850, D851) before being applied to the mixer (MAIN UNIT; IC900).

<B BAND>

• VHF BAND VCO (MAIN UNIT; Q301, D300, 301)

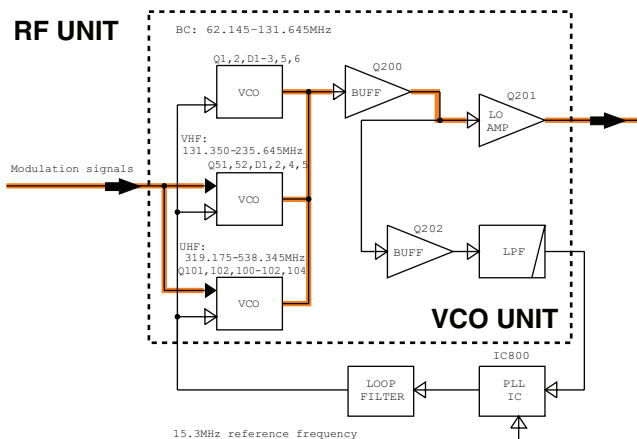
The VHF BAND VCO generates the 1st LO for VHF band (118–174 MHz) RX for B BAND.

• UHF BAND VCO (MAIN UNIT; Q351, D350, 352)

The UHF BAND VCO generates the 1st LO for UHF band (350–470 MHz) RX for B BAND.

• FREQUENCY SYNTHESIZER CIRCUITS (A BAND)

RF UNIT



PLLs

The PLL circuit provides stable oscillation for both of the transmit and 1st LO frequencies. By comparing the feedback VCO output and the reference frequency signal, the oscillating frequency is stabilized. The PLL output frequency is controlled by the serial data including divide ratio from the CPU.

<A BAND> (VCO AND MAIN UNITS)

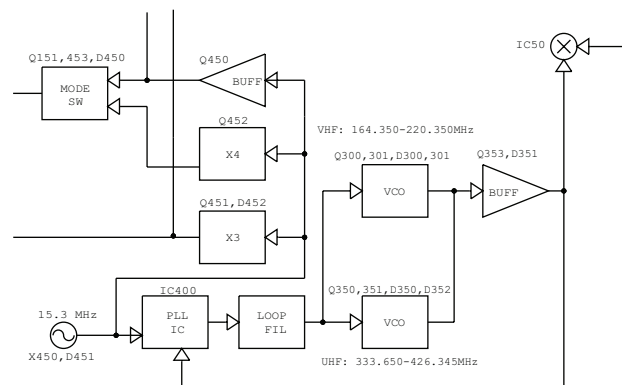
A portion of output signals from each VCO are feedback to the PLL IC (M: IC800) via buffers (V: Q200, 202) and LPF. The applied VCO outputs are divided by the prescaler and programmable divider, then phase-compared with divided reference frequency from X450 (MAIN). The phase difference is output via the charge pump, and applied to the VCOs as lock voltage via the loop filter.

<B BAND> (MAIN UNIT)

A portion of output signals from each VCO are feedback to the PLL IC (IC400) via buffer (Q353). The applied VCO outputs are divided by the prescaler and programmable divider, then phase-compared with divided reference frequency from X450. The phase difference is output via the charge pump, and applied to the VCOs as lock voltage via the loop filter.

When the oscillation frequency drifts, its phase changes from that of the reference frequency, causing a lock voltage change to compensate for the drift in the VCO oscillating frequency.

• FREQUENCY SYNTHESIZER CIRCUITS (B BAND)



4-4 CPU PORT ALLOCATION

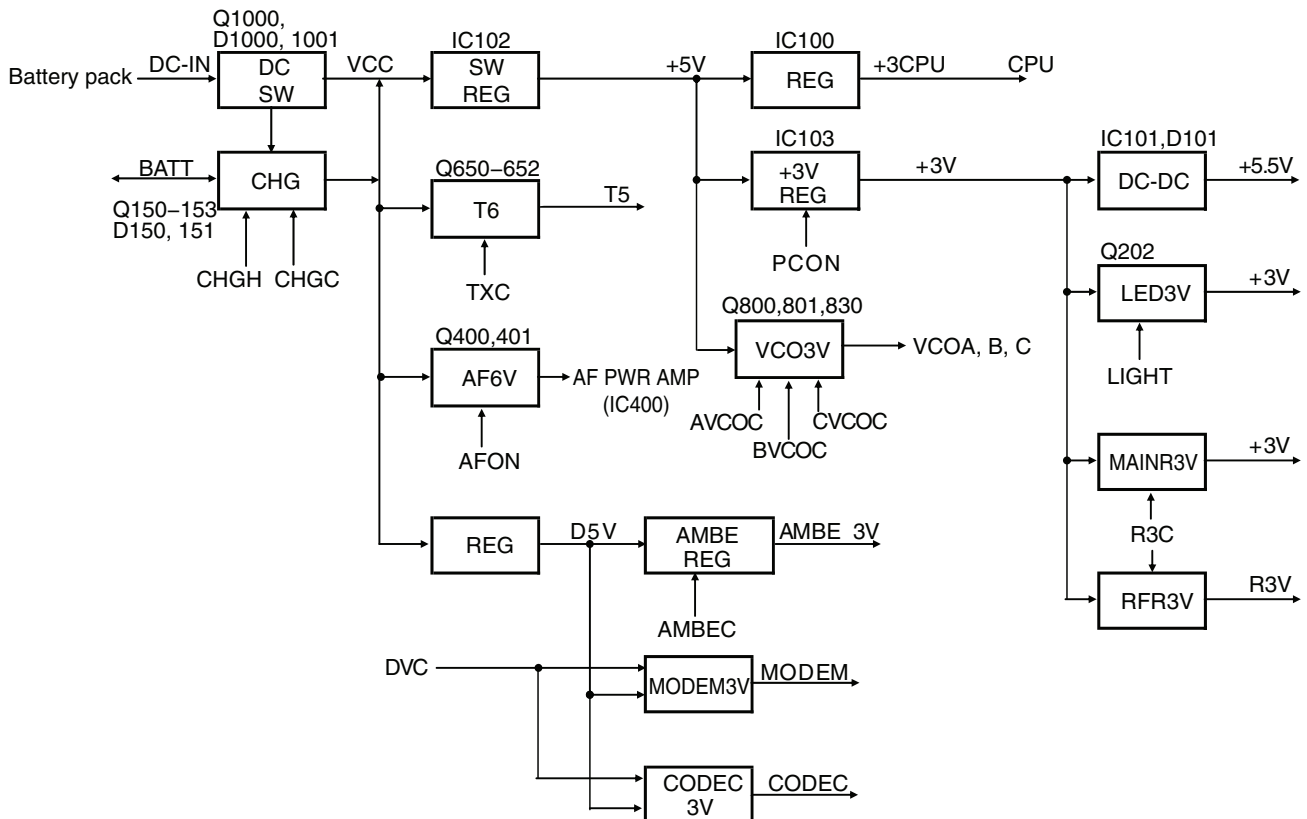
LINE NAME	DESCRIPTION	IN/OUT	STATUS	CONDITION
POWER	[POWER] key input. (Pull-up).	IN	L	–
PKEY	[PWR] key input (Pull-up).	IN	L	The key is pushed
DICK	[DIAL] input(Phase A).	IN	–	–
DIUD	[DIAL] input(Phase B).	IN	–	–
PTT	[PTT] key input (Pull-down).	IN	H	The key is pushed
SQL	[SQL] key input (Pull-up).	IN	L	The key is pushed
I0–I3	Initial matrix ports.	IN	–	–
KR0–KR4	Key detect signal. (Pushed bottom is detected according to the input voltage.)	IN	–	–
KS0–KS3	Key matrix ports.	OUT	–	–
ESIO	Serial data to the EEPROM.	IN/OUT	–	–
ECK	Clock to the EEPROM.	OUT	–	–
TXC	T6 line regulator (M: Q650–652) control signal.	OUT	H	While transmitting.
BLED	[BUSY] LED driver (L: Q201) control signal.	OUT	H	RX(Squelch open)
LIGHT	LCD/Key backlight driver (L: Q202) control signal.	OUT	L	Lights ON.
LCDDT	Serial data to the LCD driver (L: DS1).	OUT	–	–
LCDCS	Chip select signal to the LCD driver (L: DS1).	OUT	–	–
LCDCK	Clock to the LCD driver (L: DS1).	OUT	–	–
LCDRS	Strobe signal to the LCD driver (L: DS1).	OUT	–	–
LCDRES	Reset signal to the LCD driver (L: DS1).	OUT	–	–
AMBEC	DSP IC power line regulator (L:IC508) control signal.	OUT	H	In DV mode operation.
DVC	Liner CODEC IC power line regulator (L: Q503,504) control signal.	OUT	H	In DV mode operation.
TX232	RS-232 data (TXD).	OUT	–	–
RX232	RS-232 data (RXD).	IN	–	–
TXCK	TX clock to the modem (L: IC501).	IN	–	–
TXDT	TX data to the modem (L: IC501).	OUT	–	–
RXCK	RX clock to the modem (L: IC501).	IN	–	–
RXDT	RX data to the modem (L: IC501).	IN	–	–
ACQ	ACQ signal to the modem (L: IC501).	OUT	H	Synchronized
DCEL	DCEL signal to the modem (L: IC501).	OUT	H	Synchronized
AMBERES	Reset signal to the liner CODEC IC and DSP CODEC IC (L: IC503 and IC506).	OUT	–	–
AMBECLK	AMBE clock signal to the DSP CODEC IC (L: IC506).	OUT	–	–
AMBESTB	AMBE strobe signal to the DSP CODEC IC (L: IC506).	OUT	–	–
AMBETXD	AMBE TX data to the DSP CODEC IC (L: IC506).	OUT	–	–
AMBERXD	AMBE RX data to the DSP CODEC IC (L: IC506).	IN	–	–
AMBEEPR	AMBE EPR signal to the DSP CODEC IC (L: IC506).	IN	–	–
CLSFT	Clock frequency shift signal to the clock oscillator (L:X1, D13).	OUT	H	
DICK2	[DIAL] (VR) input (Phase A).	IN	–	–
DIUD2	[DIAL] (VR) input (Phase B).	IN	–	–
CHGC	Charging control signal to the charge circuit (L:Q150–153, D150, 151)	OUT	H	While charging.
CHGH	Charging current control signal to the charging controller (L: Q150, 152).	OUT	H	Charging current increase.
CPUHV	External power supply detection.	IN	L	External power supply is connected.
AFON	Control signal to the AF power AMP controller (L: Q400, 401).	OUT	H	AF power AMP (L: IC400) is activated (Squelch open).
BATT	Power supply select signal to the power supply selector (L: IC50, Q53).	OUT	H/L	H=Operated by the battery pack. L=Operated by an external power source.
SPSW	Speaker select signal to the Internal speaker SW (L: Q402–405).	OUT	–	–
ANOIS	Noise detect signal from the A BAND IF IC (M: IC100).	IN	–	–
BNOIS	Noise detect signal from the B-AND IF IC (M: IC200).	IN	–	–
CK	Common clock signal to the the PLL ICs and DAC (LMX2313/ME15E03SL/M62352AGP).	OUT	–	–
DATA	Common serial data to the PLL ICs and DAC (LMX2313/ME15E03SL/M62352AGP).	OUT	–	–

4-4 CPU PORT ALLOCATION (continued)

LINE NAME	DESCRIPTION	IN/OUT	STATUS	CONDITION
DASTB1	Strobe signal to the DAC (R: IC950).	OUT	-	-
DASTB2	Strobe signal to the DAC (M: IC600).	OUT	-	-
IOSTB1	Strobe signal to the expander (R: IC951).	OUT	-	-
IOSTB3	Strobe signal to the expanders (M: IC701, 702).	OUT	-	-
IOSTB4	Strobe signal to the expander (L: IC53).	OUT	-	-
APLLSTB	Strobe signal to the A BAND PLL IC (M: IC800).	OUT	-	-
BPLLSTB	Strobe to the B BAND PLL IC (M: IC400).	OUT	-	-
BPS	Power save mode control signal to the A/B BAND PLL ICs (M: IC800/IC400).	OUT	L	In power save mode.
UNLK	Unlock signal from the A BAND PLL IC (M: IC800).	IN	H	PLL is locked.
CLIN	Key detect signal. (Pushed bottom is detected by referring input voltage.)	IN	A/D	-
ATONE	Tone signals; tone and WX A BAND.	IN	A/D	-
BTONE	Tone signals; tone and WX B BAND.	IN	A/D	-
VIN	DC voltage divided by the voltage detect resistors (L: R159 and R160). (Remaining battery capacity detection.)	IN	A/D	-
OPTV	External device detect.	IN	A/D	-
TEMP	The voltage in proportion to the internal temperature. The voltage divided by R66 (thermistor; LOGIC) and R67 (LOGIC).	IN	A/D	-
S-TXV	<ul style="list-style-type: none"> While operated by battery RSSI voltage from the IF IC (M: IC100). While perated by external power supply Current in TX from the I-V converter (M: IC704). 	IN	A/D	-
BRSSI	RSSI voltage from the B BAND IF IC (M: IC200).	IN	A/D	-
CTCOUT	CTCSS/DTCS signals.	OUT	D/A	-
DTMF	Tone signals; DTMF, EUR tone,	OUT	D/A	-
RESET	Reset signal from the reset IC (L:IC100).	IN	H	-

4-5 VOLTAGE BLOCK DIAGRAMS

Voltage from the attached battery pack is routed to the whole of the transceiver via regulators and switches.



SECTION 5 ADJUSTMENT PROCEDURE

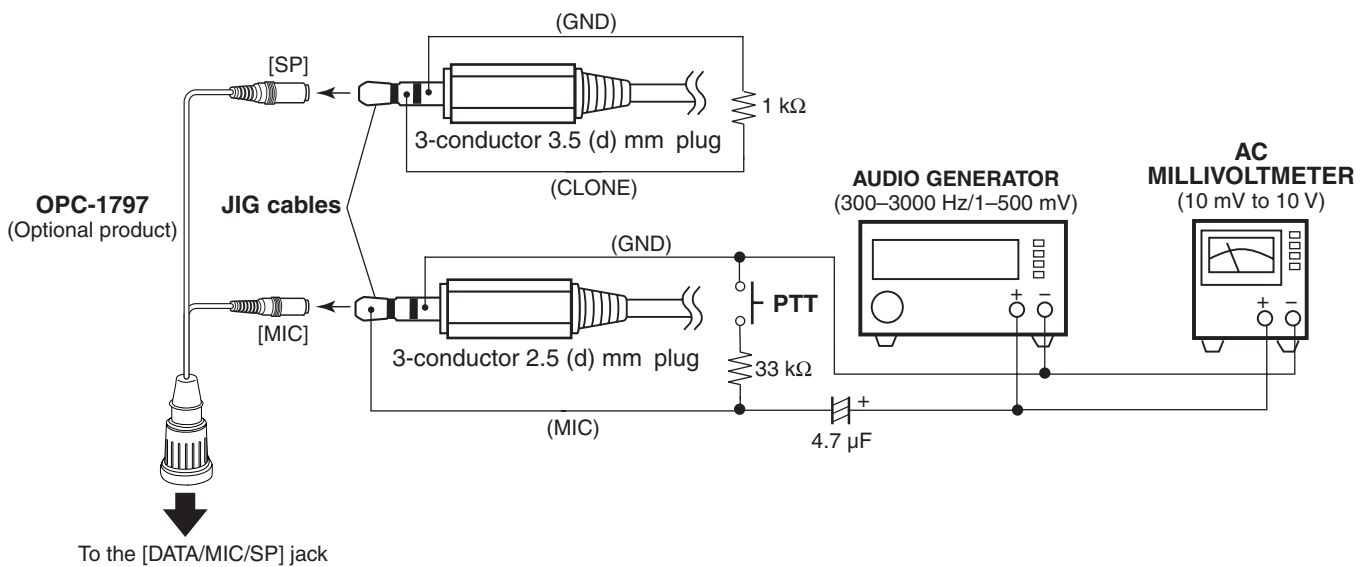
5-1 PREPARATION

■ REQUIRED INSTRUMENTS

INSTRUMENTS	SPECIFICATION	INSTRUMENTS	SPECIFICATION
DC Cable	OPC-254L (Optional product)	JIG cable	(See the illust below)
Power Supply	Output voltages : 5.0–13.5 V DC Current capacity : More than 3 A	Multimeter	Input impedance : 50 k Ω Measuring range : 0.1–10V/0.01–5 A
RF Power Meter (terminated type)	Measuring range : 0.1–10 W Frequency range : 100–500 MHz Impedance : 50 Ω SWR : Less than 1.2 : 1	Standard Signal Generator (SSG)	Frequency range : 0.1–1000 MHz Output level : 0.04 μ V to 32 mV (–28 dBu to 90 dBu)
Frequency Counter	Frequency range : 0.1–600 MHz Frequency accuracy : \pm 1 ppm or better Input level : Less than 1 mW	AC Millivoltmeter	Measuring range : 10 mV to 10 V
		Attenuator	Power attenuation : 30 dB Capacity : More than 10 W
Modulation Analyzer	Frequency range : 30–600 MHz Measuring range : 0 to \pm 10 kHz	Audio Generator	Frequency range : 300–3000 Hz Output level : 1–500 mV

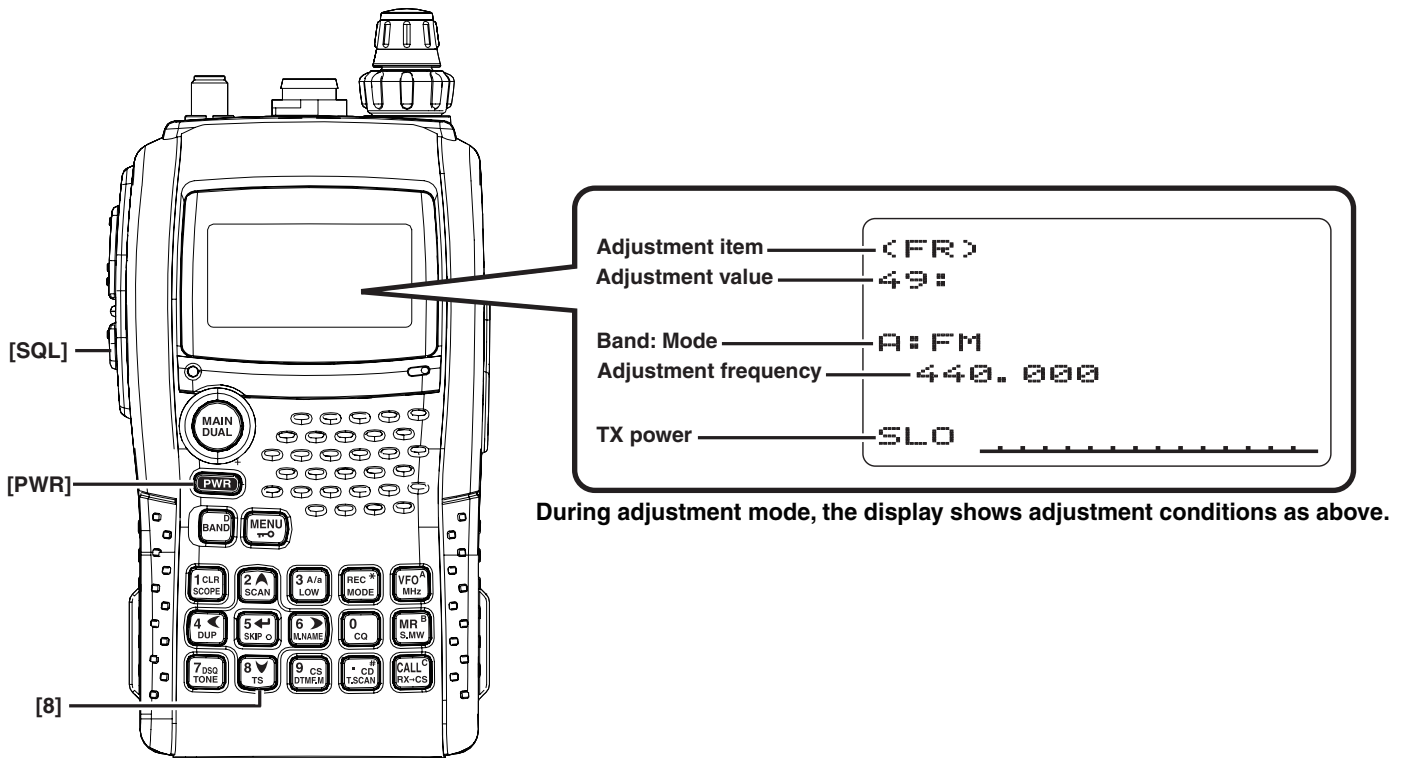
CAUTION!: BACK UP originally programmed contents (Memory channels, Common settings, etc.) in the transceiver using optional RS-92 REMOTE CONTROL SOFTWARE before starting adjustment.
When all adjustments are completed, these contents in the transceiver will be cleared.

■ JIG CABLE CONNECTION

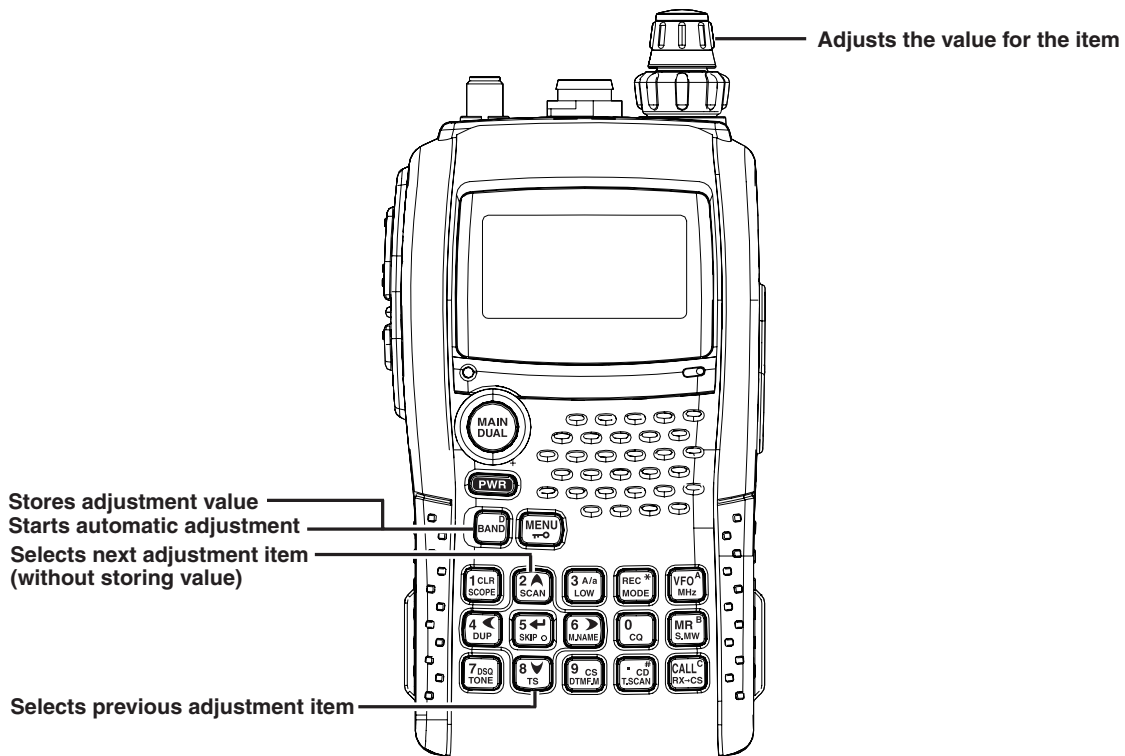


ENTERING ADJUSTMENT MODE

- ① Turn the power OFF.
- ② Connect the JIG cable to the [DATA/SP/MIC] jack.
- ③ While pushing [SQL] and [8] keys, turn the power ON.



KEY ASSIGNMENTS FOR THE ADJUSTMENT MODE



QUITTING ADJUSTMENT MODE

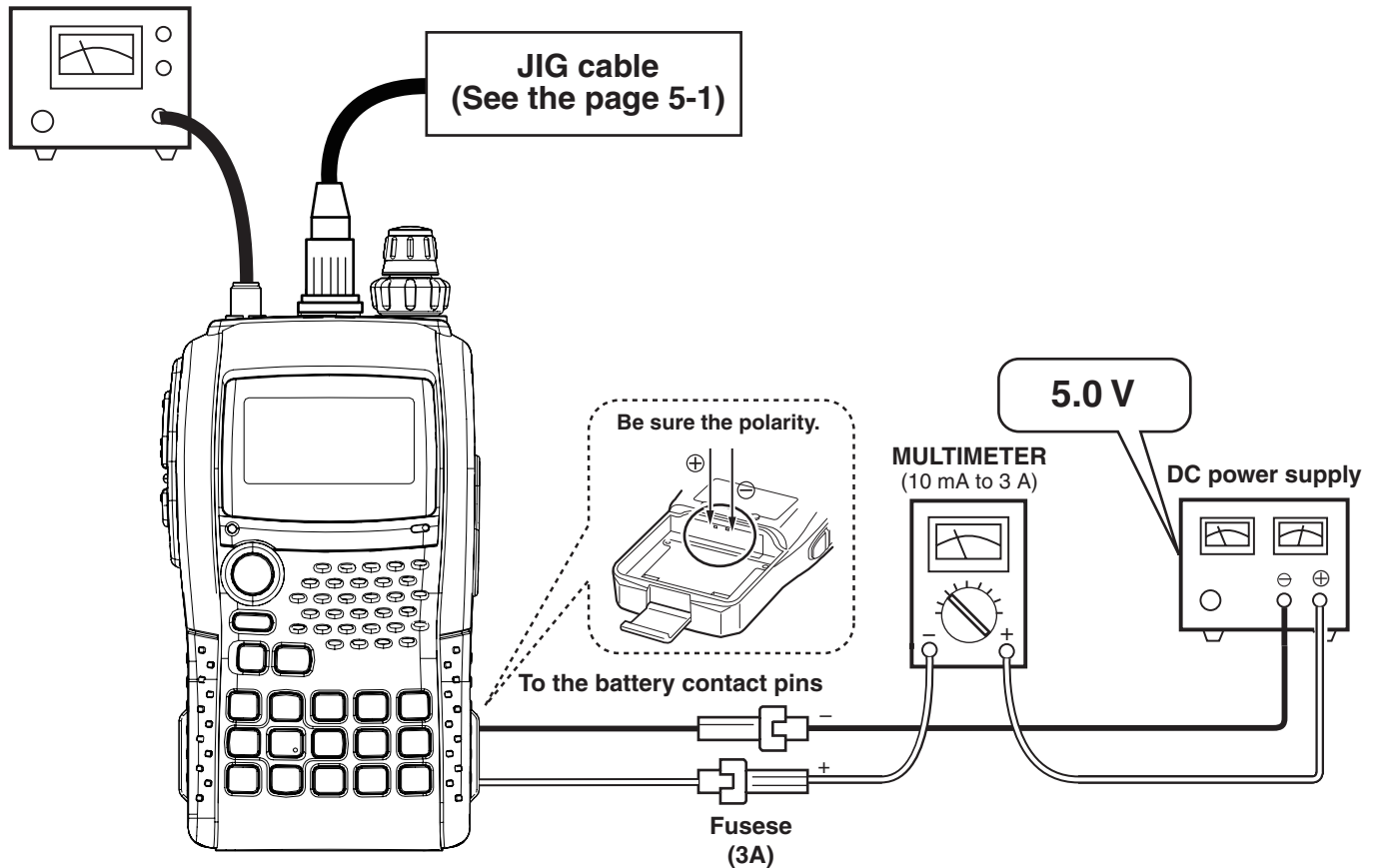
- ① Turn the power OFF.
- ② While pushing [VFO], [MR] and [BAND] keys, turn the power ON. (All reset)

5-2 TRANSMIT AMPLIFIER ADJUSTMENT

Select an adjustment item using [2] / [8] keys, then set the adjustment value as specified using [DIAL].

ADJUSTMENT	ADJUSTMENT CONDITION	OPERATION	ADJUSTMENT ITEM	VALUE
IDLING CURRENT (@5.0 V) [PREPARATION]	0 • Supply voltage : 5.0 V	1) Connect an RF power meter to the antenna connector. 2) Connect a multimeter between the external power supply and transceiver.	-	-
[VHF BAND]	1 • Displayed freq. : "146.000" • Transmitting	• Adjust the current using [DIAL], then release the PTT and push [BAND] to store the adjustment value.	[id]	200-300 mA
[UHF BAND]	2 • Displayed freq. : "445.000" • Transmitting			
TRANSMIT POWER (@5.0 V) [VHF (BAND LOW)]	1 • Displayed freq. : "144.000" • TX power : "SLO" • Transmitting	• Adjust the TX power using [DIAL], then release the PTT and push [BAND] to store the adjustment value.	[Po]	50-150 mW
[VHF (BAND HIGH)]	2 • Displayed freq. : "148.000" • TX power : "SLO" • Transmitting			
[UHF (BAND LOW)]	3 • Displayed freq. : "440.000" • TX power : "SLO" • Transmitting			
[UHF (BAND HIGH)]	4 • Displayed freq. : "450.000" • TX power : "SLO" • Transmitting			

RF POWER METER
(10 W/50 Ω)

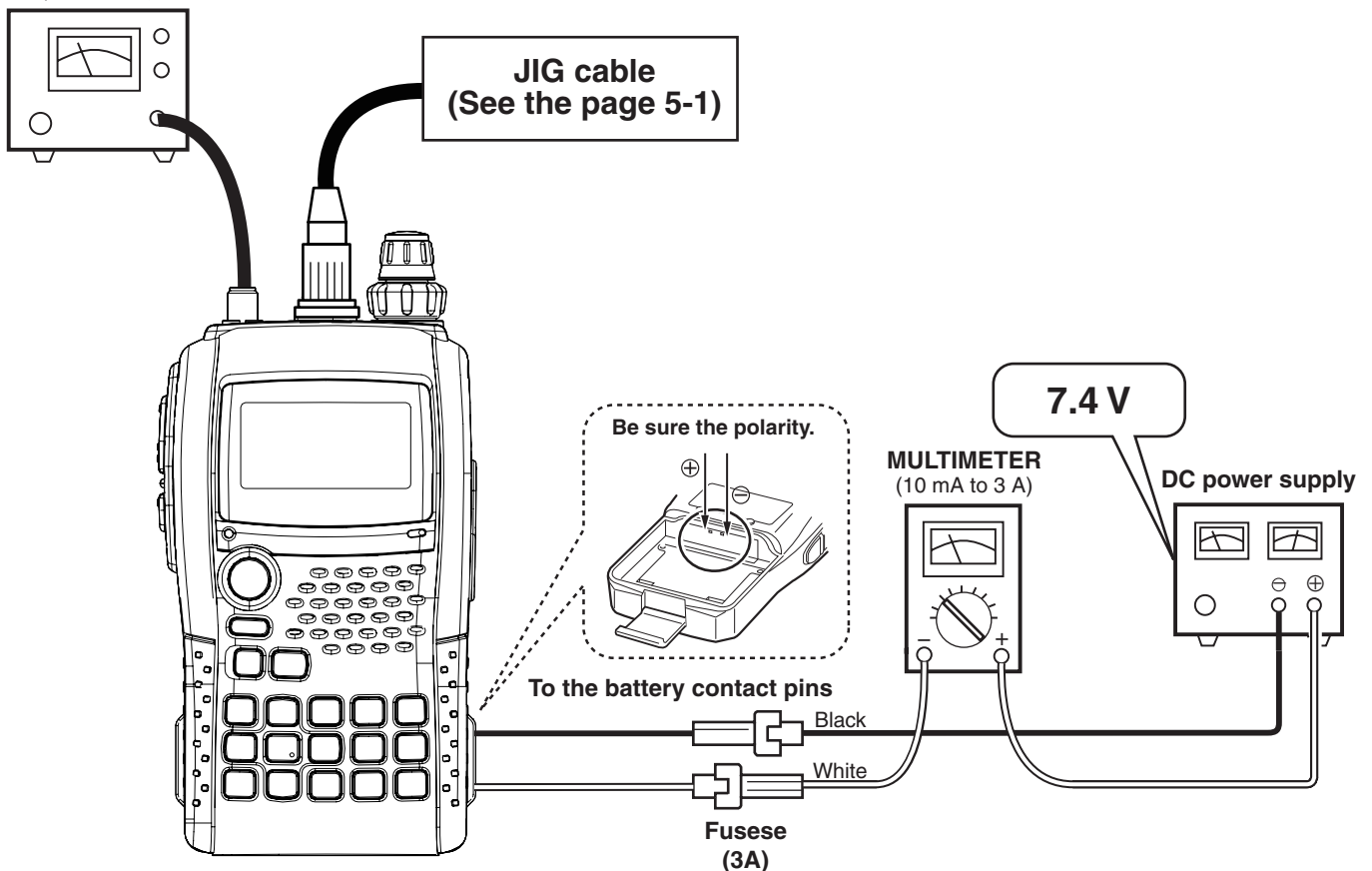


5-2 TRANSMIT AMPLIFIER ADJUSTMENT (continued)

Select an adjustment item using [2] / [8] keys, then set the adjustment value as specified using [DIAL].

ADJUSTMENT	ADJUSTMENT CONDITION	OPERATION	ADJUSTMENT ITEM	VALUE
IDLING CURRENT (@7.4 V) [PREPARATION]	0 • Supply voltage : 7.4 V	1) Connect an RF power meter to the antenna connector. 2) Connect a multimeter between the external power supply and transceiver.	–	–
[VHF BAND] (Hi power)	1 • Displayed freq. : "146.000" • TX power : "Hi" • Transmitting	• Adjust the current using [DIAL], then release the PTT and push [BAND] to store the adjustment value.	[id]	1.1– 1.2 A
(Mid power)	2 • Displayed freq. : "146.000" • TX power : "Mid" • Transmitting			600–700 mA
(Low power)	3 • Displayed freq. : "146.000" • TX power : "Low" • Transmitting			200–300 mA
(S-Low power)	4 • Displayed freq. : "146.000" • TX power : "SLO" • Transmitting			200–300 mA
[UHF BAND] (Hi power)	5 • Displayed freq. : "445.000" • TX power : "Hi" • Transmitting			1.1– 1.2 A
(Mid power)	6 • Displayed freq. : "445.000" • TX power : "Mid" • Transmitting			600–700 mA
(Low power)	7 • Displayed freq. : "445.000" • TX power : "Low" • Transmitting			200–300 mA
(S-Low power)	8 • Displayed freq. : "445.000" • TX power : "SLO" • Transmitting			200–300 mA

RF POWER METER
(10 W/50 Ω)

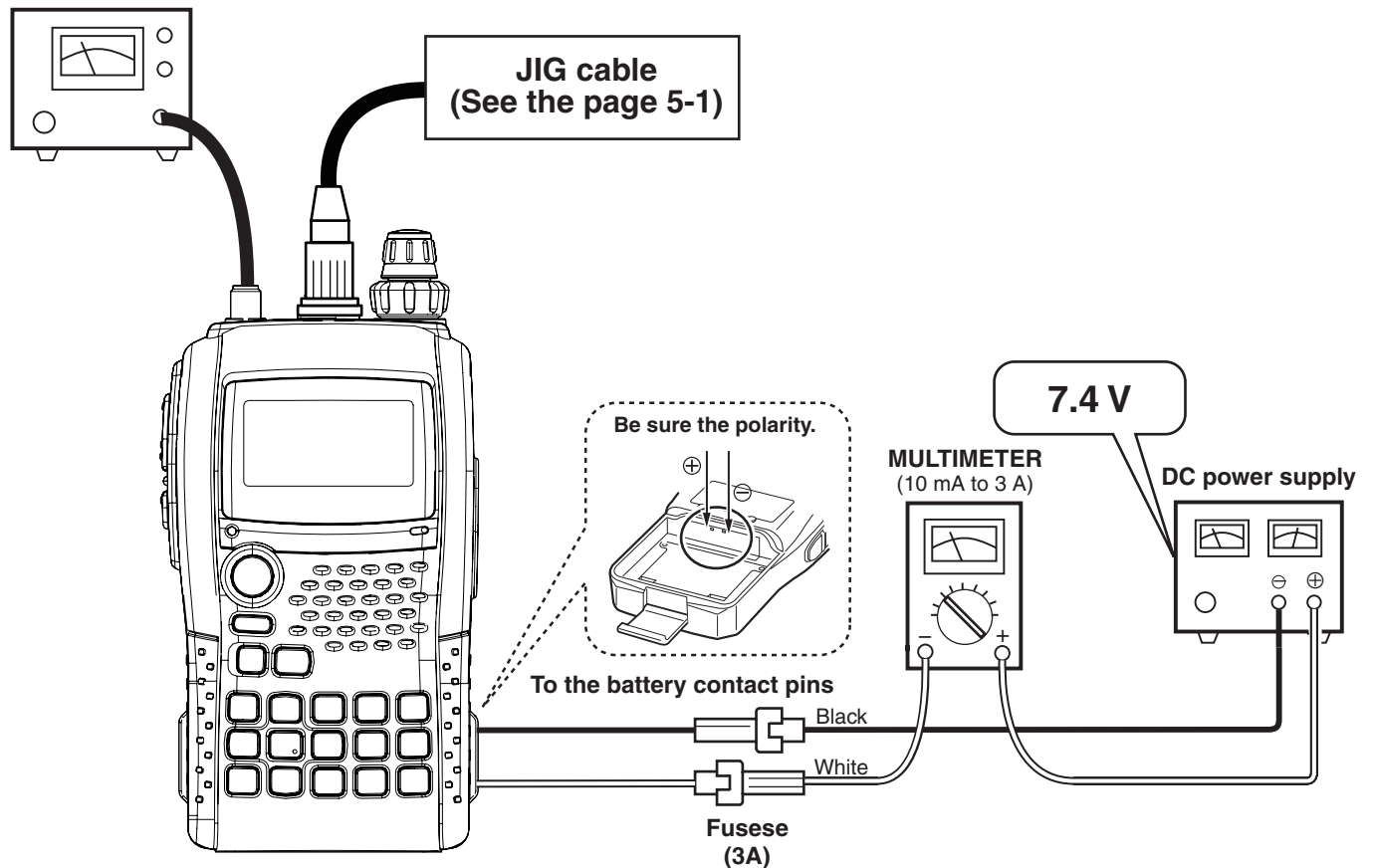


5-2 TRANSMIT AMPLIFIER ADJUSTMENT (continued)

Select an adjustment item using [2] / [8] keys, then set the adjustment value as specified using [DIAL].

ADJUSTMENT	ADJUSTMENT CONDITION	OPERATION	ADJUSTMENT ITEM	VALUE
TRANSMIT POWER (@7.4 V) [PREPARATION]	0 • Supply voltage : 7.4 V	1) Connect an RF power meter to the antenna connector. 2) Connect a multimeter between the external power supply and transceiver.	–	–
(Hi power) [VHF (BAND LOW)]	1 • Displayed freq. : "144.000" • TX power : "Hi" • Transmitting	• Adjust the TX power using [DIAL], then release the PTT and push [BAND] to store the adjustment value.	[Po]	4.8–5.2 W
[VHF (BAND HIGH)]	• Displayed freq. : "148.000" • TX power : "Hi" • Transmitting			
(Mid power) [VHF (BAND LOW)]	2 • Displayed freq. : "144.000" • TX power : "Mid" • Transmitting			
[VHF (BAND HIGH)]	• Displayed freq. : "148.000" • TX power : "Mid" • Transmitting			
(Low power) [VHF (BAND LOW)]	3 • Displayed freq. : "144.000" • TX power : "Low" • Transmitting			
[VHF (BAND HIGH)]	• Displayed freq. : "148.000" • TX power : "Low" • Transmitting			
(S-Low power) [VHF (BAND LOW)]	4 • Displayed freq. : "144.000" • TX power : "SLO" • Transmitting			50–150 mW
[VHF (BAND HIGH)]	• Displayed freq. : "148.000" • TX power : "SLO" • Transmitting			

RF POWER METER
(10 W/50 Ω)

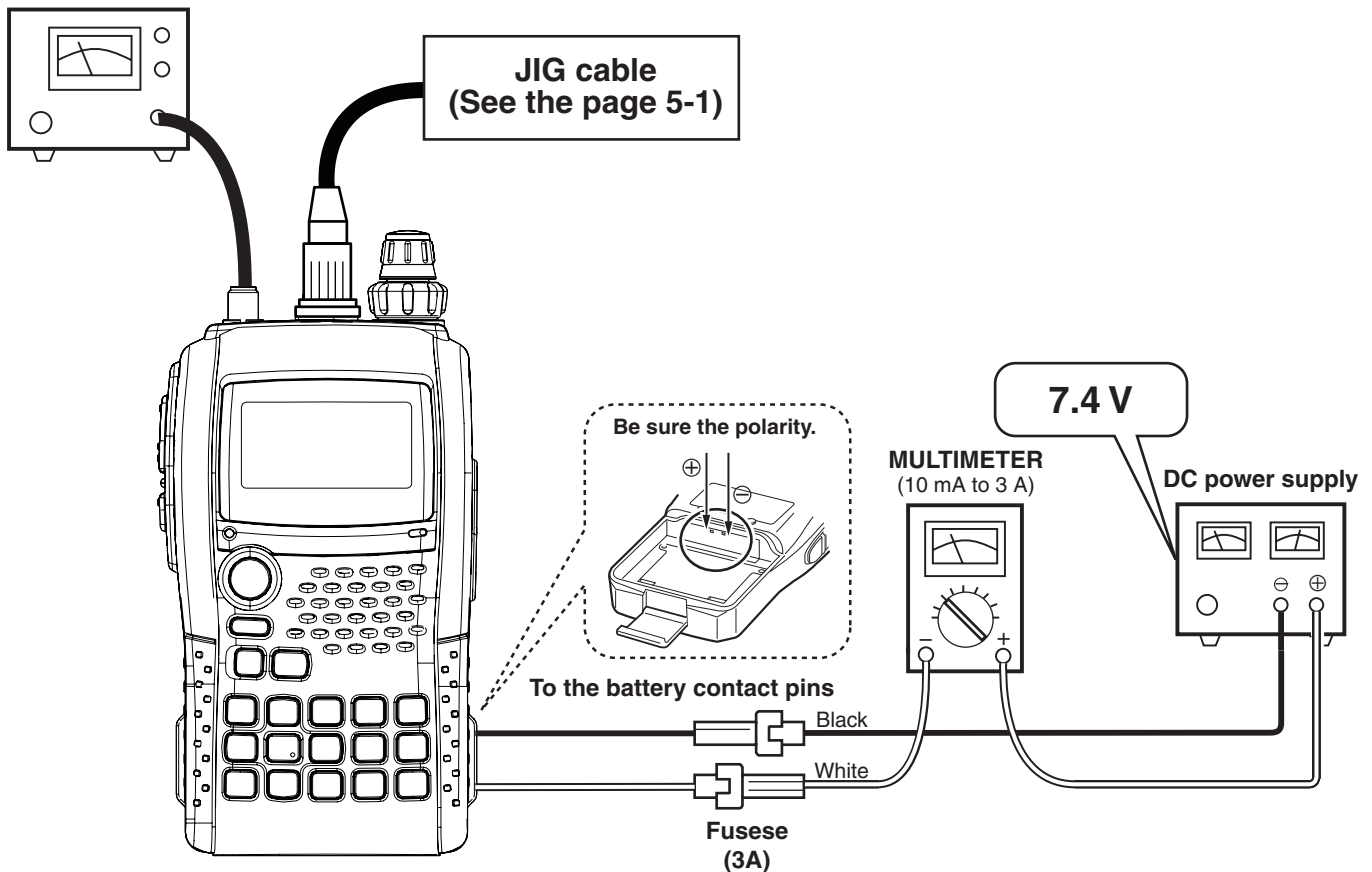


5-2 TRANSMIT AMPLIFIER ADJUSTMENT (continued)

Select an adjustment item using [2] / [8] keys, then set the adjustment value as specified using [DIAL].

ADJUSTMENT	ADJUSTMENT CONDITION	OPERATION	ADJUSTMENT ITEM	VALUE
TRANSMIT POWER (@7.4 V) [PREOARATION]	0 • Supply voltage : 7.4 V	1) Connect an RF Power Meter to the antenna connector. 2) Connect a multimeter between the external power supply and transceiver.	-	-
(Hi power) [UHF (BAND LOW)]	1 • Displayed freq. : "440.000" • TX power : "Hi" • Transmitting	• Adjust the TX power using [DIAL], then release the PTT and push [BAND] to store the adjustment value.	[Po]	4.8-5.2 W
[UHF (BAND HIGH)]	2 • Displayed freq. : "450.000" • TX power : "Hi" • Transmitting			
(Mid power) [UHF (BAND LOW)]	3 • Displayed freq. : "440.000" • TX power : "Mid" • Transmitting			2.3-2.7 W
[UHF (BAND HIGH)]	4 • Displayed freq. : "450.000" • TX power : "Mid" • Transmitting			
(Low power) [UHF (BAND LOW)]	5 • Displayed freq. : "440.000" • TX power : "Low" • Transmitting			0.4-0.6 W
[UHF (BAND HIGH)]	6 • Displayed freq. : "450.000" • TX power : "Low" • Transmitting			
(S-Low power) [UHF (BAND LOW)]	7 • Displayed freq. : "440.000" • TX power : "SLO" • Transmitting			50-150 mW
[UHF (BAND HIGH)]	8 • Displayed freq. : "450.000" • TX power : "SLO" • Transmitting			

RF POWER METER
(10 W/50 Ω)

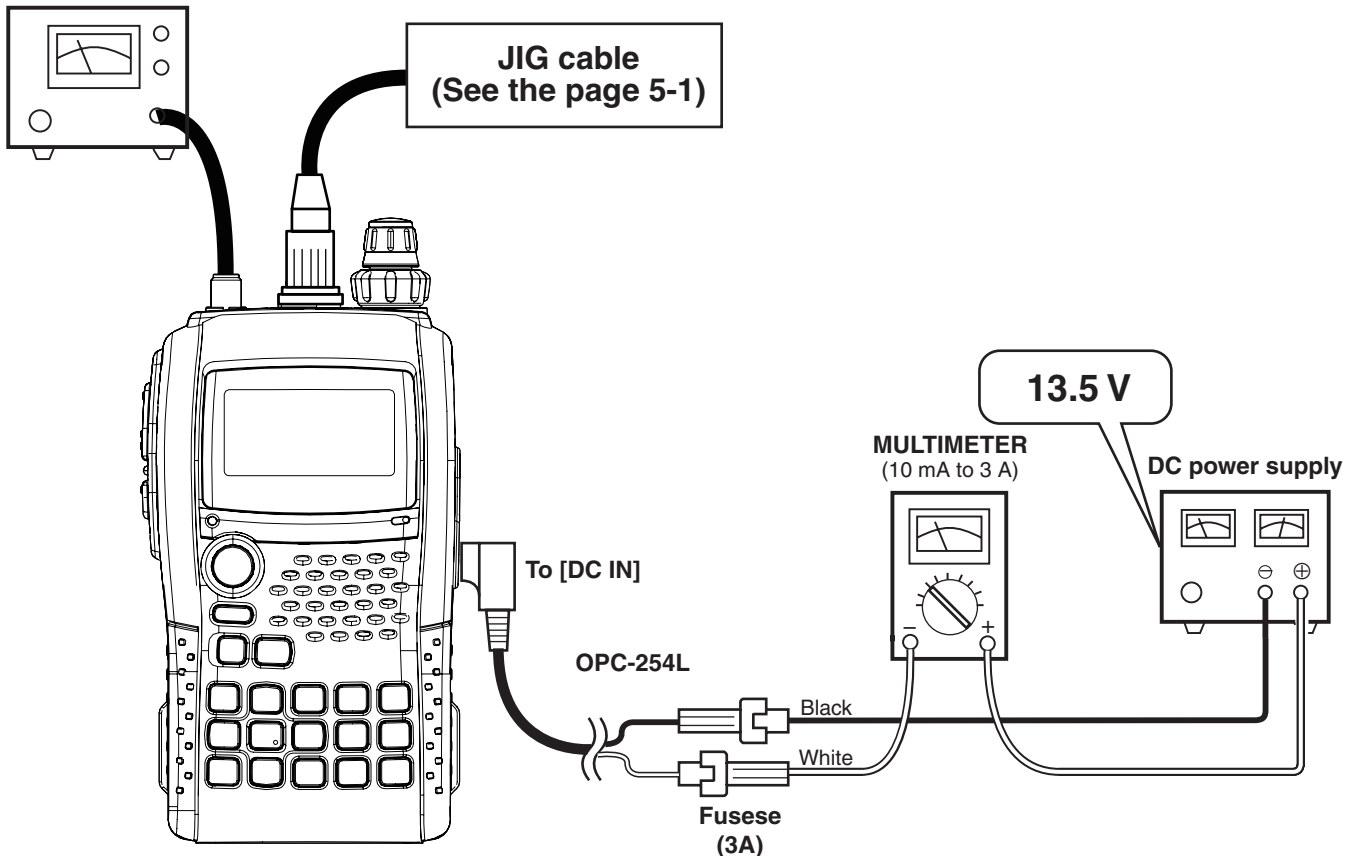


5-2 TRANSMIT AMPLIFIER ADJUSTMENT (continued)

Select an adjustment item using [2] / [8] keys, then set the adjustment value as specified using [DIAL].

ADJUSTMENT	ADJUSTMENT CONDITION	OPERATION	ADJUSTMENT ITEM	VALUE
IDLING CURRENT (@13.5 V) [PREOARATION]	0 • Supply voltage : 13.5 V (supplying from [DC IN])	1) Connect an RF Power Meter to the antenna connector. 2) Connect a Multimeter between the external power supply and transceiver. 3) Set the item [Po] to "00."	[Po]	"00"
[VHF BAND] (Hi power)	1 • Displayed freq. : "146.000" • TX power : "Hi" • Transmitting	• Adjust the current using [DIAL], then release the PTT and push [BAND] to store the adjustment value.	[id]	650–750 mA
(Mid power)	2 • Displayed freq. : "146.000" • TX power : "Mid" • Transmitting			350–450 mA
(Low power)	3 • Displayed freq. : "146.000" • TX power : "Low" • Transmitting			200–300 mA
(S-Low power)	4 • Displayed freq. : "146.000" • TX power : "SLO" • Transmitting			850–950 mA
[UHF BAND] (Hi power)	5 • Displayed freq. : "445.000" • TX power : "Hi" • Transmitting			350–450 mA
(Mid power)	6 • Displayed freq. : "445.000" • TX power : "Mid" • Transmitting			200–300 mA
(Low power)	7 • Displayed freq. : "445.000" • TX power : "Low" • Transmitting			
(S-Low power)	8 • Displayed freq. : "445.000" • TX power : "SLO" • Transmitting			

RF POWER METER
(10 W/50 Ω)

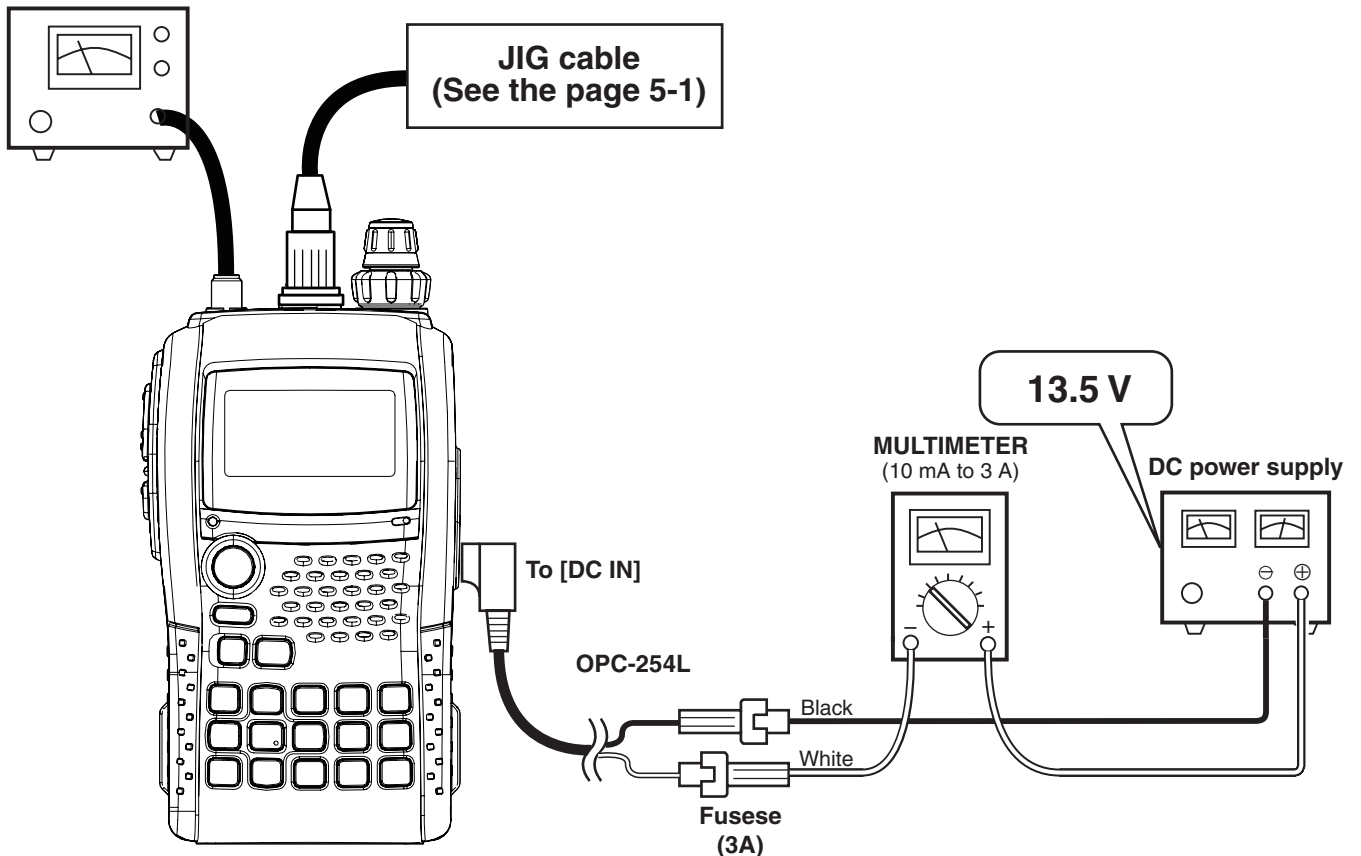


5-2 TRANSMIT AMPLIFIER ADJUSTMENT (continued)

Select an adjustment item using [2] / [8] keys, then set the adjustment value as specified using [DIAL].

ADJUSTMENT	ADJUSTMENT CONDITION	OPERATION	ADJUSTMENT ITEM	VALUE
TRANSMIT POWER (@13.5 V) [PREORATION]	0 • Supply voltage : 13.5 V (supplying from [DC IN])	• Connect an RF Power Meter to the antenna connector.		
(Hi power) [VHF (BAND LOW)]	1 • Displayed freq. : "144.000" • TX power : "Hi" • Transmitting	• Adjust the TX power using [DIAL], then release the PTT and push [BAND] to store the adjustment value.	[Po]	4.8–5.2 W
[VHF (BAND HIGH)]	2 • Displayed freq. : "146.000" • TX power : "Hi" • Transmitting			
(Mid power) [VHF (BAND LOW)]	3 • Displayed freq. : "144.000" • TX power : "Mid" • Transmitting			2.3–2.7 W
[VHF (BAND HIGH)]	4 • Displayed freq. : "146.000" • TX power : "Mid" • Transmitting			
(Low power) [VHF (BAND LOW)]	5 • Displayed freq. : "144.000" • TX power : "Low" • Transmitting			0.4–0.6 W
[VHF (BAND HIGH)]	6 • Displayed freq. : "146.000" • TX power : "Low" • Transmitting			
(S-Low power) [VHF (BAND LOW)]	7 • Displayed freq. : "144.000" • TX power : "SLO" • Transmitting			50–150 mW
[VHF (BAND HIGH)]	8 • Displayed freq. : "146.000" • TX power : "SLO" • Transmitting			

RF POWER METER
(10 W/50 Ω)

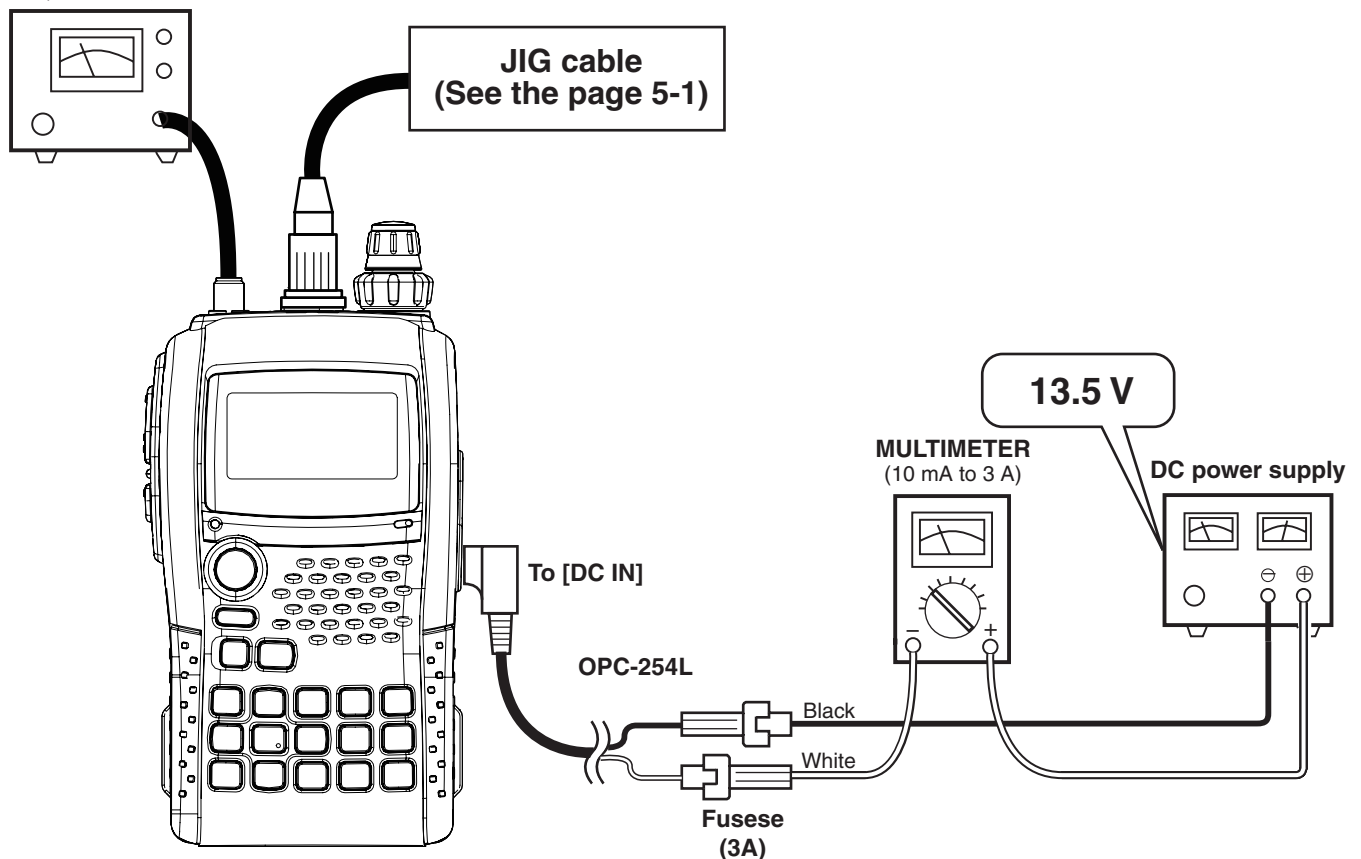


5-2 TRANSMIT AMPLIFIER ADJUSTMENT (continued)

Select an adjustment item using [2] / [8] keys, then set the adjustment value as specified using [DIAL].

ADJUSTMENT	ADJUSTMENT CONDITION	OPERATION	ADJUSTMENT ITEM	VALUE
TRANSMIT POWER (@13.5 V) [PREPARATION]	0 • Supply voltage : 13.5 V (supplying from [DC IN])	1) Connect an RF Power Meter to the antenna connector. 2) Set the power supply voltage to 13.5 V.	-	-
(Hi power) [UHF (BAND LOW)]	1 • Displayed freq. : "440.000" • TX power : "Hi" • Transmitting	• Adjust the TX power using [DIAL], then release the PTT and push [BAND] to store the adjustment value.	[Po]	4.8–5.2 W
[UHF (BAND HIGH)]	2 • Displayed freq. : "450.000" • TX power : "Hi" • Transmitting			
(Mid power) [UHF (BAND LOW)]	3 • Displayed freq. : "440.000" • TX power : "Mid" • Transmitting			2.3–2.7 W
[UHF (BAND HIGH)]	4 • Displayed freq. : "450.000" • TX power : "Mid" • Transmitting			
(Low power) [UHF (BAND LOW)]	5 • Displayed freq. : "440.000" • TX power : "Low" • Transmitting			0.4–0.6 W
[UHF (BAND HIGH)]	6 • Displayed freq. : "450.000" • TX power : "Low" • Transmitting			
(S-Low power) [UHF (BAND LOW)]	7 • Displayed freq. : "440.000" • TX power : "SLO" • Transmitting			50–150 mW
[UHF (BAND HIGH)]	8 • Displayed freq. : "450.000" • TX power : "SLO" • Transmitting			

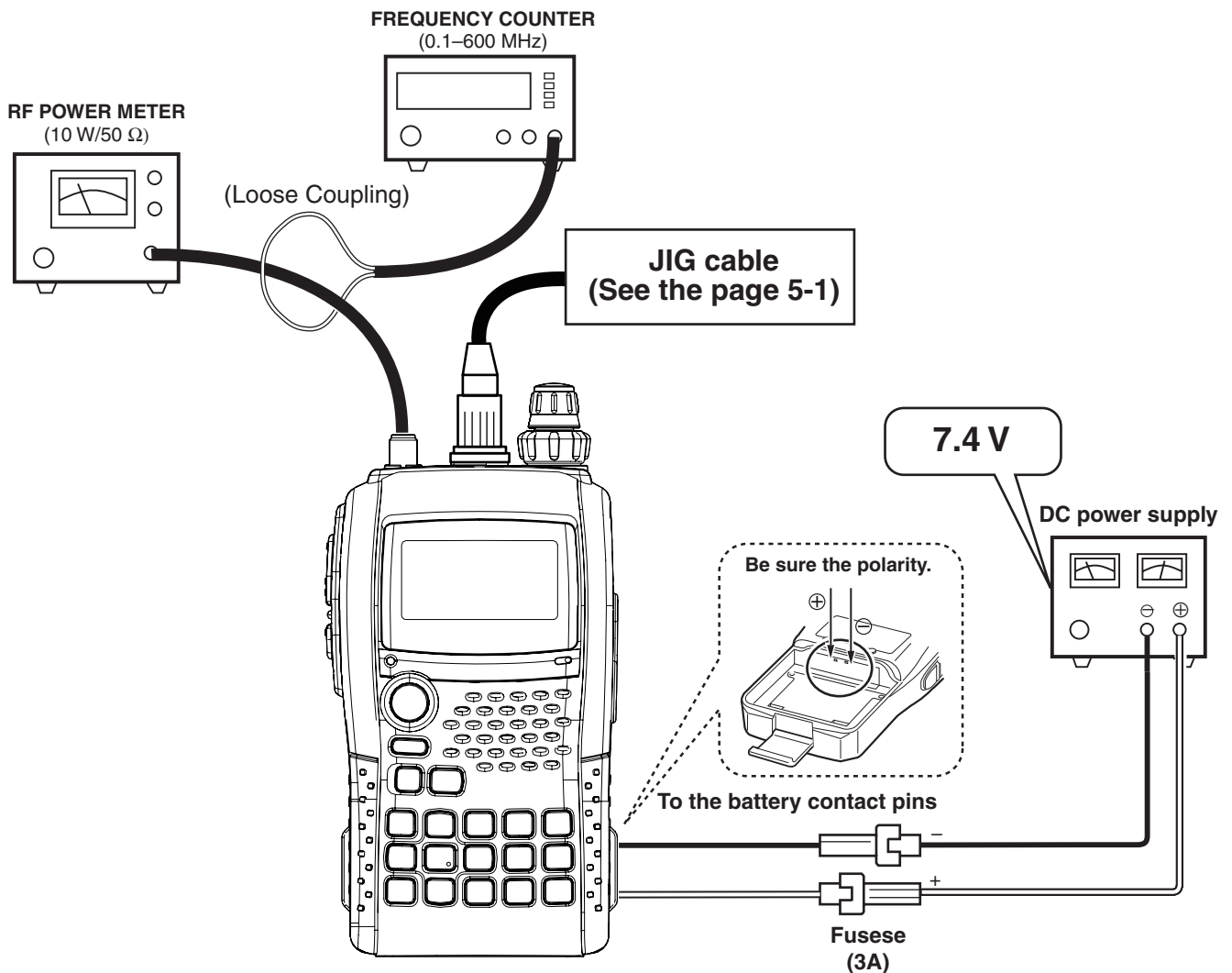
RF POWER METER
(10 W/50 Ω)



5-3 FREQUENCY ADJUSTMENT

Select an adjustment item using [2] / [8] keys, then set the adjustment value as specified using [DIAL].

ADJUSTMENT	ADJUSTMENT CONDITION	OPERATION	ADJUSTMENT ITEM	VALUE
REFERENCE FREQUENCY	1 <ul style="list-style-type: none"> • Displayed freq. : "440.000" • Transmitting 	1) Connect an RF to the antenna connector. 2) Loose couple a Frequency Counter to the antenna connector. 3) Adjust the frequency using [DIAL], then release the PTT and push [BAND] to store the adjustment value.	[Fr]	(Displayed frequency)

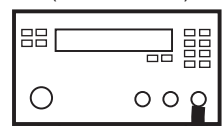


5-4 DEVIATION ADJUSTMENTS

Select an adjustment item using [2] / [8] keys, then set the adjustment value as specified using [DIAL].

ADJUSTMENT	ADJUSTMENT CONDITION	OPERATION	ADJUSTMENT ITEM	VALUE
FM DEVIATION [PREPARATION]	0 • Supply voltage : 7.4 V	1) Connect a Modulation Analyzer to the antenna connector through an Attenuator. 2) Connect an Audio Generator to the JIG cable (see the page 5-1).	-	-
(@1 kHz) [VHF (BAND LOW)]	1 • Displayed freq. : "144.000" • Transmitting	1) Set the Audio Generator as; Frequency : 1 kHz Level : 90 mVrms 2) Adjust the deviation using [DIAL], then release the PTT and push [BAND] to store the adjustment value.	[FMV]	4.2–4.3 kHz
[VHF (BAND HIGH)]	2 • Displayed freq. : "148.000" • Transmitting			
[UHF (BAND LOW)]	3 • Displayed freq. : "440.000" • Transmitting			
[UHF (BAND HIGH)]	4 • Displayed freq. : "450.000" • Transmitting			
(@300 Hz) [VHF (BAND LOW)]	5 • Channel : "144.000" • Transmitting	1) Set the Audio Generator as; Frequency : 300 Hz Level : 90 mVrms 2) Adjust the deviation using [DIAL], then release the PTT and push [BAND] to store the adjustment value.	[FMR]	4.0–4.1 kHz
[VHF (BAND HIGH)]	6 • Displayed freq. : "148.000" • Transmitting			
[UHF (BAND LOW)]	7 • Displayed freq. : "440.000" • Transmitting			
[UHF (BAND HIGH)]	8 • Displayed freq. : "450.000" • Transmitting			

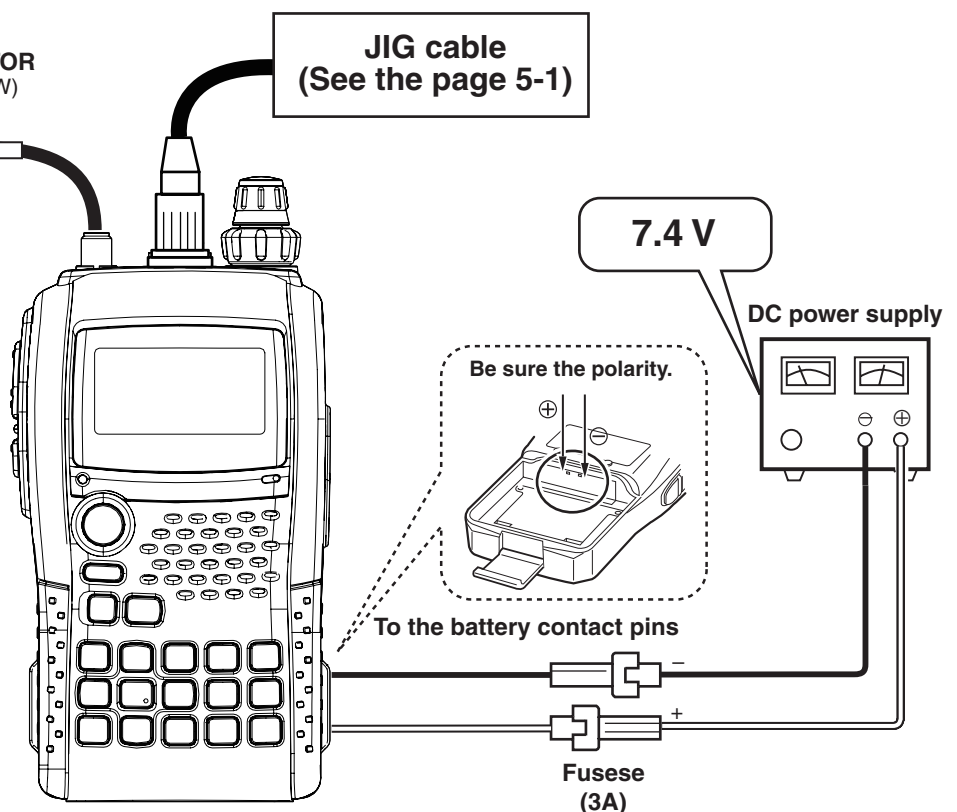
MODULATION ANALYZER (0.1–500 MHz)



SETTING
 HPF : OFF
 LPF : 20 kHz
 De-emphasis : OFF
 Detector : (P-P)/2

ATTENUATOR
(30 dB/10 W)

JIG cable
(See the page 5-1)

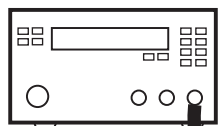


5-4 DEVIATION ADJUSTMENTS (continued)

Select an adjustment item using [2] / [8] keys, then set the adjustment value as specified using [DIAL].

ADJUSTMENT	ADJUSTMENT CONDITION	OPERATION	ADJUSTMENT ITEM	VALUE
DIGITAL VOICE DEVIATION [PREPARATION]	0 • Supply voltage : 7.4 V	• Connect a Modulation Analyzer to the antenna connector through an Attenuator. • No audio signals are applied.	-	-
(VCO MODULATION) [VHF (BAND LOW)]	1 • Displayed freq. : "144.000" • Transmitting	• Adjust the deviation using [DIAL], then release the PTT and push [BAND] to store the adjustment value.	[DUU]	1.1–1.3 kHz
[VHF (BAND HIGH)]	2 • Displayed freq. : "148.000" • Transmitting			
[UHF (BAND LOW)]	3 • Displayed freq. : "440.000" • Transmitting			
[UHF (BAND HIGH)]	4 • Displayed freq. : "450.000" • Transmitting			
(REF. MODULATION) [VHF (BAND LOW)]	5 • Displayed freq. : "144.000" • Transmitting		[DUR]	Minimum deviation
[VHF (BAND HIGH)]	6 • Displayed freq. : "148.000" • Transmitting			
[UHF (BAND LOW)]	7 • Displayed freq. : "440.000" • Transmitting			
[UHF (BAND HIGH)]	8 • Displayed freq. : "450.000" • Transmitting			

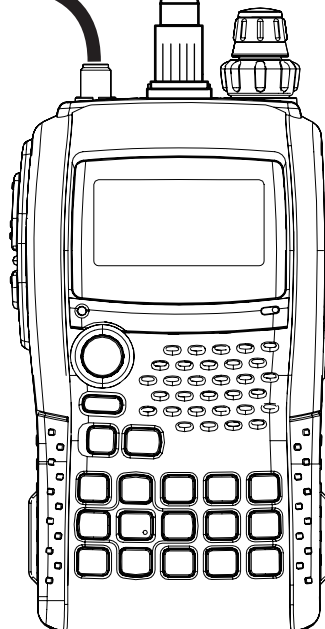
MODULATION ANALYZER (0.1–500 MHz)



SETTING
 HPF : OFF
 LPF : 20 kHz
 De-emphasis : OFF
 Detector : (P-P)/2

ATTENUATOR
(30 dB/10 W)

JIG cable
(See the page 5-1)



7.4 V

DC power supply

Be sure the polarity.

To the battery contact pins

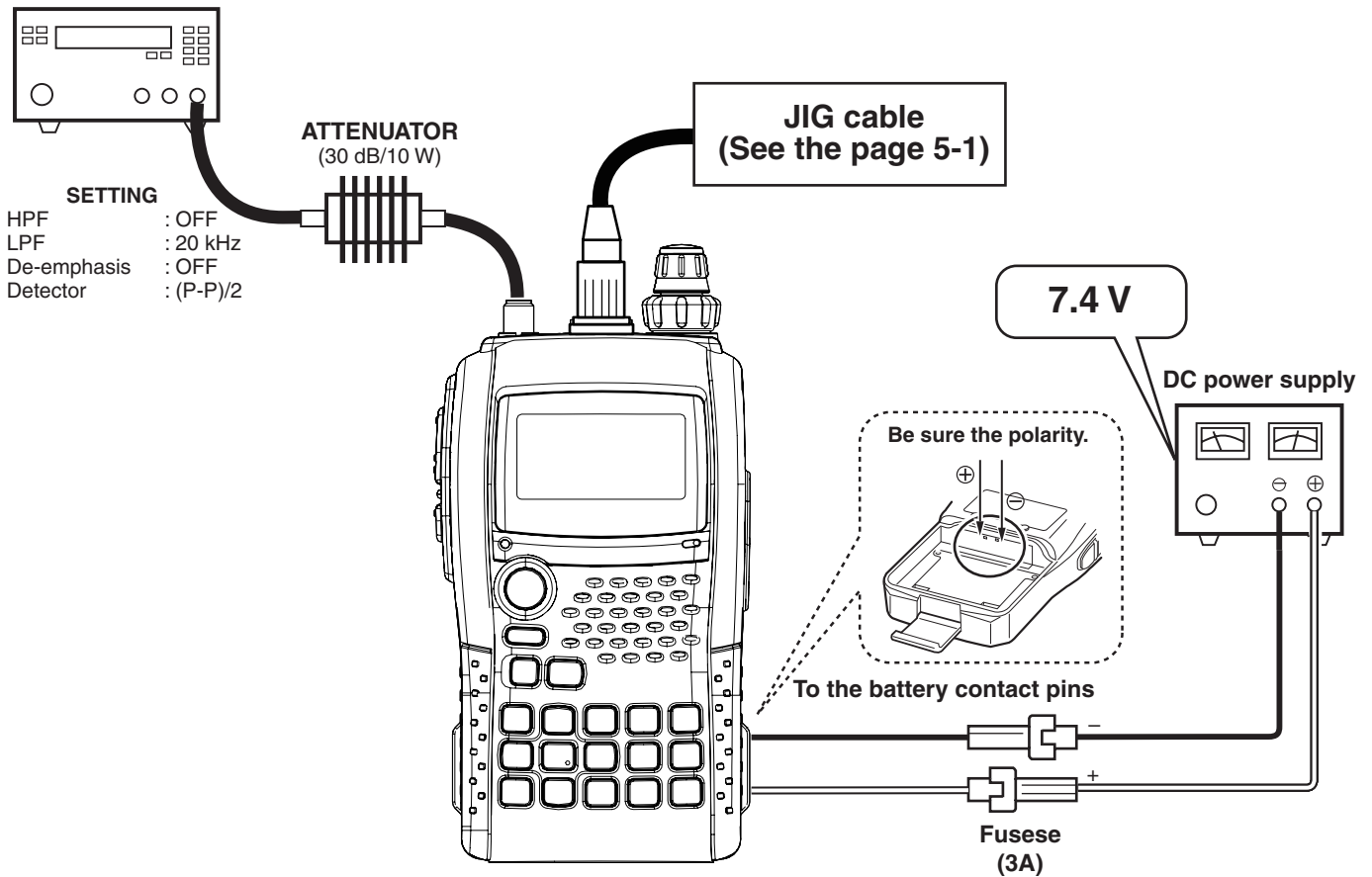
Fusese
(3A)

5-4 DEVIATION ADJUSTMENTS (continued)

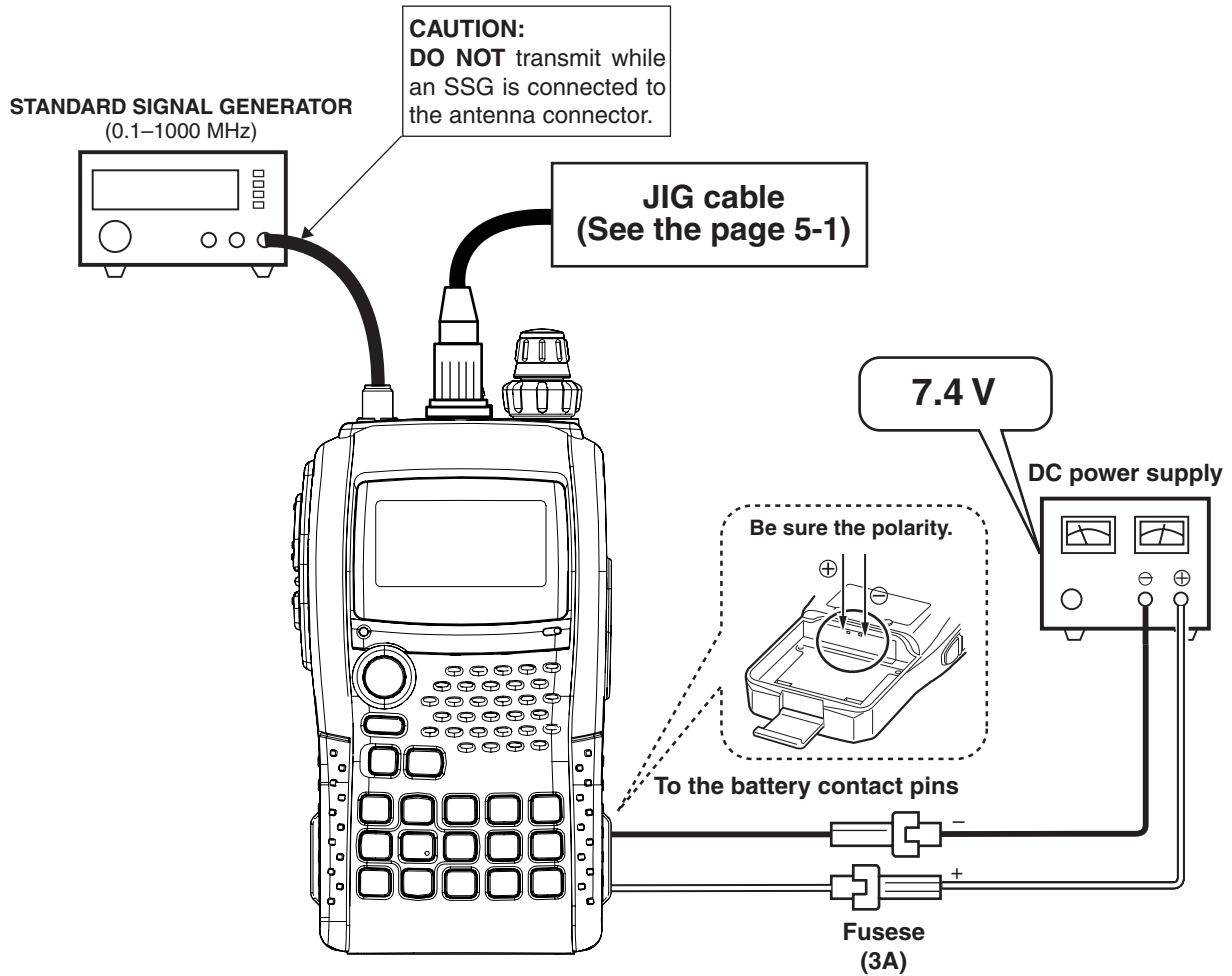
Select an adjustment item using [2] / [8] keys, then set the adjustment value as specified using [DIAL].

ADJUSTMENT	ADJUSTMENT CONDITION	OPERATION	ADJUSTMENT ITEM	VALUE
DTMF, European tone, CTCSS, DTCS DEVIATION [PREPARATION]	0 • Supply voltage : 7.4 V	• Connect a Modulation Analyzer to the antenna through an Attenuator. • No audio signals are applied.	-	-
[DTMF] (VHF) ----- (UHF)	1 • Displayed freq. : "146.000" • Transmitting • Displayed freq. : "445.000" • Transmitting	• Adjust the deviation using [DIAL], then release the PTT and push [BAND] to store the adjustment value.	[DTMF]	3.4–3.6 kHz
[European tone] (VHF) ----- (UHF)	2 • Displayed freq. : "146.000" • Transmitting • Displayed freq. : "445.000" • Transmitting		[EUR]	
[CTCSS] (VHF) ----- (UHF)	3 • Displayed freq. : "146.000" • Transmitting • Displayed freq. : "445.000" • Transmitting		[CT]	0.74–0.76 kHz
[DTCS] (VHF) ----- (UHF)	4 • Displayed freq. : "146.000" • Transmitting • Displayed freq. : "445.000" • Transmitting		[DTCS]	

MODULATION ANALYZER (0.1–500 MHz)



5-5 RECEIVE ADJUSTMENTS



WHOLE PROCEDURE OF RECEIVE ADJUSTMENTS

- 1) Select an adjustment item using [2] / [8] keys.
- 2) Set the SSG as specified (frequency, deviation and output level).
- 3) Push the [BAND] key to adjust (automatic) and store the adjustment value.

ADJUSTMENT	ADJUSTMENT CONDITION	OPERATION	ADJUSTMENT ITEM	VALUE
A BAND RECEIVE SENSITIVITY [PREPARATION]	0 • Supply voltage : 7.4 V	• Connect an SSG to the antenna connector and set as; Modulation : 1 kHz Deviation : 3.5 kHz	[TrA]	Push the [BAND] key. (Automatic adjustment)
[30.1 MHz]	1 • Displayed freq. : "30.100" • Receiving	• Set the SSG as; Frequency : 30.1 MHz Level : 0 dBμ		
[49.9 MHz]	2 • Displayed freq. : "49.900" • Receiving	• Set the SSG as; Frequency : 49.9 MHz Level : 0 dBμ		
[50.1 MHz]	3 • Displayed freq. : "50.100" • Receiving	• Set the SSG as; Frequency : 50.1 MHz Level : 0 dBμ		
[75.9 MHz]	4 • Displayed freq. : "75.900" • Receiving	• Set the SSG as; Frequency : 75.9 MHz Level : 0 dBμ		
[76.1 MHz]	5 • Displayed freq. : "76.100" • Receiving	• Set the SSG as; Frequency : 76.1 MHz Level : 0 dBμ		
[90.2 MHz]	6 • Displayed freq. : "90.200" • Receiving	• Set the SSG as; Frequency : 90.2 MHz Level : 0 dBμ		
[117.9 MHz]	7 • Displayed freq. : "117.900" • Receiving	• Set the SSG as; Frequency : 117.9 MHz Level : 0 dBμ		

RECEIVE ADJUSTMENT (continued)

- 1) Select an adjustment item using [2] / [8] keys.
- 2) Set the SSG as specified (frequency, deviation and output level).
- 3) Push the [BAND] key to adjust (automatic) and store the adjustment value.

ADJUSTMENT	ADJUSTMENT CONDITION	OPERATION	ADJUSTMENT ITEM	VALUE
[118.1 MHz]	8 • Displayed freq. : "118.100" • Receiving	• Set the SSG as; Frequency : 118.1 MHz Level : -3 dBμ	[TrA]	Push the [BAND] key. (Automatic adjustment)
[146.1 MHz]	9 • Displayed freq. : "146.100" • Receiving	• Set the SSG as; Frequency : 146.1 MHz Level : -3 dBμ		
[173.9 MHz]	10 • Displayed freq. : "173.900" • Receiving	• Set the SSG as; Frequency : 173.9 MHz Level : -3 dBμ		
[174.1 MHz]	11 • Displayed freq. : "174.100" • Receiving	• Set the SSG as; Frequency : 174.1 MHz Level : 0 dBμ		
[222.1 MHz]	12 • Displayed freq. : "222.100" • Receiving	• Set the SSG as; Frequency : 222.1 MHz Level : 0 dBμ		
[259.9 MHz]	13 • Displayed freq. : "259.900" • Receiving	• Set the SSG as; Frequency : 259.9 MHz Level : 0 dBμ		
[260.2 MHz]	14 • Displayed freq. : "260.200" • Receiving	• Set the SSG as; Frequency : 260.2 MHz Level : 0 dBμ		
[305.2 MHz]	15 • Displayed freq. : "305.200" • Receiving	• Set the SSG as; Frequency : 305.2 MHz Level : 0 dBμ		
[349.9 MHz]	16 • Displayed freq. : "349.900" • Receiving	• Set the SSG as; Frequency : 349.9 MHz Level : 0 dBμ		
[350.1 MHz]	17 • Displayed freq. : "350.100" • Receiving	• Set the SSG as; Frequency : 350.1 MHz Level : -3 dBμ		
[440.1 MHz]	18 • Displayed freq. : "440.100" • Receiving	• Set the SSG as; Frequency : 440.1 MHz Level : -3 dBμ		
[469.9 MHz]	19 • Displayed freq. : "469.900" • Receiving	• Set the SSG as; Frequency : 469.9 MHz Level : -3 dBμ		
[470.1 MHz]	20 • Displayed freq. : "470.100" • Receiving	• Set the SSG as; Frequency : 470.1 MHz Level : 0 dBμ		
[535.1 MHz]	21 • Displayed freq. : "535.100" • Receiving	• Set the SSG as; Frequency : 535.1 MHz Level : 0 dBμ		
[599.9 MHz]	22 • Displayed freq. : "599.900" • Receiving	• Set the SSG as; Frequency : 599.9 MHz Level : 0 dBμ		
[600.1 MHz]	23 • Displayed freq. : "600.100" • Receiving	• Set the SSG as; Frequency : 600.1 MHz Level : 0 dBμ		
[800.1 MHz]	24 • Displayed freq. : "800.100" • Receiving	• Set the SSG as; Frequency : 800.1 MHz Level : 0 dBμ		
[999.9 MHz]	25 • Displayed freq. : "999.900" • Receiving	• Set the SSG as; Frequency : 999.9 MHz Level : 0 dBμ		

RECEIVE ADJUSTMENT (continued)

- 1) Select an adjustment item using [2] / [8] keys.
- 2) Set the SSG as specified (frequency, deviation and output level).
- 3) Push the [BAND] key to adjust (automatic) and store the adjustment value.

ADJUSTMENT	ADJUSTMENT CONDITION	OPERATION	ADJUSTMENT ITEM	VALUE
BAND-B RECEIVE SENSITIVITY [PREPARATION]	0 • Supply voltage : 7.4 V	• Connect an SSG to the antenna connector and set as; Modulation : 1 kHz Deviation : 3.5 kHz	-	-
[118.1 MHz]	1 • Displayed freq. : "118.100" • Receiving	• Set the SSG as; Frequency : 118.1 MHz Level : -3 dBμ	[TrB]	Push the [BAND] key. (Automatic adjustment)
[146.1 MHz]	2 • Displayed freq. : "146.100" • Receiving	• Set the SSG as; Frequency : 146.1 MHz Level : -3 dBμ		
[173.9 MHz]	3 • Displayed freq. : "173.900" • Receiving	• Set the SSG as; Frequency : 173.9 MHz Level : -3 dBμ		
[350.1 MHz]	4 • Displayed freq. : "350.100" • Receiving	• Set the SSG as; Frequency : 350.1 MHz Level : -3 dBμ		
[440.1 MHz]	5 • Displayed freq. : "440.100" • Receiving	• Set the SSG as; Frequency : 440.1 MHz Level : -3 dBμ		
[469.9 MHz]	6 • Displayed freq. : "469.900" • Receiving	• Set the SSG as; Frequency : 469.9 MHz Level : -3 dBμ		
A BAND S-METER [PREPARATION]	0 • Supply voltage : 7.4 V	• Connect an SSG to the antenna connector and set as; Modulation : 1 kHz Deviation : 3.5 kHz	-	-
[1.01 MHz (S0 level)]	1 • Displayed freq. : "1.010" • Receiving	• Set the SSG as; Frequency : 1.01 MHz Level : -8 dBμ	[S3A]	Automatic adjustment (Push the [BAND] key)
[1.01 MHz (S3 level)]		• Set the SSG as; Level : -6 dBμ		
[1.01 MHz (Full scale)]		• Set the SSG as; Level : 0 dBμ		
[15.1 MHz (S0 level)]	2 • Displayed freq. : "15.100" • Receiving	• Set the SSG as; Frequency : 15.1 MHz Level : -10 dBμ		
[15.1 MHz (S3 level)]		• Set the SSG as; Level : -8 dBμ		
[15.1 MHz (Full scale)]		• Set the SSG as; Level : 0 dBμ		
[40.1 MHz (S0 level)]	3 • Displayed freq. : "40.100" • Receiving	• Set the SSG as; Frequency : 40.1 MHz Level : -8 dBμ		
[40.1 MHz (S3 level)]		• Set the SSG as; Level : -6 dBμ		
[40.1 MHz (Full scale)]		• Set the SSG as; Level : 0 dBμ		
[60.1 MHz (S0 level)]	4 • Displayed freq. : "60.100" • Receiving	• Set the SSG as; Frequency : 60.1 MHz Level : -8 dBμ		
[60.1 MHz (S3 level)]		• Set the SSG as; Level : -6 dBμ		
[60.1 MHz (Full scale)]		• Set the SSG as; Level : 0 dBμ		
[87.5 MHz (S0 level)]	5 • Displayed freq. : "87.500" • Receiving	• Set the SSG as; Frequency : 87.5 MHz Level : -8 dBμ		
[87.5 MHz (S3 level)]		• Set the SSG as; Level : -6 dBμ		
[87.5 MHz (Full scale)]		• Set the SSG as; Level : 0 dBμ		

RECEIVE ADJUSTMENT (continued)

- 1) Select an adjustment item using [2] / [8] keys.
- 2) Set the SSG as specified (frequency, deviation and output level).
- 3) Push the [BAND] key to adjust (automatic) and store the adjustment value.

ADJUSTMENT		ADJUSTMENT CONDITION	OPERATION	ADJUSTMENT ITEM	VALUE
[145.1 MHz (S0 level)]	6	<ul style="list-style-type: none"> • Displayed freq. : "146.100" • Receiving 	<ul style="list-style-type: none"> • Set the SSG as; Frequency : "(6)" Level : -8 dBμ 	[S3A]	Automatic adjustment (Push the [BAND] key)
[145.1 MHz (S3 level)]			<ul style="list-style-type: none"> • Set the SSG as; Level : -6 dBμ 		
[145.1 MHz (Full scale)]			<ul style="list-style-type: none"> • Set the SSG as; Level : 0 dBμ 		
[220.1 MHz (S0 level)]	7	<ul style="list-style-type: none"> • Displayed freq. : "220.100" • Receiving 	<ul style="list-style-type: none"> • Set the SSG as; Frequency : 220.1 MHz Level : -8 dBμ 		
[220.1 MHz (S3 level)]			<ul style="list-style-type: none"> • Set the SSG as; Level : -6 dBμ 		
[220.1 MHz (Full scale)]			<ul style="list-style-type: none"> • Set the SSG as; Level : 0 dBμ 		
[305.2 MHz (S0 level)]	8	<ul style="list-style-type: none"> • Displayed freq. : "305.200" • Receiving 	<ul style="list-style-type: none"> • Set the SSG as; Frequency : 305.2 MHz Level : -8 dBμ 		
[305.2 MHz (S3 level)]			<ul style="list-style-type: none"> • Set the SSG as; Level : -6 dBμ 		
[305.2 MHz (Full scale)]			<ul style="list-style-type: none"> • Set the SSG as; Level : 0 dBμ 		
[435.1 MHz (S0 level)]	9	<ul style="list-style-type: none"> • Displayed freq. : "445.100" • Receiving 	<ul style="list-style-type: none"> • Set the SSG as; Frequency : "(7)" Level : -8 dBμ 		
[435.1 MHz (S3 level)]			<ul style="list-style-type: none"> • Set the SSG as; Level : -6 dBμ 		
[435.1 MHz (Full scale)]			<ul style="list-style-type: none"> • Set the SSG as; Level : 0 dBμ 		
[535.1 MHz (S0 level)]	10	<ul style="list-style-type: none"> • Displayed freq. : "535.100" • Receiving 	<ul style="list-style-type: none"> • Set the SSG as; Frequency : 535.1 MHz Level : -8 dBμ 		
[535.1 MHz (S3 level)]			<ul style="list-style-type: none"> • Set the SSG as; Level : -6 dBμ 		
[535.1 MHz (Full scale)]			<ul style="list-style-type: none"> • Set the SSG as; Level : 0 dBμ 		
[800.1 MHz (S0 level)]	11	<ul style="list-style-type: none"> • Displayed freq. : "800.100" • Receiving 	<ul style="list-style-type: none"> • Set the SSG as; Frequency : 800.1 MHz Level : -2 dBμ 		
[800.1 MHz (S3 level)]			<ul style="list-style-type: none"> • Set the SSG as; Level : 0 dBμ 		
[800.1 MHz (Full scale)]			<ul style="list-style-type: none"> • Set the SSG as; Level : 8 dBμ 		
[87.5 MHz (S0 level)]	12	<ul style="list-style-type: none"> • Displayed freq. : "87.5" • Receiving 	<ul style="list-style-type: none"> • Set the SSG as; Frequency : 87.5MHz Level : 2 dBμ Modulation : 1 kHz Deviation : 52.5 kHz 	[SWF]	Push the [BAND] key. (Automatic adjustment)
[87.5 MHz (S3 level)]			<ul style="list-style-type: none"> • Set the SSG as; Level : 5 dBμ 		
[87.5 MHz (Full scale)]			<ul style="list-style-type: none"> • Set the SSG as; Level : 12 dBμ 		

RECEIVE ADJUSTMENT (continued)

- 1) Select an adjustment item using [2] / [8] keys.
- 2) Set the SSG as specified (frequency, deviation and output level).
- 3) Push the [BAND] key to adjust (automatic) and store the adjustment value.

ADJUSTMENT	ADJUSTMENT CONDITION	OPERATION	ADJUSTMENT ITEM	VALUE		
B BAND S-METER [PREPARATION]	0 • Supply voltage : 7.4 V	• Connect an SSG to the antenna connector and set as; Frequency : "(6)" Modulation : 1 kHz Deviation : 3.5 kHz.	[S3B]	Push the [BAND] key. (Automatic adjustment)		
(VHF) [145.1 MHz (S0 level)]	1 • Displayed freq. : "146.100" • Receiving	• Set the SSG as; Level : -8 dBμ				
[145.1 MHz (S3 level)]		• Set the SSG as; Level : -6 dBμ				
[145.1 MHz (Full scale)]		• Set the SSG as; Level : 0 dBμ				
(UHF) [435.1 MHz (S0 level)]	2 • Displayed freq. : "445.100" • Receiving	• Set the SSG as; Level : -8 dBμ				
[435.1 MHz (S3 level)]		• Set the SSG as; Level : -6 dBμ				
[435.1 MHz (Full scale)]		• Set the SSG as; Level : 0 dBμ				
A BAND SQUELCH [PREPARATION]	0 • Supply voltage : 7.4 V	• Connect an SSG to the antenna connector and set as; Level : "OFF"			[SOLA]	Push the [BAND] key. (Automatic adjustment)
[1.01 MHz]	1 • Displayed freq. : "1.010" • Receiving	-				
[15.1 MHz]	2 • Displayed freq. : "15.100" • Receiving	-				
[40.1 MHz]	3 • Displayed freq. : "40.100" • Receiving	-				
[60.1 MHz]	4 • Displayed freq. : "60.100" • Receiving	-				
[87.5 MHz]	5 • Displayed freq. : "87.500" • Receiving	-				
[145.1 MHz]	6 • Displayed freq. : "146.100" • Receiving	-				
[220.1 MHz]	7 • Displayed freq. : "220.100" • Receiving	-				
[305.2 MHz]	8 • Displayed freq. : "305.200" • Receiving	-				
[435.1 MHz]	9 • Displayed freq. : "445.100" • Receiving	-				
[535.1 MHz]	10 • Displayed freq. : "535.100" • Receiving	-				
[800.1 MHz]	11 • Displayed freq. : "800.100" • Receiving	-				
(FM) [145.1 MHz]	1 • Displayed freq. : "146.100" • Mode : "FM" • Receiving	-	[SOLB]	Push the [BAND] key. (Automatic adjustment)		
[435.1 MHz]	2 • Displayed freq. : "445.100" • Mode : "FM" • Receiving	-				
(NFM) [145.1 MHz]	3 • Displayed freq. : "146.100" • Mode : "NFM" • Receiving	• Set the SSG as; Frequency : "(6)" Modulation : 1 kHz Deviation : 1.75 kHz Level : -28 dBμ				
[435.1 MHz]	4 • Displayed freq. : "445.100" • Mode : "NFM" • Receiving	• Set the SSG as; Frequency : "(7)"				

SECTION 6

PARTS LIST

[LOGIC UNIT]

REF NO.	ORDER NO.	DESCRIPTION	M.	H/V LOCATION
IC1	1140014390	S.IC HD64F2239TF16V	B	16.9/25.4
IC2	1130013010	S.IC SN74AHC1G08DCK3	B	24.3/32.3
IC50	1130011770	S.IC CD4066BPWR	B	5.4/10.9
IC51	1140012950	S.IC 24LC512T-I/SM	B	21.6/39.7
IC52	1120003020	S.IC MAX3221IPWR	B	19.3/48
IC53	1130011760	S.IC CD4094BPWR	B	41.9/23.2
IC100	1180002790	S.REG R1150H0C22D-T1-F	B	26.6/47.1
IC101	1110006930	S.IC XC6371A551PR	B	93.7/48.7
IC102	1190002120	S.IC XC9201D09AKR	B	94.5/18
IC103	1180002590	S.REG XC6204B332MR	B	84.2/14.1
IC104	1110006520	S.IC LMV331IDCKR	B	93.2/32.1
IC300	1110005310	S.IC AN6123MS	B	37.3/33.8
IC301	1130008511	S.IC TC7W53FU (TE12L,F)	B	41.4/39.1
IC302	1110006470	S.IC LMV324IPWR	B	51.9/34.2
IC303	1130008511	S.IC TC7W53FU (TE12L,F)	B	16.9/5.8
IC400	1110002810	S.IC NJM2070M-TE1	B	32.4/3.9
IC500	1130013440	S.IC SN74LVC2G74DCTR	B	69.8/21.6
IC501	1110005430	S.IC CMX589AD5	B	50.5/47.6
IC502	1130007021	S.IC TC7S66FU (TE85L,F)	B	45.3/42.3
IC503	1130011631	S.IC AD73311ARSZ	B	74.7/45.5
IC504	1110005290	S.IC NJM2115V-TE1	B	61.7/45.7
IC505	1130011930	S.IC SN74LVC1G04DCKR	B	85.3/19.2
IC506	1130010920	S.IC AMBE-2020	B	78.2/31.4
IC507	1110006090	S.IC XC6202P502PPR	B	61.3/11.6
IC508	1180002371	S.REG R1111N321B-TR-F	B	64/20.7
Q50	1540000660	S.STR 2SD2216J-S	B	13.7/35.4
Q51	1540000660	S.STR 2SD2216J-S	T	20.2/2.8
Q52	1590003290	S.STR UNR9213J-(TX)	B	1.6/9.1
Q53	1590003250	S.STR UNR9115J-(TX)	B	7/16.6
Q100	1590002580	S.FET HAT1024R-EL	B	97.2/32.2
Q101	1550000090	S.FET RSQ035P03TR	B	91.1/16.7
Q102	1590003230	S.STR UNR9113J-(TX)	B	96.5/36.8
Q150	1510000671	S.STR 2SA1588-GR (TE85R,F)	B	80.5/11.4
Q151	1520000651	S.STR 2SB1201S-TL-E	B	89.4/6.9
Q152	1590003290	S.STR UNR9213J-(TX)	B	78.8/6.4
Q153	1590001170	S.STR XP1501-(TX).AB	B	83.3/4.1
Q200	1590003290	S.STR UNR9213J-(TX)	T	37.1/12.4
Q201	1590003290	S.STR UNR9213J-(TX)	T	39.4/14.2
Q202	1590003430	S.STR UNR9115J-(TX)	T	50.7/22.9
Q300	1510001100	S.STR 2SA1832-GR (TE85R,F)	B	31.4/50.2
Q301	1590003290	S.STR UNR9213J-(TX)	B	39.9/5.1
Q302	1590003230	S.STR UNR9113J-(TX)	T	41.3/40.3
Q303	1590001410	S.STR XP1215 (TX)	B	32.1/46.1
Q304	1530004000	S.STR 2SC4738-GR (TE85L,F)	B	41.4/3.7
Q305	1590003290	S.STR UNR9213J-(TX)	B	44/29.3
Q306	1590001770	S.STR XP1213 (TX)	B	50.4/22.0
Q307	1590003250	S.STR UNR9115J-(TX)	B	50.4/21.6
Q309	1590003290	S.STR UNR9213J-(TX)	B	47.8/31.5
Q310	1590003250	S.STR UNR9115J-(TX)	B	15.5/2
Q311	1530003091	S.STR 2SC4213-B (TE85R,F)	B	19.9/1.8
Q400	1520000651	S.STR 2SB1201S-TL-E	B	74.4/10.7
Q401	1590001170	S.STR XP1501-(TX).AB	B	56.3/13.5
Q402	1530002841	S.STR 2SC4116-Y (TE85R,F)	B	59.5/18.4
Q403	1560001330	S.FET RSR025N03	B	59/22.6
Q404	1560001330	S.FET RSR025N03	B	55.6/20.8
Q405	1590003290	S.STR UNR9213J-(TX)	B	56.5/17.9
Q500	1530004000	S.STR 2SC4738-GR (TE85L,F)	B	69.2/17.8
Q501	1590003290	S.STR UNR9213J-(TX)	T	50.9/50.3
Q502	1590003290	S.STR UNR9213J-(TX)	B	45.7/38.8
Q503	1590003290	S.STR UNR9213J-(TX)	T	66.6/38.1
Q504	1510001100	S.STR 2SA1832-GR (TE85R,F)	T	66.6/42.1
Q505	1530004000	S.STR 2SC4738-GR (TE85L,F)	B	82.9/20.9
Q506	1510001100	S.STR 2SA1832-GR (TE85R,F)	T	66.9/33.2
Q507	1590001170	S.STR XP1501-(TX).AB	B	64.2/30.9
Q600	1550000160	S.FET CPH3313-TL-E	B	17/39.3
Q601	1590003290	S.STR UNR9213J-(TX)	B	42.4/27.1
D1	1790001200	S.DIO MA6S121 (TX)	T	54.1/43
D2	1790001250	S.DIO MA2S111-(TX)	T	50.8/45.3
D4	1790000850	S.DIO MA132WK (TX)	B	79.6/45.3
D13	1790001260	S.DIO MA2S077-(TX)	B	9.9/33.9
D50	1790001240	S.DIO MA2S728-(TX)	B	13.1/38.2
D51	1790001250	S.DIO MA2S111-(TX)	B	22/34.4
D52	1790001240	S.DIO MA2S728-(TX)	B	14.3/37.7
D53	1730002300	S.ZEN MA8082-M (TX)	T	25.6/3.2
D54	1790001250	S.DIO MA2S111-(TX)	T	28.5/3.2
D100	1790001250	S.DIO MA2S111-(TX)	B	28.1/42.8
D101	1750000880	S.DIO RB551V-30TE-17	B	90.3/47.9
D102	1750001630	S.DIO RB161VA-20TR	B	91.3/19.5
D103	1790001250	S.DIO MA2S111-(TX)	B	90.4/32.2
D150	1790000860	S.DIO MA133 (TX)	B	85.7/6.9
D151	1790000671	S.DIO SB07-03C-TB-E	B	97.3/8.2
D200	1790001250	S.DIO MA2S111-(TX)	T	34.5/12.1
D300	1790001810	S.VSR AVR-M1005C080MTABB	B	38.1/51
D500	1790001240	S.DIO MA2S728-(TX)	B	86.3/23.3
D600	1790001250	S.DIO MA2S111-(TX)	B	14.4/40.2
D601	1790001240	S.DIO MA2S728-(TX)	B	41.8/28.7
X1	6050012730	S.XTL CR-864 (SMD-49/12.288MHZ)	B	3.8/28.4
X500	6050012300	S.XTL CR-821 (9.8304 MHz)	B	75.2/16.1
X501	6050012290	S.XTL CR-820 (16.384 MHz)	B	76.4/20.8
L100	6190001571	S.COL CDRH5D28NP-101NC 100U	B	92.8/42.6

[LOGIC UNIT]

REF NO.	ORDER NO.	DESCRIPTION	M.	H/V LOCATION
L101	6190001571	S.COL CDRH5D28NP-101NC 100U	B	93/25.3
L500	6200003640	S.COL MLF1608E 100K-T	B	12.6/40
R1	7030005120	S.RES ERJ2GEJ 102 X (1 k)	B	7.3/27.8
R2	7030005120	S.RES ERJ2GEJ 102 X (1 k)	B	7.2/23.7
R3	7030005120	S.RES ERJ2GEJ 102 X (1 k)	B	7.2/22.8
R4	7030005120	S.RES ERJ2GEJ 102 X (1 k)	B	7.2/21.9
R5	7030005120	S.RES ERJ2GEJ 102 X (1 k)	B	7.3/20.7
R6	7030005120	S.RES ERJ2GEJ 102 X (1 k)	B	6.4/19.5
R7	7030005120	S.RES ERJ2GEJ 102 X (1 k)	B	6.6/18.6
R8	7030005240	S.RES ERJ2GEJ 473 X (47 k)	B	23.7/20.1
R9	7030005530	S.RES ERJ2GEJ 100 X (10)	B	9.6/32.6
R10	7030005160	S.RES ERJ2GEJ 105 X (1 M)	B	6.9/32.3
R11	7030008010	S.RES ERJ2GEJ 123 X (12 k)	B	8.4/34.8
R12	7030005530	S.RES ERJ2GEJ 100 X (10)	B	25.3/42
R14	7030008010	S.RES ERJ2GEJ 123 X (12 k)	B	7.8/32.6
R15	7030005240	S.RES ERJ2GEJ 473 X (47 k)	B	8.5/18.1
R16	7030005240	S.RES ERJ2GEJ 473 X (47 k)	B	11.6/33.1
R50	7030005120	S.RES ERJ2GEJ 102 X (1 k)	B	12.1/35.2
R51	7030005240	S.RES ERJ2GEJ 473 X (47 k)	B	11.2/35.8
R52	7030011000	S.RES RR0510P-392-D (3.9 k)	B	11.9/37
R53	7030005240	S.RES ERJ2GEJ 473 X (47 k)	B	17.7/44
R54	7030005050	S.RES ERJ2GEJ 103 X (10 k)	B	18.6/44
R55	7030005240	S.RES ERJ2GEJ 473 X (47 k)	B	9.7/18.2
R56	7030005120	S.RES ERJ2GEJ 102 X (1 k)	T	18.6/30.2
R57	7030005240	S.RES ERJ2GEJ 473 X (47 k)	T	21.7/2.7
R58	7030005050	S.RES ERJ2GEJ 103 X (10 k)	T	23.5/7.2
R60	7030010010	S.RES ERJ2RKF 334 X (330 k)	T	32.8/2.7
R61	7030007610	S.RES RR0510R-683-D (68 k)	T	32.4/3.9
R62	7030004980	S.RES ERJ2GEJ 101 X (100)	B	12.9/46.7
R63	7030004980	S.RES ERJ2GEJ 101 X (100)	B	20.8/51.3
R64	7030005090	S.RES ERJ2GEJ 104 X (100 k)	B	7.2/15.2
R65	7030005120	S.RES ERJ2GEJ 102 X (1 k)	B	5/15.7
R66	7510001661	S.TMR NTCG16 4LH 473JT	B	8.8/8.6
R67	7030005840	S.RES RR0510R-473-D (47 k)	B	6.9/6.7
R100	7030005090	S.RES ERJ2GEJ 104 X (100 k)	B	28.1/50.3
R101	7030011930	S.RES RP1005S-R56-F (0.56)	B	94.5/14.4
R102	7030011930	S.RES RP1005S-R56-F (0.56)	B	95.1/13.5
R104	7030007250	S.RES ERJ2GEJ 220 X (22)	B	91.4/38.9
R105	7030005050	S.RES ERJ2GEJ 103 X (10 k)	B	91.6/21.1
R106	7030007320	S.RES ERJ2GEJ 225 X (2.2 M)	B	95/36.7
R107	7030007340	S.RES ERJ2GEJ 153 X (15 k)	B	91.1/14.4
R108	7030005110	S.RES ERJ2GEJ 224 X (220 k)	B	98.5/37.3
R110	7030005240	S.RES ERJ2GEJ 473 X (47 k)	B	80.9/13.4
R111	7030007320	S.RES ERJ2GEJ 225 X (2.2 M)	B	93.9/34.9
R112	7030005160	S.RES ERJ2GEJ 105 X (1 M)	B	93.7/34
R113	7030005160	S.RES ERJ2GEJ 105 X (1 M)	B	91.5/32.6
R114	7030005160	S.RES ERJ2GEJ 105 X (1 M)	B	92/13.4
R115	7030008270	S.RES RR0510P-104-D (100 k)	B	99/26.2
R116	7030005830	S.RES RR0510R-223-D (22 k)	B	98.8/25
R150	7030003210	S.RES ERJ3GEYJ 120 V (12)	B	82.9/8.9
R151	7030003210	S.RES ERJ3GEYJ 120 V (12)	B	84.1/8.9
R152	7030005280	S.RES ERJ3GEYJ 6R8V (6.8)	B	81.7/8.9
R153	7030007860	S.RES ERJ3GEYJ 8R2V (8.2)	B	80.5/8.9
R154	7030005120	S.RES ERJ2GEJ 102 X (1 k)	B	79.5/8.2
R155	7030005120	S.RES ERJ2GEJ 102 X (1 k)	B	83.4/6.9
R156	7030010990	S.RES RR0510P-272-D (2.7 k)	B	83.2/5.9
R157	7030011000	S.RES RR0510P-392-D (3.9 k)	B	80.5/47.7
R158	7030007280	S.RES ERJ2GEJ 331 X (330)	B	81/3.5
R159	7030010010	S.RES ERJ2RKF 334 X (330 k)	B	99.3/8
R160	7030007610	S.RES RR0510R-683-D (68 k)	B	99.3/9.6
R161	7030010990	S.RES RR0510P-272-D (2.7 k)	B	81.4/4.7
R200	7030010040	S.RES ERJ2GEJ-JPW	B	36.1/29.4
R202	7030005090	S.RES ERJ2GEJ 104 X (100 k)	B	35.1/30.7
R203	7030007280	S.RES ERJ2GEJ 331 X (330)	T	38.7/12.4
R204	7030007280	S.RES ERJ2GEJ 331 X (330)	T	39.6/12.4
R205	7030008370	S.RES ERJ2GEJ 561 X (560)	T	53.3/22.4
R206	7030008370	S.RES ERJ2GEJ 561 X (560)	T	53.3/23.3
R207	7030008370	S.RES ERJ2GEJ 561 X (560)	T	53.3/24.2
R208	7030005120	S.RES ERJ2GEJ 102 X (1 k)	T	55.4/24.2
R209	7030008370	S.RES ERJ2GEJ 561 X (560)	T	56.4/24.2
R210	7030007280	S.RES ERJ2GEJ 331 X (330)	T	57.6/24.7
R211	7030008370	S.RES ERJ2GEJ 561 X (560)	T	51.7/21.2
R212	7030007280	S.RES ERJ2GEJ 331 X (330)	T	52.6/21.2
R213	7030004980	S.RES ERJ2GEJ 101 X (100)	T	69/17
R214	7030004980	S.RES ERJ2GEJ 101 X (100)	T	69/37.6
R300	7030005000	S.RES ERJ2GEJ 471 X (470)	B	32.5/48.8
R301	7030005050	S.RES ERJ2GEJ 103 X (10 k)	B	33.9/50.3
R302	7030005120	S.RES ERJ2GEJ 102 X (1 k)	B	35.1/49.8
R303	7030005110	S.RES ERJ2GEJ 224 X (220 k)	B	30.3/51.7
R304	7030007290	S.RES ERJ2GEJ 222 X (2.2 k)	B	10.9/39.7
R305	7030005060	S.RES ERJ2GEJ 333 X (33 k)	B	38.1/51.9
R306	7030005120	S.RES ERJ2GEJ 102 X (1 k)	B	36/48.5
R307	7030005040	S.RES ERJ2GEJ 472 X (47 k)	B	34.4/47.6
R308	7030008400	S.RES ERJ2GEJ 182 X (1.8 k)	B	34.4/46.7
R309	7030008400	S.RES ERJ2GEJ 182 X (1.8 k)	B	34.4/45.8
R310	7030004980	S.RES ERJ2GEJ 101 X (100)	T	41.9/42.1
R311	7030007300	S.RES ERJ2GEJ 332 X (3.3 k)	B	42.2/42.1
R312	7030005080	S.RES ERJ2GEJ 823 X (82 k)	B	39.6/43.7
R314	7030005120	S.RES ERJ2GEJ 102 X (1 k)	B	42.6/46
R315	7030010040	S.RES ERJ2GEJ-JPW	B	40.6/42.1
R316	7030005030	S.RES ERJ2GEJ 152 X (1.5 k)	B	39/36
R317	7030008410	S.RES ERJ2GEJ 392 X (3.9 k)	B	37.8/36.5
R318	7030005070	S.RES ERJ2GEJ 683 X (68 k)	B	43/34.1
R319	7030005050	S.RES ERJ2GEJ 103 X (10 k)	B	43.5/31.3
R320	7030007340	S.RES ERJ2GEJ 153 X (15 k)	B	42.6/31.3
R321	7030005010	S.RES ERJ2GEJ 681 X (680)	B	23.3/3

[LOGIC UNIT]

REF NO.	ORDER NO.	DESCRIPTION	M.	H/V LOCATION
R322	7030005040	S.RES ERJ2GEJ 472 X (4.7 k)	B	20.3/5.4
R323	7030010040	S.RES ERJ2GEJ-JPW	B	40.6/31.6
R325	7030005240	S.RES ERJ2GEJ 473 X (47 k)	B	48.5/21.6
R326	7030008300	S.RES ERJ2GEJ 184 X (180 k)	B	38.2/31.6
R327	7030005160	S.RES ERJ2GEJ 105 X (1 M)	B	40.3/34.4
R328	7030007340	S.RES ERJ2GEJ 153 X (15 k)	B	43.7/37
R329	7030005100	S.RES ERJ2GEJ 154 X (150 k)	B	50.4/29.9
R330	7030005000	S.RES ERJ2GEJ 471 X (470)	B	50.9/27.8
R331	7030009140	S.RES ERJ2GEJ 272 X (2.7 k)	B	50/27.8
R333	7030005080	S.RES ERJ2GEJ 823 X (82 k)	B	48.7/33.7
R334	7030005070	S.RES ERJ2GEJ 683 X (68 k)	B	47.8/35.3
R335	7030007350	S.RES ERJ2GEJ 393 X (39 k)	B	48.7/35.3
R336	7030005080	S.RES ERJ2GEJ 823 X (82 k)	B	47.3/34.1
R337	7030007350	S.RES ERJ2GEJ 393 X (39 k)	B	44.5/35.4
R338	7030005050	S.RES ERJ2GEJ 103 X (10 k)	B	44.9/33
R339	7030007350	S.RES ERJ2GEJ 393 X (39 k)	B	46.1/32.6
R340	7030008410	S.RES ERJ2GEJ 392 X (3.9 k)	B	45.2/31
R341	7030007290	S.RES ERJ2GEJ 222 X (2.2 k)	B	50.2/39.3
R342	7030007290	S.RES ERJ2GEJ 222 X (2.2 k)	B	50.2/40.2
R343	7030005030	S.RES ERJ2GEJ 152 X (1.5 k)	B	51.8/41.1
R344	7030008300	S.RES ERJ2GEJ 184 X (180 k)	B	53.7/39.3
R345	7030005090	S.RES ERJ2GEJ 104 X (100 k)	B	53.0/38.4
R346	7030005090	S.RES ERJ2GEJ 104 X (100 k)	B	55.4/34.3
R347	7030005090	S.RES ERJ2GEJ 104 X (100 k)	B	52.1/42.8
R348	7030005110	S.RES ERJ2GEJ 224 X (220 k)	B	55.4/33.4
R349	7030007340	S.RES ERJ2GEJ 153 X (15 k)	B	55.9/31.1
R350	7030007340	S.RES ERJ2GEJ 153 X (15 k)	B	55.4/32.5
R351	7030004980	S.RES ERJ2GEJ 101 X (100)	B	52.4/27.1
R352	7030005120	S.RES ERJ2GEJ 102 X (1 k)	T	29.7/51.1
R400	7030000190	S.RES MCR10EZHJ 27 (270)	B	52.4/9.5
R401	7030000190	S.RES MCR10EZHJ 27 (270)	B	52.4/11.3
R402	7030000190	S.RES MCR10EZHJ 27 (270)	B	52.4/13
R403	7030005160	S.RES ERJ2GEJ 105 X (1 M)	B	52.6/14.4
R404	7030005070	S.RES ERJ2GEJ 683 X (68 k)	B	54.2/14.4
R405	7030005120	S.RES ERJ2GEJ 102 X (1 k)	B	56.3/11.3
R406	7030009710	S.RES ERJ2GEJ 203 X (20 k)	B	74.1/4.9
R407	7030005220	S.RES ERJ2GEJ 223 X (22 k)	B	74.1/6.5
R408	7030005030	S.RES ERJ2GEJ 152 X (1.5 k)	B	24.5/3.3
R409	7030005050	S.RES ERJ2GEJ 103 X (10 k)	B	24.9/2.1
R410	7030005060	S.RES ERJ2GEJ 333 X (33 k)	B	27.2/3.3
R411	7030005210	S.RES ERJ2GEJ 822 X (8.2 k)	B	28.1/3.3
R412	7030007260	S.RES ERJ2GEJ 330 X (33)	B	28/5
R413	7030005530	S.RES ERJ2GEJ 100 X (10)	B	38.2/7.8
R414	7030005170	S.RES ERJ2GEJ 474 X (470 k)	B	59/20.4
R415	7030005170	S.RES ERJ2GEJ 474 X (470 k)	B	58.2/16.6
R416	7030005090	S.RES ERJ2GEJ 104 X (100 k)	B	57.8/20
R417	7030007300	S.RES ERJ2GEJ 332 X (3.3 k)	B	25.4/3.3
R418	7030005050	S.RES ERJ2GEJ 103 X (10 k)	B	17.6/1.2
R419	7030005060	S.RES ERJ2GEJ 333 X (33 k)	B	18.1/2.4
R501	7030005120	S.RES ERJ2GEJ 102 X (1 k)	B	71.5/18.1
R502	7030005090	S.RES ERJ2GEJ 104 X (100 k)	B	60.7/18.1
R503	7030004990	S.RES ERJ2GEJ 221 X (220)	B	69.1/15.3
R504	7030004980	S.RES ERJ2GEJ 101 X (100)	B	72/21.2
R505	7030010040	S.RES ERJ2GEJ-JPW	B	68.6/26.3
R506	7030005240	S.RES ERJ2GEJ 473 X (47 k)	T	52.9/51
R507	7030005240	S.RES ERJ2GEJ 473 X (47 k)	T	53.8/51
R508	7030005240	S.RES ERJ2GEJ 473 X (47 k)	T	54.7/50.3
R509	7030005240	S.RES ERJ2GEJ 473 X (47 k)	T	55.6/50.3
R510	7030005240	S.RES ERJ2GEJ 473 X (47 k)	T	56.5/51
R511	7030005090	S.RES ERJ2GEJ 104 X (100 k)	B	55.4/44.7
R512	7030005090	S.RES ERJ2GEJ 104 X (100 k)	B	57.4/44.7
R513	7030006610	S.RES ERJ2GEJ 394 X (390 k)	B	44.6/44.5
R514	7030005240	S.RES ERJ2GEJ 473 X (47 k)	B	45.3/40.4
R515	7030005220	S.RES ERJ2GEJ 223 X (22 k)	B	49.7/42.8
R516	7030005050	S.RES ERJ2GEJ 103 X (10 k)	T	66.6/39.6
R517	7030005050	S.RES ERJ2GEJ 103 X (10 k)	T	66.6/40.5
R518	7030005530	S.RES ERJ2GEJ 100 X (10)	T	66.6/44.1
R519	7030005240	S.RES ERJ2GEJ 473 X (47 k)	B	70.9/41.3
R520	7030005090	S.RES ERJ2GEJ 104 X (100 k)	B	56.4/45.9
R521	7030005170	S.RES ERJ2GEJ 474 X (470 k)	B	60.4/43.2
R522	7030005240	S.RES ERJ2GEJ 473 X (47 k)	B	58.8/43.2
R523	7030005240	S.RES ERJ2GEJ 473 X (47 k)	T	64.1/46.3
R524	7030005090	S.RES ERJ2GEJ 104 X (100 k)	T	65/46.3
R525	7030004980	S.RES ERJ2GEJ 101 X (100)	B	75.2/50.9
R526	7030005240	S.RES ERJ2GEJ 473 X (47 k)	T	66.2/45.9
R527	7030005010	S.RES ERJ2GEJ 681 X (680)	B	70.3/45.9
R528	7030005120	S.RES ERJ2GEJ 102 X (1 k)	B	72.7/50.8
R530	7030004980	S.RES ERJ2GEJ 101 X (100)	B	81.6/17.5
R531	7030005120	S.RES ERJ2GEJ 102 X (1 k)	B	82.9/18.5
R532	7030005090	S.RES ERJ2GEJ 104 X (100 k)	B	82.9/19.5
R533	7030004990	S.RES ERJ2GEJ 221 X (220)	B	80.9/21.5
R534	7030007280	S.RES ERJ2GEJ 331 X (330)	B	85.2/23.4
R535	7030005120	S.RES ERJ2GEJ 102 X (1 k)	B	85.7/20.9
R536	7030005240	S.RES ERJ2GEJ 473 X (47 k)	B	79.3/43.8
R537	7030005040	S.RES ERJ2GEJ 472 X (4.7 k)	B	63.5/28.6
R538	7030000180	S.RES MCR10EZHJ 22 (220)	B	63/17.3
R539	7030005240	S.RES ERJ2GEJ 473 X (47 k)	B	61.6/18.5
R601	7030004980	S.RES ERJ2GEJ 101 X (100)	B	12.7/16.3
R602	7030008370	S.RES ERJ2GEJ 561 X (560)	B	13.6/16.3
R603	7030005120	S.RES ERJ2GEJ 102 X (1 k)	B	15.3/15.9
R604	7030005120	S.RES ERJ2GEJ 102 X (1 k)	B	17.2/15.9
R605	7030005120	S.RES ERJ2GEJ 102 X (1 k)	B	19.1/16
R606	7030005090	S.RES ERJ2GEJ 104 X (100 k)	B	12/17.9
R608	7030010040	S.RES ERJ2GEJ-JPW	B	63.7/34.2
R610	7030005000	S.RES ERJ2GEJ 471 X (470)	B	15.4/43.2
R611	7030005090	S.RES ERJ2GEJ 104 X (100 k)	B	17/37.2
R612	7030005000	S.RES ERJ2GEJ 471 X (470)	B	39.8/27
R614	7030005050	S.RES ERJ2GEJ 103 X (10 k)	B	44.1/26.5
C1	4030016930	S.CER ECJ0EB1A104K	B	38.2/28.5
C2	4030016930	S.CER ECJ0EB1A104K	B	6.8/34.7
C3	4030016930	S.CER ECJ0EB1A104K	B	9.6/30
C4	4030016930	S.CER ECJ0EB1A104K	B	8.7/29.1

[LOGIC UNIT]

REF NO.	ORDER NO.	DESCRIPTION	M.	H/V LOCATION
C5	4030017460	S.CER ECJ0EB1E102K	B	7.2/26.9
C6	4030017460	S.CER ECJ0EB1E102K	B	7.2/24.6
C7	4030017460	S.CER ECJ0EB1E102K	B	5.6/22.2
C8	4030017460	S.CER ECJ0EB1E102K	B	5/21.2
C9	4030017460	S.CER ECJ0EB1E102K	B	4.2/19.8
C10	4030017460	S.CER ECJ0EB1E102K	B	4.2/18.9
C12	4030016930	S.CER ECJ0EB1A104K	B	22.5/19.7
C13	4030017640	S.CER ECJ0EC1H150J	B	11/31
C14	4030017630	S.CER ECJ0EC1H120J	B	8.7/32.6
C15	4030017400	S.CER ECJ0EC1H220J	B	7.4/33.8
C16	4030016930	S.CER ECJ0EB1A104K	B	10.5/32.6
C17	4030016930	S.CER ECJ0EB1A104K	B	25.2/30.3
C32	4550007720	S.TAN TEESVP OG 476M8R	B	7.3/29.8
C50	4030017460	S.CER ECJ0EB1E102K	B	10/36
C51	4030017400	S.CER ECJ0EC1H220J	B	10/35.1
C52	4030017460	S.CER ECJ0EB1E102K	B	25.3/42.9
C53	4030017460	S.CER ECJ0EB1E102K	B	10.1/19.1
C54	4030017460	S.CER ECJ0EB1E102K	T	17.7/3.2
C55	4030017460	S.CER ECJ0EB1E102K	T	22.6/2.7
C56	4030017460	S.CER ECJ0EB1E102K	T	31/3.2
C57	4030016930	S.CER ECJ0EB1A104K	B	23.5/46.8
C58	4030017620	S.CER ECJ0EC1H100C	B	11.3/46.7
C60	4030011810	S.CER C1608 JB 1A 224K-T	B	18/51.9
C61	4030011810	S.CER C1608 JB 1A 224K-T	B	14.9/45.4
C62	4030011810	S.CER C1608 JB 1A 224K-T	B	14.8/48
C63	4030011810	S.CER C1608 JB 1A 224K-T	B	15.4/51.8
C64	4030017620	S.CER ECJ0EC1H100C	B	13.6/45.5
C66	4030017460	S.CER ECJ0EB1E102K	B	5.2/6.7
C67	4030017460	S.CER ECJ0EB1E102K	B	8.7/12.9
C68	4030017460	S.CER ECJ0EB1E102K	B	8.6/16.1
C69	4030017460	S.CER ECJ0EB1E102K	B	5/16.6
C70	4030017460	S.CER ECJ0EB1E102K	B	8.7/14.5
C71	4030017460	S.CER ECJ0EB1E102K	B	45.4/19.7
C100	4030011600	S.CER C1608 JB 1E 104K-T	B	28.2/44
C101	4030011600	S.CER C1608 JB 1E 104K-T	B	25.4/51.2
C102	4030016930	S.CER ECJ0EB1A104K	B	26/50.1
C103	4550007730	S.TAN TEESVJ OJ 106M8R	B	25.6/44
C104	4550007680	S.TAN TEESVP OJ 226M8R	B	92.8/36.6
C105	4550007680	S.TAN TEESVP OJ 226M8R	B	94.6/38.5
C106	4550007680	S.TAN TEESVP OJ 226M8R	B	97.1/46.7
C107	4550007680	S.TAN TEESVP OJ 226M8R	B	97.7/44.3
C108	4030017330	S.CER ECJ0EF1C104Z	B	93.3/14
C109	4510007980	S.ELE 16SVP22M-AIC	B	47.8/5.8
C110	4030017440	S.CER ECJ0EC1H221J	B	92.5/21.1
C111	4550007880	S.TAN TEESVB2 1A 686M8R	B	97.9/21.6
C112	4030018560	S.CER C2012 JB 1A 475K-T	B	98/27.8
C113	4030018860	S.CER ECJ0EB0J105K	B	86.4/14.1
C114	4030017460	S.CER ECJ0EB1E102K	B	84.8/16.2
C115	4030017460	S.CER ECJ0EB1E102K	B	81.8/13.4
C116	4030017490	S.CER C1608 JB 1A 105K-T	B	84.5/11.8
C117	4030017460	S.CER ECJ0EB1E102K	B	86.2/11.9
C118	4030016930	S.CER ECJ0EB1A104K	B	92.3/14
C119	4030017400	S.CER ECJ0EC1H220J	B	93.9/21.6
C120	4030017700	S.CER ECJ0EC1H151J	B	98.1/26.2
C121	4030016790	S.CER ECJ0EB1C103K	B	92/29.8
C123	4030017460	S.CER ECJ0EB1E102K	B	95.5/21.6
C124	4030016930	S.CER ECJ0EB1A104K	B	94.1/29
C150	4030017460	S.CER ECJ0EB1E102K	B	80.8/6.3
C151	4030017460	S.CER ECJ0EB1E102K	B	79.3/4.4
C152	4030017460	S.CER ECJ0EB1E102K	B	81.7/6.3
C153	4030017460	S.CER ECJ0EB1E102K	B	2.6/14.3
C200	4550007690	S.TAN TEESVP 1C 105M8R	T	36.5/16.2
C201	4550007690	S.TAN TEESVP 1C 105M8R	T	36.5/18
C202	4550007690	S.TAN TEESVP 1C 105M8R	T	35.7/19.7
C203	4550007690	S.TAN TEESVP 1C 105M8R	T	35.6/21.5
C204	4550007690	S.TAN TEESVP 1C 105M8R	T	35.6/23.2
C205	4550007700	S.TAN TEESVP 1C 225M8R	B	35.5/21.6
C206	4550007700	S.TAN TEESVP 1C 225M8R	B	36.1/23.4
C207	4550007700	S.TAN TEESVP 1C 225M8R	B	36/25.1
C208	4550007700	S.TAN TEESVP 1C 225M8R	B	35.7/27.4
C214	4030017460	S.CER ECJ0EB1E102K	T	35.6/12.4
C215	4030017460	S.CER ECJ0EB1E102K	T	37.9/14.2
C216	4030017460	S.CER ECJ0EB1E102K	T	49.2/24
C217	4030017460	S.CER ECJ0EB1E102K	T	52.1/24
C218	4030017460	S.CER ECJ0EB1E102K	T	47.7/21.2
C219	4030017460	S.CER ECJ0EB1E102K	B	69.9/17
C300	4030018860	S.CER ECJ0EB0J105K	B	33/50.3
C301	4030017460	S.CER ECJ0EB1E102K	B	30.9/48.8
C302	4030017460	S.CER ECJ0EB1E102K	B	35.1/50.7
C303	4030016950	S.CER ECJ0EB1A473K	B	31.9/51.7
C304	4030017460	S.CER ECJ0EB1E102K	T	39.7/40.3
C305	4030016790	S.CER ECJ0EB1C103K	T	42.8/42.1
C306	4030018860	S.CER ECJ0EB0J105K	B	36/47.6
C307	4030017460	S.CER ECJ0EB1E102K	B	36.4/49.7
C308	45500			

[LOGIC UNIT]

REF NO.	ORDER NO.	DESCRIPTION	M.	H/V LOCATION
C328	4030018860	S.CER ECJ0EB0J105K	B	50/26.2
C329	4030017710	S.CER ECJ0EC1H181J	B	50.4/29
C330	4030017460	S.CER ECJ0EB1E102K	B	55/31.1
C331	4550007690	S.TAN TEESVP 1C 105M8R	B	55.6/36.4
C332	4030016790	S.CER ECJ0EB1C103K	B	52.4/29.9
C333	4550007680	S.TAN TEESVP 0J 226M8R	B	52.9/28.5
C334	4030018110	S.CER ECJ0EB1H272K	B	46.9/35.3
C335	4030018140	S.CER ECJ0EB1H391K	B	50.2/38.4
C336	4550007730	S.TAN TEESVJ 0J 106M8R	B	45.2/34.1
C337	4030017920	S.CER ECJ0EB1A683K	B	47.3/33
C338	4030017040	S.CER ECJ0EB1A333K	B	46.1/31
C339	4030017460	S.CER ECJ0EB1E102K	B	47.8/29.9
C340	4030017040	S.CER ECJ0EB1A333K	B	17.2/2.4
C341	4030016960	S.CER ECJ0EB1C183K	B	50.2/41.1
C342	4030017460	S.CER ECJ0EB1E102K	B	19.3/5.8
C343	4030018860	S.CER ECJ0EB0J105K	B	54.9/38.9
C344	4030017460	S.CER ECJ0EB1E102K	B	14.7/6.4
C347	4030017460	S.CER ECJ0EB1E102K	B	39.9/33.2
C400	4030017460	S.CER ECJ0EB1E102K	B	52.2/6.8
C401	4030017460	S.CER ECJ0EB1E102K	B	51.4/14.7
C403	4030017460	S.CER ECJ0EB1E102K	B	53.5/15.8
C404	4030017460	S.CER ECJ0EB1E102K	B	54.5/11.3
C405	4030018860	S.CER ECJ0EB0J105K	B	55.4/11.3
C408	4030017460	S.CER ECJ0EB1E102K	B	58/14
C409	4030016930	S.CER ECJ0EB1A104K	B	23.3/2.1
C410	4030016780	S.CER ECJ0EB1C153K	B	26.7/2.1
C411	4030016930	S.CER ECJ0EB1A104K	B	26.3/3.3
C412	4550002960	S.TAN TEESVA 1C 155M8R	B	25.1/5.2
C413	4030016930	S.CER ECJ0EB1A104K	B	36.9/2.1
C414	4510008500	S.ELE EEE1CA101WP	B	47.2/12.7
C415	4030016950	S.CER ECJ0EB1A473K	B	37/8.2
C416	4510009020	S.ELE EEE0JA331P	B	39.2/13.4
C417	4030017460	S.CER ECJ0EB1E102K	B	38.7/18.9
C418	4030017460	S.CER ECJ0EB1E102K	B	56.6/33.4
C419	4030017460	S.CER ECJ0EB1E102K	B	57/16
C420	4510008040	S.ELE EEFCD 0K 330R	B	56/6.2
C421	4030018520	S.CER C1608 JB 0J 225M-T	B	54.7/16.2
C500	4030016930	S.CER ECJ0EB1A104K	B	77.6/16.3
C501	4030017460	S.CER ECJ0EB1E102K	B	72.3/16.2
C503	4030017460	S.CER ECJ0EB1E102K	B	70.6/16.5
C504	4030016930	S.CER ECJ0EB1A104K	B	69.1/16.2
C505	4030016930	S.CER ECJ0EB1A104K	B	72.4/18.1
C506	4030017460	S.CER ECJ0EB1E102K	B	70.1/24.6
C507	4030017400	S.CER ECJ0EC1H220J	B	56.3/44.7
C508	4030018860	S.CER ECJ0EB0J105K	B	56.4/46.8
C509	4030017460	S.CER ECJ0EB1E102K	T	49.3/50.4
C510	4030016930	S.CER ECJ0EB1A104K	T	47.7/50.6
C511	4030016930	S.CER ECJ0EB1A104K	B	45.1/51.1
C512	4030017030	S.CER ECJ0EB1A273K	B	45.5/44.5
C513	4030017030	S.CER ECJ0EB1A273K	B	44.6/46.1
C514	4030017460	S.CER ECJ0EB1E102K	B	45.8/37.3
C515	4030016930	S.CER ECJ0EB1A104K	B	43.6/41.8
C516	4030017760	S.CER ECJ0EB1H222K	B	50.9/42.3
C517	4030016930	S.CER ECJ0EB1A104K	B	70/41
C518	4030016930	S.CER ECJ0EB1A104K	B	81/43.4
C519	4550006930	S.TAN TEESVP 0J 225M8R	B	81.1/42
C520	4030017420	S.CER ECJ0EC1H470J	B	72.8/40.6
C521	4550007730	S.TAN TEESVJ 0J 106M8R	B	68.6/43
C522	4030016930	S.CER ECJ0EB1A104K	B	76.6/50.9
C523	4030016930	S.CER ECJ0EB1A104K	B	77.5/50.9
C524	4030016970	S.CER ECJ0EB1C223K	B	71.5/50.9
C525	4030016950	S.CER ECJ0EB1A473K	B	74.3/50.9
C526	4030016930	S.CER ECJ0EB1A104K	B	69.6/43.4
C527	4030016930	S.CER ECJ0EB1A104K	B	58.3/47.4
C528	4030018860	S.CER ECJ0EB0J105K	B	57.2/43.5
C529	4030016930	S.CER ECJ0EB1A104K	T	62.8/47
C530	4030016930	S.CER ECJ0EB1A104K	B	75.3/18.8
C531	4030016930	S.CER ECJ0EB1A104K	B	81.2/18.7
C532	4030017460	S.CER ECJ0EB1E102K	B	79.2/19.7
C534	4030017460	S.CER ECJ0EB1E102K	B	80.9/19.7
C535	4030016930	S.CER ECJ0EB1A104K	B	80.9/20.6
C536	4030016930	S.CER ECJ0EB1A104K	B	85.7/17.4
C537	4030016930	S.CER ECJ0EB1A104K	B	83.7/22.4
C538	4030016930	S.CER ECJ0EB1A104K	B	80.6/22.4
C539	4030016930	S.CER ECJ0EB1A104K	B	79/22.4
C540	4030016930	S.CER ECJ0EB1A104K	B	69.1/30.7
C541	4030016930	S.CER ECJ0EB1A104K	B	69.1/38.1
C542	4030016930	S.CER ECJ0EB1A104K	B	81.4/40.6
C543	4030016930	S.CER ECJ0EB1A104K	B	79.3/40.5
C544	4030016930	S.CER ECJ0EB1A104K	B	77.2/40.5
C545	4030016930	S.CER ECJ0EB1A104K	B	86.4/39.5
C546	4030017420	S.CER ECJ0EC1H470J	B	85.5/39.5
C547	4030017460	S.CER ECJ0EB1E102K	B	64.7/28.8
C548	4550006930	S.TAN TEESVP 0J 225M8R	T	66.9/29.4
C549	4030017460	S.CER ECJ0EB1E102K	T	66.9/31.5
C550	4030017460	S.CER ECJ0EB1E102K	T	66.4/35.2
C551	4030012610	S.CER C2012 JB 1C 474K-T	B	64.8/11.1
C552	4030018860	S.CER ECJ0EB0J105K	B	62.7/14.9
C553	4030018860	S.CER ECJ0EB0J105K	B	63.6/14.9
C554	4550007680	S.TAN TEESVP 0J 226M8R	B	64.8/17.3
C555	4550006250	S.TAN TEESVA 1A 106M8R	B	64.7/25.8
C556	4030016930	S.CER ECJ0EB1A104K	B	63.1/24.9
C557	4030017460	S.CER ECJ0EB1E102K	B	21.7/15.9
C600	4030017420	S.CER ECJ0EC1H470J	B	14.1/42.6
C602	4030017460	S.CER ECJ0EB1E102K	B	36.5/52.2
C603	4030017460	S.CER ECJ0EB1E102K	B	39.8/52.5
C604	4030017460	S.CER ECJ0EB1E102K	B	40.7/29.7
C605	4030017460	S.CER ECJ0EB1E102K	B	40.9/26.9
J1	6510025370	S.CNR AXK816145YG	B	84.2/47.3
J200	6510025170	S.CNR IMSA-9631S-27Y-921	B	30.6/27.4
J600	6510024131	S.CNR IMSA-9637S-40Y905	B	22/11.4
J601	6510026410	S.CNR SM10B-SRSS-TB (LF) (SN)	B	6.8/41.6

[LOGIC UNIT]

REF NO.	ORDER NO.	DESCRIPTION	M.	H/V LOCATION
DS1	5030002880	LCD HLM7972-010100		
DS201	5040002670	S.LED CL-165HR/YG	T	39.1/7.1
DS202	5040003280	S.LED RY-SP192UYG24-5M <VKH>	T	87.8/13.9
DS203	5040003280	S.LED RY-SP192UYG24-5M <VKH>	T	87.8/22.9
DS204	5040003280	S.LED RY-SP192UYG24-5M <VKH>	T	87.8/40.9
DS205	5040003280	S.LED RY-SP192UYG24-5M <VKH>	T	80.1/13.9
DS206	5040003280	S.LED RY-SP192UYG24-5M <VKH>	T	80.1/22.9
DS207	5040003280	S.LED RY-SP192UYG24-5M <VKH>	T	72.4/40.9
DS208	5040003280	S.LED RY-SP192UYG24-5M <VKH>	T	54.6/11.4
DS209	5040003280	S.LED RY-SP192UYG24-5M <VKH>	T	62.4/15.4
DS210	5040002961	S.LED SML-A12MT T86J	T	4.4/18.4
DS211	5040002961	S.LED SML-A12MT T86J	T	4.4/36.4
MC300	7700002850	MIC EM6022P-65B-G <HOR>		
SP1	2510001420	SP PSC-2849PA <PRI>		
W1	7120000470	JMP ERDS2T0		
W2	8900007682	CBL OPC-741A-1 (P0.5,N40,L55)		
EP50	6910018460	S.BEA MMZ1005Y102C-T	B	23.5/45.2
EP51	6910018460	S.BEA MMZ1005Y102C-T	B	12.7/45.5
EP52	6910018460	S.BEA MMZ1005Y102C-T	B	11.3/45.8
EP53	6910018460	S.BEA MMZ1005Y102C-T	B	13.1/44.3
EP100	6910018460	S.BEA MMZ1005Y102C-T	B	98.5/46.9
EP101	6910018460	S.BEA MMZ1005Y102C-T	B	92.6/38.5
EP102	6910018460	S.BEA MMZ1005Y102C-T	B	96.7/26.2
EP500	6910018460	S.BEA MMZ1005Y102C-T	B	78.5/16.3
EP501	6910018460	S.BEA MMZ1005Y102C-T	B	72.9/21.2
EP502	6910018460	S.BEA MMZ1005Y102C-T	T	57.4/51
EP503	6910018460	S.BEA MMZ1005Y102C-T	B	43.6/40.2
EP504	6910018460	S.BEA MMZ1005Y102C-T	B	70.4/39.8
EP505	6910018460	S.BEA MMZ1005Y102C-T	B	74.4/40.6
EP506	6910018460	S.BEA MMZ1005Y102C-T	B	70/44.6
EP507	6910018460	S.BEA MMZ1005Y102C-T	T	60.6/47.5
EP508	6910018460	S.BEA MMZ1005Y102C-T	B	73.4/19.5
EP509	6910018460	S.BEA MMZ1005Y102C-T	B	64.6/22.9
EP511	6910018460	S.BEA MMZ1005Y102C-T	B	10.9/38.1
EP512	6910018460	S.BEA MMZ1005Y102C-T	B	11.8/38.2
EP514	6910018460	S.BEA MMZ1005Y102C-T	B	11.6/41.5
EP515	6910018460	S.BEA MMZ1005Y102C-T	B	12.9/42.3
EP516	6910018460	S.BEA MMZ1005Y102C-T	B	11.4/43.1
EP517	6910018460	S.BEA MMZ1005Y102C-T	B	16.3/43.2

M.=Mounted side (T: Mounted on the Top side, B: Mounted on the Bottom side)
S.=Surface mount

[MAIN UNIT]

REF NO.	ORDER NO.	DESCRIPTION	M.	H/V LOCATION
IC50	1110005230	S.IC uPC2757TB-E3	T	34.3/13.3
IC100	1110003201	S.IC TA31136FNG (EL)	T	12.4/39.2
IC150	1110006380	S.IC LM2904PWR	T	15.4/32.2
IC200	1110003201	S.IC TA31136FNG (EL)	B	23/15.2
IC250	1110006380	S.IC LM2904PWR	T	15.4/27
IC400	1130011671	S.IC MB15E03SLPFV1-G-ER-6E1	T	41.6/8.1
IC500	1130011770	S.IC CD4066BPWR	B	9.3/27.2
IC501	1110003800	S.IC NJM2904V-TE1-#FMZB	B	21.3/26.8
IC502	1110003800	S.IC NJM2904V-TE1-#FMZB	B	21.3/31.8
IC600	1190001350	S.IC M62364FP 600D	B	33/28.3
IC700	1130011770	S.IC CD4066BPWR	T	33.4/29.6
IC701	1130011760	S.IC CD4094BPWR	B	41.7/20.8
IC702	1130011760	S.IC CD4094BPWR	B	41.6/15.1
IC703	1130011770	S.IC CD4066BPWR	T	26.2/29.6
IC704	1110006380	S.IC LM2904PWR	B	44.7/41.5
Q1	1530002601	S.TR 2SC4215-O (TE85R,F)	T	34.9/37.6
Q2	1530002601	S.TR 2SC4215-O (TE85R,F)	T	29.9/39.7
Q100	1530002601	S.TR 2SC4215-O (TE85R,F)	T	20/45.4
Q101	1590003280	S.TR UNR9211J-(TX)	B	19.1/46.2
Q102	1590002380	S.TR XP1115 (TX)	B	18.9/43.6
Q103	1590001190	S.TR XP6501-(TX) .AB	B	7.5/46.2
Q104	1590001190	S.TR XP6501-(TX) .AB	B	6.4/41.3
Q105	1590003250	S.TR UNR9115J-(TX)	B	8.8/40.8
Q150	1590003250	S.TR UNR9115J-(TX)	T	22.6/36.1
Q151	1590003280	S.TR UNR9211J-(TX)	T	24.9/36
Q200	1530002601	S.TR 2SC4215-O (TE85R,F)	B	27.7/11
Q201	1590003290	S.TR UNR9213J-(TX)	T	22.6/22
Q202	1590001190	S.TR XP6501-(TX) .AB	T	15.5/32
Q203	1590001190	S.TR XP6501-(TX) .AB	T	11/4.8
Q204	1590003250	S.TR UNR9115J-(TX)	T	12.4/7.3
Q205	1590003250	S.TR UNR9115J-(TX)	T	18.6/10
Q250	1590003250	S.TR UNR9115J-(TX)	T	10.1/23.9
Q300	1590003230	S.TR UNR9113J-(TX)	T	31.8/3.8
Q301	1530003560	S.TR 2SC5195-T1	T	29.6/8.6
Q350	1590003230	S.TR UNR9113J-(TX)	T	25.2/4.2
Q351	1530003560	S.TR 2SC5195-T1	T	26.4/12.4
Q353	1530003260	S.TR 2SC5006-T1	T	29.1/13.5
Q450	1530002601	S.TR 2SC4215-O (TE85R,F)	T	46.3/16.3
Q451	1530002601	S.TR 2SC4215-O (TE85R,F)	T	34.4/19.3
Q452	1530002601	S.TR 2SC4215-O (TE85R,F)	T	36.3/22.7
Q453	1590002380	S.TR XP1115 (TX)	T	27.8/35.8
Q500	1590003280	S.TR UNR9211J-(TX)	B	13.4/26.1
Q501	1590003280	S.TR UNR9211J-(TX)	B	13.6/29.9
Q502	1530004000	S.TR 2SC4738-GR (TE85L,F)	B	25.2/35.3
Q603	1590003250	S.TR UNR9115J-(TX)	B	36/21.7
Q604	1590002380	S.TR XP1115 (TX)	B	35.4/19.3
Q650	1590003280	S.TR UNR9211J-(TX)	B	49.6/6.3
Q651	1590001170	S.TR XP1501-(TX) .AB	B	47.9/9.7
Q652	1520000460	S.TR 2SB1132 T100 R	B	49.3/17.3
Q700	1510001100	S.TR 2SA1832-GR (TE85R,F)	B	48.3/39.1
Q701	1590003290	S.TR UNR9213J-(TX)	B	50.5/41.2
D2	1750000361	S.DIO 1SS364 (TE85L,F)	B	41.2/36.6
D3	1750000361	S.DIO 1SS364 (TE85L,F)	T	23.3/46.4
D10	1750001210	S.DIO HSB88A8TR-E	T	34.9/40.2
D100	1790001240	S.DIO MA2S728-(TX)	T	22.5/41.3
D102	1790000850	S.DIO MA132WK (TX)	T	4.9/42
D103	1790000850	S.DIO MA132WK (TX)	B	12.1/40.1
D104	1790001240	S.DIO MA2S728-(TX)	B	5.4/44.5
D105	1790001250	S.DIO MA2S111-(TX)	B	9.9/35.5
D200	1790001240	S.DIO MA2S728-(TX)	B	29.9/12.8
D202	1750000361	S.DIO 1SS364 (TE85L,F)	B	18.7/17.6
D203	1750000361	S.DIO 1SS364 (TE85L,F)	B	19.3/11.4
D204	1790001240	S.DIO MA2S728-(TX)	T	13.1/3.2
D205	1790001250	S.DIO MA2S111-(TX)	T	6.5/9.8
D300	1750001270	S.VCP 1SV325 (TPH3,F)	T	34.4/9.5
D301	1750000771	S.VCP HVC376BTRF-E	T	43.6/7.7
D350	1750000721	S.VCP HVC375BTRF-E	T	26.9/9
D351	1790000850	S.DIO MA132WK (TX)	T	27.9/7.3
D352	1750000721	S.VCP HVC375BTRF-E	T	25.1/8.5
D450	1750000361	S.DIO 1SS364 (TE85L,F)	T	27.3/24.2
D451	1790001240	S.DIO MA2S728-(TX)	T	50.4/10.8
D452	1790000850	S.DIO MA132WK (TX)	T	25.9/20.2
D700	1730002260	S.ZEN MA8030-H (TX)	T	32/34.2
FI1	2030000450	S.MLH FL-394 (61.65 MHz)	T	31.8/44.8
FI2	2020001800	S.CER SFECV13M3DA0001-BO	T	25.1/40.7
FI50	2030000150	S.MLH FL-335 (46.350 MHz)	B	32.1/5.7
FI100	2020002480	S.CER LTWC450E1 <JJE>	T	11.2/46.6
FI200	2020002480	S.CER LTWC450E1 <JJE>	B	11.4/15.7
FI201	2020002180	S.CER CFWKA450KHFA-R0	B	13.8/5.3
X100	6070000300	S.DCR JTBM450CX24 <JJE>	B	16.4/38.3
X200	6070000300	S.DCR JTBM450CX24 <JJE>	T	16.7/21.7
X450	6050012380	S.XTL CR-826 (15.3 MHz)	T	47.9/8.9
L1	6200005140	S.COL MLF1608D R33K-T	T	32.8/40.1
L10	6200010381	S.COL ELJRE R15JFA	B	37.7/35.5
L30	6200009181	S.COL ELJRE R10JFA	B	34.7/35.5
L50	6200011021	S.COL ELJRF 82NJFB	T	31.1/14.6
L100	6200003630	S.COL MLF1608D R68K-T	T	19.9/43.5
L101	6200003131	S.COL NLV32T-120J	B	15.7/43.6
L200	6200003630	S.COL MLF1608D R68K-T	B	27.2/14.8
L301	6200011580	S.COL LQW18AN33NG00D	T	32.9/9.6
L351	6200009220	S.COL LQW18AN15NG00D	T	25.1/9.8
L450	6200005190	S.COL MLF1608D R56K-T	T	32.4/20.3
L451	6200005190	S.COL MLF1608D R56K-T	T	28.8/19.4
L452	6200004790	S.COL MLF1608D R47K-T	T	34.3/23.9

[MAIN UNIT]

REF NO.	ORDER NO.	DESCRIPTION	M.	H/V LOCATION
L453	6200004790	S.COL MLF1608D R47K-T	T	30.6/22.7
L454	6200004920	S.COL MLF1608A 2R2K-T	T	50/5.2
R6	7030007290	S.RES ERJ2GEJ 222 X (2.2 k)	B	42.8/36.6
R7	7030007290	S.RES ERJ2GEJ 222 X (2.2 k)	T	38.4/43.4
R8	7030007280	S.RES ERJ2GEJ 331 X (330)	T	37/43.1
R9	7030007280	S.RES ERJ2GEJ 331 X (330)	T	26.9/47
R10	7030007290	S.RES ERJ2GEJ 222 X (2.2 k)	T	25/47.9
R11	7030007290	S.RES ERJ2GEJ 222 X (2.2 k)	T	23.4/47.9
R14	7030005580	S.RES ERJ2GEJ 560 X (56)	B	39.7/35.8
R15	7030005170	S.RES ERJ2GEJ 474 X (470 k)	T	33.2/37.9
R16	7030004980	S.RES ERJ2GEJ 101 X (100)	T	37.6/38.3
R17	7030005170	S.RES ERJ2GEJ 474 X (470 k)	T	30.4/37.9
R18	7030007280	S.RES ERJ2GEJ 331 X (330)	T	28/39.1
R19	7030007290	S.RES ERJ2GEJ 222 X (2.2 k)	T	23.8/44.9
R23	7030010040	S.RES ERJ2GEJ-JPW	T	28/37.5
R24	7030007280	S.RES ERJ2GEJ 331 X (330)	T	25.9/45.7
R25	7030005290	S.RES ERJ2GEJ 682 X (6.8 k)	T	32/37.8
R51	7030007270	S.RES ERJ2GEJ 151 X (150)	B	35.3/9.3
R52	7030009160	S.RES ERJ2GEJ 181 X (180)	B	26.9/7.8
R55	7030005120	S.RES ERJ2GEJ 102 X (1 k)	B	50.6/37
R100	7030007340	S.RES ERJ2GEJ 153 X (15 k)	T	20.5/42.1
R101	7030005290	S.RES ERJ2GEJ 682 X (6.8 k)	T	21.4/42.1
R102	7030004990	S.RES ERJ2GEJ 221 X (220)	T	21.7/47.5
R104	7030004990	S.RES ERJ2GEJ 221 X (220)	T	19.6/42.1
R105	7030007570	S.RES ERJ2GEJ 122 X (1.2 k)	B	16.1/47.4
R106	7030005120	S.RES ERJ2GEJ 102 X (1 k)	T	17.6/37.9
R107	7030005240	S.RES ERJ2GEJ 473 X (47 k)	T	18.8/39.5
R108	7030005030	S.RES ERJ2GEJ 152 X (1.5 k)	T	7.7/39.3
R111	7030005100	S.RES ERJ2GEJ 154 X (150 k)	T	9.1/35.2
R112	7030005120	S.RES ERJ2GEJ 102 X (1 k)	T	7.5/35.2
R113	7030005310	S.RES ERJ2GEJ 124 X (120 k)	T	8.2/37.4
R114	7030008010	S.RES ERJ2GEJ 123 X (12 k)	T	3.5/41.8
R115	7030008010	S.RES ERJ2GEJ 123 X (12 k)	B	6.7/42
R116	7030008010	S.RES ERJ2GEJ 123 X (12 k)	B	11.1/41.6
R117	7030005120	S.RES ERJ2GEJ 102 X (1 k)	B	11.4/42.9
R118	7030008010	S.RES ERJ2GEJ 123 X (12 k)	B	12.6/37.1
R119	7030008010	S.RES ERJ2GEJ 123 X (12 k)	B	11.7/37.1
R120	7030005030	S.RES ERJ2GEJ 152 X (1.5 k)	B	8.5/43.3
R121	7030005120	S.RES ERJ2GEJ 102 X (1 k)	B	6.9/43.3
R122	7030005220	S.RES ERJ2GEJ 223 X (22 k)	B	6.9/44.3
R123	7030005100	S.RES ERJ2GEJ 154 X (150 k)	B	9.3/45.7
R124	7030005240	S.RES ERJ2GEJ 473 X (47 k)	B	4.7/42.4
R125	7030005700	S.RES ERJ2GEJ 274 X (270 k)	B	4.7/40.3
R126	7030005110	S.RES ERJ2GEJ 224 X (220 k)	B	7.8/39.1
R127	7030005040	S.RES ERJ2GEJ 472 X (4.7 k)	B	7.8/37.3
R129	7030004980	S.RES ERJ2GEJ 101 X (100)	B	4.3/44.1
R130	7030007340	S.RES ERJ2GEJ 153 X (15 k)	B	10.2/45.7
R131	7030005040	S.RES ERJ2GEJ 472 X (4.7 k)	B	9.9/37.4
R132	7030005050	S.RES ERJ2GEJ 103 X (10 k)	B	7.8/35.5
R133	7030005220	S.RES ERJ2GEJ 223 X (22 k)	B	8.3/34.3
R150	7030005050	S.RES ERJ2GEJ 103 X (10 k)	T	20.2/30.1
R151	7030005090	S.RES ERJ2GEJ 104 X (100 k)	T	22.1/29.6
R152	7030005080	S.RES ERJ2GEJ 823 X (82 k)	T	8.2/30.3
R153	7030005080	S.RES ERJ2GEJ 823 X (82 k)	T	9.1/32
R154	7030005080	S.RES ERJ2GEJ 823 X (82 k)	T	10.5/32.2
R155	7030005230	S.RES ERJ2GEJ 334 X (330 k)	T	9.1/30.3
R156	7030005100	S.RES ERJ2GEJ 154 X (150 k)	T	18.6/30.1
R157	7030005070	S.RES ERJ2GEJ 683 X (68 k)	T	20.2/33.7
R158	7030005240	S.RES ERJ2GEJ 473 X (47 k)	T	19.8/32.3
R159	7030005160	S.RES ERJ2GEJ 105 X (1 M)	T	20.7/32.3
R200	7030007340	S.RES ERJ2GEJ 153 X (15 k)	B	28.1/13.3
R201	7030005290	S.RES ERJ2GEJ 682 X (6.8 k)	B	29.2/9.1
R202	7030004990	S.RES ERJ2GEJ 221 X (220)	B	29.7/10
R204	7030004990	S.RES ERJ2GEJ 221 X (220)	B	29.3/14.8
R205	7030007290	S.RES ERJ2GEJ 222 X (2.2 k)	B	21/21.4
R206	7030008400	S.RES ERJ2GEJ 182 X (1.8 k)	T	21.8/20.2
R207	7030004980	S.RES ERJ2GEJ 101 X (100)	T	13.3/5.8
R209	7030005240	S.RES ERJ2GEJ 473 X (47 k)	B	22.2/21
R210	7030005030	S.RES ERJ2GEJ 152 X (1.5 k)	B	23.7/10.9
R214	7030005100	S.RES ERJ2GEJ 154 X (150 k)	B	17.6/14.8
R215	7030005120	S.RES ERJ2GEJ 102 X (1 k)	B	17.6/13.9
R216	7030005310	S.RES ERJ2GEJ 124 X (120 k)	B	19.7/15.5
R217	7030005120	S.RES ERJ2GEJ 102 X (1 k)	B	14.7/35.5
R218	7030005030	S.RES ERJ2GEJ 152 X (1.5 k)	T	15.9/6
R219	7030005220	S.RES ERJ2GEJ 223 X (22 k)	T	13.8/4.6
R220	7030005100	S.RES ERJ2GEJ 154 X (150 k)	T	17.3/4.6
R221	7030005240	S.RES ERJ2GEJ 473 X (47 k)	T	10.4/7.1
R223	7030005110	S.RES ERJ2GEJ 224 X (220 k)	T	9.2/4.8
R224	7030005700	S.RES ERJ2GEJ 274 X (270 k)	T	9.7/2.8
R225	7030005040	S.RES ERJ2GEJ 472 X (4.7 k)	T	6.9/7.5
R227	7030008410	S.RES ERJ2GEJ 392 X (3.9 k)	B	19.7/19.3
R228	7030008010	S.RES ERJ2GEJ 123 X (12 k)	B	17/11.2
R229	7030008010	S.RES ERJ2GEJ 123 X (12 k)	B	17/10.3
R230	7030008010	S.RES ERJ2GEJ 123 X (12 k)	B	18.8/19.3
R231	7030008410	S.RES ERJ2GEJ 392 X (3.9 k)	B	19.9/6.9
R232	7030008010	S.RES ERJ2GEJ 123 X (12 k)	B	17.9/19.3
R233	7030007340	S.RES ERJ2GEJ 153 X (15 k)	T	17/3
R234	7030005220	S.RES ERJ2GEJ 223 X (22 k)	T	5.4/11
R250	7030005050	S.RES ERJ2GEJ 103 X (10 k)	T	21.4/25.1
R251	7030005090	S.RES ERJ2GEJ 104 X (100 k)	T	23/25.1
R252	7030005080	S.RES ERJ2GEJ 823 X (82 k)	T	8.3/26
R253	7030005080	S.RES ERJ2GEJ 823 X (82 k)	T	9.2/28.3
R254	7030005080	S.RES ERJ2GEJ 823 X (82 k)	T	10.1/28.3
R255	70300052			

[MAIN UNIT]

REF NO.	ORDER NO.	DESCRIPTION	M.	H/V LOCATION
R304	7030005120	S.RES ERJ2GEJ 102 X (1 k)	T	35.3/7.8
R305	7030005040	S.RES ERJ2GEJ 472 X (4.7 k)	T	9/8.8
R306	7030005050	S.RES ERJ2GEJ 103 X (10 k)	T	6.9/11.4
R350	7030004970	S.RES ERJ2GEJ 470 X (47)	T	25/6.6
R351	7030005290	S.RES ERJ2GEJ 682 X (6.8 k)	T	26.1/10.8
R352	7030005050	S.RES ERJ2GEJ 103 X (10 k)	T	24.5/12.7
R353	7030007280	S.RES ERJ2GEJ 331 X (330)	T	24.5/13.6
R354	7030007270	S.RES ERJ2GEJ 151 X (150)	T	30.2/12.2
R355	7030005070	S.RES ERJ2GEJ 683 X (68 k)	T	29.2/14.9
R356	7030005120	S.RES ERJ2GEJ 102 X (1 k)	T	26.3/7
R400	7030005120	S.RES ERJ2GEJ 102 X (1 k)	T	42.8/3.8
R401	7030005120	S.RES ERJ2GEJ 102 X (1 k)	T	42.8/2.3
R402	7030005120	S.RES ERJ2GEJ 102 X (1 k)	T	45.3/3.4
R403	7030005120	S.RES ERJ2GEJ 102 X (1 k)	T	45.3/2.5
R404	7030009270	S.RES ERJ2GEJ 821 X (820)	B	43.1/9.6
R405	7030008250	S.RES RR0510P-562-D (5.6 k)	B	39.5/7.9
R406	7030011170	S.RES RR0510P-471-D (470)	B	40/9.1
R410	7030005580	S.RES ERJ2GEJ 560 X (56)	T	39.3/15
R450	7030006610	S.RES ERJ2GEJ 394 X (390 k)	T	50.2/12.4
R451	7030007340	S.RES ERJ2GEJ 153 X (15 k)	T	49/12.9
R452	7030005100	S.RES ERJ2GEJ 154 X (150 k)	T	46.9/14.2
R453	7030005700	S.RES ERJ2GEJ 274 X (270 k)	T	48.1/12.9
R455	7030004980	S.RES ERJ2GEJ 101 X (100)	T	43.2/15.9
R456	7030005070	S.RES ERJ2GEJ 683 X (68 k)	T	44.5/15.8
R457	7030005080	S.RES ERJ2GEJ 823 X (82 k)	T	48.3/16.8
R458	7030005120	S.RES ERJ2GEJ 102 X (1 k)	T	48.3/15.9
R459	7030005000	S.RES ERJ2GEJ 471 X (470)	T	30.3/20.1
R460	7030005090	S.RES ERJ2GEJ 104 X (100 k)	T	36.3/20
R470	7030005000	S.RES ERJ2GEJ 471 X (470)	T	32.2/24
R471	7030005110	S.RES ERJ2GEJ 224 X (220 k)	T	36.5/24.5
R472	7030007290	S.RES ERJ2GEJ 222 X (2.2 k)	T	27.5/22.7
R473	7030007290	S.RES ERJ2GEJ 222 X (2.2 k)	T	29.3/24.8
R474	7030007290	S.RES ERJ2GEJ 222 X (2.2 k)	T	25.7/23.8
R500	7030005090	S.RES ERJ2GEJ 104 X (100 k)	B	9.9/22.6
R501	7030005120	S.RES ERJ2GEJ 102 X (1 k)	B	13.7/24.5
R502	7030008010	S.RES ERJ2GEJ 123 X (12 k)	B	15/27.9
R503	7030007340	S.RES ERJ2GEJ 153 X (15 k)	B	15.9/27.9
R504	7030007060	S.RES ERJ2GEJ 684X (680 k)	B	16.8/25.4
R505	7030005110	S.RES ERJ2GEJ 224 X (220 k)	B	20.4/24.3
R506	7030005090	S.RES ERJ2GEJ 104 X (100 k)	B	14.1/28
R507	7030005220	S.RES ERJ2GEJ 223 X (22 k)	B	15.7/23.8
R508	7030005220	S.RES ERJ2GEJ 223 X (22 k)	B	26/25.9
R509	7030005220	S.RES ERJ2GEJ 223 X (22 k)	B	26/27.8
R550	7030005090	S.RES ERJ2GEJ 104 X (100 k)	B	13.2/33.5
R551	7030005120	S.RES ERJ2GEJ 102 X (1 k)	B	13.2/31.8
R552	7030008010	S.RES ERJ2GEJ 123 X (12 k)	B	14.2/33.5
R553	7030007340	S.RES ERJ2GEJ 153 X (15 k)	B	15.1/33.5
R554	7030007060	S.RES ERJ2GEJ 684X (680 k)	B	16.3/31.3
R555	7030005110	S.RES ERJ2GEJ 224 X (220 k)	B	21.3/29.3
R556	7030005090	S.RES ERJ2GEJ 104 X (100 k)	B	16/33.5
R557	7030005220	S.RES ERJ2GEJ 223 X (22 k)	B	16.7/29.9
R558	7030005220	S.RES ERJ2GEJ 223 X (22 k)	B	26/30.8
R559	7030005220	S.RES ERJ2GEJ 223 X (22 k)	B	26/32.6
R560	7030005100	S.RES ERJ2GEJ 154 X (150 k)	B	20.6/34.4
R562	7030005160	S.RES ERJ2GEJ 105 X (1 M)	B	22/35.6
R563	7030008280	S.RES ERJ2GEJ 271 X (270)	B	26.7/35.6
R564	7030005170	S.RES ERJ2GEJ 474 X (470 k)	B	26.8/35.6
R565	7030007290	S.RES ERJ2GEJ 222 X (2.2 k)	B	26.8/34.3
R566	7030005040	S.RES ERJ2GEJ 472 X (4.7 k)	B	27.6/30.8
R567	7030005050	S.RES ERJ2GEJ 103 X (10 k)	B	27.6/31.7
R600	7030005050	S.RES ERJ2GEJ 103 X (10 k)	B	28.1/27.5
R601	7030005160	S.RES ERJ2GEJ 105 X (1 M)	B	27.7/33.5
R602	7030005160	S.RES ERJ2GEJ 105 X (1 M)	B	32.3/25.4
R603	7030005050	S.RES ERJ2GEJ 103 X (10 k)	B	27.2/27.8
R604	7030005160	S.RES ERJ2GEJ 105 X (1 M)	B	27.2/26.2
R650	7030005160	S.RES ERJ2GEJ 105 X (1 M)	B	47.2/5.8
R651	7030005050	S.RES ERJ2GEJ 103 X (10 k)	B	47.2/7.4
R652	7030005000	S.RES ERJ2GEJ 471 X (470)	B	48.1/7.4
R653	7030005050	S.RES ERJ2GEJ 103 X (10 k)	B	50.6/8.1
R654	7030005040	S.RES ERJ2GEJ 472 X (4.7 k)	B	49.7/9.7
R700	7030005120	S.RES ERJ2GEJ 102 X (1 k)	T	5.3/28.5
R702	7030005220	S.RES ERJ2GEJ 223 X (22 k)	B	16.1/22.1
R703	7030005040	S.RES ERJ2GEJ 472 X (4.7 k)	B	17/23.3
R706	7030005950	S.RES RR0510R-123-D (12 k)	B	43.1/38.8
R707	7030005950	S.RES RR0510R-123-D (12 k)	B	42.2/38.8
R708	7030008270	S.RES RR0510P-104-D (100 k)	B	41.3/38.8
R709	7030008270	S.RES RR0510P-104-D (100 k)	B	44/38.8
R710	7030005050	S.RES ERJ2GEJ 103 X (10 k)	B	49.8/39.3
R711	7030005050	S.RES ERJ2GEJ 103 X (10 k)	B	50.7/39.3
R713	7030005050	S.RES ERJ2GEJ 103 X (10 k)	B	35.2/34.4
R714	7030005840	S.RES RR0510R-473-D (47 k)	B	40.4/40.4
R715	7030005840	S.RES RR0510R-473-D (47 k)	B	40.4/42
C3	4030016790	S.CER ECJ0EB1C103K	B	44/36.8
C4	4030016790	S.CER ECJ0EB1C103K	T	38/42.1
C5	4030017580	S.CER ECJ0EC1H060C	T	36.6/44.3
C6	4030017630	S.CER ECJ0EC1H120J	T	30.3/41.6
C7	4030017580	S.CER ECJ0EC1H060C	T	26.9/45.7
C8	4030016790	S.CER ECJ0EB1C103K	T	25.3/47
C9	4030016790	S.CER ECJ0EB1C103K	T	21.8/45.4
C10	4030017620	S.CER ECJ0EC1H100C	B	33.7/35.7
C12	4030016790	S.CER ECJ0EB1C103K	T	36.7/38.3
C13	4030017430	S.CER ECJ0EC1H101J	T	31.7/39
C14	4030017460	S.CER ECJ0EB1E102K	T	32/36.9
C15	4030016790	S.CER ECJ0EB1C103K	T	28/40.7
C16	4030016930	S.CER ECJ0EB1A104K	T	29.2/37.7
C17	4030016930	S.CER ECJ0EB1A104K	T	25/45.7
C18	4030017380	S.CER ECJ0EC1H050B	B	36.2/34.6
C19	4030017510	S.CER ECJ0EC1H680J	B	35.8/35.8
C20	4030017510	S.CER ECJ0EC1H680J	B	36.7/35.8
C24	4030017780	S.CER ECJ0EB1E472K	T	27.3/47.9
C25	4030017780	S.CER ECJ0EB1E472K	T	22.6/43.8
C26	4030017780	S.CER ECJ0EB1E472K	B	38.8/35.8

[MAIN UNIT]

REF NO.	ORDER NO.	DESCRIPTION	M.	H/V LOCATION
C29	4030017780	S.CER ECJ0EB1E472K	T	37.5/44.3
C30	4030016790	S.CER ECJ0EB1C103K	B	39.2/34.6
C50	4030017510	S.CER ECJ0EC1H680J	T	32.3/14.2
C51	4030017620	S.CER ECJ0EC1H100C	T	32.3/12.6
C52	4030017460	S.CER ECJ0EB1E102K	T	34.7/15.2
C54	4030016790	S.CER ECJ0EB1C103K	T	34.6/11.4
C56	4030017570	S.CER ECJ0EC1H040B	B	36.7/5.7
C57	4030017390	S.CER ECJ0EC1H180J	B	33.8/2.4
C58	4030017570	S.CER ECJ0EC1H040B	B	27.6/5.7
C59	4030016790	S.CER ECJ0EB1C103K	B	27.4/9.1
C60	4030017510	S.CER ECJ0EC1H680J	T	32.3/15.1
C61	4030017620	S.CER ECJ0EC1H100C	B	51.5/36.3
C102	4030016790	S.CER ECJ0EB1C103K	T	20.8/47.5
C104	4030017460	S.CER ECJ0EB1E102K	T	19.9/47.5
C105	4030016790	S.CER ECJ0EB1C103K	T	18.7/42.1
C106	4030017460	S.CER ECJ0EB1E102K	B	17.7/46.5
C108	4030017510	S.CER ECJ0EC1H680J	B	16.1/46.5
C109	4030018140	S.CER ECJ0EB1H391K	B	16.1/45.6
C111	4030017680	S.CER ECJ0EC1H820J	T	16.7/37.9
C112	4030017430	S.CER ECJ0EC1H101J	T	16.7/40
C113	4030016790	S.CER ECJ0EB1C103K	T	18.8/40.4
C114	4550006010	S.TAN TEESVA OG 106M8R	T	20.7/38.3
C115	4030016930	S.CER ECJ0EB1A104K	T	18.8/36.7
C116	4030016930	S.CER ECJ0EB1A104K	T	18.8/37.6
C117	4030017040	S.CER ECJ0EB1A333K	T	17.6/40
C118	4030017460	S.CER ECJ0EB1E102K	T	17.1/36.7
C119	4030017460	S.CER ECJ0EB1E102K	T	17.1/35.8
C120	4030017460	S.CER ECJ0EB1E102K	T	10.3/35.7
C121	4030017730	S.CER ECJ0EB1E471K	T	9.1/36.1
C122	4030017730	S.CER ECJ0EB1E471K	T	7.5/36.1
C123	4030016930	S.CER ECJ0EB1A104K	T	7.7/40.2
C124	4030016930	S.CER ECJ0EB1A104K	B	11.9/38.5
C125	4030016930	S.CER ECJ0EB1A104K	T	11.2/35.7
C126	4030017430	S.CER ECJ0EC1H101J	B	10.6/40.4
C127	4030018900	S.CER ECJ0EB0J474K	B	5.8/46.7
C128	4030016790	S.CER ECJ0EB1C103K	B	8.5/44.3
C129	4030017460	S.CER ECJ0EB1E102K	B	3.8/42.4
C130	4550006120	S.TAN TEESVA OG 226M8R	B	2.2/41.2
C131	4030016930	S.CER ECJ0EB1A104K	B	9.9/38.3
C132	4030017460	S.CER ECJ0EB1E102K	B	9.9/39.2
C133	4030017460	S.CER ECJ0EB1E102K	B	3.8/40.3
C134	4030016790	S.CER ECJ0EB1C103K	B	7.8/36.4
C135	4030018860	S.CER ECJ0EB0J105K	B	8.3/32.6
C136	4030016930	S.CER ECJ0EB1A104K	T	4.5/44
C137	4030016930	S.CER ECJ0EB1A104K	B	12.3/42
C138	4030016790	S.CER ECJ0EB1C103K	T	13.7/35.9
C142	4030017430	S.CER ECJ0EC1H101J	B	9.7/43.8
C143	4030018860	S.CER ECJ0EB0J105K	B	9.9/36.5
C144	4030018860	S.CER ECJ0EB0J105K	B	7.8/38.2
C150	4030017770	S.CER ECJ0EB1E332K	T	21.6/30.8
C151	4030017720	S.CER ECJ0EB1H331K	T	22.5/30.8
C152	4030016940	S.CER ECJ0EB1A393K	T	8.2/32
C153	4030017910	S.CER ECJ0EB1H152K	T	10.9/31
C154	4030016930	S.CER ECJ0EB1A104K	T	10.5/33.1
C155	4030018860	S.CER ECJ0EB0J105K	T	16/29.8
C156	4030016930	S.CER ECJ0EB1A104K	T	10/30.3
C157	4030016930	S.CER ECJ0EB1A104K	T	21.8/33.7
C158	4030017430	S.CER ECJ0EC1H101J	T	20.2/31
C159	4030017460	S.CER ECJ0EB1E102K	T	25.9/34.5
C160	4030017460	S.CER ECJ0EB1E102K	T	22.2/34.7
C203	4030016790	S.CER ECJ0EB1C103K	B	29.7/10.9
C204	4030017460	S.CER ECJ0EB1E102K	B	29.7/11.8
C205	4030016790	S.CER ECJ0EB1C103K	B	26.4/16.3
C206	4030016930	S.CER ECJ0EB1A104K	T	21.3/23.6
C207	4030017680	S.CER ECJ0EC1H820J	B	21.8/19.4
C208	4030016930	S.CER ECJ0EB1A104K	T	21.4/19
C210	4030017460	S.CER ECJ0EB1E102K	T	22.9/23.6
C211	4030017430	S.CER ECJ0EC1H101J	B	24.1/20.3
C212	4030017040	S.CER ECJ0EB1A333K	B	23.4/19.4
C213	4030016790	S.CER ECJ0EB1C103K	B	26.2/19.9
C214	4550006010	S.TAN TEESVA OG 106M8R	B	26.6/22.1
C215	4030016930	S.CER ECJ0EB1A104K	B	25.3/19.9
C216	4030016930	S.CER ECJ0EB1A104K	B	24.1/9.6
C218	4030017460	S.CER ECJ0EB1E102K	B	19.7/20.9
C219	4030017460	S.CER ECJ0EB1E102K	B	19.7/22.5
C220	4030017460	S.CER ECJ0EB1E102K	B	17.6/15.7
C221	4030017730	S.CER ECJ0EB1E471K	B	18.8/13.5
C222	4030017730	S.CER ECJ0EB1E471K	B	19.3/14.8
C223	4030016930	S.CER ECJ0EB1A104K	B	19.7/16.3
C224	4030016930	S.CER ECJ0EB1A104K	B	22/10.9
C225	4030016930	S.CER ECJ0EB1A104K	B	20.8/9.6
C226	4030017420	S.CER ECJ0EC1H470J	T	18.5/5.1
C227	4030018900	S.CER ECJ0EB0J474K	T	12.9/4.6
C228	4030016790	S.CER ECJ0EB1C103K	T	15.9/5.1
C229	4030017460	S.CER ECJ0EB1E102K	T	11.5/2.8
C230	4550006120	S.TAN TEESVA OG 226M8R	B	

[MAIN UNIT]

REF NO.	ORDER NO.	DESCRIPTION	M.	H/V LOCATION
C255	4030018860	S.CER ECJ0EB0J105K	T	12/25.1
C256	4030016930	S.CER ECJ0EB1A104K	T	10.1/26
C257	4030016930	S.CER ECJ0EB1A104K	T	21.9/27.7
C258	4030017430	S.CER ECJ0EC1H101J	T	20.1/25.9
C259	4030017460	S.CER ECJ0EB1E102K	T	10.6/21.8
C260	4030017460	S.CER ECJ0EB1E102K	T	9.6/21.8
C261	4030018860	S.CER ECJ0EB0J105K	T	9/7.9
C262	4030018860	S.CER ECJ0EB0J105K	T	7.7/10.1
C263	4030017460	S.CER ECJ0EB1E102K	B	43.5/11.8
C300	4030017460	S.CER ECJ0EB1E102K	T	33.9/4.2
C301	4030017460	S.CER ECJ0EB1E102K	T	33.9/3.3
C302	4550006010	S.TAN TEESVA OG 106M8R	T	32.3/5.9
C303	4030017460	S.CER ECJ0EB1E102K	T	31.5/8.3
C305	4030017640	S.CER ECJ0EC1H150J	T	31.5/7.4
C306	4030017650	S.CER ECJ0EC1H270J	T	30.2/10.6
C307	4030017420	S.CER ECJ0EC1H470J	T	31.5/10.1
C308	4030017340	S.CER ECJ0EC1H010B	T	28.9/10.7
C309	4030017400	S.CER ECJ0EC1H220J	T	25/7.5
C350	4030017460	S.CER ECJ0EB1E102K	T	27.3/4.7
C351	4030017460	S.CER ECJ0EB1E102K	T	27.3/3.7
C352	4030017460	S.CER ECJ0EB1E102K	T	25/5.6
C353	4030017430	S.CER ECJ0EC1H101J	T	24.5/10.8
C355	4030017640	S.CER ECJ0EC1H150J	T	27.3/11.1
C356	4030017630	S.CER ECJ0EC1H120J	T	26.4/14
C357	4030017390	S.CER ECJ0EC1H180J	T	24.5/11.8
C358	4030017550	S.CER ECJ0EC1H1R5B	T	27.5/14.9
C359	4030017460	S.CER ECJ0EB1E102K	T	31.1/13
C360	4030017460	S.CER ECJ0EB1E102K	T	28.9/12
C400	4030018890	S.CER ECJ0EB0J224K	T	41.2/14
C401	4030017460	S.CER ECJ0EB1E102K	T	41.2/14.9
C402	4030018890	S.CER ECJ0EB0J224K	T	41.2/16.7
C403	4030017460	S.CER ECJ0EB1E102K	T	41.2/15.8
C404	4030017460	S.CER ECJ0EB1E102K	T	40.2/12.8
C405	4030016790	S.CER ECJ0EB1C103K	T	44.5/14.2
C406	4030017420	S.CER ECJ0EC1H470J	T	41.2/3.5
C407	4030017420	S.CER ECJ0EC1H470J	T	41.2/2.6
C408	4030017420	S.CER ECJ0EC1H470J	T	45.3/4.3
C409	4030017420	S.CER ECJ0EC1H470J	T	45.3/1.6
C410	4030016930	S.CER ECJ0EB1A104K	T	41.4/12.8
C411	4550005980	S.TAN TEESVA 1A 475M8R	B	43.6/6.6
C412	4340000260	S.MLR ECPUC104MA5	T	35.6/5.3
C414	4550007610	S.TAN F931E474MAABMA	B	41.5/6.6
C415	4030017620	S.CER ECJ0EC1H100C	B	40/6.5
C416	4030017460	S.CER ECJ0EB1E102K	T	39.3/13.4
C450	4030016930	S.CER ECJ0EB1A104K	T	50.3/8.7
C451	4030017460	S.CER ECJ0EB1E102K	T	50.6/6.6
C452	4030018860	S.CER ECJ0EB0J105K	T	49/14.5
C453	4030017460	S.CER ECJ0EB1E102K	T	46.9/12.4
C454	4030017460	S.CER ECJ0EB1E102K	T	46.9/13.3
C455	4030016790	S.CER ECJ0EB1C103K	T	48.3/17.7
C456	4030016790	S.CER ECJ0EB1C103K	T	48.3/18.6
C457	4030017460	S.CER ECJ0EB1E102K	T	27.5/21.1
C458	4030016790	S.CER ECJ0EB1C103K	T	31.7/18.9
C459	4030017430	S.CER ECJ0EC1H101J	T	37.5/19.5
C460	4030017390	S.CER ECJ0EC1H180J	T	32.6/18.9
C461	4030017360	S.CER ECJ0EC1H030B	T	30.8/18.9
C462	4030017630	S.CER ECJ0EC1H120J	T	29.9/18.9
C463	4030017570	S.CER ECJ0EC1H040B	T	27.8/19.5
C464	4030017460	S.CER ECJ0EB1E102K	T	29.4/22.7
C465	4030016790	S.CER ECJ0EB1C103K	T	33.5/22.6
C466	4030017420	S.CER ECJ0EC1H470J	T	37.6/20.8
C467	4030017630	S.CER ECJ0EC1H120J	T	34.4/22.6
C468	4030017350	S.CER ECJ0EC1H020B	T	32.6/22.7
C469	4030017600	S.CER ECJ0EC1H080C	T	31.7/22.7
C470	4030017570	S.CER ECJ0EC1H040B	T	29.3/23.9
C471	4030017420	S.CER ECJ0EC1H470J	T	49.6/16.9
C472	4030017460	S.CER ECJ0EB1E102K	T	30/36.3
C473	4030016790	S.CER ECJ0EB1C103K	T	48.3/19.5
C474	4030017780	S.CER ECJ0EB1E472K	T	30/35.4
C475	4030017780	S.CER ECJ0EB1E472K	T	25.7/21.6
C476	4030017620	S.CER ECJ0EC1H100C	T	47.4/5.1
C477	4030017500	S.CER ECJ0EC1H560J	T	48.3/5.1
C478	4030017440	S.CER ECJ0EC1H221J	T	51.2/8.7
C479	4030018860	S.CER ECJ0EB0J105K	T	48.1/14.5
C500	4030016930	S.CER ECJ0EB1A104K	B	5.8/27.2
C501	4030017460	S.CER ECJ0EB1E102K	B	5.8/28.1
C502	4030017460	S.CER ECJ0EB1E102K	B	8.6/22.6
C503	4030017460	S.CER ECJ0EB1E102K	B	5.8/29
C504	4030016930	S.CER ECJ0EB1A104K	B	15/25.4
C505	4030016790	S.CER ECJ0EB1C103K	B	15.4/26.6
C506	4030017790	S.CER ECJ0EB1E682K	B	15.9/25.4
C507	4030018920	S.CER ECJ0EB1H392K	B	16.8/27
C508	4030016930	S.CER ECJ0EB1A104K	B	13.2/27.9
C509	4030016930	S.CER ECJ0EB1A104K	B	18.1/28.6
C510	4030016790	S.CER ECJ0EB1C103K	B	14.5/23.6
C512	4030017790	S.CER ECJ0EB1E682K	B	26/26.9
C513	4030017910	S.CER ECJ0EB1H152K	B	24.7/28.6
C514	4030016930	S.CER ECJ0EB1A104K	B	26.8/25
C550	4030016930	S.CER ECJ0EB1A104K	B	14.2/31.8
C551	4030016790	S.CER ECJ0EB1C103K	B	15.1/31.8
C552	4030017780	S.CER ECJ0EB1E472K	B	15.5/30.4
C553	4030018240	S.CER ECJ0EB1E562K	B	16.3/32.3
C554	4030016930	S.CER ECJ0EB1A104K	B	16.9/33.5
C555	4030016790	S.CER ECJ0EB1C103K	B	15.5/29.4
C556	4030017790	S.CER ECJ0EB1E682K	B	26/31.7
C557	4030017910	S.CER ECJ0EB1H152K	B	25.1/33.5
C558	4030016930	S.CER ECJ0EB1A104K	B	26/29.9
C559	4030016930	S.CER ECJ0EB1A104K	B	18.1/33.5
C560	4030018390	S.CER ECJ0EB1A563K	B	22.2/34.4
C561	4030017330	S.CER ECJ0EF1C104Z	B	22.9/35.6
C562	4030017460	S.CER ECJ0EB1E102K	B	21.1/35.6
C563	4030016930	S.CER ECJ0EB1A104K	B	29.1/36
C564	4030016930	S.CER ECJ0EB1A104K	B	27.3/32.9
C600	4550006970	S.TAN TEESVAOG476M8R	B	31.9/22

[MAIN UNIT]

REF NO.	ORDER NO.	DESCRIPTION	M.	H/V LOCATION
C601	4030017460	S.CER ECJ0EB1E102K	B	32.3/34.1
C602	4030017460	S.CER ECJ0EB1E102K	B	28.1/29.1
C603	4550006010	S.TAN TEESVA OG 106M8R	B	39.4/31.3
C614	4030017440	S.CER ECJ0EC1H221J	B	35.5/17.1
C650	4030017460	S.CER ECJ0EB1E102K	B	51.3/6.4
C651	4030017460	S.CER ECJ0EB1E102K	B	48.1/5.8
C652	4030017460	S.CER ECJ0EB1E102K	B	50.6/9.7
C653	4030017460	S.CER ECJ0EB1E102K	B	49.7/8.1
C654	4550006250	S.TAN TEESVA 1A 106M8R	B	49.3/12.1
C655	4030017440	S.CER ECJ0EC1H221J	B	50.6/13.9
C700	4030017460	S.CER ECJ0EB1E102K	T	29.8/30.3
C701	4030017460	S.CER ECJ0EB1E102K	T	29.8/29.4
C702	4030017460	S.CER ECJ0EB1E102K	B	37.3/16.6
C703	4030017460	S.CER ECJ0EB1E102K	B	40.3/24.1
C704	4030017460	S.CER ECJ0EB1E102K	T	5.1/18
C705	4030017460	S.CER ECJ0EB1E102K	T	5/34.3
C706	4030017460	S.CER ECJ0EB1E102K	T	5.3/27.5
C707	4030017460	S.CER ECJ0EB1E102K	B	46.7/38.8
C708	4030017460	S.CER ECJ0EB1E102K	B	48.9/41.2
C709	4030017460	S.CER ECJ0EB1E102K	B	40.4/38.8
C710	4030017460	S.CER ECJ0EB1E102K	B	44.9/38.8
C711	4030017460	S.CER ECJ0EB1E102K	T	29.8/26.2
C712	4030017460	S.CER ECJ0EB1E102K	T	29.8/27.1
C713	4030017460	S.CER ECJ0EB1E102K	T	22.5/32.4
C714	4030017460	S.CER ECJ0EB1E102K	T	23.4/32.8
C715	4030017460	S.CER ECJ0EB1E102K	T	29.8/28
C716	4030017460	S.CER ECJ0EB1E102K	T	29.8/31.2
C717	4030017460	S.CER ECJ0EB1E102K	T	29.8/32.1
C718	4030017460	S.CER ECJ0EB1E102K	T	29.8/33
C719	4030017460	S.CER ECJ0EB1E102K	B	45.8/38.8
C723	4030017420	S.CER ECJ0EC1H470J	B	17/22.1
C724	4030017400	S.CER ECJ0EC1H220J	T	46.8/47.8
C725	4030017400	S.CER ECJ0EC1H220J	T	41/47.8
C726	4030017400	S.CER ECJ0EC1H220J	T	40.3/44
C727	4030017400	S.CER ECJ0EC1H220J	T	46/42.9
C730	4030017440	S.CER ECJ0EC1H221J	B	41.6/34.3
C731	4030017440	S.CER ECJ0EC1H221J	B	41.6/35.2
C733	4030017440	S.CER ECJ0EC1H221J	B	51.7/30.9
C734	4030017440	S.CER ECJ0EC1H221J	B	51.7/32.1
C735	4030017460	S.CER ECJ0EB1E102K	B	41.6/31.6
C751	4030017420	S.CER ECJ0EC1H470J	T	47.1/41.2
C752	4030017420	S.CER ECJ0EC1H470J	T	48.9/41.2
C753	4030017400	S.CER ECJ0EC1H220J	T	48.3/38
C754	4030017400	S.CER ECJ0EC1H220J	T	51/36.4
C755	4030017400	S.CER ECJ0EC1H220J	T	50.6/34.1
C756	4030017400	S.CER ECJ0EC1H220J	T	51.5/34.1
C757	4030017420	S.CER ECJ0EC1H470J	T	50.3/32.9
C758	4030017420	S.CER ECJ0EC1H470J	T	51.5/32.5
C760	4030017460	S.CER ECJ0EB1E102K	T	49.4/28.2
C764	4030017400	S.CER ECJ0EC1H220J	T	49.4/30
C765	4030017400	S.CER ECJ0EC1H220J	T	47.1/23.3
C766	4030017400	S.CER ECJ0EC1H220J	T	47.1/24.9
C771	4030017440	S.CER ECJ0EC1H221J	T	48/41.2
C772	4030017400	S.CER ECJ0EC1H220J	T	37/35.4
C773	4030017420	S.CER ECJ0EC1H470J	T	49.2/37.6
C775	4030017420	S.CER ECJ0EC1H470J	T	51/35.5
C777	4030017420	S.CER ECJ0EC1H470J	T	49.7/34.1
C779	4030017420	S.CER ECJ0EC1H470J	T	49.4/31.6
C781	4030017420	S.CER ECJ0EC1H470J	T	37/27.8
C789	4030017400	S.CER ECJ0EC1H220J	T	49.4/29.1
C790	4030017420	S.CER ECJ0EC1H470J	T	37/30.7
C792	4030017400	S.CER ECJ0EC1H220J	T	31.7/40.6
C793	4030017460	S.CER ECJ0EB1E102K	B	7.7/22.6
J702	6510024131	S.CNR IMSA-9637S-40Y905	T	42.5/30.7
J703	6510022880	S.CNR AXK5S30340P	B	47.6/32.4
S700	2260002840	SW SKHLLFA010		
S701	2260002840	SW SKHLLFA010		
EP50	6910018460	S.BEA MMZ1005Y102C-T	T	36.1/14.1
EP100	6910018460	S.BEA MMZ1005Y102C-T	T	22.2/37.8
EP200	6910018460	S.BEA MMZ1005Y102C-T	B	22.6/22.3
EP400	6910018460	S.BEA MMZ1005Y102C-T	T	42.6/12.5
EP401	6910018460	S.BEA MMZ1005Y102C-T	T	43/13.4
EP450	6910018460	S.BEA MMZ1005Y102C-T	T	50.2/13.3
EP750	6910018460	S.BEA MMZ1005Y102C-T	T	48.9/39.6
EP751	6910018460	S.BEA MMZ1005Y102C-T	T	47.1/34.3
EP752	6910018460	S.BEA MMZ1005Y102C-T	T	48.5/33.5
EP755	6910018460	S.BEA MMZ1005Y102C-T	T	38.6/35.4
EP756	6910018460	S.BEA MMZ1005Y102C-T	T	47.4/37.6
EP757	6910018460	S.BEA MMZ1005Y102C-T	T	48.3/30.7
EP758	6910018460	S.BEA MMZ1005Y102C-T	T	48.2/35.8
EP759	6910018460	S.BEA MMZ1005Y102C-T	T	38.6/27.8
EP760	6910018460	S.BEA MMZ1005Y102C-T	T	47.2/27.5

M.=Mounted side (T: Mounted on the Top side, B: Mounted on the Bottom side)
S.=Surface mount

[RF UNIT]

REF NO.	ORDER NO.	DESCRIPTION	M.	H/V LOCATION
IC100	1110007060	S.IC uPC3223TB-E3	T	40.2/8.5
IC150	1110004050	S.IC NJM3404AV-TE1	B	27/5.5
IC800	1130013000	S.IC LMX2313USLXD/NOPB	T	29.6/27.2
IC900	1110005230	S.IC uPC2757TB-E3	T	39/16.6
IC950	1130012000	S.IC M62352AGP C60Q	T	35.1/40.4
IC951	1130011760	S.IC CD4094BPWR	B	33.8/41.9
Q1	1590002010	S.STR XP1114 (TX)	B	4.7/10.9
Q2	1590003280	S.STR UNR9211J-(TX)	B	4.7/8.2
Q3	1590003280	S.STR UNR9211J-(TX)	B	7/11.2
Q100	1560001151	S.FET 2SK3476 (TE12L,Q)	T	14.6/9.4
Q101	1560001161	S.FET 2SK3475 (TE12L,F)	T	25.4/8.1
Q102	1530000371	S.STR 2SC3356-T1B S (R25)	T	33.1/5.8
Q150	1590003280	S.STR UNR9211J-(TX)	T	17.9/22.9
Q152	1590003280	S.STR UNR9211J-(TX)	T	18/19.1
Q153	1590003280	S.STR UNR9211J-(TX)	B	10.1/16.8
Q200	1530003431	S.STR 2SC5226-4-TL-E	B	28.2/15.4
Q250	1530003260	S.STR 2SC5006-T1	T	24.9/14.8
Q251	1590002380	S.STR XP1115 (TX)	T	23.2/21.9
Q252	1590003250	S.STR UNR9115J-(TX)	T	33.1/18.6
Q300	1530003260	S.STR 2SC5006-T1	B	13.6/27.6
Q301	1530003260	S.STR 2SC5006-T1	B	23.9/26.7
Q302	1590003250	S.STR UNR9115J-(TX)	B	4.7/36.1
Q303	1590002380	S.STR XP1115 (TX)	B	3.8/33.5
Q304	1590003250	S.STR UNR9115J-(TX)	T	20.1/24.8
Q400	1580000790	S.FET 3SK318YB-TL-E	B	20.6/21.1
Q401	1580000790	S.FET 3SK318YB-TL-E	B	32.1/19.1
Q450	1580000790	S.FET 3SK318YB-TL-E	B	29.7/24.1
Q451	1590002380	S.STR XP1115 (TX)	B	44.5/20.9
Q452	1590002380	S.STR XP1115 (TX)	B	41.6/19.6
Q500	1530003560	S.STR 2SC5195-T1	B	10.3/40.2
Q501	1530003560	S.STR 2SC5195-T1	B	19.5/39.2
Q600	1580000800	S.FET 3SK324UG-TL-E	B	21.7/32.9
Q601	1580000790	S.FET 3SK318YB-TL-E	B	37.1/29.8
Q651	1580000790	S.FET 3SK318YB-TL-E	B	37.8/34.2
Q652	1590002380	S.STR XP1115 (TX)	B	41.6/22.1
Q700	1530003781	S.STR 2SC5624VH-TL-E	T	13.9/40.7
Q701	1530003260	S.STR 2SC5006-T1	T	15.6/37.1
Q702	1590003250	S.STR UNR9115J-(TX)	T	23/33.6
Q800	1590002380	S.STR XP1115 (TX)	T	45.8/20.6
Q801	1590003260	S.STR UNR9115J-(TX)	T	43.5/21
Q830	1590001650	S.STR XP4601 (TX)	T	42.5/39
Q850	1530003260	S.STR 2SC5006-T1	T	38.4/29.4
Q900	1590003250	S.STR UNR9115J-(TX)	B	41.8/12.5
Q1000	1590003720	S.FET HAT1026R-EL-E	B	36.7/6.5
D1	1750000581	S.DIO 1SV307 (TPH3,F)	T	13.7/28.1
D3	1790001621	S.DIO 1SV308 (TPL3,F)	T	15.9/27.2
D4	1790001621	S.DIO 1SV308 (TPL3,F)	T	16.5/31.5
D5	1790001161	S.DIO 1SS362 (TE85R,F)	T	19.9/31.9
D6	1790001621	S.DIO 1SV308 (TPL3,F)	T	7.9/21.4
D7	1790001621	S.DIO 1SV308 (TPL3,F)	T	7.9/22.6
D8	1790001621	S.DIO 1SV308 (TPL3,F)	B	7/21.4
D9	1790001161	S.DIO 1SS362 (TE85R,F)	B	10.5/21
D10	1790001621	S.DIO 1SV308 (TPL3,F)	T	20.5/28.8
D100	1790001260	S.DIO MA2S077-(TX)	T	41/22.8
D150	1790000980	S.DIO MA742 (TX)	T	14.7/21.1
D151	1750000531	S.DIO 1SV271 (TPH3,F)	T	14.2/18.9
D152	1790000980	S.DIO MA742 (TX)	T	14.2/16.4
D153	1790001240	S.DIO MA2S728-(TX)	B	11/19.4
D154	1790001240	S.DIO MA2S728-(TX)	B	9.3/18.4
D155	1790000980	S.DIO MA742 (TX)	B	4.2/14.6
D156	1790000980	S.DIO MA742 (TX)	B	6.8/15
D157	1790001240	S.DIO MA2S728-(TX)	B	26.6/8.8
D158	1750001620	S.DIO JDP2S04E (TPH3)	T	35.2/5.1
D159	1750001620	S.DIO JDP2S04E (TPH3)	T	36.7/6.8
D160	1750000531	S.DIO 1SV271 (TPH3,F)	T	15.6/24.4
D200	1790001621	S.DIO 1SV308 (TPL3,F)	B	14.7/17.9
D201	1790001260	S.DIO MA2S077-(TX)	B	20.2/16.7
D202	1790001240	S.DIO MA2S728-(TX)	B	24.7/17.1
D203	1790001621	S.DIO 1SV308 (TPL3,F)	B	33.2/14.3
D250	1790001260	S.DIO MA2S077-(TX)	B	22/17.1
D251	1790001260	S.DIO MA2S077-(TX)	T	28.3/18.4
D252	1750001270	S.VCP 1SV325 (TPH3,F)	T	25.3/17.9
D253	1790001250	S.DIO MA2S111-(TX)	T	27.4/16.1
D254	1790001260	S.DIO MA2S077-(TX)	T	29.2/17.2
D255	1750001270	S.VCP 1SV325 (TPH3,F)	T	30.7/13.2
D256	1790001621	S.DIO 1SV308 (TPL3,F)	T	35.7/14.2
D300	1790001621	S.DIO 1SV308 (TPL3,F)	B	10.4/24.1
D301	1790001260	S.DIO MA2S077-(TX)	B	8.5/28.6
D302	1790001621	S.DIO 1SV308 (TPL3,F)	B	13.7/32.7
D303	1790001621	S.DIO 1SV308 (TPL3,F)	B	6.8/31.1
D304	1790001260	S.DIO MA2S077-(TX)	B	8/31.1
D305	1750000721	S.VCP HVC375BTRF-E	B	11.3/31.1
D306	1790001260	S.DIO MA2S077-(TX)	B	15.4/23.4
D307	1750000721	S.VCP HVC375BTRF-E	B	18.5/26.1
D308	1750000721	S.VCP HVC375BTRF-E	B	19.6/27.7
D309	1790001260	S.DIO MA2S077-(TX)	B	22/26.8
D310	1790001240	S.DIO MA2S728-(TX)	B	13.6/24.5
D311	1790001621	S.DIO 1SV308 (TPL3,F)	B	35.2/14.2
D400	1790001621	S.DIO 1SV308 (TPL3,F)	B	13.8/22.4
D401	1750000771	S.VCP HVC376BTRF-E	B	28.6/19.5
D402	1750000771	S.VCP HVC376BTRF-E	B	37.3/17.5
D403	1750000771	S.VCP HVC376BTRF-E	B	41/16.5
D404	1790001250	S.DIO MA2S111-(TX)	B	28.7/21.3
D405	1790001621	S.DIO 1SV308 (TPL3,F)	B	38.9/15.5
D450	1750000771	S.VCP HVC376BTRF-E	B	26.2/21.8
D451	1750000771	S.VCP HVC376BTRF-E	B	35.7/23.8
D452	1750000771	S.VCP HVC376BTRF-E	B	38.4/23.6
D453	1790001250	S.DIO MA2S111-(TX)	B	33.6/22.8
D454	1790001621	S.DIO 1SV308 (TPL3,F)	B	46.5/26.6
D500	1790001621	S.DIO 1SV308 (TPL3,F)	B	13.8/36.3

[RF UNIT]

REF NO.	ORDER NO.	DESCRIPTION	M.	H/V LOCATION
D501	1790001260	S.DIO MA2S077-(TX)	B	8/38.8
D502	1750000721	S.VCP HVC375BTRF-E	B	8/37.6
D503	1790001250	S.DIO MA2S111-(TX)	B	15.3/38.7
D504	1790001260	S.DIO MA2S077-(TX)	B	12.9/43.2
D505	1750000721	S.VCP HVC375BTRF-E	B	14/41.5
D506	1750000721	S.VCP HVC375BTRF-E	B	15.2/41.5
D507	1790001260	S.DIO MA2S077-(TX)	B	18.4/42.4
D508	1790001621	S.DIO 1SV308 (TPL3,F)	B	36.4/14.2
D600	1790001621	S.DIO 1SV308 (TPL3,F)	B	17.4/33.8
D601	1750000771	S.VCP HVC376BTRF-E	B	29.5/29.9
D602	1750000771	S.VCP HVC376BTRF-E	B	32.2/30.3
D603	1790001250	S.DIO MA2S111-(TX)	B	31.9/32.1
D604	1750000771	S.VCP HVC376BTRF-E	B	42.7/29.4
D605	1750000771	S.VCP HVC376BTRF-E	B	42.3/26.7
D606	1790001621	S.DIO 1SV308 (TPL3,F)	B	38.9/14.3
D650	1750000771	S.VCP HVC376BTRF-E	B	28.2/34.5
D651	1750000771	S.VCP HVC376BTRF-E	B	31/34.4
D652	1790001250	S.DIO MA2S111-(TX)	B	41.7/32.5
D653	1750000771	S.VCP HVC376BTRF-E	B	44/35.9
D654	1750000771	S.VCP HVC376BTRF-E	B	46.9/35.9
D655	1790001621	S.DIO 1SV308 (TPL3,F)	B	46/29.9
D700	1790001621	S.DIO 1SV308 (TPL3,F)	T	19.4/44.1
D701	1790001161	S.DIO 1SS362 (TE85R,F)	T	16.3/42.4
D702	1750000721	S.VCP HVC375BTRF-E	T	18/41.1
D703	1750000721	S.VCP HVC375BTRF-E	T	10.9/37.6
D704	1750000721	S.VCP HVC375BTRF-E	T	13/36.7
D705	1790001250	S.DIO MA2S111-(TX)	T	18/38.4
D706	1790001621	S.DIO 1SV308 (TPL3,F)	T	36.1/16
D850	1790001621	S.DIO 1SV308 (TPL3,F)	T	37.9/21.6
D851	1790001250	S.DIO MA2S111-(TX)	T	36/28.3
D1000	1790001240	S.DIO MA2S728-(TX)	B	40.9/5
D1001	1750000540	S.DIO RB060L-40 TE-25	B	40/2.2
L1	6200012660	S.COL 0.30-1.0-4TR 9.1N	T	8.5/41
L2	6200012490	S.COL 0.30-0.9-6TR 13.6N	T	6.4/38.6
L3	6200012490	S.COL 0.30-0.9-6TR 13.6N	T	5.5/36
L4	6200012470	S.COL 0.30-1.7-7TL 45.3N	T	12.6/31.2
L5	6200012910	S.COL 0.35-1.6-8TL 45.5N	T	6.2/32.9
L6	6200012900	S.COL 0.30-2.0-7TL 57.2N	T	9.2/29.7
L7	6200012460	S.COL 0.30-1.7-8TL 54N	T	9.6/26.4
L8	6200007921	S.COL ELJRF 15NJFB	T	13.5/45.3
L9	6200007921	S.COL ELJRF 15NJFB	T	15.9/43.9
L10	6200004480	S.COL MLF1608D R82K-T	T	14.5/25.9
L11	6200009070	S.COL LQW18AN18NG00D	T	16.5/30.3
L12	6200010700	S.COL LQW18AN12NG00D	T	18.4/30
L13	6200004480	S.COL MLF1608D R82K-T	T	5.1/18.4
L14	6200010910	S.COL LQW18AN56NG00D	B	8.8/21.1
L20	6200007881	S.COL ELJRF 33NJFB	T	18.3/33.3
L100	6200013090	S.COL 0.26-1.1-5TR 16N	T	11.7/16
L101	6200012850	S.COL 0.40-0.8-2TL 2.5N	T	9.6/14.7
L102	6200012920	S.COL 0.20-1.0-4TL 12.1N	T	4.4/12.3
L103	6200012920	S.COL 0.20-1.0-4TL 12.1N	T	6.5/12.2
L104	6200012800	S.COL 0.40-1.5-5TL 20N	T	6.7/9.4
L105	6200007961	S.COL ELJRF 6N8JFB (6.8)	T	20.7/8.6
L106	6200008011	S.COL ELJRF 2N7DFB (2.7)	T	19.1/8.1
L107	6200008570	S.COL LQW2BHNG6N8D03L	T	21.9/6.6
L108	6200007921	S.COL ELJRF 15NJFB	T	28.7/2.8
L110	6200011650	S.COL LQW18AN68NG00D	T	30.9/6.2
L111	6200011031	S.COL ELJRF R10JFB	T	37.4/8.1
L150	6200012920	S.COL 0.20-1.0-4TL 12.1N	T	12.1/21.2
L152	6200012460	S.COL 0.30-1.7-8TL 54N	T	4/15.9
L153	6200012920	S.COL 0.20-1.0-4TL 12.1N	T	10.7/19.2
L200	6200006981	S.COL ELJRE R10GFA	B	15.4/19.7
L201	6200009571	S.COL ELJRE R12GFA	B	18/19.7
L202	6200005140	S.COL MLF1608D R33K-T	B	22/15.9
L203	6200005140	S.COL MLF1608D R33K-T	B	24.6/15.9
L204	6200002041	S.COL NLV25T-101J	B	30.8/14.3
L250	6200004600	S.COL MLF1608D R15K-T	T	26.5/18
L251	6200004600	S.COL MLF1608D R15K-T	T	28.2/19.6
L252	6200003960	S.COL MLF1608A 1R0K-T	T	26.6/14.2
L253	6200004600	S.COL MLF1608D R15K-T	T	28.9/14.4
L254	6200004600	S.COL MLF1608D R15K-T	T	30.9/16.1
L300	6200011001	S.COL ELJRF 56NJFB	B	9.5/26.2
L301	6200011021	S.COL ELJRF 82NJFB	B	10.4/27.8
L302	6200010991	S.COL ELJRF 47NJFB	B	9.6/33.2
L303	6200007871	S.COL ELJRF 39NJFB	B	8.3/33.7
L304	6200007871	S.COL ELJRF 39NJFB	B	10.2/30.6
L305	6200009571	S.COL ELJRE R12GFA	B	9.2/31.1
L306	6200006981	S.COL ELJRE R10GFA	B	15.5/25.4
L307	6200007871	S.COL ELJRF 39NJFB	B	15.1/27.6
L308	6200011001	S.COL ELJRF 56NJFB	B	20.7/28.2
L309	6200009101	S.COL ELJRE R18GFA	B	20.8/26.1
L310	6200011031	S.COL ELJRF R10JFB	B	25.5/26.5
L400	6200013400	S.COL LQW15ANR12J00D	B	17.2/22.6
L401	6200009250	S.COL LQW18ANR22G00D	B	22.6/20.2
L402	6200011670	S.COL LQW18AN82NG00D	B	27.4/18.8
L403	6200011670	S.COL LQW18AN82NG00D	B	34.3/20.5
L404	6200011650	S.COL LQW18AN68NG00D	B	42.2/16.5
L405	6200011660	S.COL LQW18ANR15G00D	B	15.6/21.5
L450	6200011670	S.COL LQW18AN82NG00D	B	26.2/23
L451	6200011670	S.COL LQW18AN82NG00D	B	32.7/24.5
L452	6200011650	S.COL LQW18AN68NG00D	B	39.6/23
L500	6200007971	S.COL ELJRF 5N6DFB	B	9.7/36.7

[RF UNIT]

REF NO.	ORDER NO.	DESCRIPTION	M.	H/V LOCATION
L602	6200011580	S.COL LQW18AN33NG00D	B	24.4/33.9
L603	6200009220	S.COL LQW18AN15NG00D	B	28.3/28.6
L604	6200009220	S.COL LQW18AN15NG00D	B	33.4/29
L605	6200009290	S.COL LQW18AN47NG00D	B	39.1/29.8
L606	6200010850	S.COL LQW18AN22NG00D	B	42.6/30.7
L607	6200009220	S.COL LQW18AN15NG00D	B	42.3/25.5
L608	6200009280	S.COL LQW18AN27NG00D	B	14.9/31.5
L610	6200005180	S.COL MLF1608D R39K-T	B	18.8/33.9
L611	6200007951	S.COL ELJRF 8N2JFB (8.2)	B	16.2/32.8
L620	6200007881	S.COL ELJRF 33NJFB	B	39.5/13.2
L650	6200009220	S.COL LQW18AN15NG00D	B	27/34.6
L651	6200009220	S.COL LQW18AN15NG00D	B	32.2/34.4
L652	6200009290	S.COL LQW18AN47NG00D	B	39.8/34.2
L653	6200010850	S.COL LQW18AN22NG00D	B	42.8/36
L654	6200009220	S.COL LQW18AN15NG00D	B	48.7/35.3
L700	6200008001	S.COL ELJRF 3N3DFB (3.3)	T	19.6/42.4
L701	6200011031	S.COL ELJRF R10JFB	T	12.2/39.6
L702	6200008001	S.COL ELJRF 3N3DFB (3.3)	T	9.6/38.3
L703	6200008001	S.COL ELJRF 3N3DFB (3.3)	T	14/35.3
L704	6200007941	S.COL ELJRF 10NJFB	T	17.1/37
L801	6200003960	S.COL MLF1608A 1R0K-T	T	24.2/29.2
L850	6200007941	S.COL ELJRF 10NJFB	T	40.4/30
L851	6200007981	S.COL ELJRF 4N7DFB (4.7)	T	37.1/18.1
L900	6200011031	S.COL ELJRF R10JFB	B	50.7/30.1
L901	6200009351	S.COL ELJRE R22GFA	T	41/16.5
R1	7030004980	S.RES ERJ2GEJ 101 X (100)	T	16.6/25.8
R2	7030005120	S.RES ERJ2GEJ 102 X (1 k)	T	12.1/14.2
R3	7030005120	S.RES ERJ2GEJ 102 X (1 k)	B	6.8/17.6
R4	7030004980	S.RES ERJ2GEJ 101 X (100)	B	4.7/16.4
R5	7030005240	S.RES ERJ2GEJ 473 X (47 k)	T	15.9/37.3
R6	7030005120	S.RES ERJ2GEJ 102 X (1 k)	T	19.7/34.3
R7	7030005120	S.RES ERJ2GEJ 102 X (1 k)	B	13.3/21.3
R8	7030007290	S.RES ERJ2GEJ 222 X (2.2 k)	T	17/34.5
R9	7030007290	S.RES ERJ2GEJ 222 X (2.2 k)	B	13.3/19.5
R10	7030005080	S.RES ERJ2GEJ 823 X (82 k)	T	10.3/41.7
R100	7030007250	S.RES ERJ2GEJ 220 X (22)	T	19.5/9.3
R101	7030005030	S.RES ERJ2GEJ 152 X (1.5 k)	B	22.6/8.3
R102	7030008370	S.RES ERJ2GEJ 561 X (560)	B	22.4/9.5
R103	7030004980	S.RES ERJ2GEJ 101 X (100)	T	23.4/5.7
R104	7030009200	S.RES ERJ2GEJ 390 X (39)	T	28.7/9.1
R105	7030005240	S.RES ERJ2GEJ 473 X (47 k)	B	25.6/9.7
R106	7030009280	S.RES ERJ2GEJ 391 X	B	25.3/8.5
R108	7030007300	S.RES ERJ2GEJ 332 X (3.3 k)	T	32.8/9.2
R109	7030010040	S.RES ERJ2GEJ-JPW	T	34.8/8.1
R110	7030007300	S.RES ERJ2GEJ 332 X (3.3 k)	T	32.9/8
R111	7030007300	S.RES ERJ2GEJ 332 X (3.3 k)	T	34.9/9.3
R112	7030004980	S.RES ERJ2GEJ 101 X (100)	T	30.8/8.5
R113	7030004980	S.RES ERJ2GEJ 101 X (100)	T	29.9/8.5
R114	7030005120	S.RES ERJ2GEJ 102 X (1 k)	T	36.6/4.8
R115	7030007290	S.RES ERJ2GEJ 222 X (2.2 k)	T	38.4/10.2
R116	7030004980	S.RES ERJ2GEJ 101 X (100)	T	40.8/10.2
R117	7030010040	S.RES ERJ2GEJ-JPW	T	43.4/1.1
R150	7030008310	S.RES ERJ2GEJ 564 X (560 k)	B	31.7/6.5
R152	7030004980	S.RES ERJ2GEJ 101 X (100)	B	21.7/8.3
R153	7030004980	S.RES ERJ2GEJ 101 X (100)	B	31.4/4.9
R154	7030005160	S.RES ERJ2GEJ 105 X (1 M)	B	22.6/4.3
R155	7030005230	S.RES ERJ2GEJ 334 X (330 k)	B	22.6/5.9
R156	7030005060	S.RES ERJ2GEJ 333 X (33 k)	B	22.1/7.1
R157	7030005220	S.RES ERJ2GEJ 223 X (22 k)	B	20.5/6.3
R158	7030007340	S.RES ERJ2GEJ 153 X (15 k)	B	29.9/8.1
R159	7030007290	S.RES ERJ2GEJ 222 X (2.2 k)	T	38.5/2.4
R160	7030007290	S.RES ERJ2GEJ 222 X (2.2 k)	T	37.6/3.6
R161	7030005120	S.RES ERJ2GEJ 102 X (1 k)	T	36.7/3.6
R162	7030005120	S.RES ERJ2GEJ 102 X (1 k)	T	38.3/5.6
R163	7030005050	S.RES ERJ2GEJ 103 X (10 k)	B	32.6/7.3
R164	7030005110	S.RES ERJ2GEJ 224 X (220 k)	B	12/17.5
R165	7030005220	S.RES ERJ2GEJ 223 X (22 k)	T	16.1/18
R166	7030009280	S.RES ERJ2GEJ 391 X	T	18.3/17.7
R167	7030005220	S.RES ERJ2GEJ 223 X (22 k)	T	16.4/20.3
R168	7030005220	S.RES ERJ2GEJ 223 X (22 k)	B	3.1/12.3
R169	7030005220	S.RES ERJ2GEJ 223 X (22 k)	B	9/15.5
R170	7510001661	S.TMR NTCG16 4LH 473JT	B	7.8/2
R171	7030005220	S.RES ERJ2GEJ 223 X (22 k)	B	7.2/3.3
R172	7030005600	S.RES ERJ2GEJ 273 X (27 k)	T	16.4/21.9
R173	7030005600	S.RES ERJ2GEJ 273 X (27 k)	B	4.4/12.7
R174	7030005210	S.RES ERJ2GEJ 822 X (8.2 k)	T	16.8/16.8
R175	7030005050	S.RES ERJ2GEJ 103 X (10 k)	B	2.2/12.3
R176	7030007340	S.RES ERJ2GEJ 153 X (15 k)	B	31.1/8.6
R177	7030009280	S.RES ERJ2GEJ 391 X	T	20.1/21
R200	7030007290	S.RES ERJ2GEJ 222 X (2.2 k)	B	25.4/13.5
R201	7030005600	S.RES ERJ2GEJ 273 X (27 k)	B	26.8/17.1
R202	7030005050	S.RES ERJ2GEJ 103 X (10 k)	B	26.3/15.9
R203	7030005000	S.RES ERJ2GEJ 471 X (470)	B	27.2/13.4
R204	7030005120	S.RES ERJ2GEJ 102 X (1 k)	B	13.6/16.7
R250	7030007290	S.RES ERJ2GEJ 222 X (2.2 k)	T	22.8/18.8
R251	7030005040	S.RES ERJ2GEJ 472 X (4.7 k)	T	31.1/18.1
R252	7030005240	S.RES ERJ2GEJ 473 X (47 k)	T	24.2/18.8
R253	7030005220	S.RES ERJ2GEJ 223 X (22 k)	T	25.3/16.2
R254	7030005050	S.RES ERJ2GEJ 103 X (10 k)	T	27.6/14.7
R255	7030007280	S.RES ERJ2GEJ 331 X (330)	T	23.3/13.9
R256	7030005050	S.RES ERJ2GEJ 103 X (10 k)	T	31.2/17.2
R257	7030005240	S.RES ERJ2GEJ 473 X (47 k)	T	32.4/14.3
R258	7030007290	S.RES ERJ2GEJ 222 X (2.2 k)	T	33.5/14.3
R300	7030007290	S.RES ERJ2GEJ 222 X (2.2 k)	B	9.4/24.6
R301	7030007290	S.RES ERJ2GEJ 222 X (2.2 k)	B	13.2/33.7
R302	7030005120	S.RES ERJ2GEJ 102 X (1 k)	B	6.8/32.8
R303	7030007290	S.RES ERJ2GEJ 222 X (2.2 k)	B	7.4/29.1
R304	7030005050	S.RES ERJ2GEJ 103 X (10 k)	B	5.6/32.3
R305	7030005240	S.RES ERJ2GEJ 473 X (47 k)	B	12.3/31.4
R306	7030005050	S.RES ERJ2GEJ 103 X (10 k)	B	14.4/25.9
R307	7030005050	S.RES ERJ2GEJ 103 X (10 k)	B	13.2/26.1
R308	7030008370	S.RES ERJ2GEJ 561 X (560)	B	11.6/27.8

[RF UNIT]

REF NO.	ORDER NO.	DESCRIPTION	M.	H/V LOCATION
R309	7030008410	S.RES ERJ2GEJ 392 X (3.9 k)	B	17.4/25.9
R310	7030008410	S.RES ERJ2GEJ 392 X (3.9 k)	B	16.8/24.6
R311	7030005240	S.RES ERJ2GEJ 473 X (47 k)	B	16.1/29
R312	7030005240	S.RES ERJ2GEJ 473 X (47 k)	B	18.6/28.2
R313	7030005050	S.RES ERJ2GEJ 103 X (10 k)	B	23.1/25.2
R314	7030005220	S.RES ERJ2GEJ 223 X (22 k)	B	21.9/29.4
R315	7030005530	S.RES ERJ2GEJ 100 X (10)	B	27/27.4
R316	7030009280	S.RES ERJ2GEJ 391 X	B	24.9/28.4
R317	7030007290	S.RES ERJ2GEJ 222 X (2.2 k)	B	27/28.3
R318	7030007300	S.RES ERJ2GEJ 332 X (3.3 k)	B	13.2/31.3
R319	7030007300	S.RES ERJ2GEJ 332 X (3.3 k)	B	8.5/23.2
R320	7030005240	S.RES ERJ2GEJ 473 X (47 k)	B	14.4/34
R321	7030005720	S.RES ERJ2GEJ 563 X (56 k)	B	11.6/26
R322	7030005720	S.RES ERJ2GEJ 563 X (56 k)	B	23.1/28.4
R323	7030005050	S.RES ERJ2GEJ 103 X (10 k)	B	24.3/24.9
R325	7030005050	S.RES ERJ2GEJ 103 X (10 k)	B	4.7/38
R326	7030007290	S.RES ERJ2GEJ 222 X (2.2 k)	B	8.3/26.1
R400	7030007300	S.RES ERJ2GEJ 332 X (3.3 k)	B	14.6/21
R401	7030008300	S.RES ERJ2GEJ 184 X (180 k)	B	20.9/19.3
R402	7030005110	S.RES ERJ2GEJ 224 X (220 k)	B	18.2/21.1
R403	7030005240	S.RES ERJ2GEJ 473 X (47 k)	B	19.5/22.8
R404	7030005110	S.RES ERJ2GEJ 224 X (220 k)	B	18.9/24
R405	7030005120	S.RES ERJ2GEJ 102 X (1 k)	B	23.6/19.1
R406	7030004980	S.RES ERJ2GEJ 101 X (100)	B	22.5/23.1
R407	7030010040	S.RES ERJ2GEJ-JPW	B	24.5/20.7
R408	7030005530	S.RES ERJ2GEJ 100 X (10)	B	21.3/18.4
R409	7030004990	S.RES ERJ2GEJ 221 X (220)	B	25.4/18.9
R410	7030004990	S.RES ERJ2GEJ 221 X (220)	B	25.4/20.5
R411	7030005240	S.RES ERJ2GEJ 473 X (47 k)	B	29.6/19
R412	7030008300	S.RES ERJ2GEJ 184 X (180 k)	B	30.3/21.4
R413	7030005110	S.RES ERJ2GEJ 224 X (220 k)	B	30.2/17.4
R414	7030005220	S.RES ERJ2GEJ 223 X (22 k)	B	32.1/21.4
R415	7030005220	S.RES ERJ2GEJ 223 X (22 k)	B	31.2/21.1
R416	7030005110	S.RES ERJ2GEJ 224 X (220 k)	B	31.1/16.9
R417	7030005120	S.RES ERJ2GEJ 102 X (1 k)	B	33.2/21.4
R418	7030004990	S.RES ERJ2GEJ 221 X (220)	B	34.8/16.9
R419	7030005090	S.RES ERJ2GEJ 104 X (100 k)	B	36.4/18.9
R420	7030005530	S.RES ERJ2GEJ 100 X (10)	B	35.6/21
R421	7030005240	S.RES ERJ2GEJ 473 X (47 k)	B	38.7/18.3
R422	7030005240	S.RES ERJ2GEJ 473 X (47 k)	B	43.2/16.9
R423	7030009270	S.RES ERJ2GEJ 821 X (820)	B	41/13.9
R450	7030005240	S.RES ERJ2GEJ 473 X (47 k)	B	23.5/21.9
R451	7030008300	S.RES ERJ2GEJ 184 X (180 k)	B	29.1/22.3
R452	7030005110	S.RES ERJ2GEJ 224 X (220 k)	B	27.5/24.1
R453	7030005220	S.RES ERJ2GEJ 223 X (22 k)	B	33.7/25
R454	7030005220	S.RES ERJ2GEJ 223 X (22 k)	B	31.6/22.6
R455	7030005110	S.RES ERJ2GEJ 224 X (220 k)	B	27.9/25.3
R456	7030005120	S.RES ERJ2GEJ 102 X (1 k)	B	31.5/24.5
R457	7030004990	S.RES ERJ2GEJ 221 X (220)	B	28.8/26.1
R458	7030005090	S.RES ERJ2GEJ 104 X (100 k)	B	34.6/25
R459	7030005530	S.RES ERJ2GEJ 100 X (10)	B	33.6/26.2
R460	7030005240	S.RES ERJ2GEJ 473 X (47 k)	B	36.7/25.6
R461	7030005240	S.RES ERJ2GEJ 473 X (47 k)	B	37.1/24.7
R462	7030007290	S.RES ERJ2GEJ 222 X (2.2 k)	B	37.1/21.5
R501	7030005050	S.RES ERJ2GEJ 103 X (10 k)	B	5.9/37.6
R502	7030005240	S.RES ERJ2GEJ 473 X (47 k)	B	7.9/39.8
R503	7030005060	S.RES ERJ2GEJ 333 X (33 k)	B	11.5/38.4
R504	7030005050	S.RES ERJ2GEJ 103 X (10 k)	B	10.6/38.4
R506	7030004990	S.RES ERJ2GEJ 221 X (220)	B	9.7/41.9
R507	7030008410	S.RES ERJ2GEJ 392 X (3.9 k)	B	12.8/44.6
R508	7030008410	S.RES ERJ2GEJ 392 X (3.9 k)	B	13/41.9
R509	7030005240	S.RES ERJ2GEJ 473 X (47 k)	B	16.3/41.2
R510	7030005240	S.RES ERJ2GEJ 473 X (47 k)	B	16.3/42.8
R511	7030005050	S.RES ERJ2GEJ 103 X (10 k)	B	19.5/42.8
R512	7030005720	S.RES ERJ2GEJ 563 X (56 k)	B	17.8/39.8
R513	7030005530	S.RES ERJ2GEJ 100 X (10)	B	16.3/36.9
R514	7030004990	S.RES ERJ2GEJ 221 X (220)	B	20.2/40.7
R515	7030007290	S.RES ERJ2GEJ 222 X (2.2 k)	B	18.5/36.6
R517	7030007300	S.RES ERJ2GEJ 332 X (3.3 k)	B	14.3/35.2
R518	7030005240	S.RES ERJ2GEJ 473 X (47 k)	B	16.4/35.4
R519	7030004980	S.RES ERJ2GEJ 101 X (100)	B	16.9/38.1
R602	7030008300	S.RES ERJ2GEJ 184 X (180 k)	B	21.8/30.3
R603	7030005110	S.RES ERJ2GEJ 224 X (220 k)	B	20.3/30.9
R604	7030005240	S.RES ERJ2GEJ 473 X (47 k)	B	21.8/31.2
R605	7030005110	S.RES ERJ2GEJ 224 X (220 k)	B	20.1/35.8
R607	7030004980	S.RES ERJ2GEJ 101 X (100)	B	22.8/36.4
R608	7030010040	S.RES ERJ2GEJ-JPW	B	23.9/30.8
R609	7030005530	S.RES ERJ2GEJ 100 X (10)	B	23/30.9
R610	7030004980	S.RES ERJ2GEJ 101 X (100)	B	24.8/30.3
R611	7030004980	S.RES ERJ2GEJ 101 X (100)	B	26/30.7
R612	7030005240	S.RES ERJ2GEJ 473 X (47 k)	B	30.4/28.5
R613	7030005240	S.RES ERJ2GEJ 473 X (47 k)	B	31.3/28.5
R614	7030008			

[RF UNIT]

REF NO.	ORDER NO.	DESCRIPTION	M.	H/V LOCATION
R661	7030005240	S.RES ERJ2GEJ 473 X (47 k)	B	45.8/37.1
R662	7030009270	S.RES ERJ2GEJ 821 X (820)	B	44.6/33.6
R700	7030007290	S.RES ERJ2GEJ 222 X (2.2 k)	T	18.3/45.3
R701	7030007290	S.RES ERJ2GEJ 222 X (2.2 k)	T	18/44
R702	7030005120	S.RES ERJ2GEJ 102 X (1 k)	T	14.4/42.5
R703	7030008290	S.RES ERJ2GEJ 183 X (18 k)	T	16.7/39.7
R704	7030008290	S.RES ERJ2GEJ 183 X (18 k)	T	15.8/39.7
R705	7030004970	S.RES ERJ2GEJ 470 X (47)	T	17.9/40.1
R706	7030007250	S.RES ERJ2GEJ 220 X (22)	T	11.3/39.6
R707	7030005240	S.RES ERJ2GEJ 473 X (47 k)	T	19.5/39.7
R708	7030005240	S.RES ERJ2GEJ 473 X (47 k)	T	9.5/37.3
R709	7030005240	S.RES ERJ2GEJ 473 X (47 k)	T	11.9/36.8
R710	7030007250	S.RES ERJ2GEJ 220 X (22)	T	14.3/38.5
R711	7030005220	S.RES ERJ2GEJ 223 X (22 k)	T	15.9/38.5
R712	7030007280	S.RES ERJ2GEJ 331 X (330)	T	18/36.9
R713	7030004990	S.RES ERJ2GEJ 221 X (220)	T	15.8/35.3
R714	7030007290	S.RES ERJ2GEJ 222 X (2.2 k)	T	19.2/36.4
R800	7030005050	S.RES ERJ2GEJ 103 X (10 k)	T	24.7/30.3
R801	7030005050	S.RES ERJ2GEJ 103 X (10 k)	T	26.8/26.5
R802	7030005120	S.RES ERJ2GEJ 102 X (1 k)	T	26.4/28
R803	7030005120	S.RES ERJ2GEJ 102 X (1 k)	T	26.4/28.9
R804	7030005120	S.RES ERJ2GEJ 102 X (1 k)	T	28.5/30.3
R805	7030005120	S.RES ERJ2GEJ 102 X (1 k)	T	29.7/30.2
R806	7030011170	S.RES RR0510P-471-D (470)	T	31.8/24.3
R807	7030009190	S.RES RR0510P-332-D (3.3 k)	T	33.8/23.3
R808	7030005990	S.RES RR0510P-122-D (1.2 k)	T	31.8/19.9
R818	7030004980	S.RES ERJ2GEJ 101 X (100 k)	T	33.1/30.2
R819	7030009530	S.RES ERJ2GEJ 270 X (27)	T	34.8/27.6
R820	7030005090	S.RES ERJ2GEJ 104 X (100 k)	T	35/23.7
R830	7030010040	S.RES ERJ2GEJ-JPW	T	25.9/26.5
R831	7030010090	S.RES ERJ2GEJ 180 X (18)	T	26.8/24.9
R832	7030010090	S.RES ERJ2GEJ 180 X (18)	T	30.2/24.3
R840	7030005050	S.RES ERJ2GEJ 103 X (10 k)	T	40.6/39.3
R841	7030005030	S.RES ERJ2GEJ 152 X (1.5 k)	T	42/37.2
R850	7030004970	S.RES ERJ2GEJ 470 X (47)	T	36/30.4
R851	7030005310	S.RES ERJ2GEJ 124 X (120 k)	T	36.9/30.4
R852	7030007570	S.RES ERJ2GEJ 122 X (1.2 k)	T	36/26.3
R853	7030007290	S.RES ERJ2GEJ 222 X (2.2 k)	T	39.3/26.2
R854	7030007300	S.RES ERJ2GEJ 332 X (3.3 k)	T	37.5/27.8
R855	7030007290	S.RES ERJ2GEJ 222 X (2.2 k)	T	39.3/27.1
R900	7030007290	S.RES ERJ2GEJ 222 X (2.2 k)	B	33.9/15.4
R901	7030007290	S.RES ERJ2GEJ 222 X (2.2 k)	B	45.8/28.2
R962	7030004970	S.RES ERJ2GEJ 470 X (47)	T	39/37.3
R1001	7030005090	S.RES ERJ2GEJ 104 X (100 k)	B	41.7/8.2
R1002	7030011870	S.RES ERJ2BSFR18X (0.18)	B	45.3/2
R1003	7030011870	S.RES ERJ2BSFR18X (0.18)	B	44.4/2
R1004	7030011870	S.RES ERJ2BSFR18X (0.18)	B	43.5/2
C1	4030017560	S.CER ECJ0EC1H2R5B	T	6.7/41.3
C2	4030017580	S.CER ECJ0EC1H060C	T	6.2/40.1
C3	4030017350	S.CER ECJ0EC1H020B	T	7.2/36.8
C4	4030017590	S.CER ECJ0EC1H070C	T	4.2/38.2
C5	4030017340	S.CER ECJ0EC1H010B	T	7.2/35.2
C6	4030017340	S.CER ECJ0EC1H010B	T	11/33.5
C7	4030017400	S.CER ECJ0EC1H220J	T	12.7/33.1
C8	4030017400	S.CER ECJ0EC1H220J	T	14.3/33.1
C9	4030017390	S.CER ECJ0EC1H180J	T	14.9/31.4
C10	4030017550	S.CER ECJ0EC1H1R5B	T	8.7/33.4
C11	4030017660	S.CER ECJ0EC1H330J	T	6.9/30.1
C12	4030017580	S.CER ECJ0EC1H060C	T	11.3/28.9
C13	4030017400	S.CER ECJ0EC1H220J	T	6.9/29.2
C14	4030017550	S.CER ECJ0EC1H1R5B	T	9.3/24.5
C16	4030017330	S.CER ECJ0EF1C104Z	T	8.1/23.9
C18	4030017350	S.CER ECJ0EC1H020B	T	12.3/44.9
C19	4030017550	S.CER ECJ0EC1H1R5B	T	14.7/44.9
C20	4030017380	S.CER ECJ0EC1H050B	T	17.1/44.9
C21	4030017590	S.CER ECJ0EC1H070C	T	17/28.7
C22	4030017630	S.CER ECJ0EC1H120J	T	18.5/27.9
C23	4030017460	S.CER ECJ0EB1E102K	T	18.3/32.1
C24	4030017580	S.CER ECJ0EC1H060C	T	15.9/33.5
C25	4030017460	S.CER ECJ0EB1E102K	T	17.1/32.9
C26	4030017460	S.CER ECJ0EB1E102K	T	19.8/30.4
C27	4030017430	S.CER ECJ0EC1H101J	T	20.9/34.1
C28	4030017460	S.CER ECJ0EB1E102K	T	16.9/27
C29	4030017460	S.CER ECJ0EB1E102K	T	18.2/25.5
C30	4030017400	S.CER ECJ0EC1H220J	B	7.2/20
C31	4030017390	S.CER ECJ0EC1H180J	B	7.1/22.5
C32	4030018860	S.CER ECJ0EB0J105K	B	10.2/22.5
C33	4030018860	S.CER ECJ0EB0J105K	B	11.8/22.4
C34	4030017460	S.CER ECJ0EB1E102K	B	12.1/20.9
C35	4030017400	S.CER ECJ0EC1H220J	B	13.3/20.4
C36	4030017460	S.CER ECJ0EB1E102K	B	4.7/17.3
C37	4030017460	S.CER ECJ0EB1E102K	B	5.9/17
C38	4030017460	S.CER ECJ0EB1E102K	B	6.2/8.4
C39	4030017460	S.CER ECJ0EB1E102K	B	9/11.7
C40	4030017460	S.CER ECJ0EB1E102K	B	19.4/29.2
C41	4030017460	S.CER ECJ0EB1E102K	T	3.3/32.5
C42	4030017460	S.CER ECJ0EB1E102K	T	3.3/37.1
C43	4030017460	S.CER ECJ0EB1E102K	T	20.4/23.2
C44	4030017460	S.CER ECJ0EB1E102K	T	18.8/34.9
C45	4030017620	S.CER ECJ0EC1H100C	T	21.1/33.2
C100	4030017430	S.CER ECJ0EC1H101J	T	9/18.2
C101	4030017610	S.CER ECJ0EC1H090C	T	9/16.6
C102	4030011530	S.CER C1608 CH 1H 110J-T	T	10/12.4
C103	4030007030	S.CER C1608 CH 1H 150J-T	T	8.8/12.4
C104	4030007080	S.CER C1608 CH 1H 390J-T	T	8.8/9.8
C106	4030017570	S.CER ECJ0EC1H040B	T	3/12.3
C107	4030011540	S.CER C1608 CH 1H 750J-T	T	4.4/10
C108	4030017460	S.CER ECJ0EB1E102K	T	2.7/13.5
C109	4030017460	S.CER ECJ0EB1E102K	T	13.8/2.3
C111	4550007650	S.TAN F931V105MAABMA	T	7.8/5.1
C112	4030017650	S.CER ECJ0EC1H270J	T	18.6/9.3
C115	4030017680	S.CER ECJ0EC1H820J	T	22.2/9.1

[RF UNIT]

REF NO.	ORDER NO.	DESCRIPTION	M.	H/V LOCATION
C116	4030017420	S.CER ECJ0EC1H470J	T	19/6.9
C119	4030017460	S.CER ECJ0EB1E102K	T	20.4/9.8
C121	4030017330	S.CER ECJ0EF1C104Z	T	18.3/3.4
C122	4030017330	S.CER ECJ0EF1C104Z	T	18.3/4.3
C123	4030017330	S.CER ECJ0EF1C104Z	T	19.5/5.1
C124	4030017460	S.CER ECJ0EB1E102K	T	20.4/5.1
C125	4030016930	S.CER ECJ0EB1A104K	T	29.1/10.3
C126	4030017460	S.CER ECJ0EB1E102K	T	30.1/10.1
C127	4030017620	S.CER ECJ0EC1H100C	T	28.7/7.3
C128	4030017460	S.CER ECJ0EB1E102K	T	29.9/6.9
C129	4030017460	S.CER ECJ0EB1E102K	T	29.6/5.5
C132	4030017620	S.CER ECJ0EC1H100C	T	16.1/5.6
C133	4030017460	S.CER ECJ0EB1E102K	T	31.9/9.8
C134	4030017330	S.CER ECJ0EF1C104Z	T	33.1/10.4
C135	4030017340	S.CER ECJ0EC1H010B	T	39.3/25.3
C136	4030017460	S.CER ECJ0EB1E102K	T	35.1/3.5
C139	4030017430	S.CER ECJ0EC1H101J	T	38.3/7.2
C140	4030017460	S.CER ECJ0EB1E102K	T	38.3/8.8
C141	4030017430	S.CER ECJ0EC1H101J	T	42/9.6
C142	4030017460	S.CER ECJ0EB1E102K	T	39.6/10.5
C143	4030017460	S.CER ECJ0EB1E102K	T	42.5/1.8
C144	4030017460	S.CER ECJ0EB1E102K	T	31/10.1
C145	4030017460	S.CER ECJ0EB1E102K	T	6.2/6.9
C146	4030017460	S.CER ECJ0EB1E102K	T	36.8/10.2
C150	4030016950	S.CER ECJ0EB1A473K	B	32.6/5.7
C151	4030016930	S.CER ECJ0EB1A104K	B	31.1/7.7
C152	4030016790	S.CER ECJ0EB1C103K	B	25.7/3.7
C154	4030017460	S.CER ECJ0EB1E102K	B	27.7/9.2
C158	4030017460	S.CER ECJ0EB1E102K	B	23.5/8.3
C159	4550007600	S.TAN F920J106MPABMA	B	24/10.8
C160	4030016790	S.CER ECJ0EB1C103K	T	41.6/1.8
C161	4030016930	S.CER ECJ0EB1A104K	T	38.5/4
C162	4030017460	S.CER ECJ0EB1E102K	T	13.6/24.6
C163	4030017340	S.CER ECJ0EC1H010B	T	15/23
C164	4030017460	S.CER ECJ0EB1E102K	T	17.7/20.6
C165	4030017350	S.CER ECJ0EC1H020B	T	12.4/23.8
C167	4030017570	S.CER ECJ0EC1H040B	T	11.1/22.9
C168	4030017440	S.CER ECJ0EC1H221J	T	18.1/24.4
C169	4030017460	S.CER ECJ0EB1E102K	T	20.1/21.9
C170	4030017440	S.CER ECJ0EC1H221J	T	17.7/16.5
C171	4030017340	S.CER ECJ0EC1H010B	T	12.2/18.3
C172	4030017460	S.CER ECJ0EB1E102K	T	16.1/15.4
C173	4030017460	S.CER ECJ0EB1E102K	B	11.3/18.8
C174	4030017340	S.CER ECJ0EC1H010B	T	5.9/16.8
C175	4030017400	S.CER ECJ0EC1H220J	T	2.1/16.8
C176	4030017400	S.CER ECJ0EC1H220J	T	2.1/12.3
C177	4030017340	S.CER ECJ0EC1H010B	T	2.1/14.9
C178	4030017460	S.CER ECJ0EB1E102K	B	9/13.9
C179	4030017460	S.CER ECJ0EB1E102K	B	2.4/14.1
C180	4030017460	S.CER ECJ0EB1E102K	B	8.9/19.4
C181	4030017460	S.CER ECJ0EB1E102K	B	8.6/3.3
C182	4030017460	S.CER ECJ0EB1E102K	T	6.8/17.7
C183	4030017460	S.CER ECJ0EB1E102K	T	18.6/16.5
C184	4030017460	S.CER ECJ0EB1E102K	B	10.5/15.3
C185	4030017460	S.CER ECJ0EB1E102K	B	6/12.7
C186	4030017460	S.CER ECJ0EB1E102K	T	17.7/21.5
C192	4030017570	S.CER ECJ0EC1H040B	T	9/19.5
C201	4030017630	S.CER ECJ0EC1H120J	B	16.9/18.6
C202	4030017500	S.CER ECJ0EC1H560J	B	18.1/18.3
C203	4030017580	S.CER ECJ0EC1H060C	B	19.3/18.6
C204	4030017660	S.CER ECJ0EC1H330J	B	19.1/17.4
C205	4030017500	S.CER ECJ0EC1H560J	B	22.7/13.6
C206	4030017400	S.CER ECJ0EC1H220J	B	22.5/14.8
C207	4030017710	S.CER ECJ0EC1H181J	B	23.6/13.6
C208	4030017600	S.CER ECJ0EC1H080C	B	24.1/14.8
C209	4030017430	S.CER ECJ0EC1H101J	B	24.5/13.6
C210	4030018860	S.CER ECJ0EB0J105K	B	25.7/14.7
C211	4030016930	S.CER ECJ0EB1A104K	B	29/13.4
C212	4030016930	S.CER ECJ0EB1A104K	B	28.1/13.4
C213	4030018860	S.CER ECJ0EB0J105K	B	13.6/18.3
C214	4030018860	S.CER ECJ0EB0J105K	B	26.3/13.5
C250	4030017660	S.CER ECJ0EC1H330J	T	22.8/17.1
C251	4030016790	S.CER ECJ0EB1C103K	T	29.9/18.5
C252	4030017460	S.CER ECJ0EB1E102K	T	25.1/19.9
C253	4030017400	S.CER ECJ0EC1H220J	T	24.1/16.8
C254	4030016790	S.CER ECJ0EB1C103K	T	23.3/15.5
C255	4030016790	S.CER ECJ0EB1C103K	T	25.5/13
C256	4030016930	S.CER ECJ0EB1A104K	T	24.6/13
C257	4030017620	S.CER ECJ0EC1H100C	T	28.6/12.7
C258	4030016790	S.CER ECJ0EB1C103K	T	31.1/19
C259	4030017460	S.CER ECJ0EB1E102K	T	31.4/14.5
C260	4030017660	S.CER ECJ0EC1H330J	T	30.2/14.2
C261	4030017420	S.CER ECJ0EC1H470J	T	32.6/16.7
C262	4030017420	S.CER ECJ0EC1H470J	T	25.2/21.1
C263	4030017420	S.CER ECJ0EC1H470J	T	33.4/15.5
C264	4030017420	S.CER ECJ0EC1H470J	T	22.4/24.2
C268	4030017460	S.CER ECJ0EB1E102K	T	34.5/13.1
C300	4030017460	S.CER ECJ0EB1E102K	B	8.2/24.1

[RF UNIT]

REF NO.	ORDER NO.	DESCRIPTION	M.	H/V LOCATION
C317	4030017460	S.CER ECJ0EB1E102K	B	16.5/25.9
C318	4030016790	S.CER ECJ0EB1C103K	B	11.8/25.1
C319	4030016790	S.CER ECJ0EB1C103K	B	12.2/24.2
C320	4030017460	S.CER ECJ0EB1E102K	B	16.3/27.1
C321	4030017360	S.CER ECJ0EC1H030B	B	16.3/28
C322	4030017460	S.CER ECJ0EB1E102K	B	19.5/25.6
C323	4030017460	S.CER ECJ0EB1E102K	B	14.5/29
C324	4030017460	S.CER ECJ0EB1E102K	B	21.9/24.8
C325	4030017360	S.CER ECJ0EC1H030B	B	21.9/28.5
C326	4030017460	S.CER ECJ0EB1E102K	B	25.8/28.2
C327	4030016790	S.CER ECJ0EB1C103K	B	24/28.4
C328	4030017730	S.CER ECJ0EB1E471K	B	26.7/26.5
C329	4030017460	S.CER ECJ0EB1E102K	B	3/35.3
C330	4030017460	S.CER ECJ0EB1E102K	B	2.8/36.5
C331	4030017460	S.CER ECJ0EB1E102K	B	4.5/31.2
C332	4030017460	S.CER ECJ0EB1E102K	B	2.7/31.6
C335	4030017460	S.CER ECJ0EB1E102K	B	15.6/34
C336	4030016790	S.CER ECJ0EB1C103K	B	11.8/23.3
C337	4030017420	S.CER ECJ0EC1H470J	B	25.2/24.9
C339	4030017440	S.CER ECJ0EC1H221J	B	3.8/38
C340	4030017460	S.CER ECJ0EB1E102K	T	20.6/26.7
C341	4030017460	S.CER ECJ0EB1E102K	T	18.2/26.4
C400	4030017440	S.CER ECJ0EC1H221J	B	17/20.7
C401	4030017370	S.CER ECJ0EC1H3R5B	B	17/21.6
C402	4030018860	S.CER ECJ0EB0J105K	B	19.8/24
C403	4030017460	S.CER ECJ0EB1E102K	B	17.7/23.5
C404	4030016790	S.CER ECJ0EB1C103K	B	21.6/23.1
C405	4030017460	S.CER ECJ0EB1E102K	B	20.7/23.2
C407	4030017600	S.CER ECJ0EC1H080C	B	23.6/20.7
C408	4030017550	S.CER ECJ0EC1H1R5B	B	26.3/18.9
C409	4030017430	S.CER ECJ0EC1H101J	B	28.4/17.4
C410	4030017690	S.CER ECJ0EC1H121J	B	29.3/17.4
C411	4030017380	S.CER ECJ0EC1H050B	B	29.9/20.2
C412	4030018860	S.CER ECJ0EB0J105K	B	33.2/16.4
C413	4030017460	S.CER ECJ0EB1E102K	B	32/16.9
C414	4030016790	S.CER ECJ0EB1C103K	B	34.2/18.7
C415	4030017460	S.CER ECJ0EB1E102K	B	34.8/17.8
C417	4030017460	S.CER ECJ0EB1E102K	B	35.5/19
C418	4030017460	S.CER ECJ0EB1E102K	B	33.2/17.3
C419	4030017430	S.CER ECJ0EC1H101J	B	36.3/17.2
C420	4030017530	S.CER ECJ0EC1H0R5B	B	38.7/17.4
C421	4030017660	S.CER ECJ0EC1H330J	B	38.7/16.5
C422	4030017430	S.CER ECJ0EC1H101J	B	41.4/14.8
C423	4030017580	S.CER ECJ0EC1H060C	B	39.9/16.8
C424	4030017460	S.CER ECJ0EB1E102K	B	38.5/19.2
C425	4030017460	S.CER ECJ0EB1E102K	B	36.5/20.1
C450	4030017550	S.CER ECJ0EC1H1R5B	B	26.6/20.8
C451	4030017430	S.CER ECJ0EC1H101J	B	24.3/23.1
C452	4030017460	S.CER ECJ0EB1E102K	B	23.4/23.1
C453	4030017380	S.CER ECJ0EC1H050B	B	27.9/22.6
C454	4030018860	S.CER ECJ0EB0J105K	B	31.5/26.1
C455	4030017460	S.CER ECJ0EB1E102K	B	26.7/25
C456	4030016790	S.CER ECJ0EB1C103K	B	30.6/26.1
C457	4030017460	S.CER ECJ0EB1E102K	B	29.7/26.1
C459	4030017460	S.CER ECJ0EB1E102K	B	34/23.8
C460	4030017430	S.CER ECJ0EC1H101J	B	35.5/25.9
C461	4030017460	S.CER ECJ0EB1E102K	B	32.4/26.6
C462	4030017530	S.CER ECJ0EC1H0R5B	B	37.1/22.9
C463	4030017660	S.CER ECJ0EC1H330J	B	37.1/23.8
C464	4030017440	S.CER ECJ0EC1H221J	B	36.7/26.5
C465	4030017430	S.CER ECJ0EC1H101J	B	38.7/25.2
C466	4030017580	S.CER ECJ0EC1H060C	B	38.3/21.9
C467	4030017420	S.CER ECJ0EC1H470J	B	46.2/19.4
C469	4030017420	S.CER ECJ0EC1H470J	B	46.1/22.7
C470	4030017420	S.CER ECJ0EC1H470J	B	38/20.7
C471	4030017420	S.CER ECJ0EC1H470J	B	39.2/20.1
C472	4030017460	S.CER ECJ0EB1E102K	B	44.4/17.7
C473	4030017420	S.CER ECJ0EC1H470J	B	44.9/18.9
C474	4030017420	S.CER ECJ0EC1H470J	B	40.9/24.2
C500	4030017380	S.CER ECJ0EC1H050B	B	10.6/36.7
C501	4030017460	S.CER ECJ0EB1E102K	B	5.9/38.5
C502	4030017610	S.CER ECJ0EC1H090C	B	7.2/36.2
C503	4030017460	S.CER ECJ0EB1E102K	B	7.9/40.7
C504	4030017590	S.CER ECJ0EC1H070C	B	9.7/38.4
C505	4030017460	S.CER ECJ0EB1E102K	B	8.8/41.9
C506	4030017460	S.CER ECJ0EB1E102K	B	10.6/42.8
C507	4030017460	S.CER ECJ0EB1E102K	B	12.1/41.9
C508	4030017460	S.CER ECJ0EB1E102K	B	13.7/44.6
C509	4030017610	S.CER ECJ0EC1H090C	B	12.8/40.3
C510	4030017350	S.CER ECJ0EC1H020B	B	14/39.8
C511	4030017610	S.CER ECJ0EC1H090C	B	15.2/43.6
C512	4030017440	S.CER ECJ0EC1H221J	B	16.3/44.4
C513	4030017460	S.CER ECJ0EB1E102K	B	18/44.1
C514	4030017630	S.CER ECJ0EC1H120J	B	18.6/40.7
C515	4030017460	S.CER ECJ0EB1E102K	B	19.9/37.6
C516	4030017460	S.CER ECJ0EB1E102K	B	20.2/41.6
C517	4030017600	S.CER ECJ0EC1H080C	B	18.7/37.8
C518	4030017460	S.CER ECJ0EB1E102K	B	15.5/35.4
C519	4030017390	S.CER ECJ0EC1H180J	B	11.8/37.2
C523	4030017460	S.CER ECJ0EB1E102K	B	13.3/37.6
C600	4030017380	S.CER ECJ0EC1H050B	B	18.2/30.8
C601	4030017650	S.CER ECJ0EC1H270J	B	17/30.3
C602	4030017630	S.CER ECJ0EC1H120J	B	17.7/29.4
C603	4030018860	S.CER ECJ0EB0J105K	B	26/35.3
C604	4030017460	S.CER ECJ0EB1E102K	B	20/34.6
C606	4030016790	S.CER ECJ0EB1C103K	B	21.9/36.4
C607	4030017460	S.CER ECJ0EB1E102K	B	22.4/35.2
C608	4030017350	S.CER ECJ0EC1H020B	B	23.8/32.4
C609	4030017350	S.CER ECJ0EC1H020B	B	26/29.8
C610	4030017630	S.CER ECJ0EC1H120J	B	29.4/27.7
C611	4030017530	S.CER ECJ0EC1H0R5B	B	30.8/31
C612	4030017350	S.CER ECJ0EC1H020B	B	30.8/29.7
C613	4030017630	S.CER ECJ0EC1H120J	B	32.3/28.2
C614	4030017460	S.CER ECJ0EB1E102K	B	31.2/27.3

[RF UNIT]

REF NO.	ORDER NO.	DESCRIPTION	M.	H/V LOCATION
C615	4030017380	S.CER ECJ0EC1H050B	B	34.8/29.7
C616	4030018860	S.CER ECJ0EB0J105K	B	34.4/27.8
C617	4030017460	S.CER ECJ0EB1E102K	B	37.1/27.8
C618	4030016790	S.CER ECJ0EB1C103K	B	38/27.7
C619	4030017460	S.CER ECJ0EB1E102K	B	39.8/27.7
C620	4030017460	S.CER ECJ0EB1E102K	B	40.7/27.8
C621	4030017620	S.CER ECJ0EC1H100C	B	40.4/30.6
C622	4030017640	S.CER ECJ0EC1H150J	B	44.3/40.4
C623	4030017340	S.CER ECJ0EC1H010B	B	41.8/28.1
C625	4030017640	S.CER ECJ0EC1H150J	B	44/26.4
C626	4030017460	S.CER ECJ0EB1E102K	B	45.2/26.7
C627	4030017570	S.CER ECJ0EC1H040B	B	41.8/24.2
C630	4030017630	S.CER ECJ0EC1H120J	B	17.4/32.1
C631	4030017390	S.CER ECJ0EC1H180J	B	17/31.2
C633	4030017670	S.CER ECJ0EC1H390J	B	15.3/32.8
C650	4030017350	S.CER ECJ0EC1H020B	B	27.6/30.4
C651	4030017630	S.CER ECJ0EC1H120J	B	27.3/36.3
C652	4030017530	S.CER ECJ0EC1H0R5B	B	29.6/33.7
C653	4030017350	S.CER ECJ0EC1H020B	B	29.6/34.6
C654	4030017640	S.CER ECJ0EC1H150J	B	31/36.4
C655	4030017460	S.CER ECJ0EB1E102K	B	29.6/37
C656	4030017380	S.CER ECJ0EC1H050B	B	33.6/30.6
C657	4030017460	S.CER ECJ0EB1E102K	B	40.9/36.3
C658	4030017460	S.CER ECJ0EB1E102K	B	36.5/36.2
C659	4030016790	S.CER ECJ0EB1C103K	B	37.4/37.3
C660	4030017460	S.CER ECJ0EB1E102K	B	38.3/36.9
C662	4030017620	S.CER ECJ0EC1H100C	B	41.3/35.1
C663	4030017640	S.CER ECJ0EC1H150J	B	43.1/37.5
C664	4030017340	S.CER ECJ0EC1H010B	B	45.4/30.7
C666	4030017640	S.CER ECJ0EC1H150J	B	46.7/37.9
C667	4030017460	S.CER ECJ0EB1E102K	B	44.9/38.9
C668	4030017570	S.CER ECJ0EC1H040B	B	45.9/33.8
C669	4030017420	S.CER ECJ0EC1H470J	B	43.9/24.4
C671	4030017460	S.CER ECJ0EB1E102K	B	43/23.8
C672	4030016930	S.CER ECJ0EB1A104K	B	44.1/22.7
C673	4030017460	S.CER ECJ0EB1E102K	B	39.6/11.3
C674	4030016930	S.CER ECJ0EB1A104K	B	23.5/29.6
C700	4030017380	S.CER ECJ0EC1H050B	T	18/43.1
C701	4030017580	S.CER ECJ0EC1H060C	T	18/42.2
C702	4030017460	S.CER ECJ0EB1E102K	T	16.4/44
C703	4030017460	S.CER ECJ0EB1E102K	T	14.8/43.7
C704	4030017650	S.CER ECJ0EC1H270J	T	20/41.5
C705	4030017380	S.CER ECJ0EC1H050B	T	15.9/40.9
C706	4030017460	S.CER ECJ0EB1E102K	T	20/40.6
C707	4030017460	S.CER ECJ0EB1E102K	T	12.2/41.2
C708	4030017680	S.CER ECJ0EC1H820J	T	20/38.2
C709	4030017460	S.CER ECJ0EB1E102K	T	10.4/39.6
C710	4030017650	S.CER ECJ0EC1H270J	T	9.5/36.4
C711	4030017550	S.CER ECJ0EC1H1R5B	T	12.5/38.4
C713	4030017650	S.CER ECJ0EC1H270J	T	13/34.7
C714	4030017460	S.CER ECJ0EB1E102K	T	9.5/35.5
C715	4030017640	S.CER ECJ0EC1H150J	T	14/36.9
C716	4030017460	S.CER ECJ0EB1E102K	T	14.9/35.3
C717	4030017460	S.CER ECJ0EB1E102K	T	17.9/35.3
C718	4030017620	S.CER ECJ0EC1H100C	T	19.2/37.3
C719	4030017730	S.CER ECJ0EB1E471K	T	13.5/43.4
C721	4030017460	S.CER ECJ0EB1E102K	T	25/34.1
C722	4030017400	S.CER ECJ0EC1H220J	T	12.1/35.2
C800	4030017570	S.CER ECJ0EC1H040B	T	46.1/23.3
C801	4030017570	S.CER ECJ0EC1H040B	T	46.1/22.4
C802	4030017460	S.CER ECJ0EB1E102K	T	45.7/18.3
C803	4030017460	S.CER ECJ0EB1E102K	T	47.5/18.1
C804	4030017460	S.CER ECJ0EB1E102K	T	42.5/22.6
C805	4030017570	S.CER ECJ0EC1H040B	T	44.1/22.6
C806	4030017460	S.CER ECJ0EB1E102K	T	43.4/19.1
C807	4030016790	S.CER ECJ0EB1C103K	T	24.5/28.2
C810	4030017430	S.CER ECJ0EC1H101J	T	25.6/24.4
C811	4030016790	S.CER ECJ0EB1C103K	T	25.6/25.3
C812	4030016790	S.CER ECJ0EB1C103K	T	25.8/22.6
C813	4030017430	S.CER ECJ0EC1H101J	T	27/22.3
C814	4550007680	S.TAN TEESVP 0J 226M8R	T	28.4/22.6
C815	4030017400	S.CER ECJ0EC1H220J	T	26.8/30.1
C818	4030017430	S.CER ECJ0EC1H101J	T	32.4/27.2
C819	4030017460	S.CER ECJ0EB1E102K	T	31.9/29.9
C820	4550006910	S.TAN TEESVP 1C 334M8R	T	32/21.1
C821	4550007760	S.TAN TEESVP 1A 335M8R	T	33.7/21.2
C822	4340000260	S.MLR CPU1C104MA5	T	33.6/25.3
C823	4550007120	S.TAN F92 1D 224MA	T	30.1/22.3
C826	4030017420	S.CER ECJ0EC1H470J	T	40.9/20.8
C830	4030017460	S.CER ECJ0EB1E102K	T	49.8/41.8
C833	4030018860	S.CER ECJ0EB0J105K	T	40.3/37.4
C834	4030017460	S.CER ECJ0EB1E102K	T	40.3/36.5
C835	4030017460	S.CER ECJ0EB1E102K	T	45.2/39.3
C836	4030018860	S.CER ECJ0EB0J105K	T	46.1/39.3
C837	4030017460	S.CER ECJ0EB1E102K	T	33/28.7
C838	4030017730	S.CER ECJ0EB1E471K	T	35/17.6
C839	4030017440	S.CER ECJ0EC1H221J	T	46.6/18

[RF UNIT]

REF NO.	ORDER NO.	DESCRIPTION	M.	H/V LOCATION
C905	4030017460	S.CER ECJ0EB1E102K	B	43.7/13
C906	4030017440	S.CER ECJ0EC1H221J	T	42.9/28.7
C907	4030017440	S.CER ECJ0EC1H221J	B	47.7/32.8
C908	4030017730	S.CER ECJ0EB1E471K	B	49.6/31.7
C909	4030017650	S.CER ECJ0EC1H270J	T	40.7/18.2
C910	4030017460	S.CER ECJ0EB1E102K	B	44.8/32.7
C911	4030017420	S.CER ECJ0EC1H470J	T	42.3/33
C912	4030017420	S.CER ECJ0EC1H470J	B	48/30.9
C915	4030017420	S.CER ECJ0EC1H470J	B	48.8/29.8
C919	4030017460	S.CER ECJ0EB1E102K	B	32.8/37.3
C950	4030016930	S.CER ECJ0EB1A104K	T	39.4/39.7
C951	4030016930	S.CER ECJ0EB1A104K	B	37.2/45.3
C952	4550007680	S.TAN TEESVP OJ 226M8R	T	36/45.6
C960	4030016930	S.CER ECJ0EB1A104K	T	39.4/38.8
C961	4030016930	S.CER ECJ0EB1A104K	T	35.1/34.4
C962	4030016930	S.CER ECJ0EB1A104K	B	34.7/37
C963	4030016930	S.CER ECJ0EB1A104K	B	33.7/37
C964	4030016930	S.CER ECJ0EB1A104K	T	31.2/37.4
C965	4030016930	S.CER ECJ0EB1A104K	T	32.2/45.3
C966	4030016930	S.CER ECJ0EB1A104K	T	33.1/45.3
C967	4030016930	S.CER ECJ0EB1A104K	T	32.7/34.4
C1000	4030017460	S.CER ECJ0EB1E102K	B	42.6/7
C1002	4030017460	S.CER ECJ0EB1E102K	B	46.5/2.4
C1004	4030017460	S.CER ECJ0EB1E102K	T	27/5.1
C1005	4030017460	S.CER ECJ0EB1E102K	B	36.2/9.7
C1006	4030017460	S.CER ECJ0EB1E102K	B	40.8/8.2
C1007	4510008540	S.ELE EEE1CA100SR	T	45.5/11.8
C1008	4030017460	S.CER ECJ0EB1E102K	B	39.6/9.5
C1009	4030017460	S.CER ECJ0EB1E102K	B	45.1/23.6
C1010	4030017350	S.CER ECJ0EC1H020B	T	35.7/8.1
J800	6510025370	S.CNR AXK816145YG	T	38/21.9
J1000	6450000870	CNR HEC2711-01-020		
J1001	6510024410	S.CNR AXK6S30545	T	47.2/30.3
EP1	6910018460	S.BEA MMZ1005Y102C-T	B	6.7/9.7
EP100	6910014730	S.BEA MPZ2012S331A-T	T	14.6/4
EP101	6910012350	S.BEA MMZ1608Y 102BT	T	17.8/5.4
EP102	6910018460	S.BEA MMZ1005Y102C-T	T	37.1/9.3
EP150	6910018460	S.BEA MMZ1005Y102C-T	B	27.3/3
EP900	6910018460	S.BEA MMZ1005Y102C-T	T	40.3/14.4
EP1000	6910014730	S.BEA MPZ2012S331A-T	B	48.7/6
EP1001	6910014730	S.BEA MPZ2012S331A-T	B	42.7/5
EP1002	6910014730	S.BEA MPZ2012S331A-T	B	35.1/2.8
EP1003	6910014730	S.BEA MPZ2012S331A-T	T	26.4/3.7
Q1	1530003560	S.TR 2SC5195-T1	T	10.4/16.5
Q2	1590003280	S.TR UNR9211J-(TX)	T	4.6/15.1

[VCO UNIT]

REF NO.	ORDER NO.	DESCRIPTION	M.	H/V LOCATION
Q51	1530003560	S.TR 2SC5195-T1	T	14/9.6
Q52	1590003280	S.TR UNR9211J-(TX)	T	18.1/17.4
Q101	1530003260	S.TR 2SC5006-T1	T	9/2.5
Q102	1590003280	S.TR UNR9211J-(TX)	T	19/1.8
Q200	1530003260	S.TR 2SC5006-T1	T	8.8/10.9
Q201	1530003260	S.TR 2SC5006-T1	T	3.8/3.5
Q202	1530003260	S.TR 2SC5006-T1	T	5.6/11.4
D1	1750001270	S.VCP 1SV325 (TPH3,F)	T	3.2/18
D2	1790001621	S.DIO 1SV308 (TPL3,F)	T	7.1/16.3
D3	1750001270	S.VCP 1SV325 (TPH3,F)	T	12.2/15.5
D4	1790001250	S.DIO MA2S111-(TX)	T	12.8/18.9
D5	1750001270	S.VCP 1SV325 (TPH3,F)	T	4.4/17.3
D6	1750001270	S.VCP 1SV325 (TPH3,F)	T	12.2/14.3
D51	1750000771	S.VCP HVC376BTRF-E	T	16.5/14.2
D52	1790001260	S.DIO MA2S077-(TX)	T	14.6/17.7
D53	1790001250	S.DIO MA2S111-(TX)	T	12.4/7.4
D54	1750001270	S.VCP 1SV325 (TPH3,F)	T	15.6/12.4
D55	1720000651	S.VCP 1SV286 (TPH3,F)	T	17.4/10.6
D100	1720000651	S.VCP 1SV286 (TPH3,F)	T	17.4/1.6
D101	1750000721	S.VCP HVC375BTRF-E	T	12.2/2.2
D102	1790001260	S.DIO MA2S077-(TX)	T	16.8/5.4
D103	1790001250	S.DIO MA2S111-(TX)	T	7.4/1.6
D104	1750000721	S.VCP HVC375BTRF-E	T	13.9/3.1
L2	6200011650	S.COL LQW18AN68NG00D	T	6.8/18.3
L3	6200011660	S.COL LQW18ANR15G00D	T	5/19.1
L52	6200010850	S.COL LQW18AN22NG00D	T	14.7/13.9
L53	6200012050	S.COL LQW18AN24NG00D	T	14.7/15.1
L101	6200011031	S.COL ELJRF R10JFB	T	7.6/3.5
L102	6200010120	S.COL LQW18ANSN6C00D	T	12.3/4.7
L103	6200012060	S.COL LQW18AN9N1D00D	T	14.1/5.4
L104	6200013430	S.COL MLG1005S R15J-T		
L200	6200010991	S.COL ELJRF 47NJFB	T	2.3/1.5
L201	6200011021	S.COL ELJRF 82NJFB	T	4/11.9
L202	6200007951	S.COL ELJRF 8N2JFB (8.2)	T	3.6/10.1
L203	6200007931	S.COL ELJRF 12NJFB	T	4.1/1.5
L204	6200007961	S.COL ELJRF 6N8JFB (6.8)	T	6.3/5
R1	7030005240	S.RES ERJ2GEJ 473 X (47 k)	T	6.2/15
R2	7030007290	S.RES ERJ2GEJ 222 X (2.2 k)	T	8/15
R3	7030004970	S.RES ERJ2GEJ 470 X (47)	T	10.7/18.8
R4	7030005050	S.RES ERJ2GEJ 103 X (10 k)	T	10.7/17.9
R5	7030005050	S.RES ERJ2GEJ 103 X (10 k)	T	9.1/18.8
R6	7030005710	S.RES ERJ2GEJ 121 X (120)	T	10/13.8

[VCO UNIT]

REF NO.	ORDER NO.	DESCRIPTION	M.	H/V LOCATION
R7	7030005090	S.RES ERJ2GEJ 104 X (100 k)	T	11.6/12.4
R8	7030005120	S.RES ERJ2GEJ 102 X (1 k)	T	2.8/16.4
R9	7030010040	S.RES ERJ2GEJ-JPW	T	11.6/13.3
R10	7030007290	S.RES ERJ2GEJ 222 X (2.2 k)	T	7.1/15
R50	7030005120	S.RES ERJ2GEJ 102 X (1 k)	T	17.5/13.9
R51	7030005240	S.RES ERJ2GEJ 473 X (47 k)	T	16.5/17.2
R52	7030007290	S.RES ERJ2GEJ 222 X (2.2 k)	T	15.6/16.4
R53	7030004970	S.RES ERJ2GEJ 470 X (47)	T	12.8/8.4
R54	7030005210	S.RES ERJ2GEJ 822 X (8.2 k)	T	15.5/9.5
R55	7030005050	S.RES ERJ2GEJ 103 X (10 k)	T	16.4/9.5
R56	7030007270	S.RES ERJ2GEJ 151 X (150)	T	12.3/10.2
R58	7030005600	S.RES ERJ2GEJ 273 X (27 k)	T	18.9/11.8
R59	7030005600	S.RES ERJ2GEJ 273 X (27 k)	T	19.8/10.2
R60	7030007290	S.RES ERJ2GEJ 222 X (2.2 k)	T	13.8/16.4
R61	7030007320	S.RES ERJ2GEJ 225 X (2.2 M)	T	19.8/13.4
R62	7030005090	S.RES ERJ2GEJ 104 X (100 k)	T	17.7/12.7
R101	7030005240	S.RES ERJ2GEJ 473 X (47 k)	T	17.9/6.5
R102	7030007290	S.RES ERJ2GEJ 222 X (2.2 k)	T	15.6/6.5
R104	7030007300	S.RES ERJ2GEJ 332 X (3.3 k)	T	9.2/1
R105	7030005050	S.RES ERJ2GEJ 103 X (10 k)	T	9.4/7
R106	7030004990	S.RES ERJ2GEJ 221 X (220)	T	10.2/5.6
R107	7030005090	S.RES ERJ2GEJ 104 X (100 k)	T	18.2/7.4
R108	7030007320	S.RES ERJ2GEJ 225 X (2.2 M)	T	16.6/7.4
R109	7030008410	S.RES ERJ2GEJ 392 X (3.9 k)	T	16.6/8.3
R110	7030007340	S.RES ERJ2GEJ 153 X (15 k)	T	18.9/10.2
R111	7030005120	S.RES ERJ2GEJ 102 X (1 k)	T	15.2/3.3
R112	7030007290	S.RES ERJ2GEJ 222 X (2.2 k)	T	16.6/1.4
R113	7030005040	S.RES ERJ2GEJ 472 X (4.7 k)	T	20.2/16.2
R114	7030010040	S.RES ERJ2GEJ-JPW	T	19.4/3.4
R115	7030010040	S.RES ERJ2GEJ-JPW	T	17.8/3.4
R116	7030004980	S.RES ERJ2GEJ 101 X (100)	T	10/8.2
R200	7030009160	S.RES ERJ2GEJ 181 X (180)	T	7.5/13.2
R201	7030005070	S.RES ERJ2GEJ 683 X (68 k)	T	9.5/9.4
R202	7030005300	S.RES ERJ2GEJ 150 X (15)	T	8.9/7
R203	7030005570	S.RES ERJ2GEJ 820 X (82)	T	7.7/8.2
R204	7030005570	S.RES ERJ2GEJ 820 X (82)	T	7.3/7
R205	7030004970	S.RES ERJ2GEJ 470 X (47)	T	2.1/2.7
R206	7030005060	S.RES ERJ2GEJ 333 X (33 k)	T	5.3/3.9
R207	7030004970	S.RES ERJ2GEJ 470 X (47)	T	5.9/8.1
R208	7030005070	S.RES ERJ2GEJ 683 X (68 k)	T	5.9/9
C1	4030017460	S.CER ECJ0EB1E102K	T	3.1/13.6
C3	4030017690	S.CER ECJ0EC1H121J	T	9.1/17.9
C4	4030016790	S.CER ECJ0EB1C103K	T	7.9/17.6
C5	4030016790	S.CER ECJ0EB1C103K	T	5.5/17
C6	4030017460	S.CER ECJ0EB1E102K	T	3.1/15.2
C7	4030017460	S.CER ECJ0EB1E102K	T	12.8/17.5
C8	4030016790	S.CER ECJ0EB1C103K	T	11.9/17.5
C9	4030017680	S.CER ECJ0EC1H820J	T	8.8/16.6
C10	4030017460	S.CER ECJ0EB1E102K	T	10/14.7
C11	4030017350	S.CER ECJ0EC1H020B	T	10.3/11.9
C51	4030017460	S.CER ECJ0EB1E102K	T	18.9/13.8
C53	4030018070	S.CER ECJ0EC1H300J	T	15.5/11.1
C54	4030017460	S.CER ECJ0EB1E102K	T	14.7/16.4
C55	4030017460	S.CER ECJ0EB1E102K	T	17.5/15.7
C56	4030017460	S.CER ECJ0EB1E102K	T	19.6/17.7
C57	4030017460	S.CER ECJ0EB1E102K	T	12.3/9.3
C58	4030017460	S.CER ECJ0EB1E102K	T	14.9/8
C59	4030017650	S.CER ECJ0EC1H270J	T	13.9/11.1
C60	4030017420	S.CER ECJ0EC1H470J	T	13.4/12.3
C61	4030017540	S.CER ECJ0EC1HR75B	T	12.3/11.1
C62	4030016930	S.CER ECJ0EB1A104K	T	19.8/11.8
C63	4030017530	S.CER ECJ0EC1H0R5B	T	16.4/11.1
C101	4030017460	S.CER ECJ0EB1E102K	T	15.9/1.5
C102	4030017500	S.CER ECJ0EC1H560J	T	15.9/2.4
C103	4030017620	S.CER ECJ0EC1H100C	T	10.8/1.1
C104	4030017460	S.CER ECJ0EB1E102K	T	14/6.5
C105	4030017460	S.CER ECJ0EB1E102K	T	17.8/4.4
C106	4030017460	S.CER ECJ0EB1E102K	T	19.8/4.5
C107	4030017460	S.CER ECJ0EB1E102K	T	7.2/4.7
C108	4030017460	S.CER ECJ0EB1E102K	T	8.1/4.7
C109	4030017390	S.CER ECJ0EC1H180J	T	10.5/2.5
C110	4030017380	S.CER ECJ0EC1H050B	T	10.2/4.7
C111	4030017350	S.CER ECJ0EC1H020B	T	10.7/6.8
C112	4030017530	S.CER ECJ0EC1H0R5B	T	12.5/1.1
C114	4030017460	S.CER ECJ0EB1E102K	T	18/8.6
C115	4030016930	S.CER ECJ0EB1A104K	T	18.9/8.6
C116	4030017460	S.CER ECJ0EB1E102K	T	19.8/7.7
C117	4030018860	S.CER ECJ0EB0J105K	T	19.8/15
C118	4030017640	S.CER ECJ0EC1H150J	T	10.2/3.8
C200	4030017460	S.CER ECJ0EB1E102K	T	8.4/12.9
C201	4030017460	S.CER ECJ0EB1E102K	T	9.1/8.2
C202	4030017460	S.CER ECJ0EB1E102K	T	2.4/5.6
C203	4030017460	S.CER ECJ0EB1E102K	T	2.3/4.4
C204	4030017460	S.CER ECJ0EB1E102K	T	5.3/5.5
C205	4030017460	S.CER ECJ0EB1E102K	T	3.2/1.5
C206	4030017460	S.CER ECJ0EB1E102K	T	5.6/12.9
C207	4030017380	S.CER ECJ0EC1H050B	T	7.2/10.5
C208	4030017460	S.CER ECJ0EB1E102K	T	3.1/11.9
C209	4030017380	S.CER ECJ0EC1H050B	T	3.3/8.3
C210	4030017380	S.CER ECJ0EC1H050B	T	2.4/8.3
C211	4030017360	S.CER ECJ0EC1H030B	T	2.7/10.1
C213	4030017590	S.CER ECJ0EC1H070C	T	5.5/2.7
J1	6510025380	S.CNR AXK716147G	B	4.8/10

M.=Mounted side (T: Mounted on the Top side, B: Mounted on the Bottom side) S.=Surface mount

SECTION 7

MECHANICAL PARTS

[CHASSIS PARTS]

REF NO.	ORDER NO.	DESCRIPTION	QTY.
J1	6910017840	2905 ANT CONNECTOR	1
S702	2250000630	TP70D974E20-21F-3066	1
W1	8900016810	OPC-1792 (Incl. W2)	1
W2	8900016791	OPC-1763A	1
MP1	8210024420	3066 REAR PANEL	1
MP2	8210024300	3066 PTT PANEL	1
MP3	8310070540	3066 LOCK PLATE	1
MP4	8310070550	3066 T-HOLDER	1
MP5	8930073710	3066 MIC CAP	1
MP6	8930073700	3066 DC CAP	1
MP7	8930073730	3066 MAIN SEAL	1
MP8	8930073720	3066 PTT RUBBER	1
MP9	8930073740	3066 T-RUBBER	1
MP10	8930073880	3066 BP SHEET	1
MP11	8930073870	3066 SHEET	1
MP12	8930073750	3066 SHAFT	1
MP13	8610012870	KNOB N-342 (Incl. MP21)	1
MP14	8610012890	KNOB N-342 COVER	1
MP15	8610013520	KNOB N-364	1
MP16	8930073850	O-RING (BP)	1
MP17	8850002830	PLAIN WASHER (AO)	1
MP18	8930053590	O-RING (AG)	1
MP19	8830001160	VR NUT (K)	1
MP20	8830001470	VR NUT (N)	1
MP21	8610007510	KNOB SPRING NO.7800	1
MP22	8930059830	2600 SHEET	1
MP23	8850002770	PLAIN WASHER (AM)	7
MP24	8810009511	SCREW BT B0 2X4 NI-ZC3 (BT)	10
MP25	8810009181	0-TAP FLAT WASHER B0 2X5 NI-ZC3 (BT)	2
MP26	8810010450	0-TAP SCREW PH M2X3 SUS SSBC	2
MP27	8810009161	SCREW BT B0 2X20 SUS SSBC	2
MP28	8810010750	SCREW BTB0 2X6SUS SSBC (BT)	4
MP29	8810010191	SCREW BIH M2X4 SUS SSBC	1
MP30	8810010630	0-TAP SCREW 3 PH M2X3 SUS SSBC	1
MP31	8950007300	3066 CONTACT SPRING	1
MP32	8930057022	THERMALLY SHEET (AE)-2	2
MP34	8930074690	3066 T-SHEET	1
MP35	8510018710	3066 MIC SHIELD	1
MP36	8930070590	SHIELD TAPE (S)	1
MP37	8930074980	SHIELD SPONGE (CF)	1
MP38	8510018950	3066 SHIELD PLATE	1

[LOGIC UNIT]

REF NO.	ORDER NO.	DESCRIPTION	QTY.
DS1	5030002880	HLM7972-010100	1
MC300	7700002850	EM6022P-65B-G	1
SP1	2510001420	PSC-2849PA	1
W1	7120000470	ERDS2T0	1
W2	8900007682	OPC-741A-1	1
MP1	8210024350	3066 FRONT PANEL ASSY (Incl. MP8)	1
MP2	8310070860	3066 WINDOW PLATE (B)	1
MP3	8930073580	3066 LED LENS	1
MP4	8930073640	3066 KEY	1
MP5	8930073860	3066 WINDOW SHEET	1
MP6	8210022450	2888 REFLECTOR	1
MP7	8930074790	3066 LCD SPONGE	1
MP8	8930018220	870 SARAN NET	1
MP9	8930048840	2135 MIC SPONGE	1
MP10	8930061110	2681 MIC TAPE	1
MP11	8810009511	SCREW BT B0 2X4 NI-ZC3 (BT)	8
MP12	8930062970	DOUBLE SIDE TAPE (AN)	1
MP13	8930074970	3066 WHITE SHEET	1
MP24	8510017840	OG-321610G	1
MP500	8510017840	OG-321610G	1
MP501	8510017840	OG-321610G	1
MP510	8510017840	OG-321610G	1
MP511	8930074500	3066 A-SPRING	1
MP512	8930074510	3066 B-SPRING	1

*: Refer to SECTION 9 "BOARD LAYOUTS."

[MAIN UNIT]

REF NO.	ORDER NO.	DESCRIPTION	QTY.
J702	6510024131	IMSA-9637S-40Y905	1
J703	6510022880	AXK5S30340P	1
S700	2260002840	SKHLLFA010	1
S701	2260002840	SKHLLFA010	1
MP300	8510016470	2775 VCO CASE	1
MP301	8510016460	2775 VCO COVER	1
MP302	8510017840	OG-321610G	1

[RF UNIT]

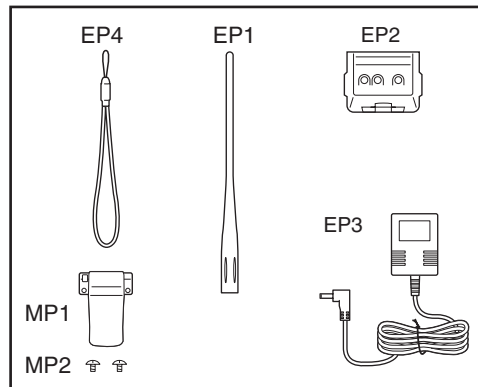
REF NO.	ORDER NO.	DESCRIPTION	QTY.
J800	6510025370	AXK816145YG	1
J1000	6450000870	HEC2711-01-020	1
J1001	6510024410	AXK6S30545	1
MP100	8410002610	2888 PA HEATSINK	1
MP101	6910014760	OG-503040	1

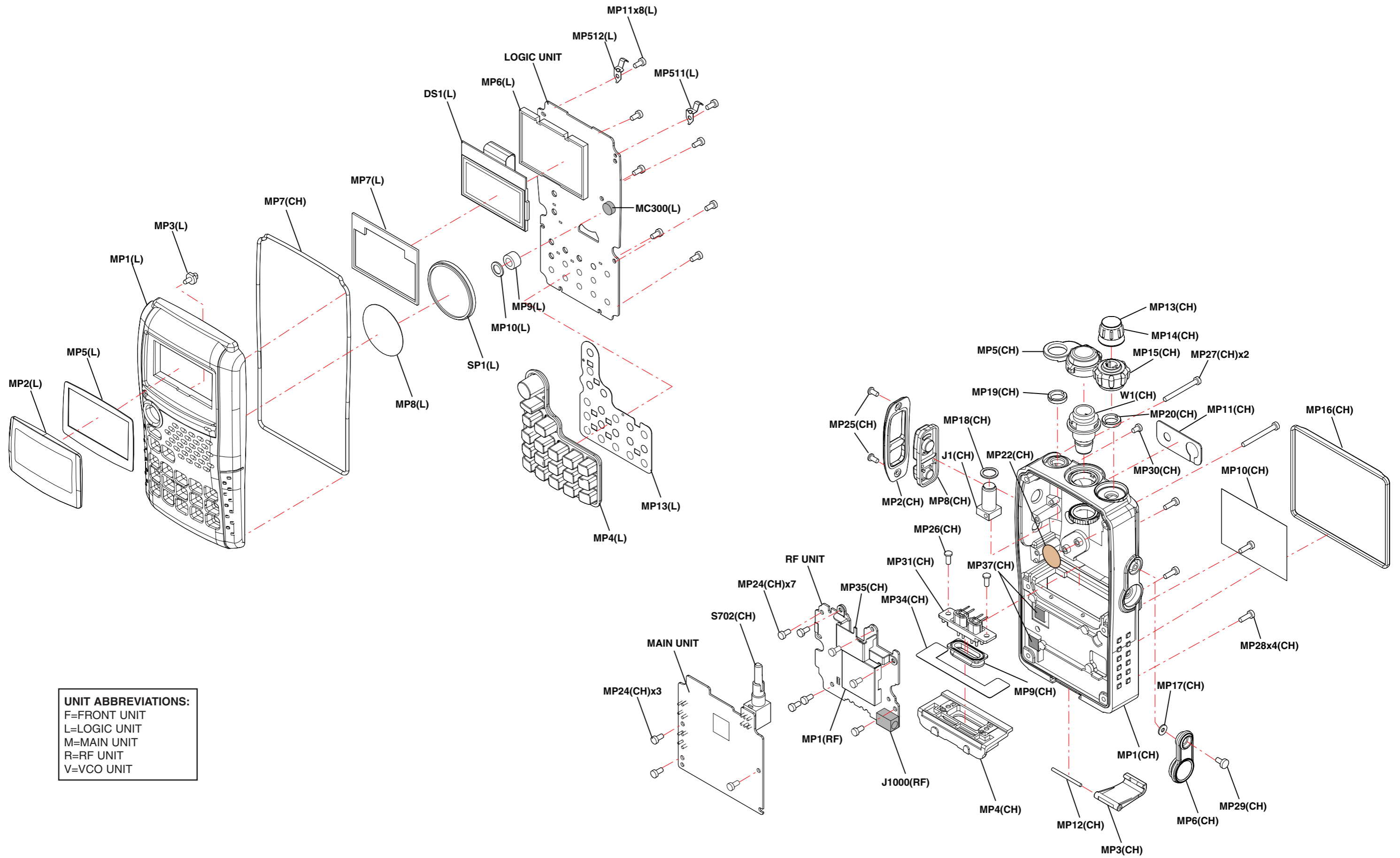
[VCO UNIT]

REF NO.	ORDER NO.	DESCRIPTION	QTY.
J1	6510025380	AXK716147G	1
MP1	8510017470	2888 VCO CASE	1

[ACCESSORIES]

REF NO.	ORDER NO.	DESCRIPTION	QTY.
EP1	3310002150	FA-S270C	1
EP2	(Optional)	BP-256	1
EP3	(Optional)	BC-167D	1
EP4	6910018620	BLACK HANDY STRAP	1
MP1	(Optional)	MB-111 (Incl. MP2)	1
MP2	8810010470	SCREW truss M3X4 SUS SSBC	2

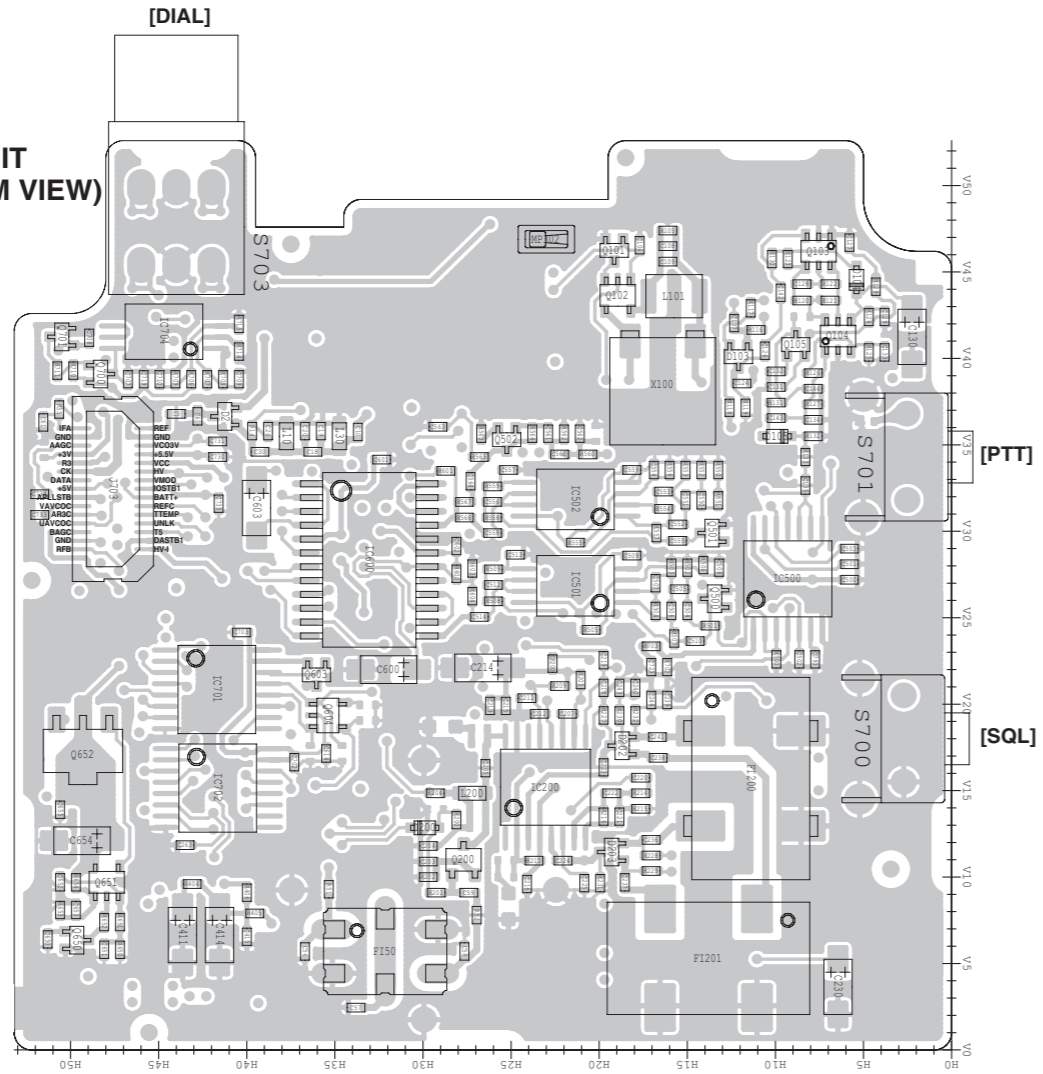




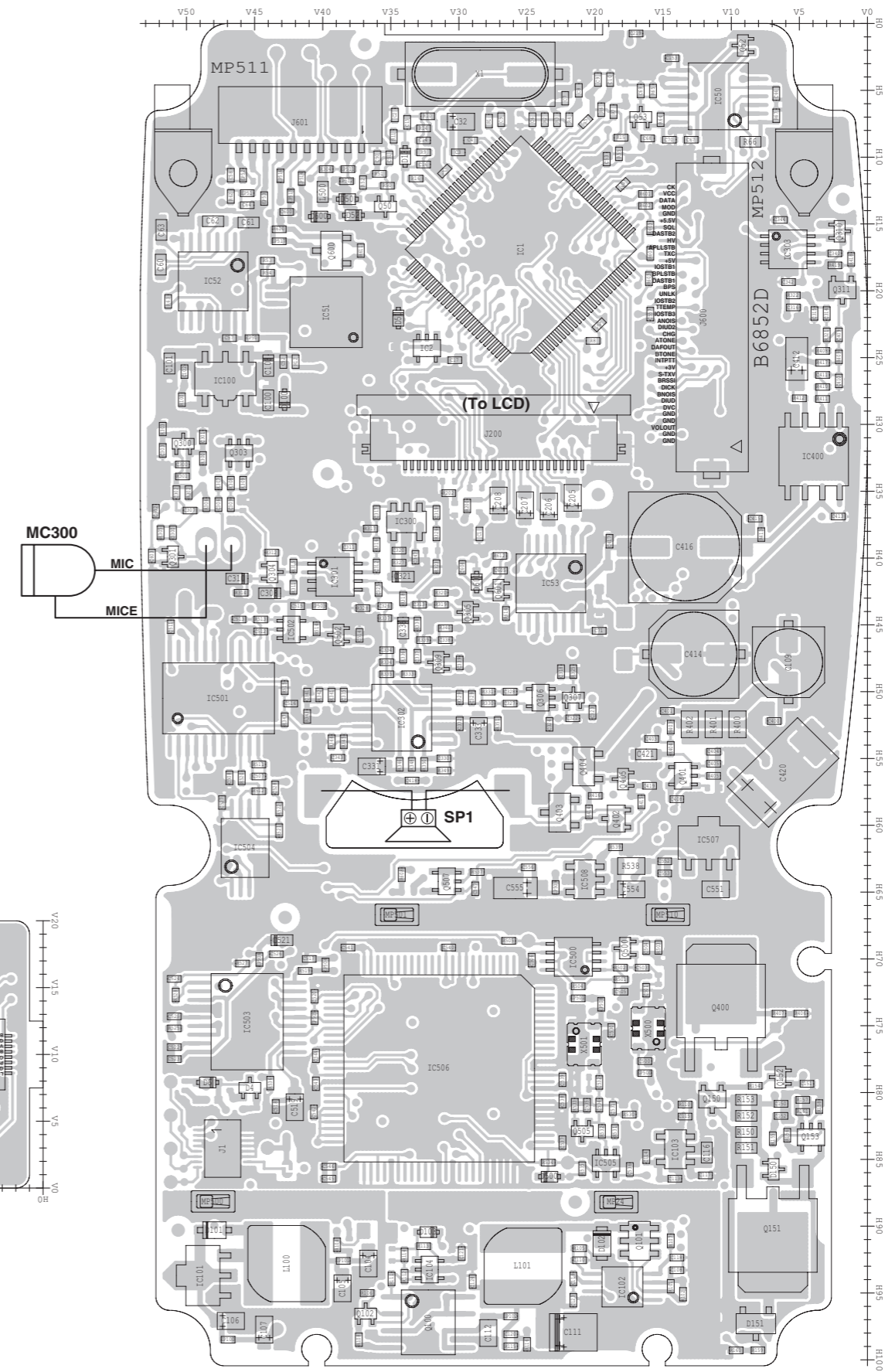
UNIT ABBREVIATIONS:
 F=FRONT UNIT
 L=LOGIC UNIT
 M=MAIN UNIT
 R=RF UNIT
 V=VCO UNIT

The combination of this side and the bottom side shows the board layout in the same configuration as the actual P.C.Board.

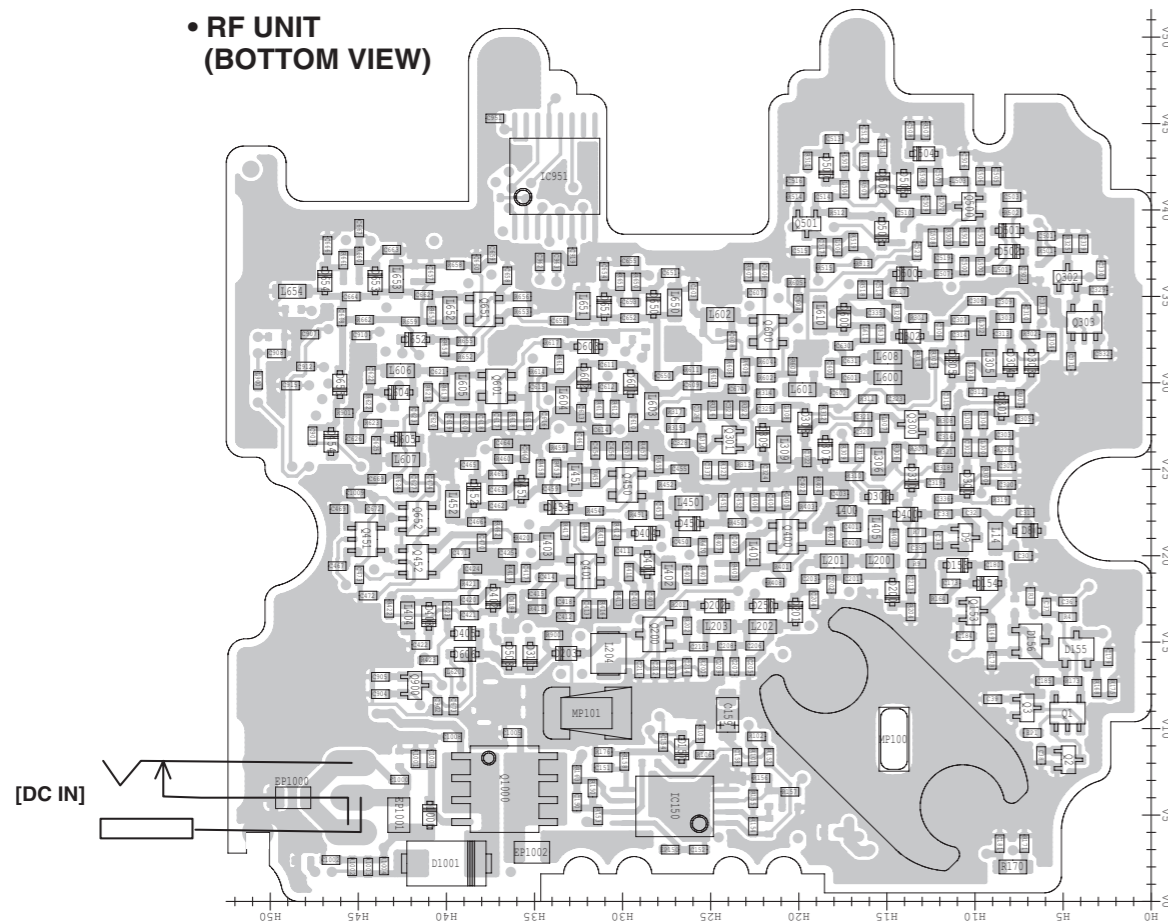
• MAIN UNIT (BOTTOM VIEW)



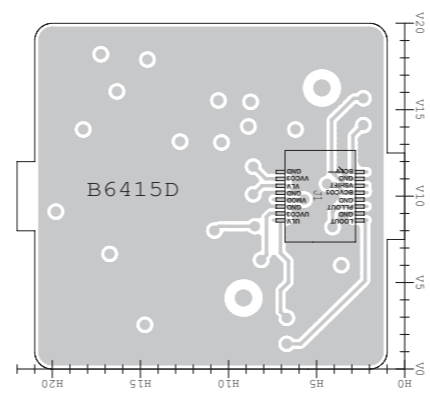
• LOGIC UNIT (BOTTOM VIEW)



• RF UNIT (BOTTOM VIEW)

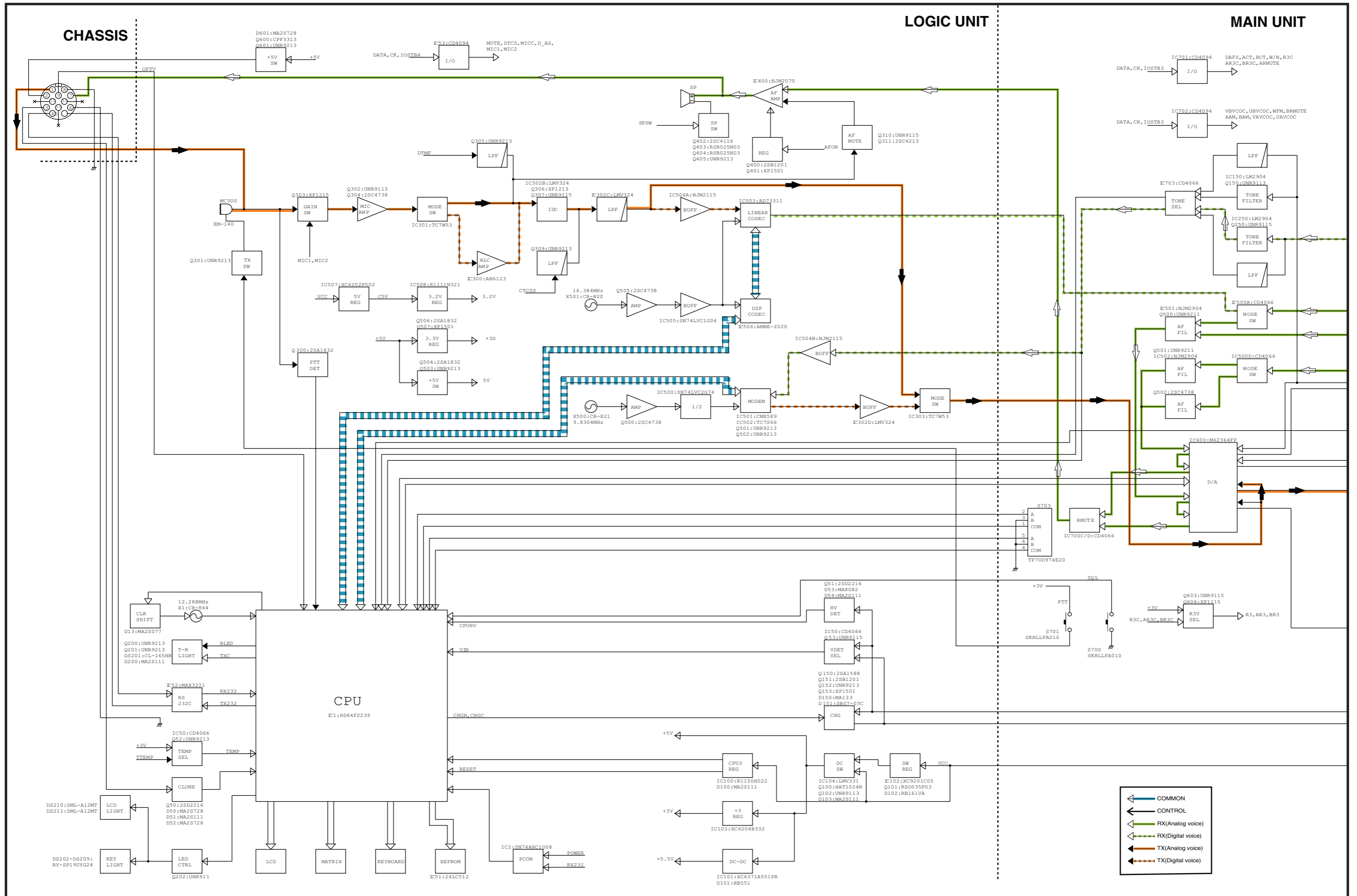


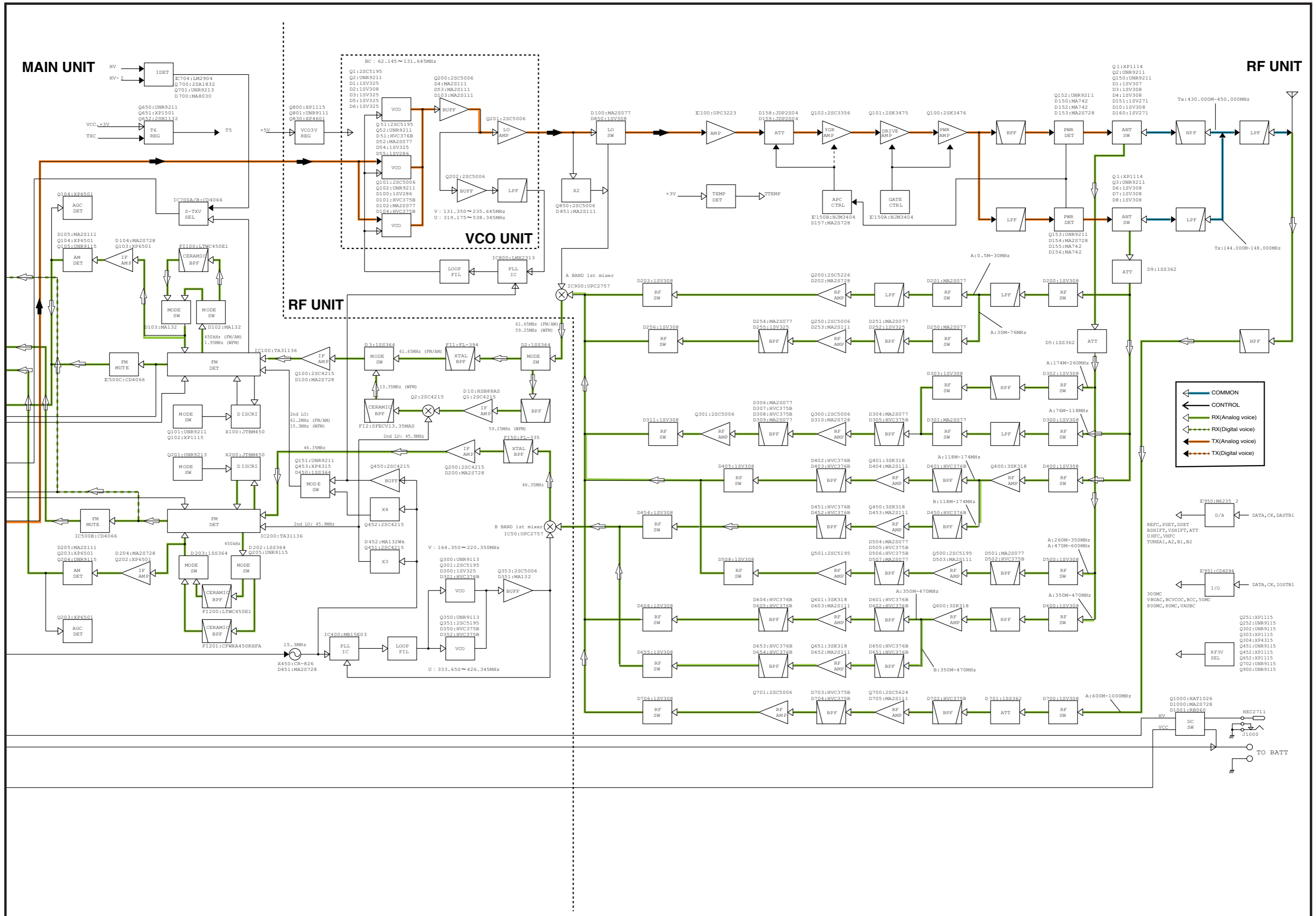
• VCO UNIT (BOTTOM VIEW)



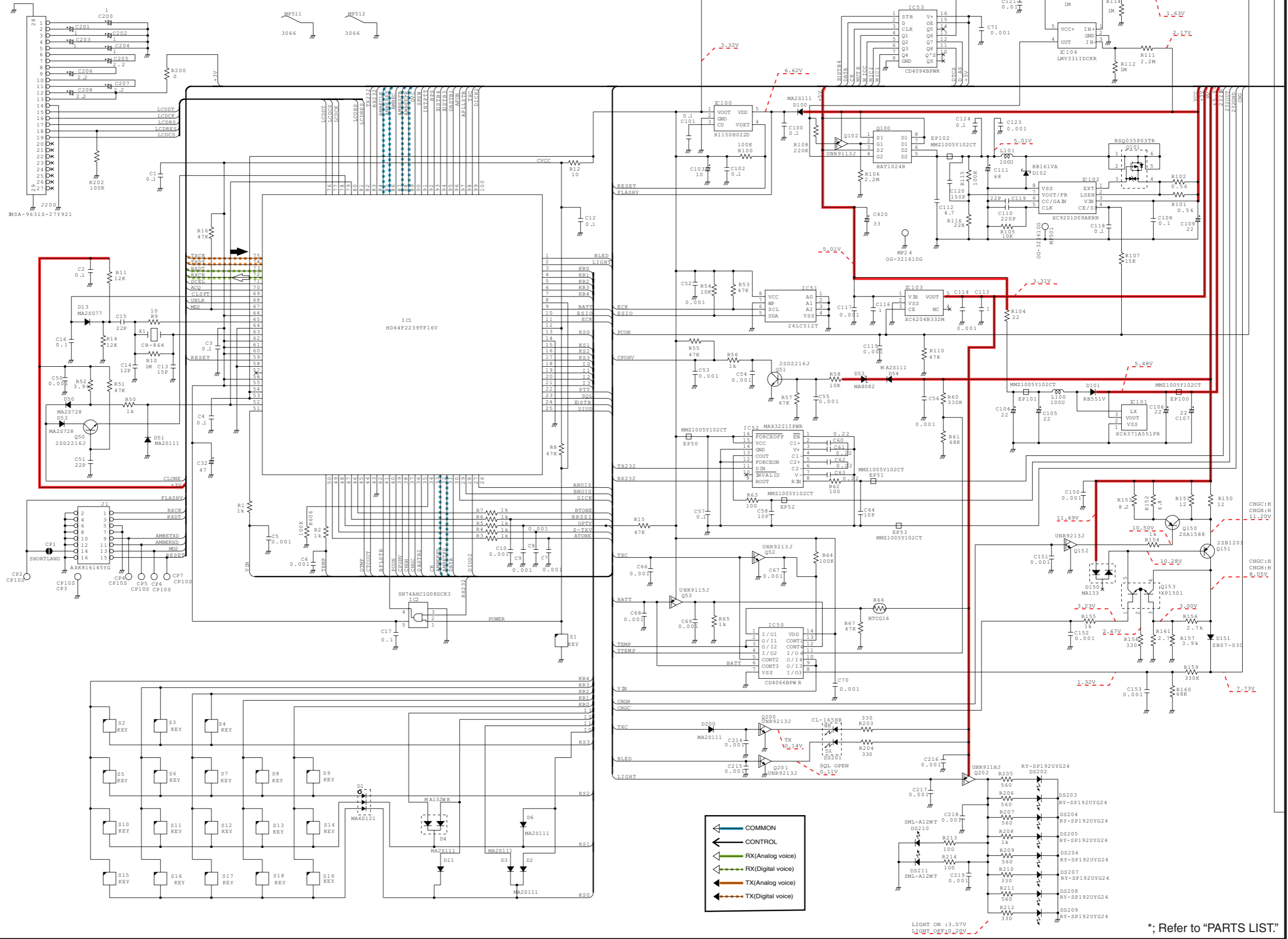
SECTION 9

BLOCK DIAGRAM





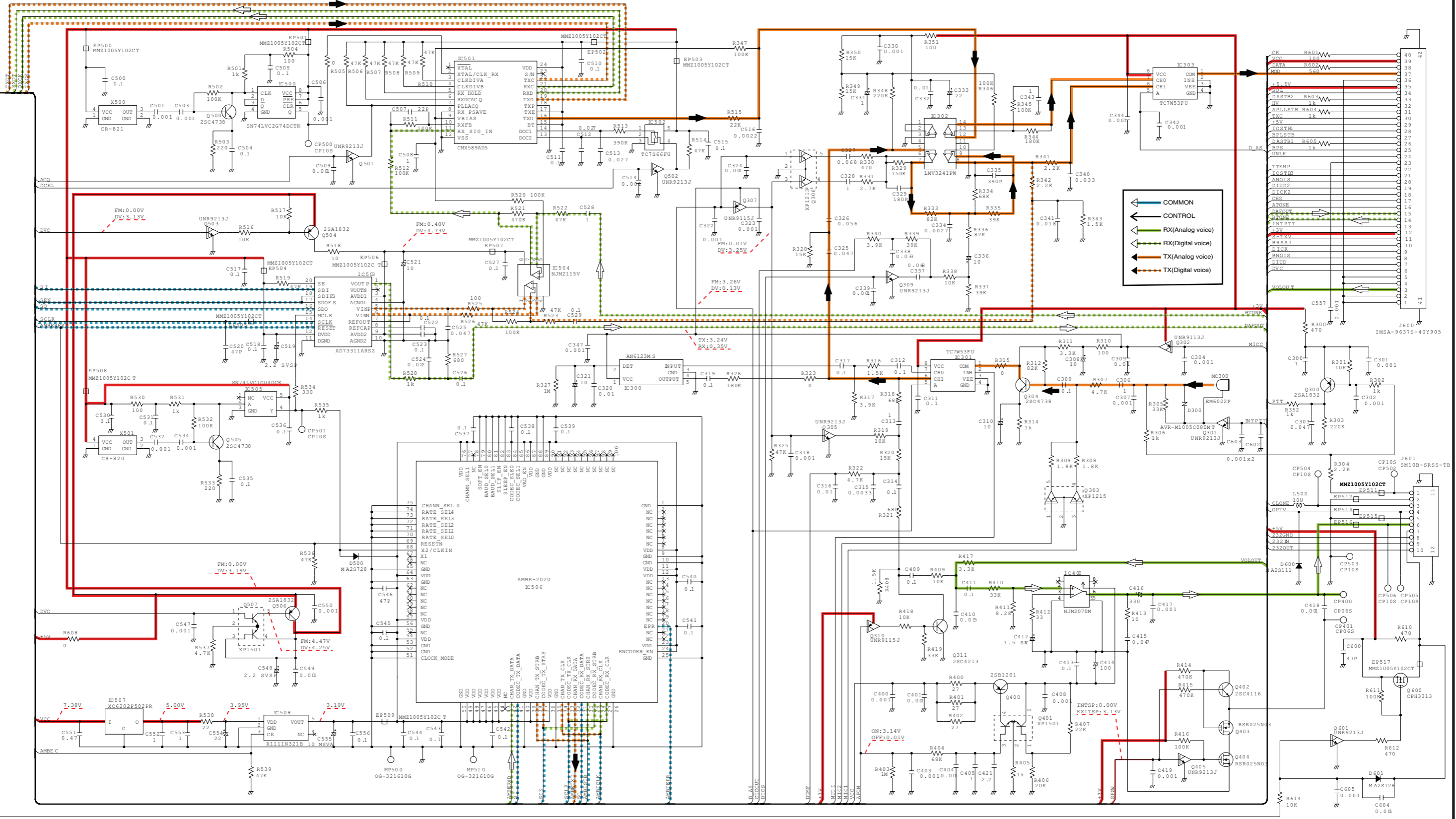
LOGIC UNIT



- ← COMMON
- ← CONTROL
- ← RX(Analog voice)
- ← RX(Digital voice)
- ← TX(Analog voice)
- ← TX(Digital voice)

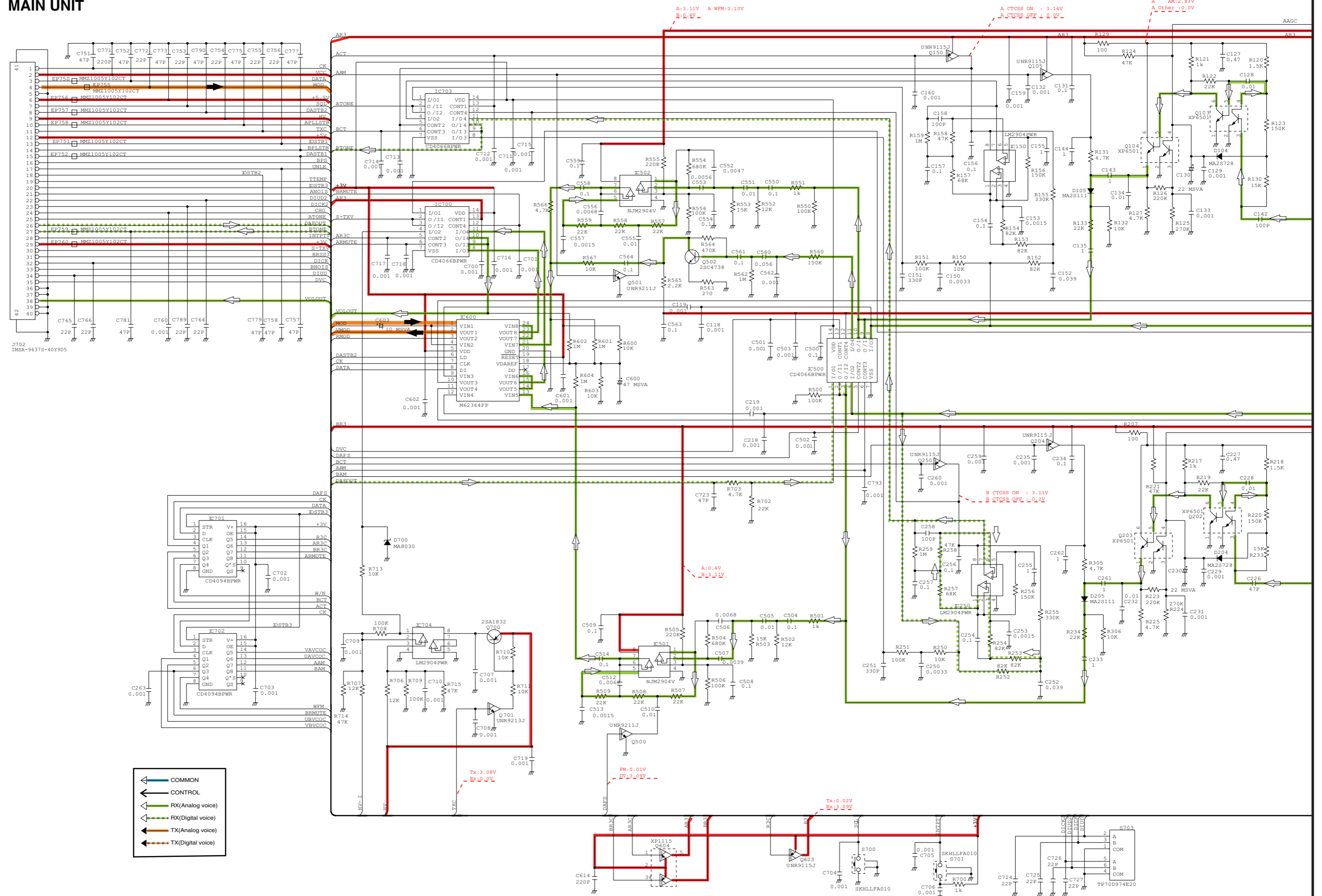
LIGHT ON : 3.07V
 LIGHT OFF : 0.20V
 *; Refer to "PARTS LIST."

LOGIC UNIT



*; Refer to "PARTS LIST"

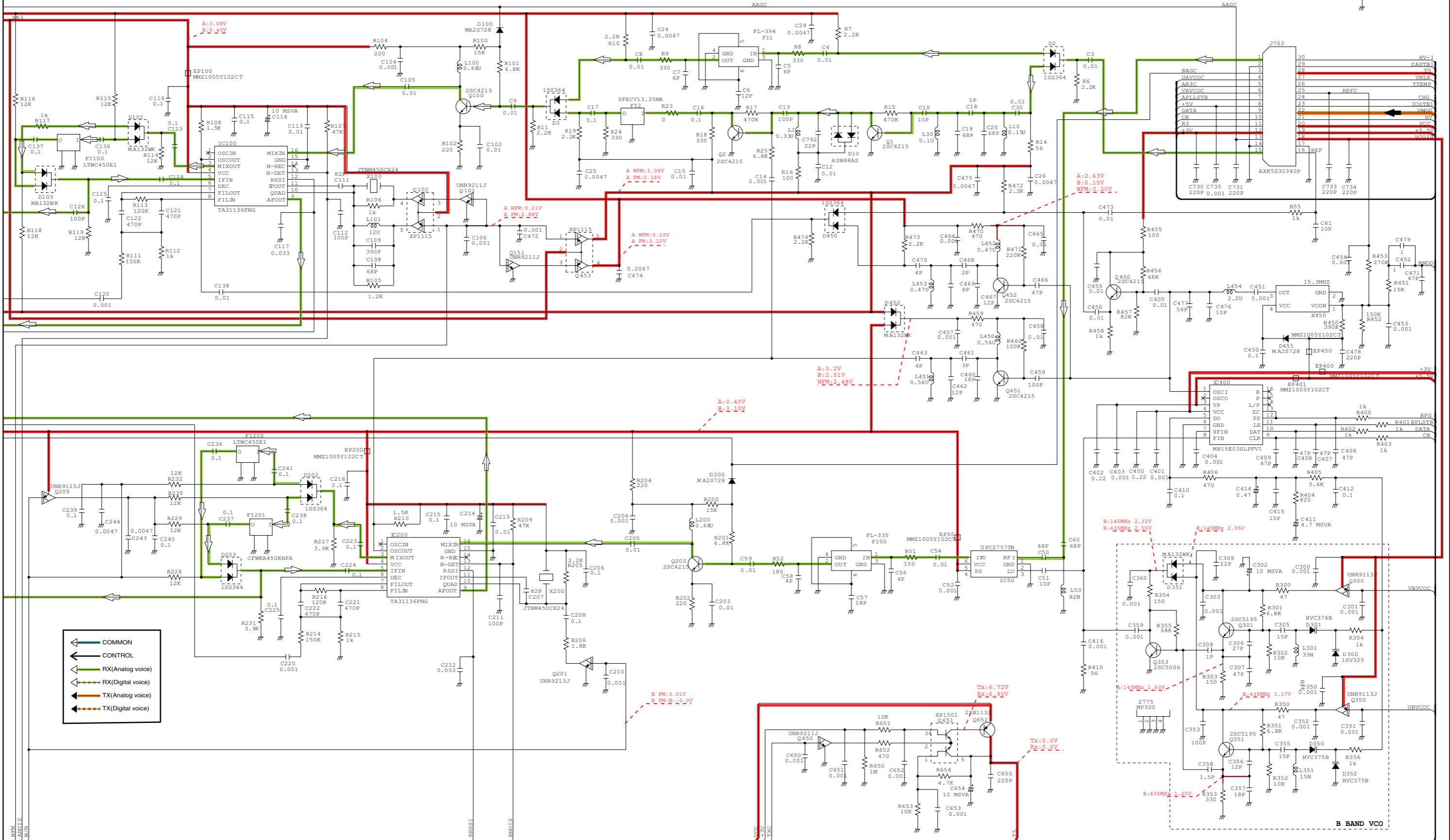
MAIN UNIT



*; Refer to "PARTS LIST."

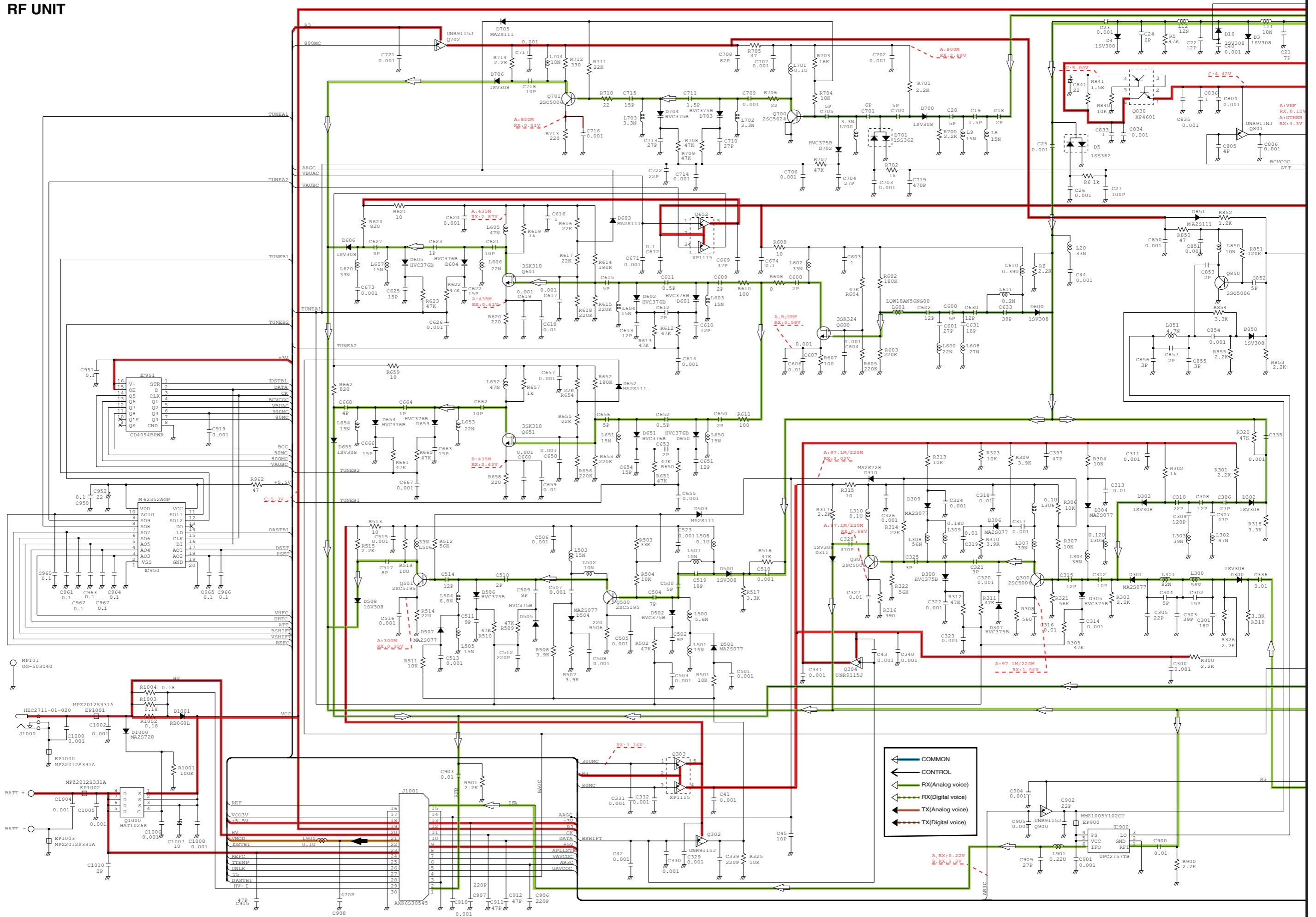
MAIN UNIT

MP302
OG-321610G

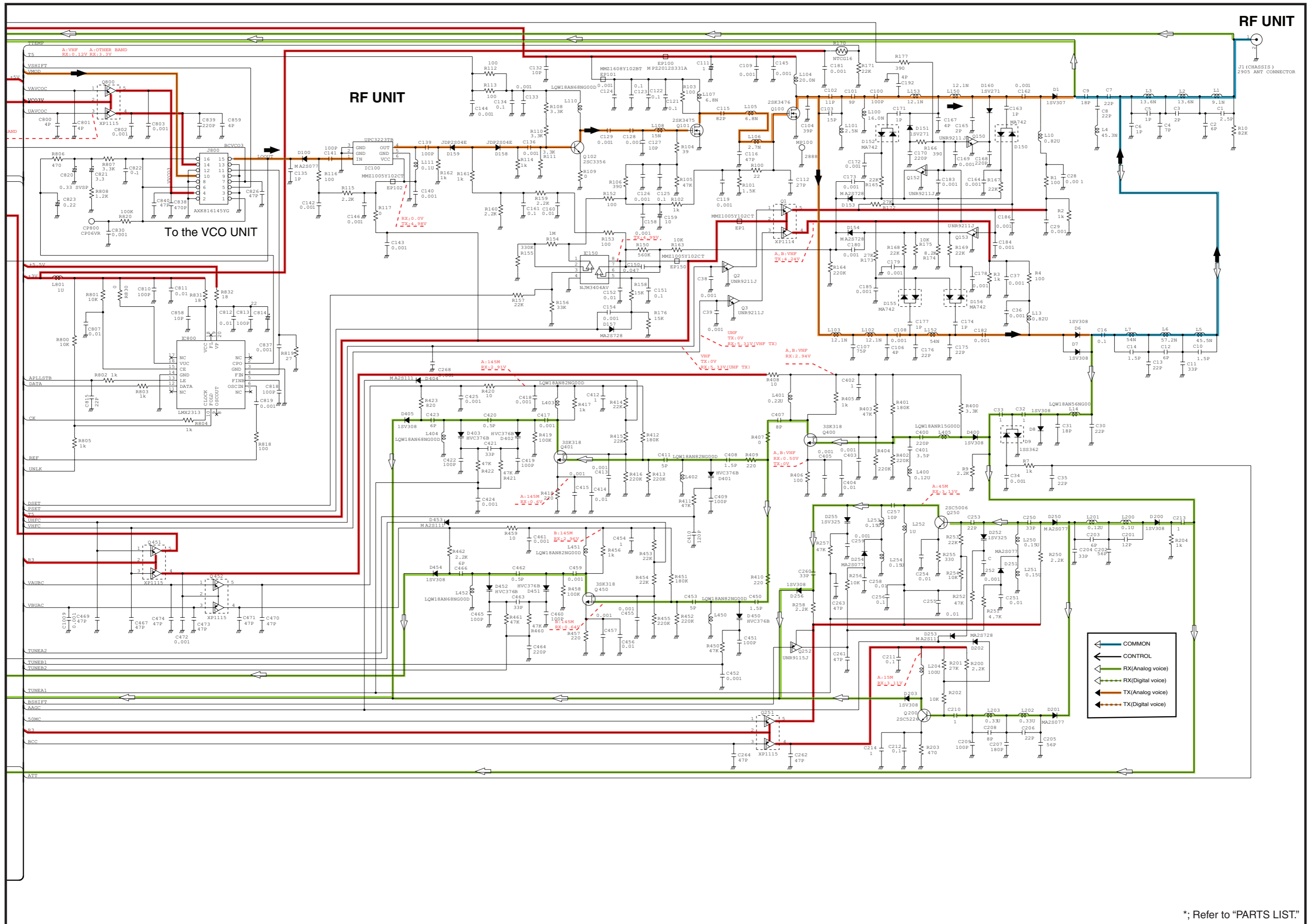


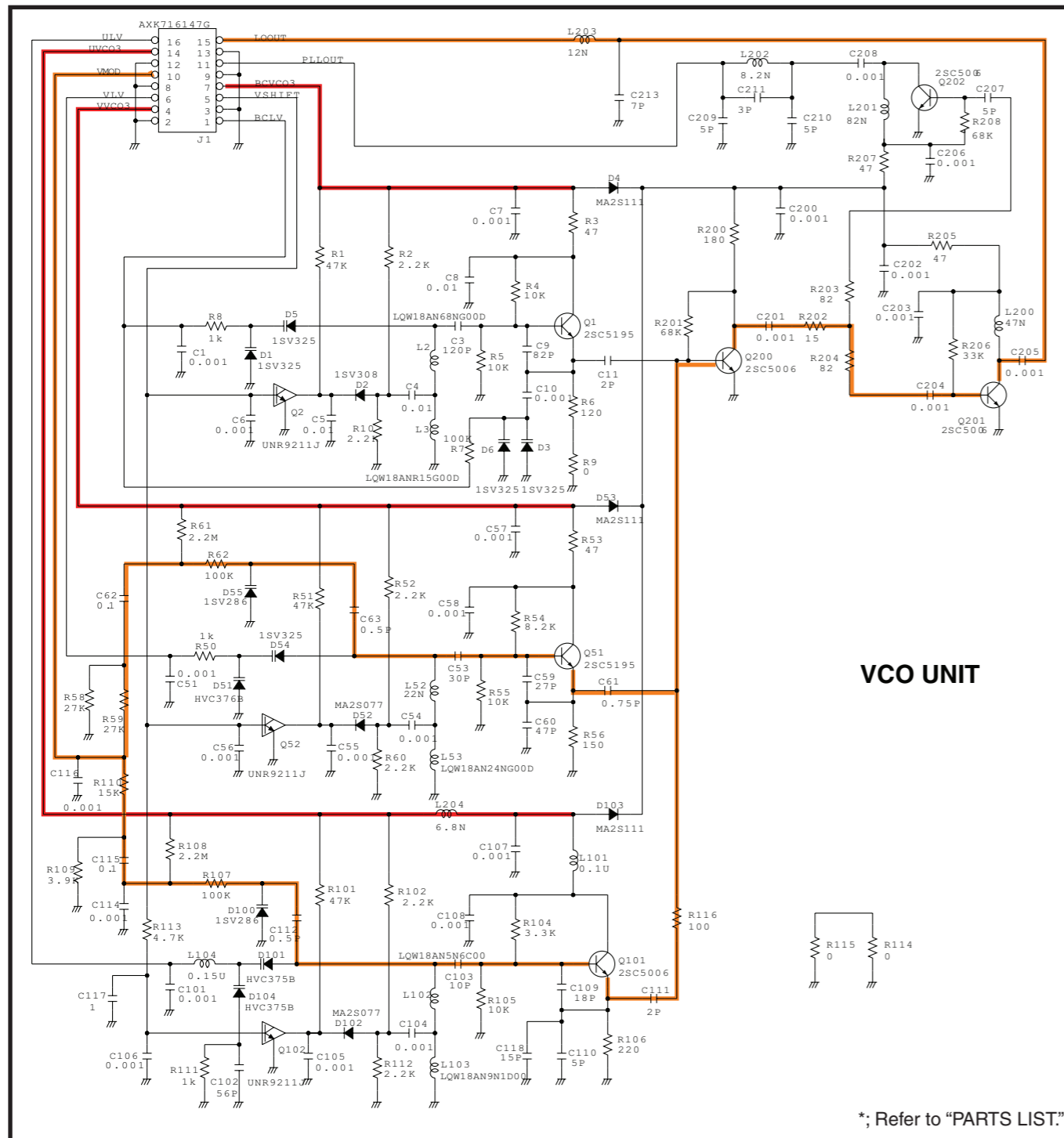
*; Refer to "PARTS LIST"

RF UNIT



*; Refer to "PARTS LIST"





Icom Inc.

1-1-32, Kamiminami, Hirano-ku, Osaka 547-0003, Japan
Phone : +81 (06) 6793 5302
Fax : +81 (06) 6793 0013
URL : <http://www.icom.co.jp/world/index.html>

Icom America Inc.

<Corporate Headquarters>
2380 116th Avenue N.E., Bellevue, WA 98004, U.S.A.
Phone : +1 (425) 454-8155 Fax : +1 (425) 454-1509
URL : <http://www.icomamerica.com>
E-mail : sales@icomamerica.com
<Customer Service>
Phone : +1 (425) 454-7619

Icom Canada

Glenwood Centre #150-6165
Highway 17 Delta, B.C., V4K 5B8, Canada
Phone : +1 (604) 952-4266 Fax : +1 (604) 952-0090
URL : <http://www.icomcanada.com>
E-mail : info@icomcanada.com

Icom (Australia) Pty. Ltd.

Unit 1 / 103 Garden Road, Clayton VIC 3168 Australia
Phone : +61 (03) 9549-7500 Fax : +61 (03) 9549-7505
URL : <http://www.icom.net.au>
E-mail : sales@icom.net.au

Icom New Zealand

146A Harris Road, East Tamaki,
Auckland, New Zealand
Phone : +64 (09) 274 4062 Fax : +64 (09) 274 4708
URL : <http://www.icom.co.nz>
E-mail : inquiries@icom.co.nz

Beijing Icom Ltd.

10C07, Long silver Mansion, No.88, Yong Ding
Road, Haidian District, Beijing, 100039, China
Phone : +86 (010) 5889 5391/5392/5393
Fax : +86 (010) 5889 5395
E-mail : bjicom@bjicom.com
URL : <http://www.bjicom.com>

Icom (Europe) GmbH

Communication Equipment
Himmelgeister Str. 100, D-40225 Düsseldorf, Germany
Phone : +49 (0211) 346047 Fax : +49 (0211) 333639
URL : <http://www.icomeurope.com>
E-mail : info@icomeurope.com

Icom Spain S.L

Ctra. Rubi, 88, 08190, Sant Cugat del Valles, Barcelona, SPAIN
Phone : +34 (93) 590 26 70 Fax : +34 (93) 589 04 46
URL : <http://www.icomspain.com>
E-mail : icom@icomspain.com

Icom (UK) Ltd.

Unit 9, Sea St., Herne Bay, Kent, CT6 8LD, U.K.
Phone : +44 (01227) 741741 Fax : +44 (01227) 741742
URL : <http://www.icomuk.co.uk>
E-mail : info@icomuk.co.uk

Icom France s.a.s.

Zac de la Plaine
1 Rue Brindejonc des Moulinais BP 5804
31505 Toulouse Cedex, France
Phone : +33 (5) 61 36 03 03 Fax : +33 (5) 61 36 03 00
URL : <http://www.icom-france.com>
E-mail : icom@icom-france.com

Asia Icom Inc.

6F No.68, Sec. 1 Cheng-Teh Road, Taipei, Taiwan, R.O.C.
Phone : +886 (02) 2559 1899 Fax : +886 (02) 2559 1874
URL : <http://www.asia-icom.com>
E-mail : sales@asia-icom.com

Icom Polska

Sopot, 3 Maja 54 Poland
Phone : +48 (58) 550 7135 Fax : +48 (58) 551 0484
E-mail : icompolska@icompolska.com.pl

Count on us!

Icom Inc.

1-1-32, Kamiminami, Hirano-ku, Osaka 547-0003, Japan

S-14416XZ-C1
© 2008 Icom Inc.