



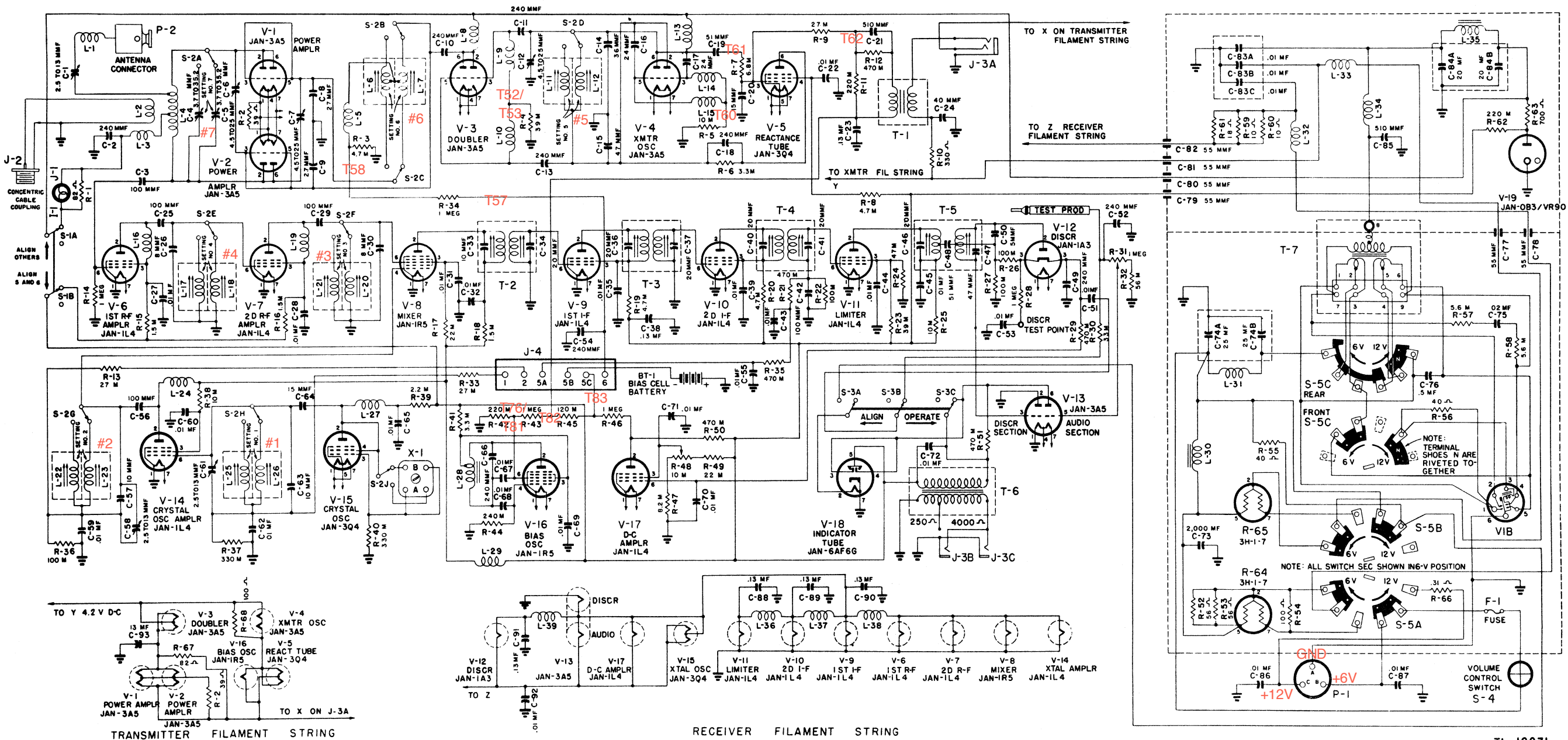
NOTE:  IS SYMBOL FOR FIXED CAPACITORS
 IS SYMBOL FOR VARIABLE CAPACITORS
 M = 1000 OHMS

Figure 61. Receiver-Transmitter BC-1335, complete schematic diagram.





NOTE:  IS SYMBOL FOR FIXED CAPACITORS
 IS SYMBOL FOR VARIABLE CAPACITORS
M = 1000 OHMS

Figure 61. Receiver-Transmitter BC-1335, complete schematic diagram.