

TYPE CBY-50083 MODULATOR UNIT WITH TYPE CBY-21626 TRANSMITTER DYNAMOTOR UNIT

NOTES:

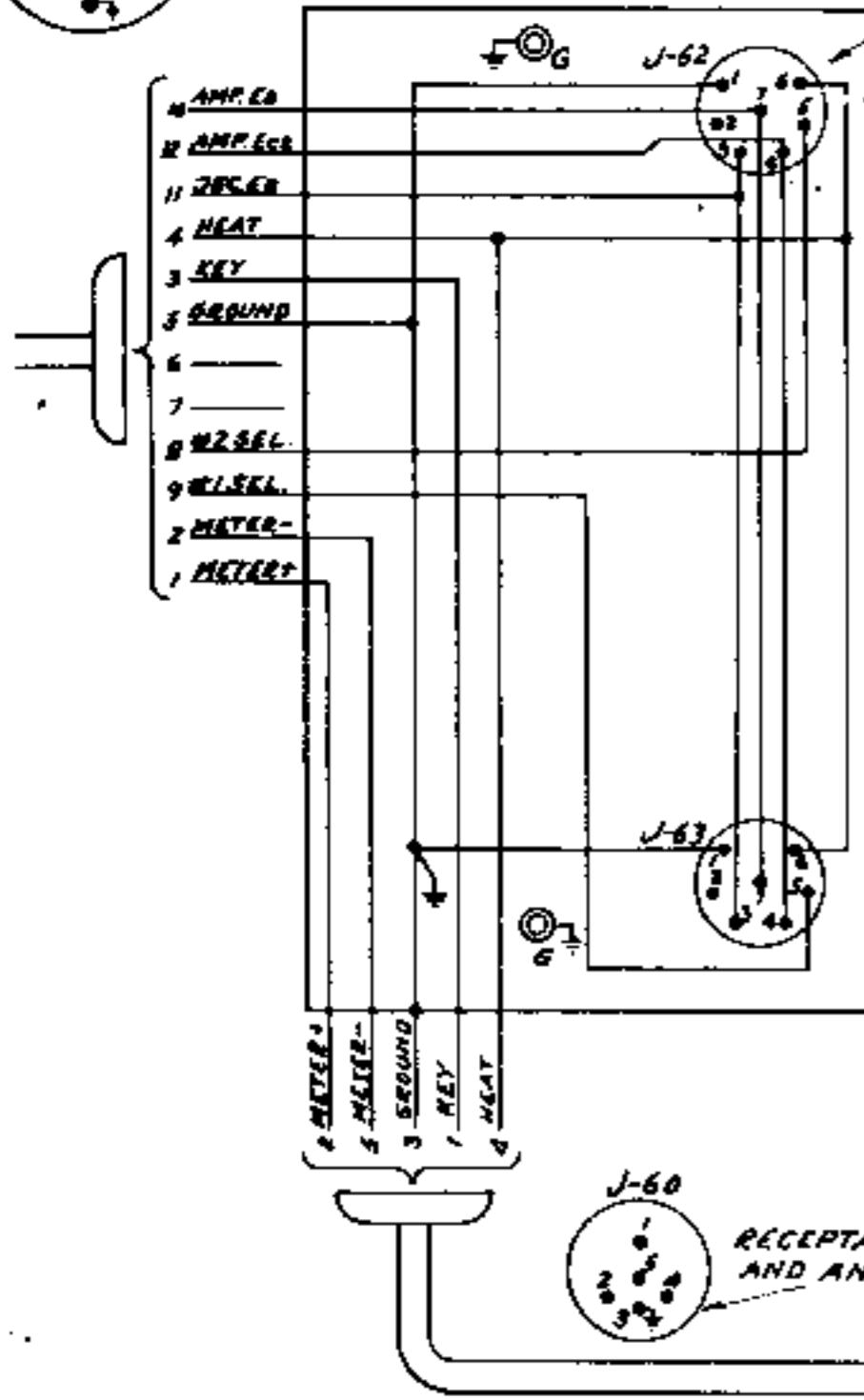
1. ALL RELAYS SHOWN IN NON-ENERGIZED POSITION.
2. ALL COUPLING PLUGS AND RECEPTACLES SHOWN AS VIEWED FROM THE OUTSIDE. ALL PLUGS AS VIEWED FROM THE CORDAGE END HAVE THE SAME ORIENTATION OF CONDUCTORS AS THAT SHOWN HERE FOR THEIR RESPECTIVE RECEPTACLES.

Downloaded by
RadioAmateur.EU

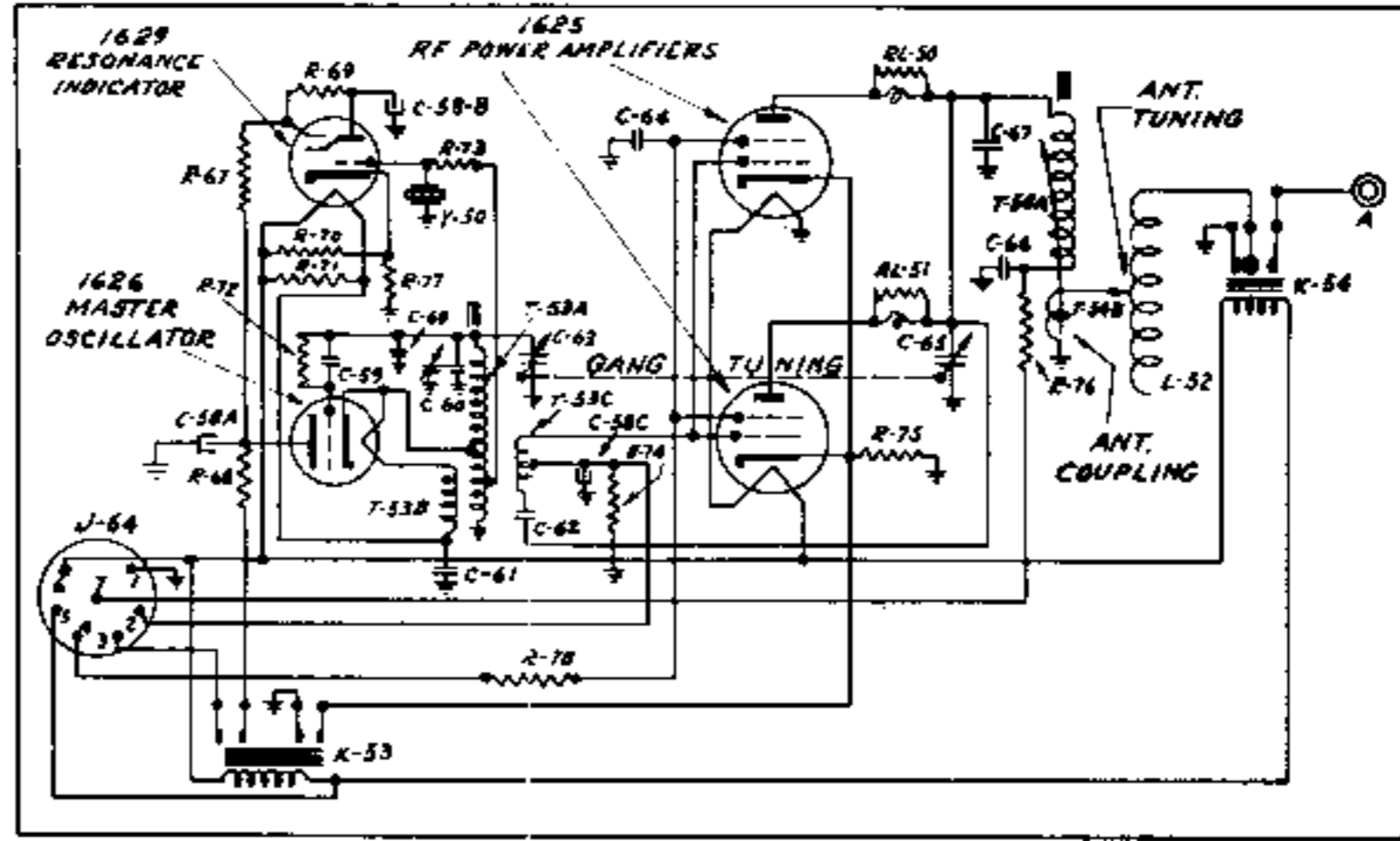


TYPE CBY-52212 TRANSMITTER RACK

THE SECOND TRANSMITTER
CONNECTS HERE.

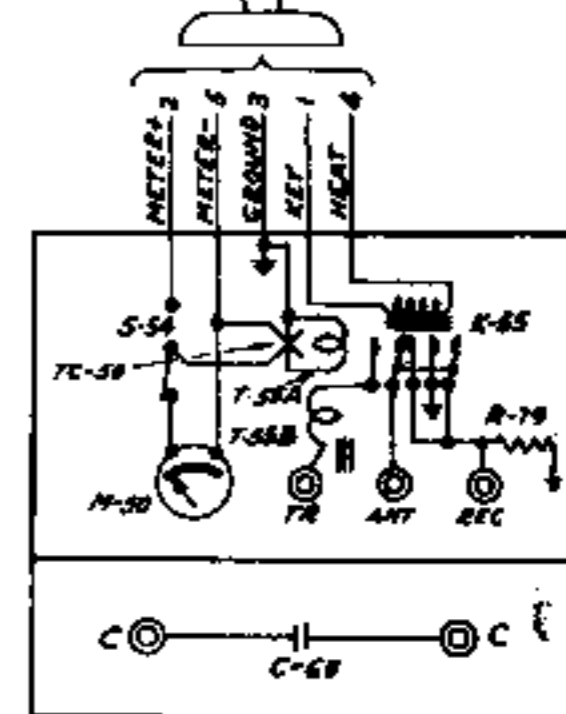


TYPICAL TRANSMITTER UNIT



RECEPTACLES IN TRANSMITTER RACK
AND ANTENNA RELAY UNIT

CABLE 5810



TYPE CBY-29125 ANTENNA RELAY UNIT

SWITCHES		TRANSFORMERS		MISCELLANEOUS	
SYMBOL	DESCRIPTION	SYMBOL	DESCRIPTION	SYMBOL	DESCRIPTION
S-50	SWITCH OF EMISSION	T-50	PHONE OSC.	TC-50	THERMOCOUPLE ANT. CURRENT INDICATOR (LOCAL)
S-51	MAIN ON-OFF BATTERY LINE	T-51	MICROPHONE MODULATION	M-50	M-50
S-52	TRANSMITTER SELECTION	T-52	MASTER OSC.	K-56	BUILT-IN KEY CRYSTAL UNIT
S-53	SHUNTS MIC. SERIES RESISTOR	T-53(A,B)	TRANS. OUTPUT	F-50	20 A FUSE
S-54	ANT. CURRENT-METER SWITCHING	T-53(A,B)	ANT. CURRENT	F-51	20 A FUSE