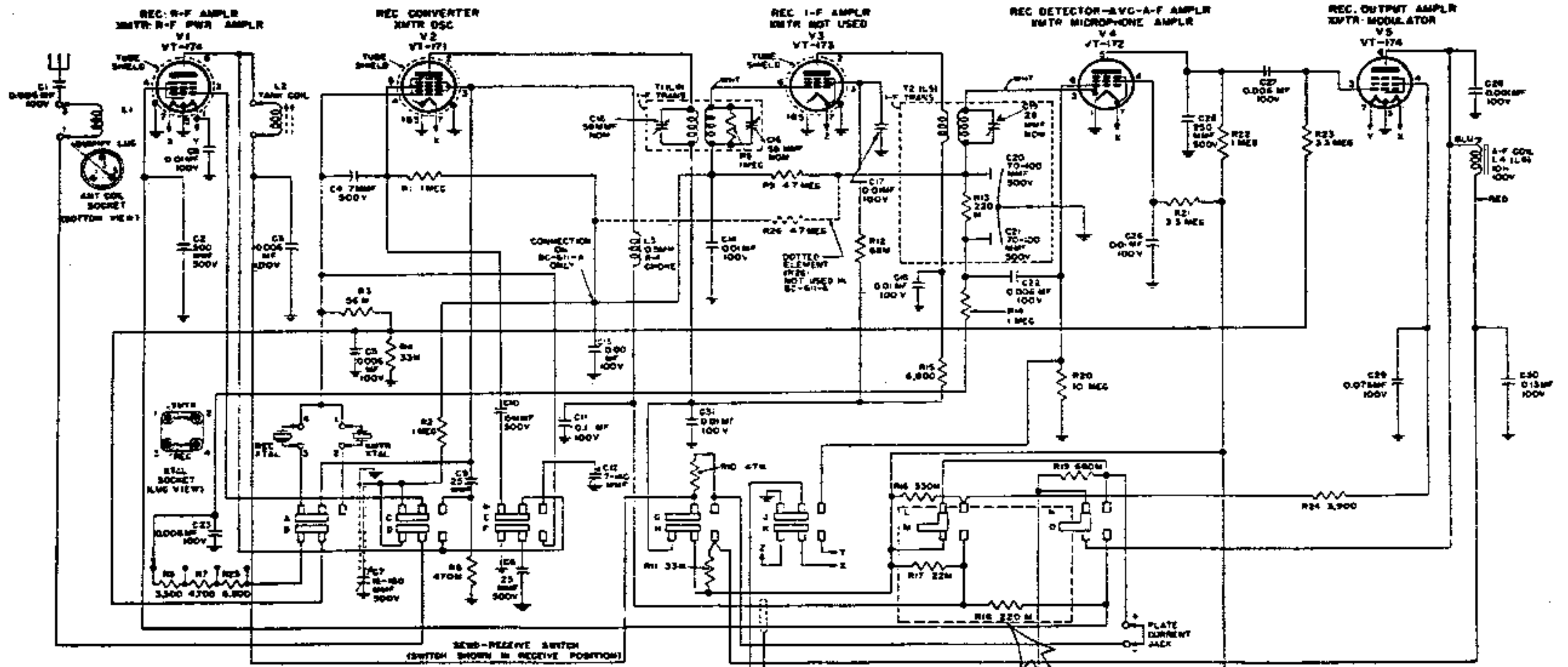


SCHEMATIC DIAGRAM RADIO RECEIVER & TRANSMITTER BC-611-A, B, C, D, & E



NOTE

- ⊏ IS SYMBOL FOR FIXED CAPACITOR
- ⊐ IS SYMBOL FOR VARIABLE CAPACITOR
- ⊐ = 1,000.0
- ALL RESISTORS ARE 1/4 WATT
- ALL CAPACITOR RATINGS ARE DC WORKING VOLTAGES
- SWITCH SECTIONS E AND F ARE TRANSPOSED ON SETS CARRIED C22
- REFERENCES IN PARENTHESES REFER TO BC-611-A AND BC-611-B

