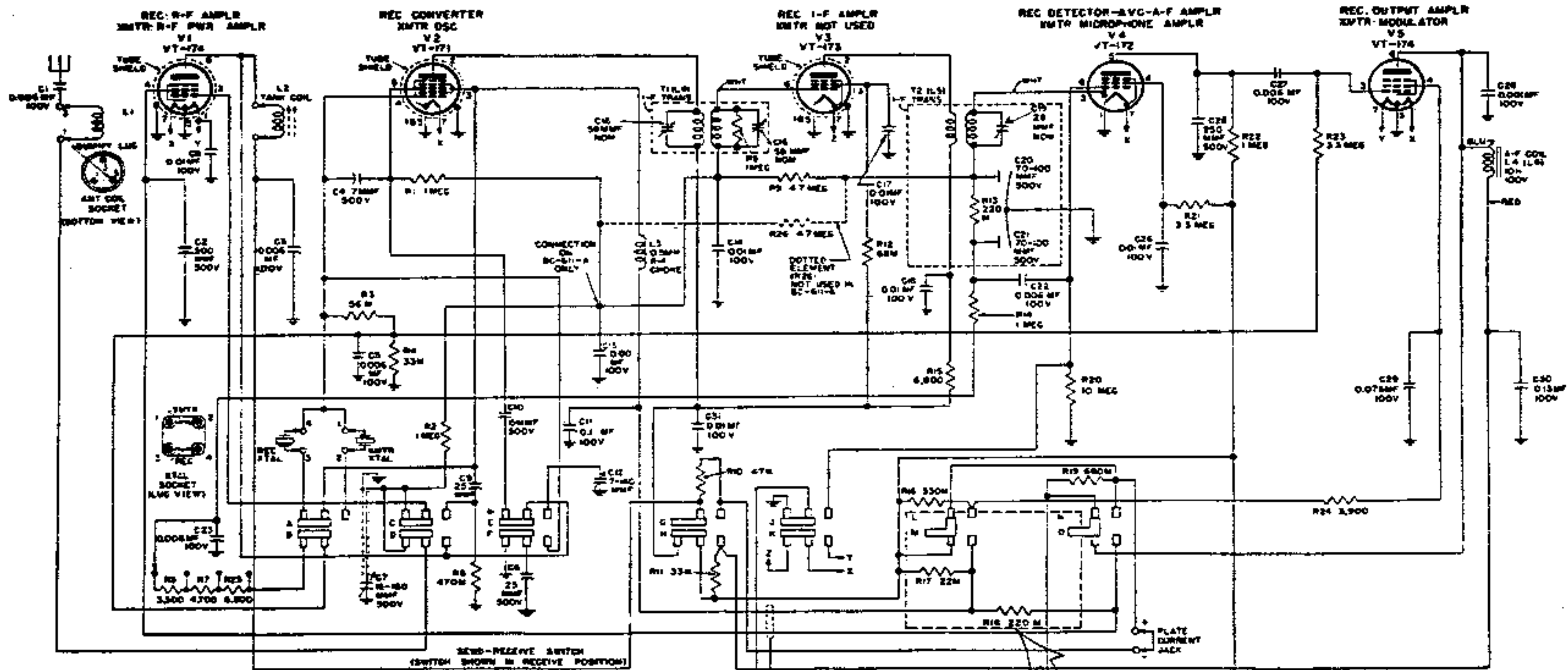


SCHEMATIC DIAGRAM RADIO RECEIVER & TRANSMITTER BC-611-A, B, C, D, & E



NOTE

- ⊃ IS SYMBOL FOR FIXED CAPACITOR
- ⊂ IS SYMBOL FOR VARIABLE CAPACITOR
- ⊂ = 1,000.0
- ALL RESISTORS ARE 1/4 WATT
- ALL CAPACITOR RATINGS ARE DC WORKING VOLTAGES
- SWITCH SECTIONS E AND F ARE TRANSPOSED ON SETS CODED C2E
- REFERENCES IN PARENTHESES REFER TO BC-611-A AND BC-611-B

