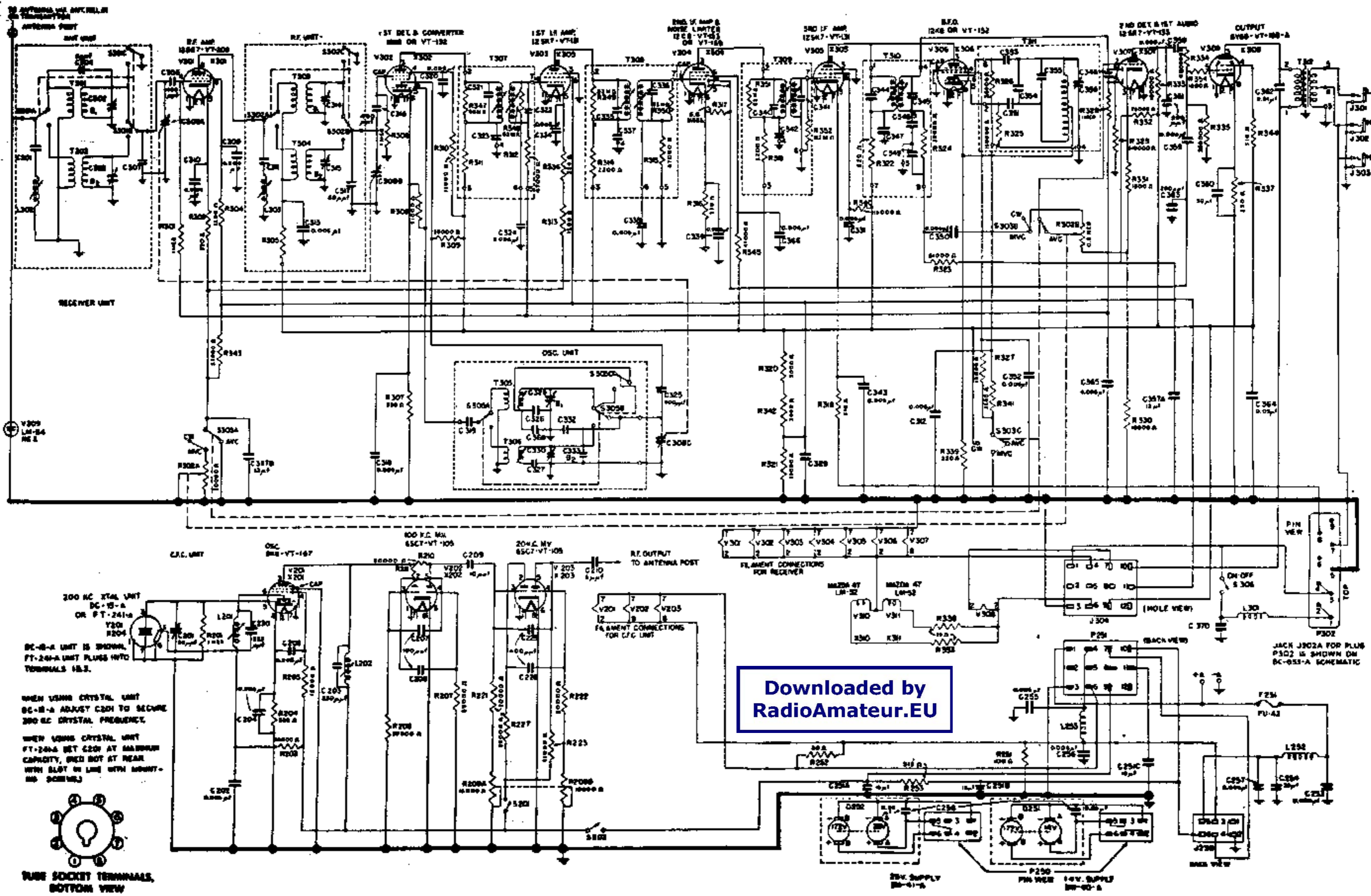


# SCHEMATIC



ANT UNIT

RECEIVER UNIT

V309  
LM-84  
HE 2

C.F.C. UNIT

OSC UNIT

OSC BR-VT-105

204C MY  
65C7-VT-105

100 K.C. MH  
65C7-VT-105

200 KC XTAL UNIT  
DC-10-A  
OR FT-241-A  
V201  
R204

DC-10-A UNIT IS SHOWN,  
FT-241-A UNIT PLUGS INTO  
TERMINALS 1&2.

WHEN USING CRYSTAL UNIT  
DC-10-A ADJUST C201 TO SECURE  
300 KC CRYSTAL FREQUENCY.

WHEN USING CRYSTAL UNIT  
FT-241-A SET C201 AT MAXIMUM  
CAPACITY, USED NOT AT NEAR  
WITH SLOT IN LINE WITH MOUNT-  
ING SCHEM.

TUBE SOCKET TERMINALS,  
BOTTOM VIEW

Downloaded by  
RadioAmateur.EU

JACK J302A FOR PLUS  
P302 IS SHOWN ON  
DC-653-A SCHEMATIC

250V SUPPLY  
P250

14V SUPPLY  
P14