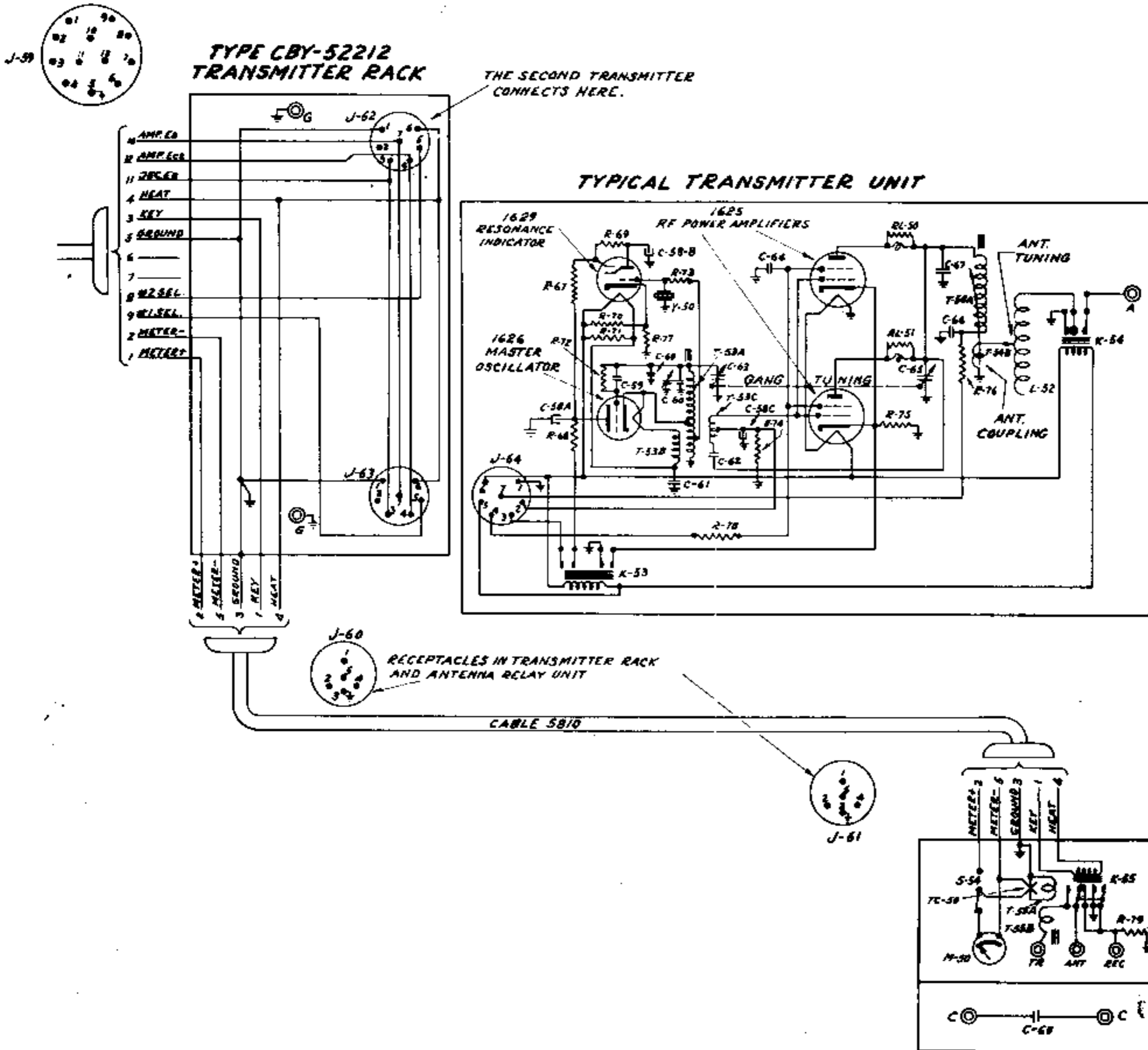


TYPE CBY-50083 MODULATOR UNIT WITH TYPE CBY-21626 TRANSMITTER DYNAMOTOR UNIT

NOTES:

1. ALL RELAYS SHOWN IN NON-ENERGIZED POSITION.
2. ALL COUPLING PLUGS AND RECEPTACLES SHOWN AS VIEWED FROM THE OUTSIDE. ALL PLUGS AS VIEWED FROM THE CORDAGE END HAVE THE SAME ORIENTATION OF CONDUCTORS AS THAT SHOWN HERE FOR THEIR RESPECTIVE RECEPTACLES.



SWITCHES		TRANSFORMERS		MISCELLANEOUS	
SYMBOL	DESCRIPTION	SYMBOL	DESCRIPTION	SYMBOL	DESCRIPTION
S-50	SWITCH OF EMISSION	T-50	TONE OSC.	TC-50	THERMOCOUPLE ANT. CURRENT INDICATOR (LOCAL)
S-51	MAIN ON-OFF BATTERY LINE	T-51	MICROPHONE MODULATION	M-50	ANT. CURRENT INDICATOR (LOCAL)
S-52	TRANSMITTER SELECTION	T-52	MASTER OSC.	K-56	BUILT-IN KEY CRYSTAL UNIT
S-53	SHUNTS MIC. SERIES RESISTOR	T-53(A,B)	TRANS. OUTPUT	F-50	20 A FUSE
S-54	ANT. CURRENT-METER SWITCHING	T-53(A,B)	ANT. CURRENT	F-51	20 A FUSE

**TYPE CBY-29125
ANTENNA RELAY UNIT**