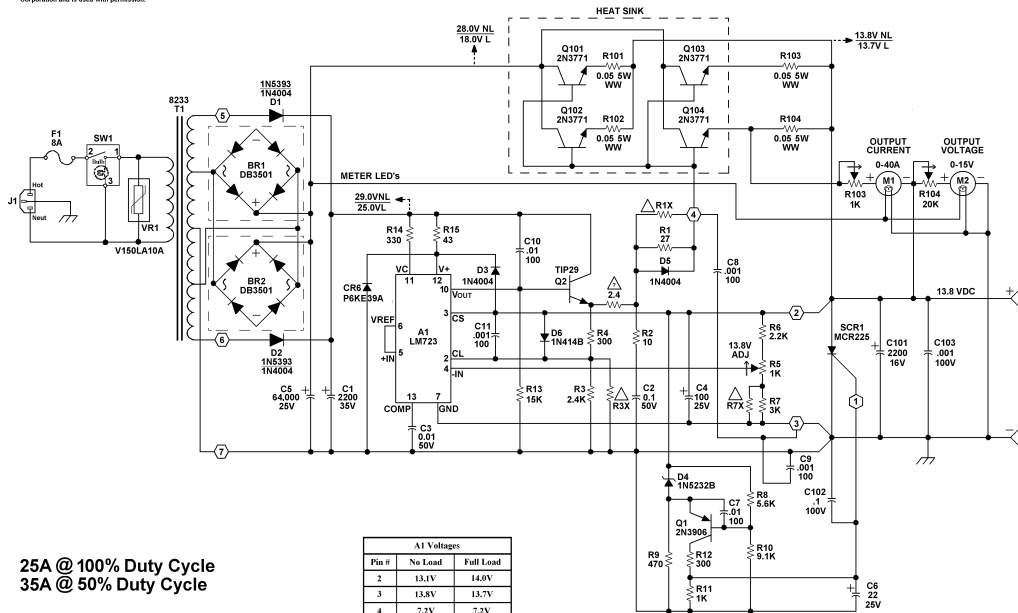


The schematic image reproduced on this page is copyright © Astron Corporation. No copyright infringement is intended. This diagram depicts a particular serial numbered unit for service use only. The Astron logo/image is a registered trademark of the Astron Corporation and is used with permission.



25A @ 100% Duty Cycle
35A @ 50% Duty Cycle

Unless Otherwise Noted:

- All resistors are 5%, 1/2 watt C.F.in ohms
- All capacitors are in Microfarads
- Printed circuit board connection
- △ To be selected in test
- ⊠ Not found in all units
- Clockwise Rotation

| A1 Voltages | | |
|-------------|---------|-----------|
| Pin # | No Load | Full Load |
| 2 | 13.1V | 14.0V |
| 3 | 13.8V | 13.7V |
| 4 | 7.2V | 7.2V |
| 5 | 7.2V | 7.2V |
| 6 | 7.2V | 7.2V |
| 7 | 0.0V | 0.0V |
| 10 | 14.8V | 16.5V |
| 11 | 29.0V | 25.0V |
| 12 | 29.0V | 25.0V |
| 13 | 16.1V | 17.8V |

MODEL: RS-35M s/n 2071000xx OCTOBER 2009



IRVINE, CALIFORNIA