



OPERATING MANUAL  
MODEL PSU-5A POWER SUPPLY

1. The Cubic PSU-5A fixed station power supply-speaker provides a regulated D.C. voltage for operation of all Cubic solid state transceivers, but is intended particularly to match the Swan Division ASTRO-150 and 100MX Transceivers.
2. The PSU-5A is designed to operate from nominal 117 volts A.C., 50-60 Hz or 230 volts A.C. 50-60 Hz. All assemblies are factory wired for 117 v.a.c. operation, however, they may easily be re-wired for 230 v.a.c. operation.
3. The PSU-5A is conservatively rated at 20 amps at 13.6 volts for intermittent operation and 10 amps semi-continuous operation.
  - \* Intermittant Operation: Operated with a cycle of one minute on and four minutes off.
  - \* Semi-Continuous: Operated with a cycle of 30 minutes on and 30 minutes off.

The output voltage is factory set to 13.6 v.d.c. and is adjustable over a range of approximately 10 to 20 volts. The output regulation at full load is 3%, ripple is less than 1%. The heatsink is adequate for operation under the above operating conditions, however, under prolonged operation, the heatsink will reach temperatures too hot to touch. The supply should not be positioned so that circulation of air around the heatsink is inhibited. If operation is intended over a long period of time or under environmental conditions of high ambient temperature, it is recommended that a small fan be used to direct air against the heatsink.

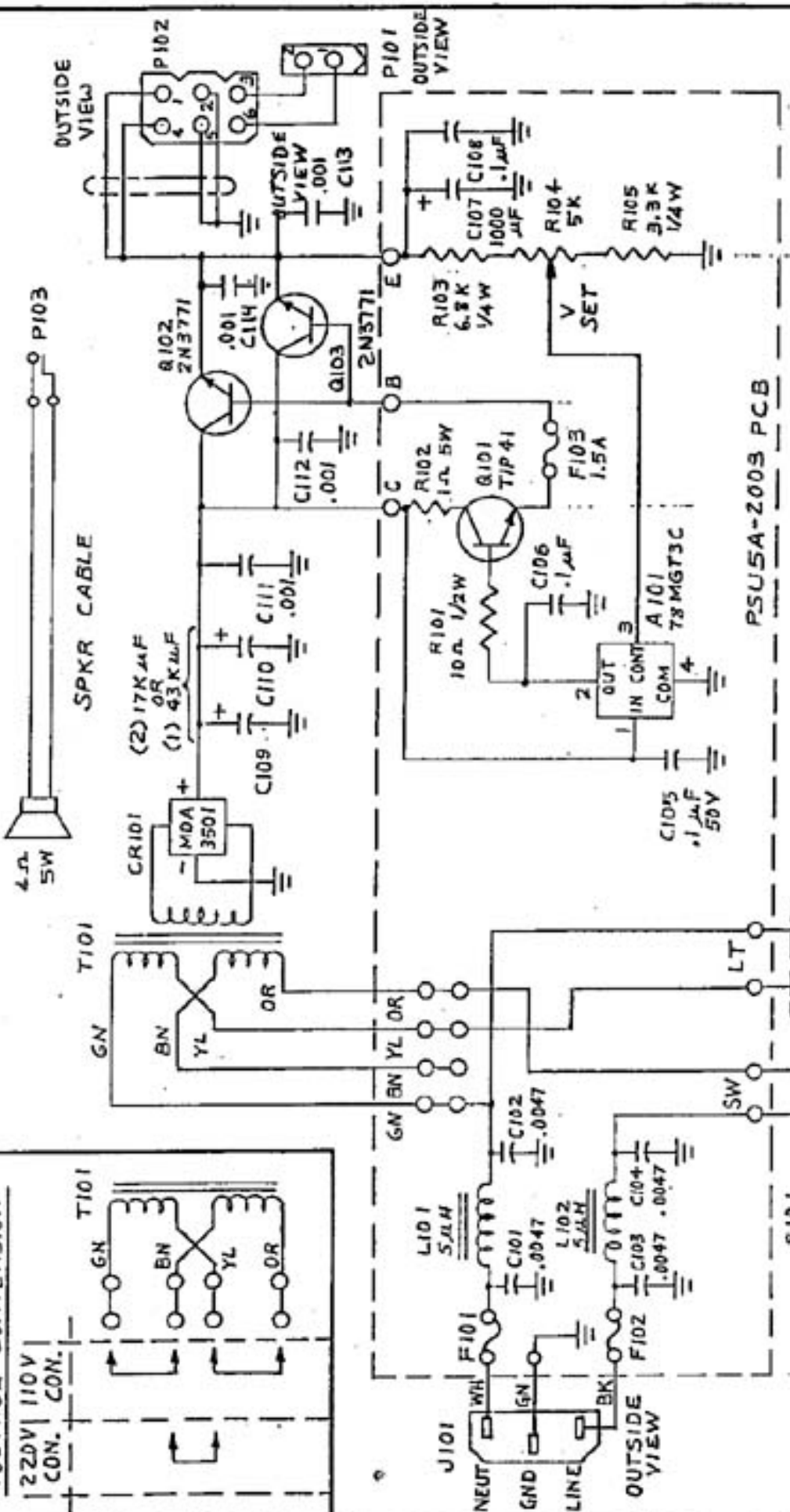
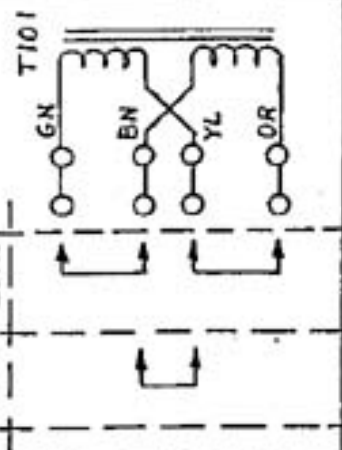
4. The PSU-5A is complete with A.C. line cord and D.C. power cable with connector for the transceiver. The front panel contains ON-OFF switch and indicator light. The PSU-5A also has a speaker for external speaker operation.
5. A two conductor connector at the end of the D.C. power cable is provided to power certain accessories (i.e., Pilot Lights of Antenna Tuner) and is fused by the transceiver fuse.
6. Operating Notes: A ground screw is provided to assure a good chassis ground connection between the transceiver and the power supply. This grounding is particularly important when operating with a nearby antenna tuner and long-wire antenna. When operating with a longwire antenna the interchassis ground lead should be #14 gauge or larger and no longer than eight inches. Care should be used to ground the transceiver in accordance with its operating instructions.

Specifications

Average Power Consumption:	117 watts receive 700 watts transmit
Input:	117/230 VAC 50-60 Hz
Dimensions:	9 3/4" W x 3 3/4" H x 10 3/4" D
Weight:	18.3 lbs.

**VOLTAGE CONVERSION**

220V 110V  
CON. CON.



1. FUSES : F101, F102 : 110V = 6A  
 220V = 4A
- NOTES: