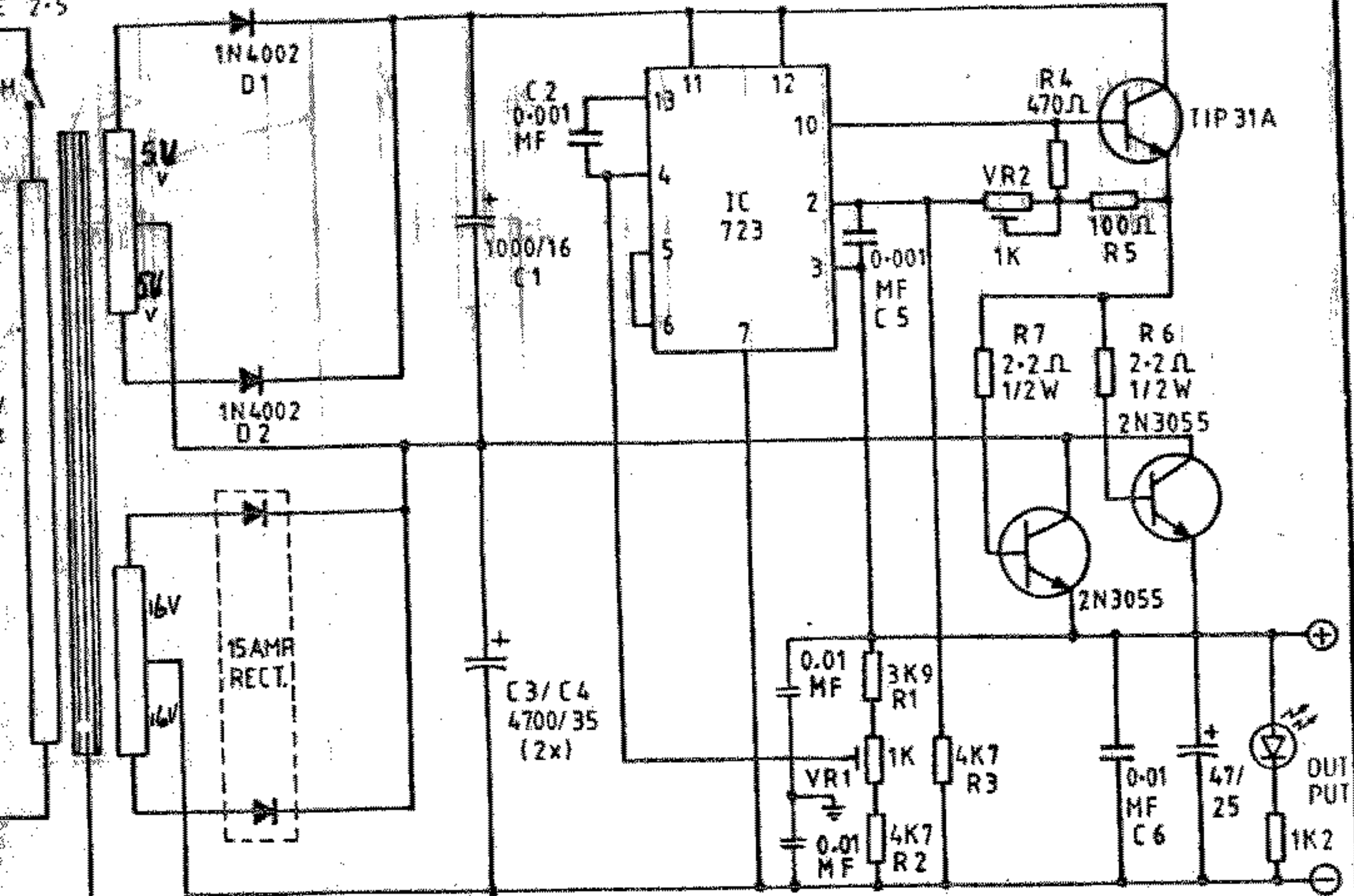


# SCHEMATIC CIRCUIT DIAGRAM OF POWER SUPPLY "HAMMASTER"

7-5



VR1 - VOLTAGE ADJUST POTENTIOMETER

VR2 - CURRENT LIMIT PRESET.

ALL RESISTORS 1/4W ± 5% UNLESS OTHERWISE STATED.

S.I.P.L. RATING: 13.8V 10/12 AMPS.

MODEL: 10/12 A

DT: 10-12-90