

# **PYRAMID<sup>®</sup>**

## **Gold Series**

REGULATED DC  
POWER SUPPLY

MODEL: PS — 52K

---

### **INSTRUCTION MANUAL**

---

GENERAL SPECIFICATION	.....PAGE 2.
SCHEMATIC DIAGRAM	.....PAGE 3.
OPERATION MANUAL & CAUTION	.....PAGE 4.

## GENERAL SPECIFICATIONS:

MODEL NO: PS-52K

### ELECTRICAL:

(A-1) INPUT RATING.

INPUT VOLTAGE: 105VAC-125VAC. (115VAC NORMAL).

INPUT LINE FREQUENCY: 60 Hz.

INPUT POWER: 800W MAX.

(A-2) OUTPUT RATING.

OUTPUT VOLTAGE: 12VDC-15VDC.

OUTPUT POWER: 600W MAX/13.8VDC AT 45 AMP MAX.

OUTPUT RIPPLE: 150mV RMS

(A-3) REGULATION.

LOAD REGULATION: 2% MAX.

LINE REGULATION: 1% MAX. (105VAC-125VAC)

(A-4) PROTECTION.

INPUT LINE PRECAUTION: GLASS TUBE FUSE 10A/250VAC  
(NON-TIME DELAY).

OVER-LOAD PRECAUTION: 90% RATED LOAD PRECAUTION  
DEVICES. # SEE OPERATION #

OVER-LOAD PROTECTION: 50AMP±2AMP. (INSTANT AUTOMATIC  
RESET).

OVER-VOLTAGE PROTECTION: 16VDC±0.5V. (AUTOMATICALLY  
SHUT OFF).

OVER-TEMPERATURE PROTECTION. (AUTOMATIC RESET) # SEE  
OPERATION # COOLING FAN BUILT-IN.

(A-5) EFFICIENCY: 60% MIN. (INPUT AT 115VAC AND OUTPUT AT 13.8VDC  
45AMP).

(A-6) DESIG: LINEAR TYPE.

(A-7) OPERATING TEMPERATURE: 0 TO + 40 DEG C.

(A-8) STORAGE TEMPERATURE: 25 TO + 70 DEG C.

### MECHANICAL:

(B-1) DIMENSIONS: 304mm×480mm×114mm. (L×W×H)  
11.968inch×18.898inch×4.488inch. (L×W×H)

(B-2) WEIGHT: 16.6 KGS

(B-3) ENCLOSURE: METAL/BLACK

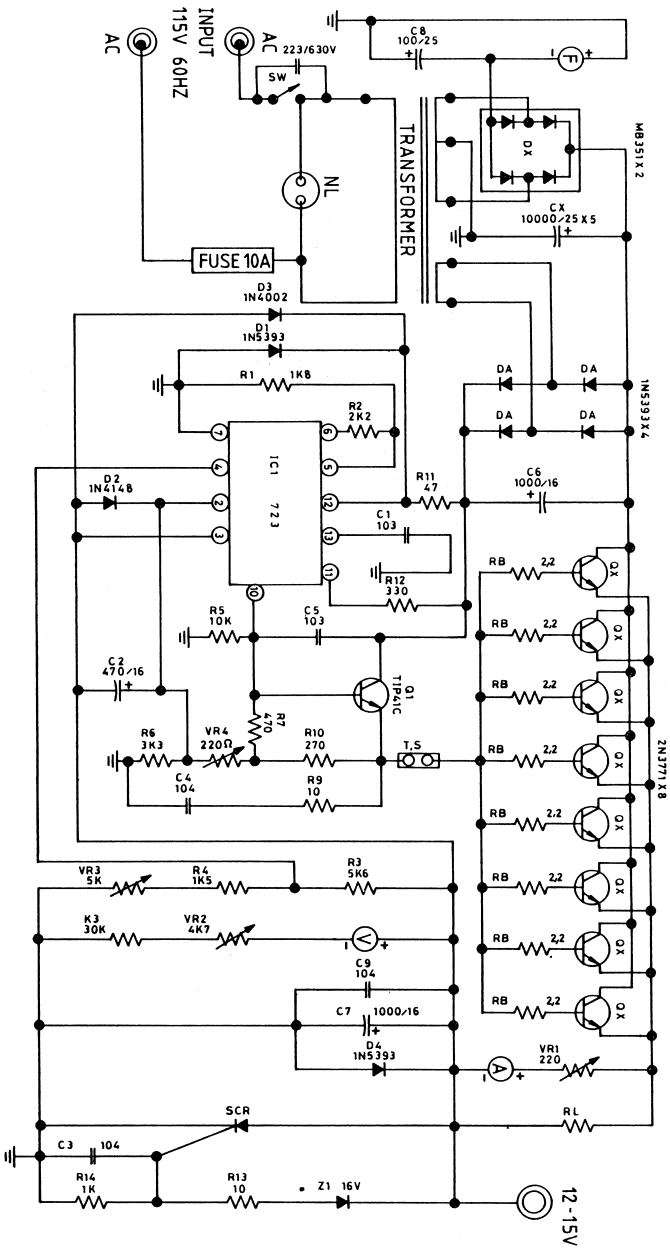
(B-4) INPUT POWER CABLE: SVT/18AWG×3C/6FT MIN. WITH NEMA  
5-15P PLUG.

(B-5) OUTPUT TERMINAL: BINDING POST, RED & BLK.

(B-6) VOLTAGE & AMPERE METER: ANALOG TYPE, CLASS 2.5%

(B-7) POWER SWITCH: ILLUMINATED TYPE, 20A/125VAC.

(B-8) POTENTIOMETER: OUTPUT VOLTAGE ADJUSTABLE.



## OPERATIONS:

1. INSERT AC POWER PLUG INTO A 110V VOLT AC OUTLET
2. CONNECT THE POWER CORD OF YOUR EQUIPMENT (12.0V-15.0VDC) TO THE OUTPUT BINDING POST TERMINALS ON THE FRONT OF THE UNIT. BE SURE THAT POLARITY IS CORRECT. THE RED POSITIVE(+) TERMINAL AND BLACK NEGATIVE(-) TERMINAL ARE MARKED, REVERSAL OF POLARITY MAY DAMAGE BE YOUR EQUIPMENT.
3. TURN SWITCH TO "ON". RED LIGHT IN SWITCH WILL BE ILLUMINATED.
4. TURN THE VOLTAGE ADJUST TO THE VOLTAGE LEVEL REQUIRED IN THE DC VOLTAGE METER. THE CORRECT VOLTAGE IS THE ACTUAL VOLTAGE REQUIRED BY YOUR EQUIPMENT. DO NOT TOUCH THIS VOLTAGE ADJUST IN OPERATION WHEN VOLTAGE HAS BEEN SET UNLESS YOU WANT TO CHANGE OUTPUT VOLTAGE.
5. THE INPUT POWER IS PROTECTED BY THE FUSE WHICH IS LOCATED AT THE REAR OF THE UNIT AND CAN BE REPLACED BY UNSCREWING THE FUSE HOLDER IF THE FUSE IS BURNT OUT. DO NOT USE A FUSE LARGER THAN 10 AMP. USE OF HEAVIER FUSE MAY RESULT IN DAMAGING TO THIS UNIT.
6. THIS UNIT HAS ELECTRONIC OVERLOAD PROTECTION WITH INSTANT AUTOMATIC RESET FUNCTION. IF OUTPUT IS OVERLOADED. THE OUTPUT POWER WILL AUTO MATICALLY SHUT OFF. RELEASE POWER CORD OF YOUR EQUIPMENT FROM THE OUTPUT TERMINALS AND CHECK THE ACTUAL POWER RATING OF YOUR EQUIPMENT. THIS UNIT WILL AUTOMATICALLY RESET INSTANTLY.
7. THIS UNIT HAS OVER-VOLTAGE PROTECTION. WHEN THE OUTPUT VOLTAGE OVER 16V. THIS POWER SUPPLY WILL AUTOMATICALLY SHUT OFF.
8. THIS UNIT WILL AUTOMATICALLY SHUT OFF WHEN THE TEMPERATURE INSIDE THIS UNIT REACHES 105°C. IT WILL NOT RETURN TO THE NORMAL STATUS UNTIL THE TEMPERATURE INSIDE THIS UNIT IS DOWN TO 70°C.

## CAUTIONS:

1. DO NOT USE WITH EQUIPMENT REQUIRING MORE THAN 50 AMP.
2. DO NOT USE OUTDOORS. DO NOT EXPOSE UNIT TO RAIN, MOISTURE, WATER OR ANY OTHER LIQUIDS.
3. DO NOT REMOVE COVER IN ANY CASE. RETURN TO DEALER FOR REPAIR IF DAMAGED.
4. THIS UNIT HAS A SPECIAL BUILT-IN FEATURE THAT WILL SHUT THE UNIT DOWN IF MARKED AMPERAGE IS EXCEEDED. THIS WILL AVOID BURN-OUT OF YOUR EQUIPMENT AND OF UNIT. IF UNIT DOES CONSISTENTLY SHUTDOWN, THIS MEANS YOU ARE DRAWING TOO MUCH AMPERAGE. RETURN UNIT TO PLACE OF PURCHASE AND UPGRADE TO NEXT AVAILABLE UNIT OFFERING HIGHER AMPERAGE. PLEASE DO NOT BYPASS OR ALTER THIS CIRCUIT AS IT IS THERE TO PROTECT YOU. ANY ALTERATION OR MISUSE WILL VOID YOUR WARRANTY.

**"DANGER"**  
**HIGH VOLTAGE**  
REFER TO QUALIFIED TECHNICIAN FOR SERVICE.