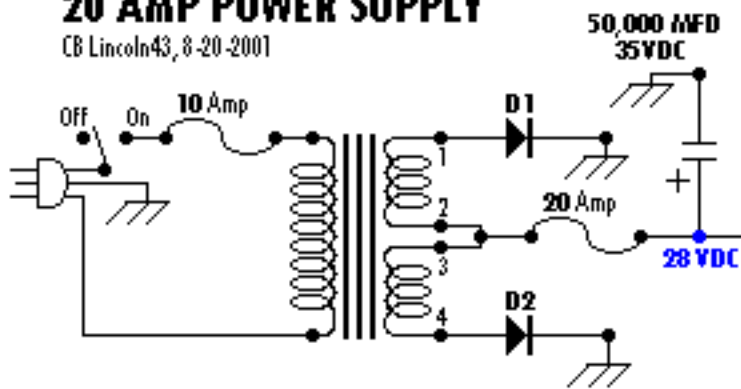
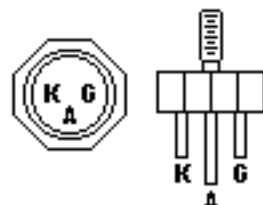


# SAY ELECTRONICS, SPS - 20 20 AMP POWER SUPPLY

CB Lincoln43, 8-20-2001

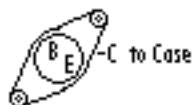


**50325** Thyristor 35 Ampere Isolated - Stud Silicon Controlled Rectifier

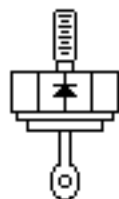


Downloaded by  
RadioAmateur.EU

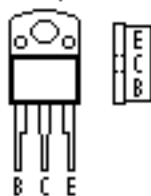
**2N3771** Inside View Cross NTE181, NPN-Si, AF AMP, hFE 25 min.



**1N1183R**  
Cross NTE 5987, 50V PRV, 40A.  
**NOTE:** Anode to Case



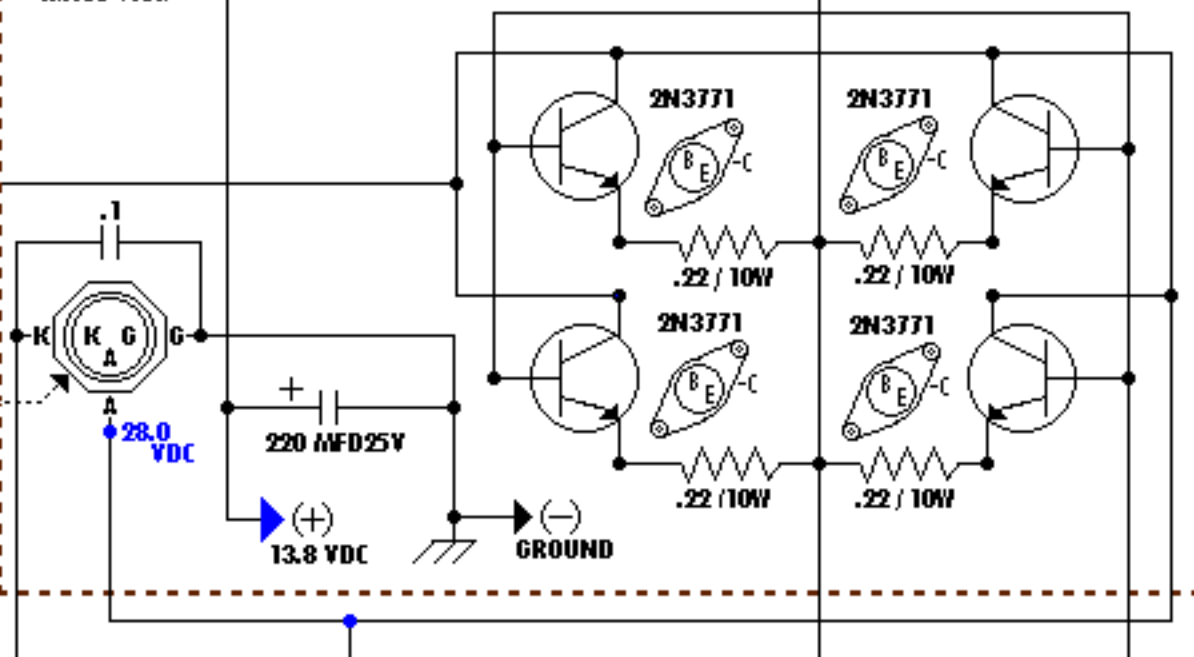
**TIP 3055 TOP VIEW**  
Cross NTE392, NPN-Si, PWR AMP,  
Hi Speed SW, hFE 25 min.



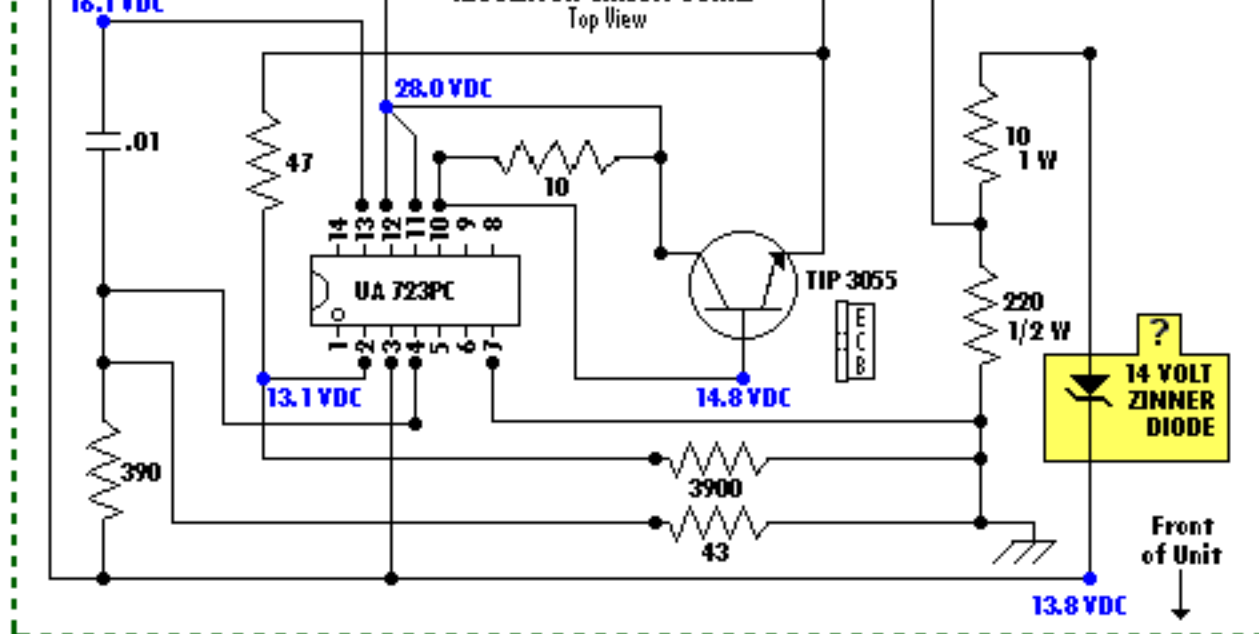
**UA 723PC**

- |                     |  |
|---------------------|--|
| 1. N/C              | 14. N/C  |
| 2. Current Limit    | 13. Frequency Compensation                               |
| 3. Current Sense    | 12. $V_+ = \text{Max } 40 / \text{Min } 9.5 \text{ VDC}$ |
| 4. Inverting        | 11. $V_c$  |
| 5. Non-Inverting in | 10. $V_{out} = 2 \text{ to } 37 \text{ VDC}$             |
| 6. $V_{REF}$        | 9. $V_z$   |
| 7. $V_-$            | 8. N/C   |

**REAR PANNEL  
Inside View**



**REGULATOR CIRCUIT BOARD  
Top View**



Front  
of Unit