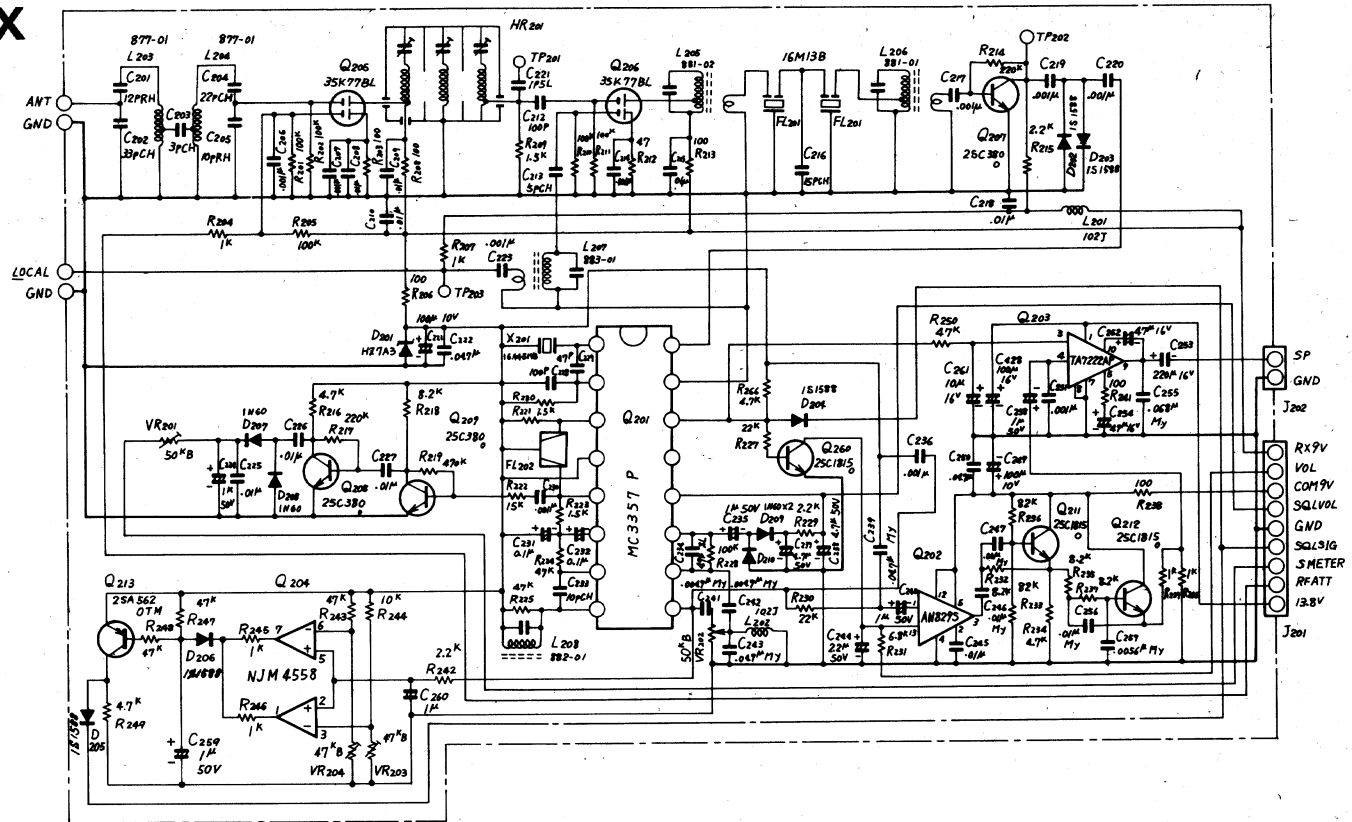


RX



My : Mylar
Ta : Tantalum

UNIT Ω
 μF

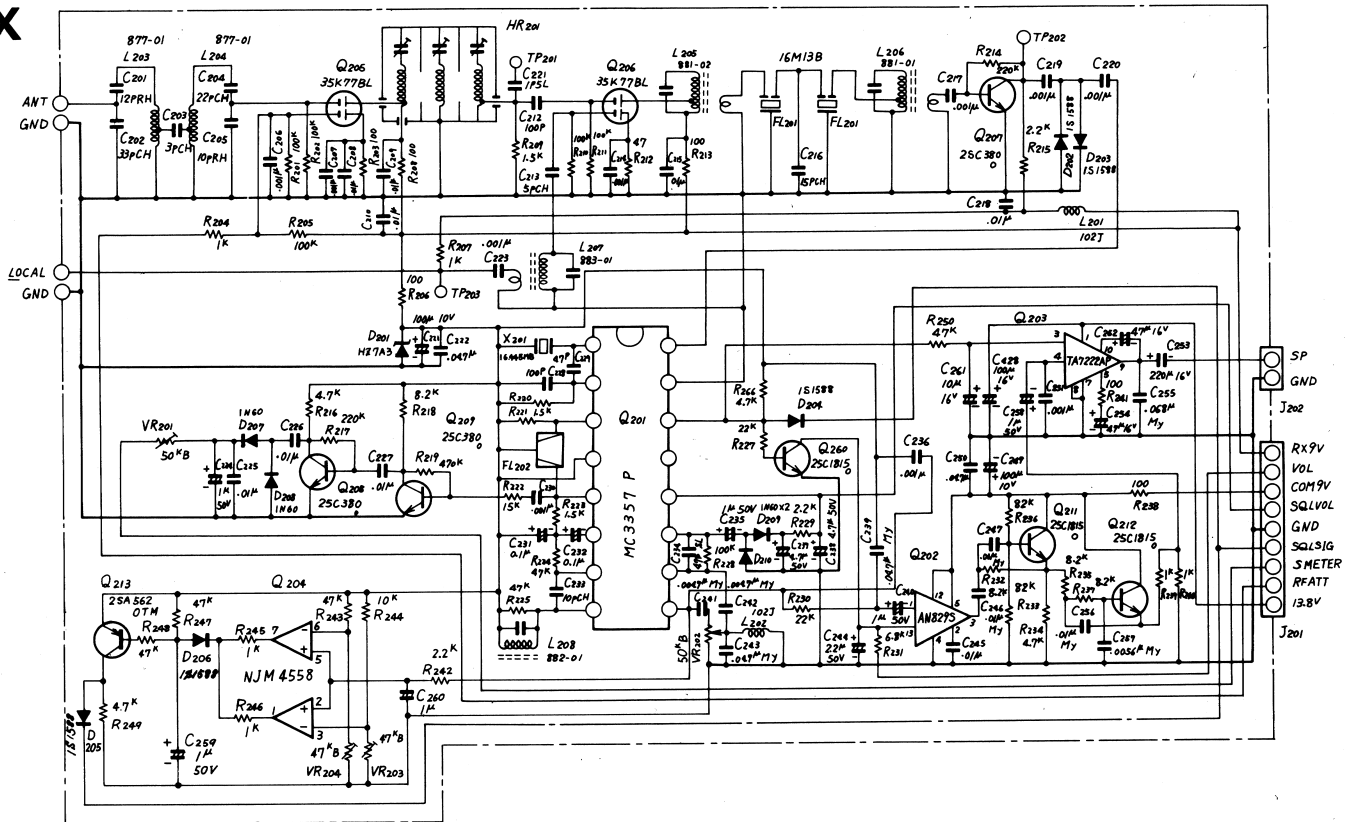
Some components subject to change for an improvement without notice.

PROCESSING MOBILE TRANSCEIVER

PCS-3000

SCHEMATIC DIAGRAM

(A)

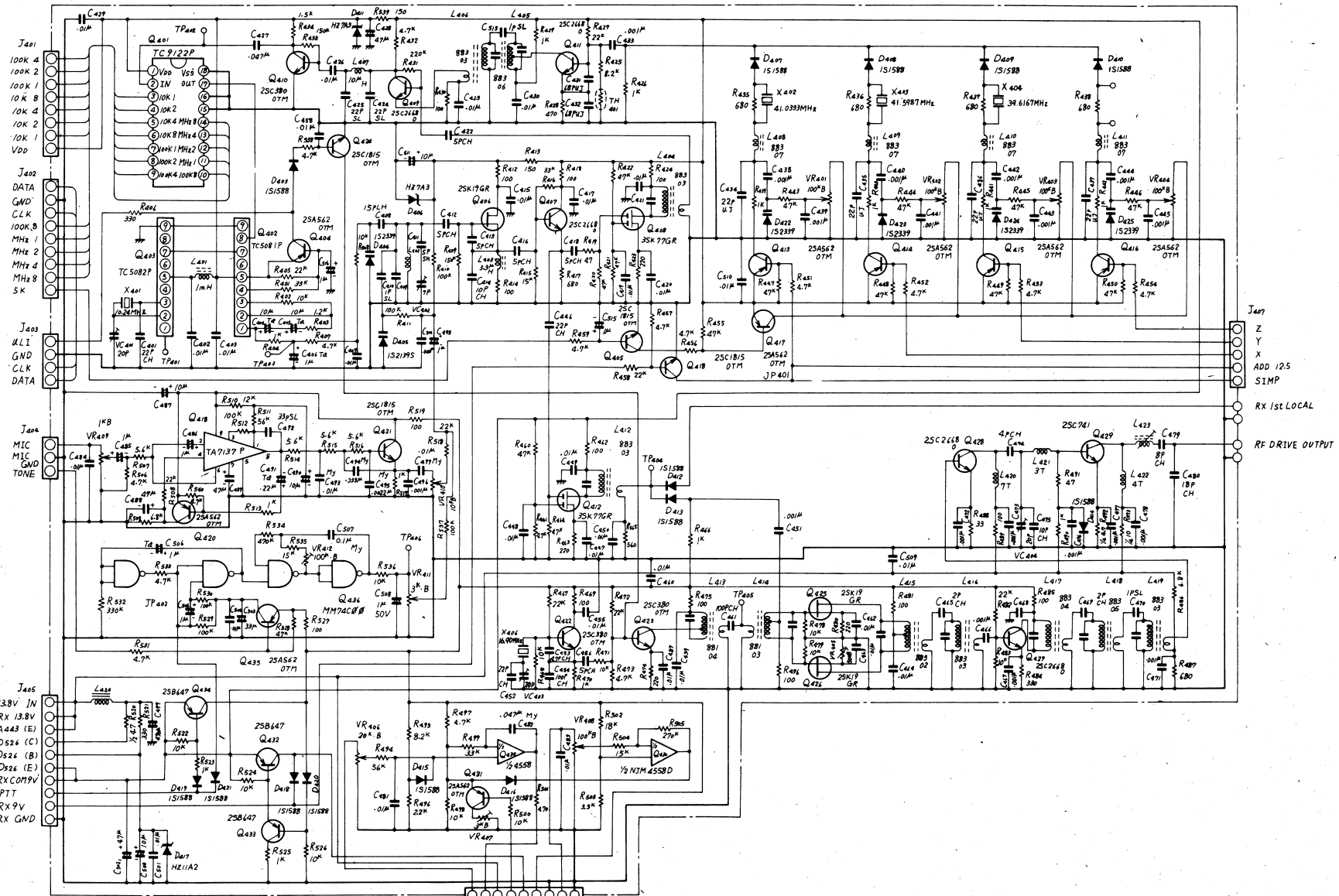
RX

PROCESSING MOBILE TRANSCEIVER

PCS-3000 SCHEMATIC DIAGRAM (A)

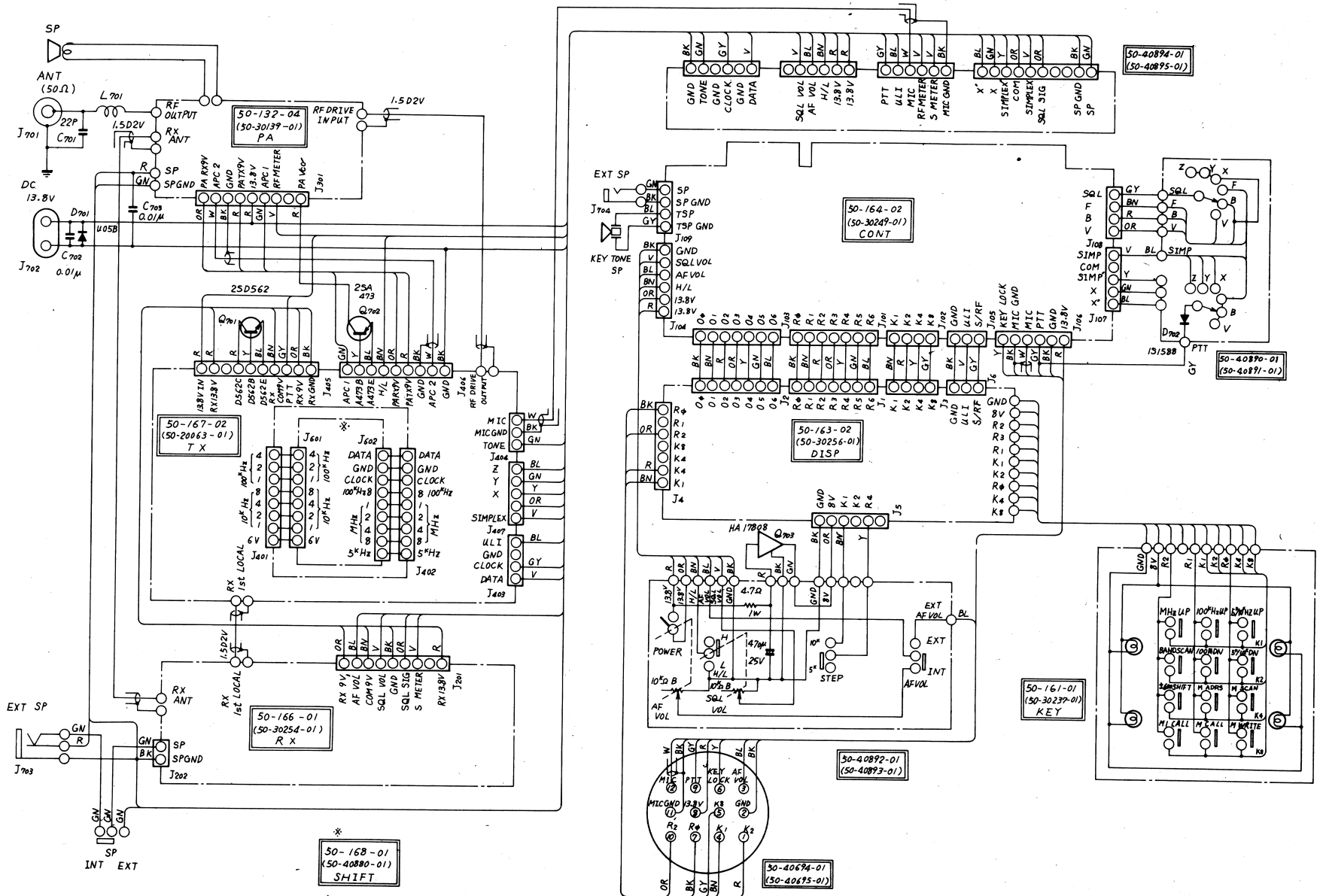
to change
ut notice.

TX



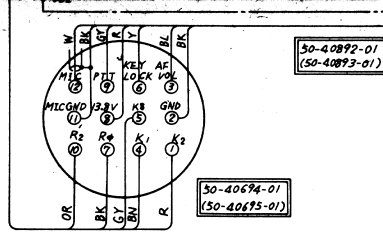
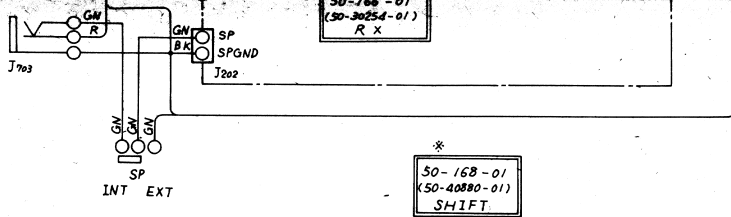
APC A473 RX GND GND J406
 A473 1/2 TX APC
 183

AZDEN[®]

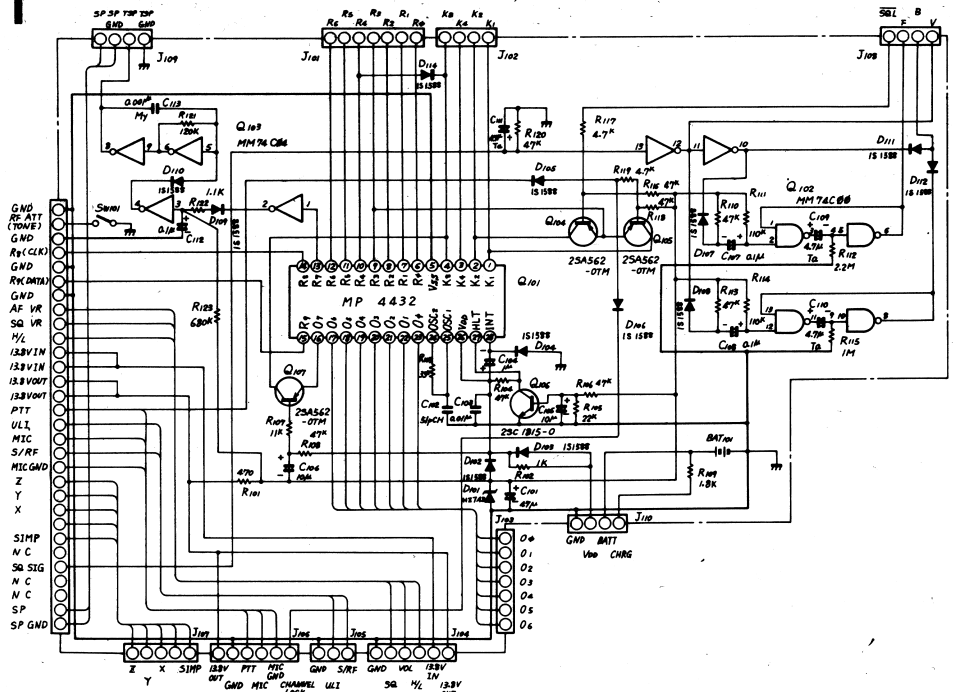


CONT

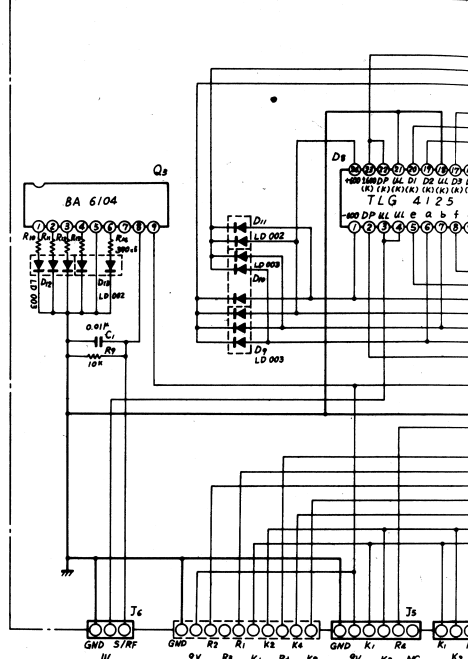
DISP



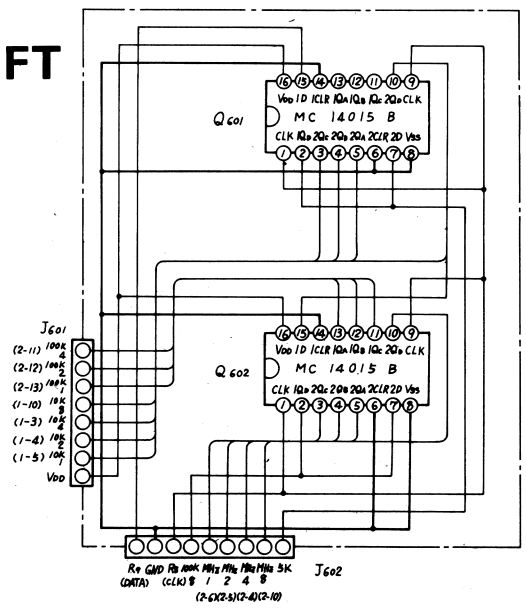
CONT



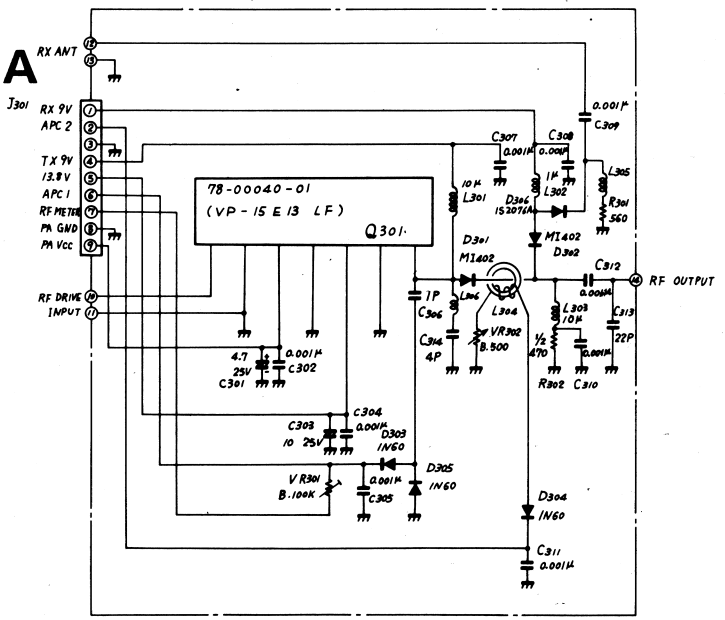
DISP



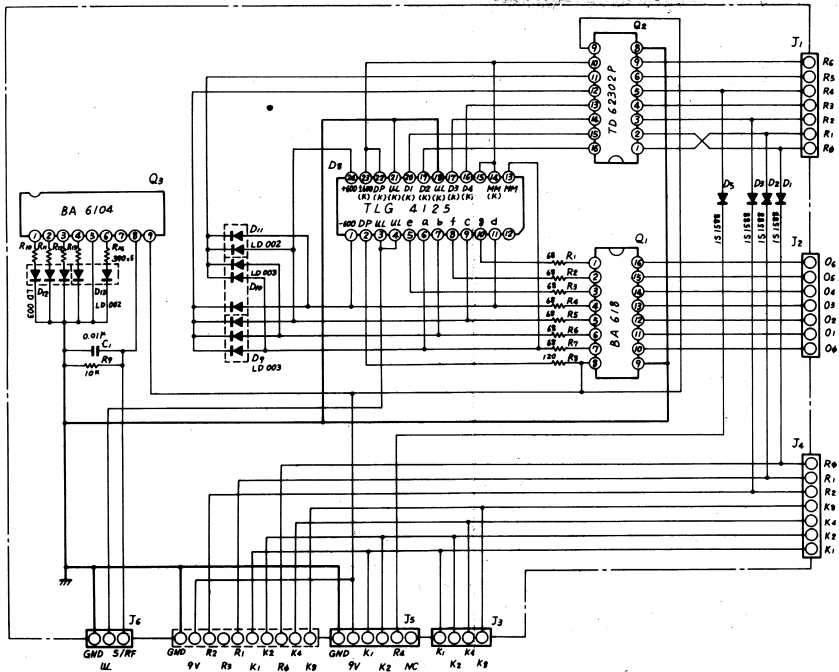
SHIFT



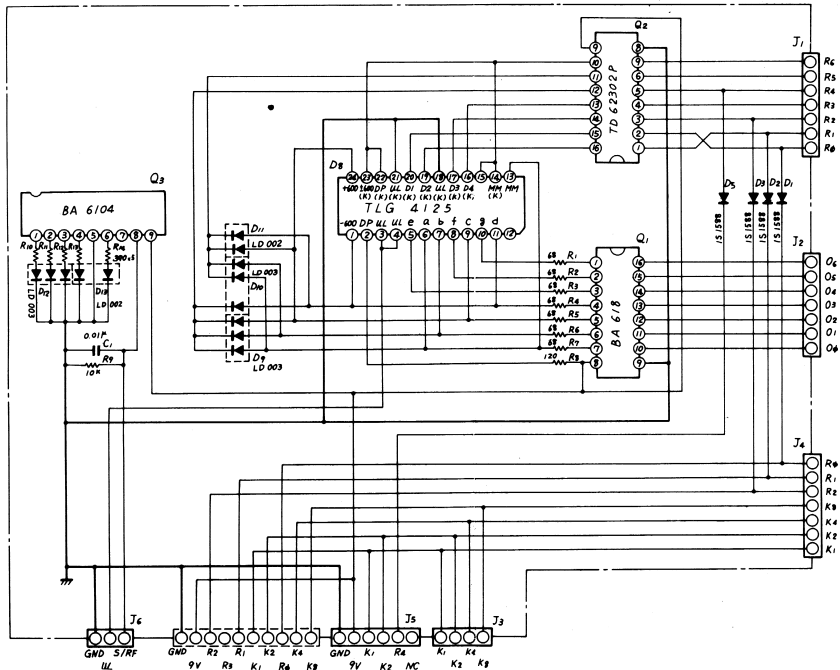
PA



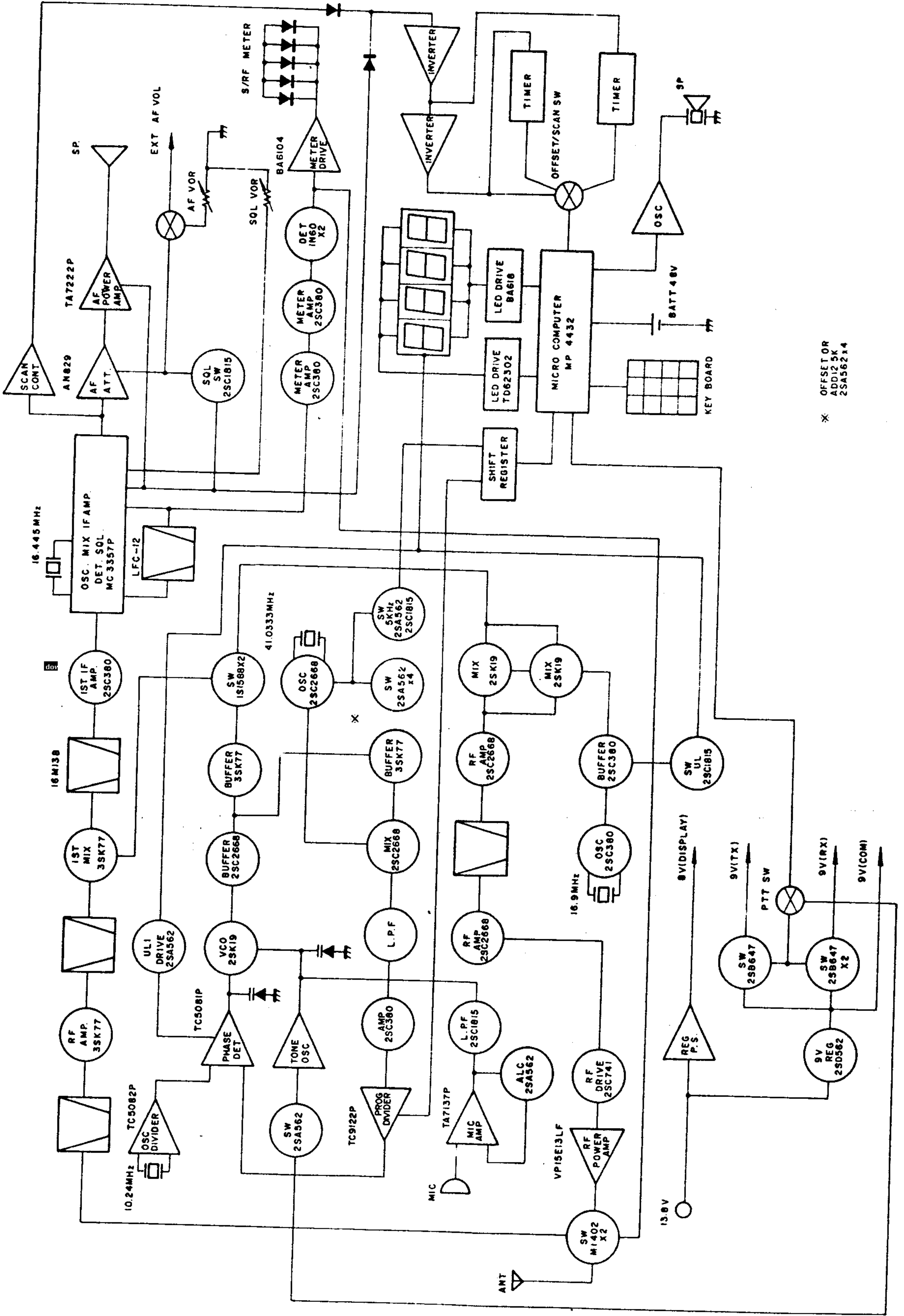
DISP



DISP



★ SCHEMA A BLOCCHI



* OFFSET OR ADDR 12.5K 2SA56214