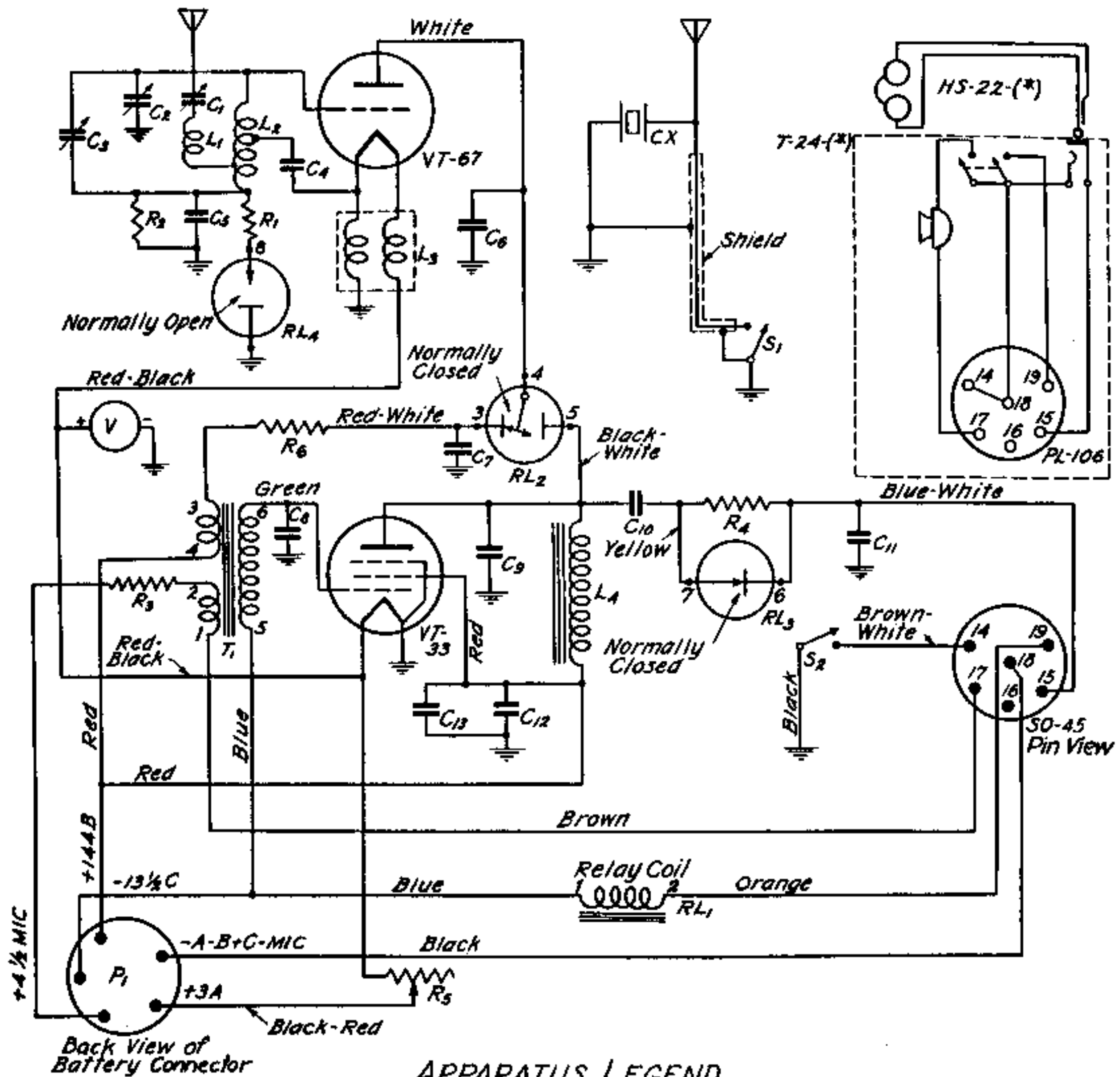


# SCHEMATIC

Downloaded by  
RadioAmateur.EU



## APPARATUS LEGEND

- |  |   |
|--|---|
| C <sub>1</sub> - Capacitor - 10 μf     | L <sub>3</sub> - Coil, Filament Choke   |
| C <sub>2</sub> - Capacitor, Trimmer    | L <sub>4</sub> - Coil   |
| C <sub>3</sub> - Capacitors 6-32 μf    | P <sub>1</sub> - Plug, Battery  |
| C <sub>4</sub> - Capacitor - 100 μf    | R <sub>1</sub> - Resistor - 5,000 ohms  |
| C <sub>5</sub> - Capacitor - 0.001 μf  | R <sub>2</sub> - Resistor - 30,000 ohms   |
| C <sub>6</sub> - Capacitor - 0.003 μf  | R <sub>3</sub> - Resistor - 40 ohms   |
| C <sub>7</sub> - Capacitor - 0.002 μf  | R <sub>4</sub> - Resistor - 200,000 ohms  |
| C <sub>8</sub> - Capacitor - 250 μf    | R <sub>5</sub> - Rheostat - 10 ohms   |
| C <sub>9</sub> - Capacitor - 0.001 μf  | R <sub>6</sub> - Resistor - 20,000 ohms   |
| C <sub>10</sub> - Capacitor - 0.003 μf | RL <sub>1</sub> - RL <sub>2</sub> - RL <sub>3</sub> - RL <sub>4</sub> - Relay BK-10 |
| C <sub>11</sub> - Capacitor - 0.01 μf  | S <sub>1</sub> - Switch   |
| C <sub>12</sub> - Capacitor - 0.5 μf   | S <sub>2</sub> - Switch   |
| C <sub>13</sub> - Capacitor - 0.5 μf   | S <sub>0</sub> - Socket   |
| CX - Crystal                           | T <sub>1</sub> - Transformer  |
| L <sub>1</sub> - Coil, Tuning          | V - Voltmeter   |

