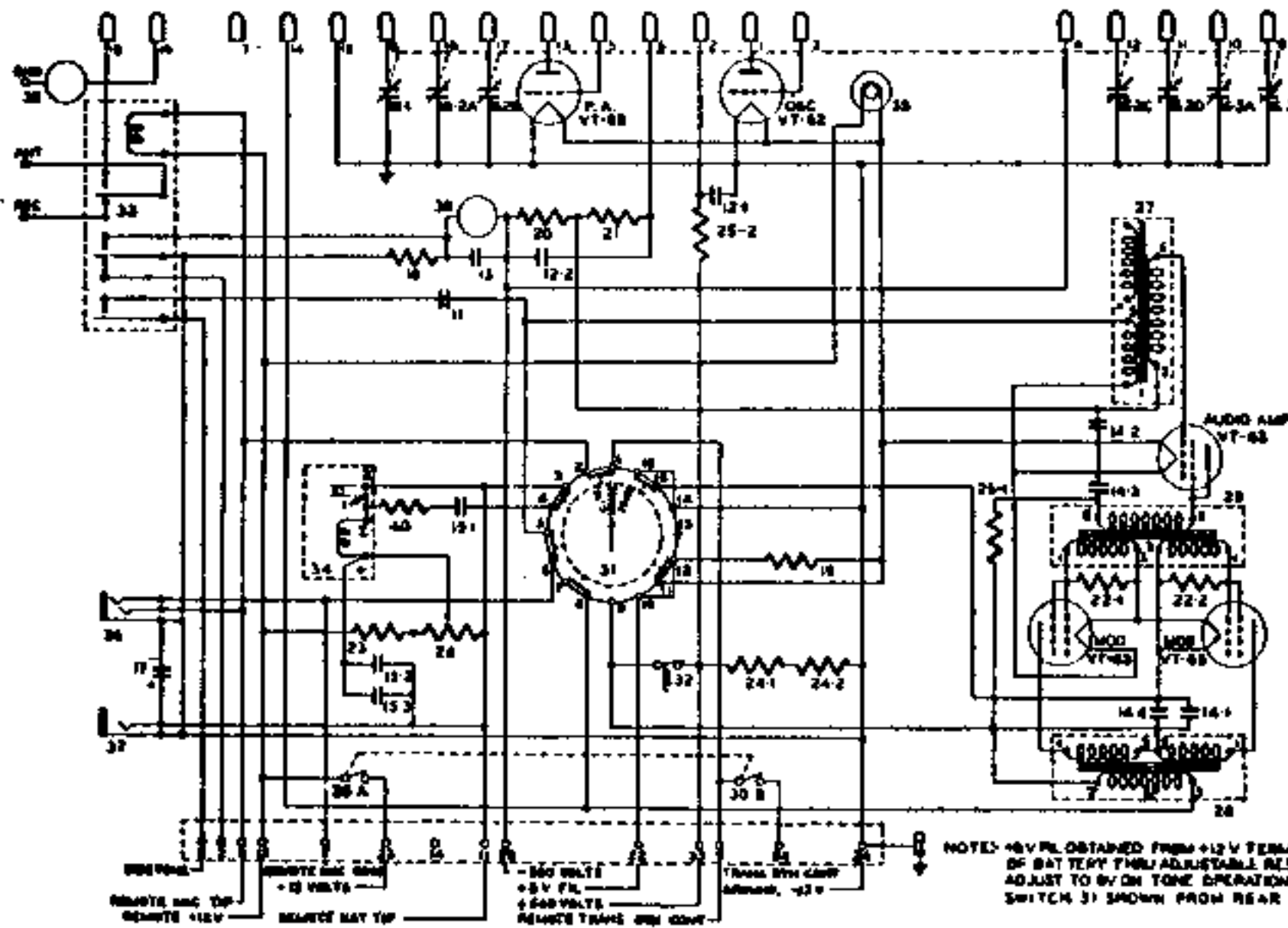


SCHEMATIC

Downloaded by
RadioAmateur.EU

RADIO TRANSMITTER BC-223



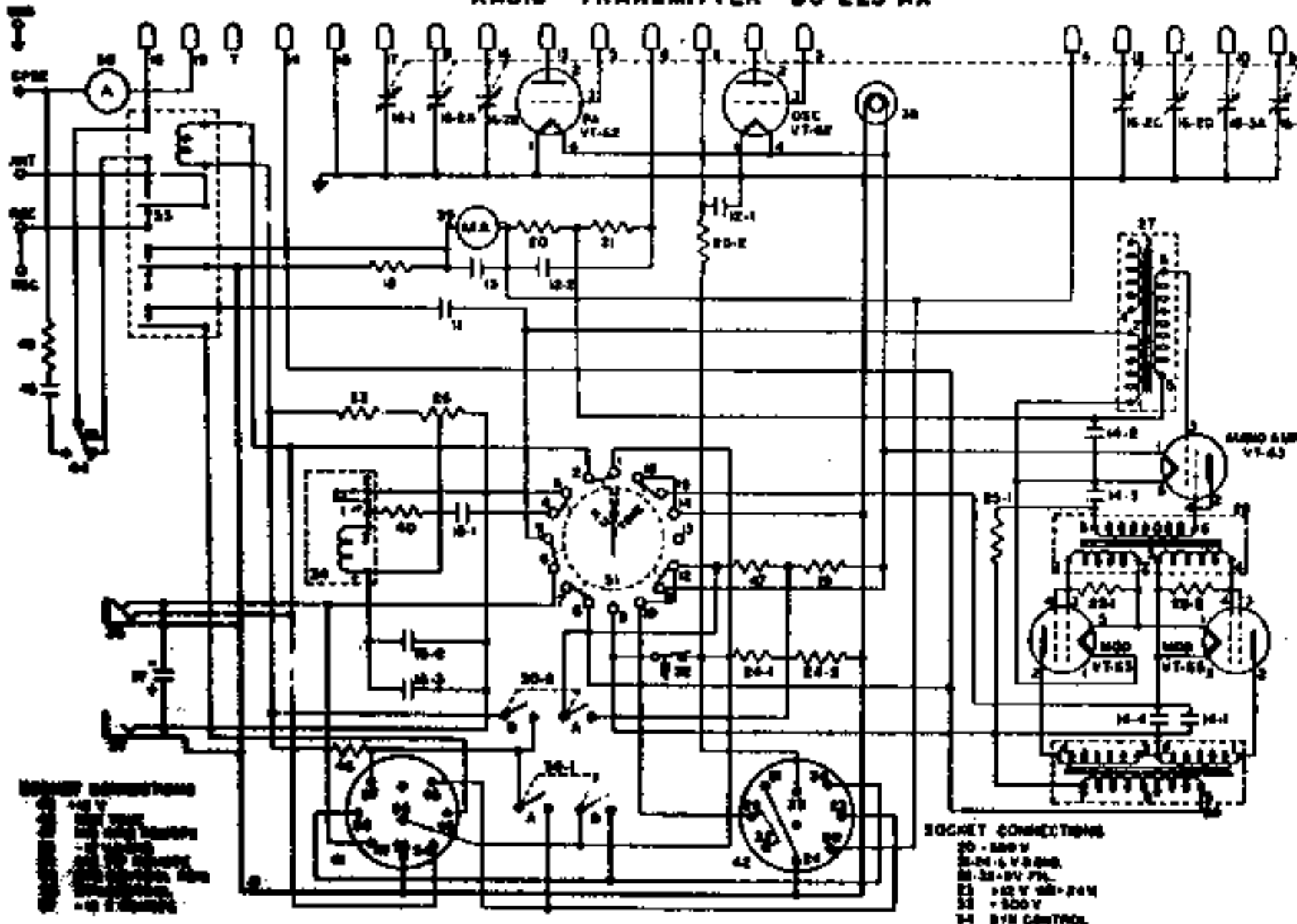
APPARATUS LEGEND

PART	TYPE	DESCRIPTION	QUAN.
11	CA-177A	CAPACITOR .5MF.	(1)
12	CA-183	CAPACITOR .01 MF.	(2)
13	CA-211	CAPACITOR .002MF.	(1)
14	CA-321	CAPACITOR 5MF 100V.	(4)
15	CA-322	CAPACITOR 1.0MF.	(3)
16	CA-325	CAPACITOR { -1 1X80MMF. -2 4X100MMF. -3 2X200MMF.	(1)
17	CA-337	CAPACITOR 16 MF.	(1)
18	RS-137	RESISTOR 25000 OHMS	(1)
19	RS-202	RESISTOR 75 OHMS	(1)
20	RS-204	RESISTOR 3500 OHMS	(1)
21	RS-205	RESISTOR 11500 OHMS	(1)
22	RS-206	RESISTOR 1000 OHMS	(2)
23	RS-212	RESISTOR 100 OHMS 1W	(1)
24	RS-208	RESISTOR 100000 OHMS	(2)
25	RS-70	RESISTOR 5000 OHMS	(2)
26	RS-152	POTENTIOMETER 0-100 OHMS	(1)
27	C-159	TRANSFORMER (INPUT)	(1)
28	C-223	TRANSFORMER (OUTPUT)	(1)
29	C-224	TRANSFORMER (INTERSTAGE)	(1)
30	SW-116	SWITCH (2 POLE)	(1)
31	SW-132	SWITCH.	(1)
32	SW-133	SWITCH	(1)
33	BK-16	RELAY	(1)
34	BZ-7-C	INTERRUPTER	(1)
35	LM-33	LAMP	(1)
36	JK-43	JACK	(1)
37	JK-44	JACK	(1)
38	IS-128	AMMETER 0-3AMPS. R.F.	(1)
39	IS-129	AMMETER 0-300MA. D.C.	(1)
40	RS-207	RESISTOR 750 OHMS	(1)

Transmitter BC-223-A is the same as above diagrammed for BC-223, except for the use of connectors, instead of a terminal strip, for power supply and control connections. For internal transmitter wiring of the connectors, refer to diagram for the BC-223-AX illustrated below.

SCHEMATIC

RADIO TRANSMITTER BC-223-AX

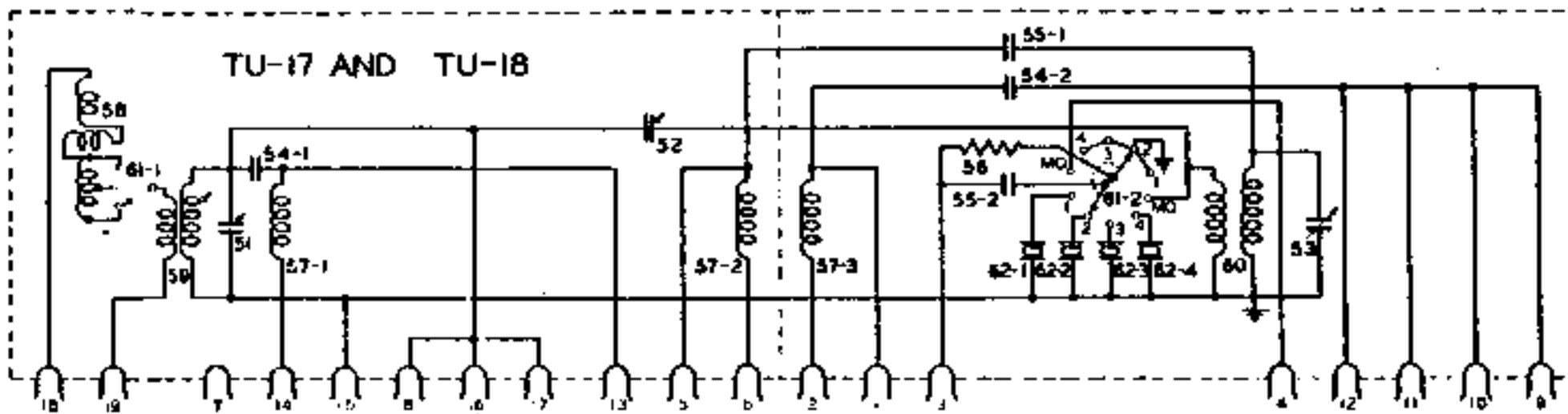


APPARATUS LEGEND

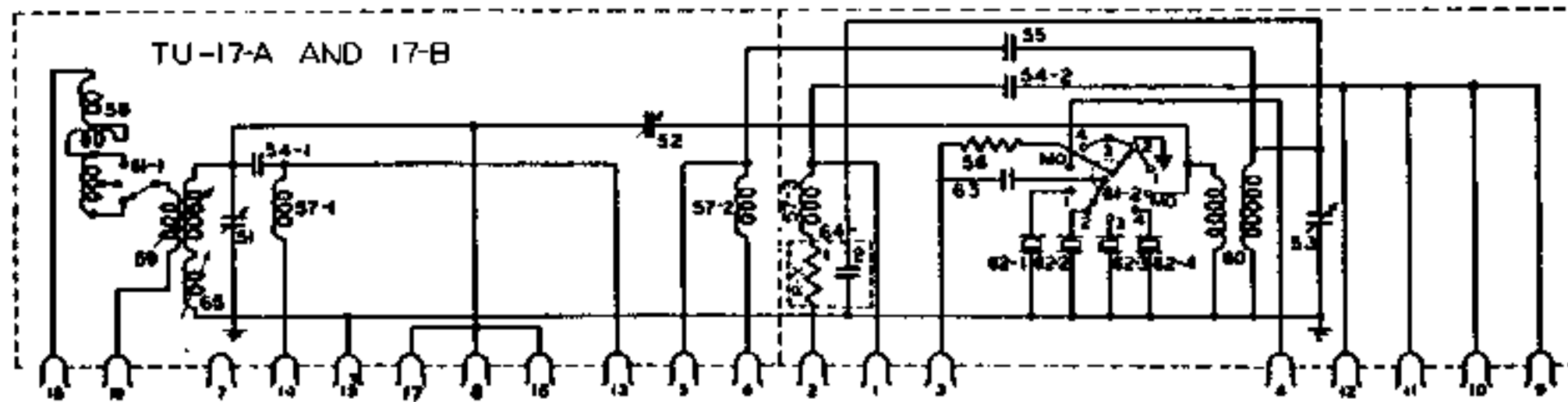
PART	TYPE	DESCRIPTION	QUAN.
11	CA-243	CAPACITOR .5 μf	1
12	CA-183	CAPACITOR .01 μf	2
13	CA-211	CAPACITOR .002 μf	1
14	CA-321	CAPACITOR 5 μf 1000V	4
15	CA-322	CAPACITOR 10 μf	3
16-1	CA-325-B	CAPACITOR 1-80 μf	1
16-2	"	4-100 μf	
16-3	"	2-200 μf	
17	CA-337	CAPACITOR 16 μf	1
18	RS-137	RESISTOR 25000 OHMS	1
19	RS-202	RESISTOR 75 OHMS	1
20	RS-204	RESISTOR 3500 OHMS	1
21	RS-205	RESISTOR 11500 OHMS	1
22	RS-206	RESISTOR 1000 OHMS	2
23	RS-212	RESISTOR 100 OHMS 1W	1
24	RS-208	RESISTOR 100000 OHMS	2
25	RS-70	RESISTOR 5000 OHMS	2
26	RS-152	POTENTIOMETER 0-100 OHMS	1
27	C-159	TRANSFORMER (INPUT)	1
28	C-223	TRANSFORMER (OUTPUT)	1
29	C-224	TRANSFORMER (INTERSTAGE)	1
30	SW-116	SWITCH (2 POLE)	1
31	SW-132	SWITCH (REAR VIEW SHOWN)	1
32	SW-133	SWITCH	1
33	BK-16	RELAY	1
34	BZ-7-D	INTERRUPTER	1
35	LM-33	LAMP	1
36	JK-33-A	JACK	1
37	JK-34-A	JACK	1
38	IS-128	AMMETER 0-3AMPS. R.F.	1
39	IS-129	AMMETER 0-300MA. D.C.	1
40	RS-207	RESISTOR 750 OHMS	1
41	SO-79	SOCKET (REAR VIEW SHOWN)	1
42	SO-80	SOCKET (REAR VIEW SHOWN)	1
43	RS-261	RESISTOR 8.4 OHMS	1
44	SW-139	SWITCH	1
45	CA-421	CAPACITOR 107 μf 3000V	1
46	RS-271	RESISTOR 38 OHMS 10 W	1
47	RS-273	RESISTOR 2 OHMS 20W	1

TUNING UNITS

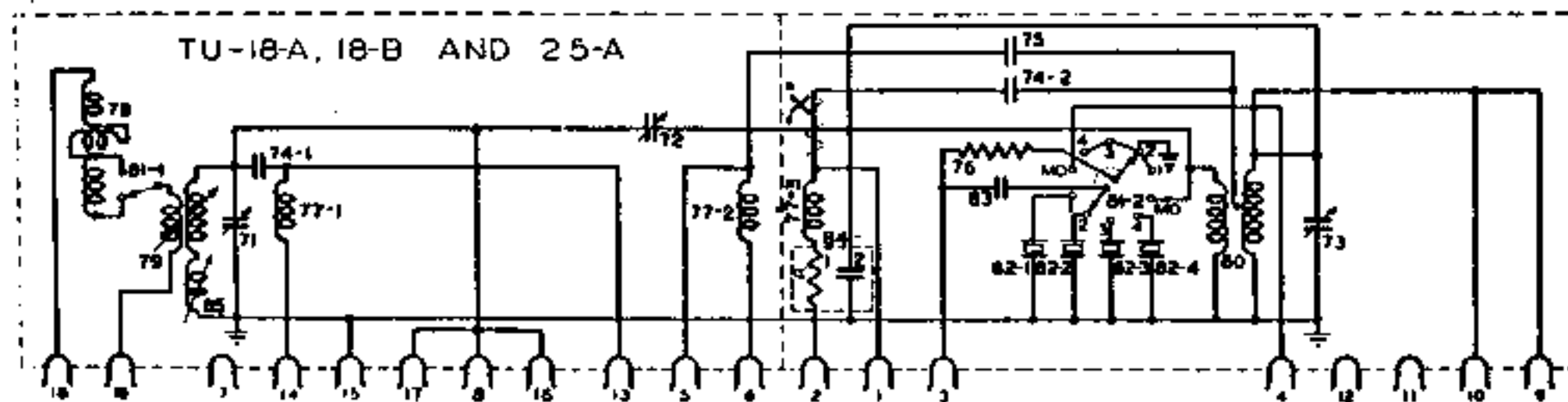
Downloaded by
RadioAmateur.EU



11 AND 12 TERMINALS ARE
BLANK IN TU-18



RESISTOR R-X IS
OMITTED IN TU-17-A



THE R-F SUPPRESSOR
RESISTOR 'R' IS AT
POSITION 'X' IN TU-25-A

PARTS LEGEND

TUNING UNIT DATA

Clean off all traces of corrosion, on plug-in contacts, to ensure good electrical contact and high operating efficiency. This procedure should also be followed in regards to the plug-in tip jacks, in the transmitter tuning unit compartment, which holds the tuning unit.

CAUTION: The serial numbers of transmitter and tuning units must be identical. Do not release tuning units, after servicing, without observing this precaution.

TU-17, TU-17-A, TU-17-B, Ref. No.	TU-18-A and TU-18-B Ref. No.	TU-25-A Ref. No.	Description
51	71	91	35 μf capacitor
52	72	92	50 μf capacitor
53	73		200 μf capacitor
		93	100 μf capacitor
54	74	94	0.01 μf capacitor
55	75	95	0.002 μf capacitor
56	76	96	25000 ohm resistor
57	77	97	R-f choke
58	78	98	Variometer
59	79	99	Variocoupler
60	80	100	Osc. Inductance
61	81	101	Switch
62	82	102	Crystal Holder & Crystals