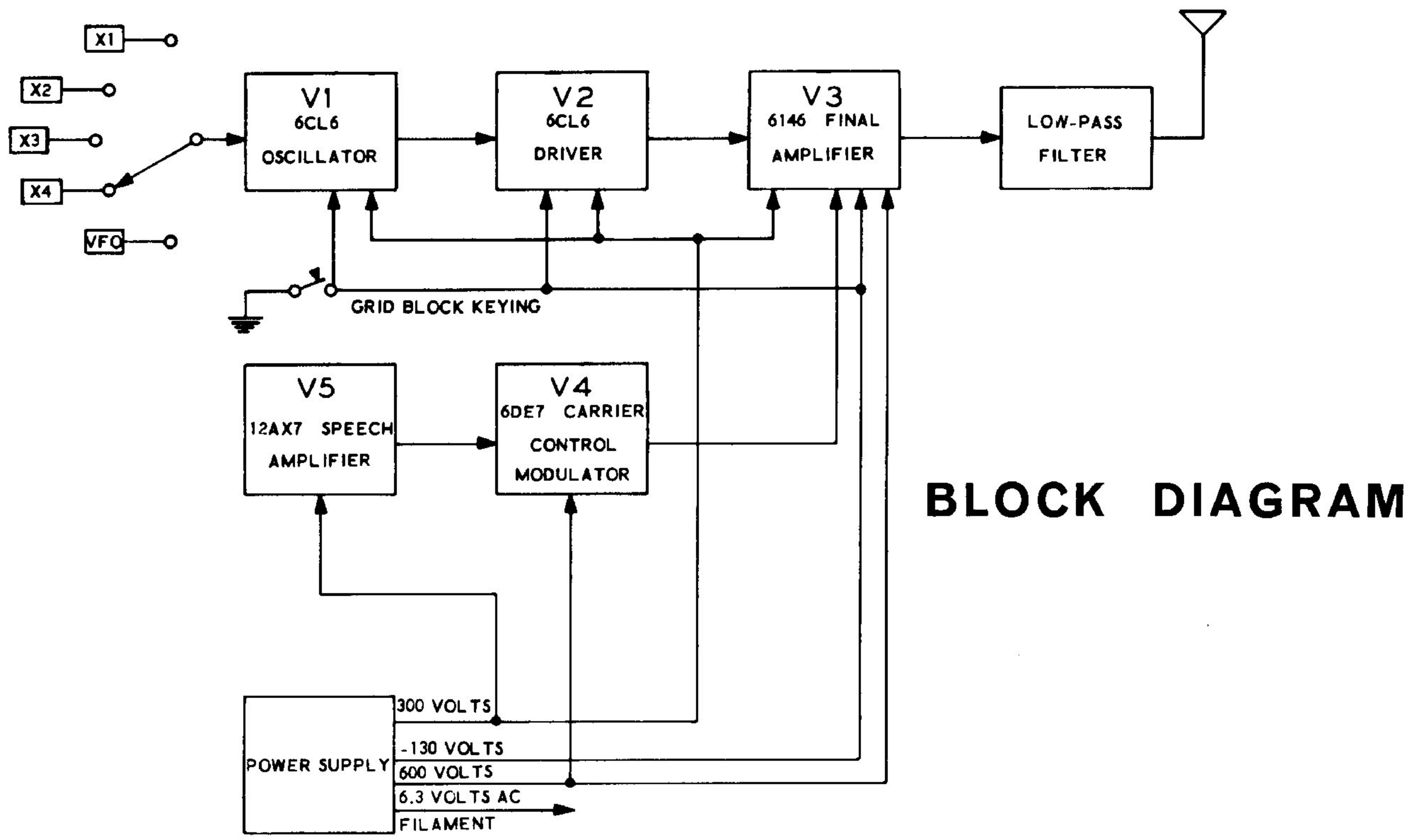
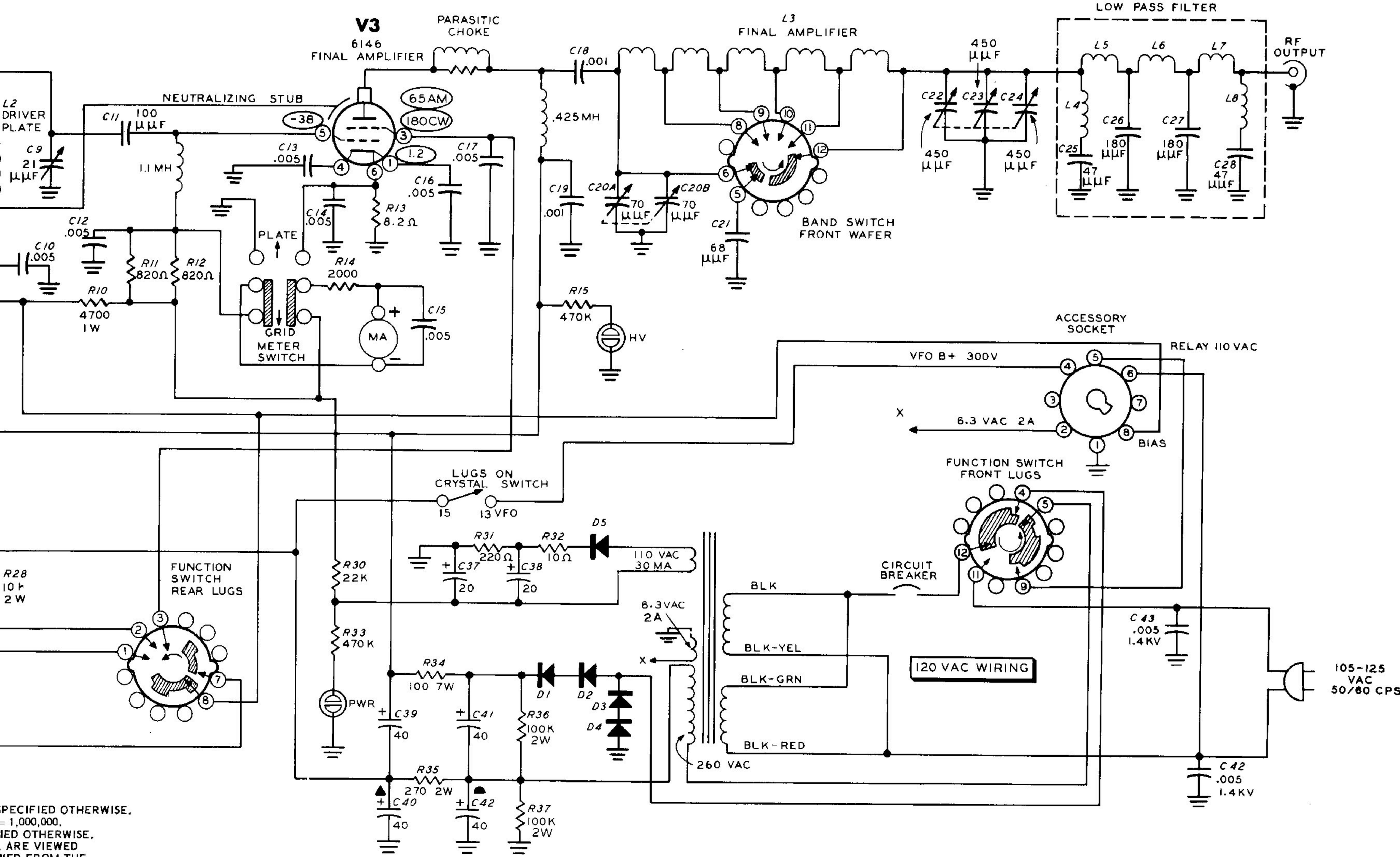


**Schematic of the HEATHKIT®
AMATEUR TRANSMITTER
Model DX - 608**

NOTES:
 ALL RESISTOR VALUES ARE 1/2 WATT UNLESS SPECIFIED OTHERWISE.
 ALL RESISTOR VALUES IN OHMS; K = 1000, MEG = 1,000,000.
 ALL CAPACITOR VALUES IN μ F UNLESS SPECIFIED OTHERWISE.
 ALL SWITCHES, EXCEPT THE CRYSTAL SWITCH, ARE VIEWED FROM THE REAR. THE CRYSTAL SWITCH IS VIEWED FROM THE SHAFT END.
 FUNCTION SWITCH SHOWN IN OFF POSITION.
 BAND SWITCH SHOWN IN 80 METER POSITION.
 ○ INDICATES VOLTAGE READINGS.
 VOLTAGES TAKEN WITH FUNCTION SWITCH IN AM POSITION.
 VOLTAGES TAKEN WITH AN 11 MEGOHM INPUT METER.
 VOLTAGE READINGS ARE DC UNLESS SPECIFIED OTHERWISE.
 VOLTAGES MAY VARY $\pm 10\%$.
 VOLTAGES TAKEN WITH DUMMY LOAD CONNECTED.



BLOCK DIAGRAM



UNLESS SPECIFIED OTHERWISE,
RESISTORS ARE IN OHMS,
CAPACITORS ARE IN MICROFARADS,
UNLESS OTHERWISE SPECIFIED.

POSITION,
METER,
OTHERWISE.
TED.

