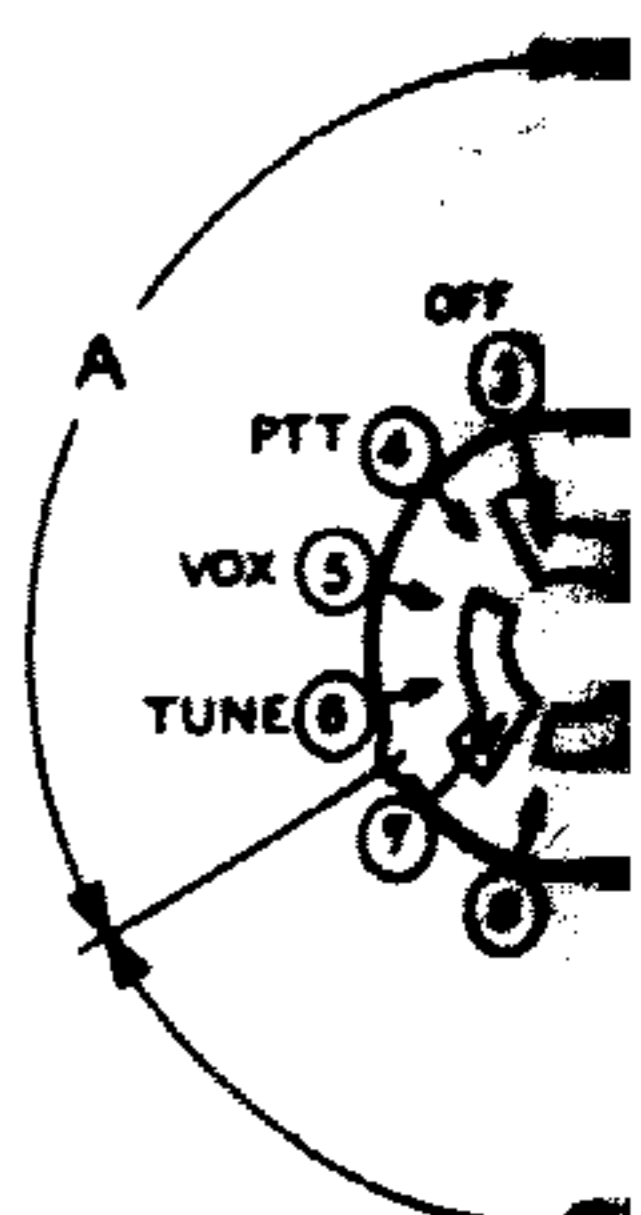
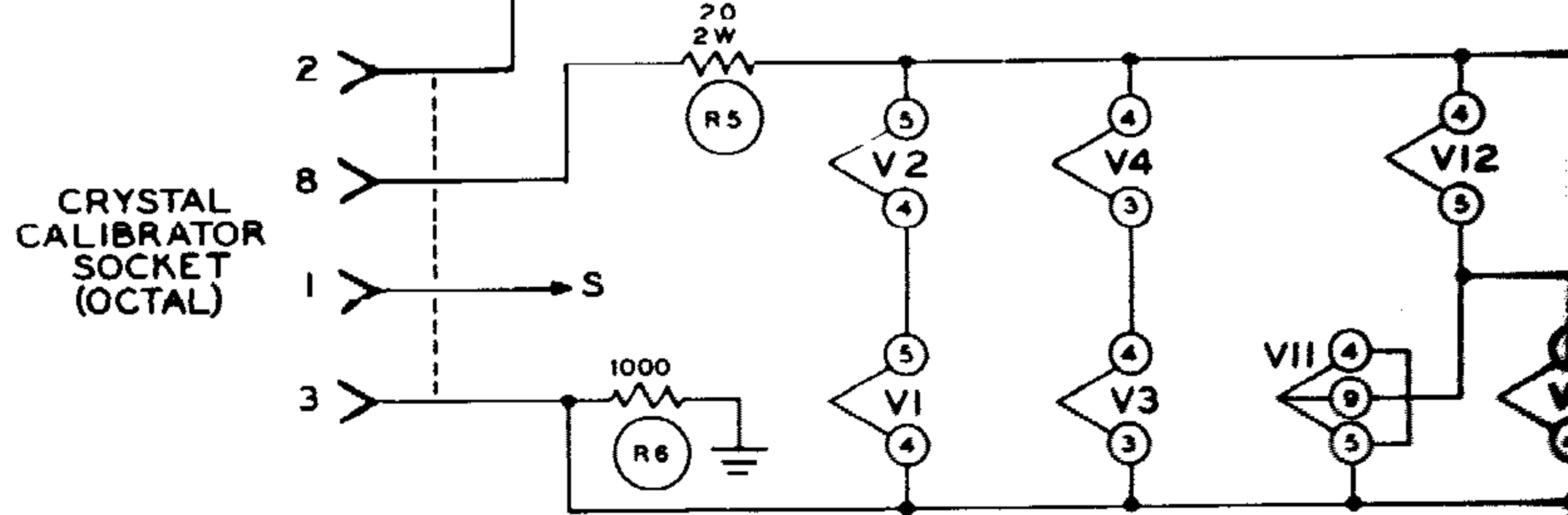
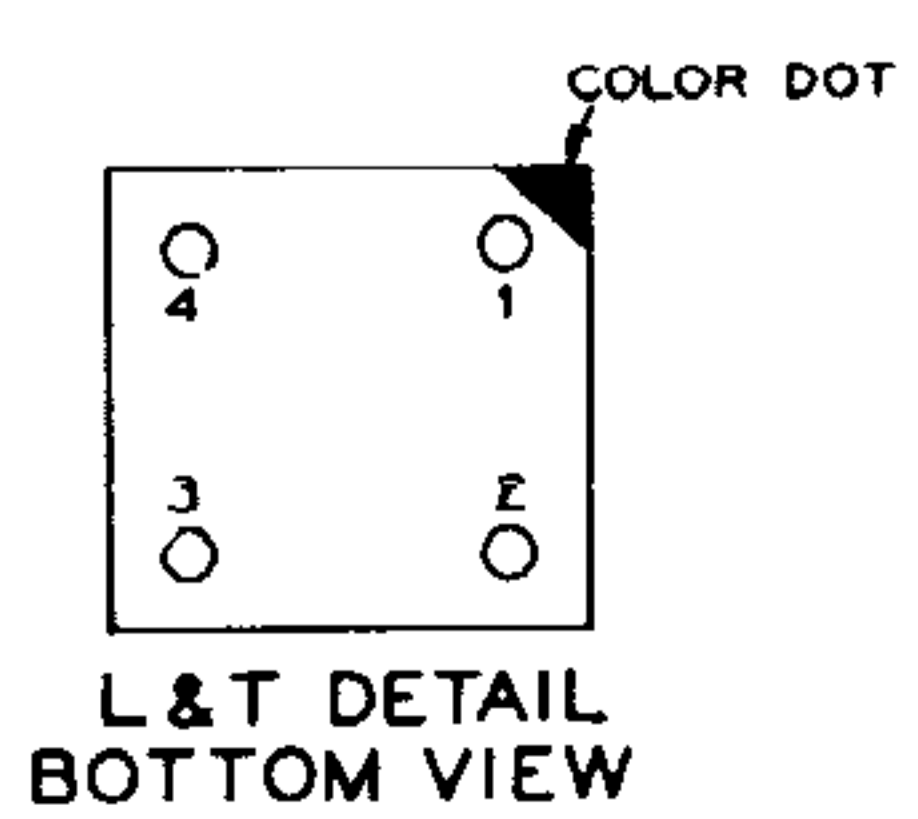
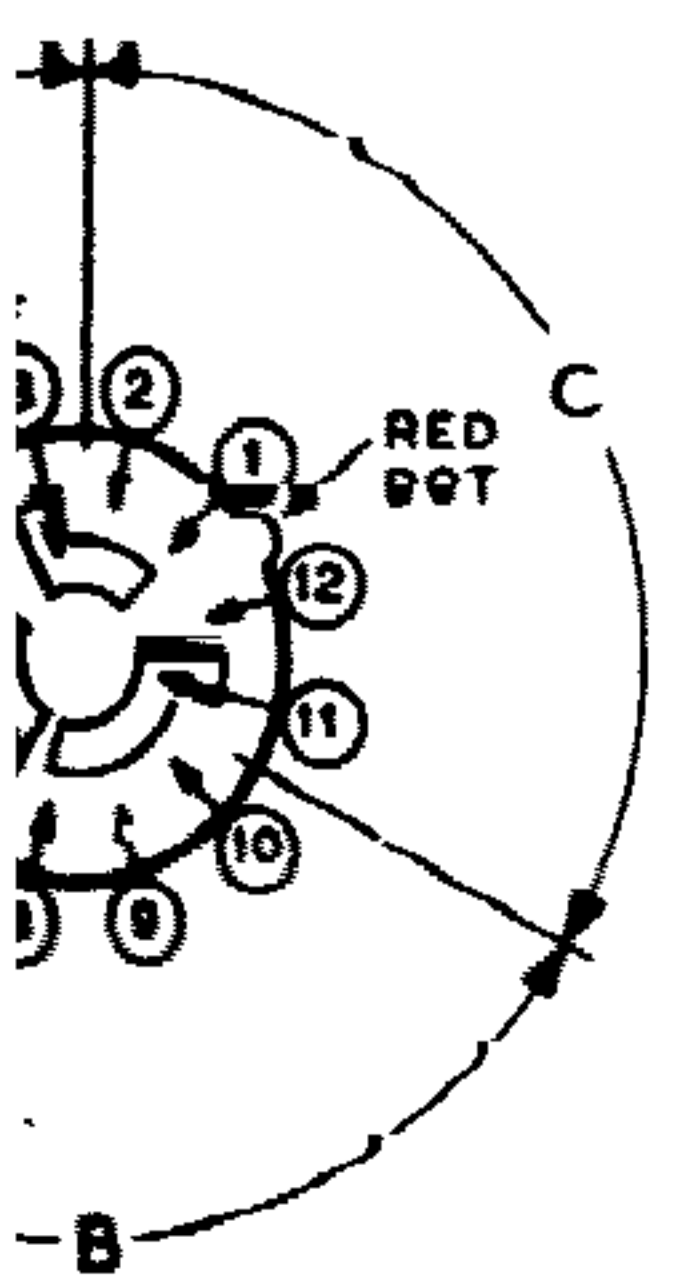
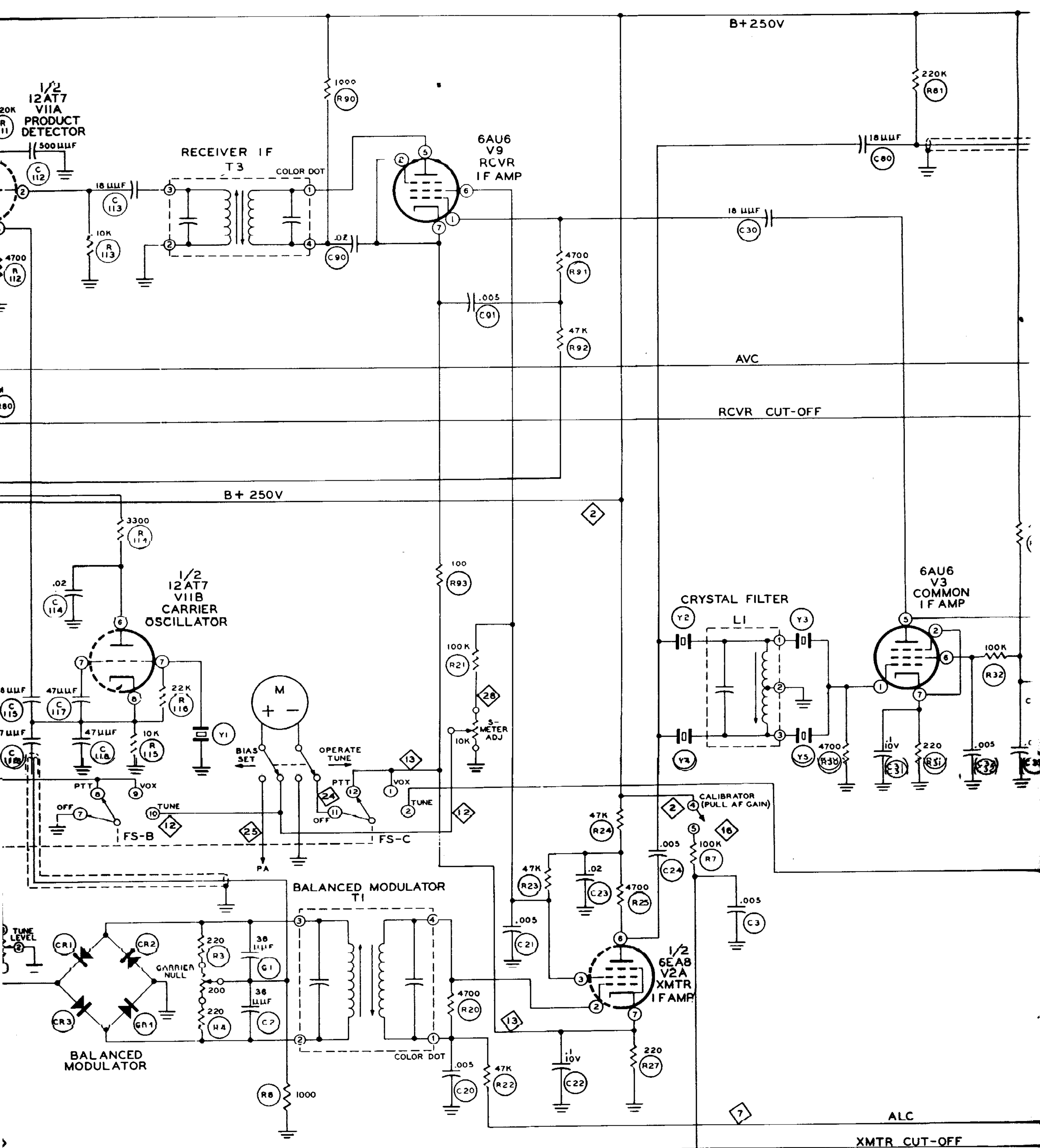
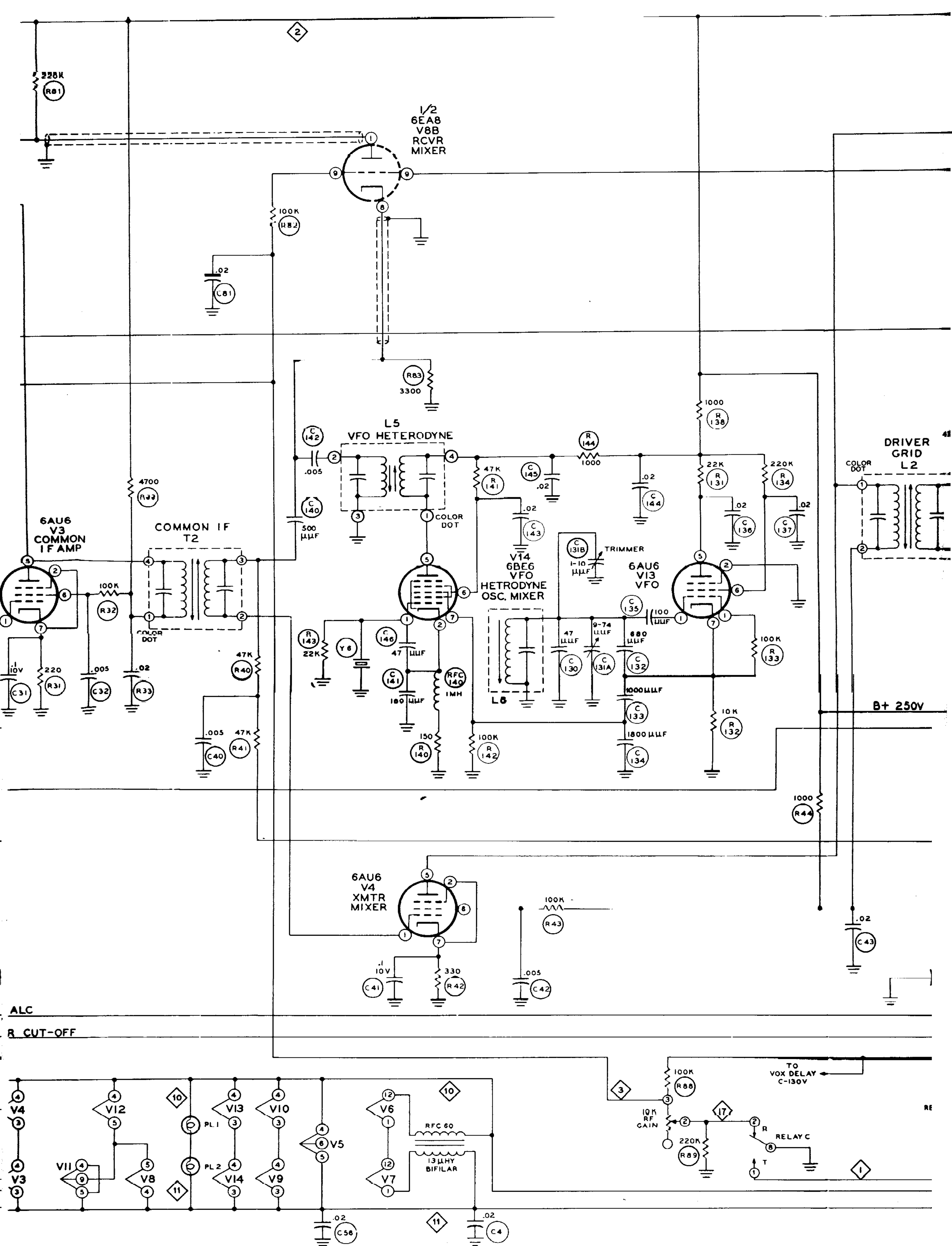


FUNCTION SWITCH (REAR VIEW)







**SCHEMATIC OF THE
HEATHKIT®
40 METER SSB TRANSCEIVER
MODEL HW-22**

NOTES:

ALL RESISTORS ARE 1/2 WATT UNLESS MARKED OTHERWISE.
ALL RESISTOR VALUES ARE IN OHMS (K=1000, MEG=1,000,000).
ALL CAPACITOR VALUES ARE IN μ F UNLESS MARKED OTHERWISE.
--- INDICATES ALTERNATE CONNECTION.
* OPTIONAL: SEE POWER SUPPLY MANUAL

