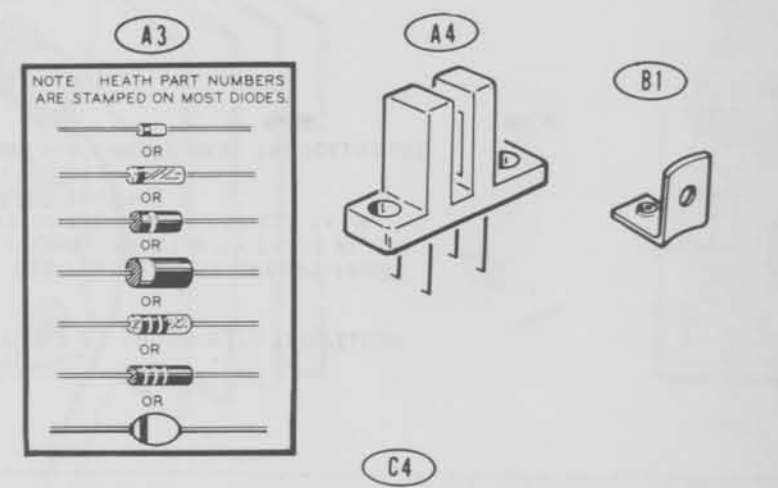
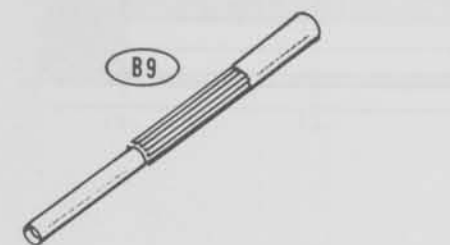
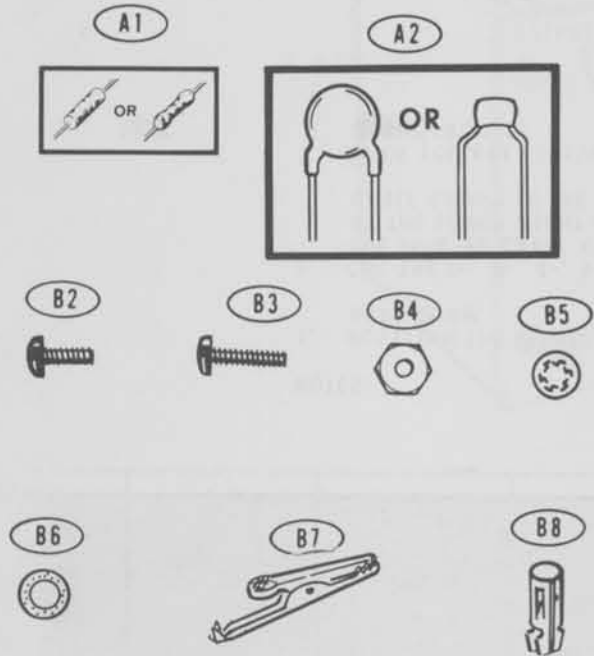


# ILLUSTRATION BOOKLET

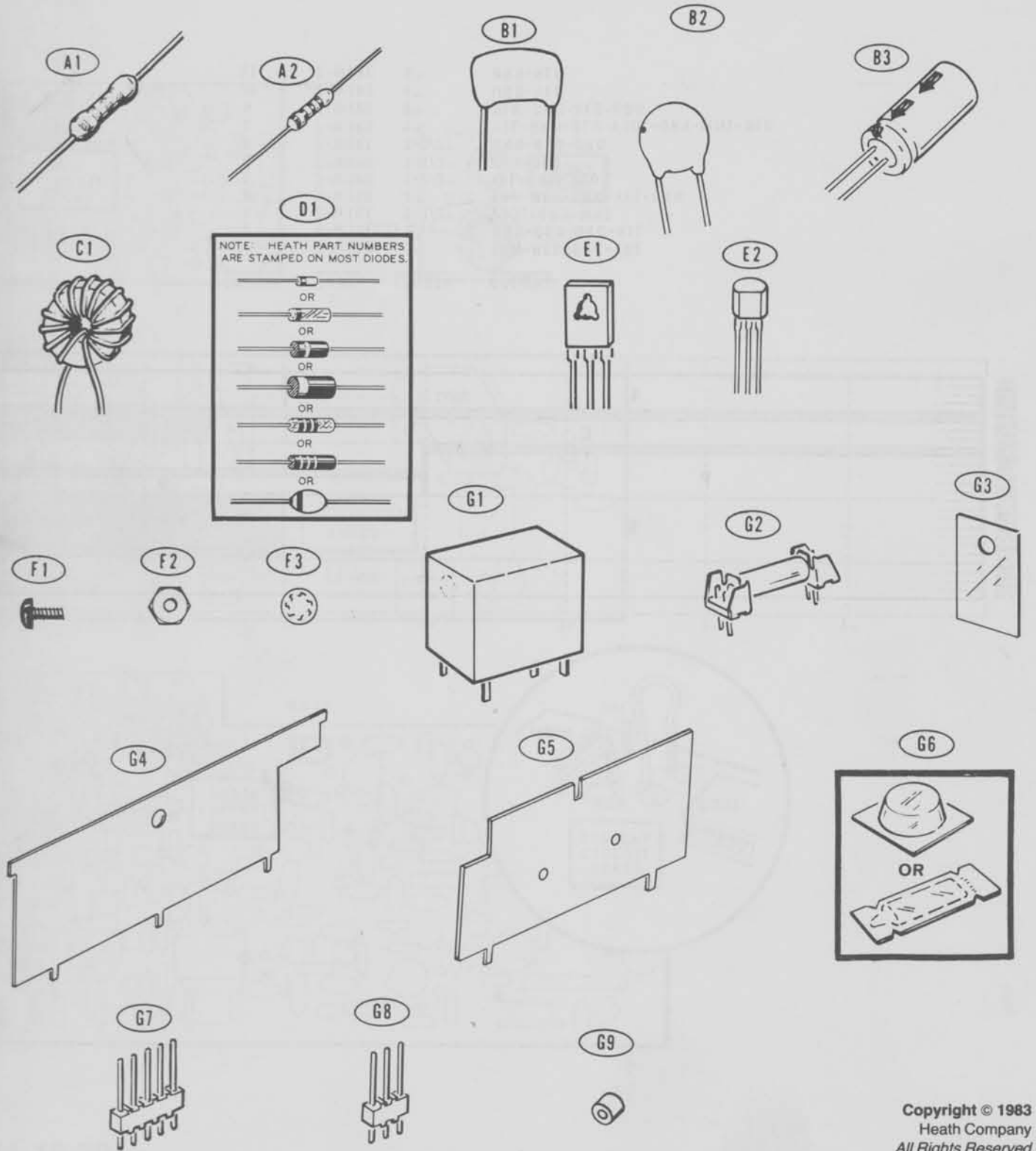
Part of 595-2891-02



## SHAFT ENCODER & RF PROBE CIRCUIT BOARD PARTS PICTORIAL

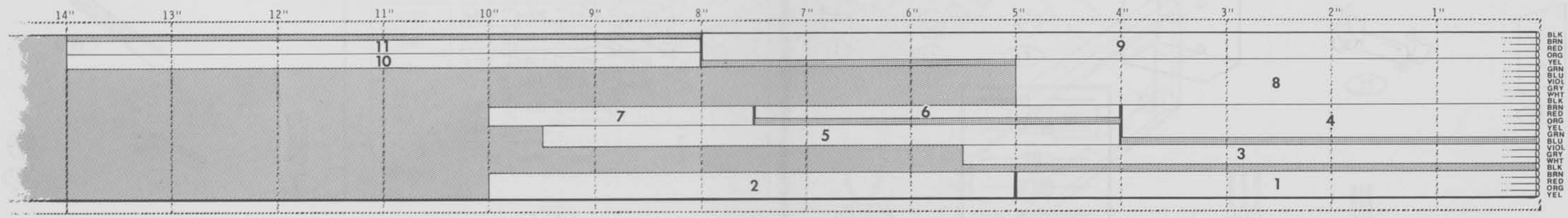


390-2363	INVR.				13.8V				12V				20V				C352				C355				C358				C362				L352				HI V.C.O.				LOW V.C.O.				C302				C305				C309				L302				C128				L105				L102				C103																																																																																																																																								
P1105	3	5	1	2	P905	1	3	1	2	P101	1	2	1	2	P102	1	2	1	2	P103	1	2	1	2	P104	1	2	1	2	P105	1	2	1	2	P106	1	2	1	2	P201	3	1	3	1	P402	3	1	3	1	P404	3	1	3	1	P405	1	3	1	3	P401	5	1	5	1	P403	5	1	5	1	P407	5	1	5	1	P408	5	1	5	1	P902	3	1	3	1	P1103	4	5	1	2	P907	1	2	1	2	P909	1	2	1	2	P911	1	2	1	2	P912	1	2	1	2	P913	1	2	1	2	P915	1	2	1	2	P917	1	2	1	2	P918	1	2	1	2	P919	1	2	1	2	P1102	1	2	1	2	P1107	1	2	1	2	P1101	3	1	3	1	P1104	3	1	3	1	P1106	3	1	3	1	P1103	1	3	1	3	P905	5	1	5	1	P908	5	1	5	1	P912	5	1	5	1	P412	5	1	5	1	P914	10	1	10	1	P702	15	1	15	1	P204	10	1	10	1	P205	10	1	10	1	P901	10	1	10	1

## FILTER CIRCUIT BOARD PARTS PICTORIAL



 SEPARATE FOR SINGLE WIRES.  
 CUT OFF THROW AWAY.



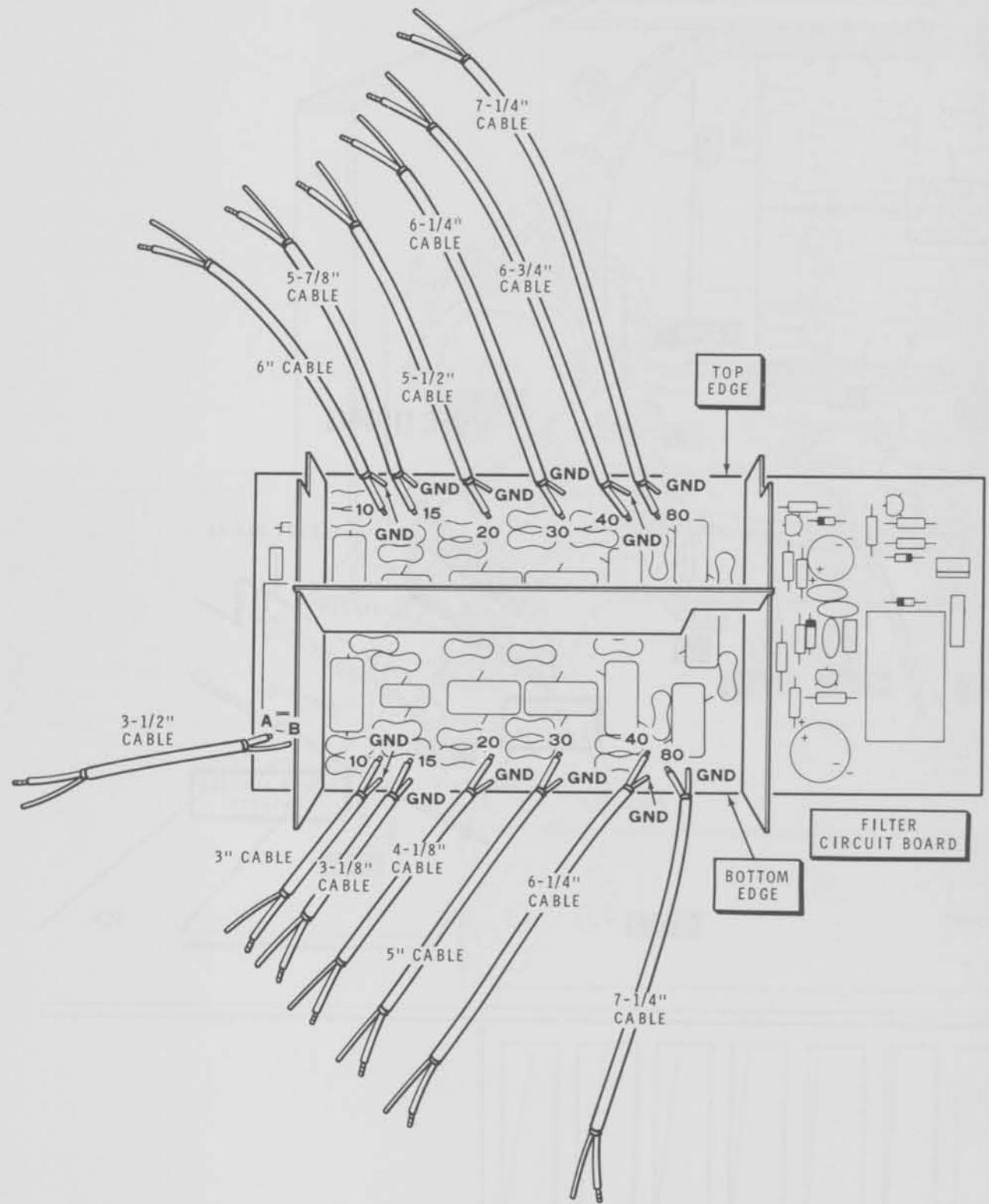
BLK  
 BRN  
 RED  
 ORG  
 YEL  
 GRN  
 BLU  
 VIOL  
 GRY  
 WHT  
 BLK  
 BRN  
 RED  
 ORG  
 YEL  
 GRN  
 BLU  
 VIOL  
 GRY  
 WHT  
 BLK  
 BRN  
 RED  
 ORG  
 YEL

NOTES:

1. POSITION THE 25-WIRE CABLE AS SHOWN WITH THE YELLOW WIRE DOWN.
2. CUT THE 2-, 3-, 4-, 5-, AND 7-WIRE CABLE GROUPS FROM THE 25-WIRE CABLE AS SHOWN. START WITH CABLE #1, AT THE LOWER RIGHT END OF THE CABLE, AND CUT EACH CABLE GROUP IN THE ORDER SHOWN.
3. WHEN YOU ARE FINISHED, YOU SHOULD HAVE THE FOLLOWING CABLE GROUPS:

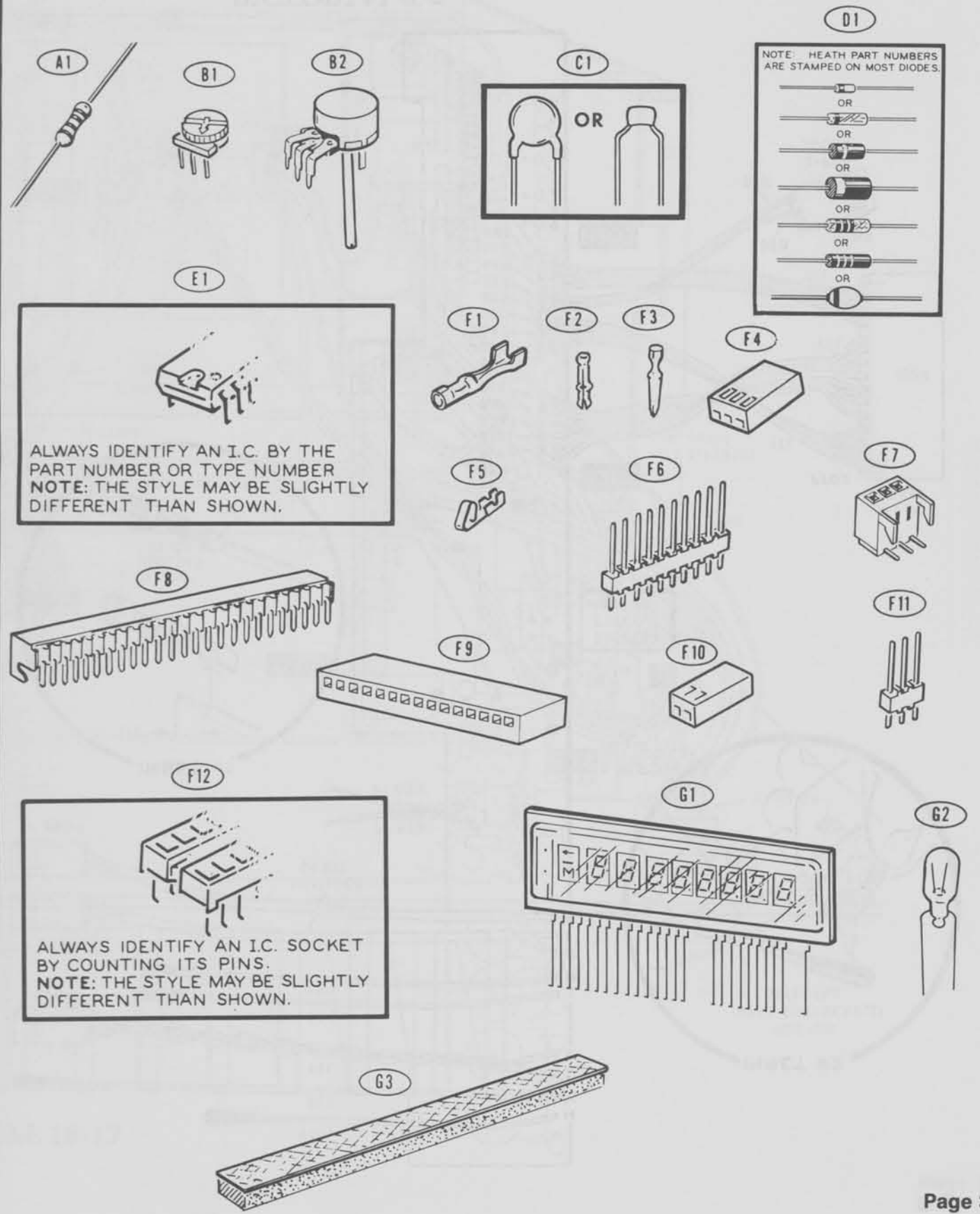
GROUP	TYPE	LENGTH	COLORS
1	4-WIRE	5"	BRN-RED-ORG-YEL
2	4-WIRE	5"	BRN-RED-ORG-YEL
3	3-WIRE	5-1/2"	VIOL-GRY-WHT
4	5-WIRE	4"	BRN-RED-ORG-YEL-GRN
5	3-WIRE	5-1/2"	YEL-GRN-BLU
6	2-WIRE	3-1/2"	BRN-RED
7	3-WIRE	2-1/2"	BRN-RED-ORG
8	7-WIRE	5"	YEL-GRN-BLU-VIOL-GRY-WHT-BLK
9	4-WIRE	8"	BLK-BRN-RED-ORG
10	2-WIRE	6"	ORG-YEL
11	2-WIRE	6"	BRN-RED

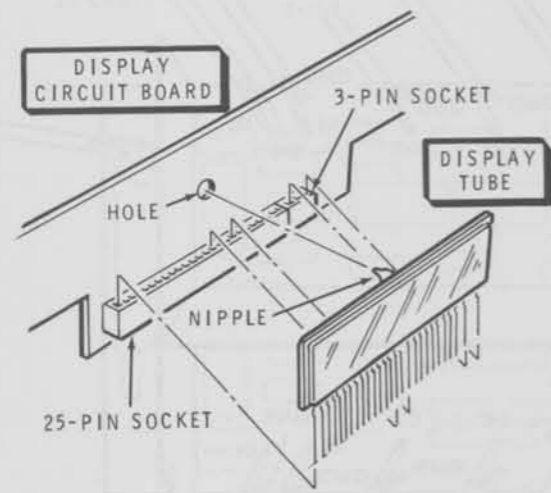
Detail 1-4A



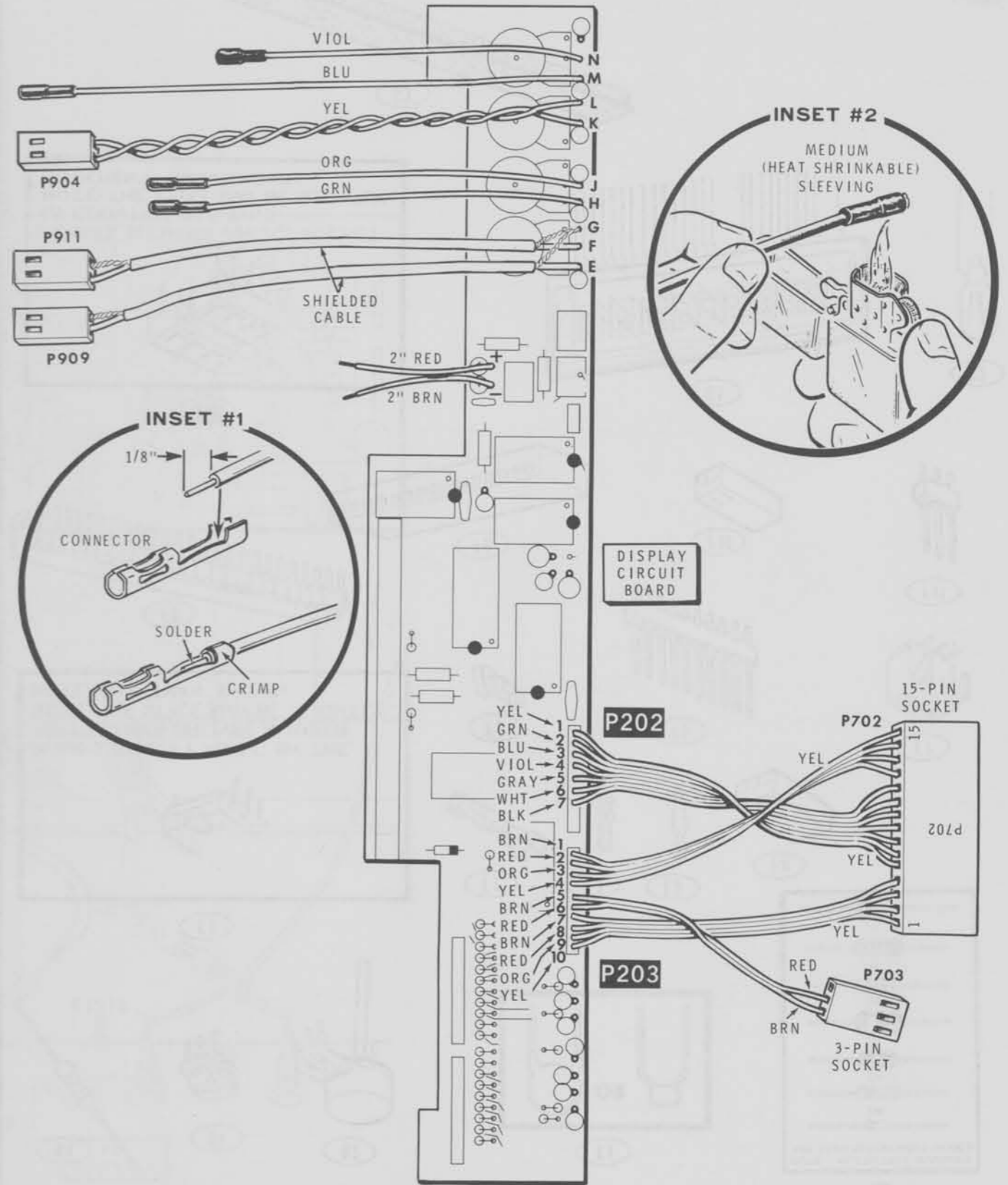
PICTORIAL 2-7

### DISPLAY CIRCUIT BOARD PARTS PICTORIAL

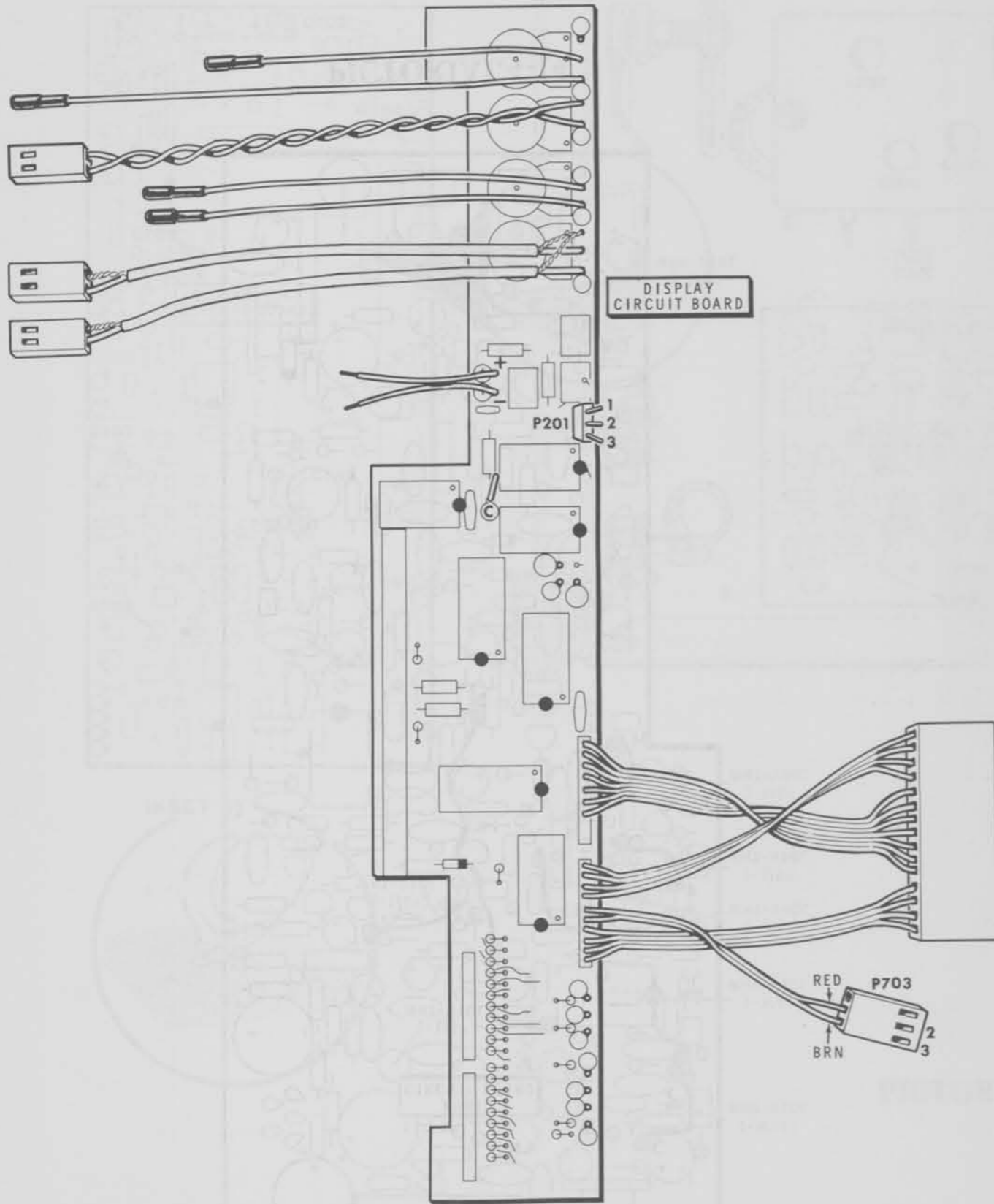




Detail 3-5A

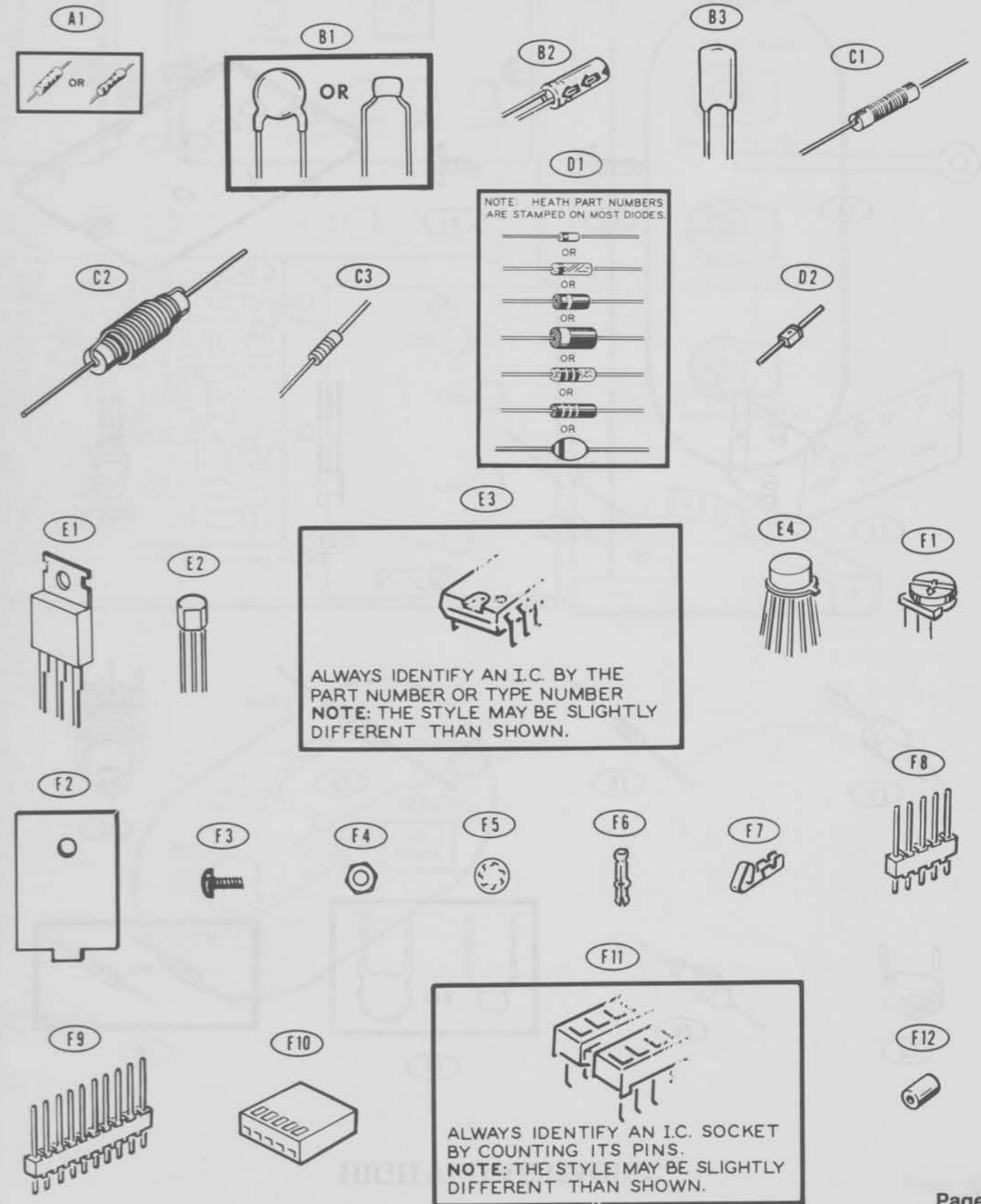


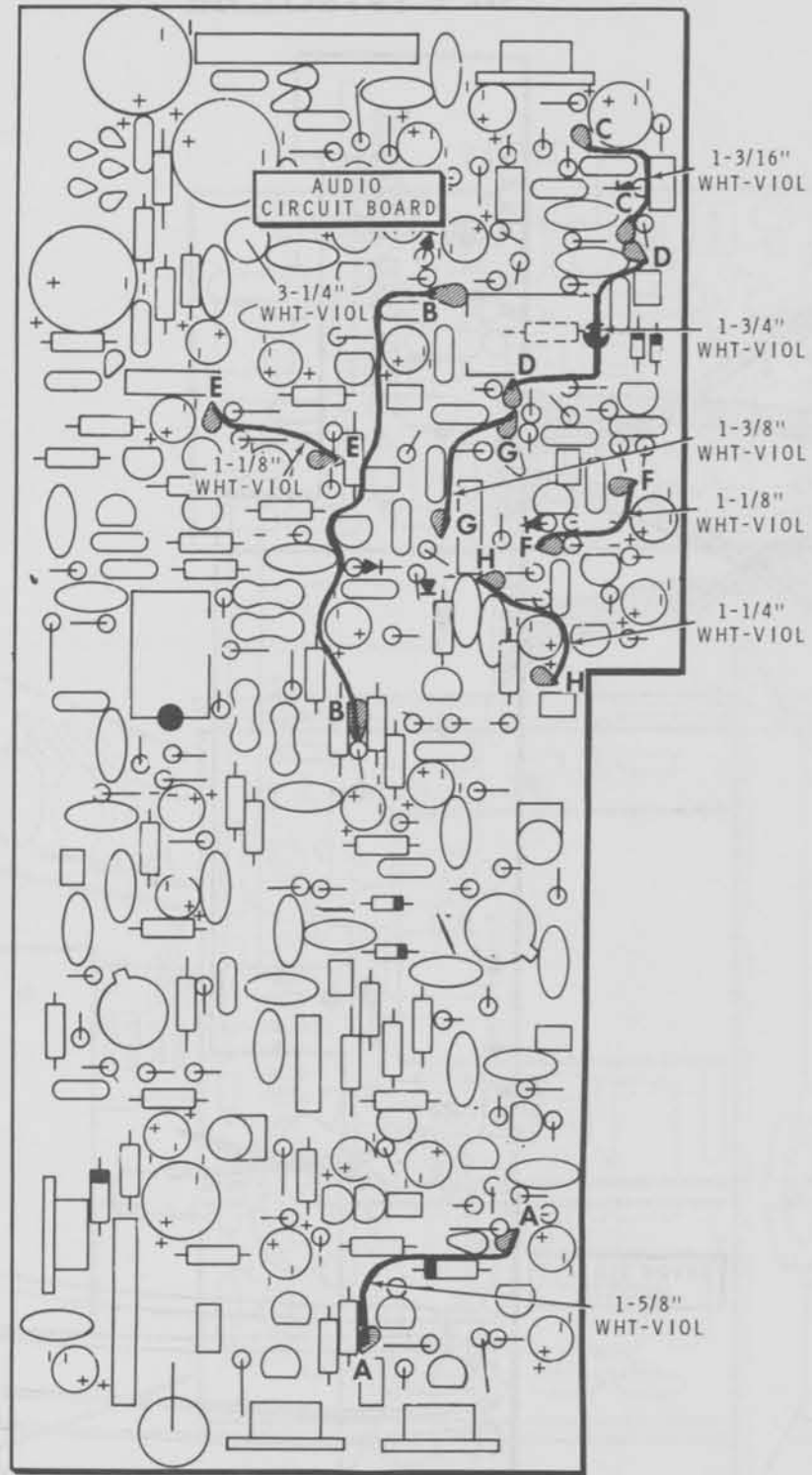
PICTORIAL 3-8



PICTORIAL 3-10

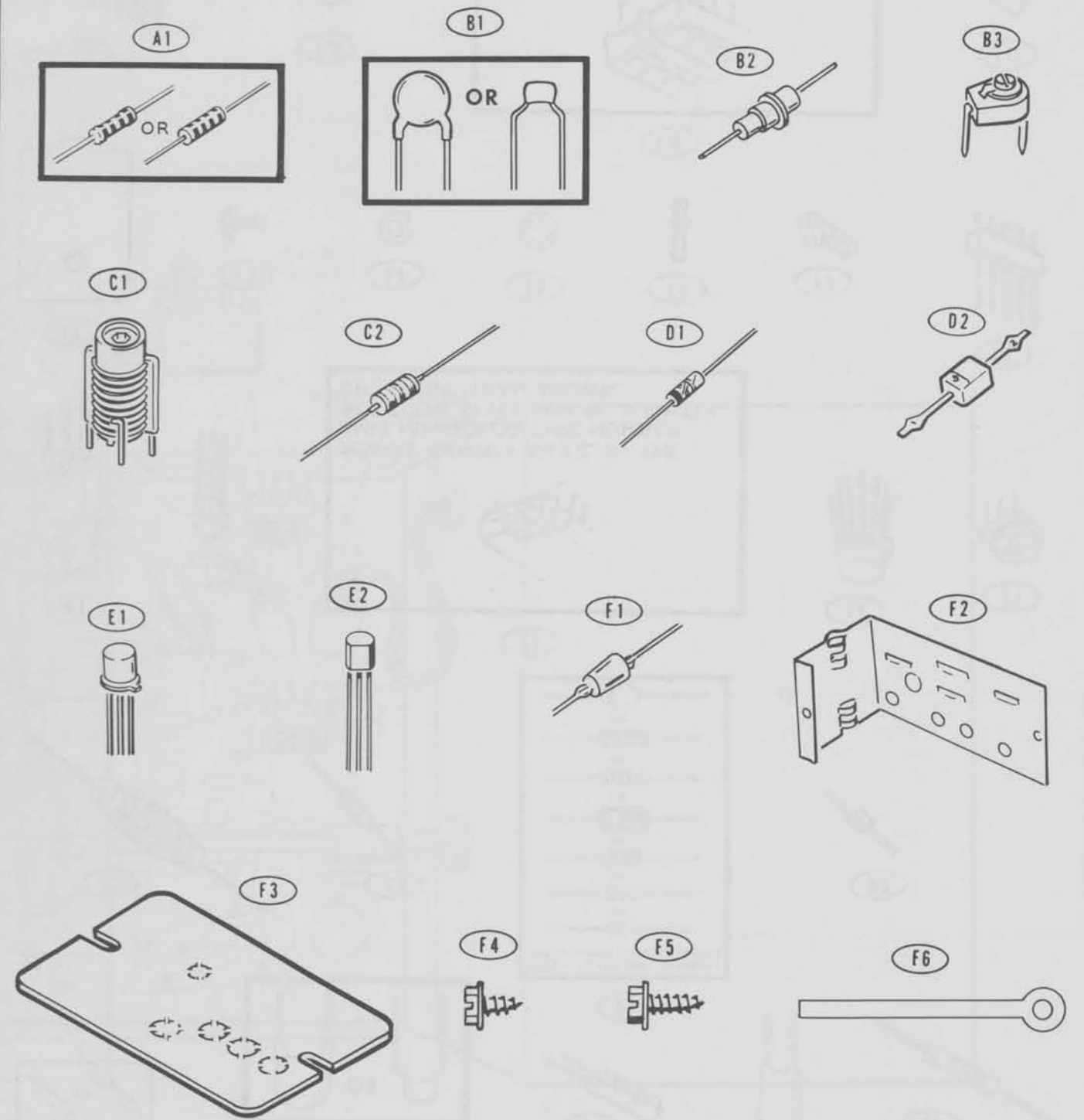
## AUDIO CIRCUIT BOARD



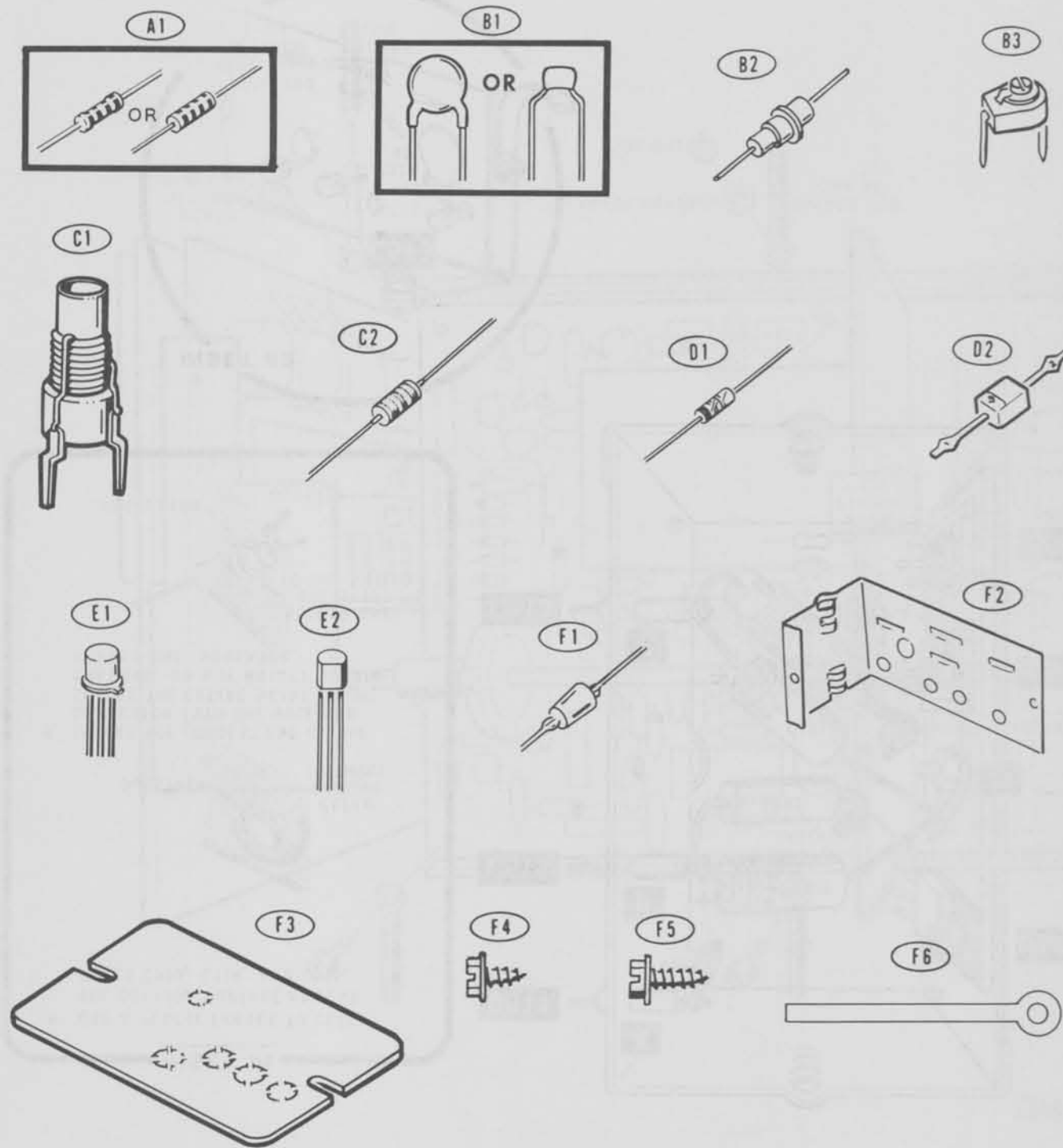


PICTORIAL 4-14

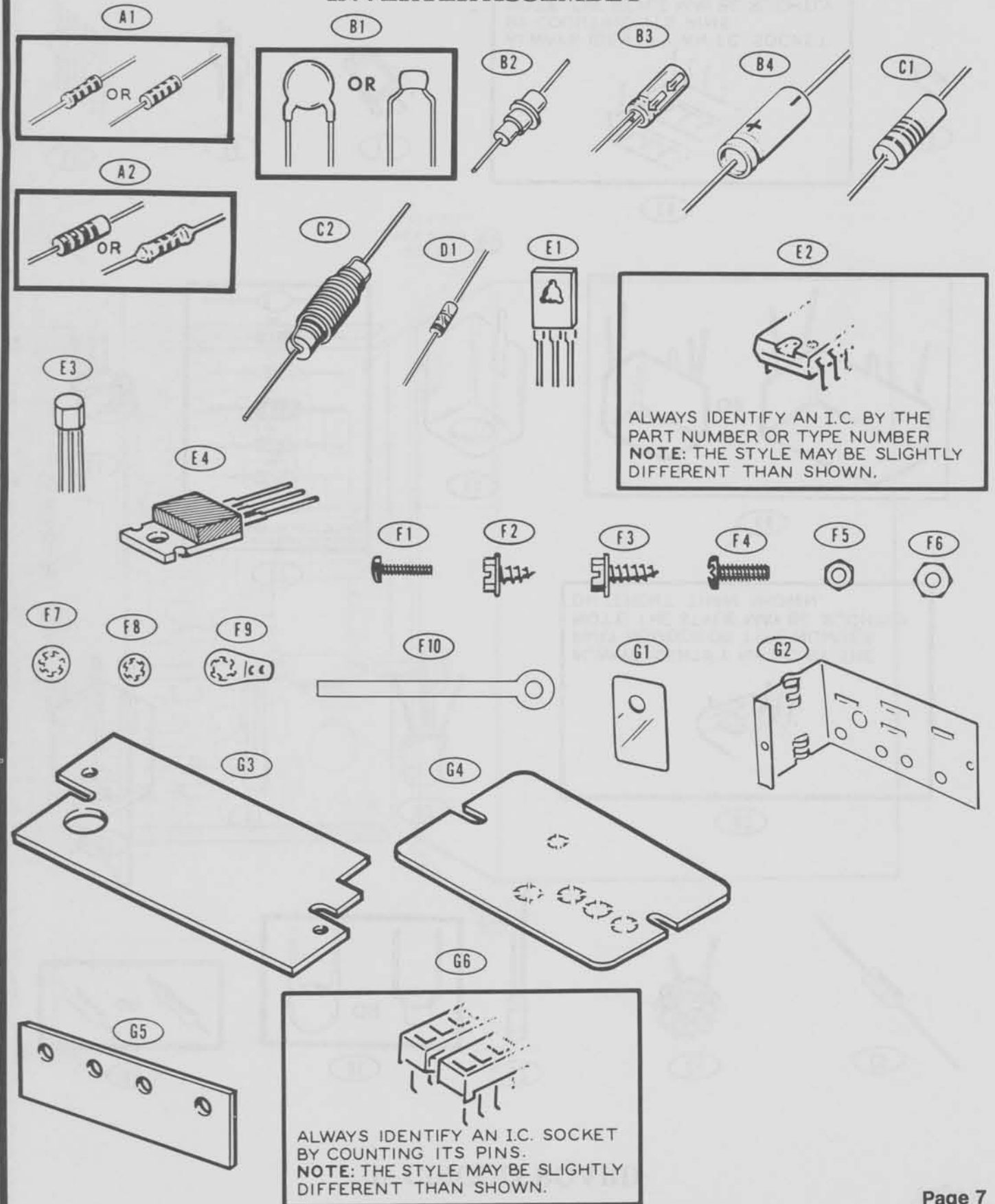
### HIGH VCO ASSEMBLY



## LOW VCO ASSEMBLY




## INVERTER ASSEMBLY



IF CIRCUIT BOARD

**INSET #1**

A. USE A PENCIL ERASER TO CLEAN THE OUTSIDE SURFACE AROUND HOLES C513, C514, AND C515.



CLEAN AROUND THE HOLE

OUTSIDE

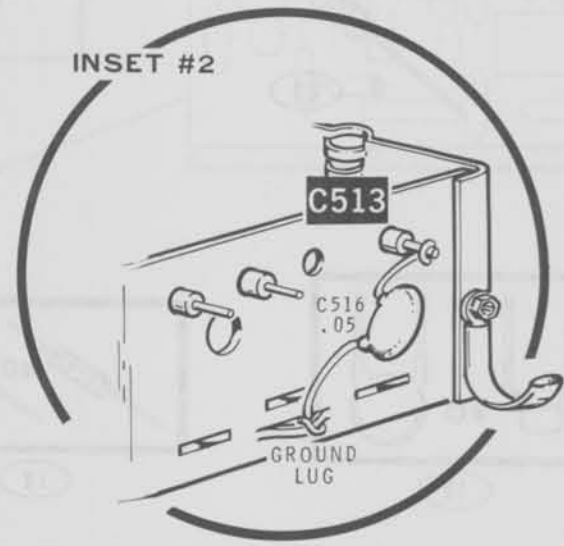
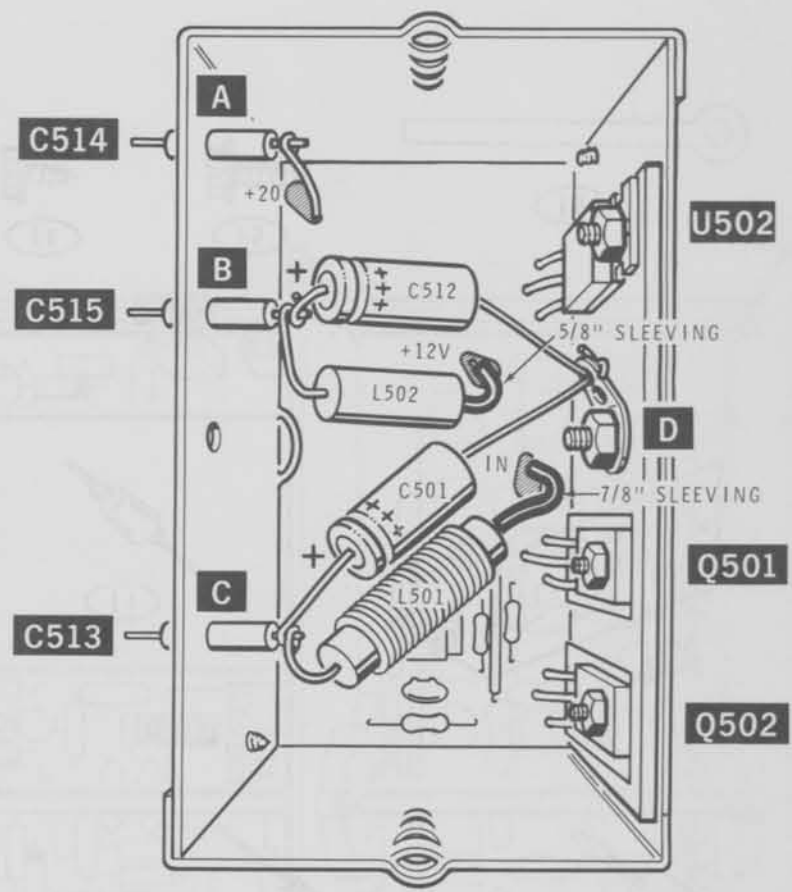
B. INSERT THE LONGEST END OF THE CAPACITOR INTO THE HOLE AND SOLDER THE ENTIRE SKIRT TO THE CHASSIS. DO NOT BRIDGE SOLDER ACROSS THE INSULATOR.



SOLDER ONLY THE SKIRT TO THE SHIELD

INSULATOR

OUTSIDE



PICTORIAL 7-5

A1 OR A2

B1 OR B2

B2

C1

C2

C3

D1

D2

D3

E1

E2

E3

E4

E5

E6

E7

E8

E9

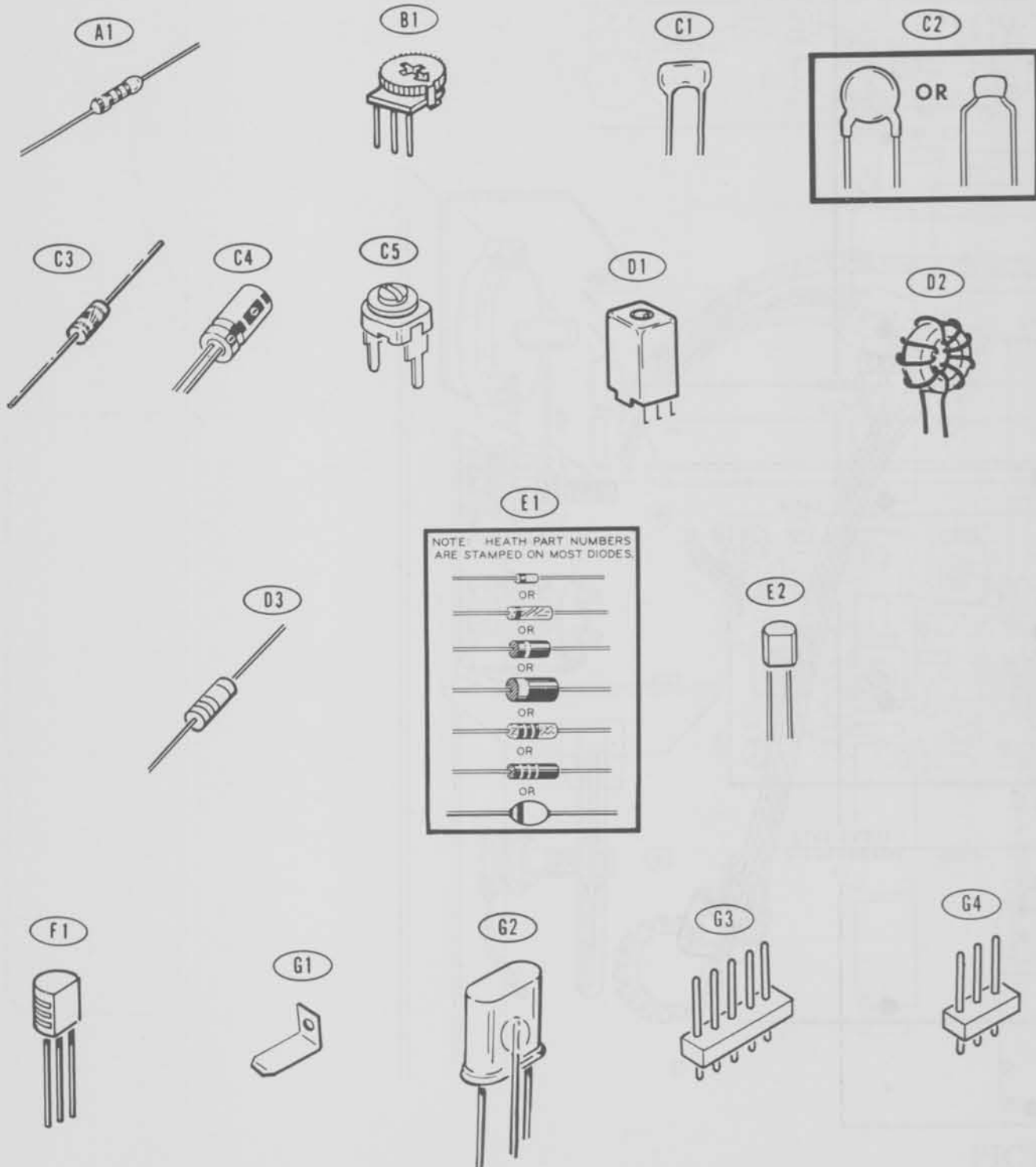
NOTE: HEATH PART NUMBERS ARE STAMPED ON MOST DIODES.

ALWAYS IDENTIFY AN I.C. BY THE PART NUMBER OR TYPE-NUMBER  
NOTE: THE STYLE MAY BE SLIGHTLY DIFFERENT THAN SHOWN.

ALWAYS IDENTIFY AN I.C. SOCKET BY COUNTING ITS PINS.  
NOTE: THE STYLE MAY BE SLIGHTLY DIFFERENT THAN SHOWN.

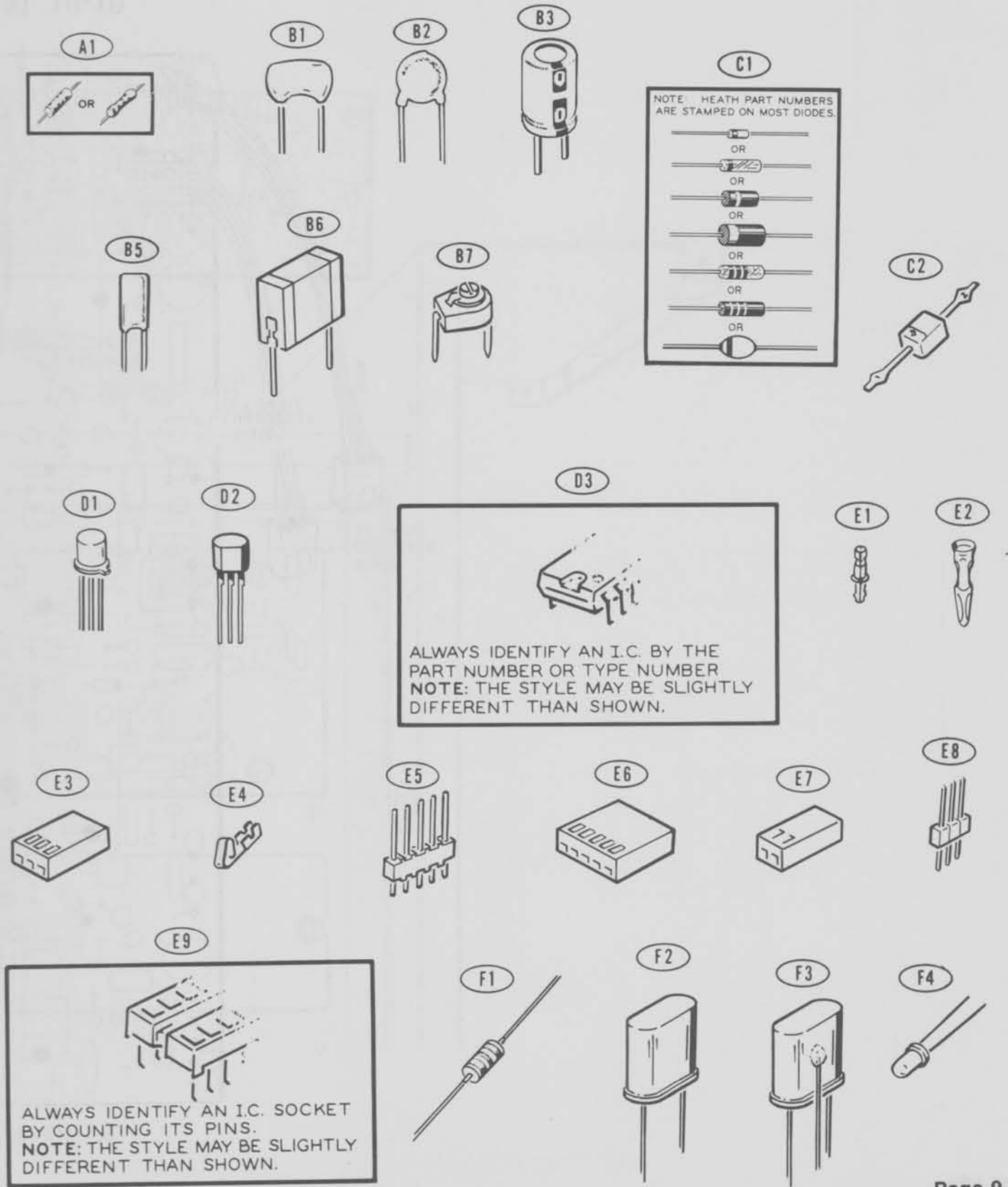


# BFO CIRCUIT BOARD



NOTE: HEATH PART NUMBERS ARE STAMPED ON MOST DIODES.

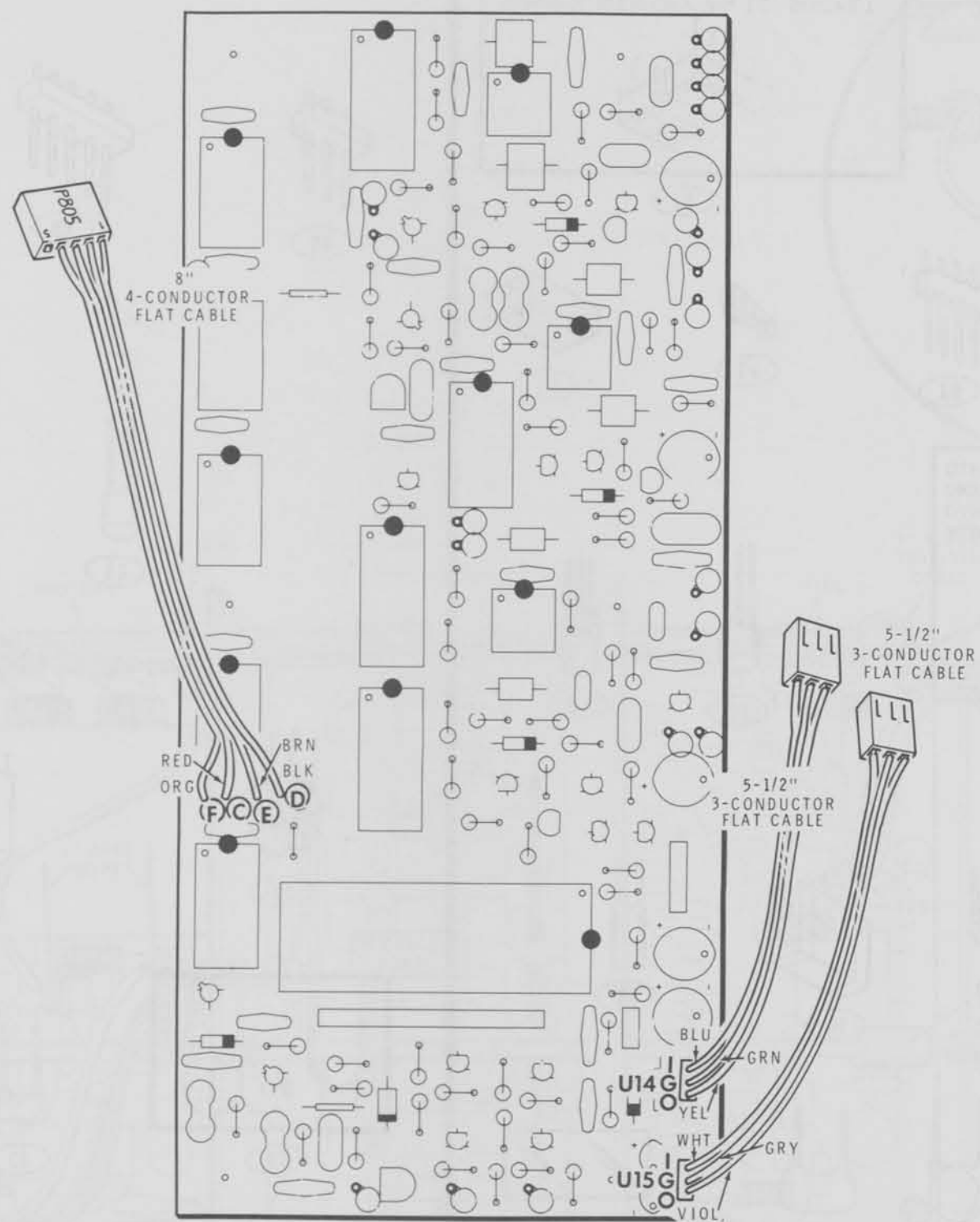
# CONTROLLER CIRCUIT BOARD



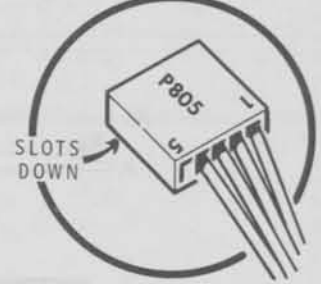
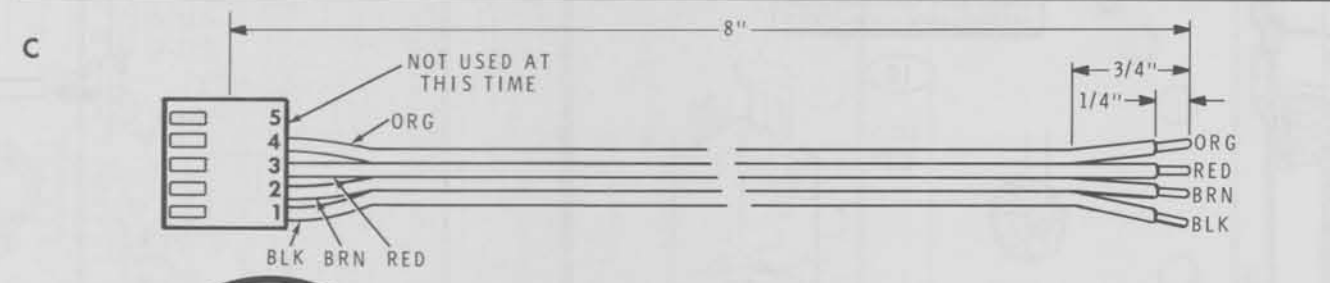
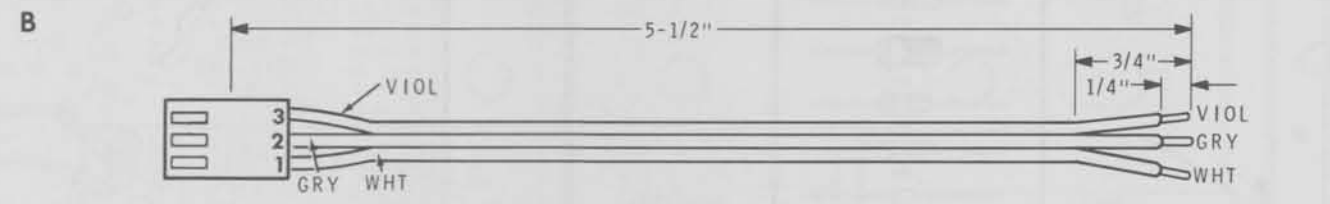
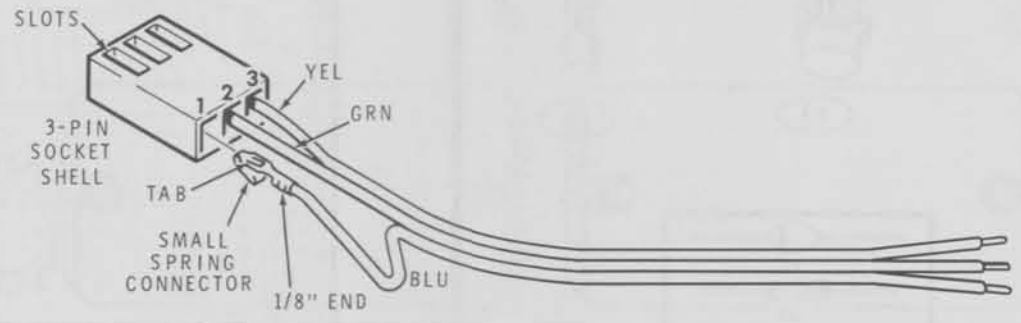
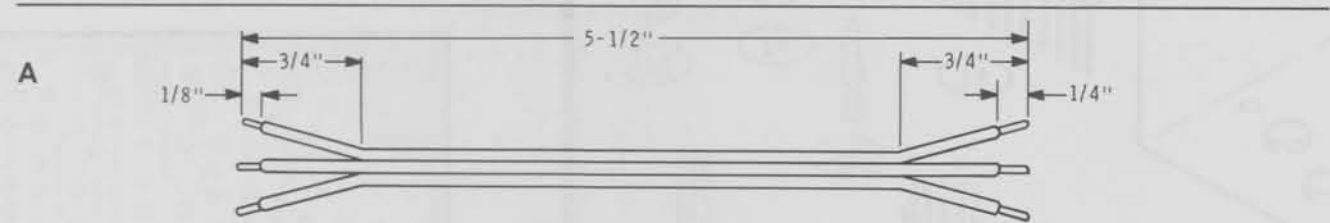
NOTE: HEATH PART NUMBERS ARE STAMPED ON MOST DIODES.

**D3**  
 ALWAYS IDENTIFY AN I.C. BY THE PART NUMBER OR TYPE NUMBER  
 NOTE: THE STYLE MAY BE SLIGHTLY DIFFERENT THAN SHOWN.

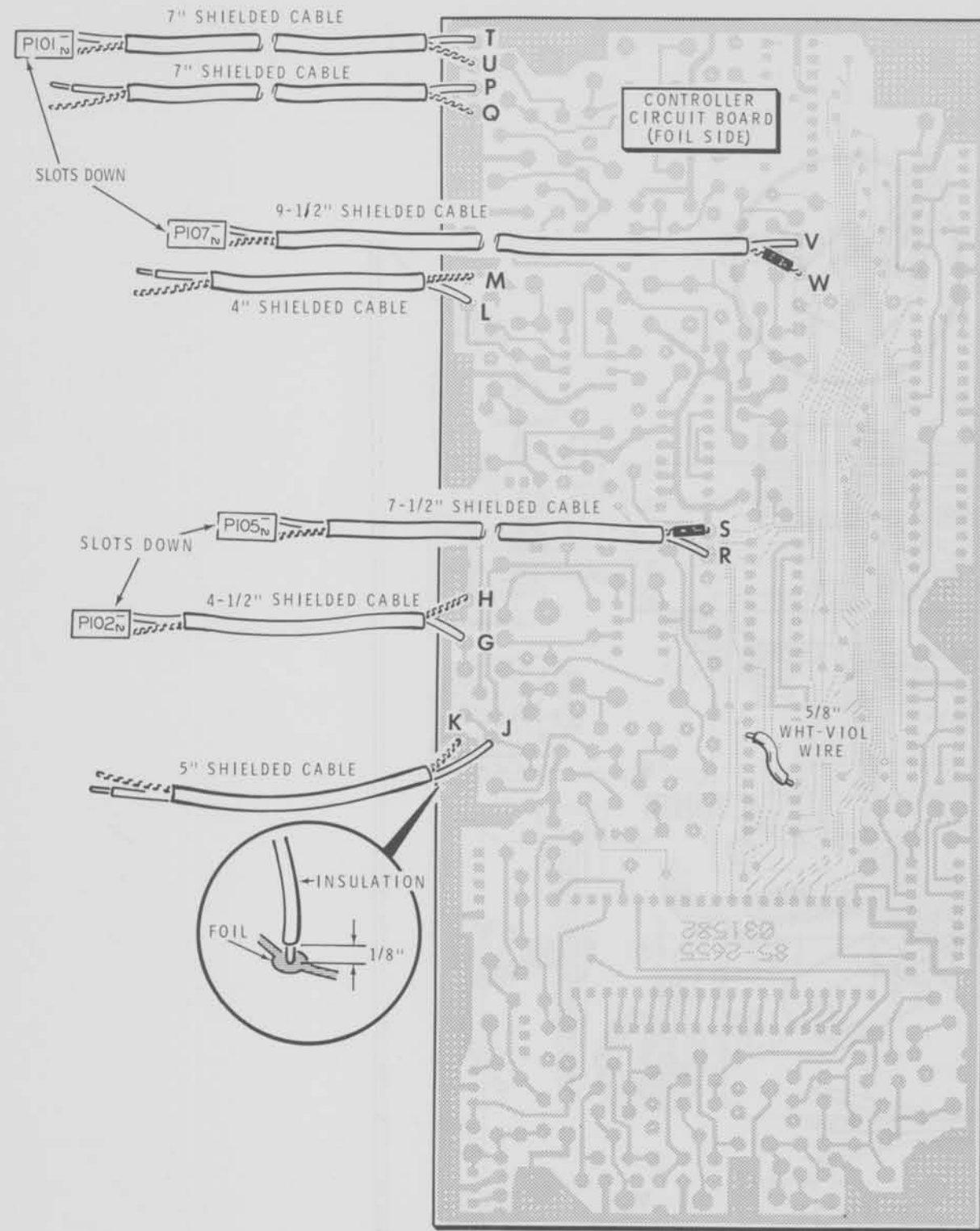
**E9**  
 ALWAYS IDENTIFY AN I.C. SOCKET BY COUNTING ITS PINS.  
 NOTE: THE STYLE MAY BE SLIGHTLY DIFFERENT THAN SHOWN.



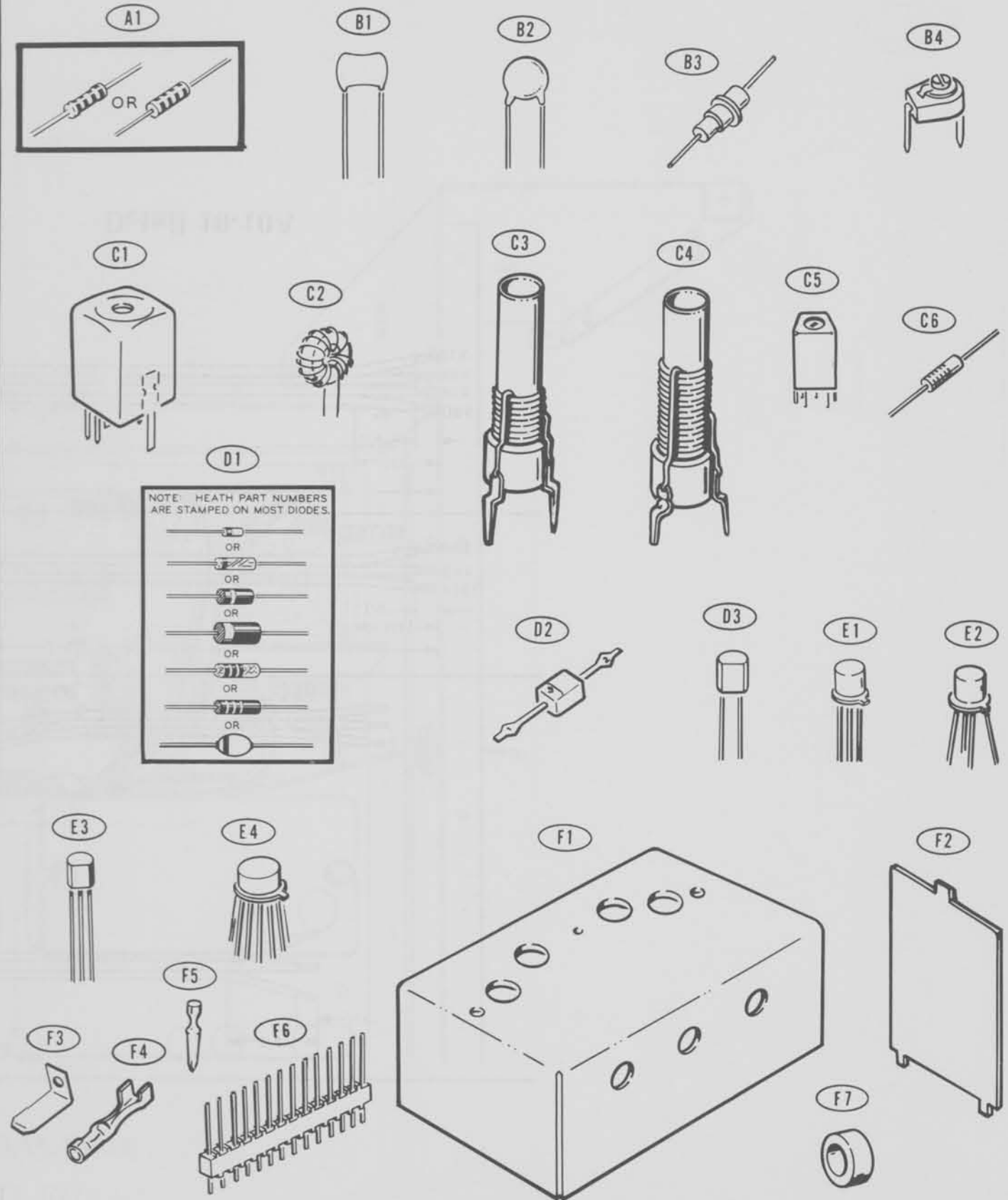
PICTORIAL 10-10



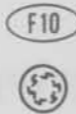
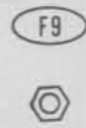
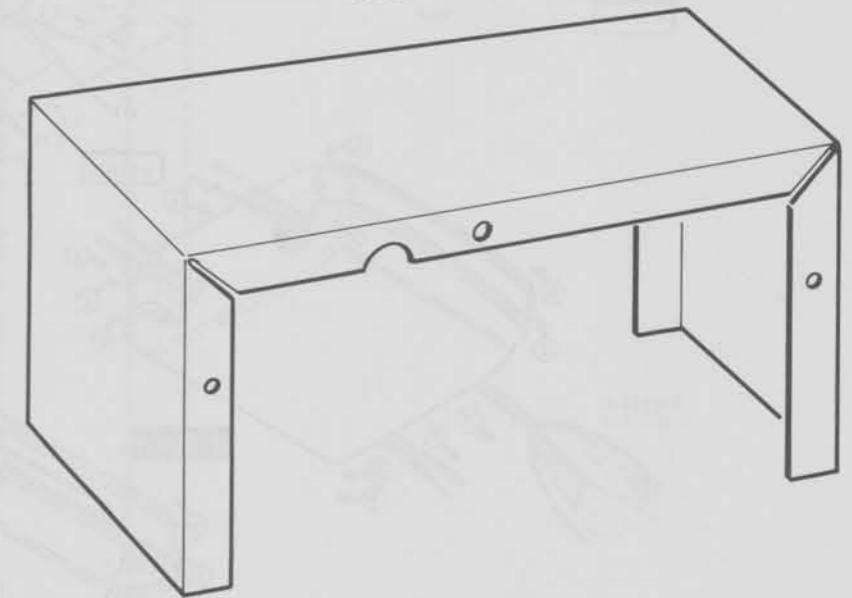
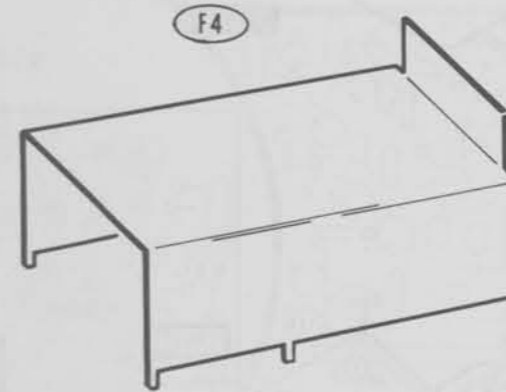
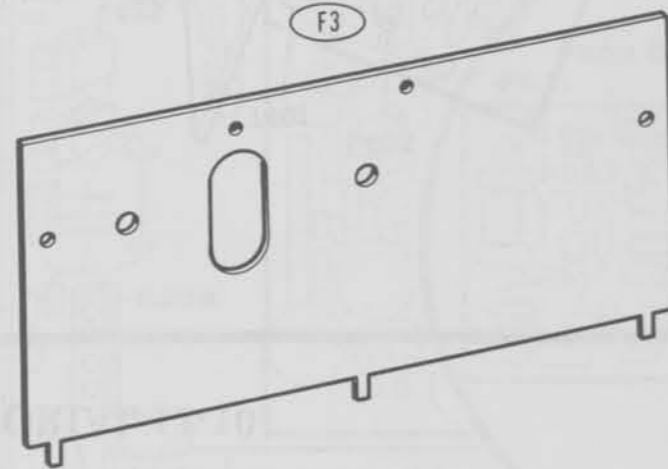
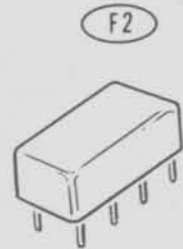
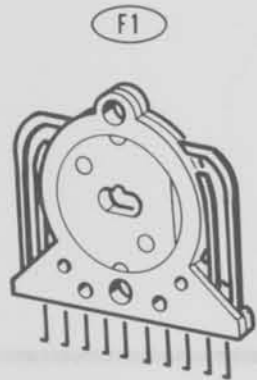
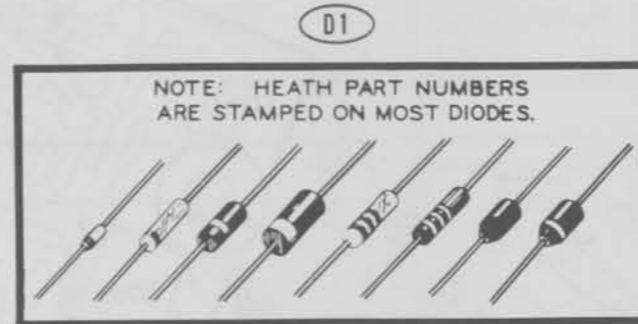
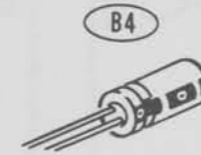
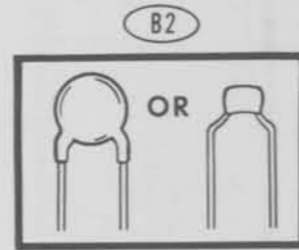
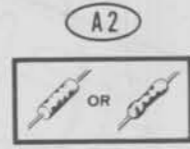
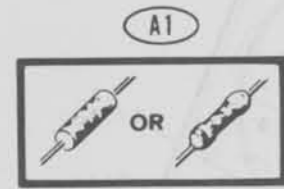
**Detail 10-10A**

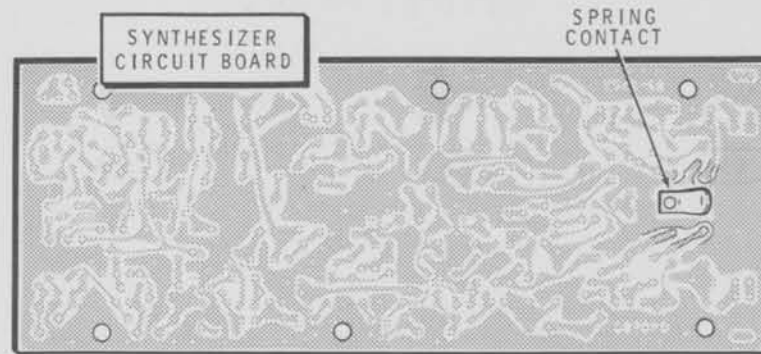


PICTORIAL 10-11

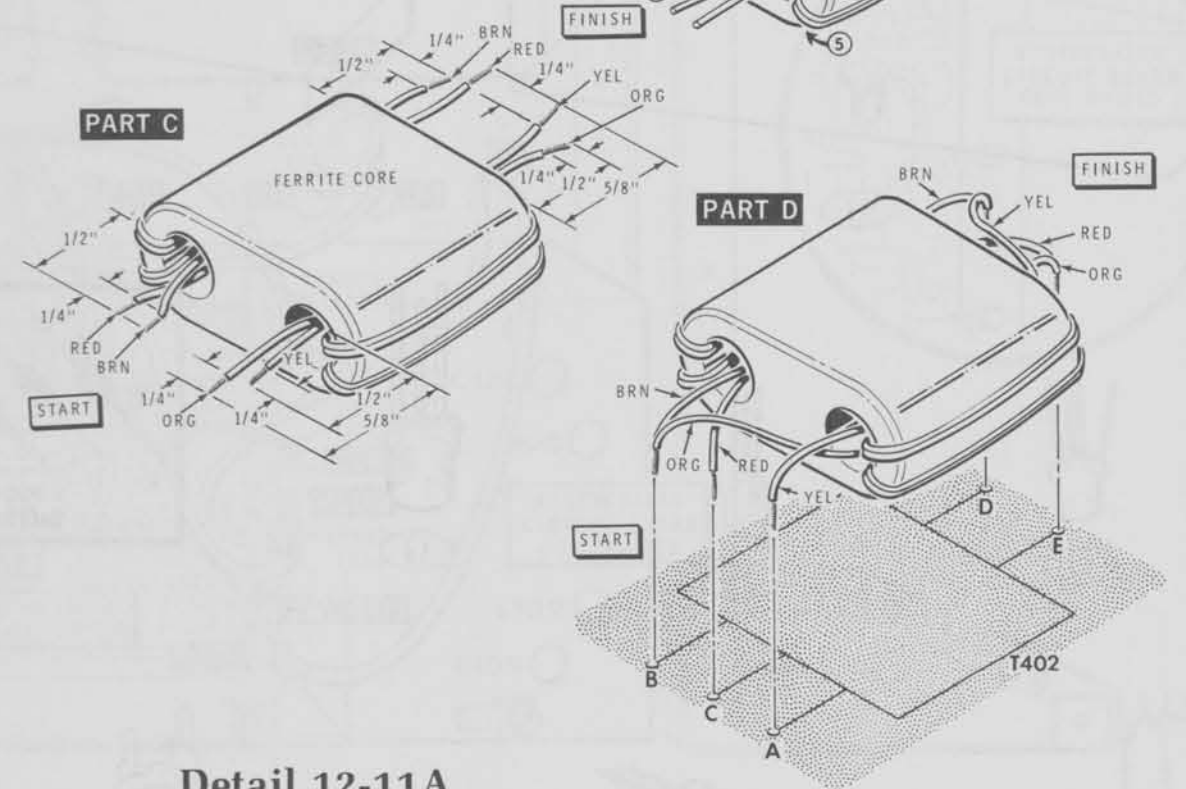
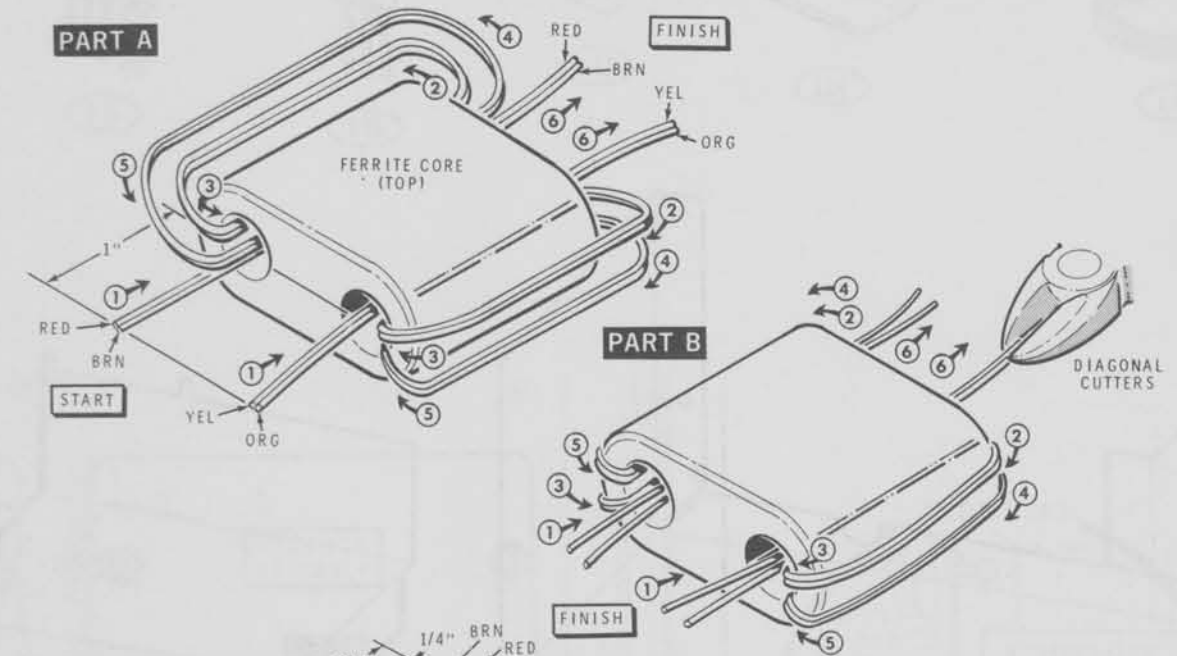


# RF CIRCUIT BOARD

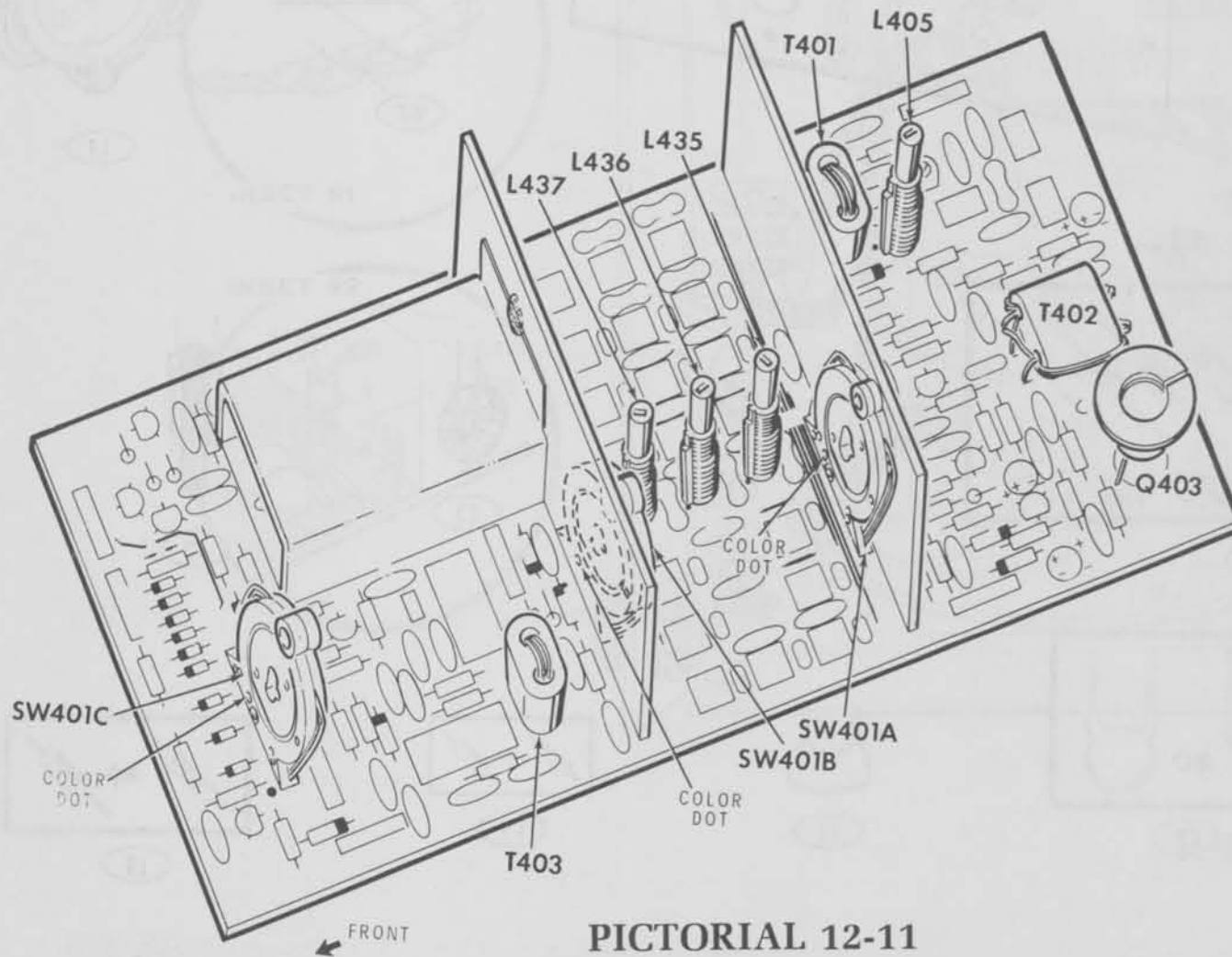




PICTORIAL 11-10



Detail 12-11A

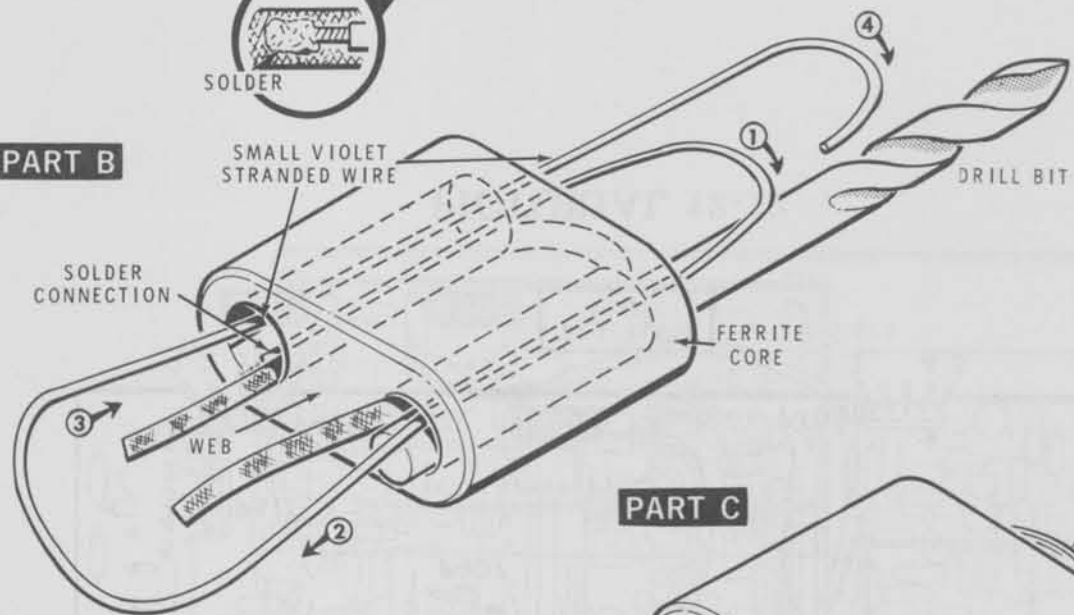


PICTORIAL 12-11

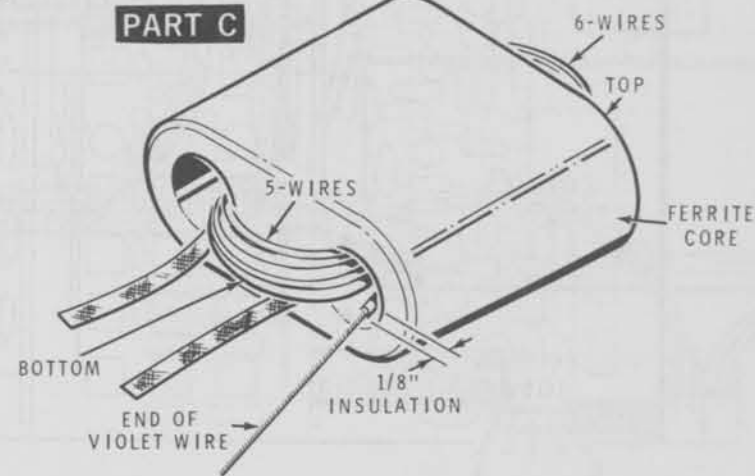
**PART A**



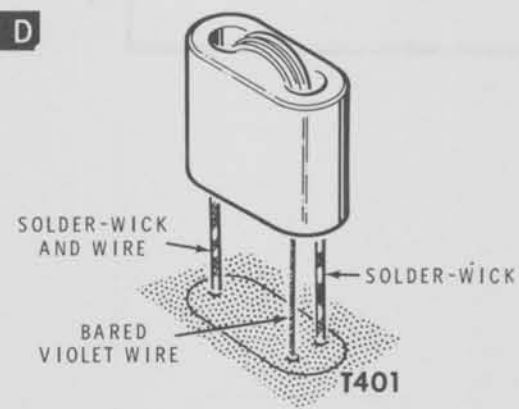
**PART B**



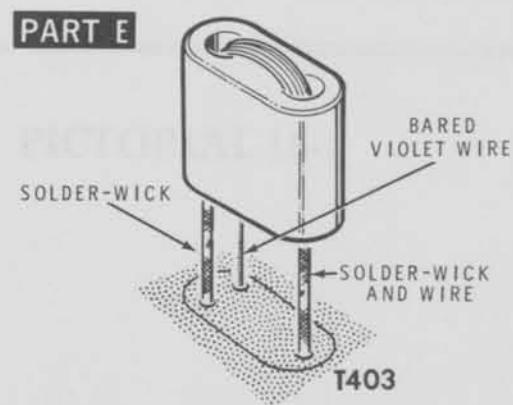
**PART C**



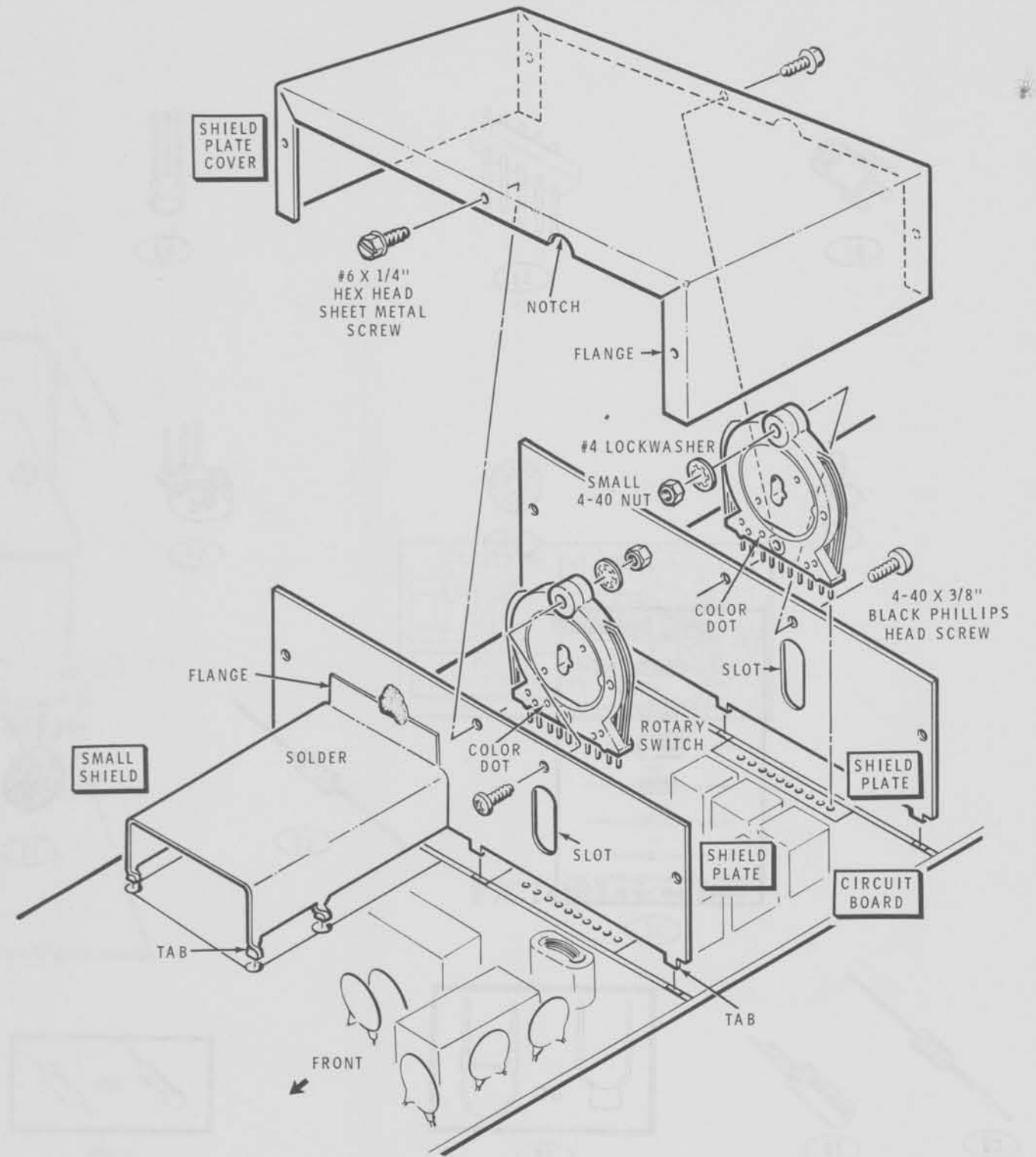
**PART D**



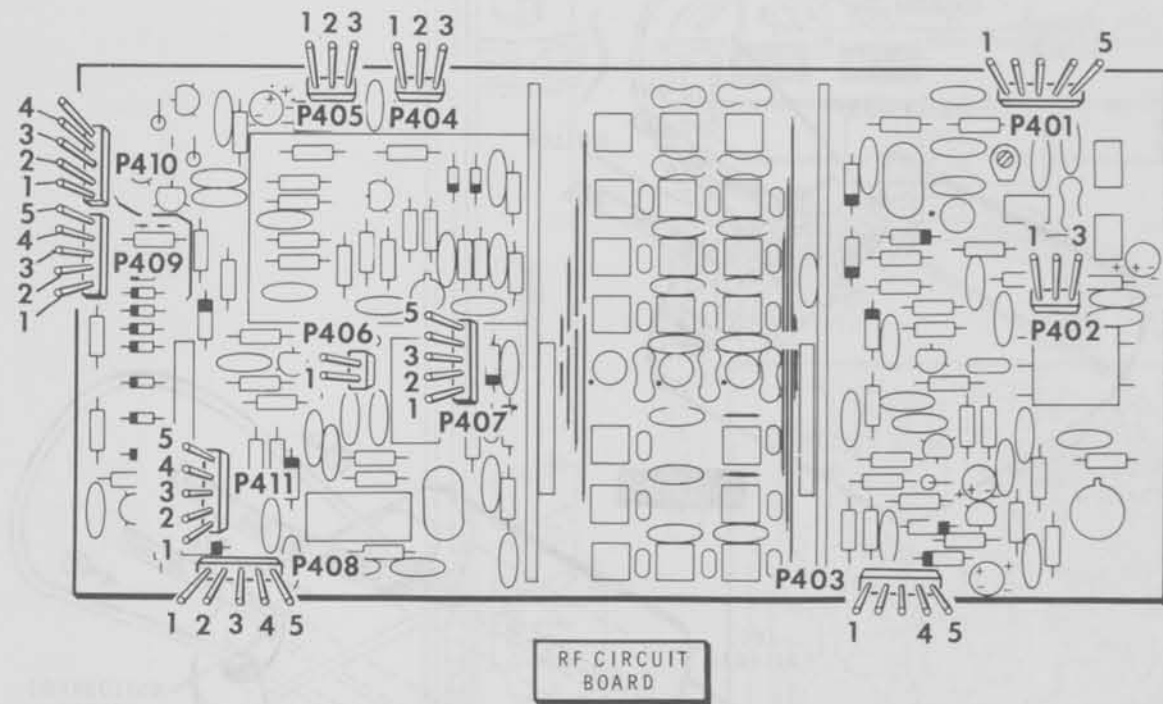
**PART E**



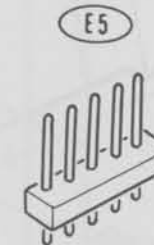
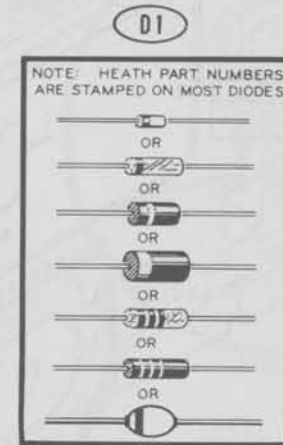
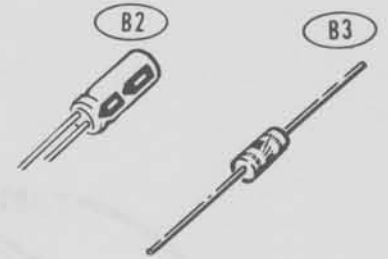
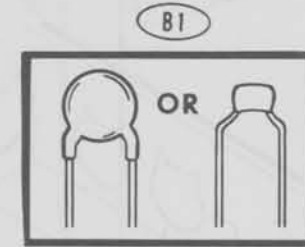
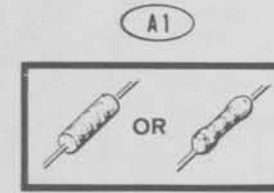
**Detail 12-11B**



**Detail 12-11F**

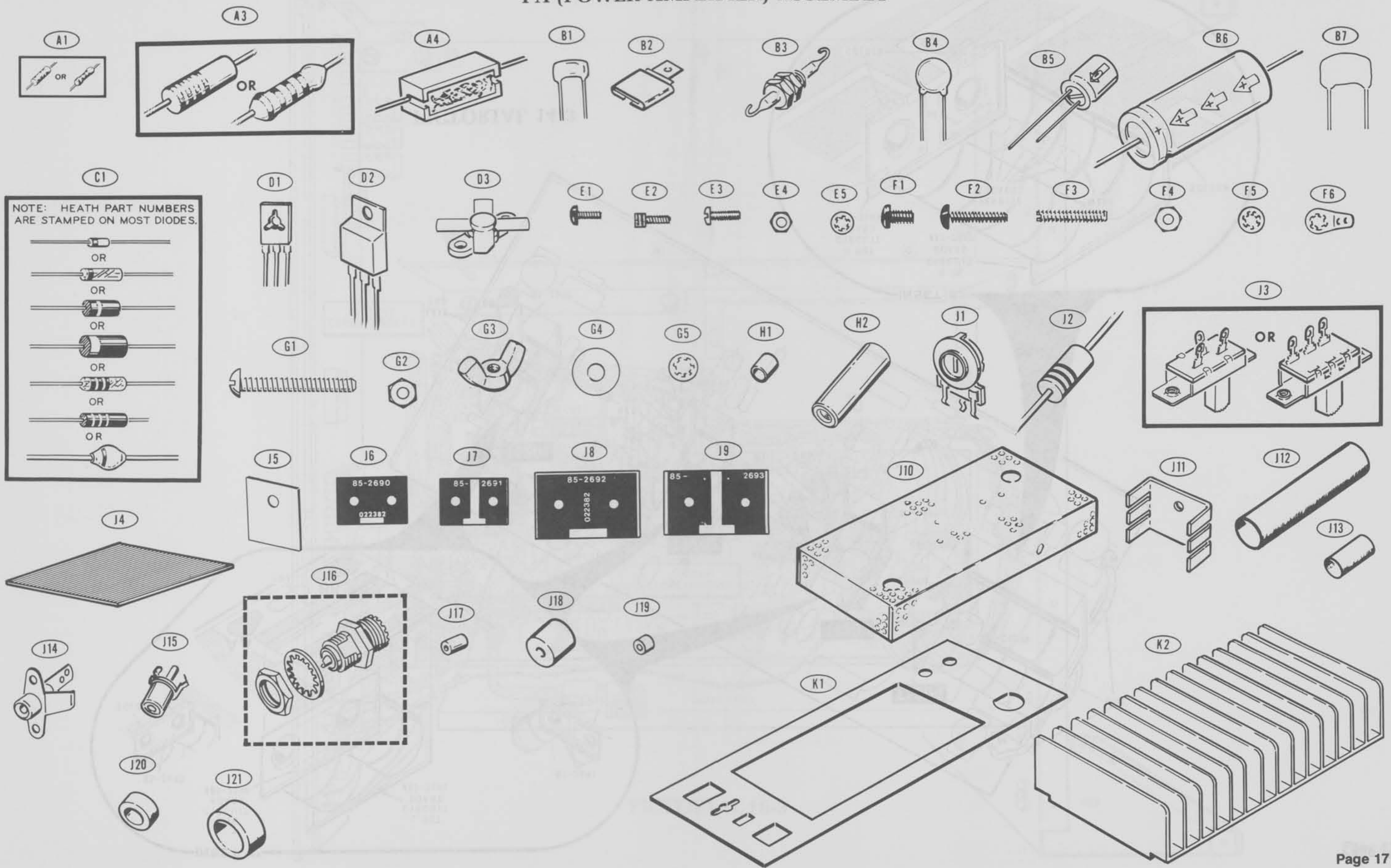


PICTORIAL 12-12



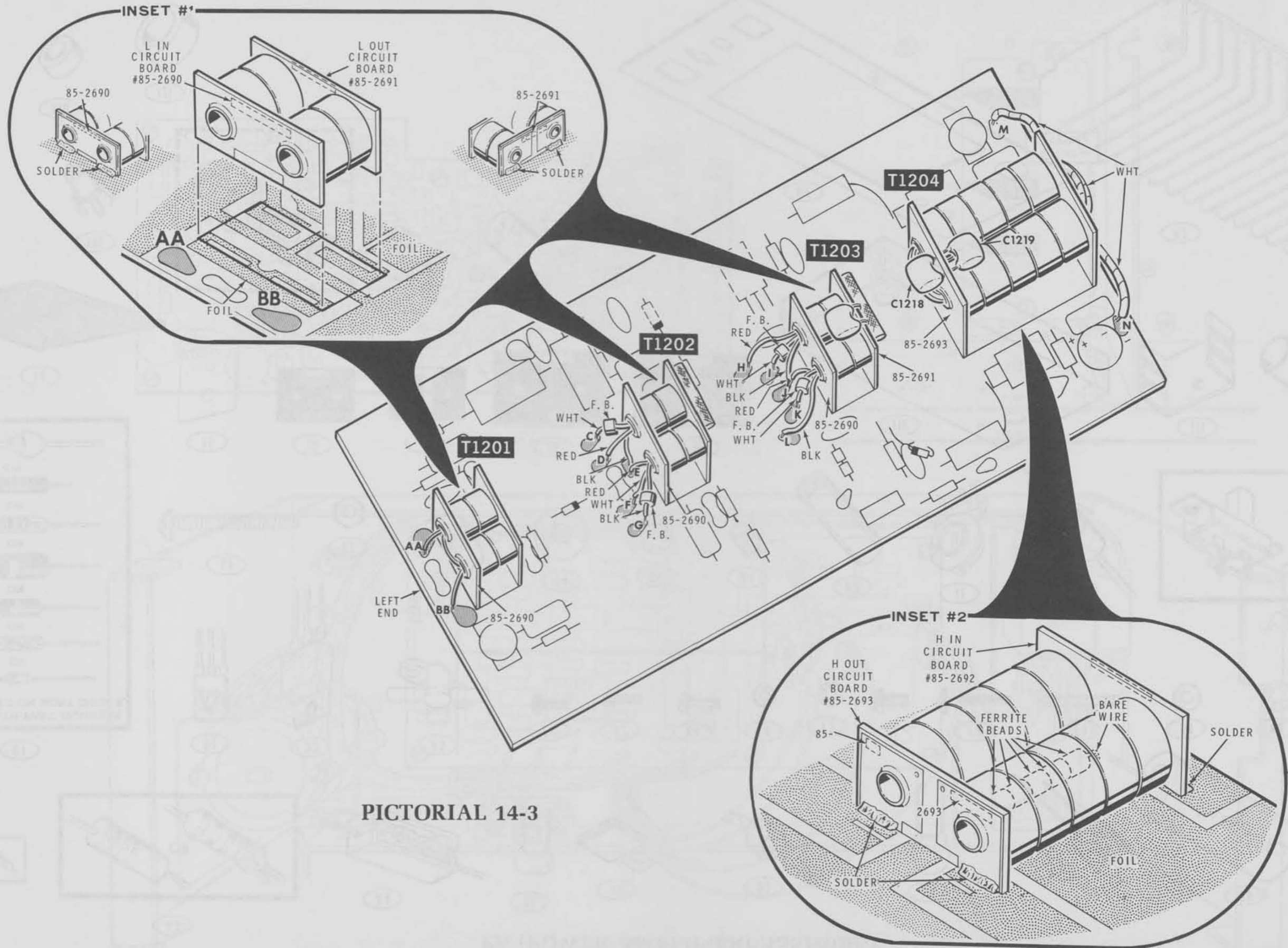


# PA (POWER AMPLIFIER) ASSEMBLY

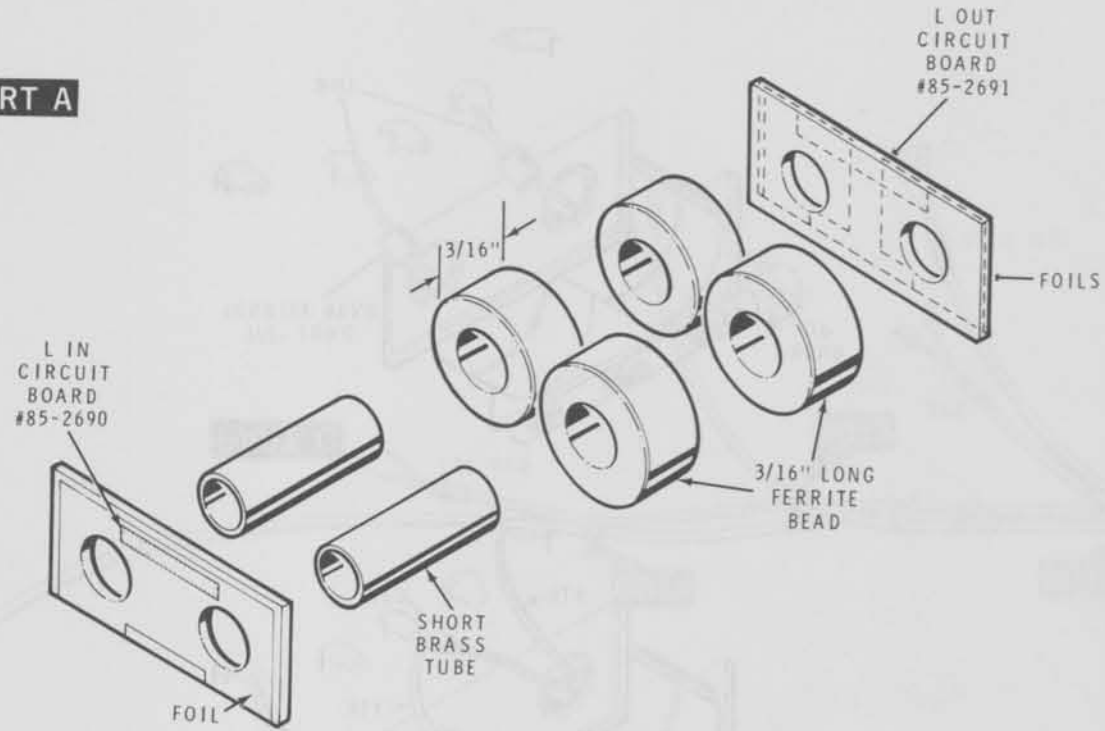


NOTE: HEATH PART NUMBERS ARE STAMPED ON MOST DIODES.

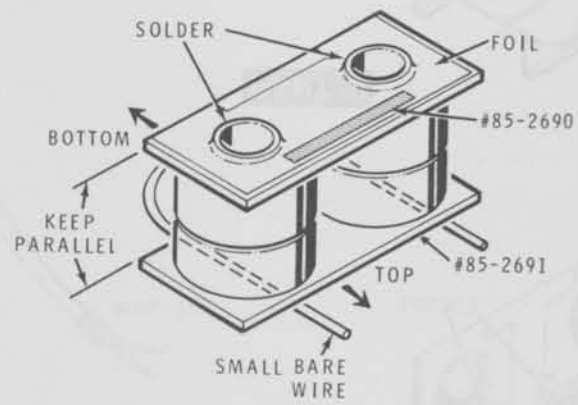
- OR —
- OR —
- OR —
- OR —
- OR —
- OR —
- OR —
- OR —



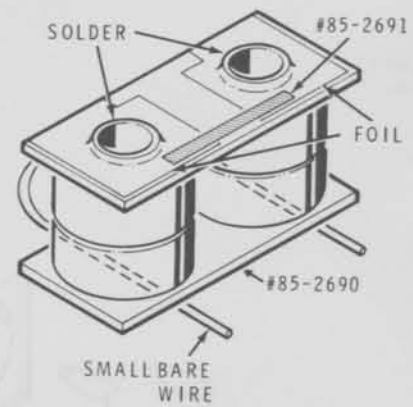
**PART A**



**PART B**

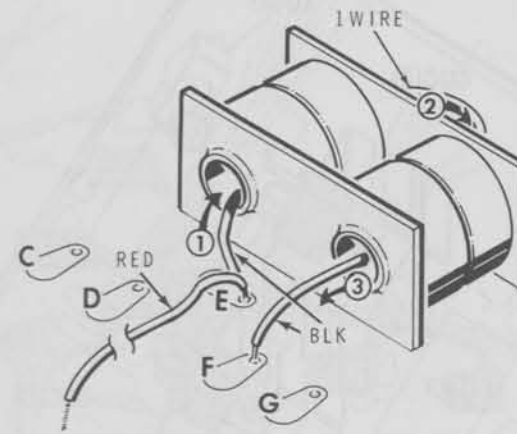


**PART C**

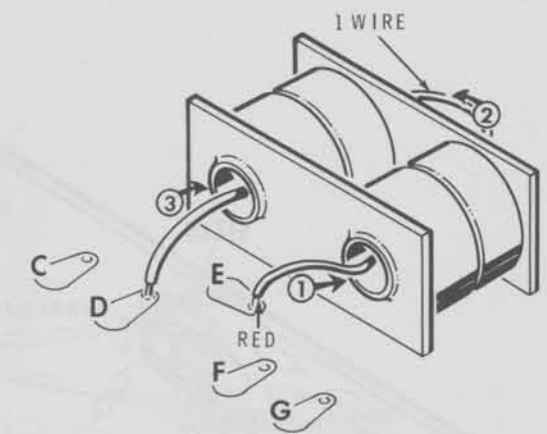


**Detail 14-3A**

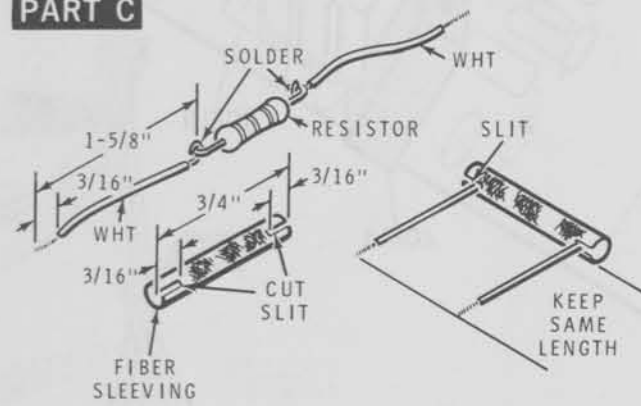
**PART A**



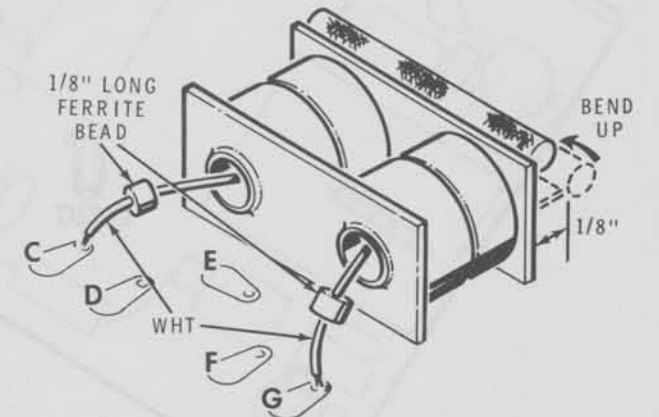
**PART B**



**PART C**

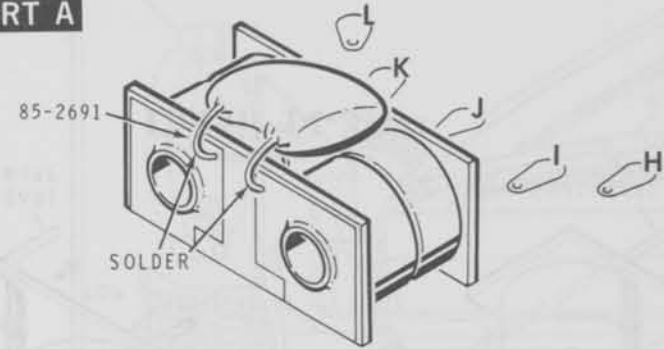


**PART D**

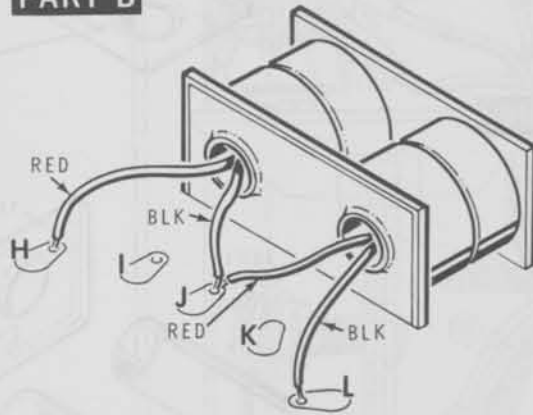


**Detail 14-3D**

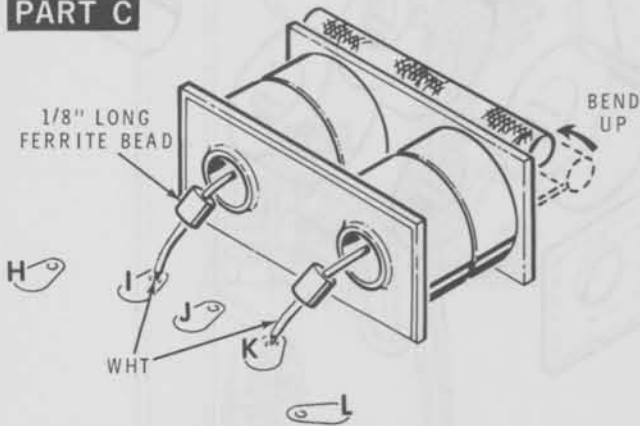
**PART A**



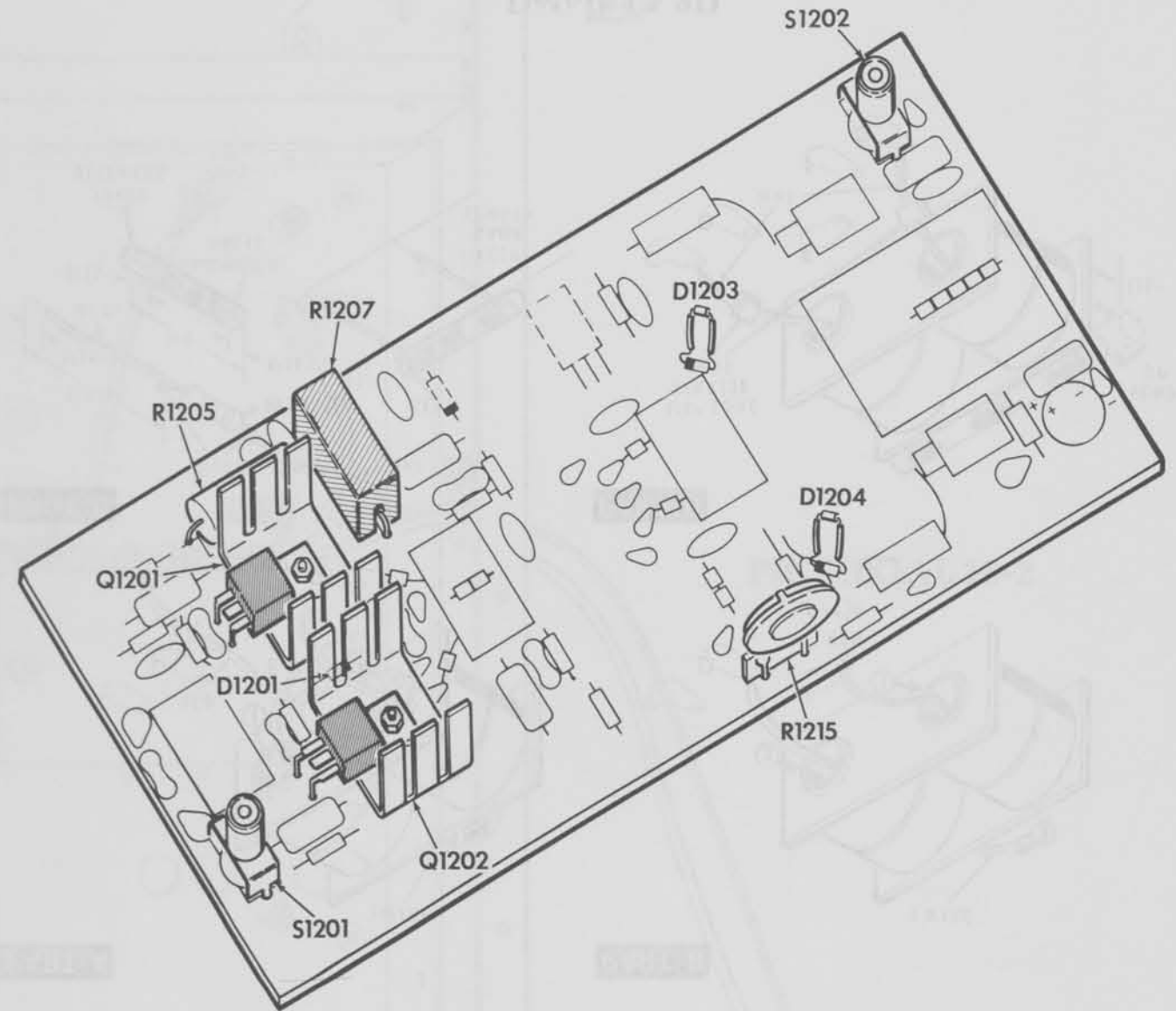
**PART B**



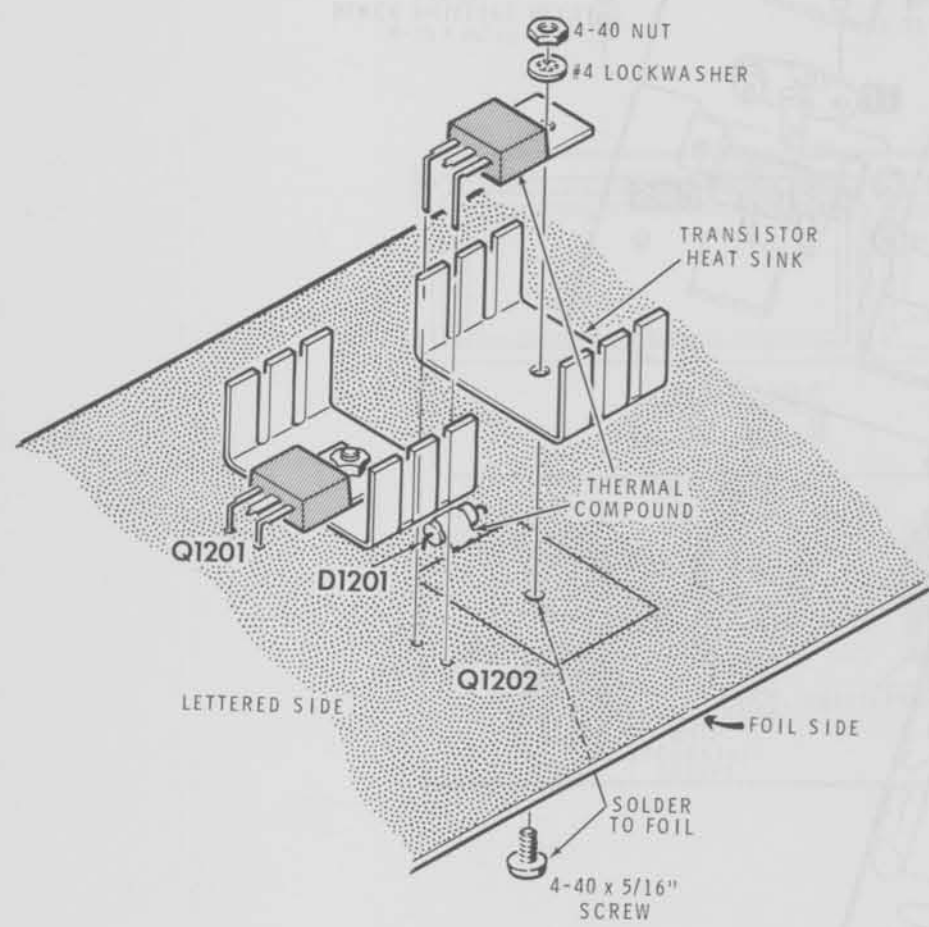
**PART C**



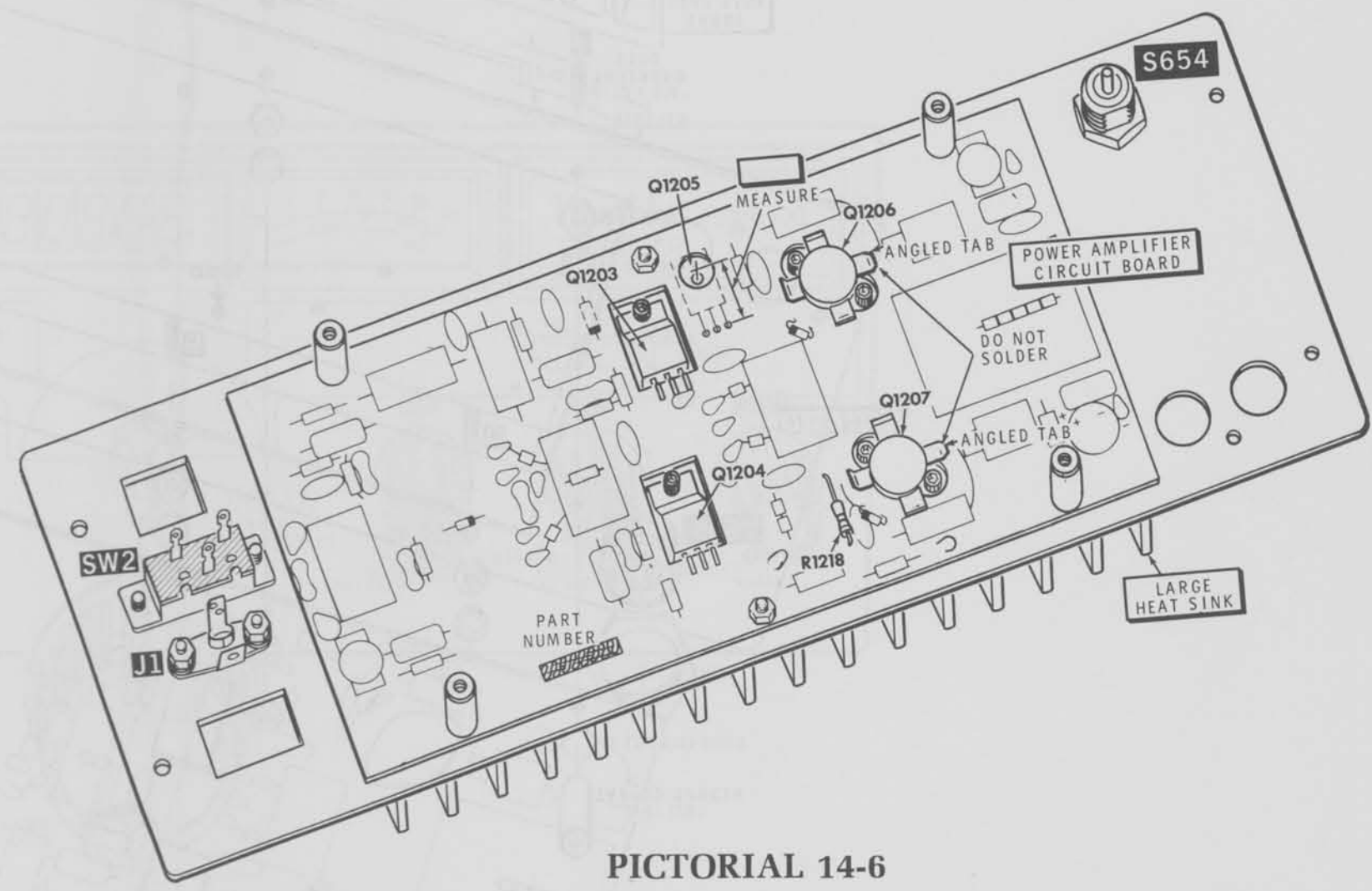
**Detail 14-3E**



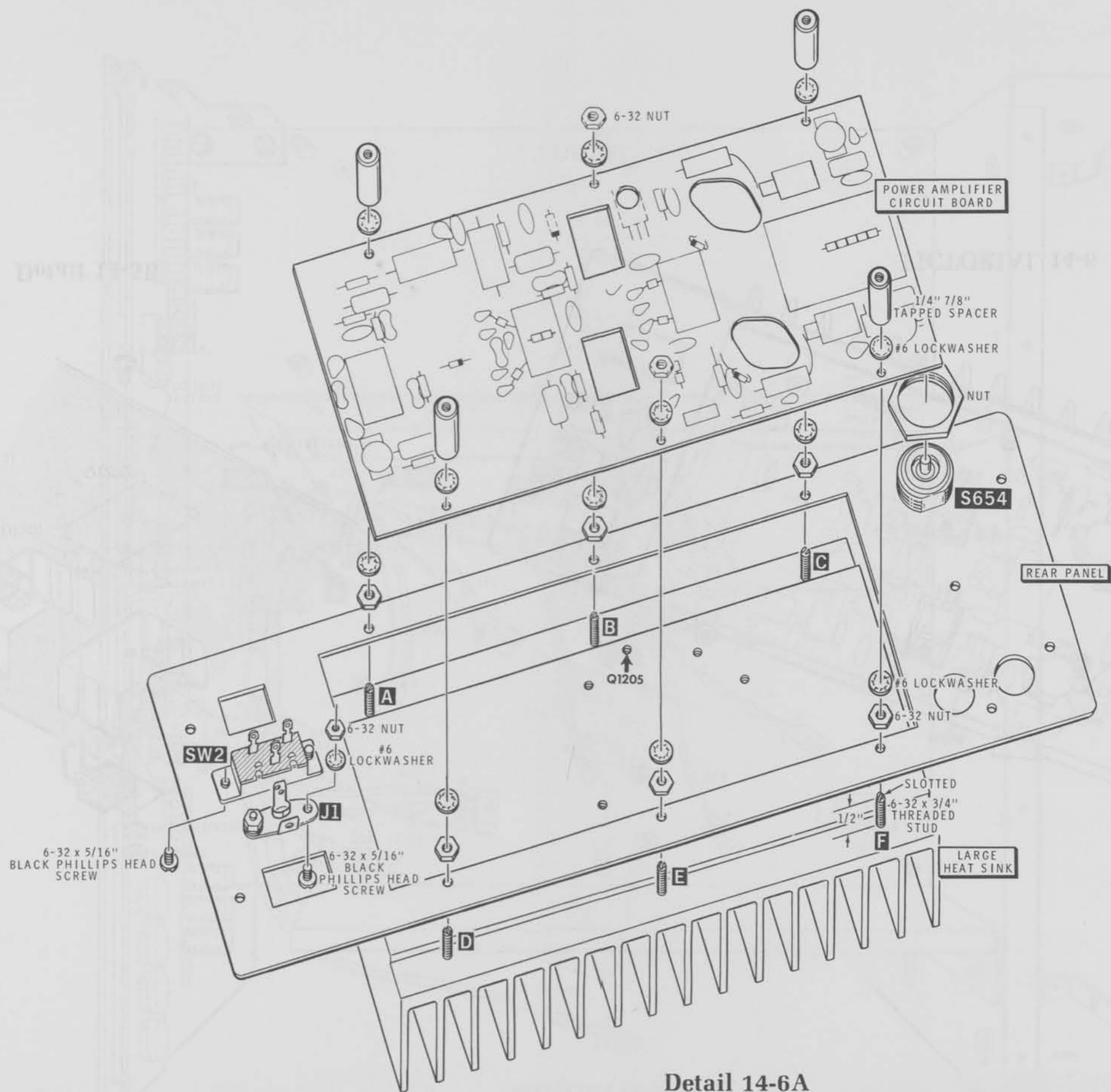
**PICTORIAL 14-5**



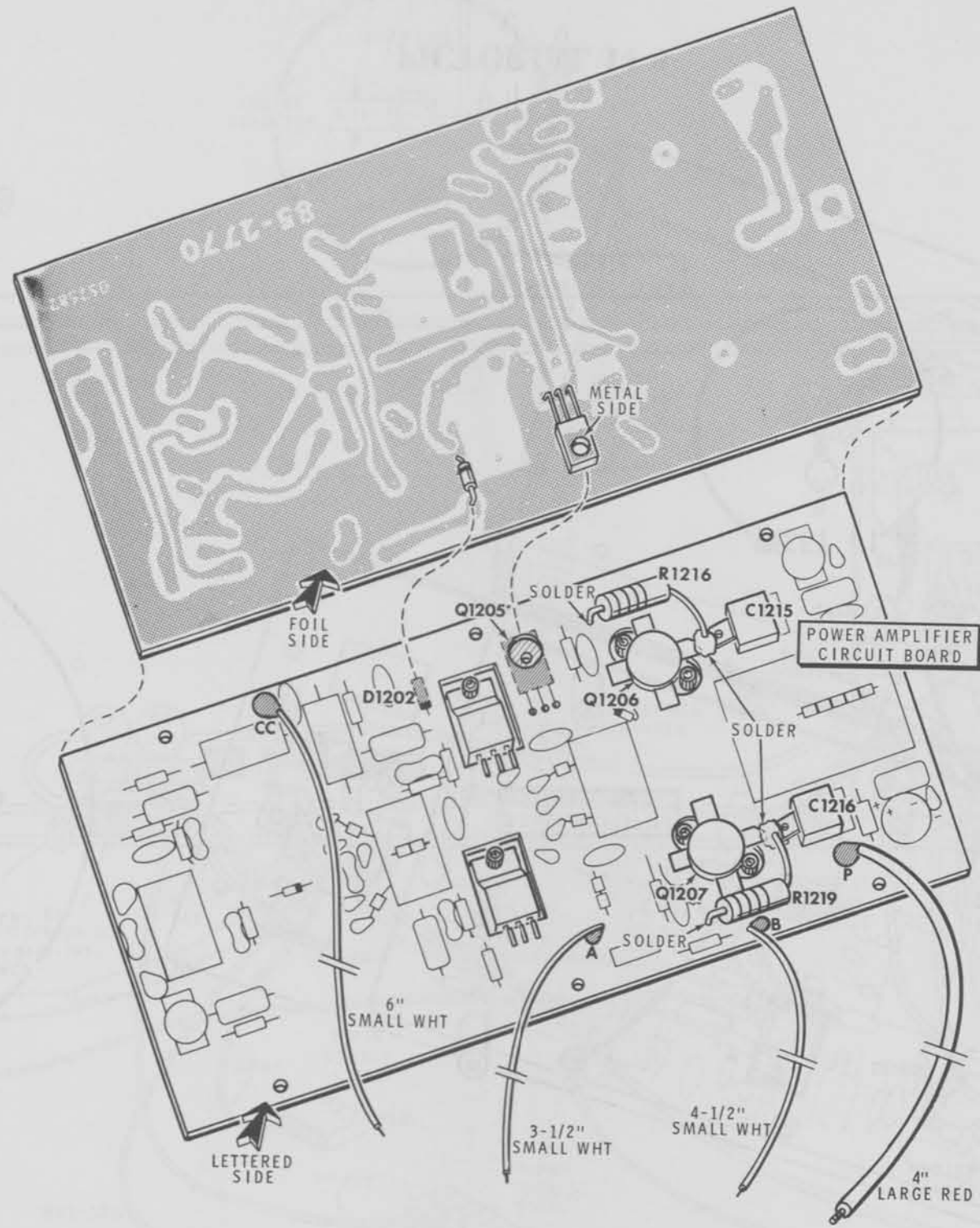
Detail 14-5B



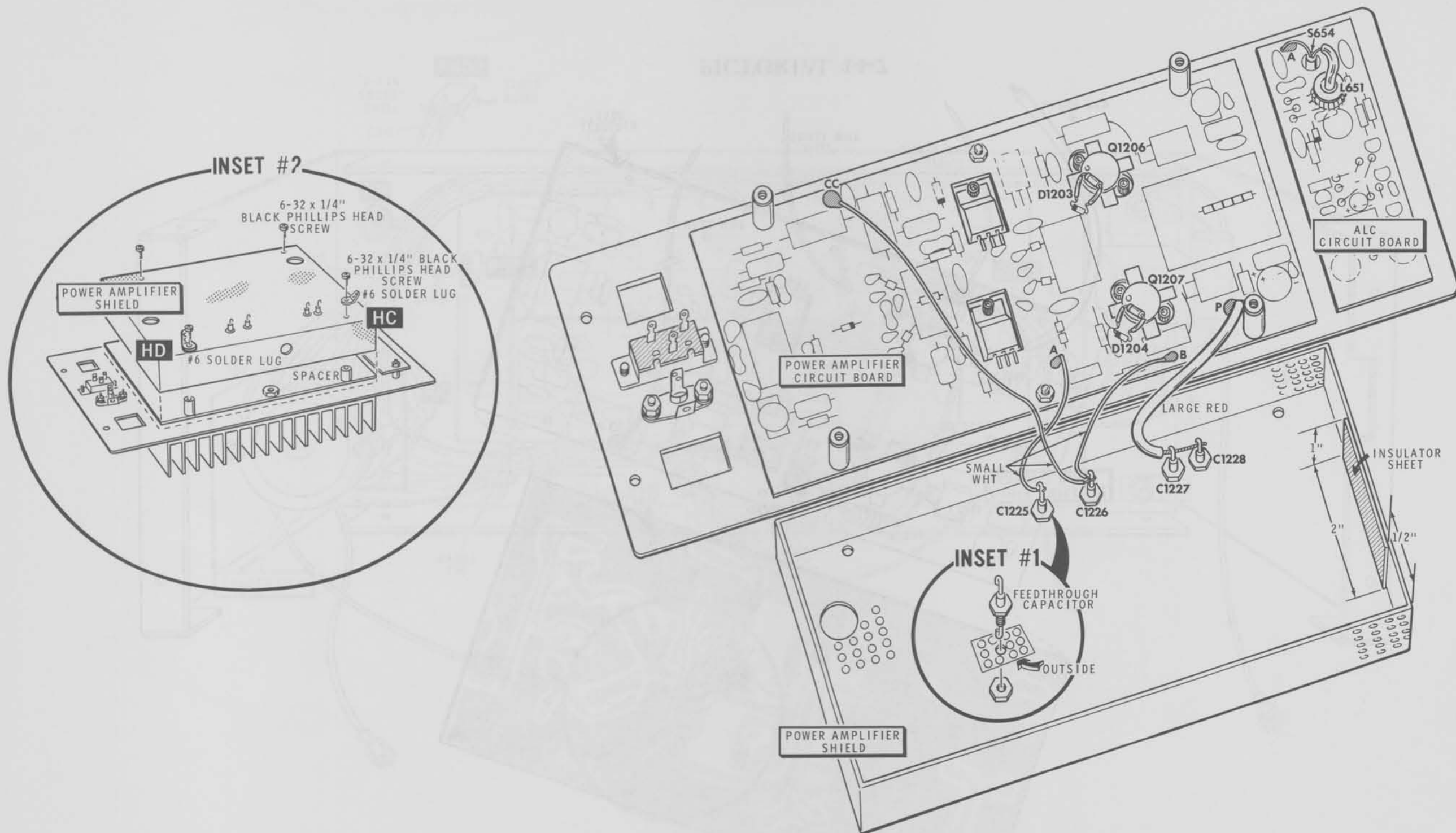
PICTORIAL 14-6



Detail 14-6A

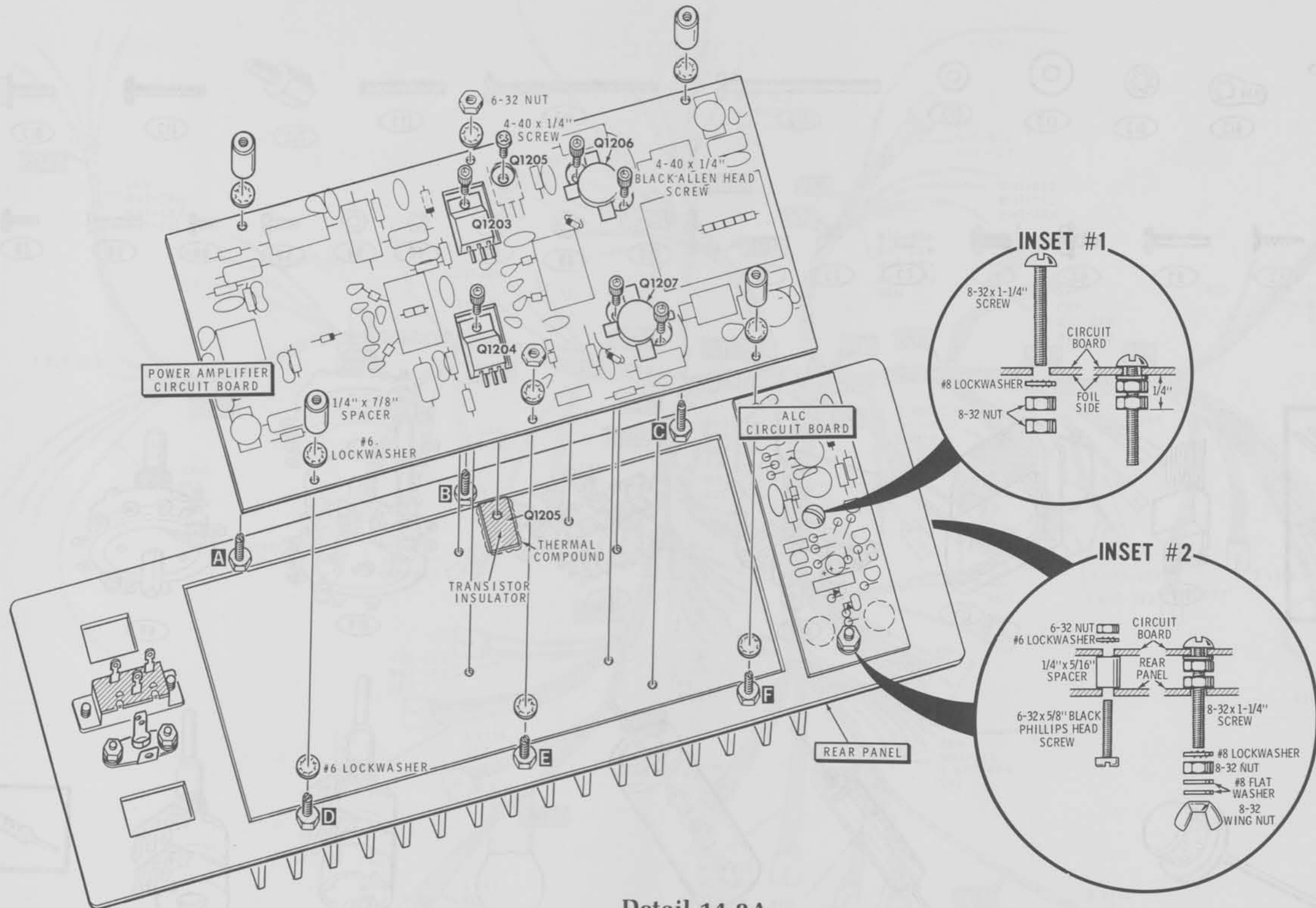


PICTORIAL 14-7



PICTORIAL 14-8





POWER AMPLIFIER  
CIRCUIT BOARD

ALC  
CIRCUIT BOARD

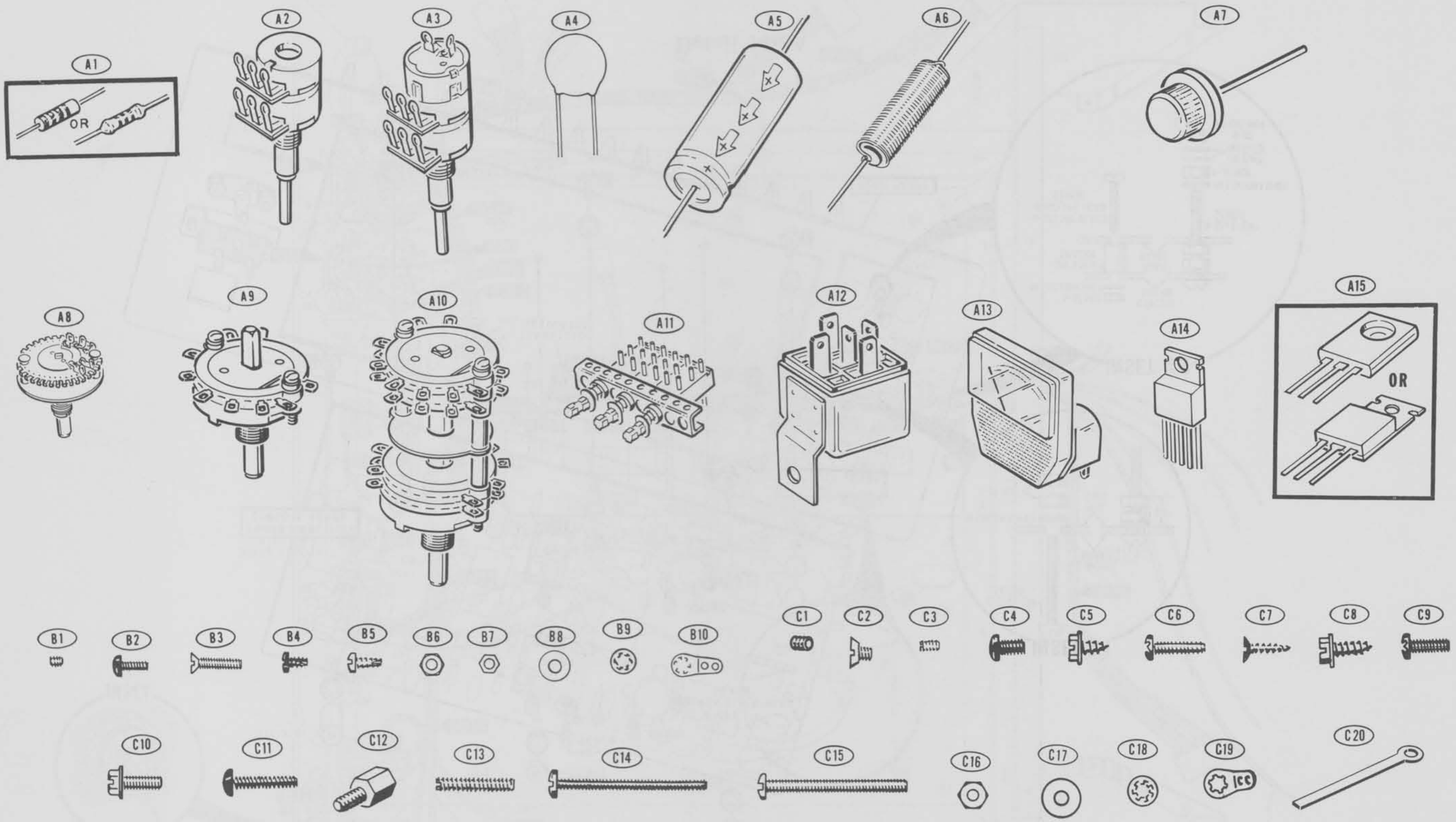
REAR PANEL

INSET #1

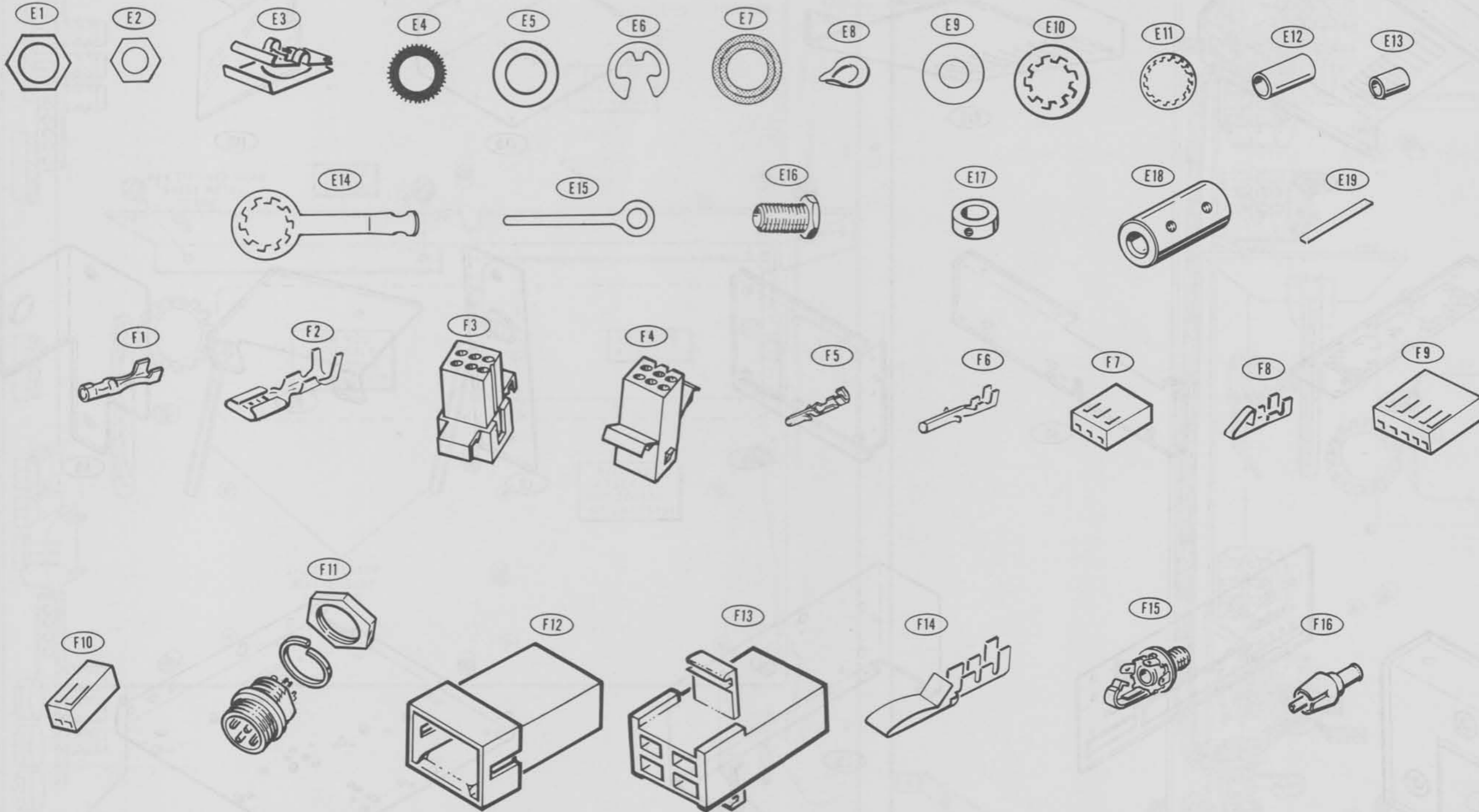
INSET #2

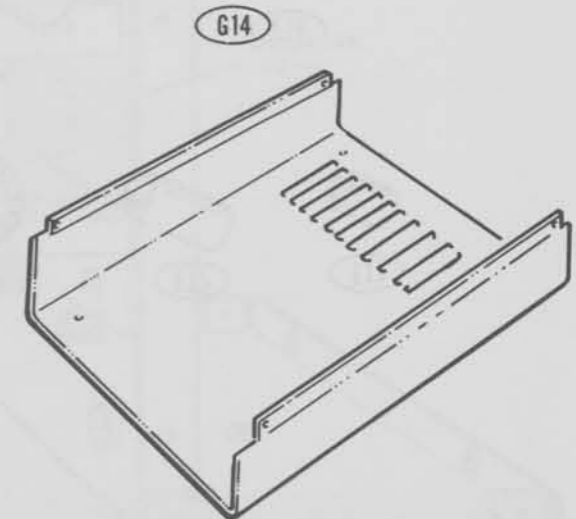
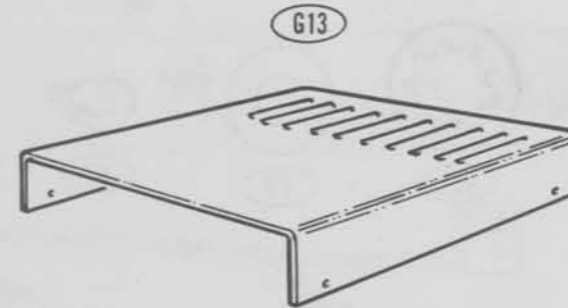
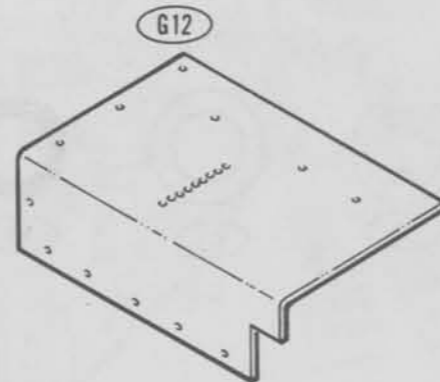
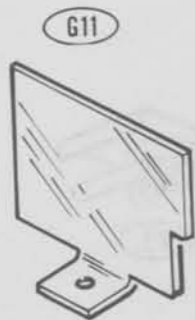
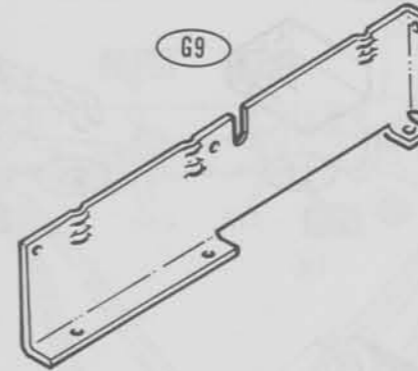
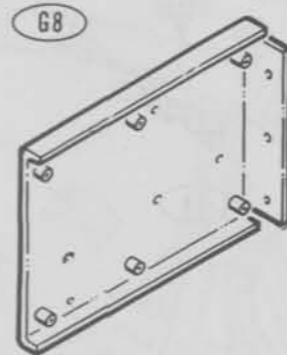
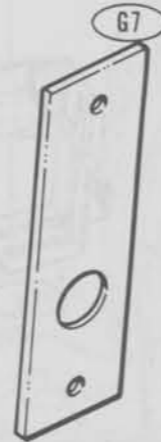
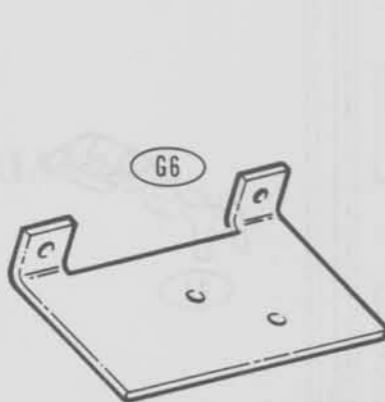
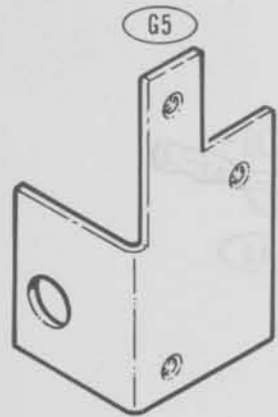
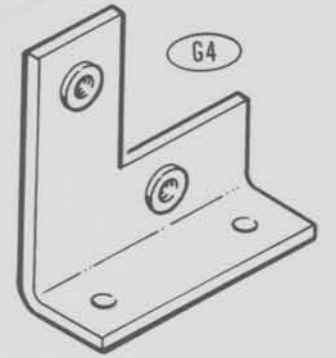
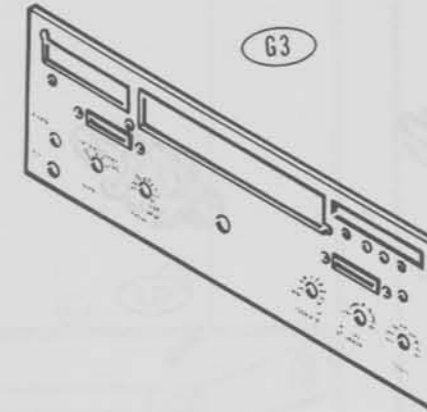
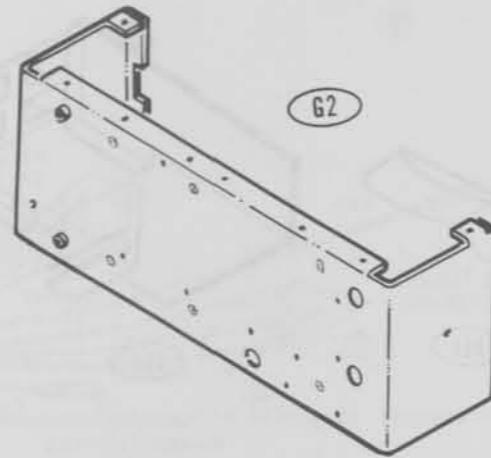
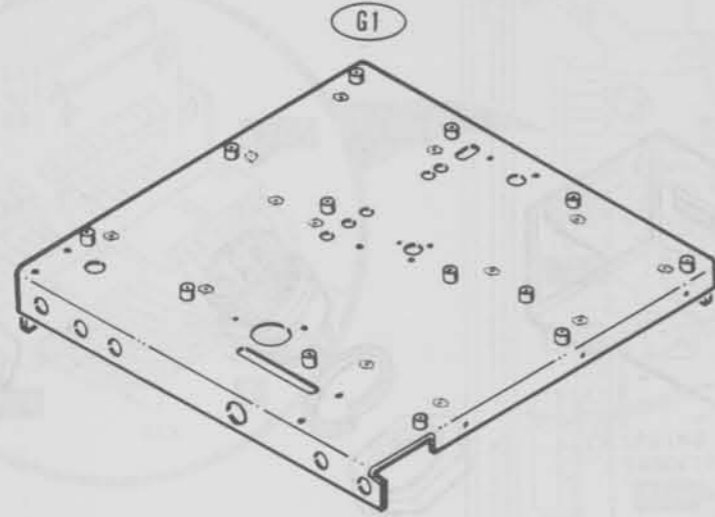
Detail 14-8A

# CHASSIS PARTS PICTORIAL

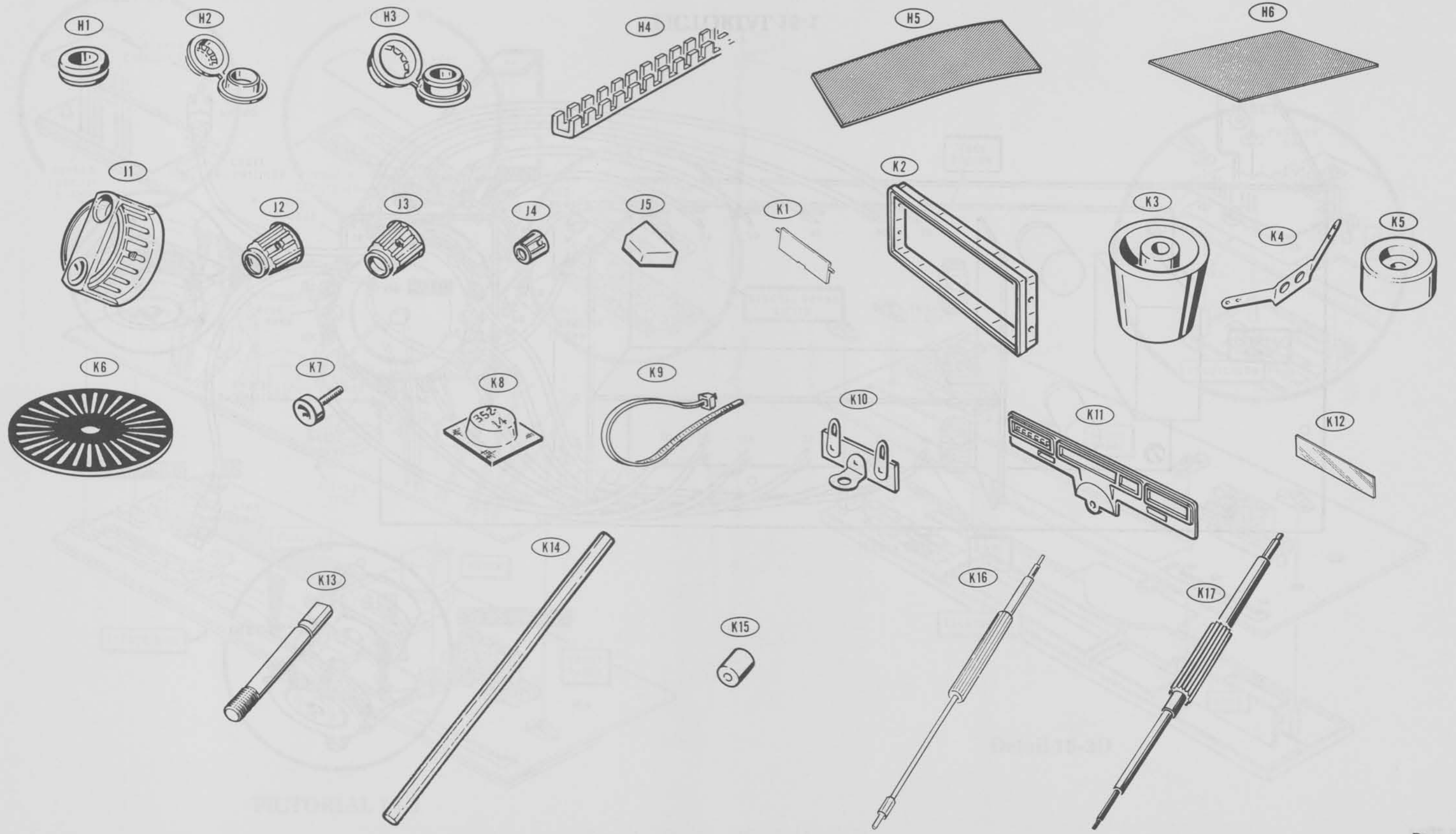


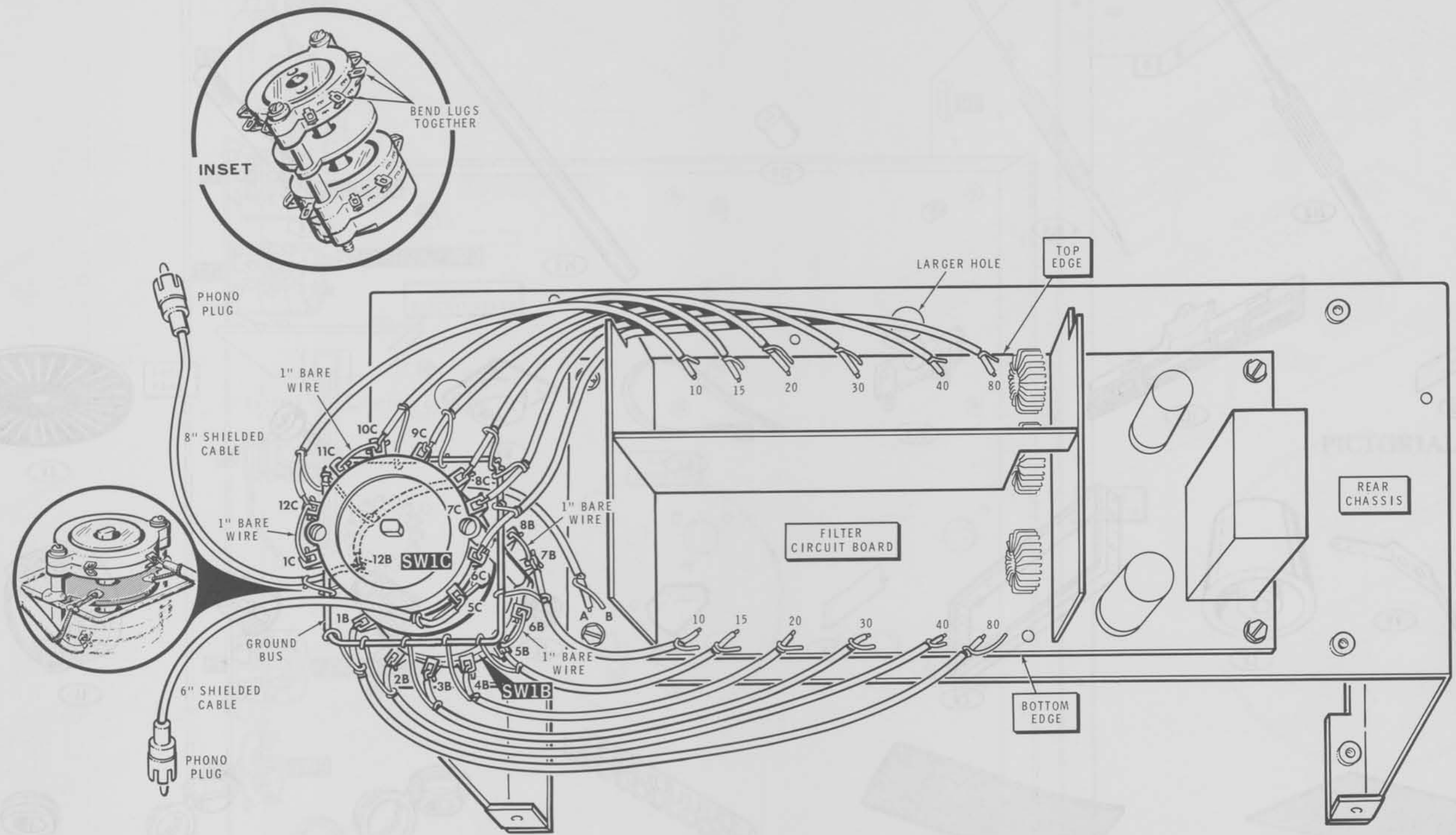
# Chassis Parts Pictorial (Cont'd.)



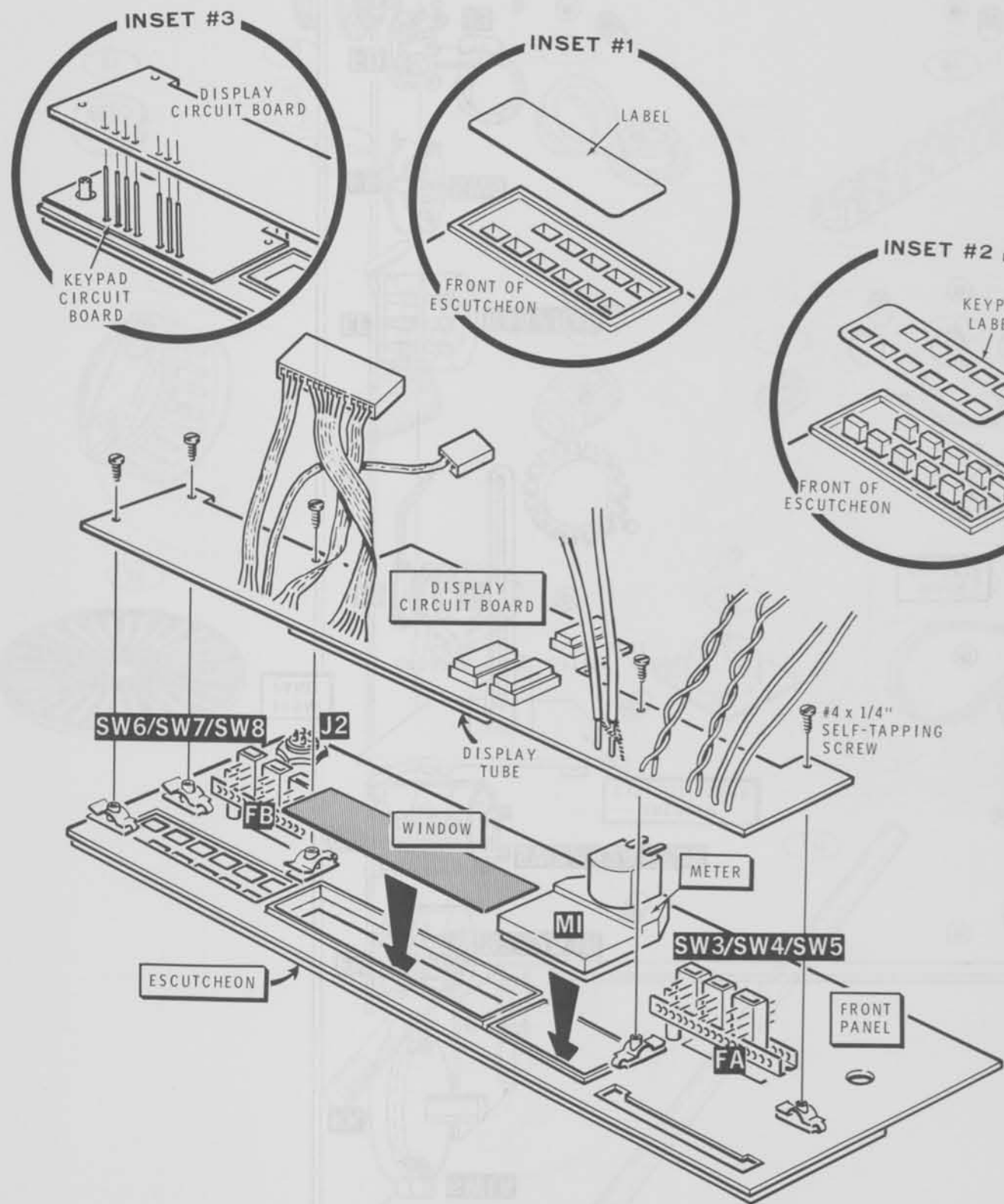


# Chassis Parts Pictorial (Cont'd.)

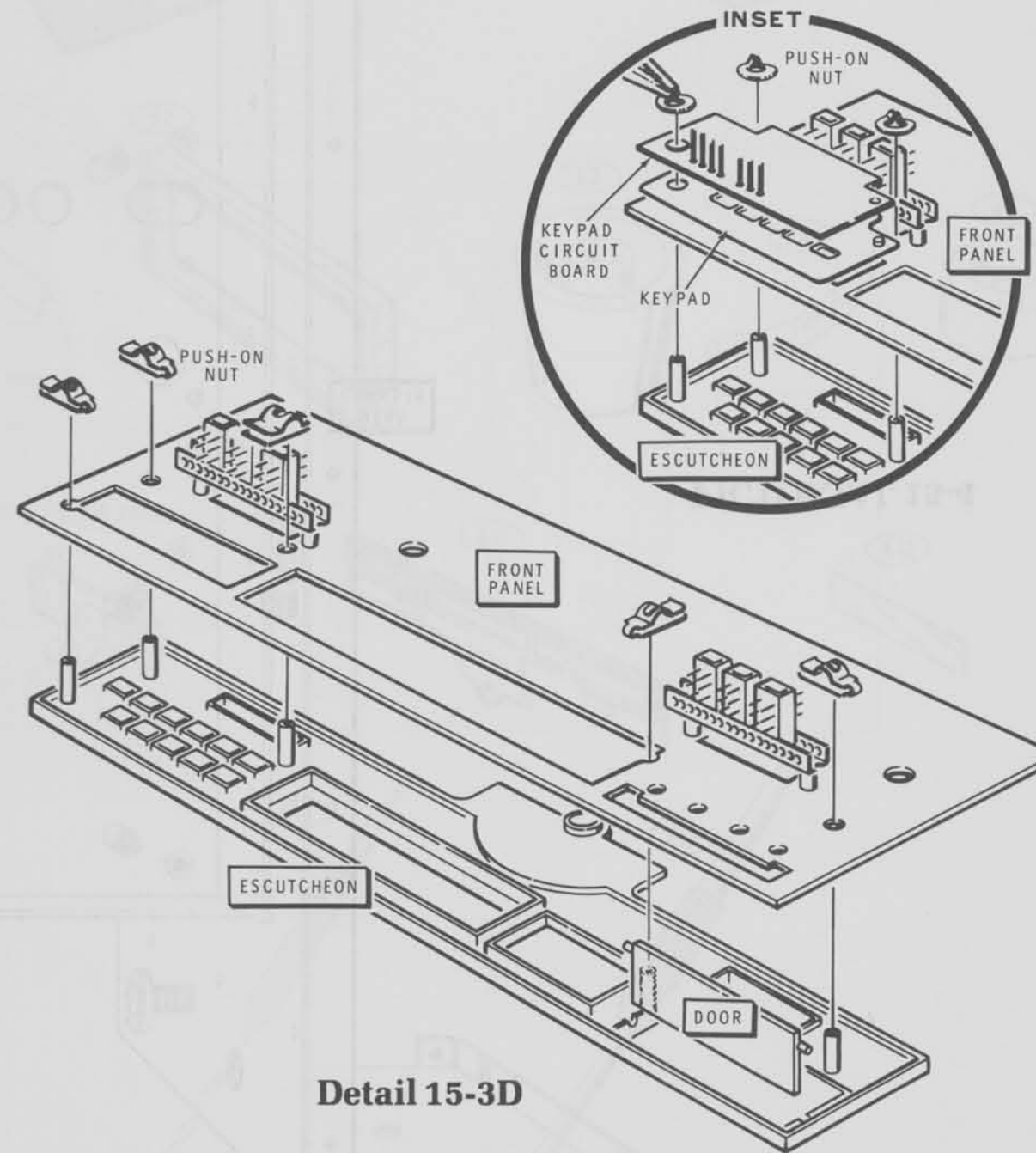




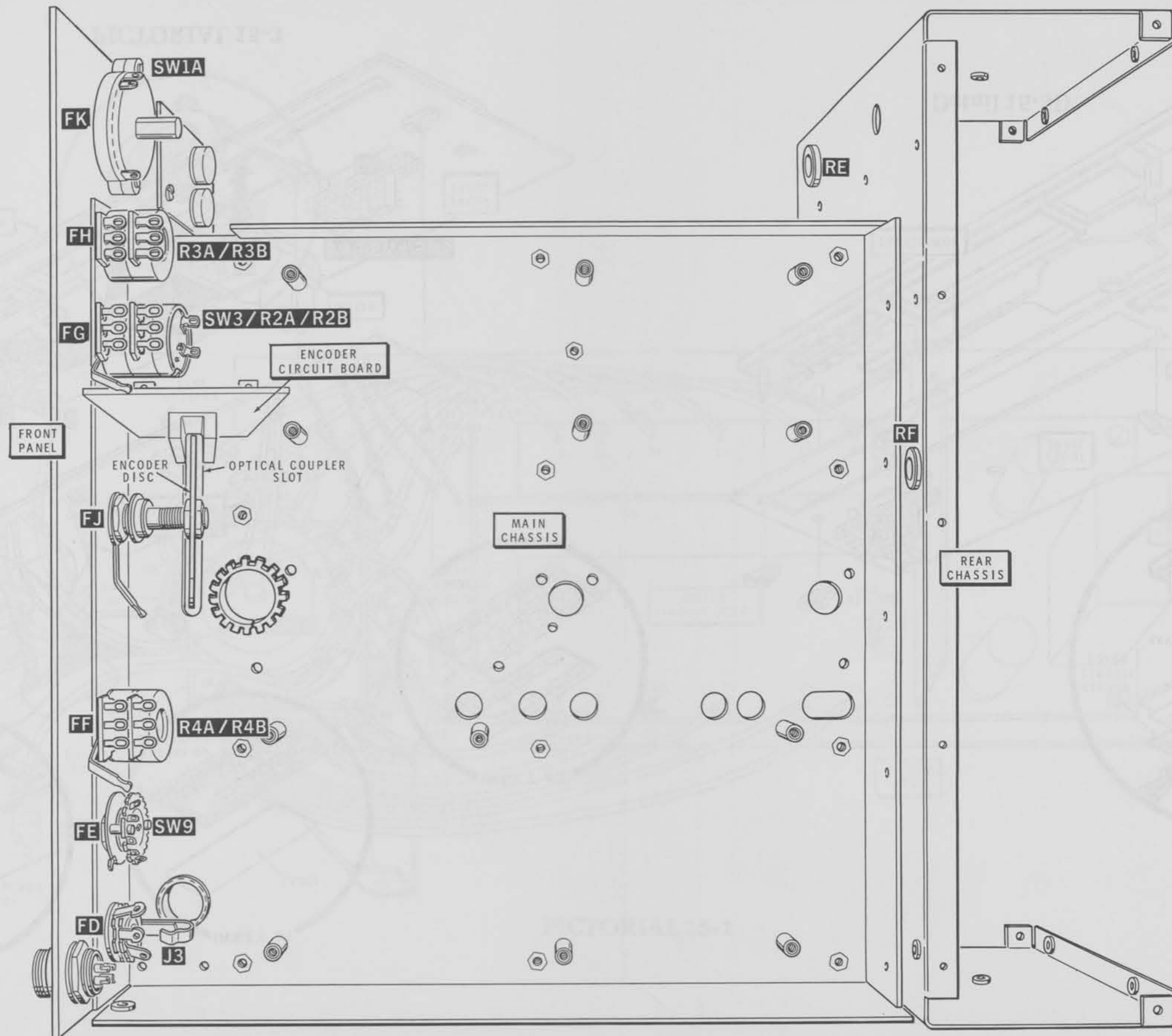
PICTORIAL 15-1



**PICTORIAL 15-3**

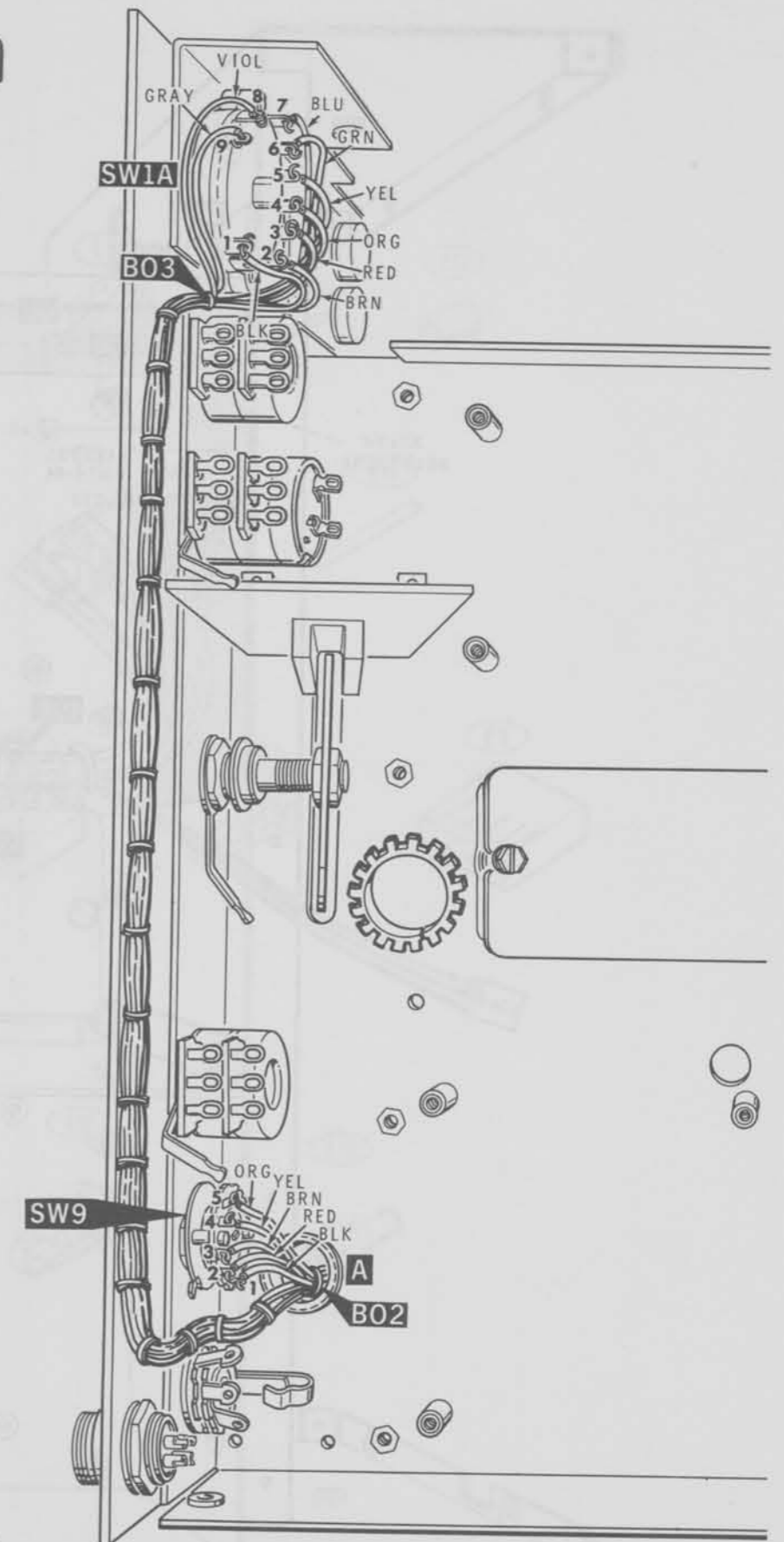
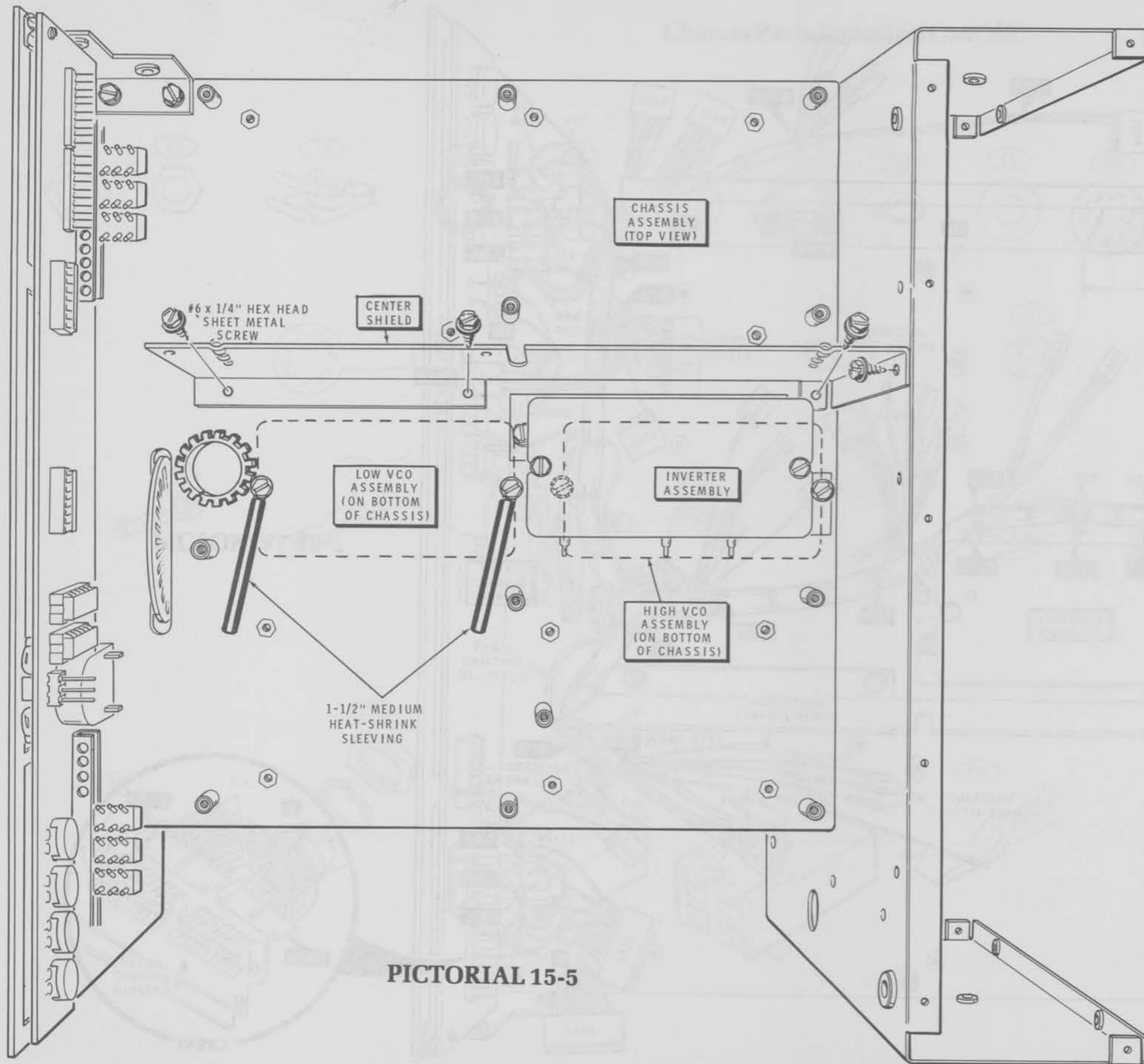


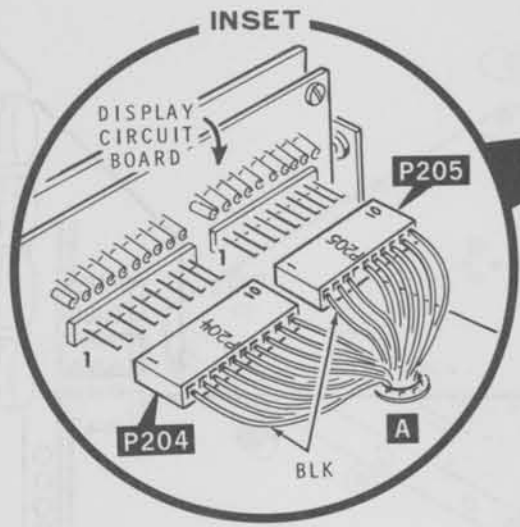
**Detail 15-3D**



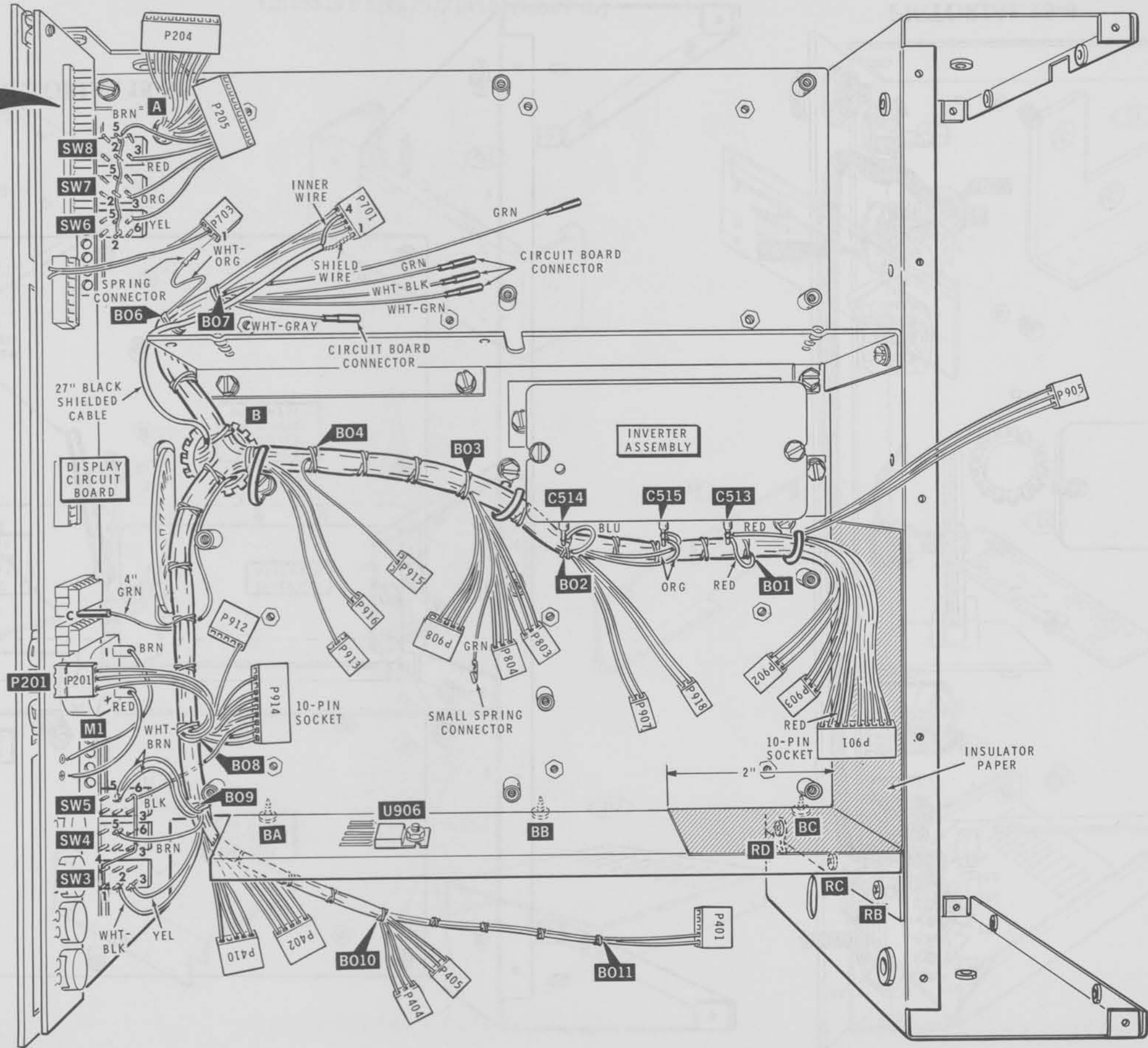
PICTORIAL 15-4

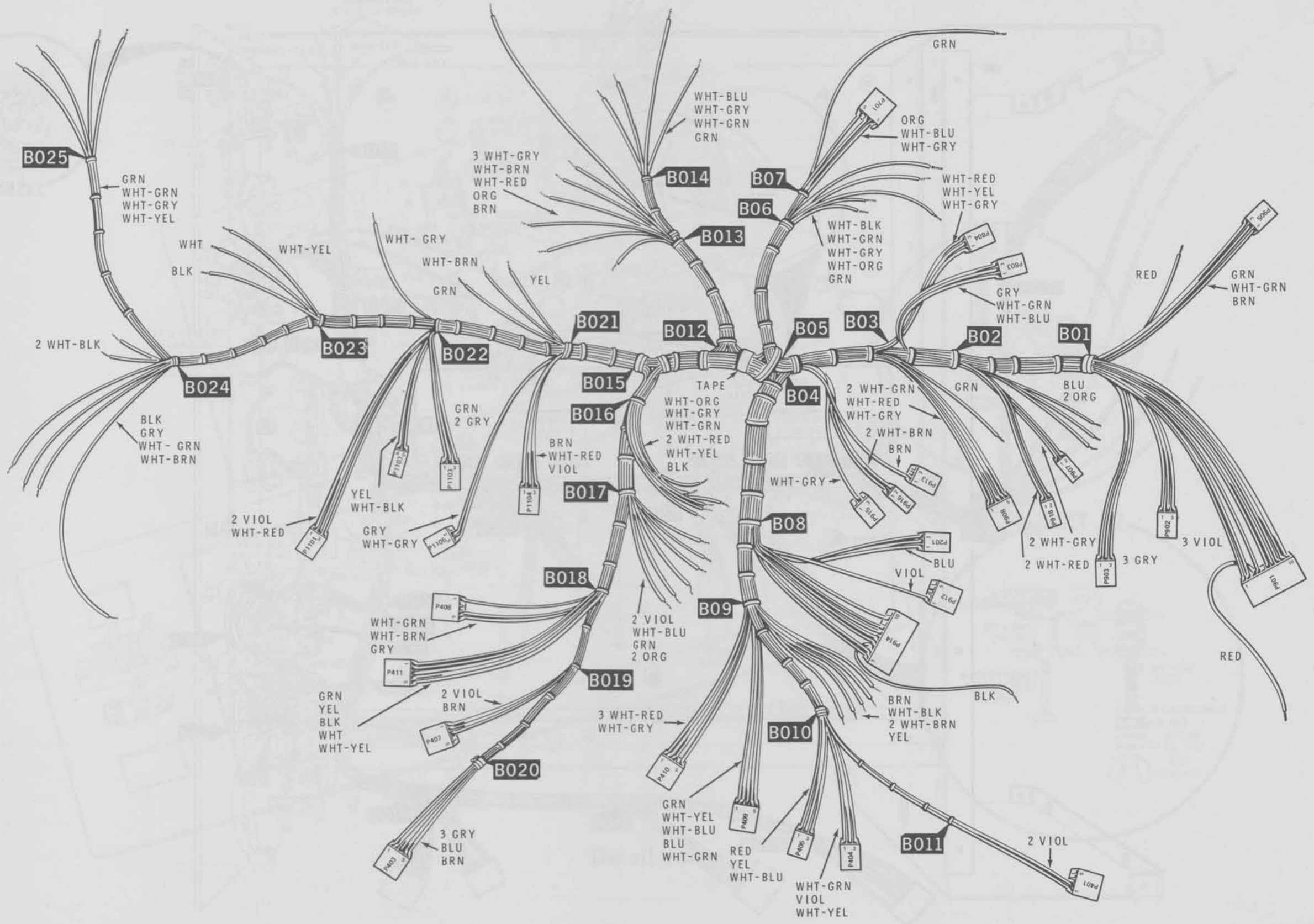




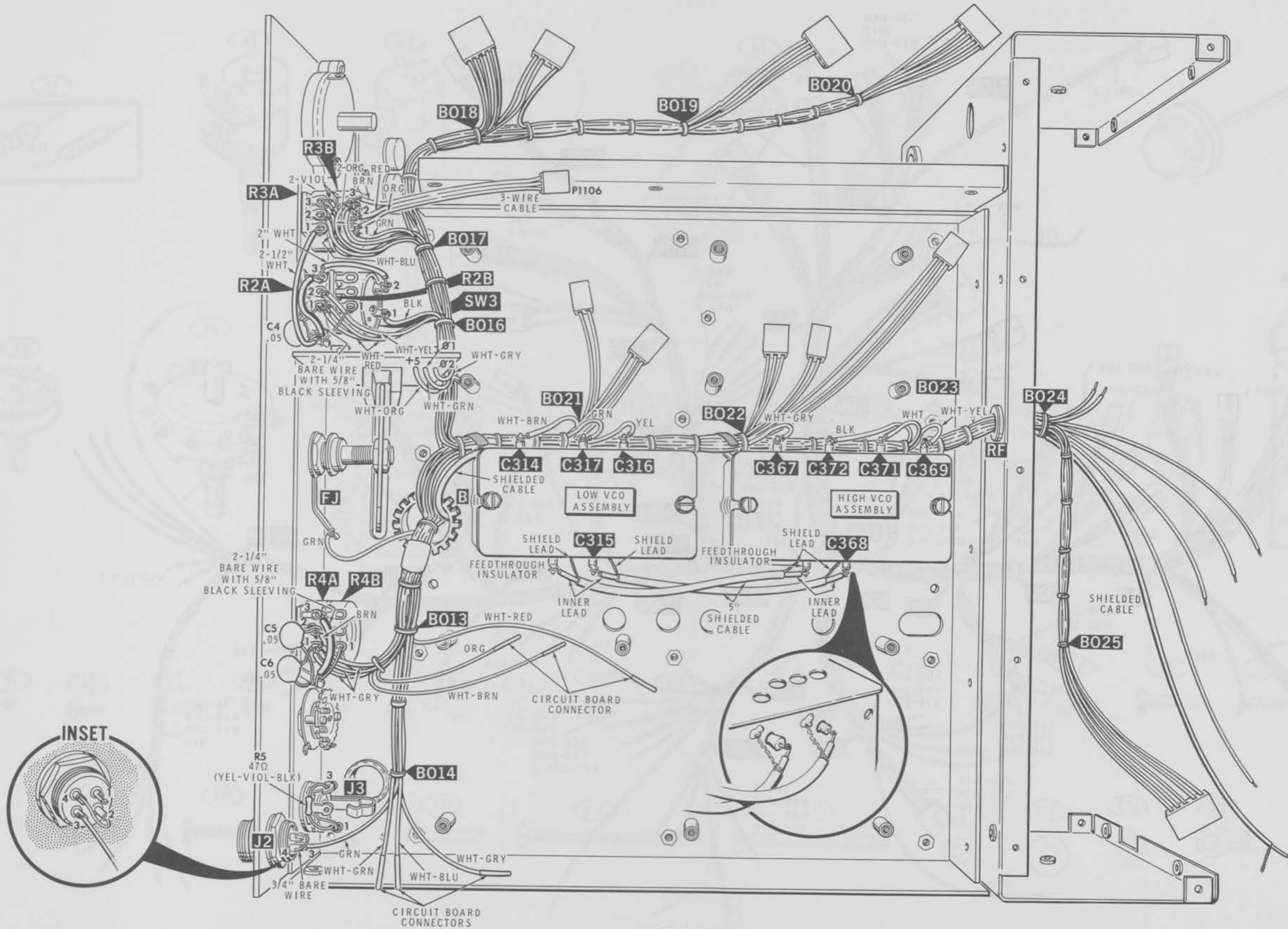


PICTORIAL 15-7

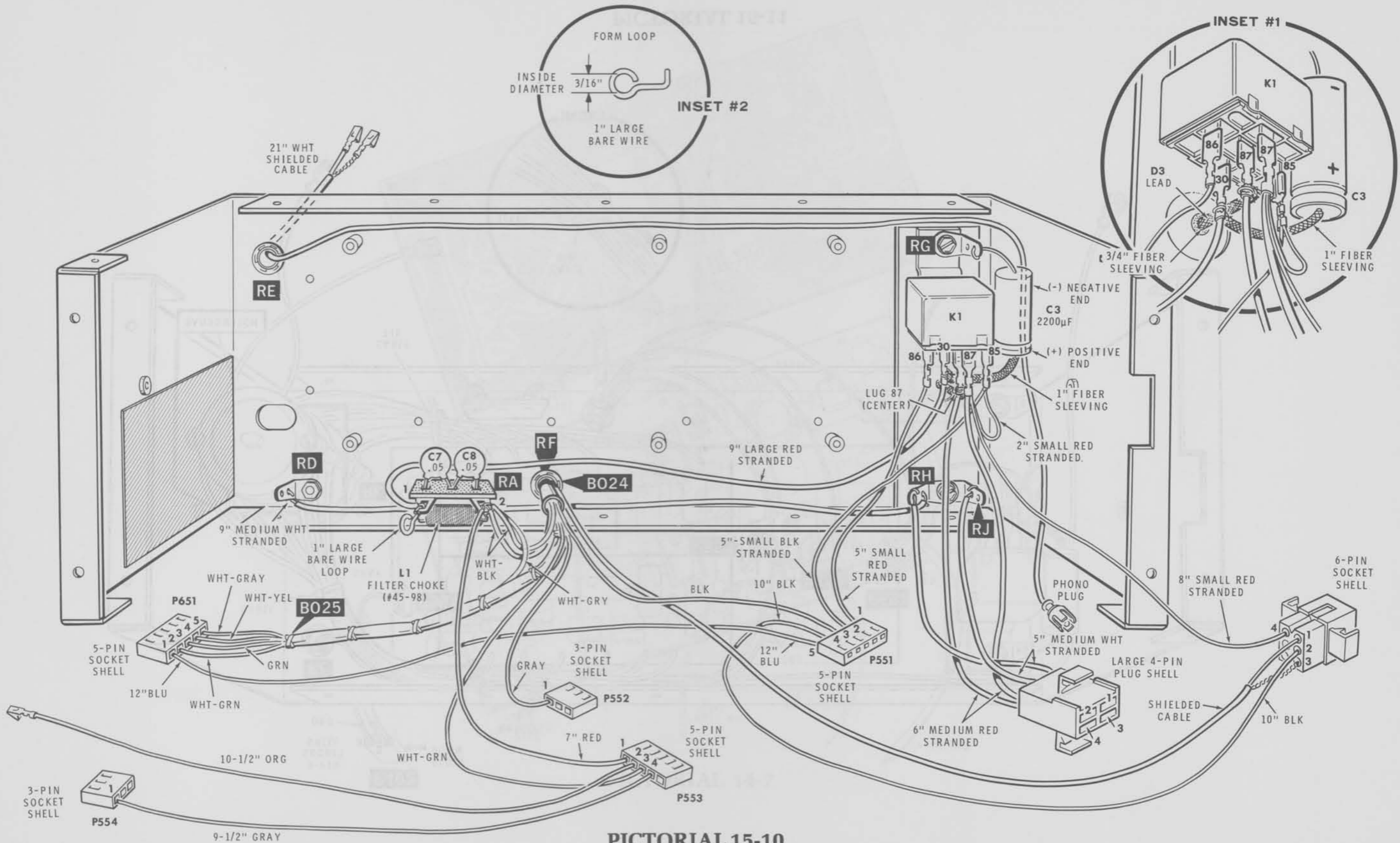




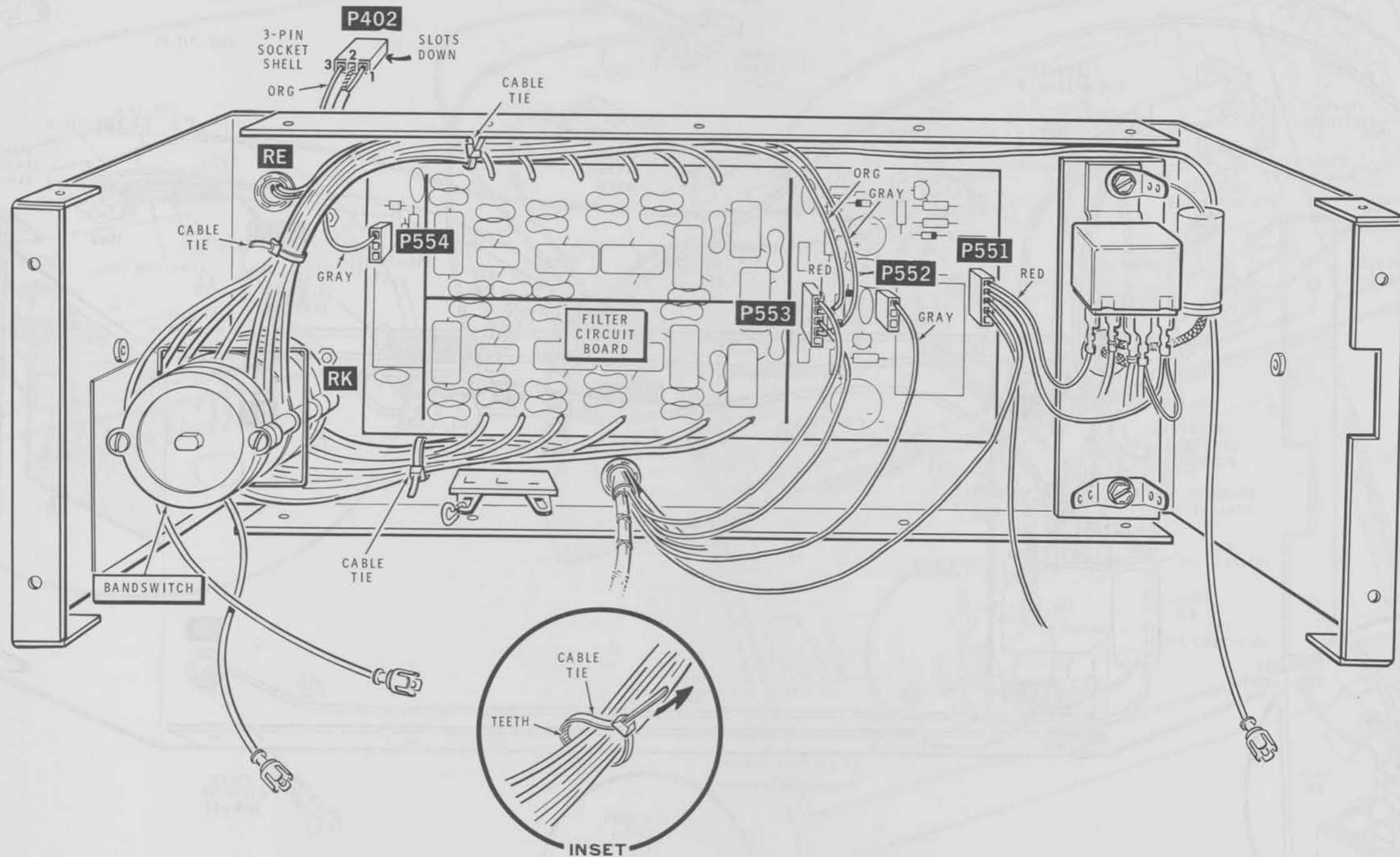
Detail 15-7A



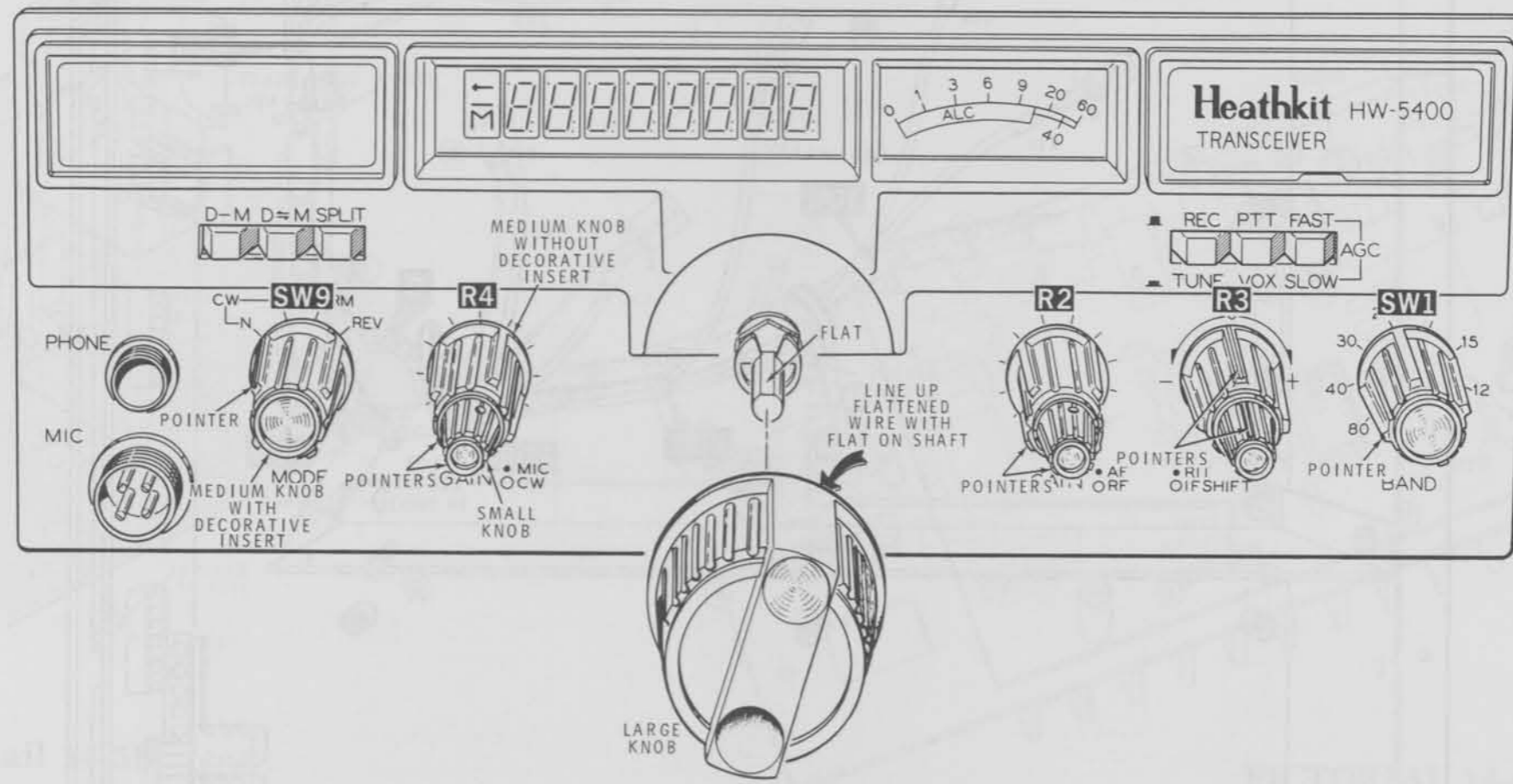
PICTORIAL 15-8



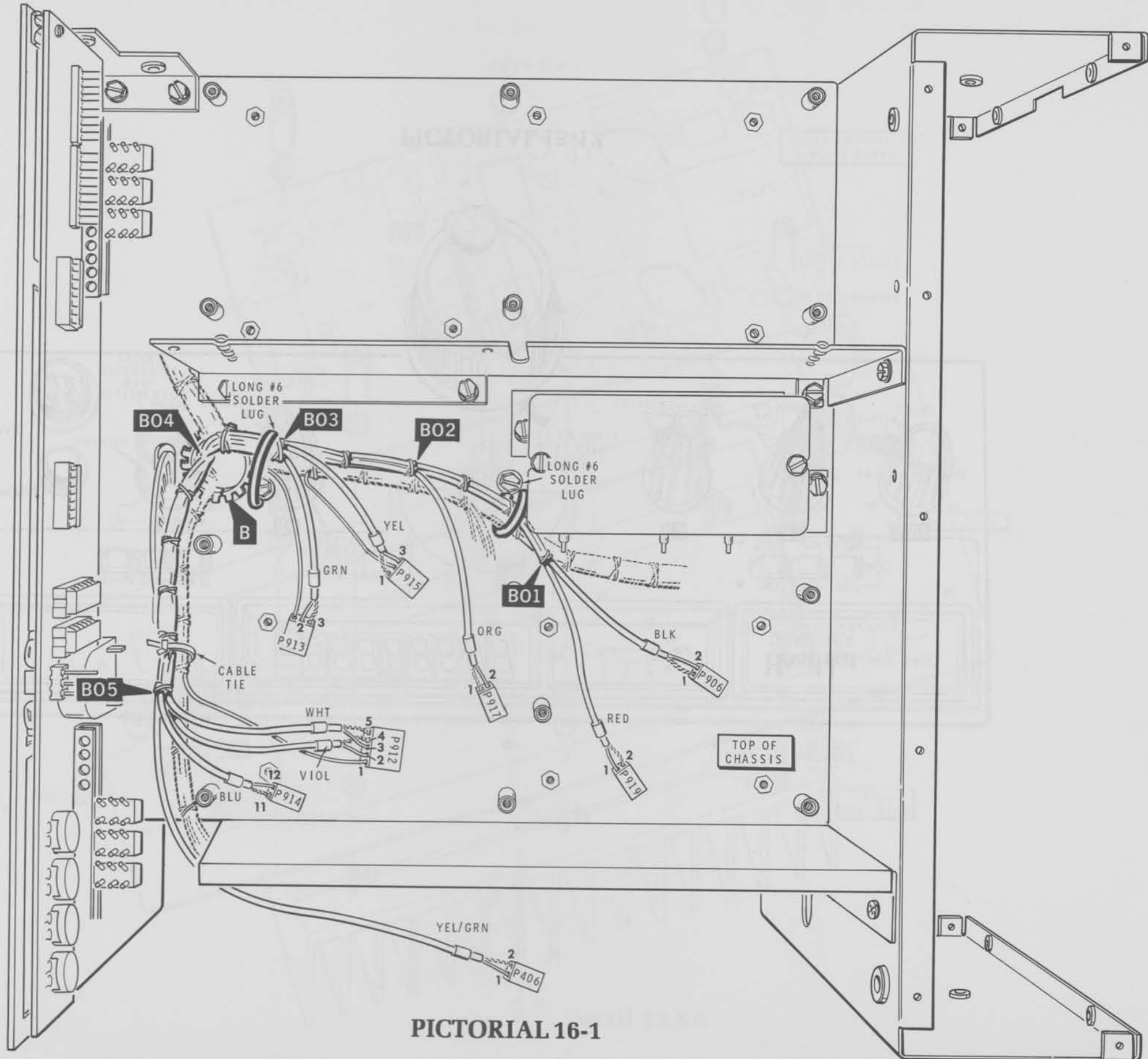
**PICTORIAL 15-10**



PICTORIAL 15-11

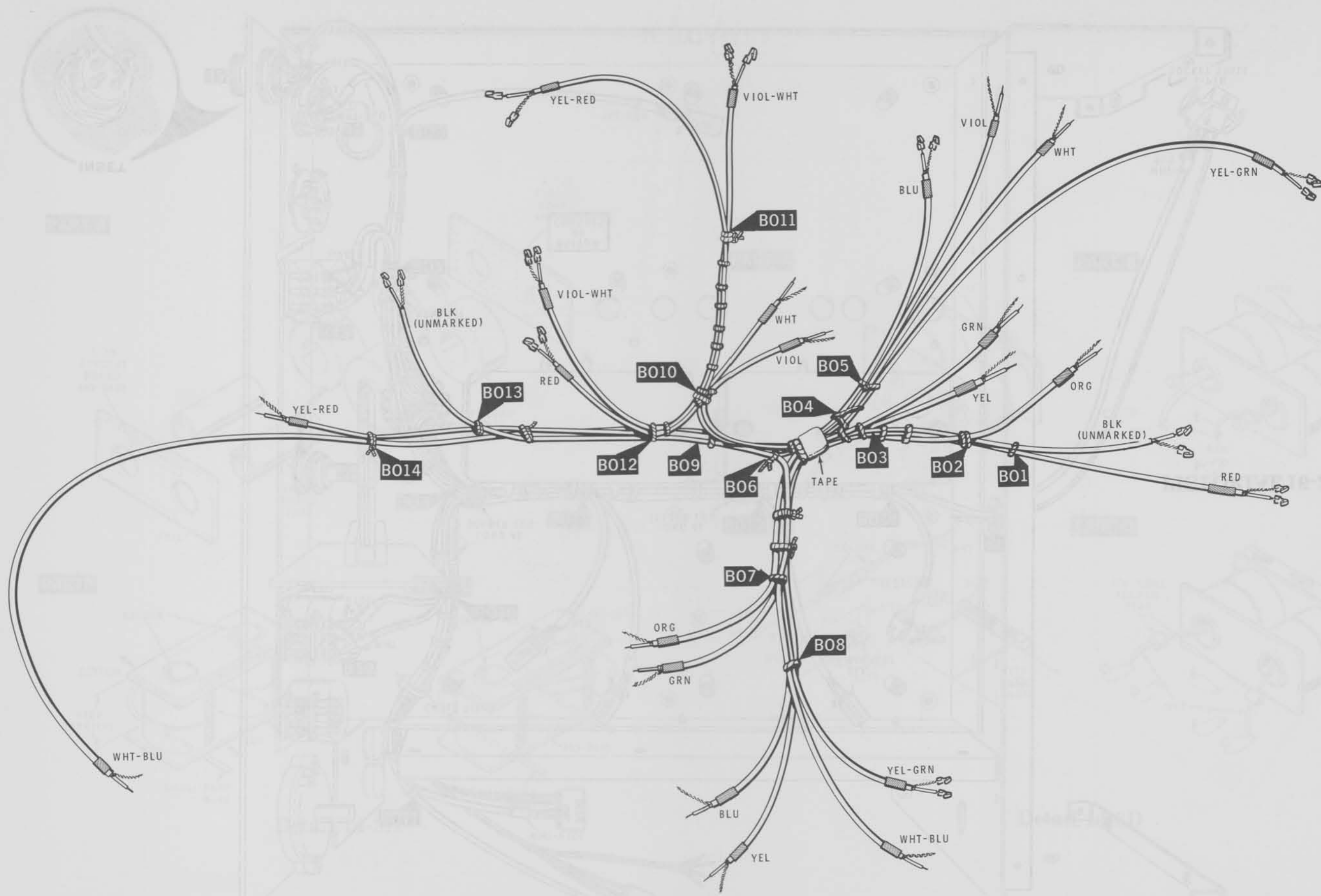


PICTORIAL 15-12

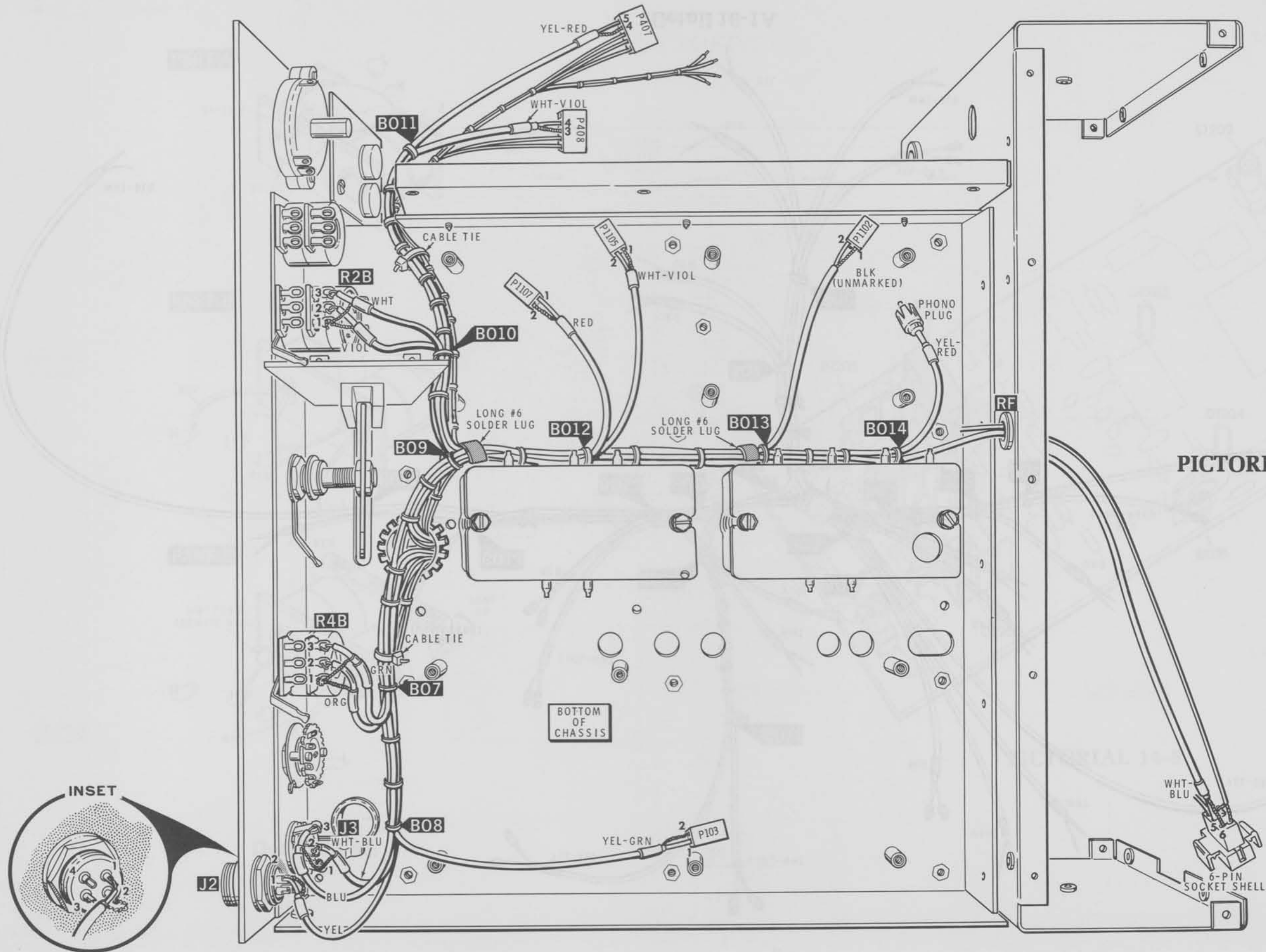


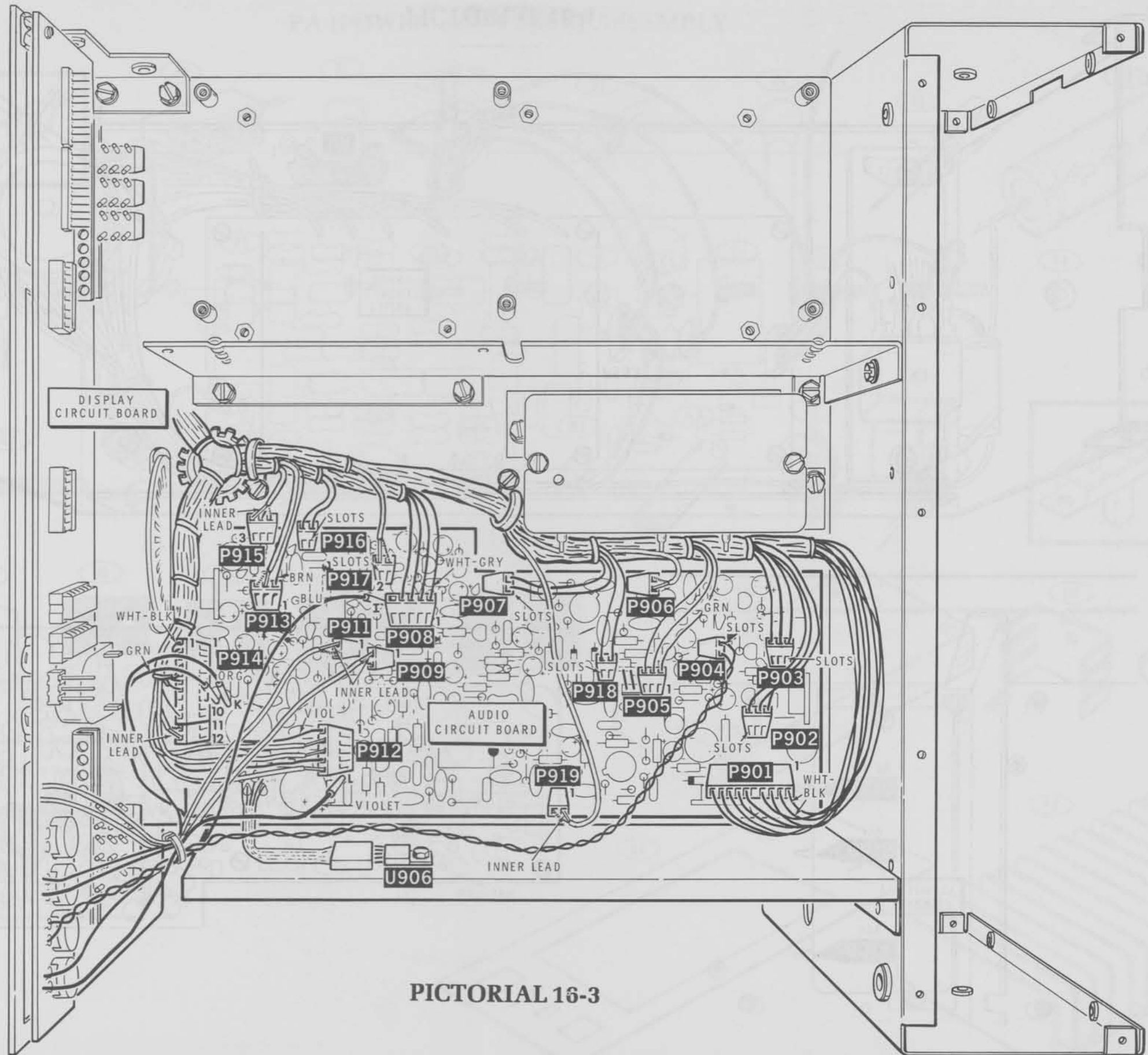
PICTORIAL 16-1



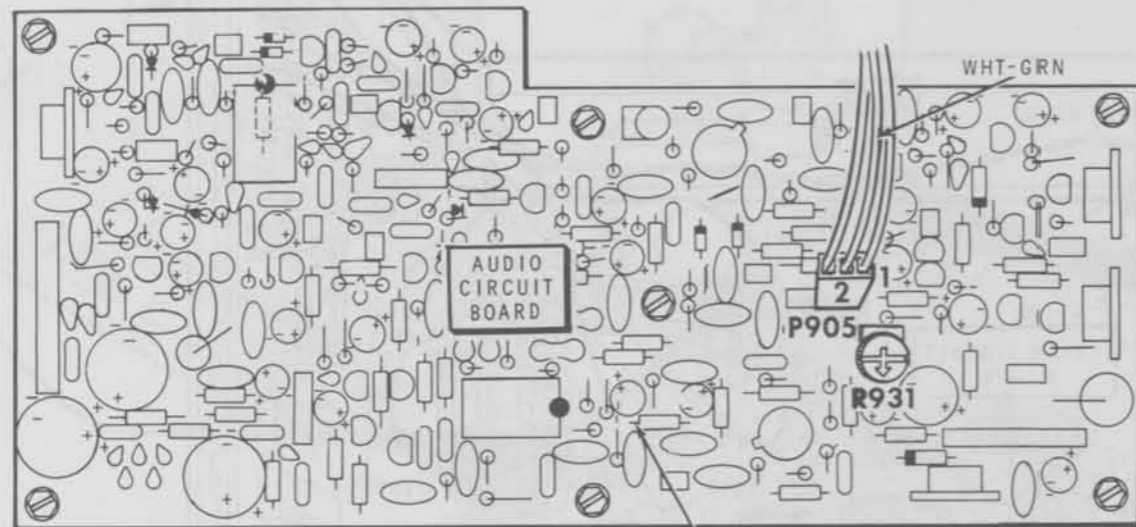


**Detail 16-1A**

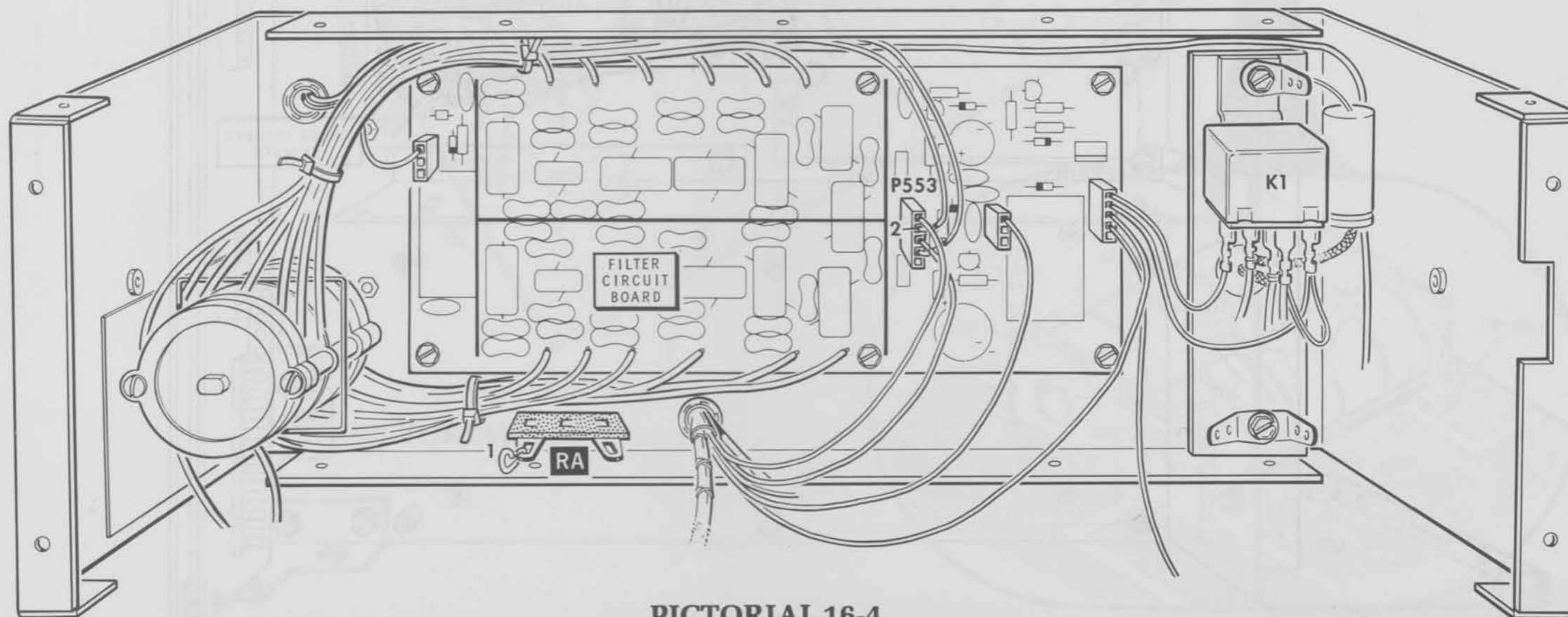
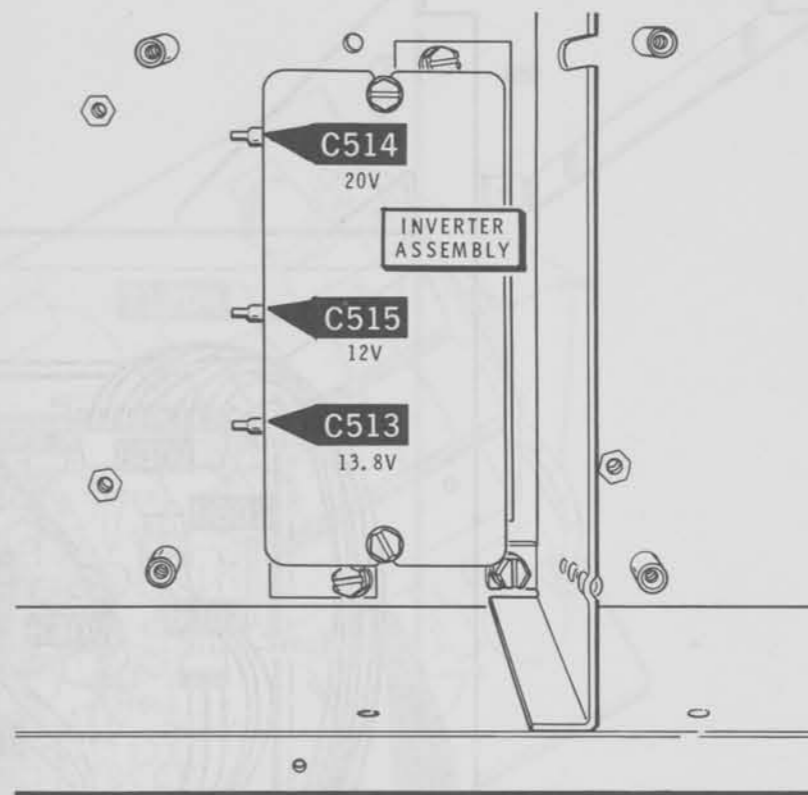




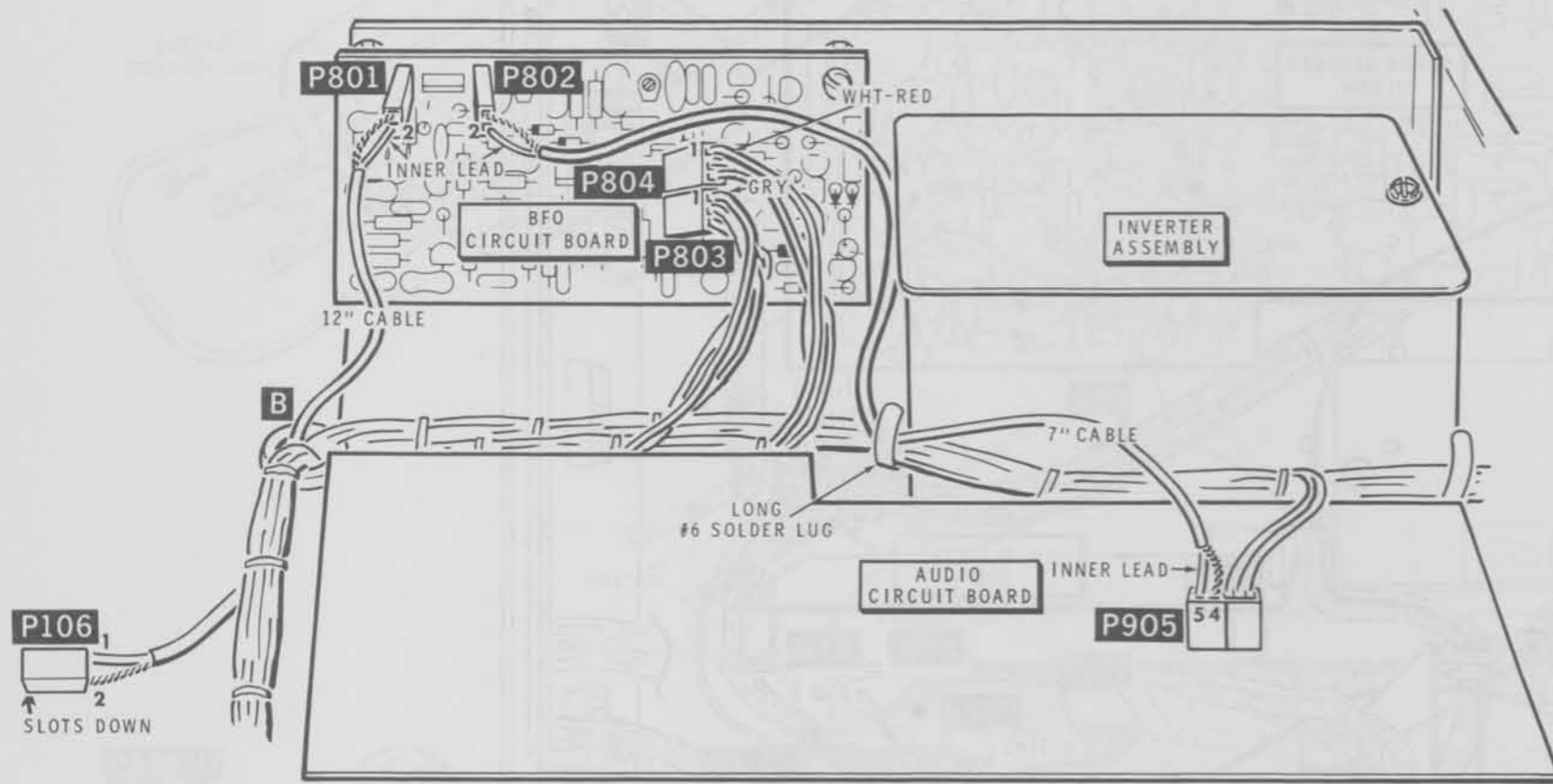
PICTORIAL 16-3



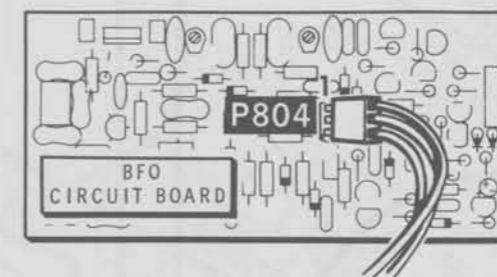
R1004  
120KΩ  
(BRN-RED-YEL)



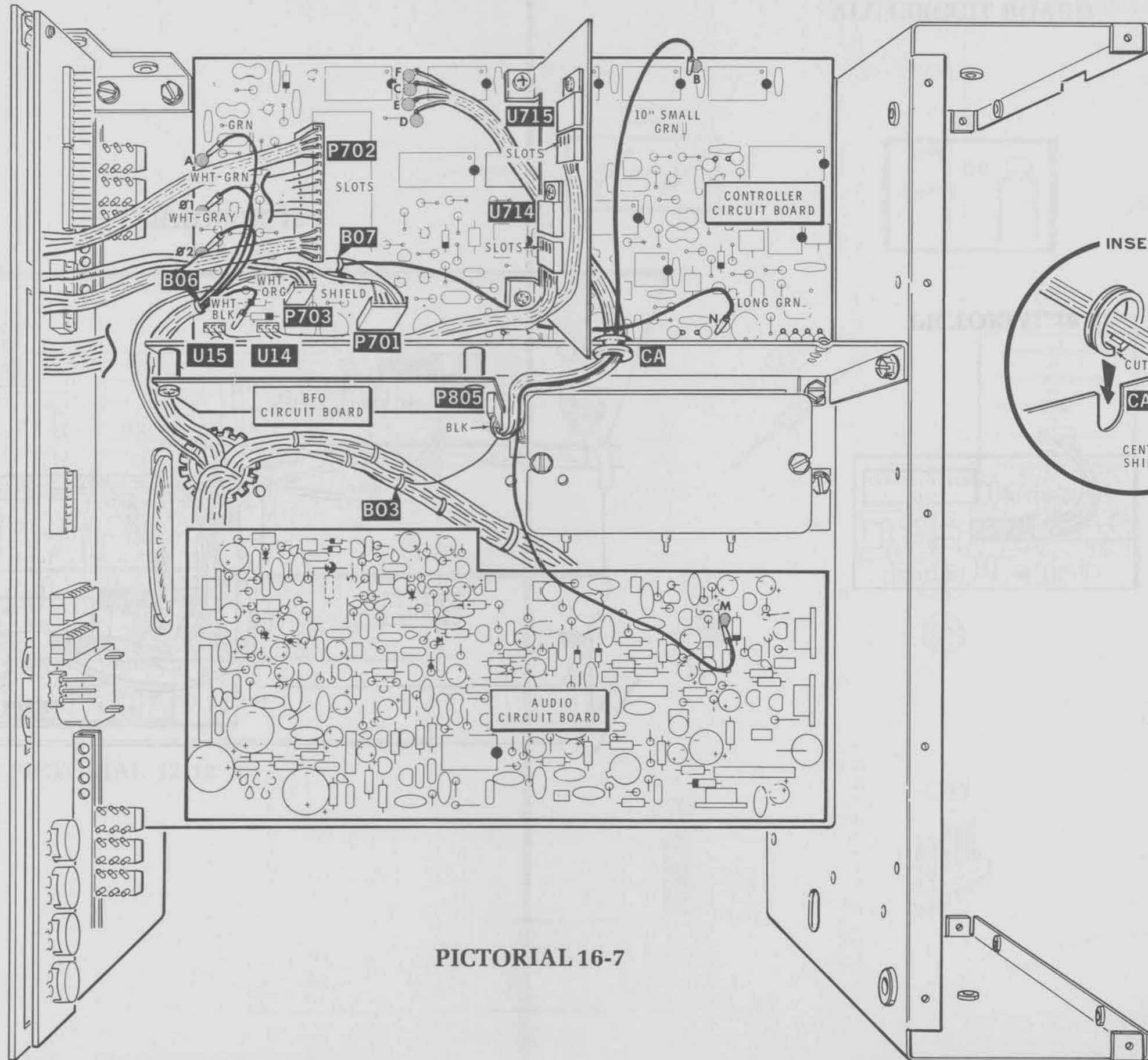
PICTORIAL 16-4



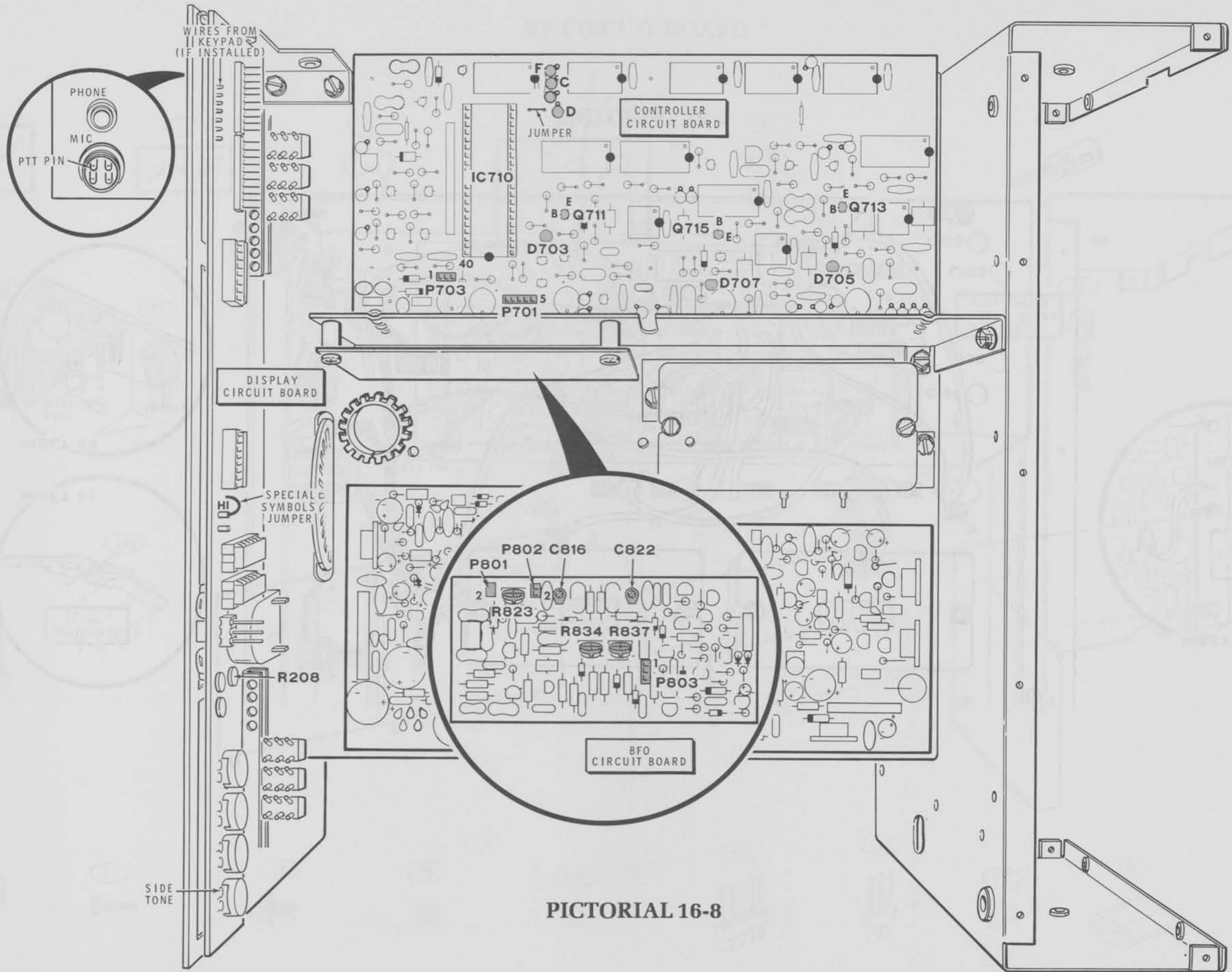
**PICTORIAL 16-5**



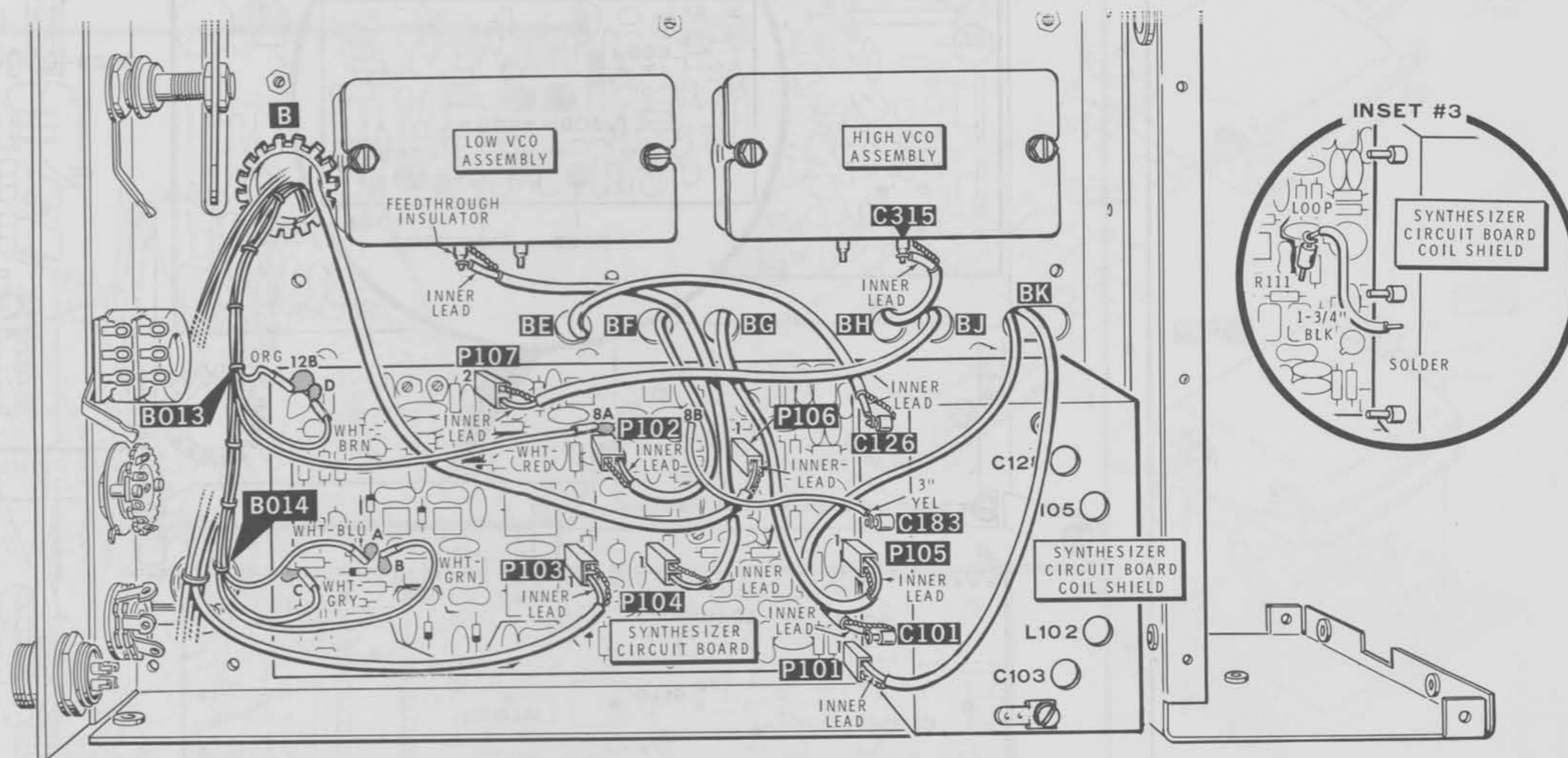
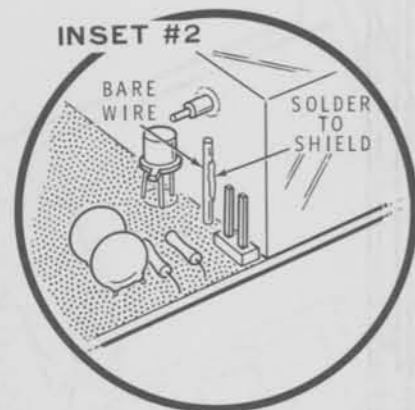
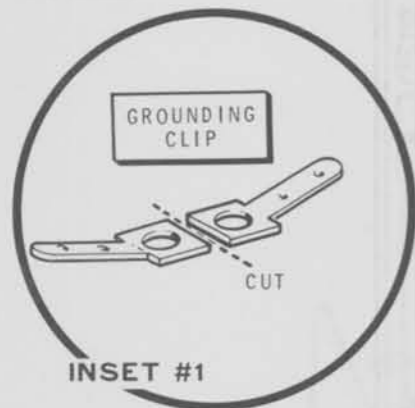
**PICTORIAL 16-6**



PICTORIAL 16-7

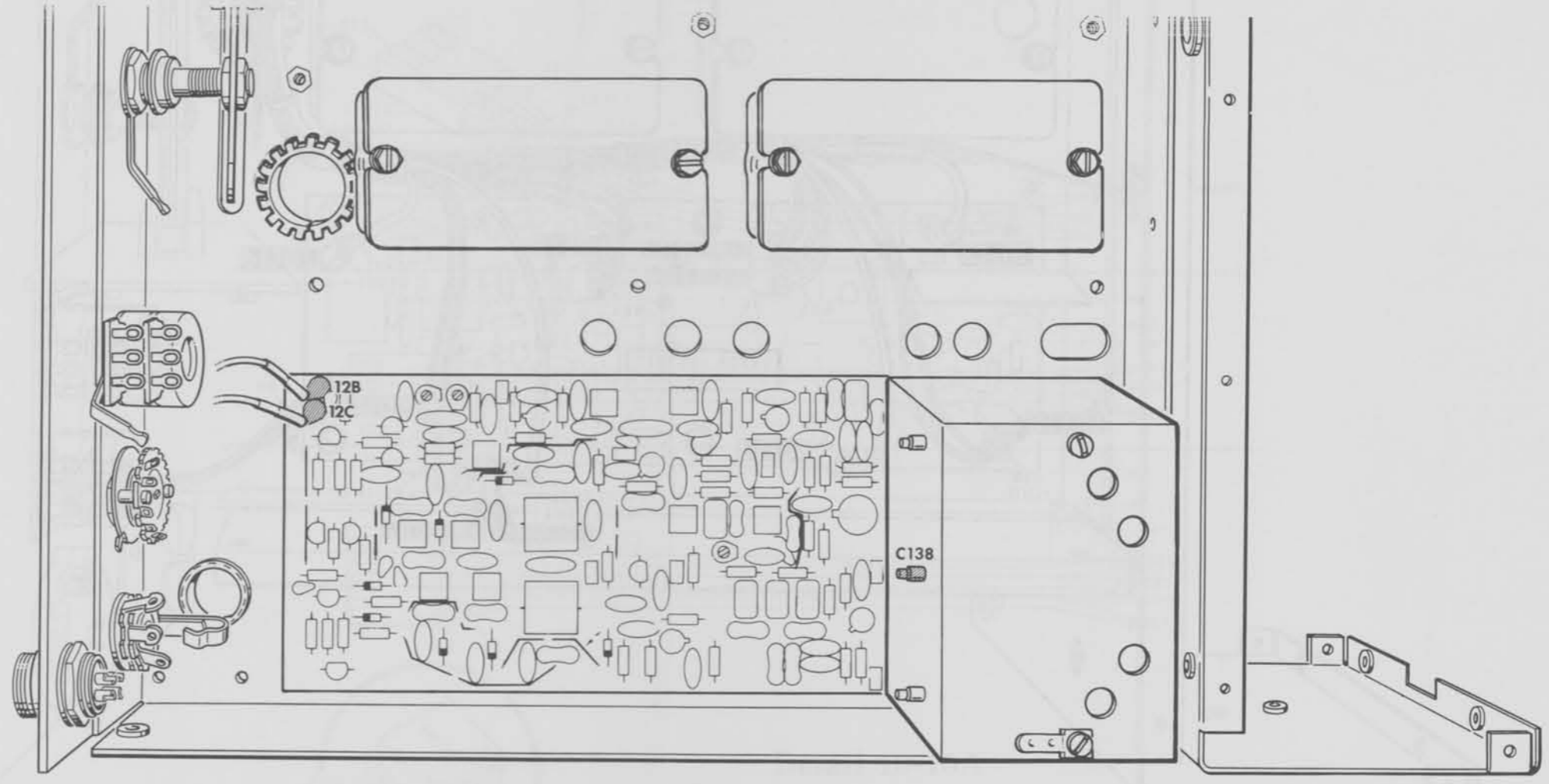


PICTORIAL 16-8

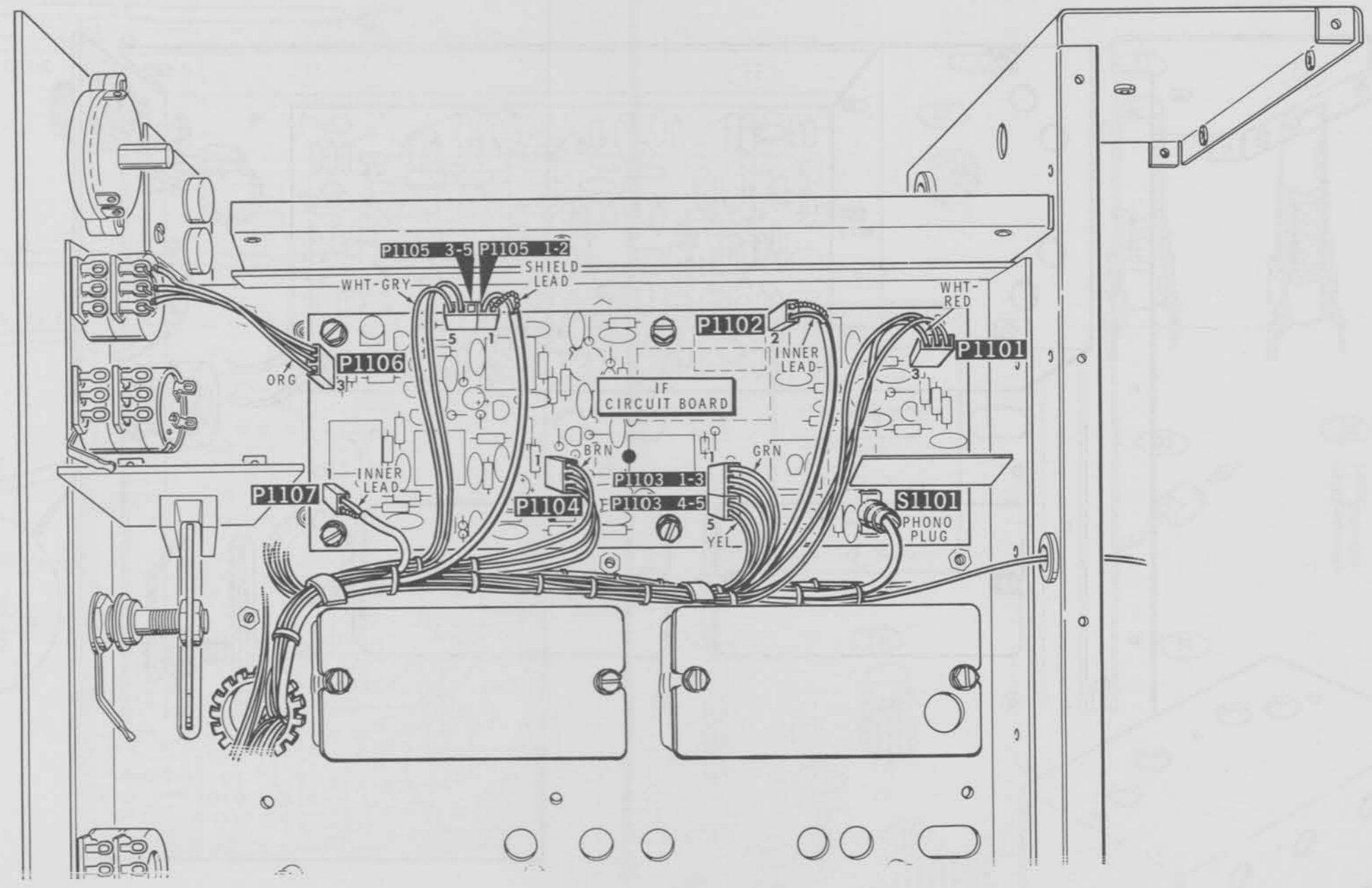


PICTORIAL 16-9

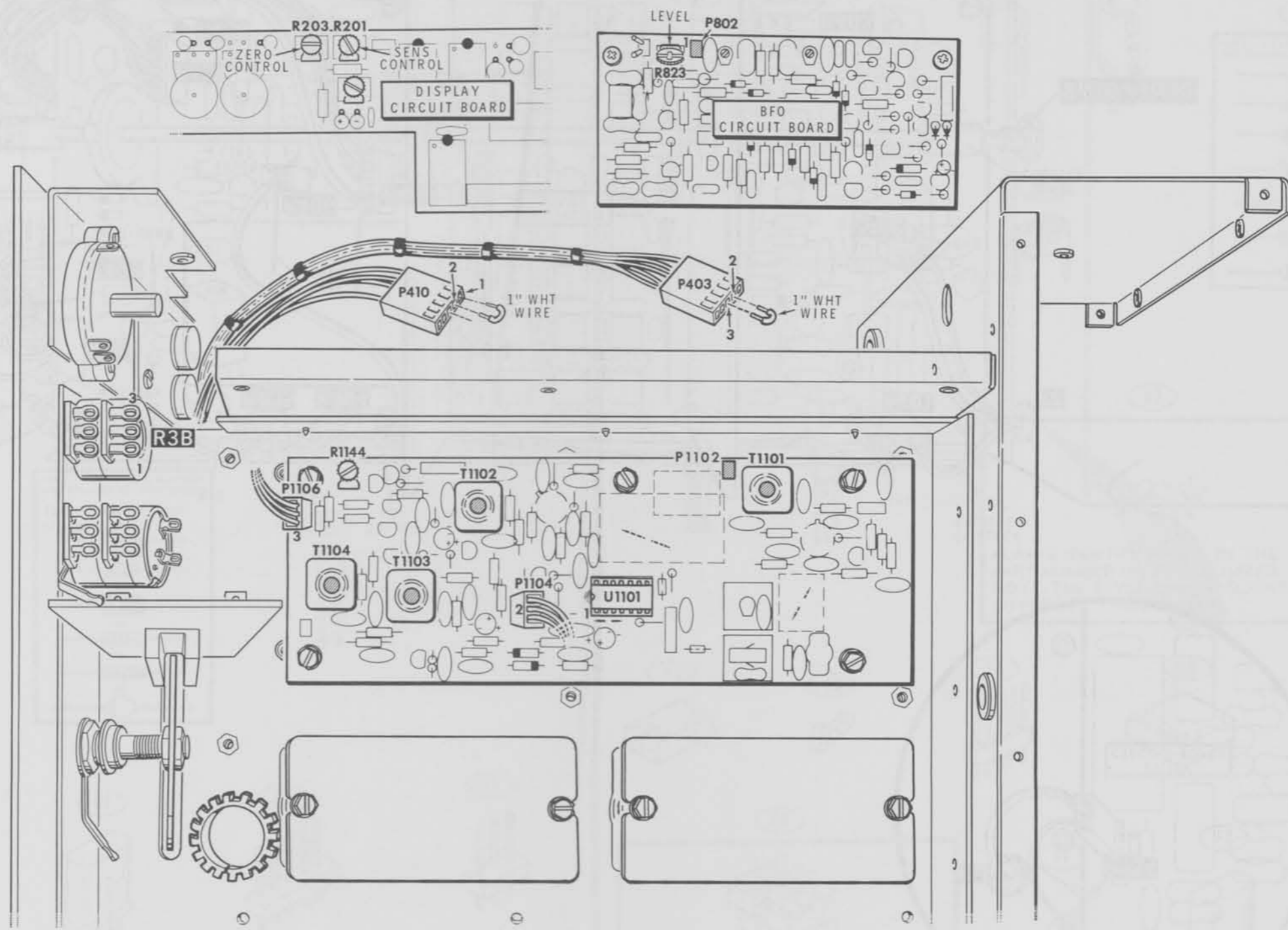




PICTORIAL 16-10

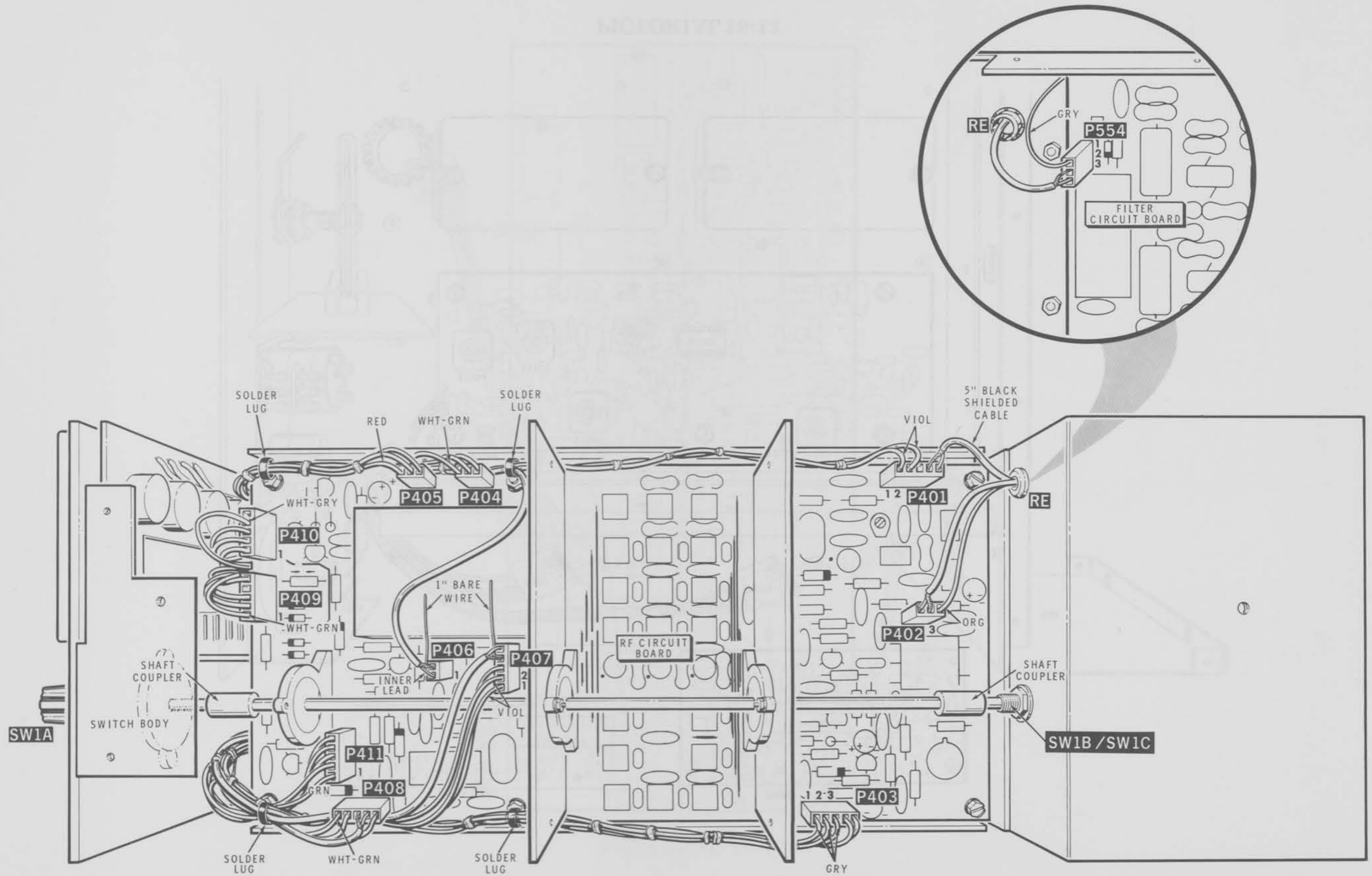


PICTORIAL 16-11



PICTORIAL 16-12

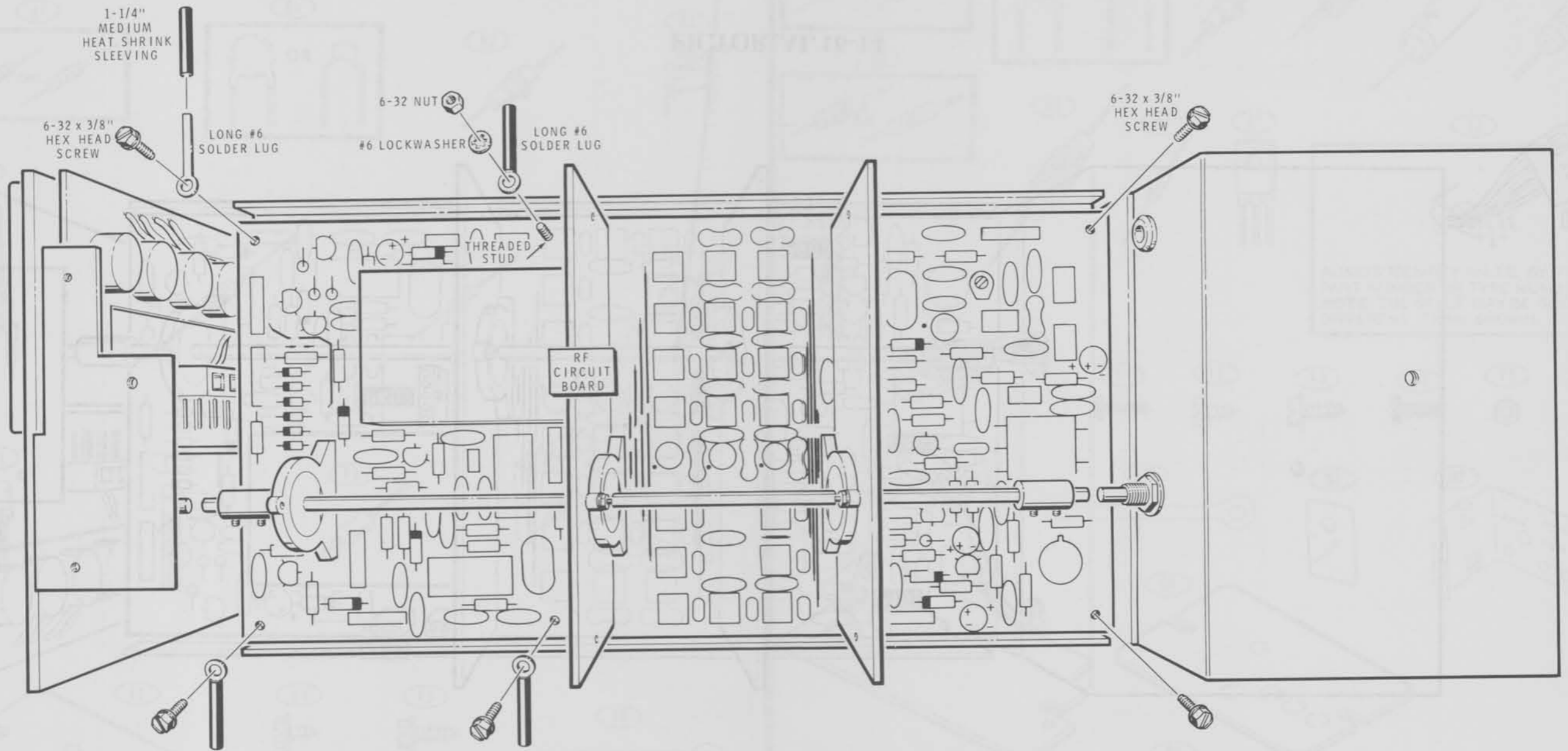
W0108177 16-13



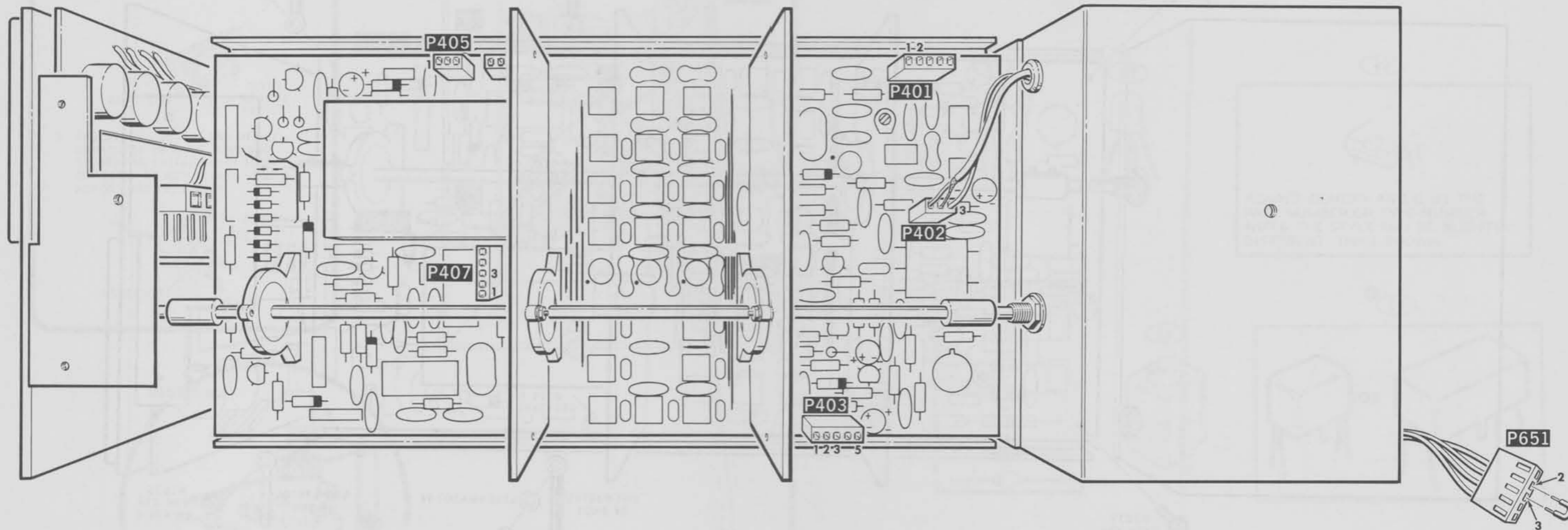
PICTORIAL 16-13

LOW VOLT ASSEMBLY

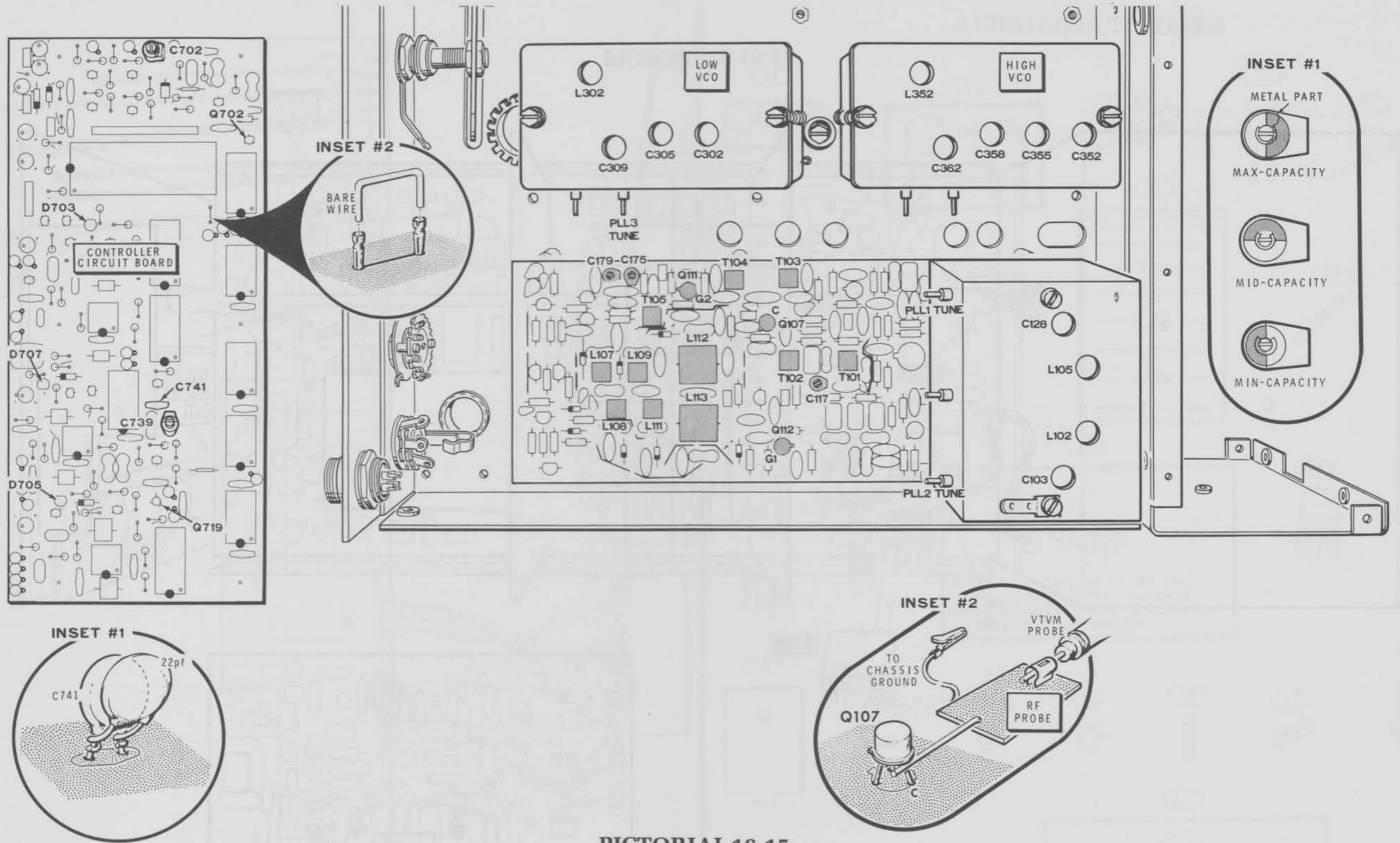
INVERTER ASSEMBLY



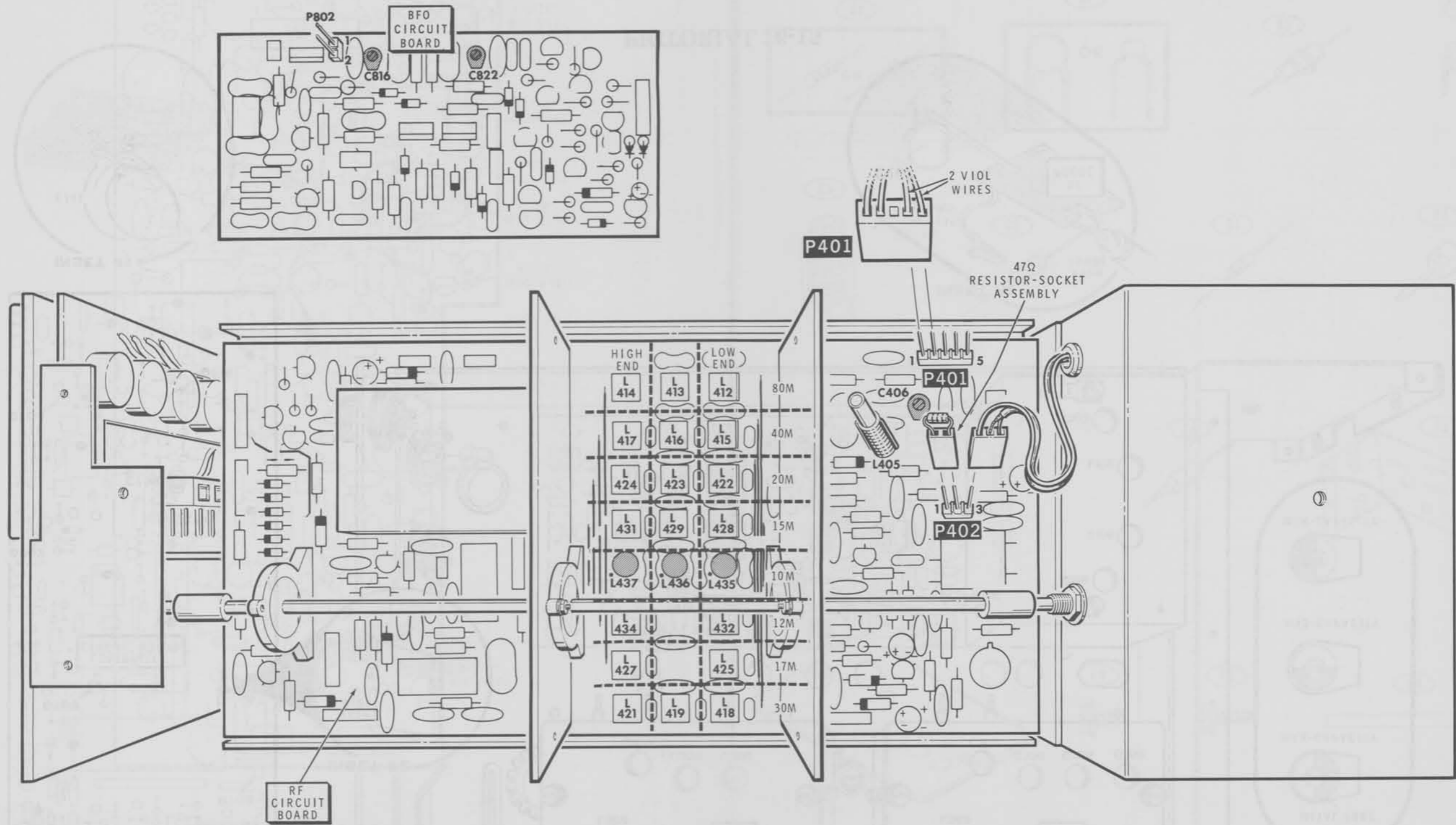
Detail 16-13C



PICTORIAL 16-14

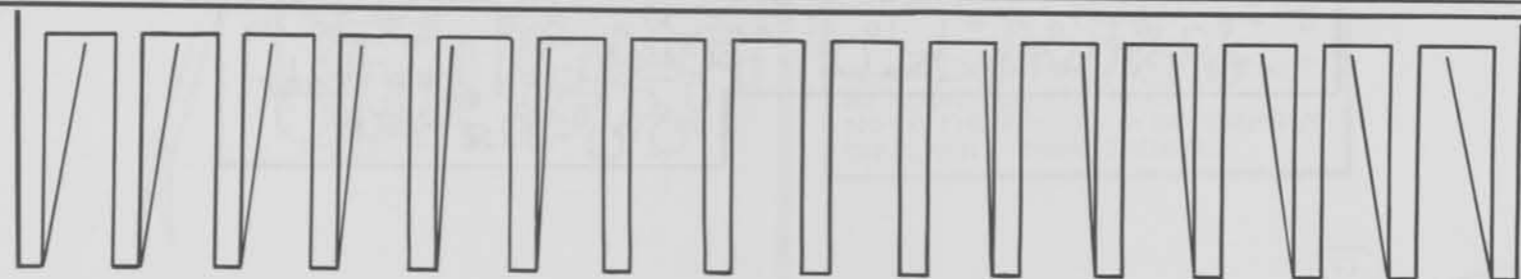
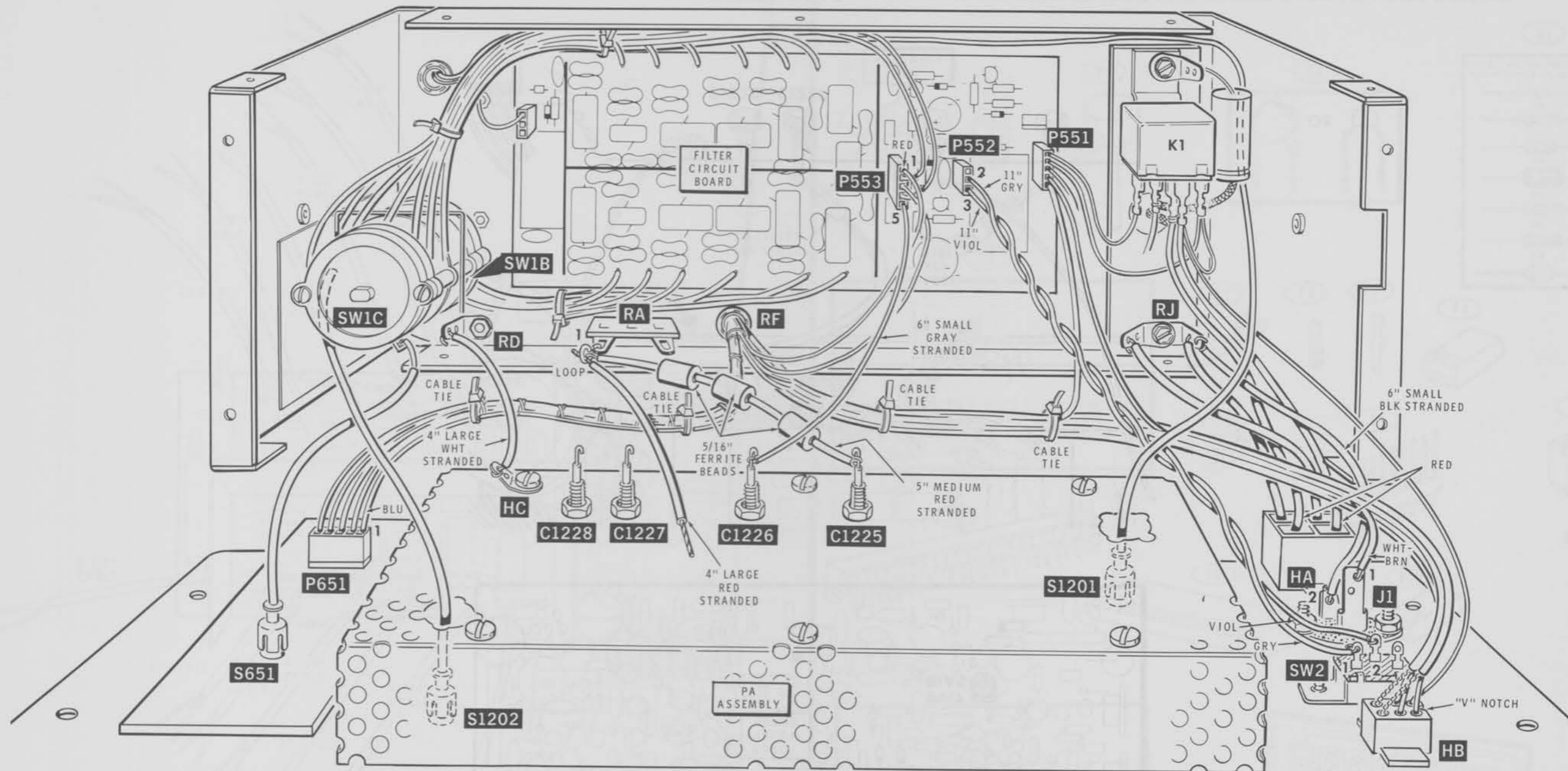


PICTORIAL 16-15



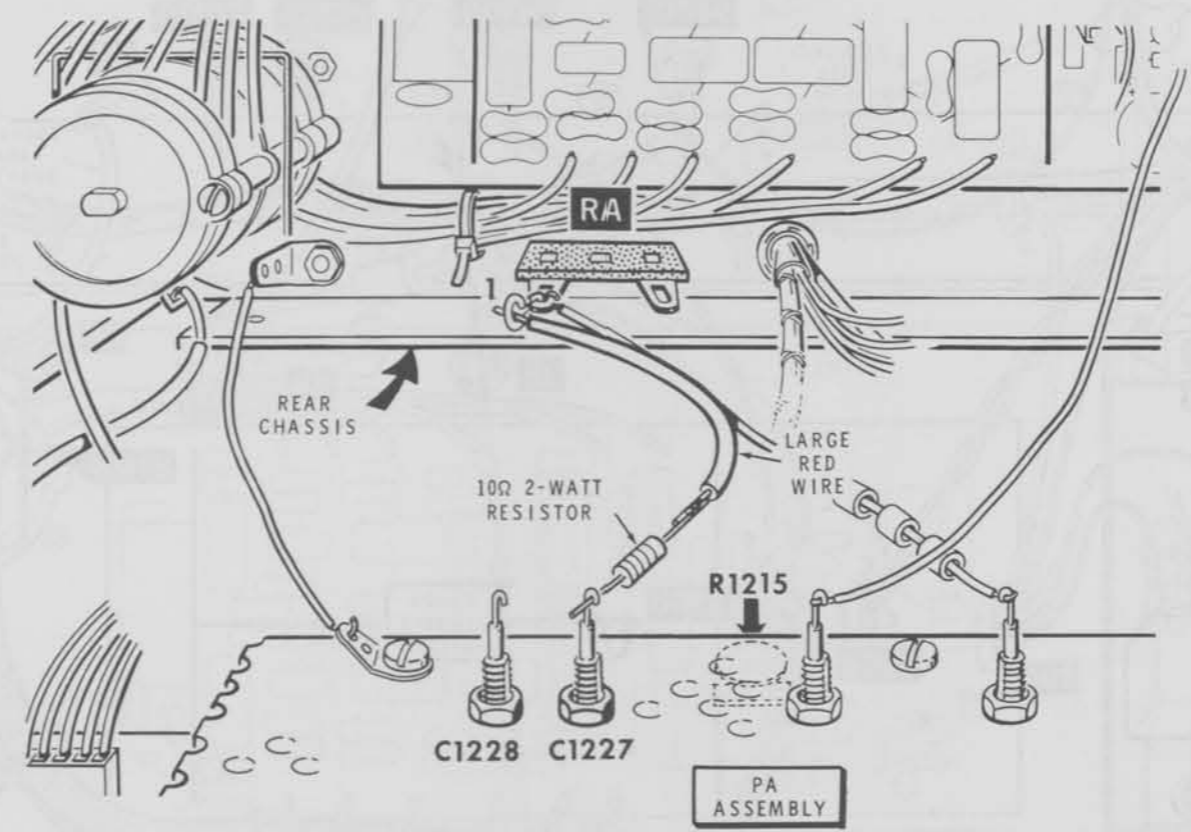
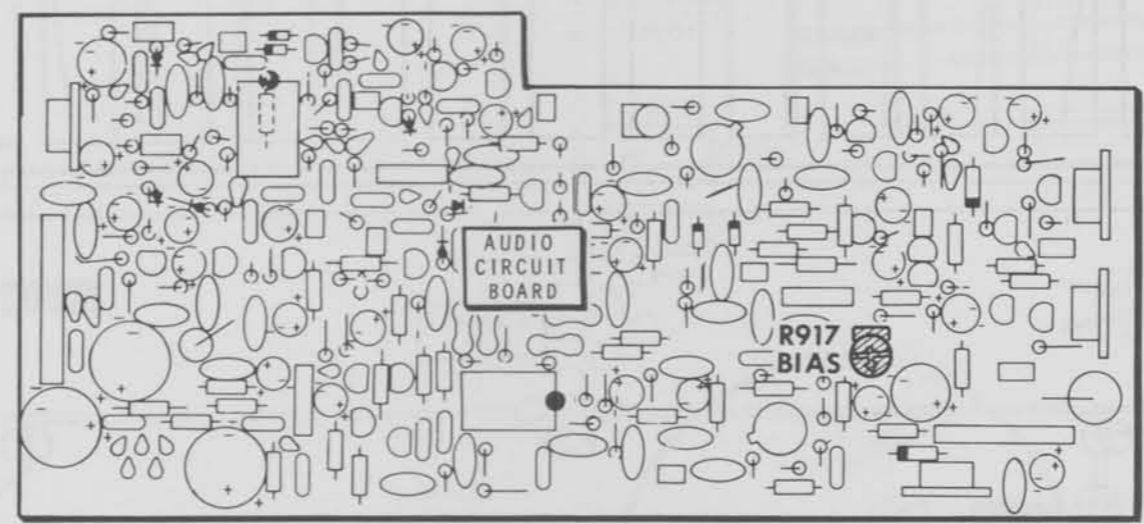
PICTORIAL 16-16



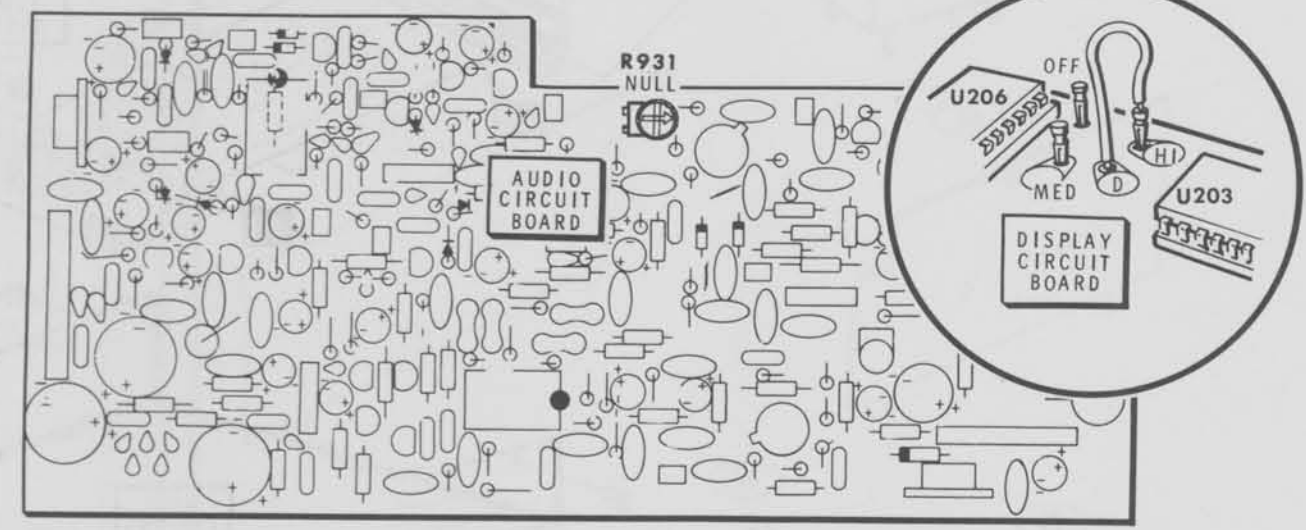
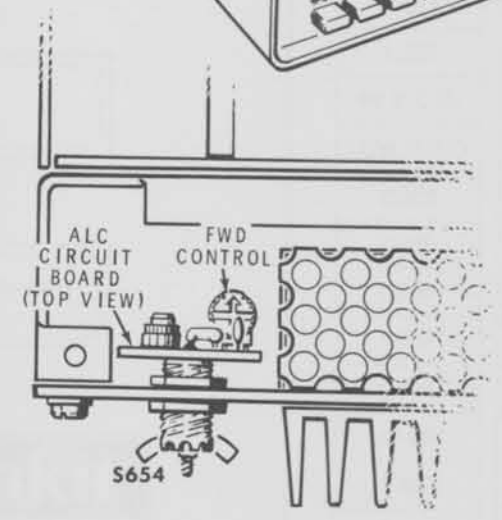
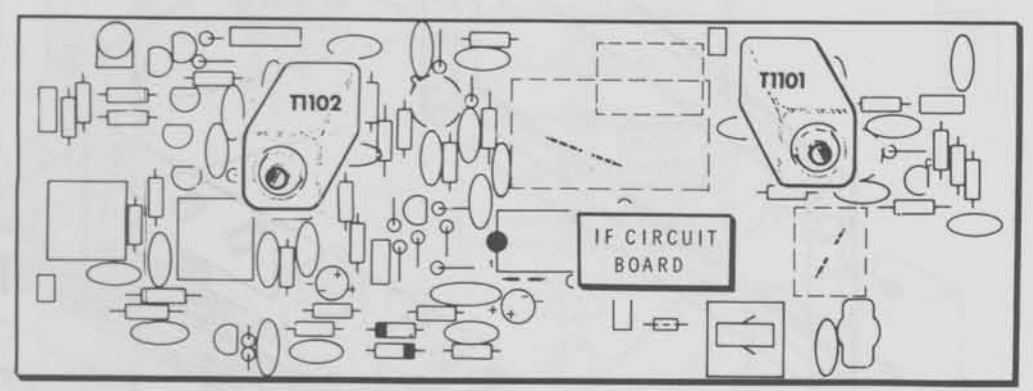
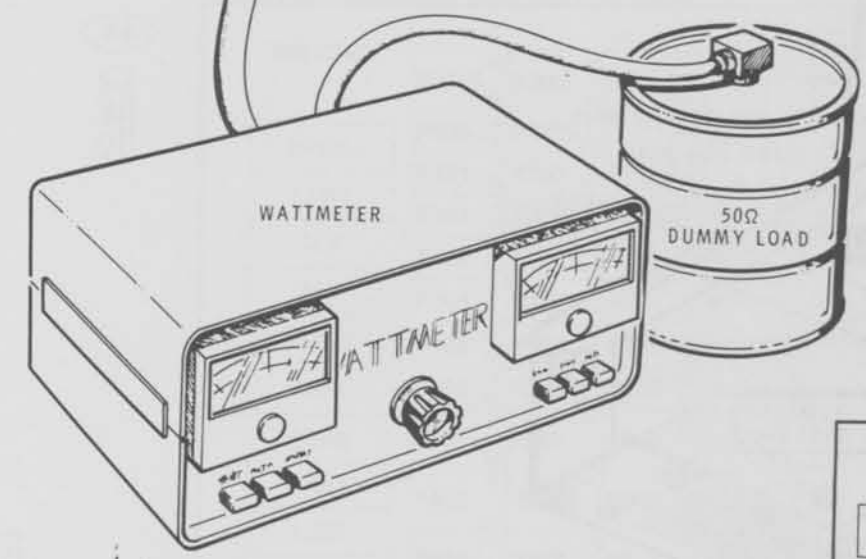
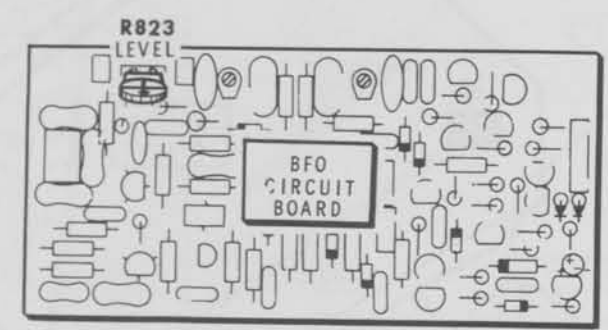
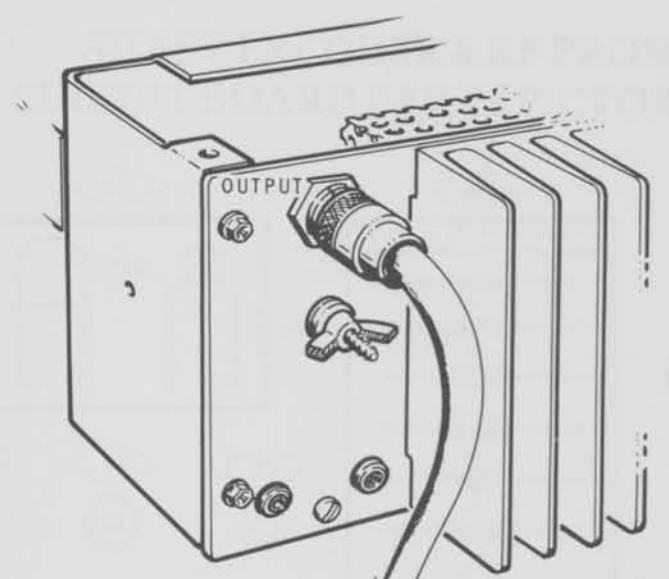


PICTORIAL 16-17

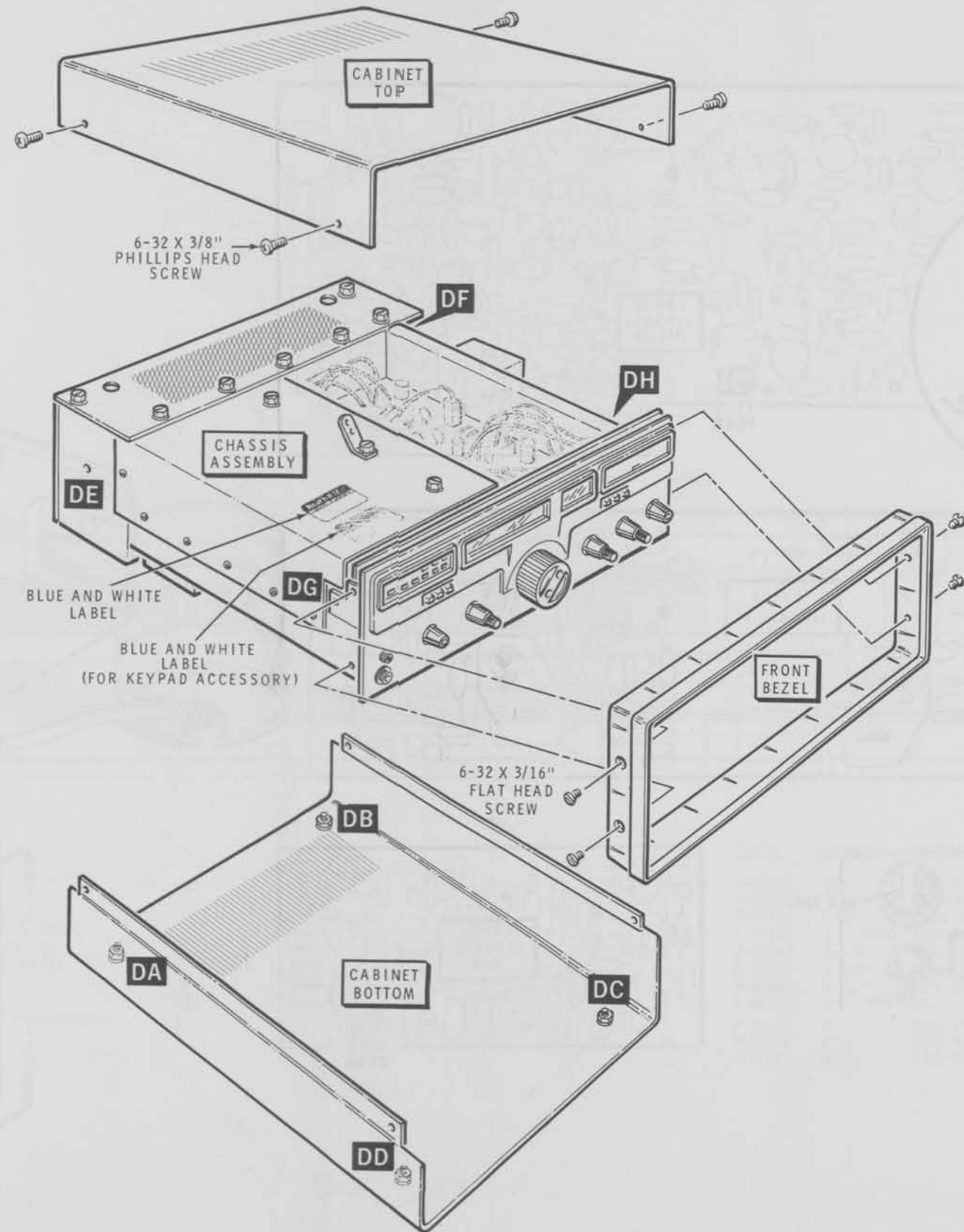
PICTORIAL 16-17



PICTORIAL 16-18



PICTORIAL 16-20



PICTORIAL 17-3