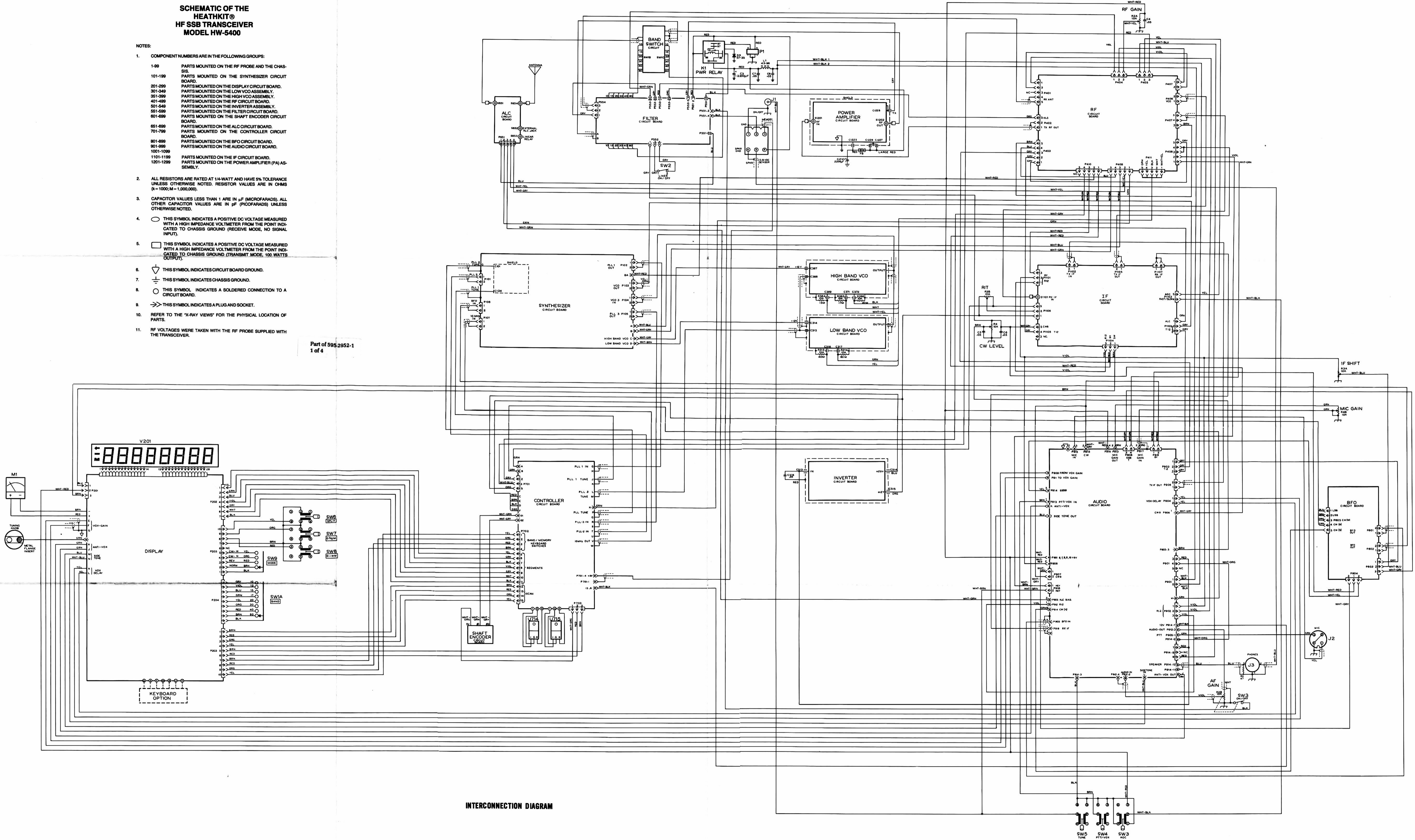


**SCHEMATIC OF THE  
HEATHKIT®  
HF SSB TRANSCEIVER  
MODEL HW-5400**

**NOTES:**

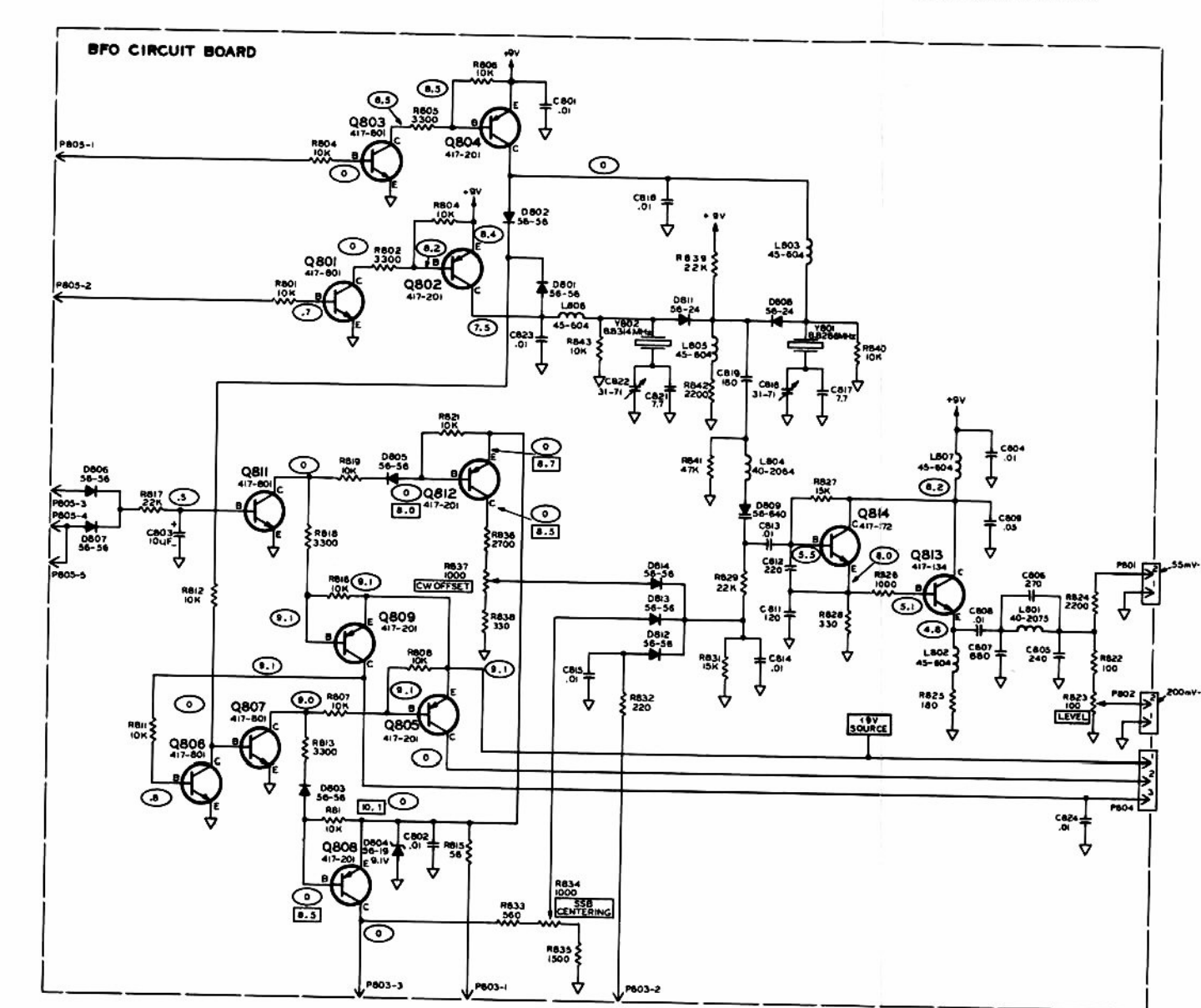
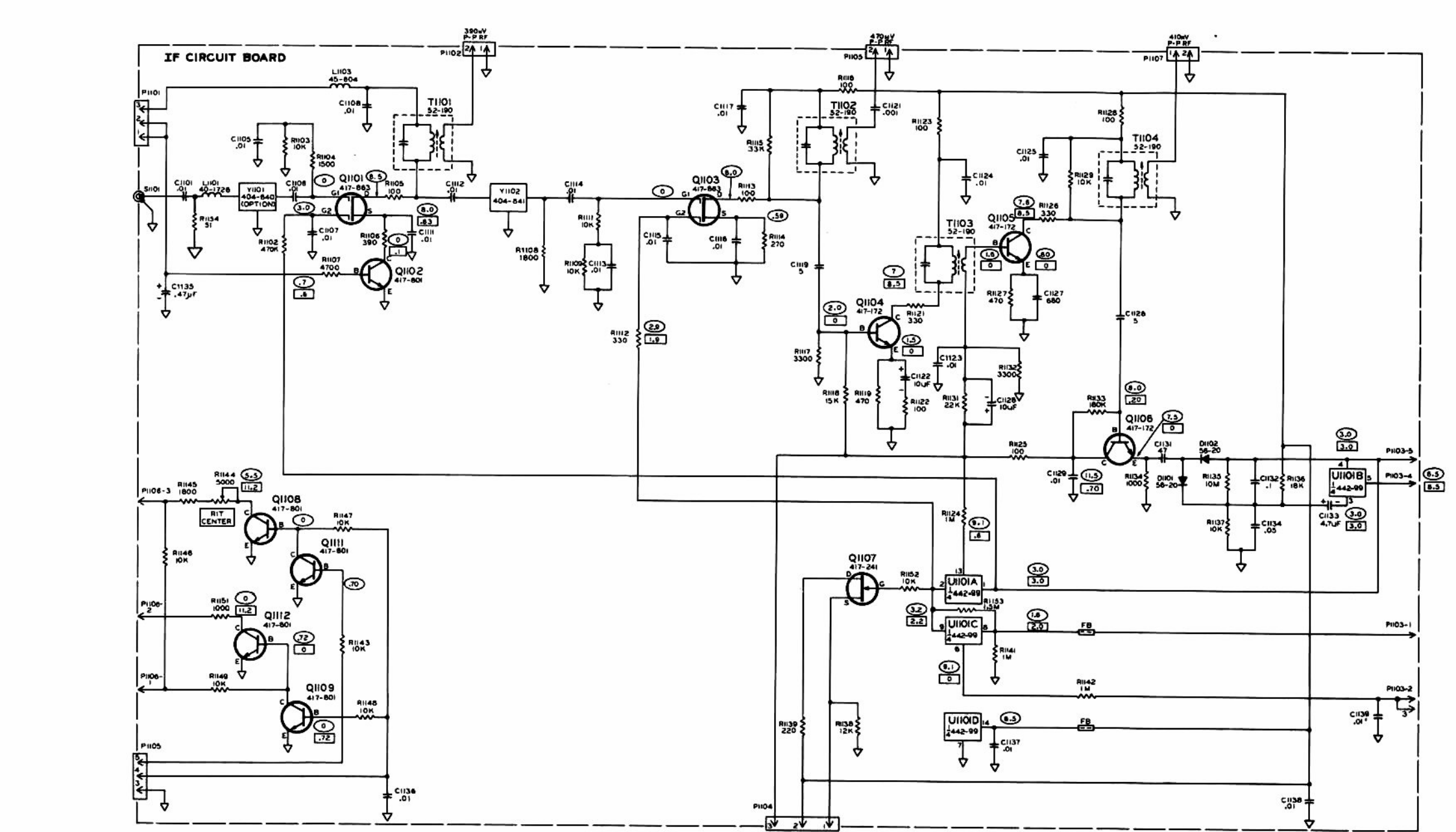
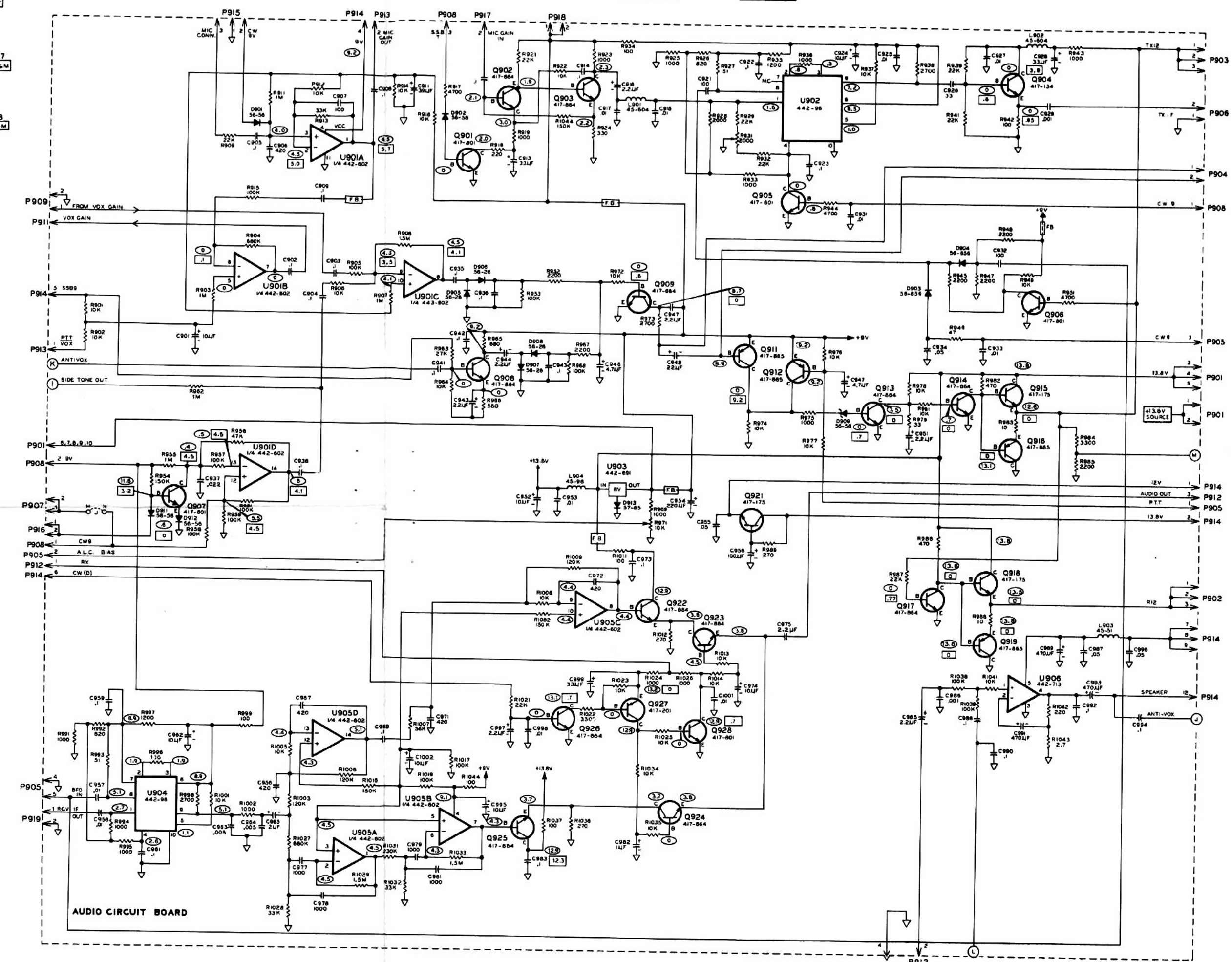
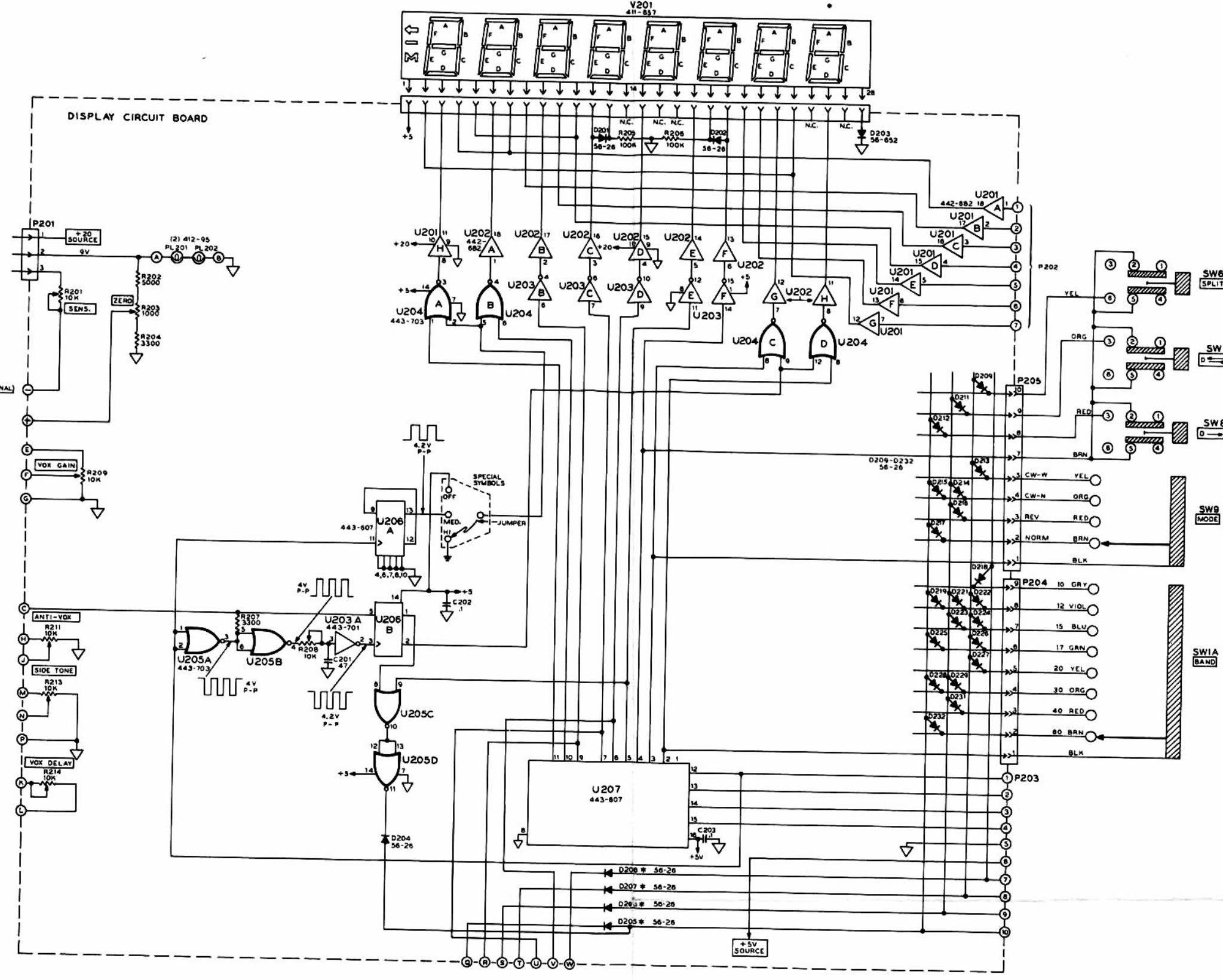
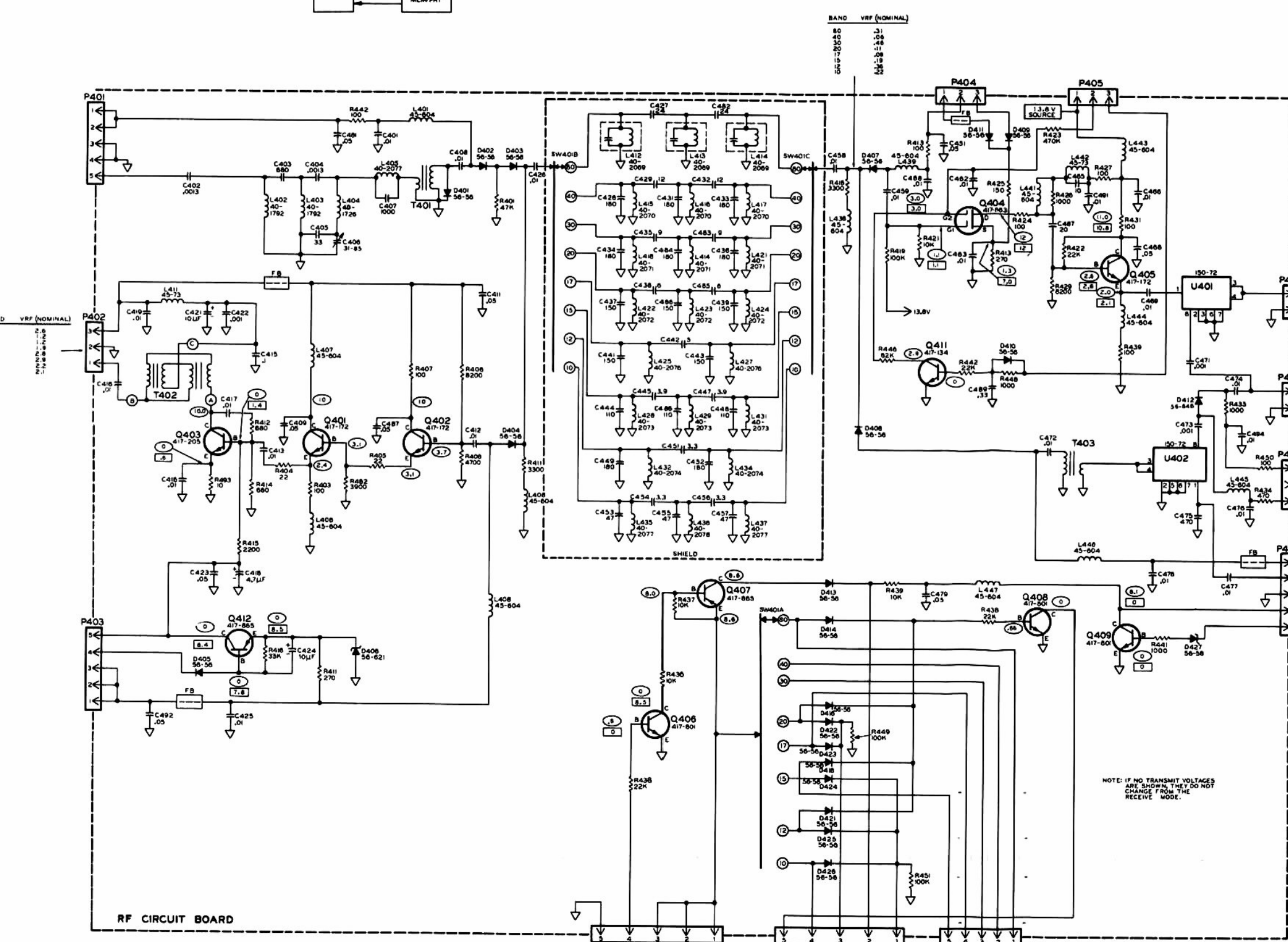
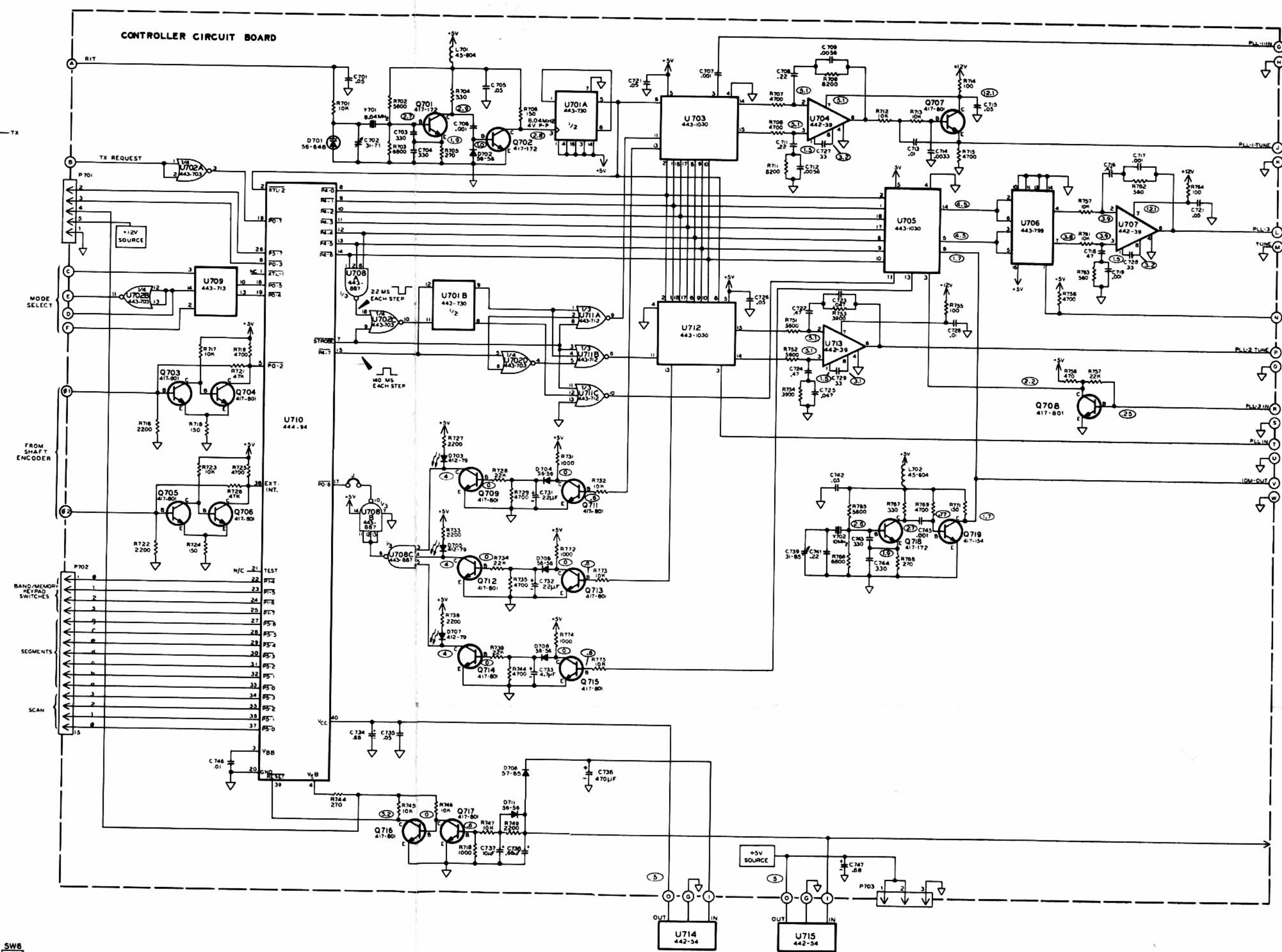
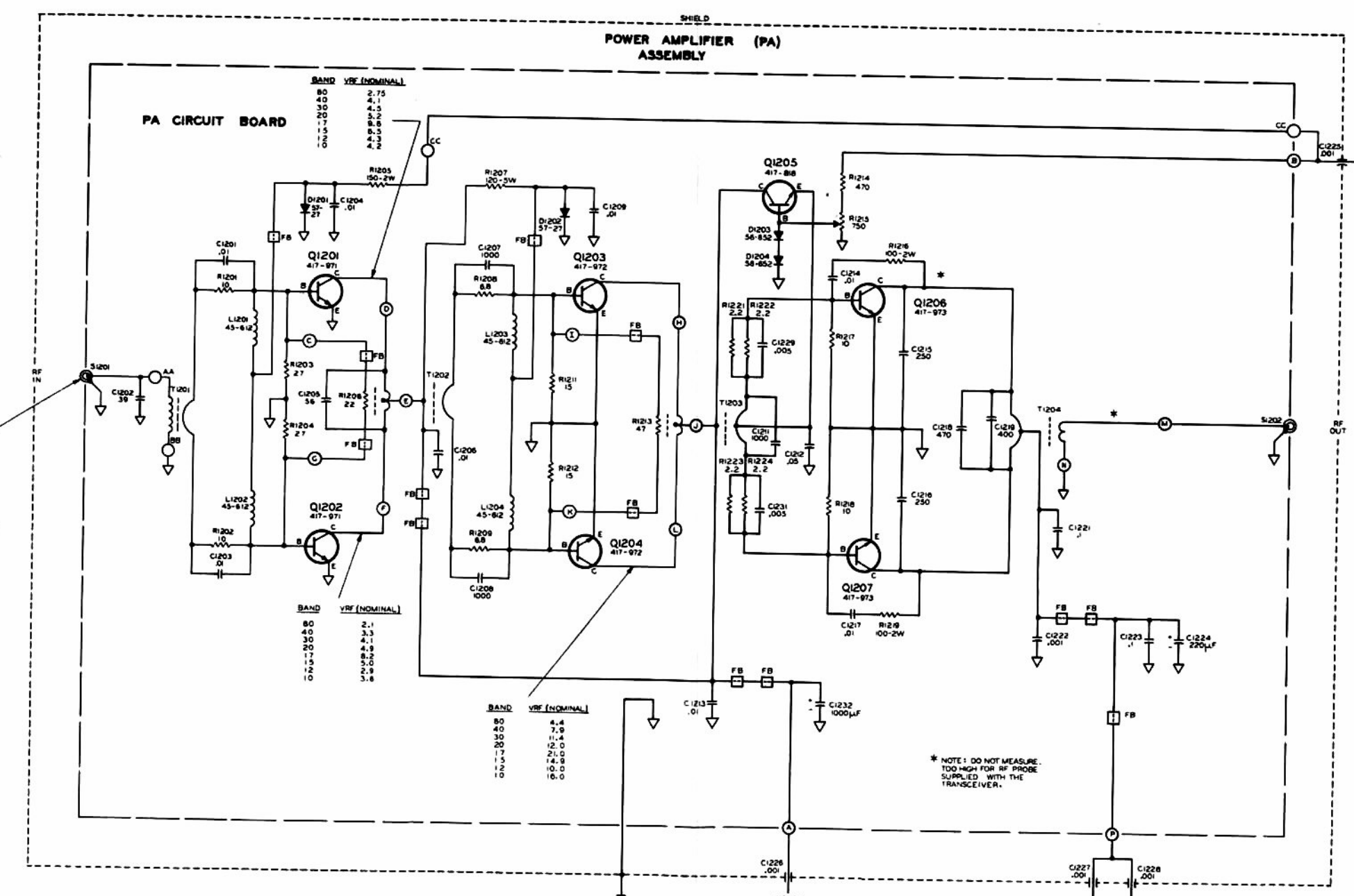
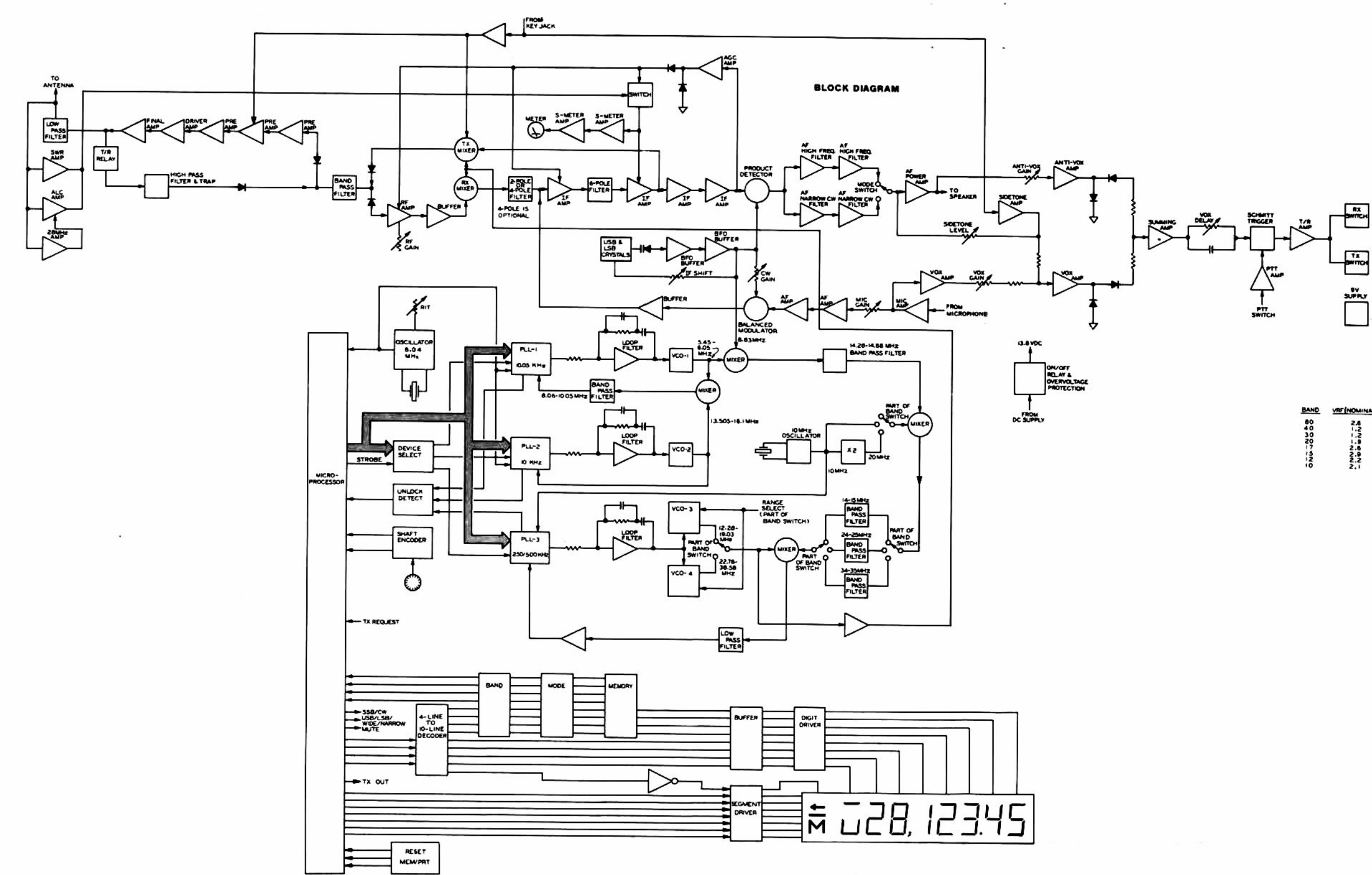
- COMPONENT NUMBERS ARE IN THE FOLLOWING GROUPS:  
 1-99 PARTS MOUNTED ON THE RF PROBE AND THE CHASSIS.  
 101-199 PARTS MOUNTED ON THE SYNTHESIZER CIRCUIT BOARD.  
 201-299 PARTS MOUNTED ON THE DISPLAY CIRCUIT BOARD.  
 301-349 PARTS MOUNTED ON THE LOW VCO ASSEMBLY.  
 351-399 PARTS MOUNTED ON THE HIGH VCO ASSEMBLY.  
 401-499 PARTS MOUNTED ON THE RF CIRCUIT BOARD.  
 501-549 PARTS MOUNTED ON THE INVERTER ASSEMBLY.  
 551-599 PARTS MOUNTED ON THE FILTER CIRCUIT BOARD.  
 601-699 PARTS MOUNTED ON THE SHAFT ENCODER CIRCUIT BOARD.  
 801-899 PARTS MOUNTED ON THE ALC CIRCUIT BOARD.  
 901-999 PARTS MOUNTED ON THE CONTROLLER CIRCUIT BOARD.  
 1001-1099 PARTS MOUNTED ON THE BFO CIRCUIT BOARD.  
 1101-1199 PARTS MOUNTED ON THE IF CIRCUIT BOARD.  
 1201-1299 PARTS MOUNTED ON THE POWER AMPLIFIER (PA) ASSEMBLY.
- ALL RESISTORS ARE RATED AT 1/4-WATT AND HAVE 5% TOLERANCE UNLESS OTHERWISE NOTED. RESISTOR VALUES ARE IN OHMS (R=1000; M=1,000,000).
- CAPACITOR VALUES LESS THAN 1 ARE IN  $\mu$ F (MICROFARADS). ALL OTHER CAPACITOR VALUES ARE IN pF (PICOFARADS) UNLESS OTHERWISE NOTED.
- THIS SYMBOL INDICATES A POSITIVE DC VOLTAGE MEASURED WITH A HIGH IMPEDANCE VOLTMETER FROM THE POINT INDICATED TO CHASSIS GROUND (RECEIVE MODE, NO SIGNAL INPUT).
- THIS SYMBOL INDICATES A POSITIVE DC VOLTAGE MEASURED WITH A HIGH IMPEDANCE VOLTMETER FROM THE POINT INDICATED TO CHASSIS GROUND (TRANSMIT MODE, 100 WATTS OUTPUT).
- THIS SYMBOL INDICATES CIRCUIT BOARD GROUND.
- THIS SYMBOL INDICATES CHASSIS GROUND.
- THIS SYMBOL INDICATES A SOLDERED CONNECTION TO A CIRCUIT BOARD.
- THIS SYMBOL INDICATES A PLUG AND SOCKET.
- REFER TO THE "X-RAY VIEWS" FOR THE PHYSICAL LOCATION OF PARTS.
- RF VOLTAGES WERE TAKEN WITH THE RF PROBE SUPPLIED WITH THE TRANSCEIVER.

Part of 5952952-1  
1 of 4



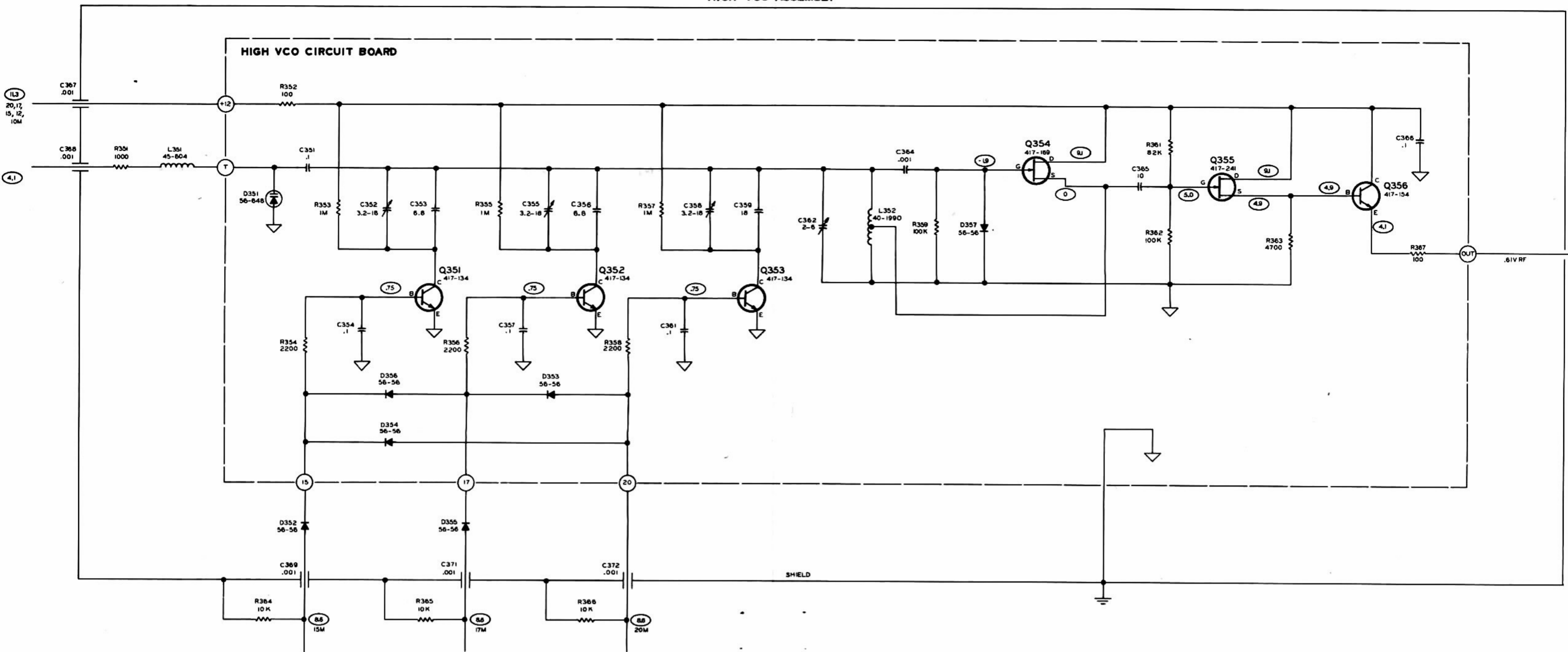
**INTERCONNECTION DIAGRAM**



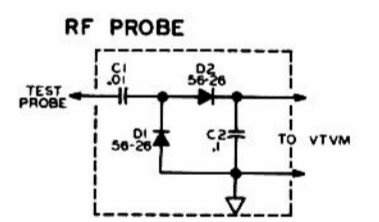
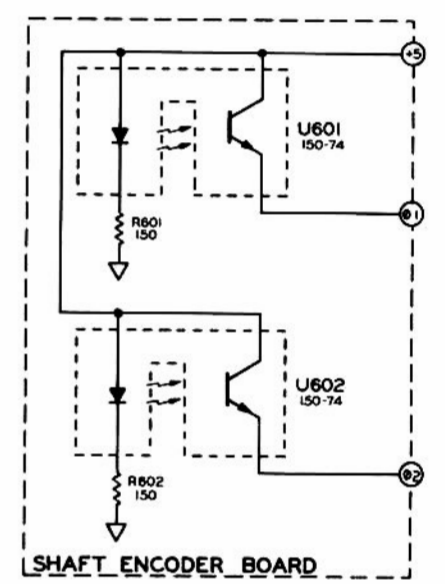
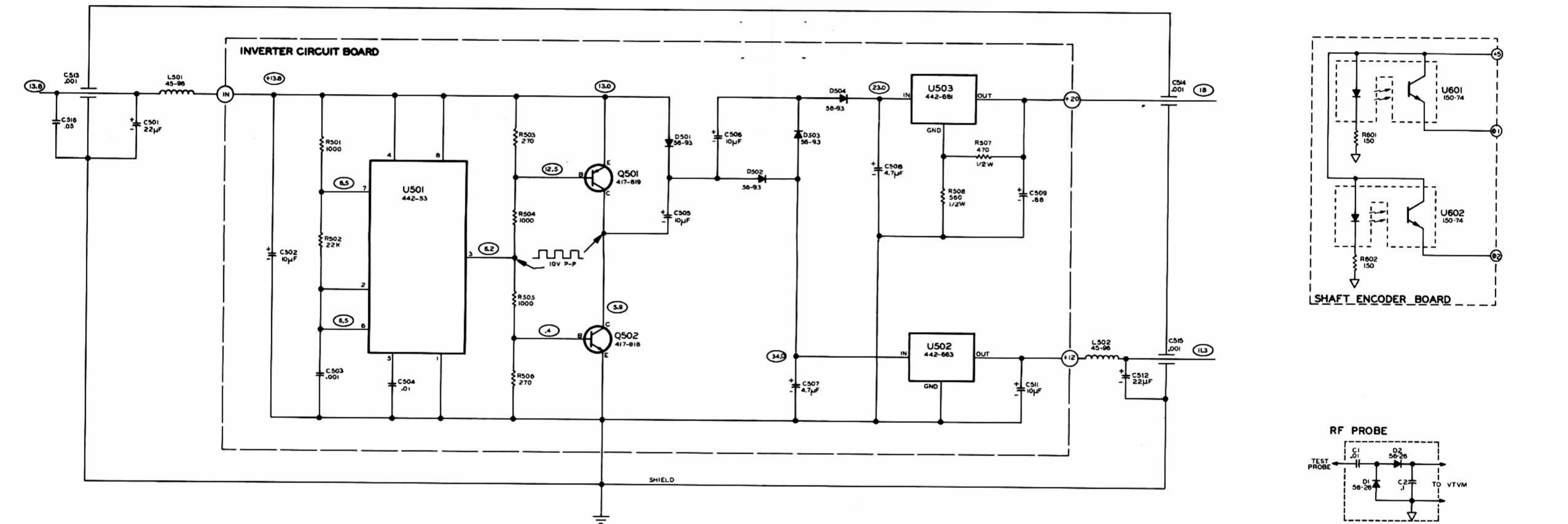




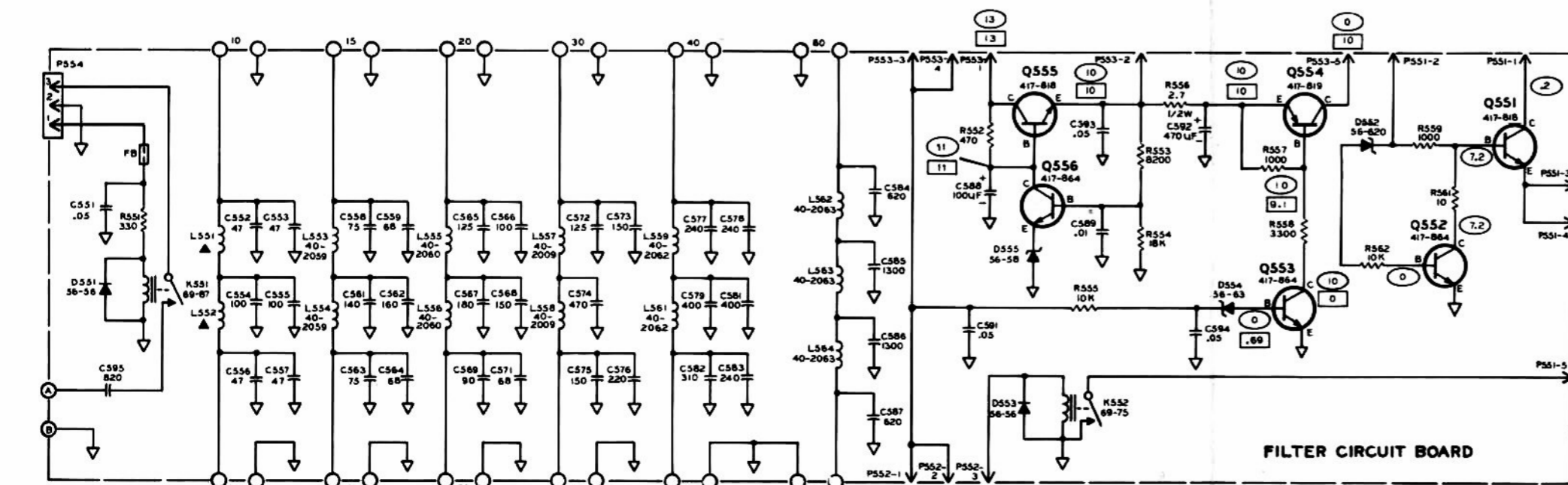
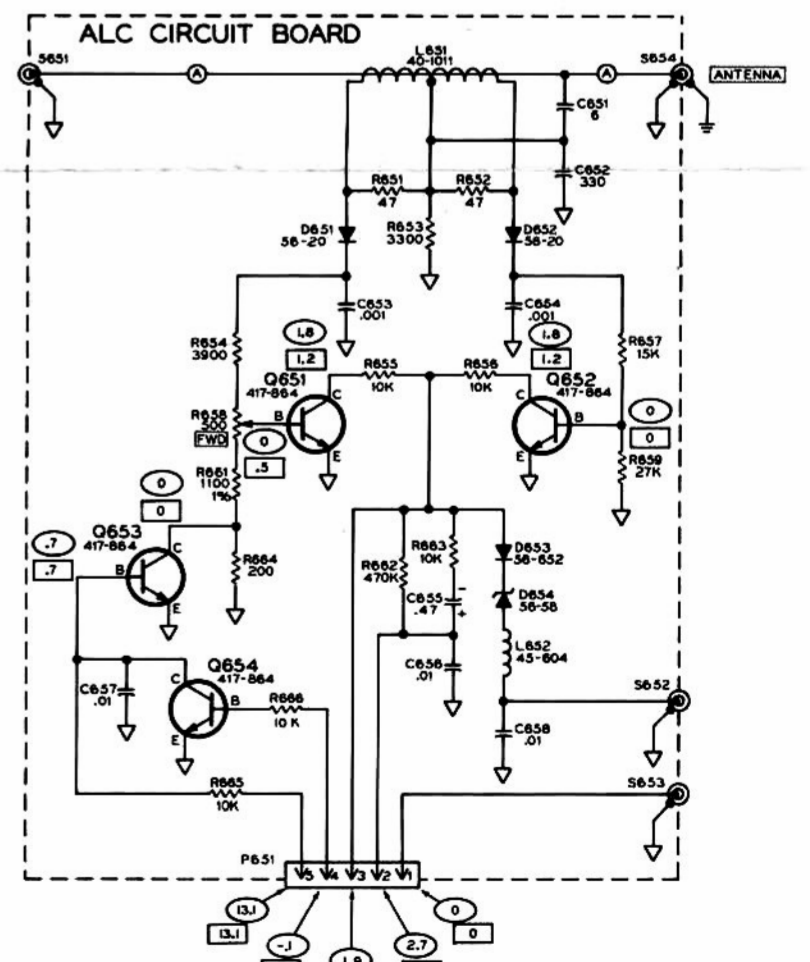
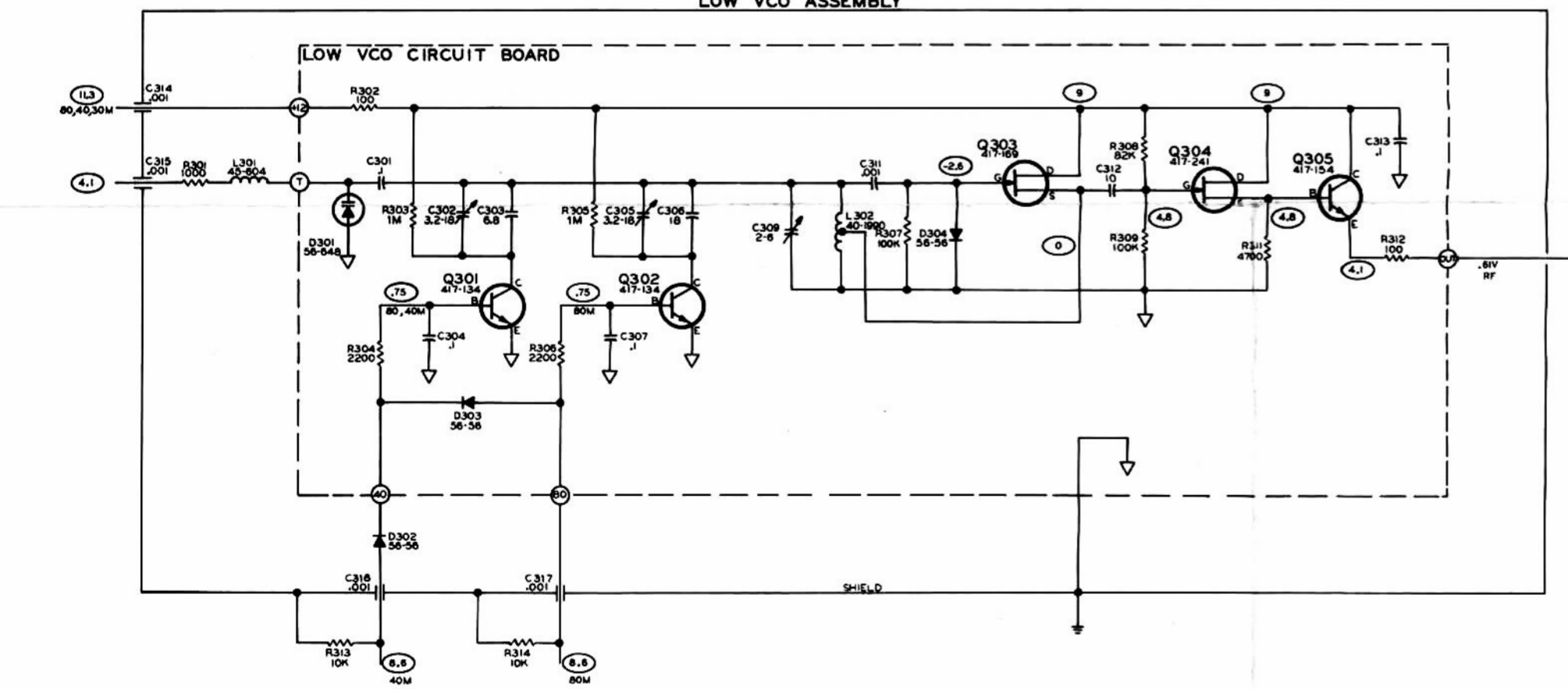
HIGH VCO ASSEMBLY



INVERTER ASSEMBLY

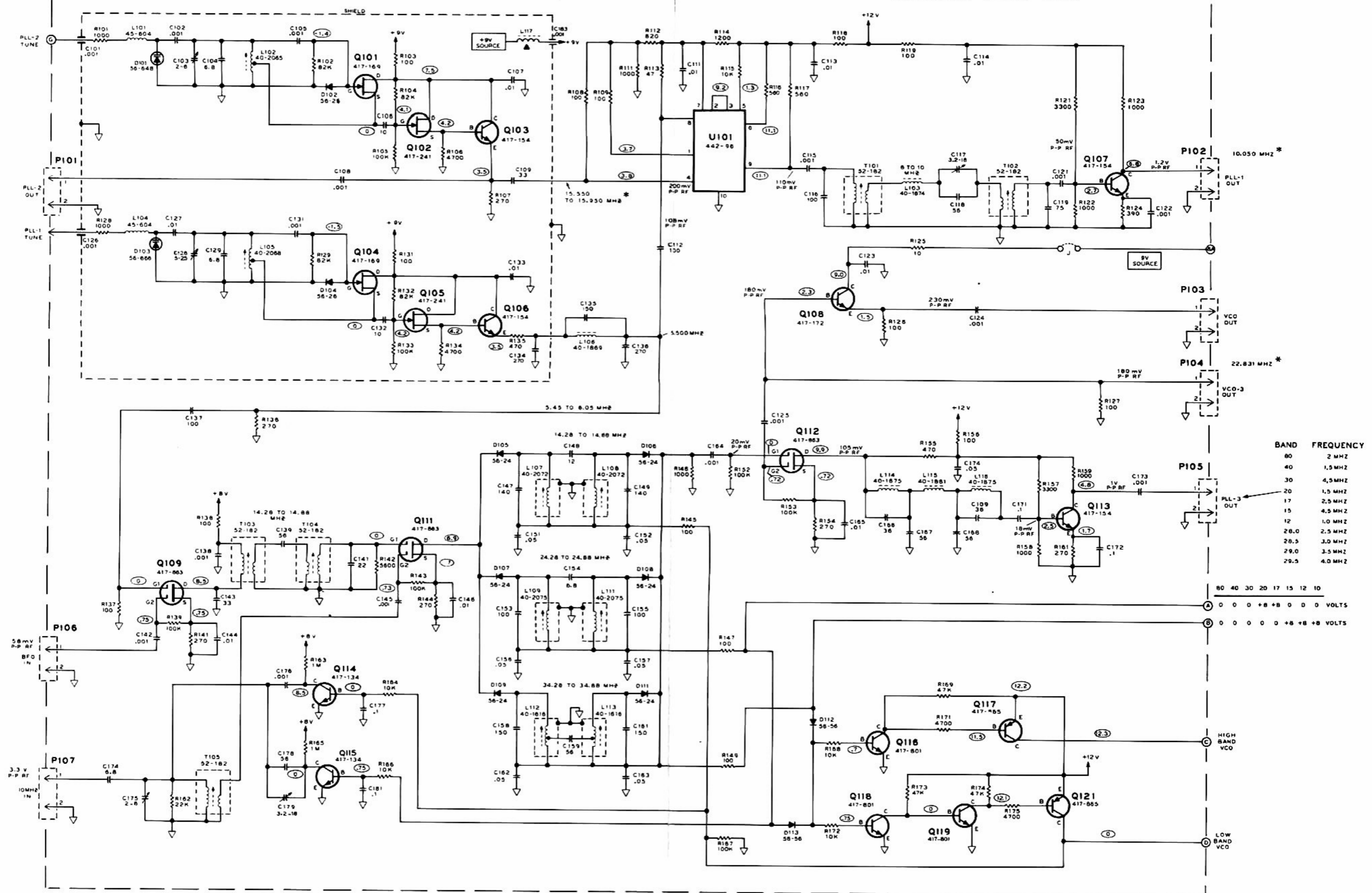


LOW VCO ASSEMBLY



**SCHEMATIC OF THE  
HEATHKIT®  
HF SSB TRANSCEIVER  
MODEL HW-5400**

SYNTHESIZER CIRCUIT BOARD



BAND	FREQUENCY
80	2 MHz
40	1.5 MHz
30	4.5 MHz
20	1.5 MHz
17	2.5 MHz
15	4.5 MHz
12	1.0 MHz
26.0	2.5 MHz
26.5	3.0 MHz
29.0	3.5 MHz
29.5	4.0 MHz

**SCHEMATIC OF THE  
HEATHKIT®  
HF SSB TRANSCEIVER  
MODEL HW-5400**