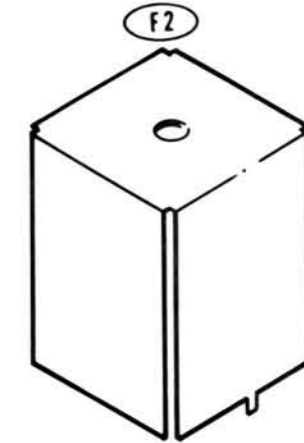
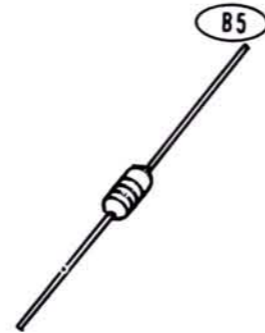
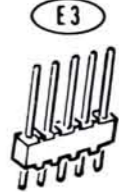
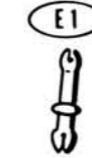
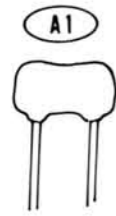


ILLUSTRATION BOOKLET

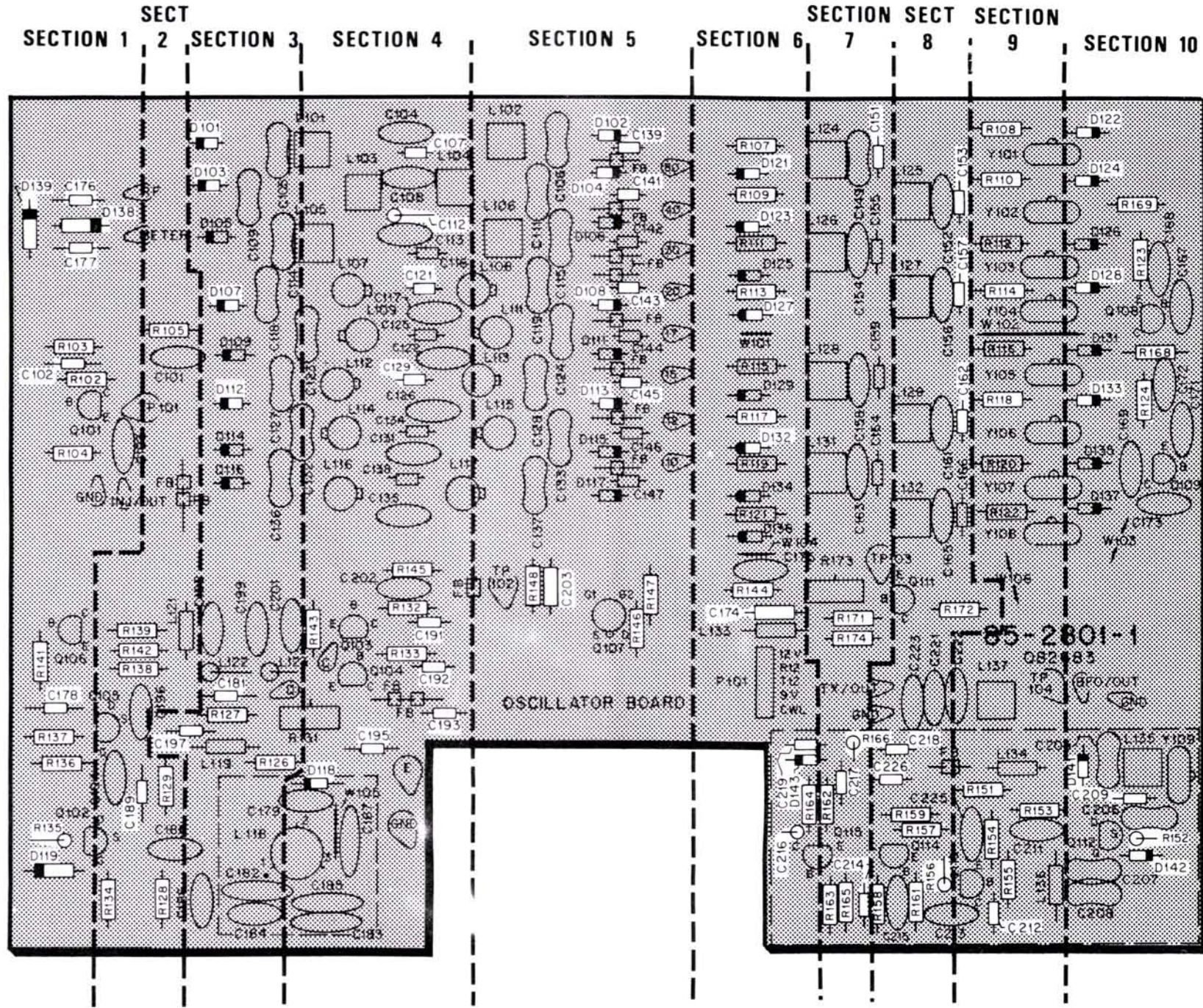
Part of 595-3059

Oscillator Circuit Board Parts Pictorial

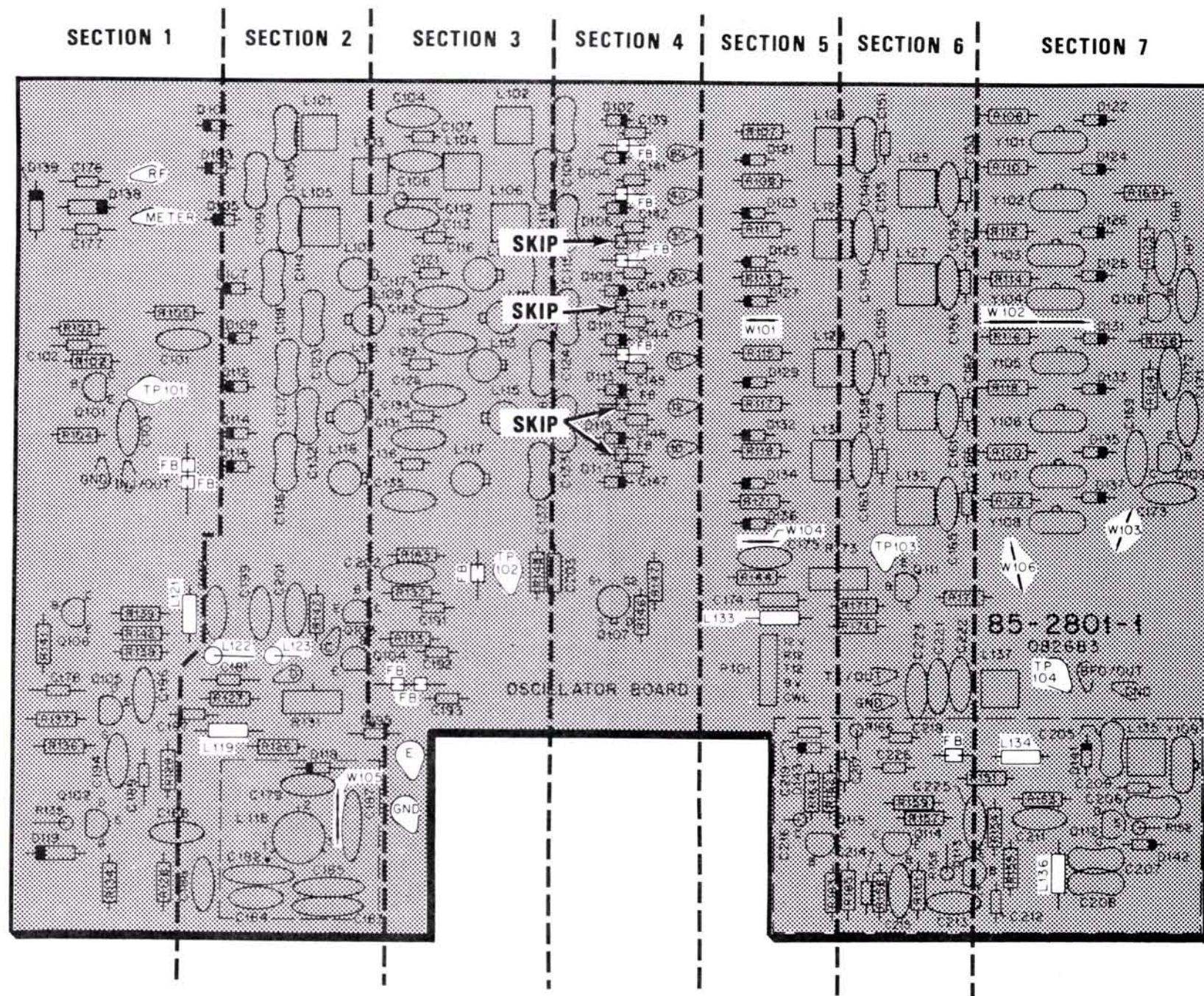


Model HW-9

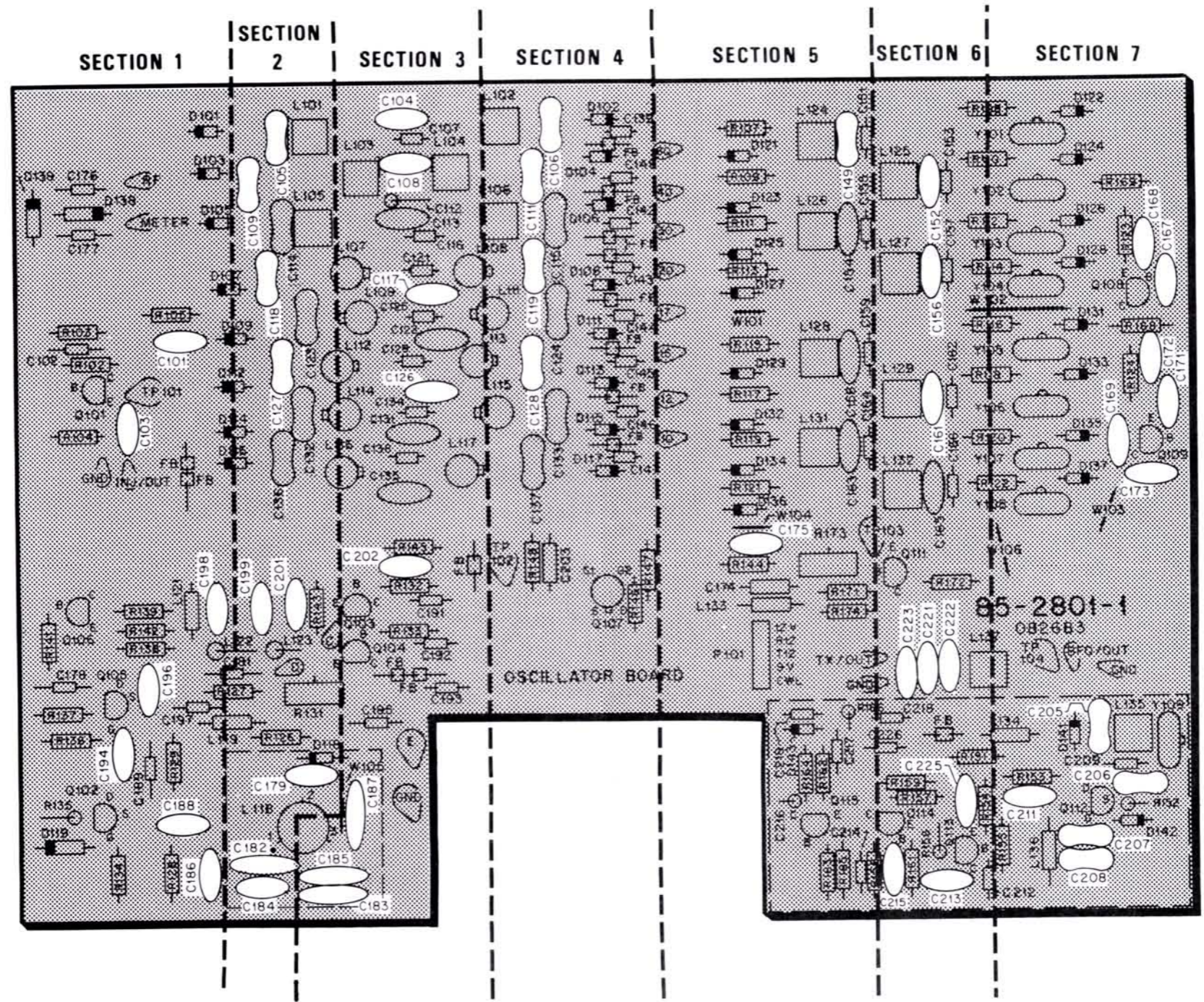
Copyright © 1984
Heath Company
All Rights Reserved
Printed in the United States of America



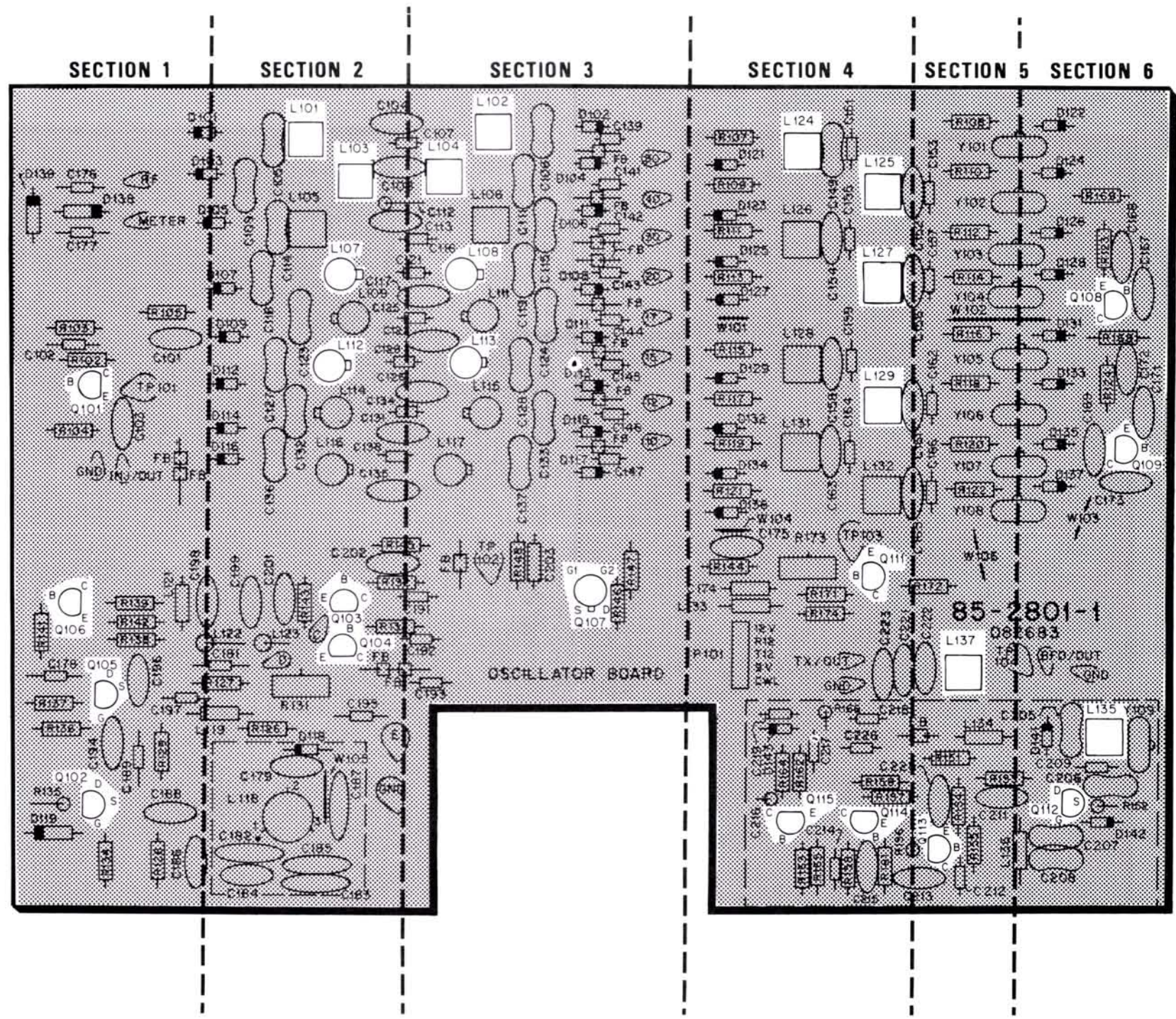
PICTORIAL 1-1



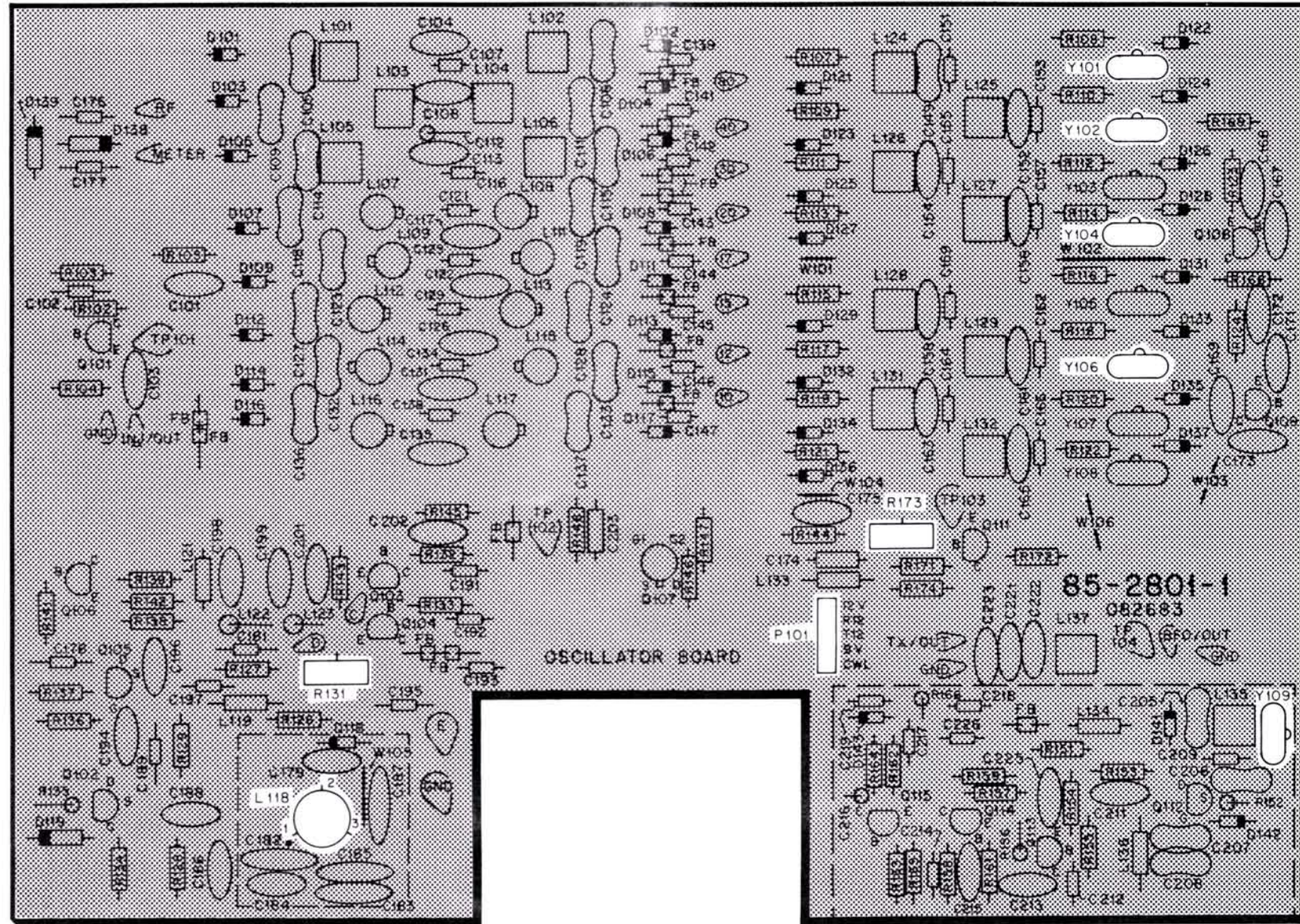
PICTORIAL 1-2



PICTORIAL 1-3

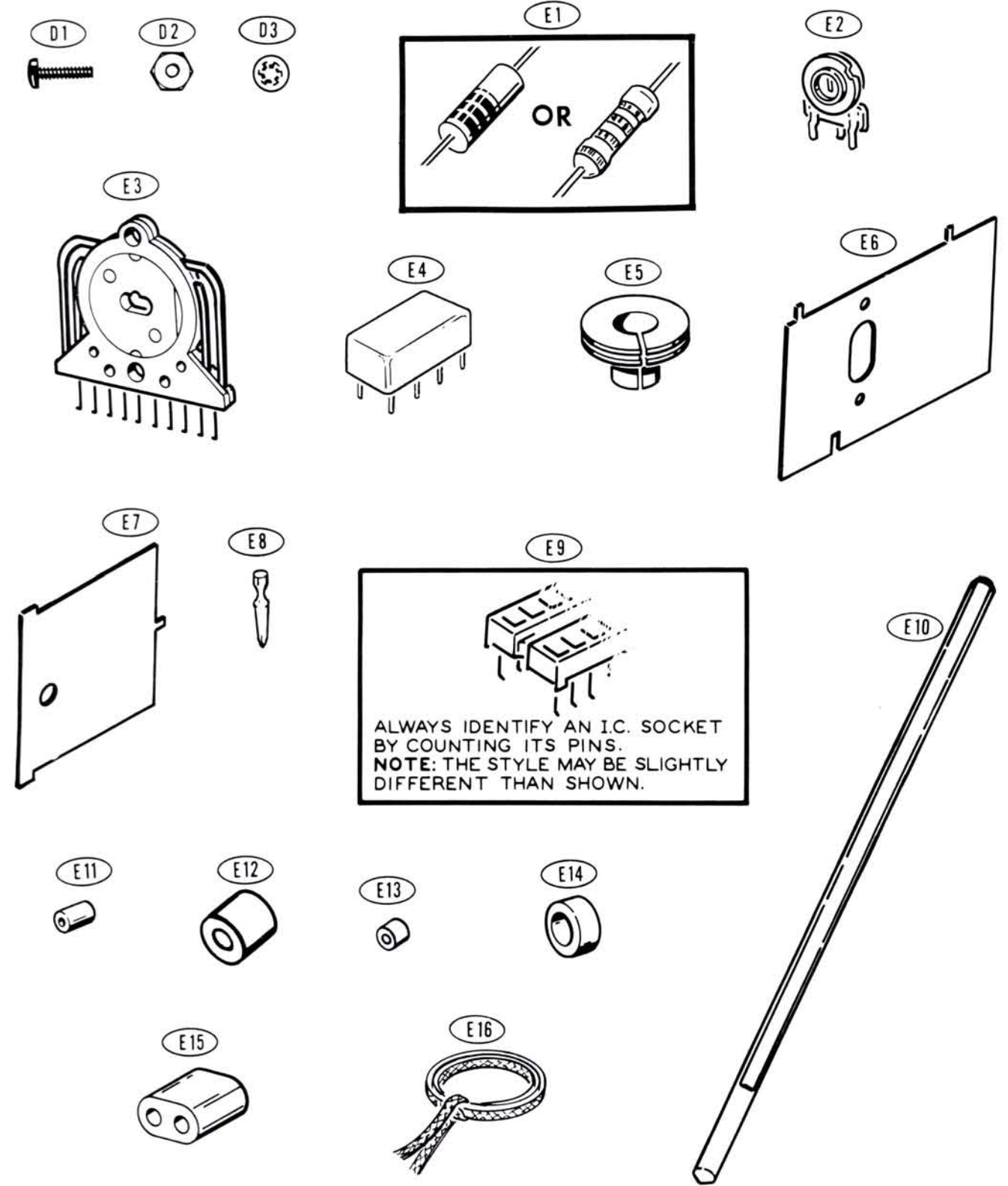
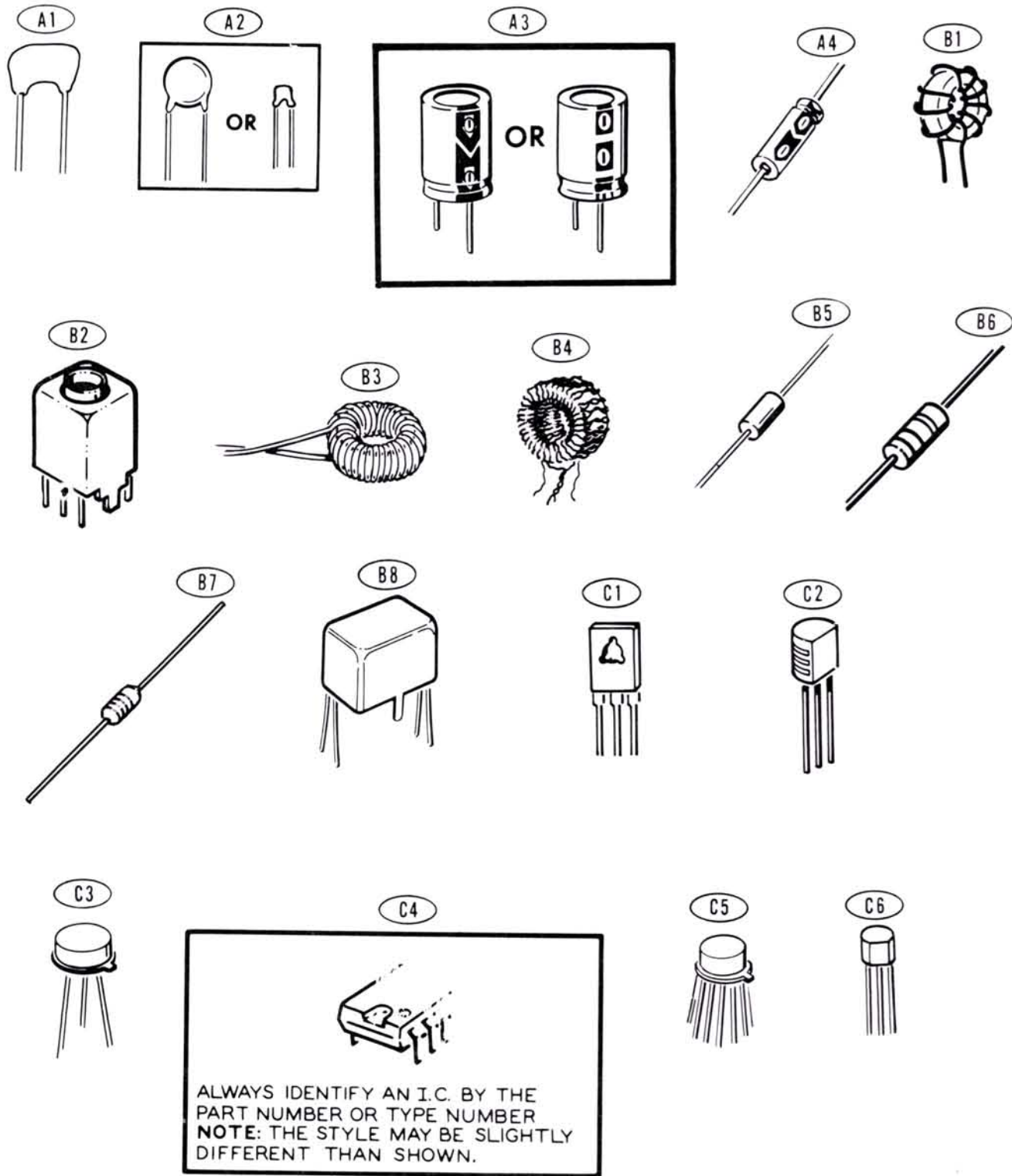


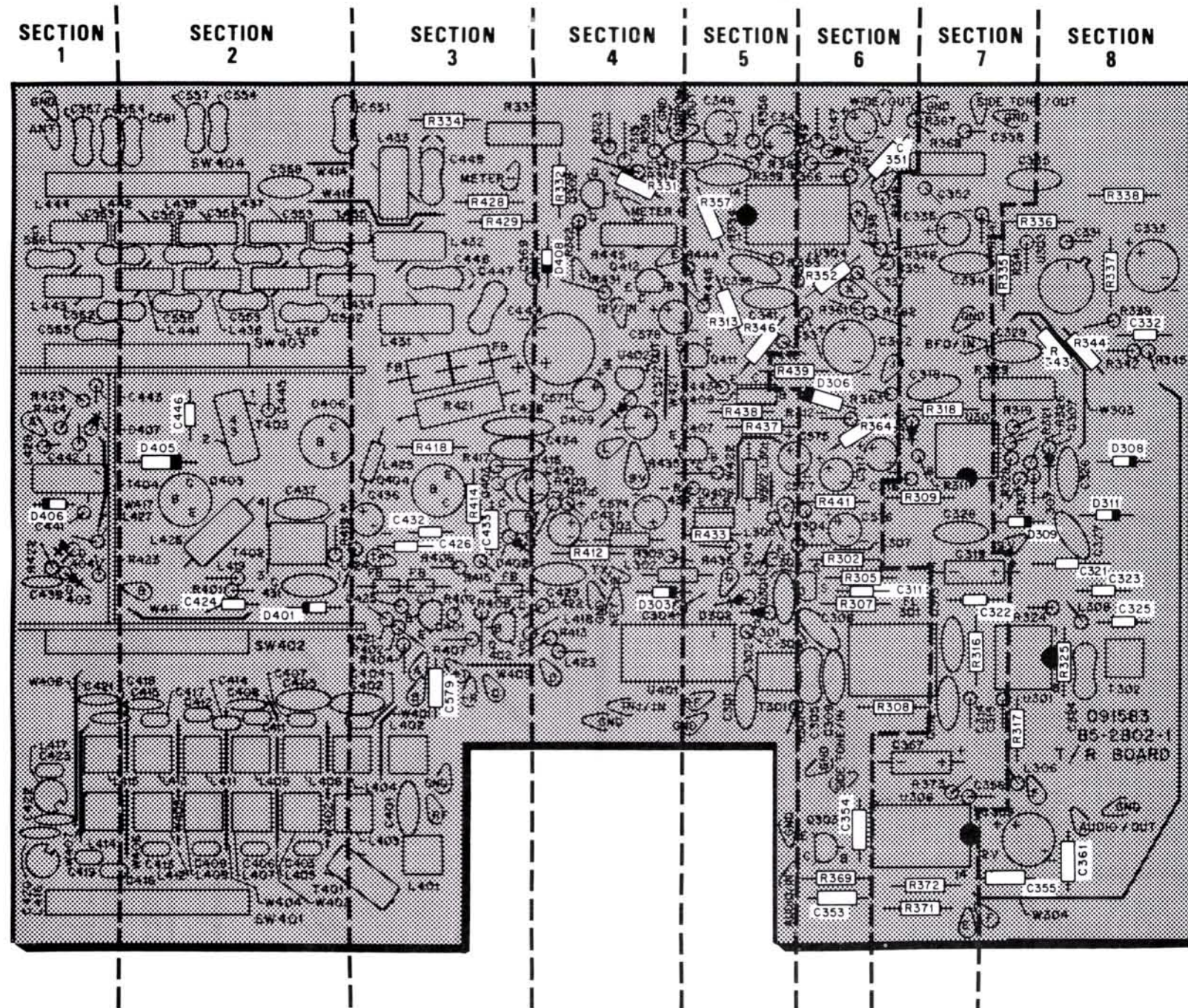
PICTORIAL 1-4



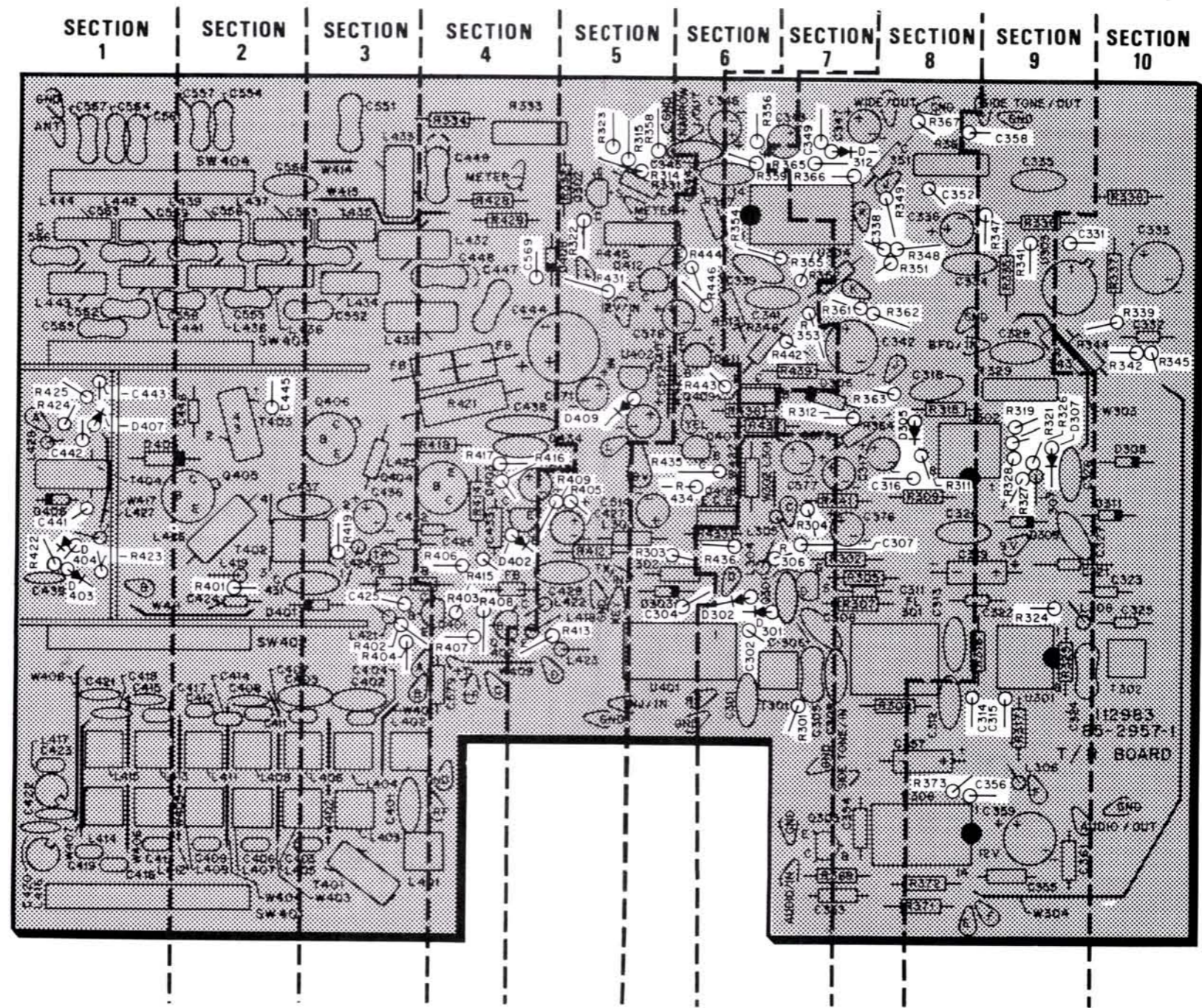
PICTORIAL 1-5

T/R Circuit Board Parts Pictorial

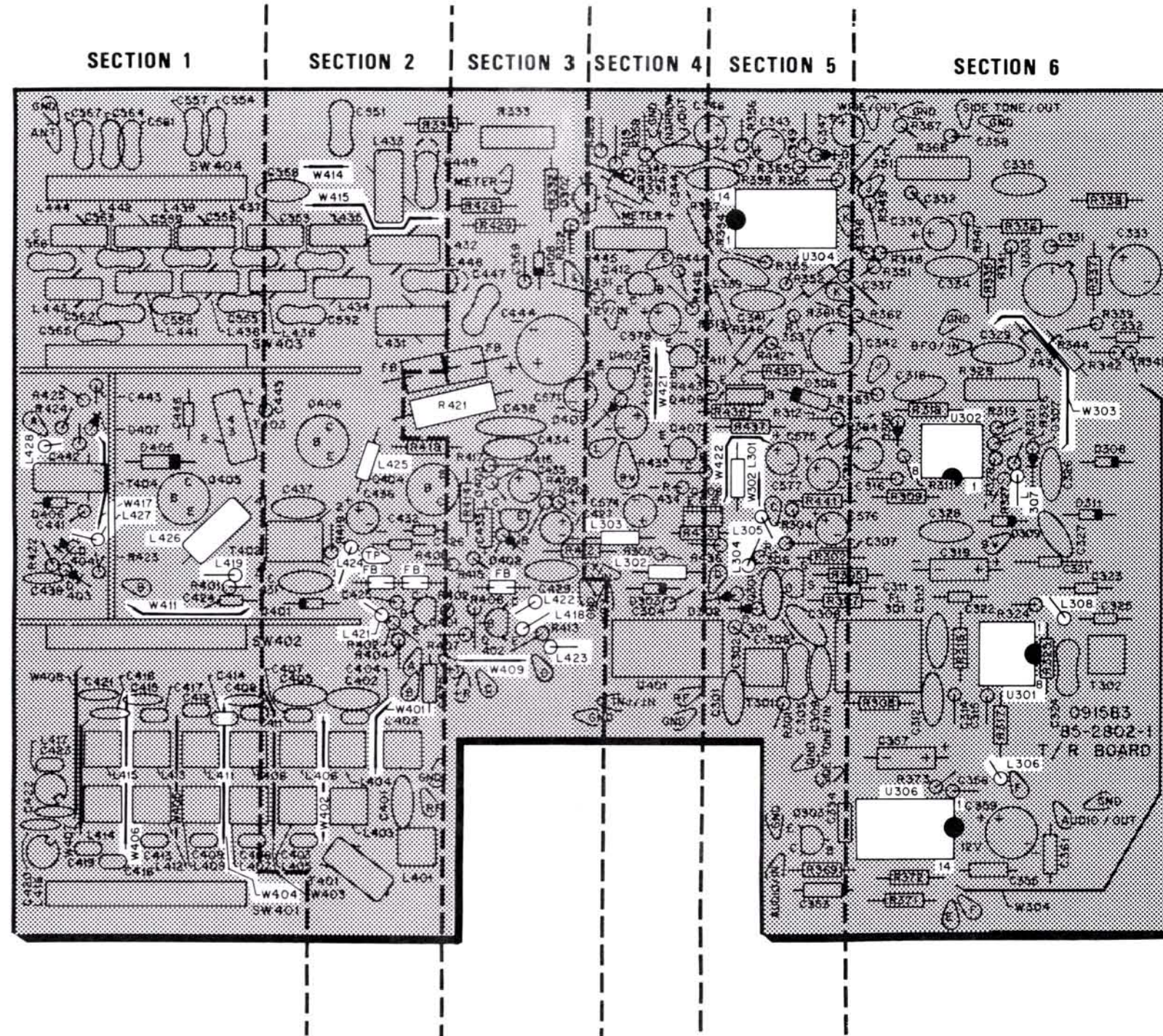




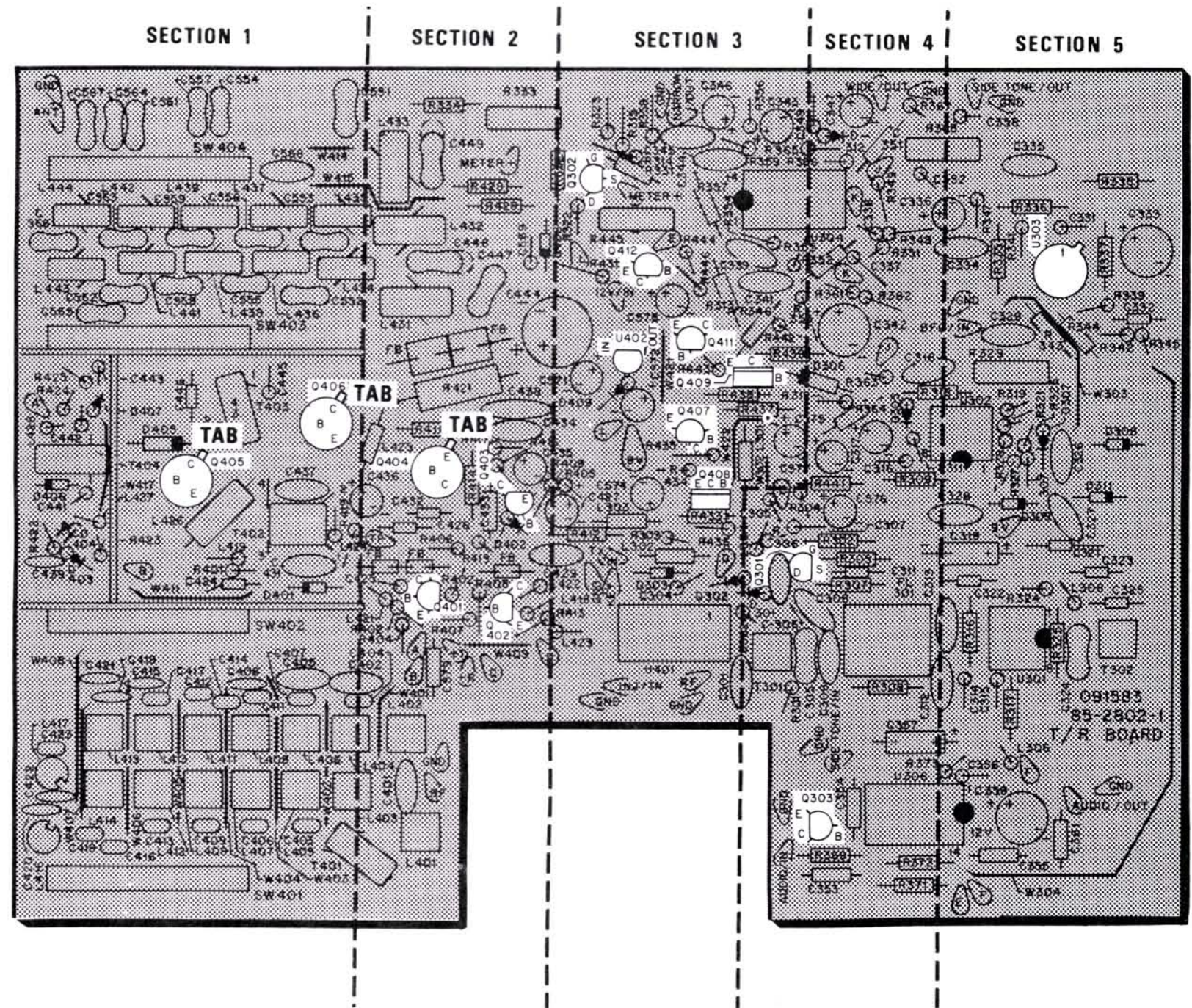
PICTORIAL 2-1



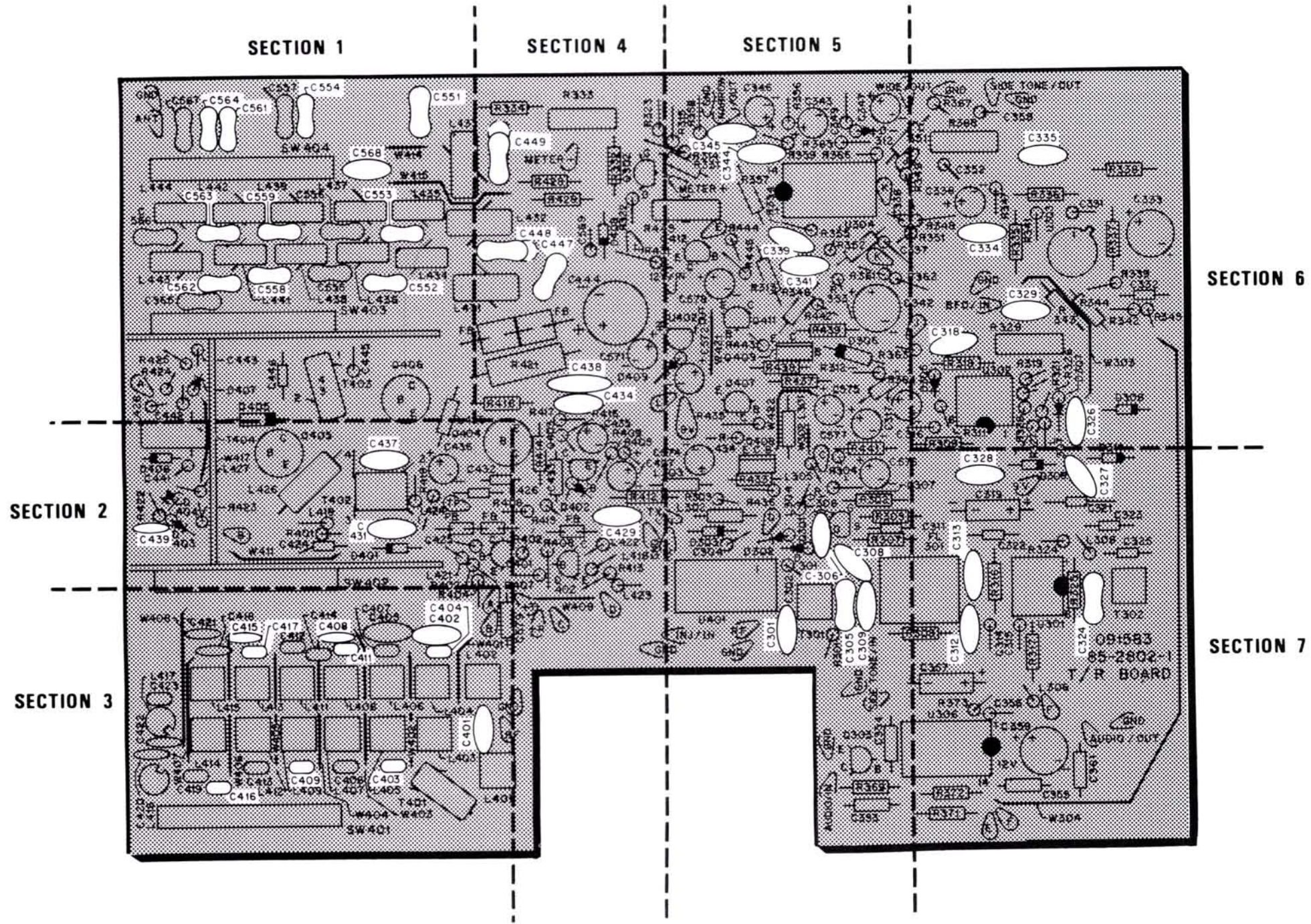
PICTORIAL 2-2



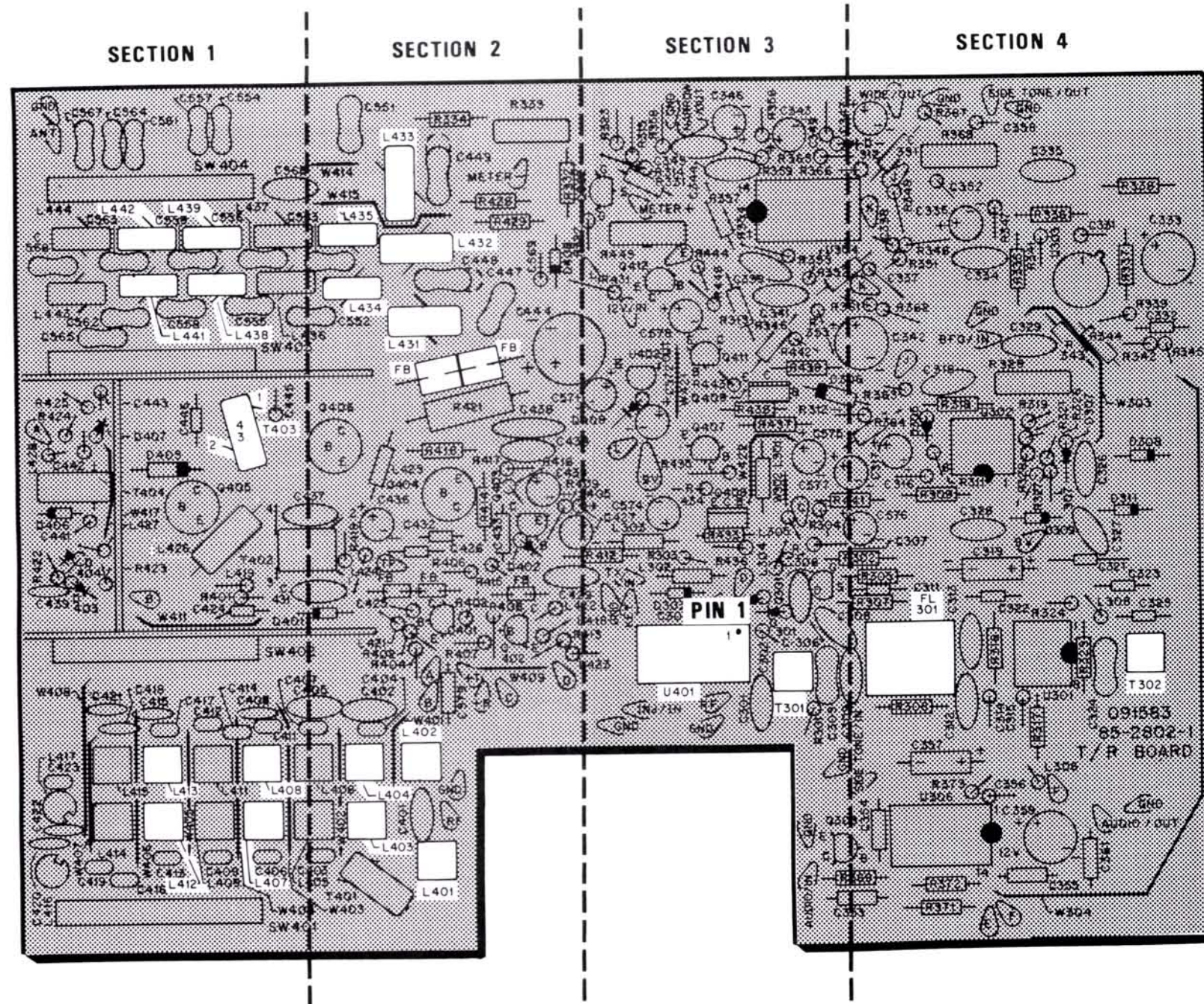
PICTORIAL 2-3



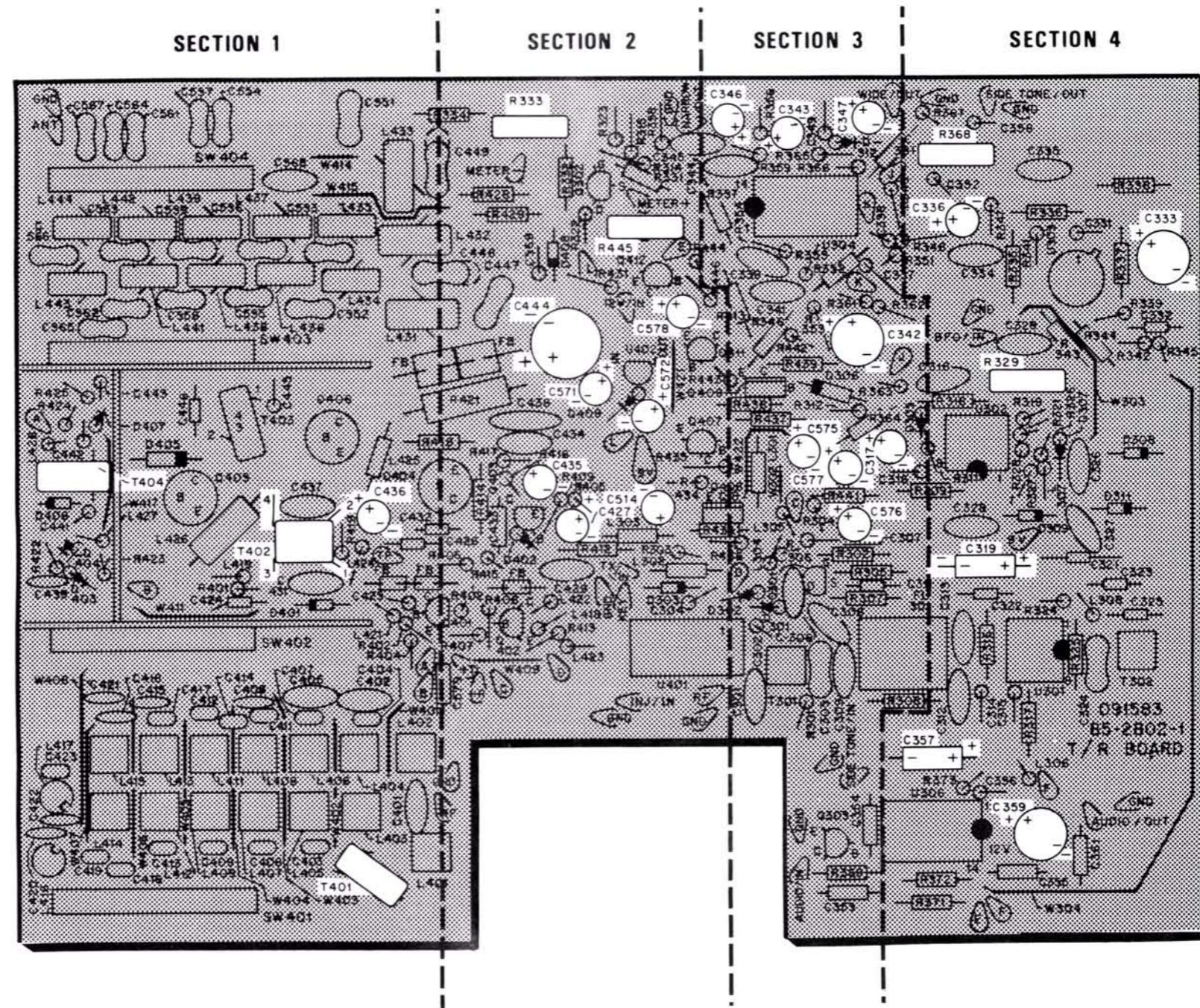
PICTORIAL 2-4



PICTORIAL 2-5

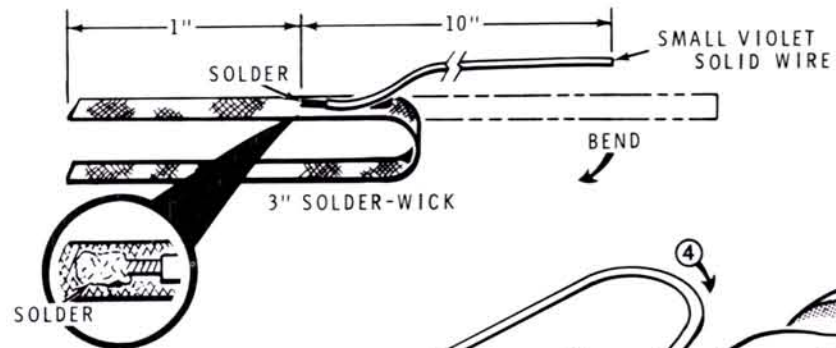


PICTORIAL 2-6

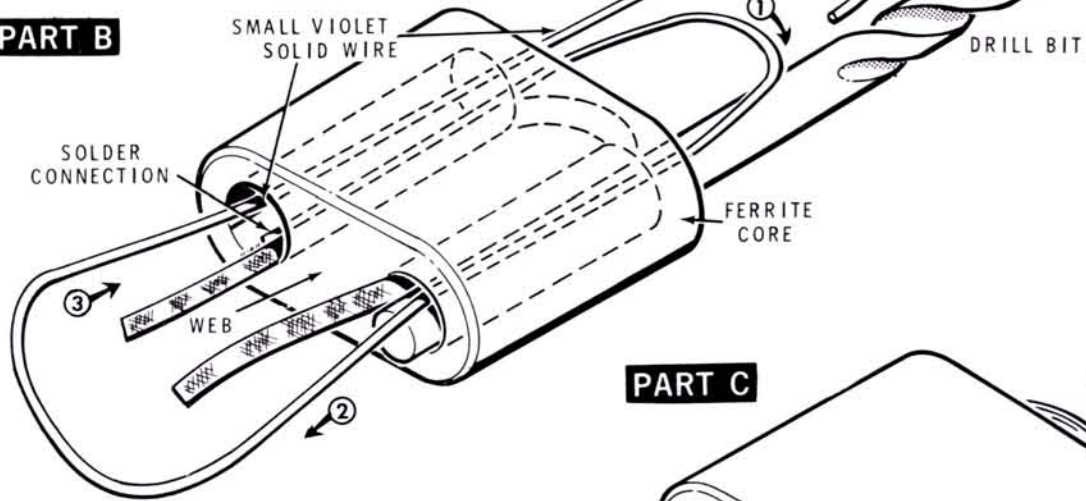


PICTORIAL 2-7

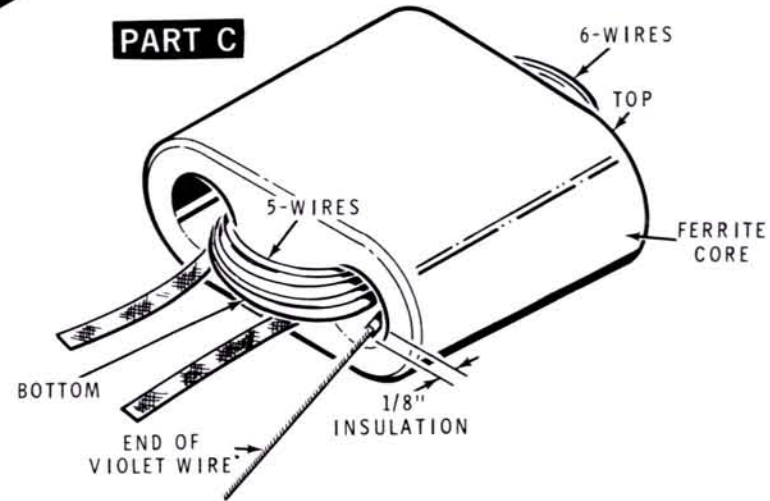
PART A



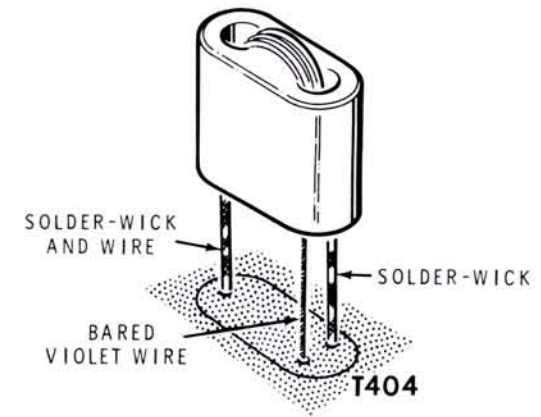
PART B



PART C

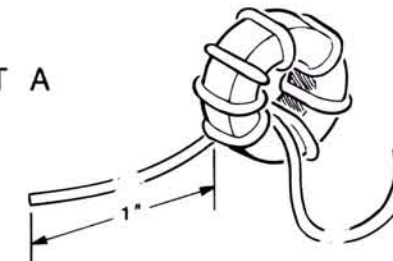


Detail 2-7A

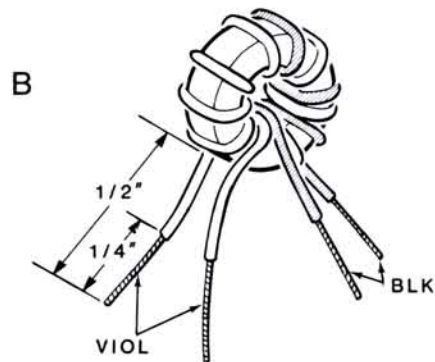


Detail 2-7B

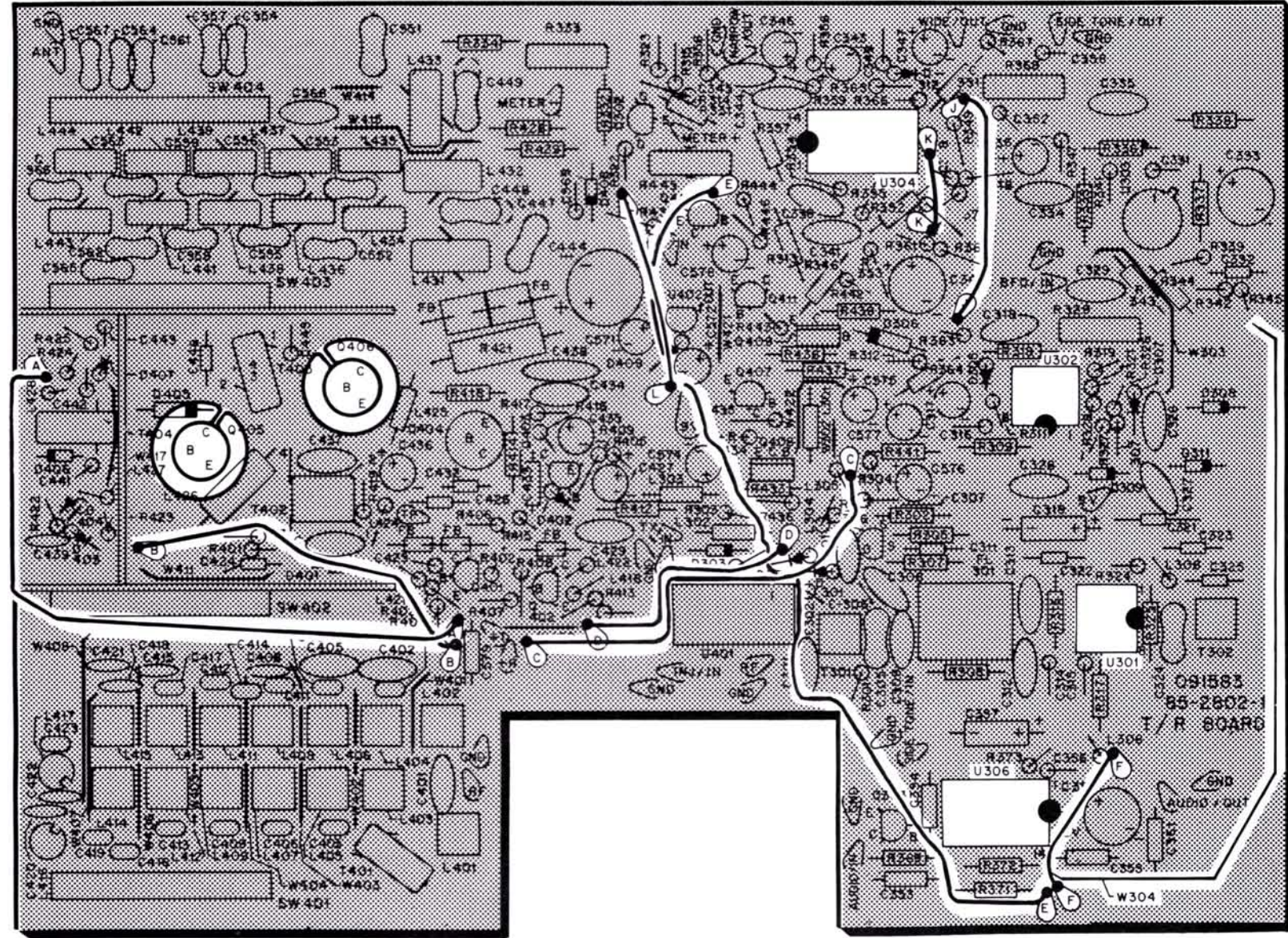
PART A



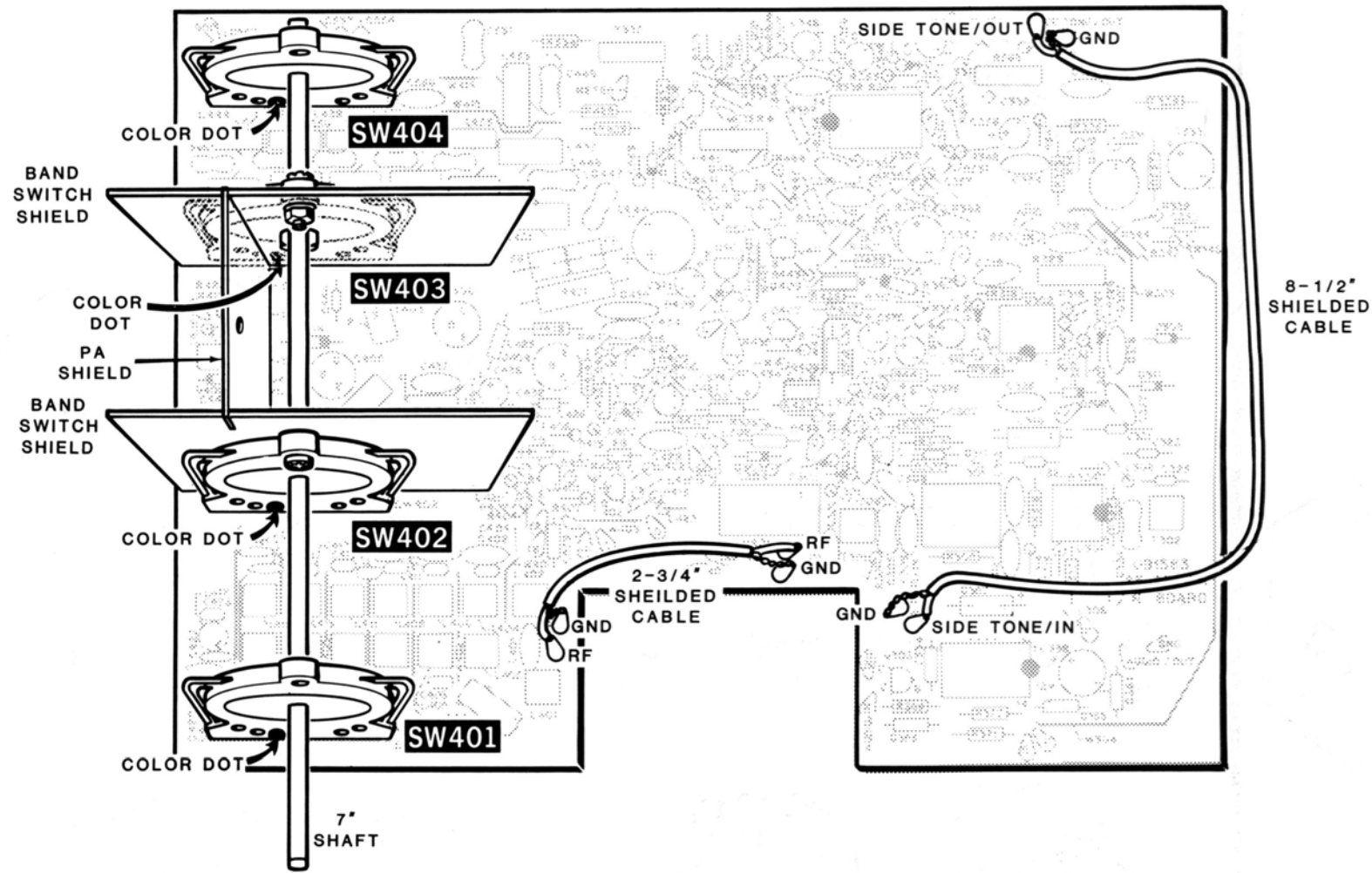
PART B



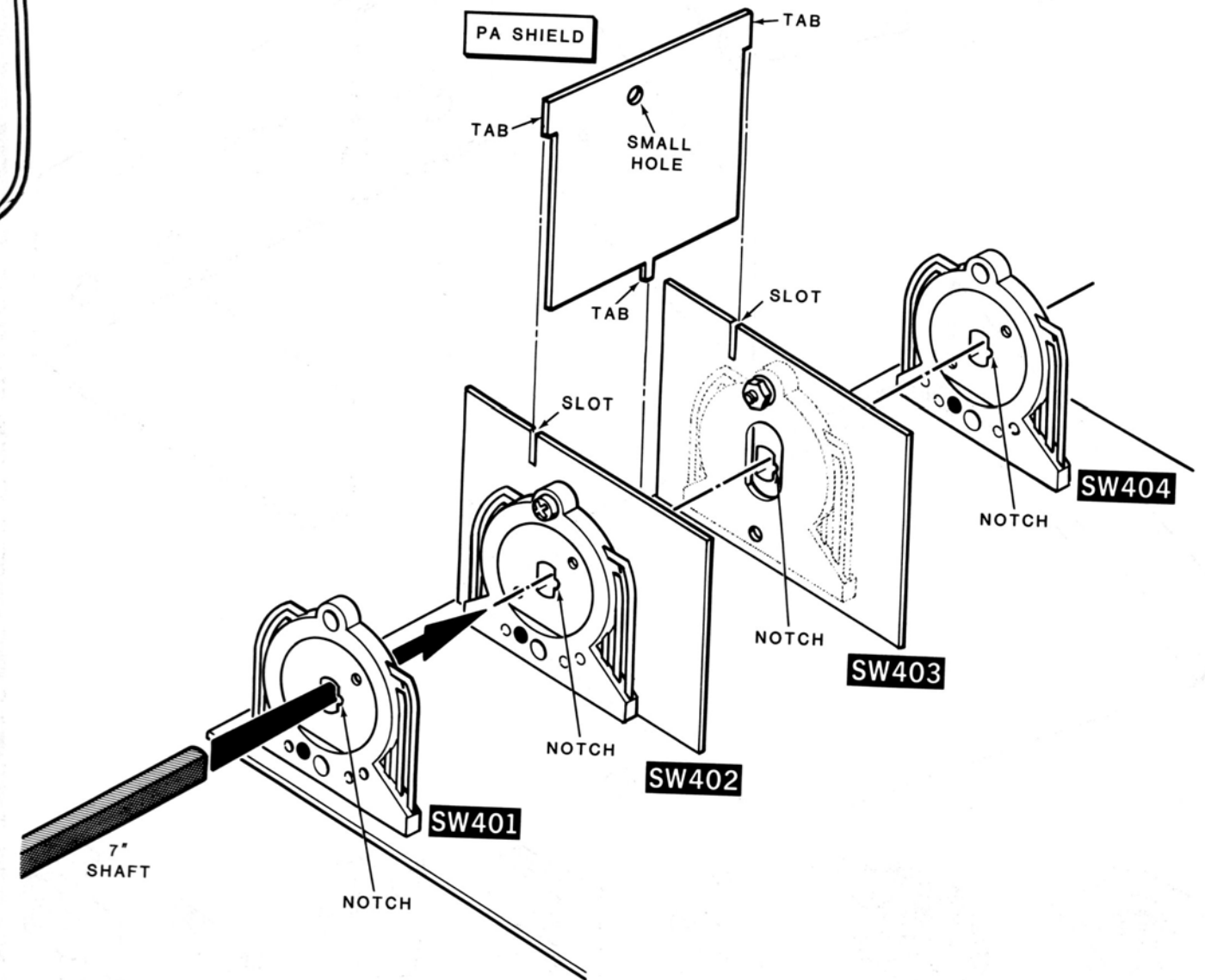
Detail 2-7C



PICTORIAL 2-8

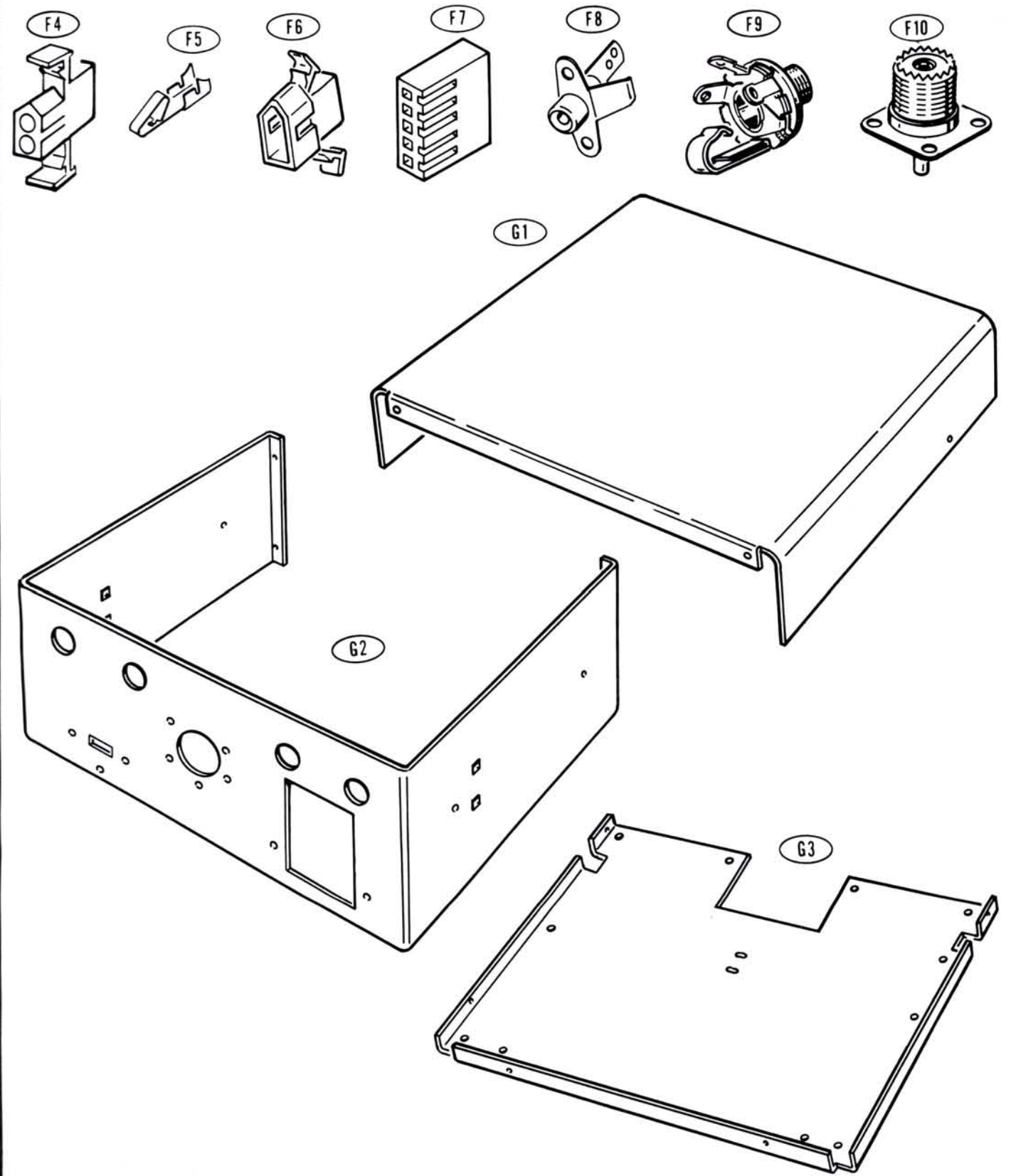
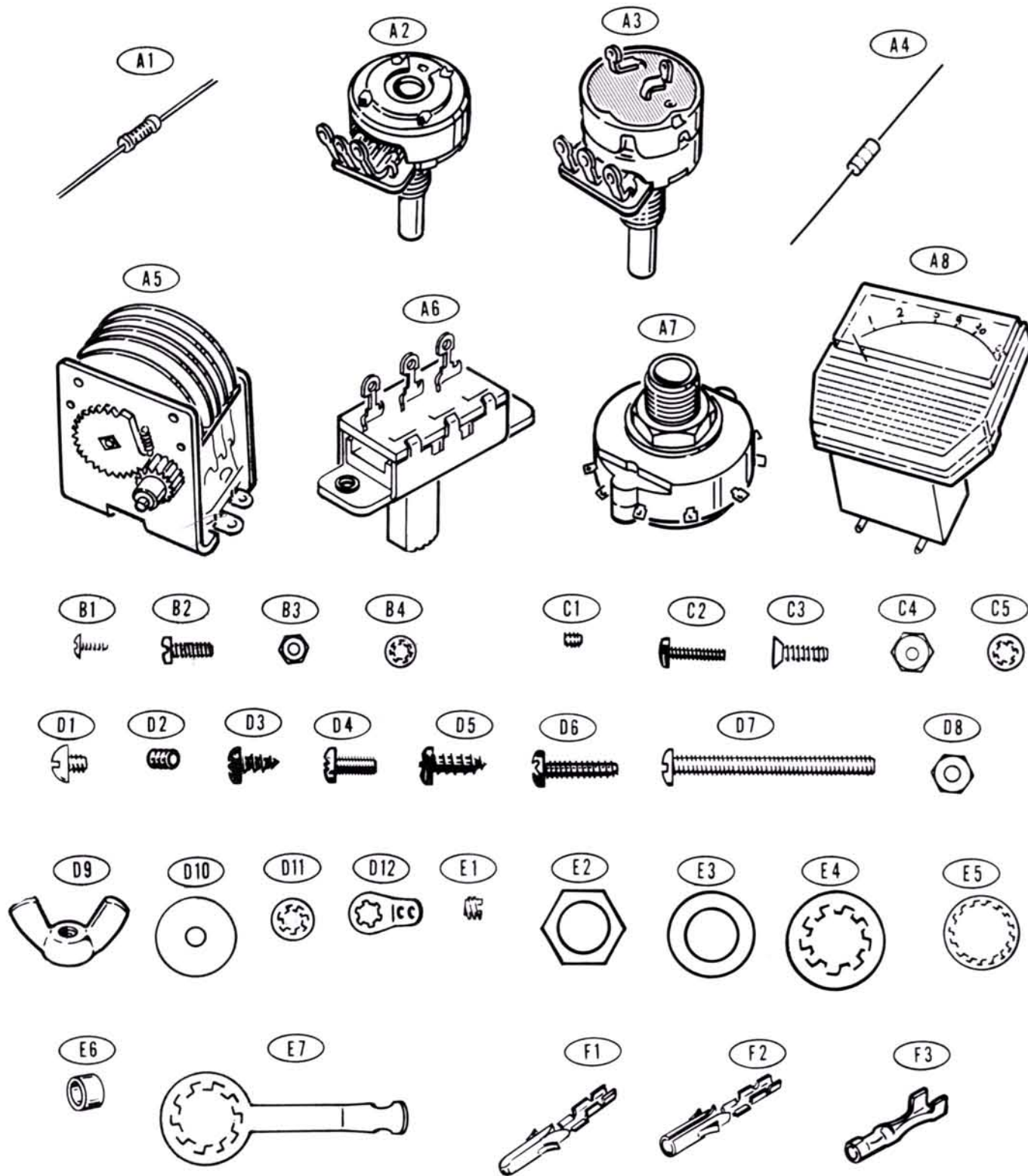


PICTORIAL 2-9

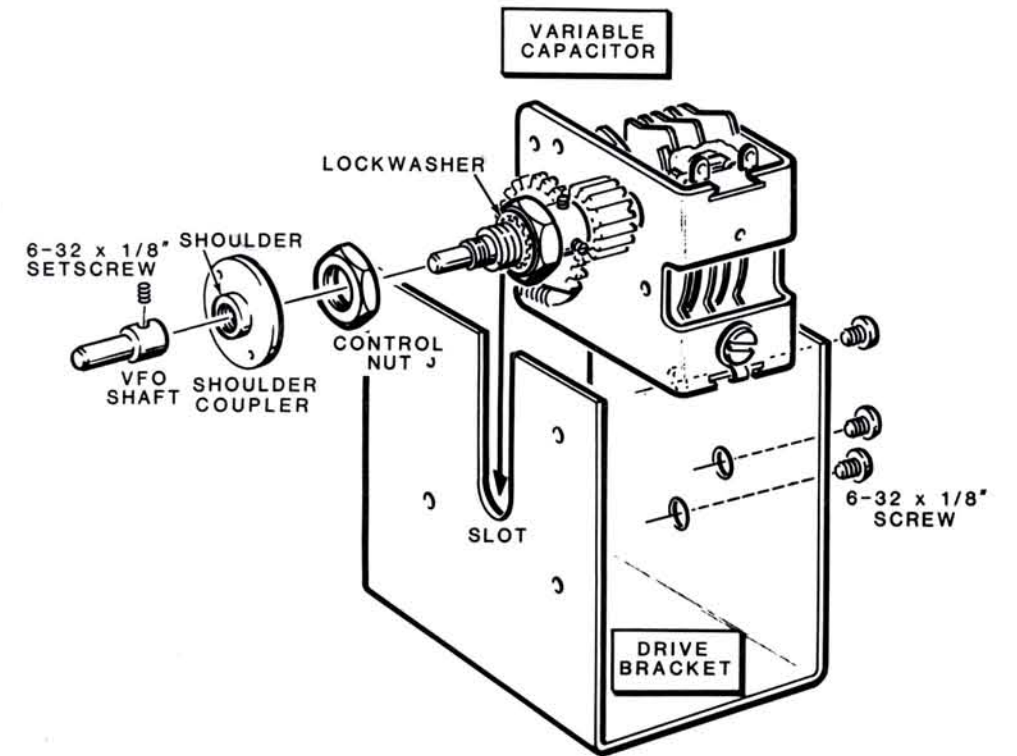
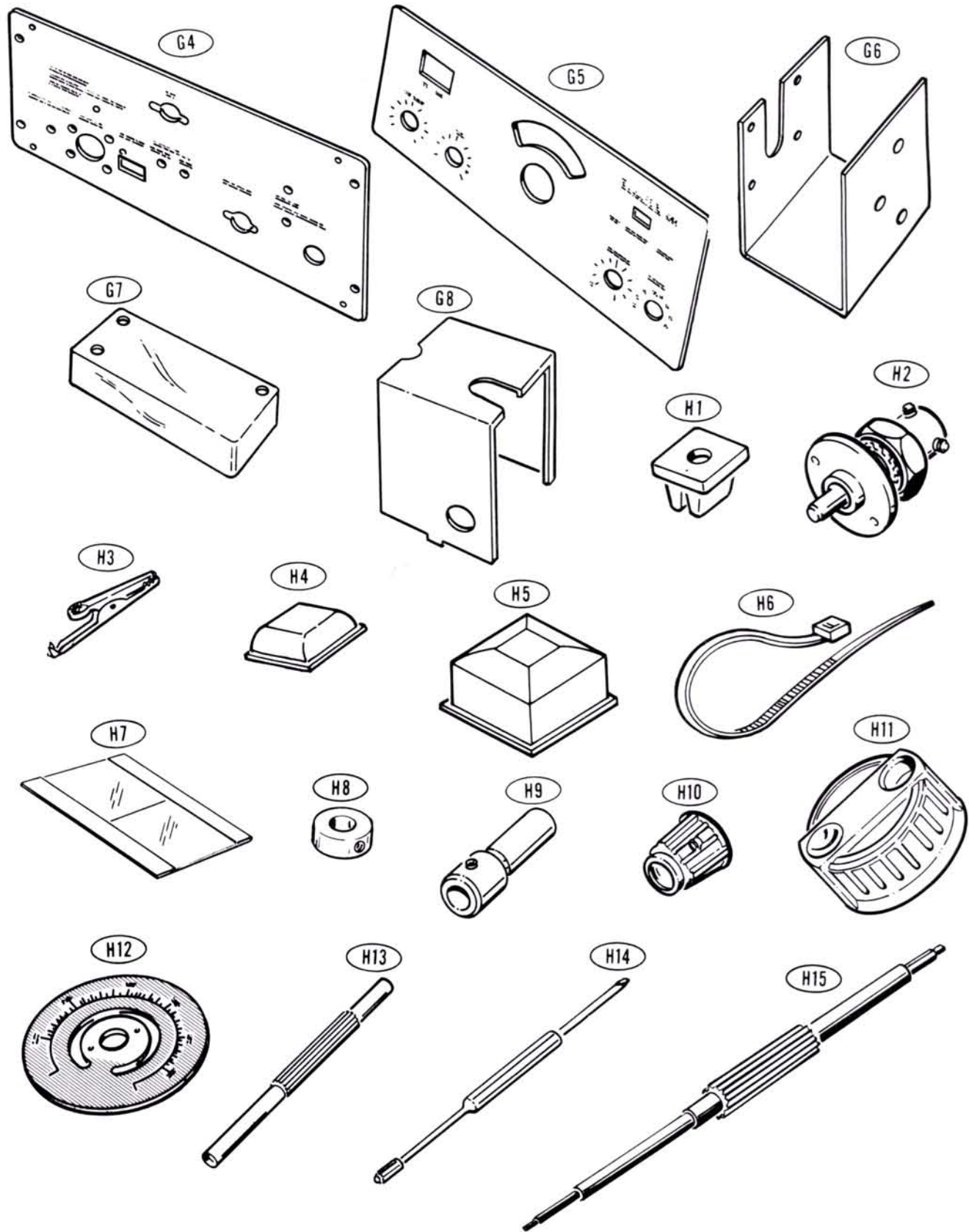


Detail 2-9E

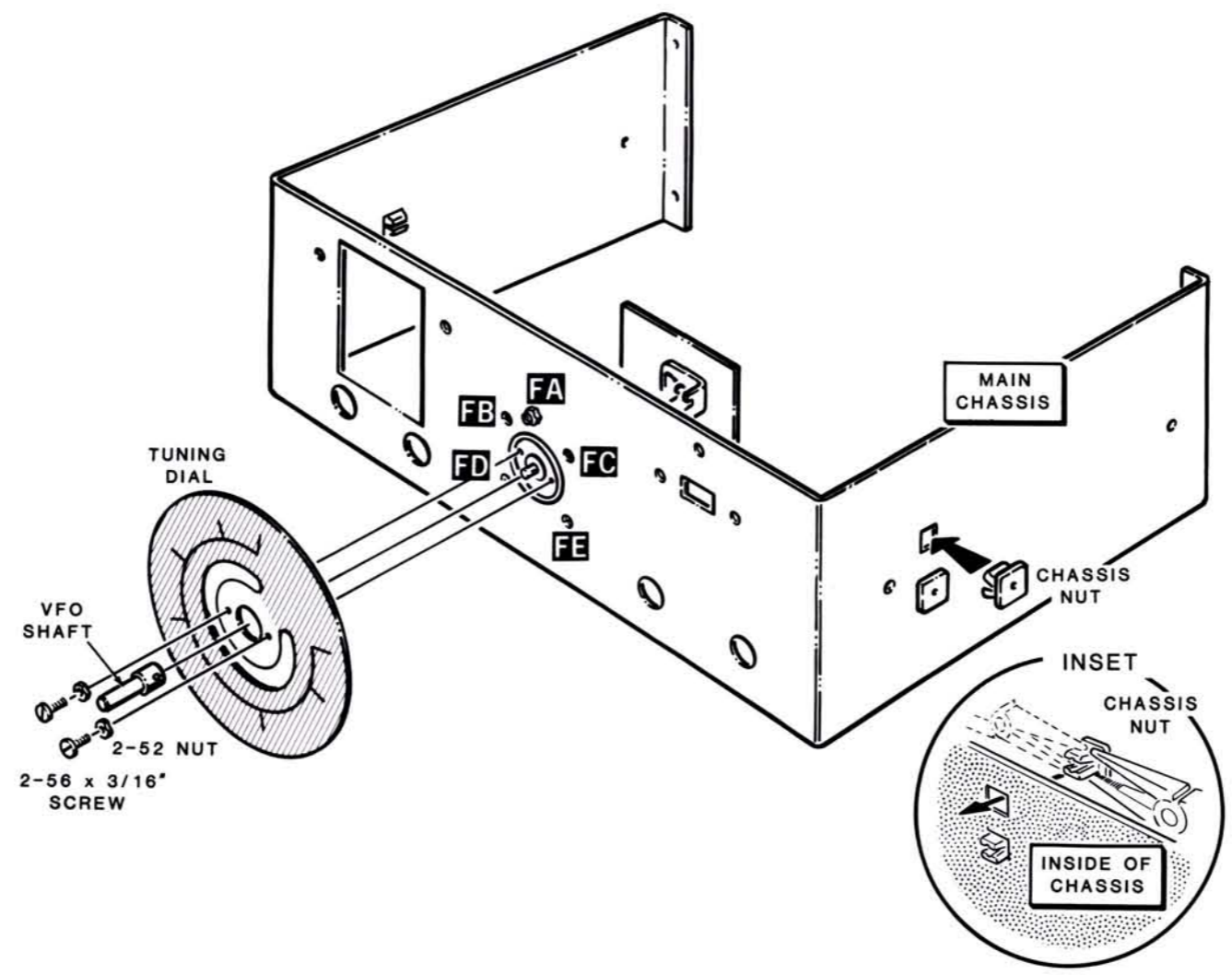
Chassis Parts Pictorial



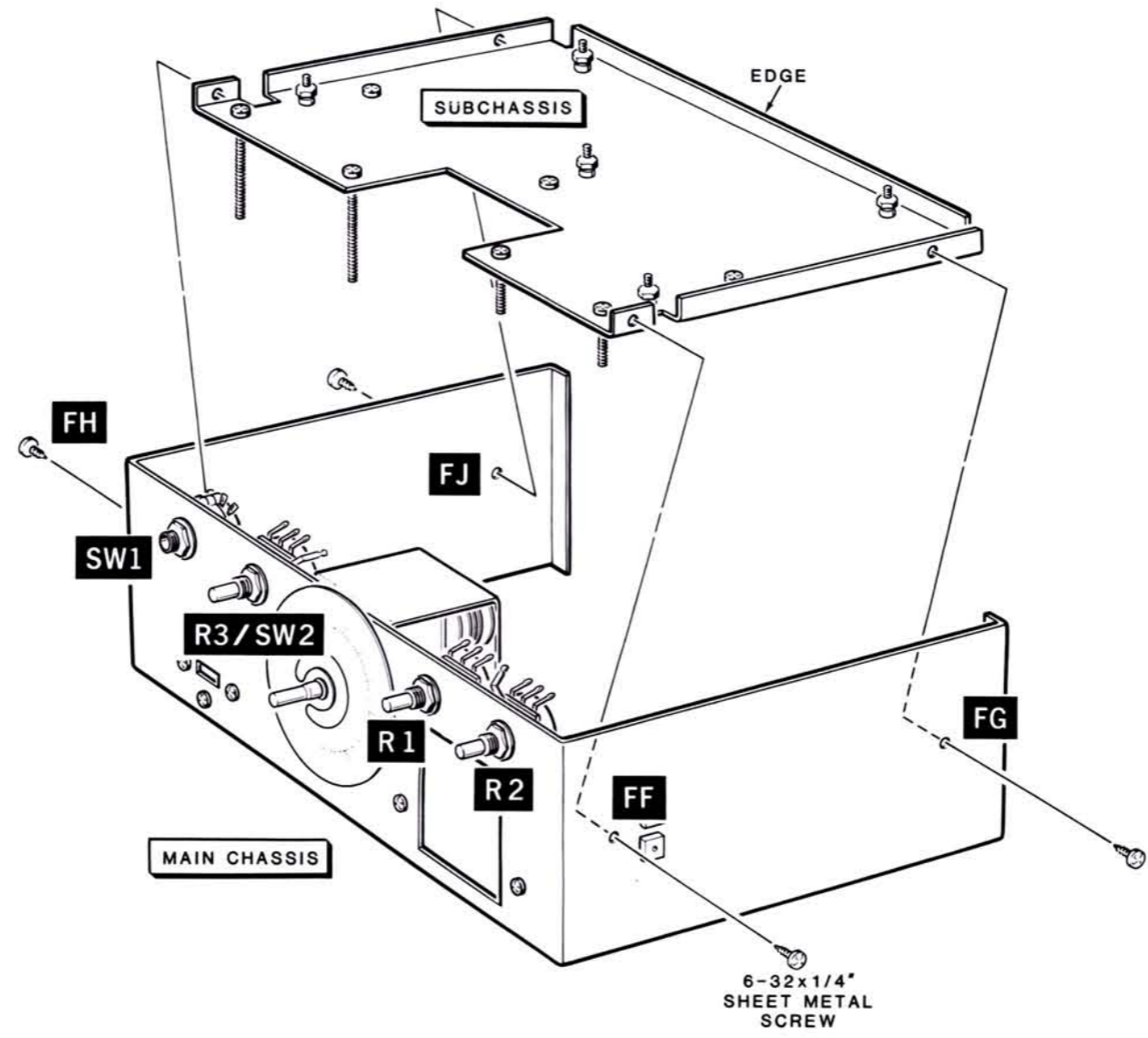
Chassis Parts Pictorial (Cont'd)



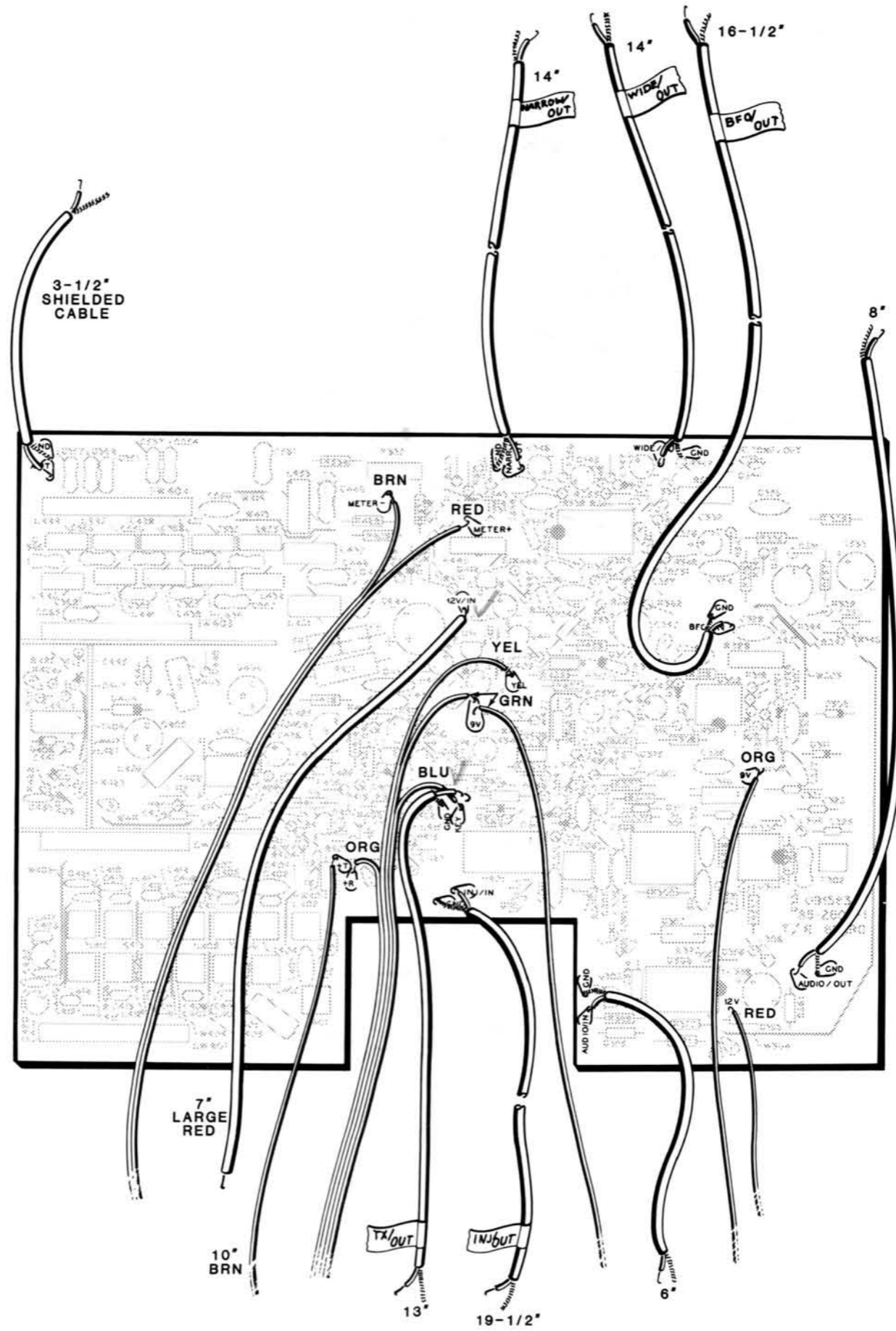
PICTORIAL 3-1



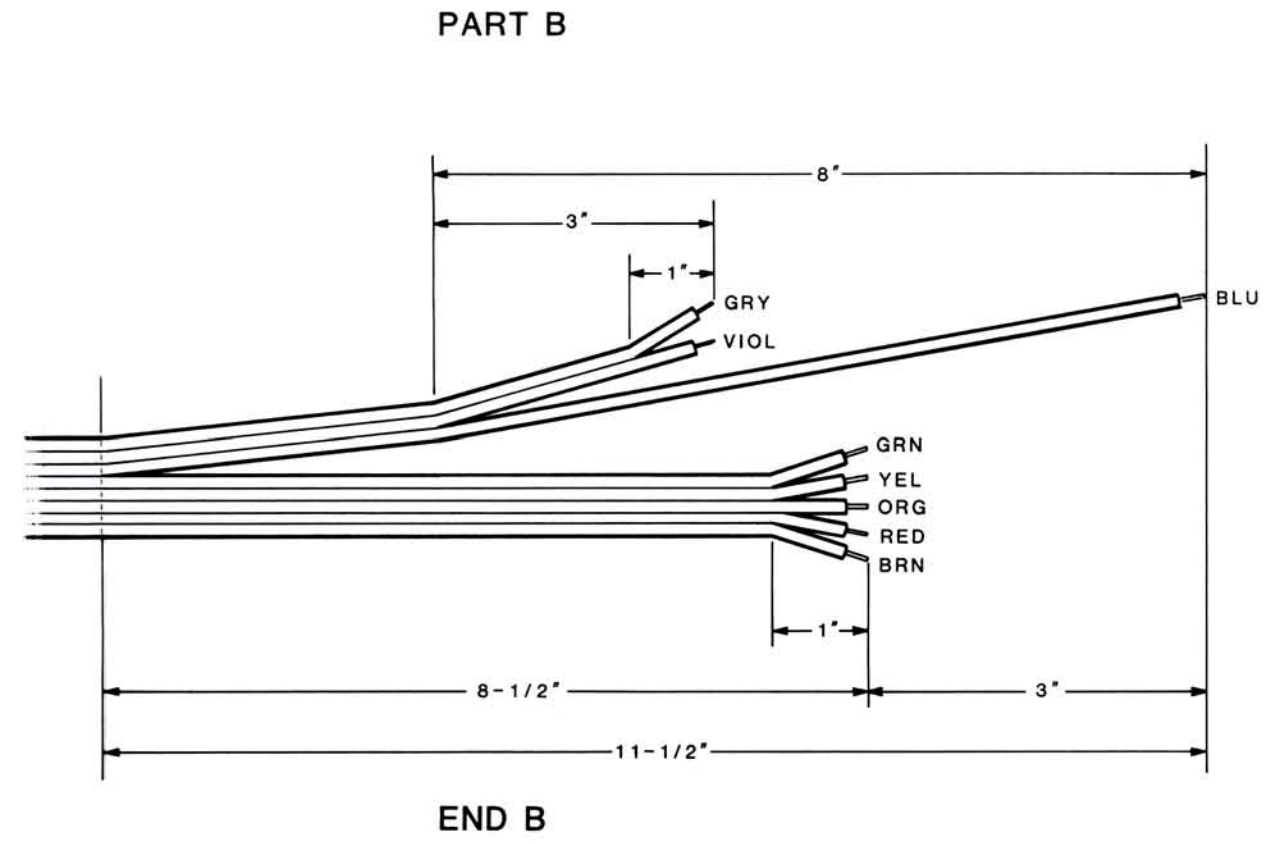
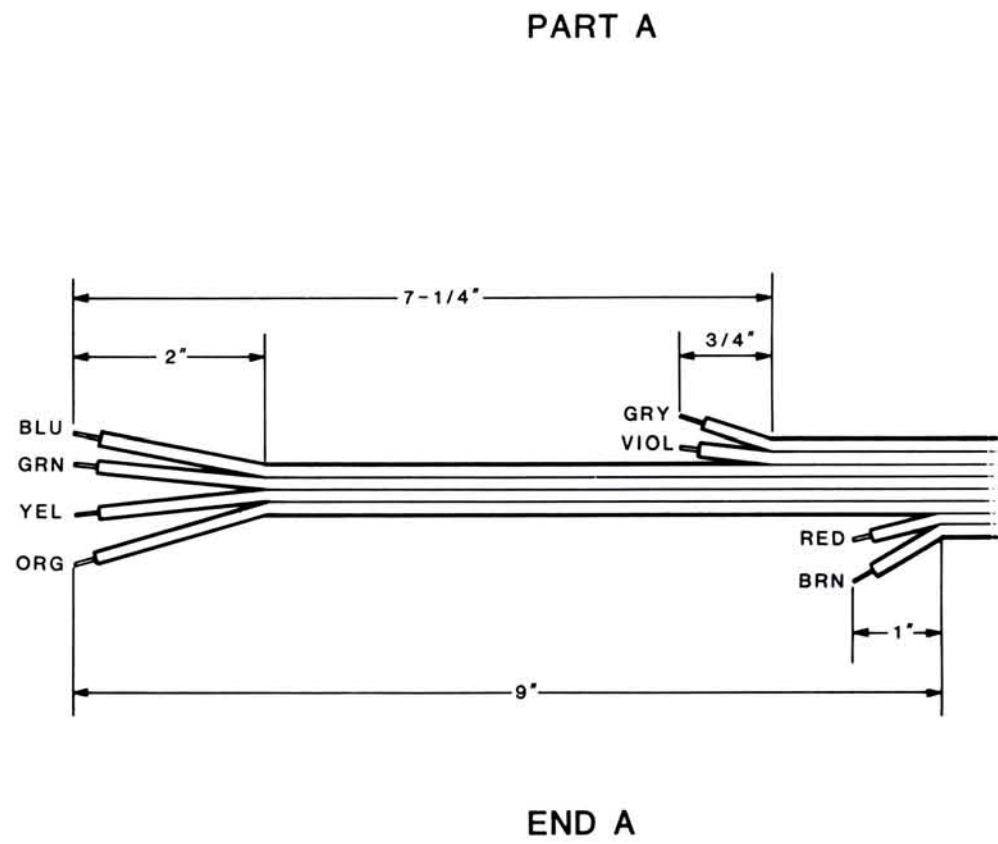
PICTORIAL 3-2



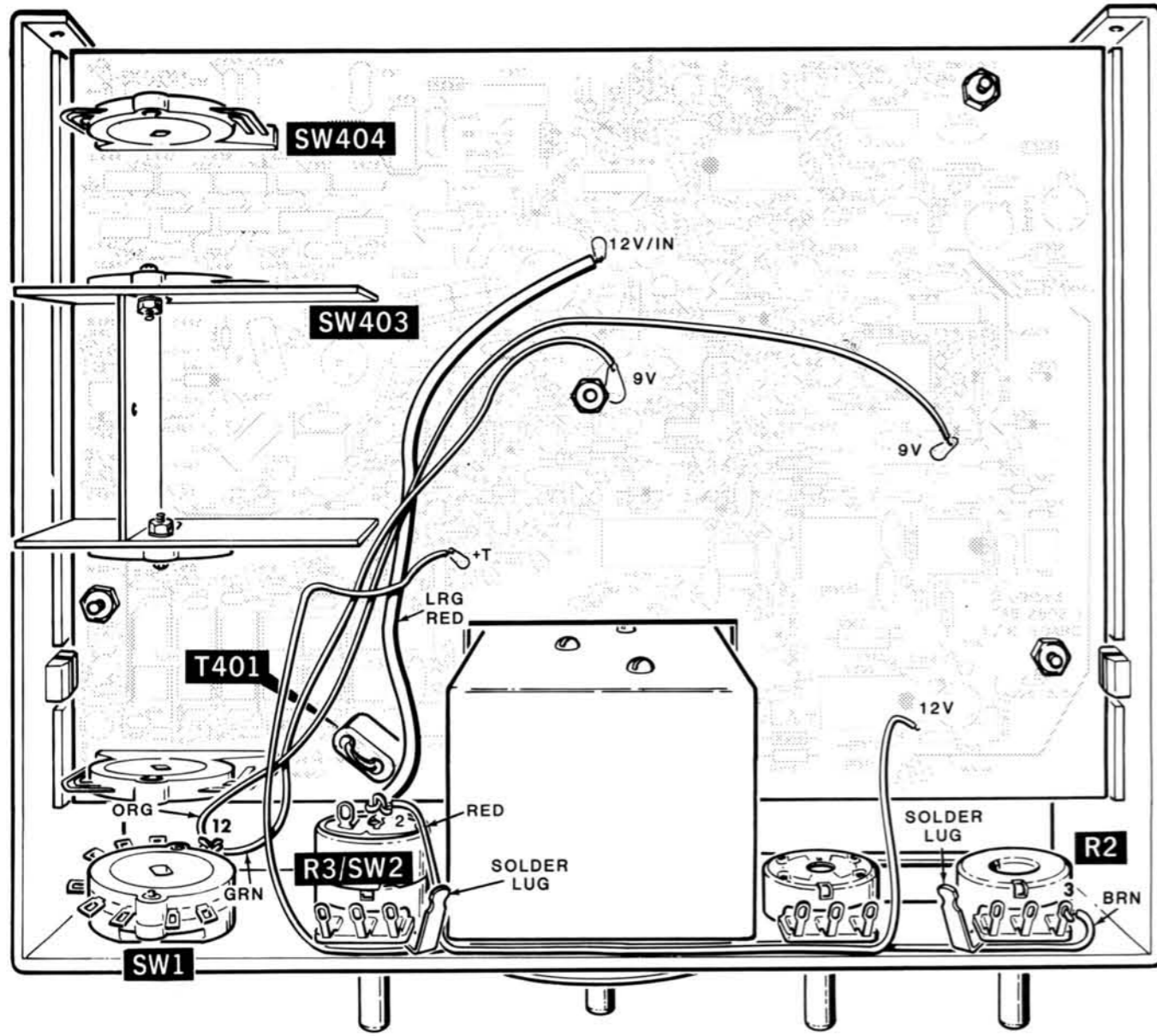
PICTORIAL 3-5



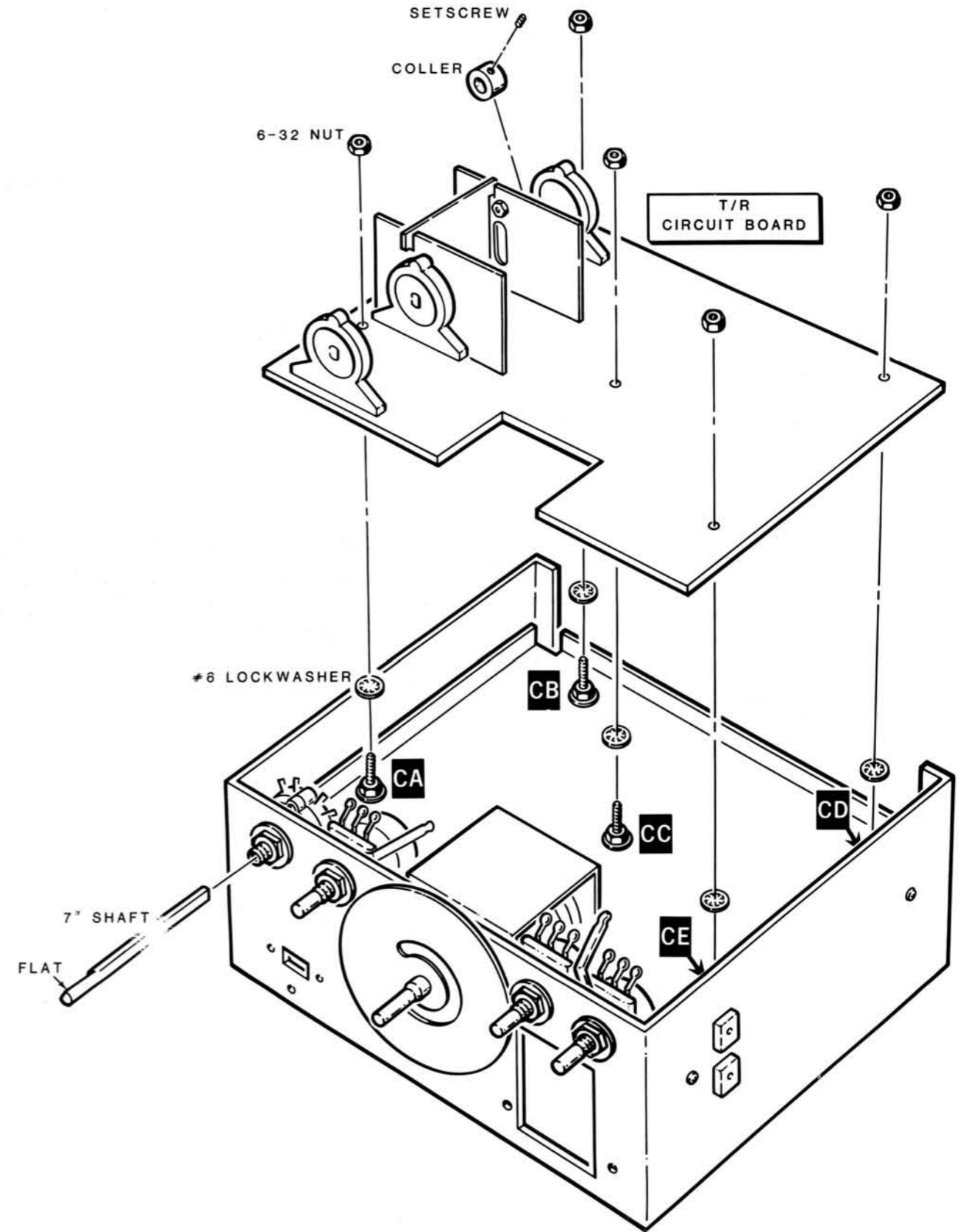
PICTORIAL 3-6



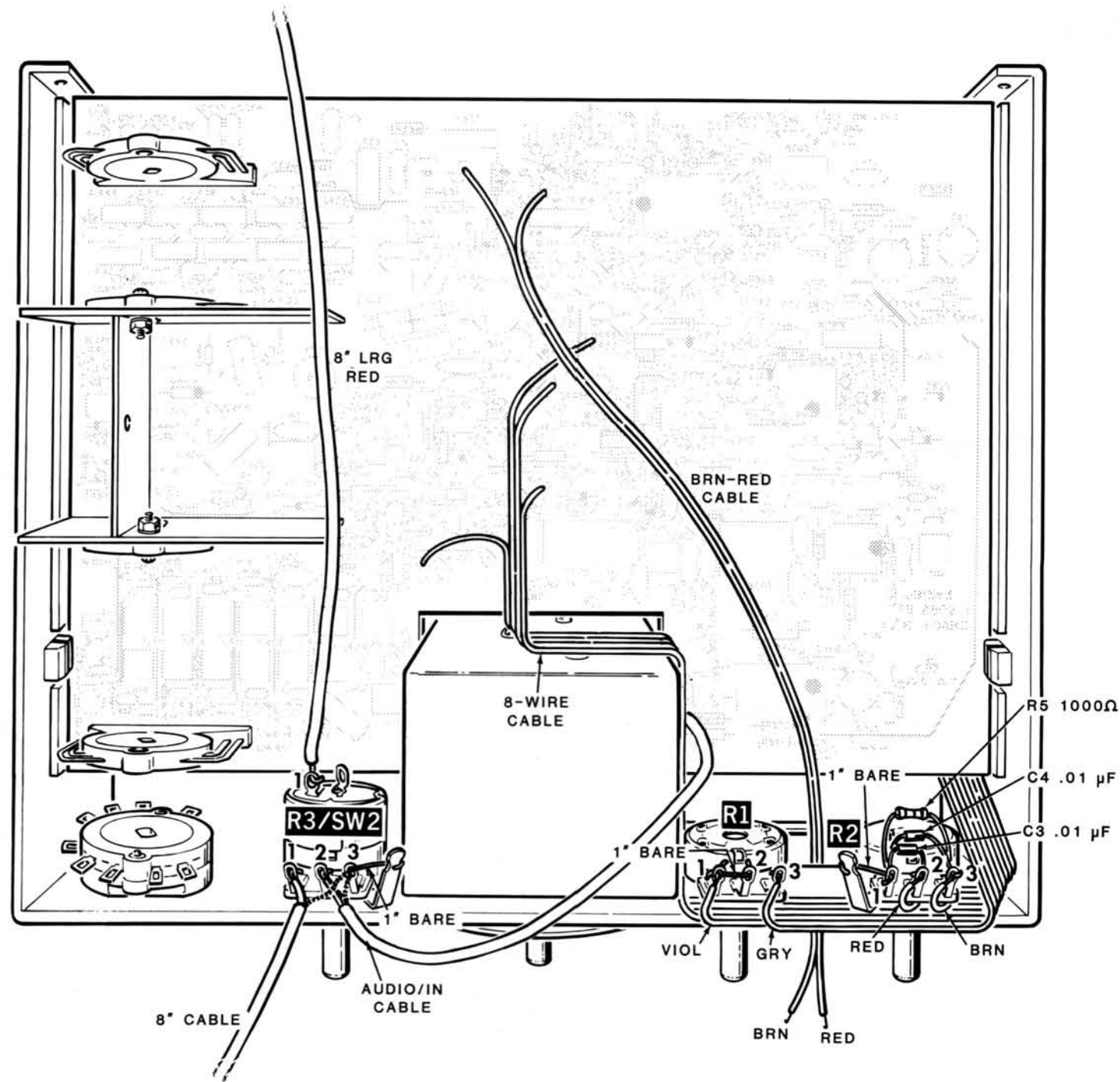
Detail 3-6A



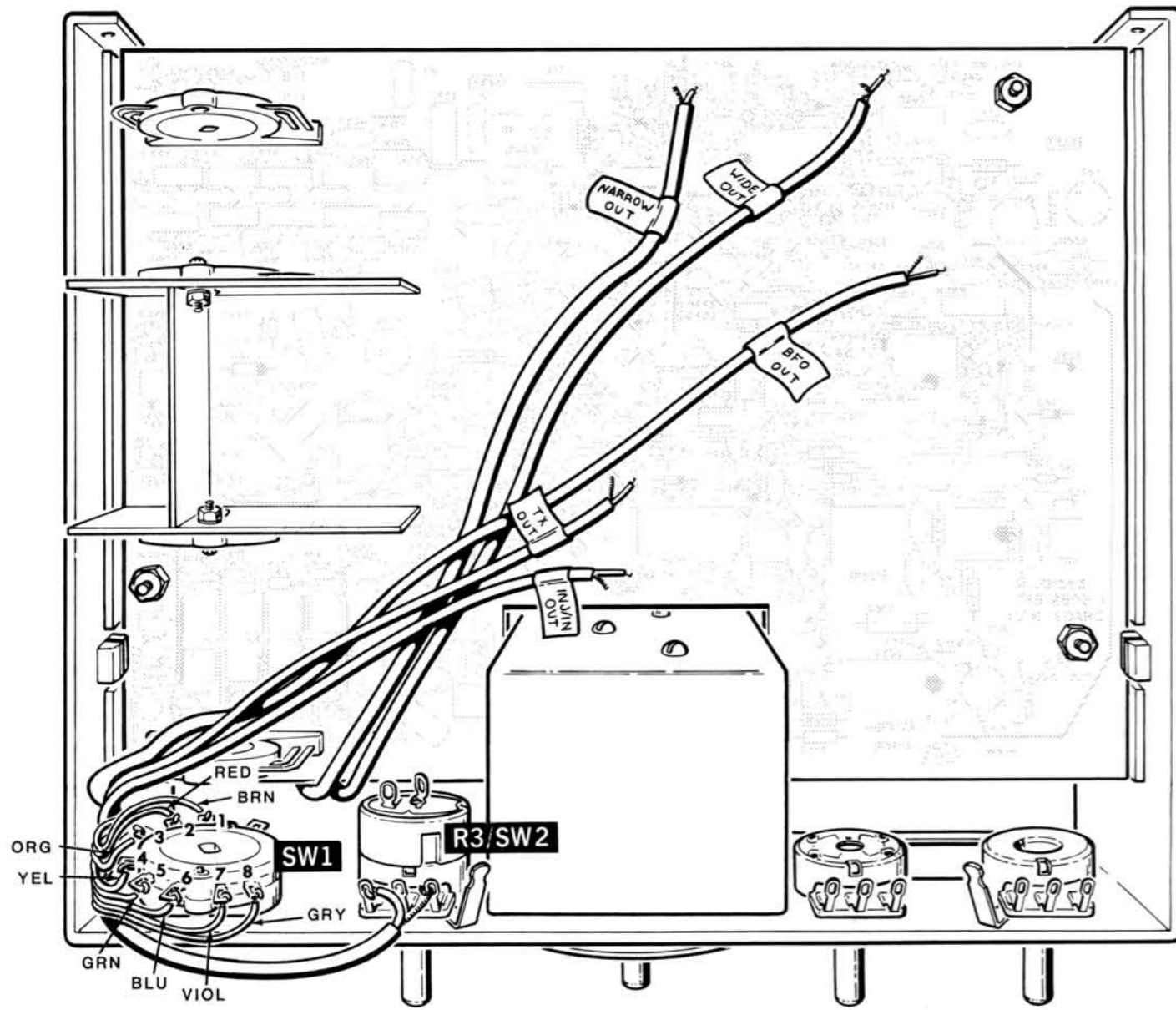
PICTORIAL 3-7



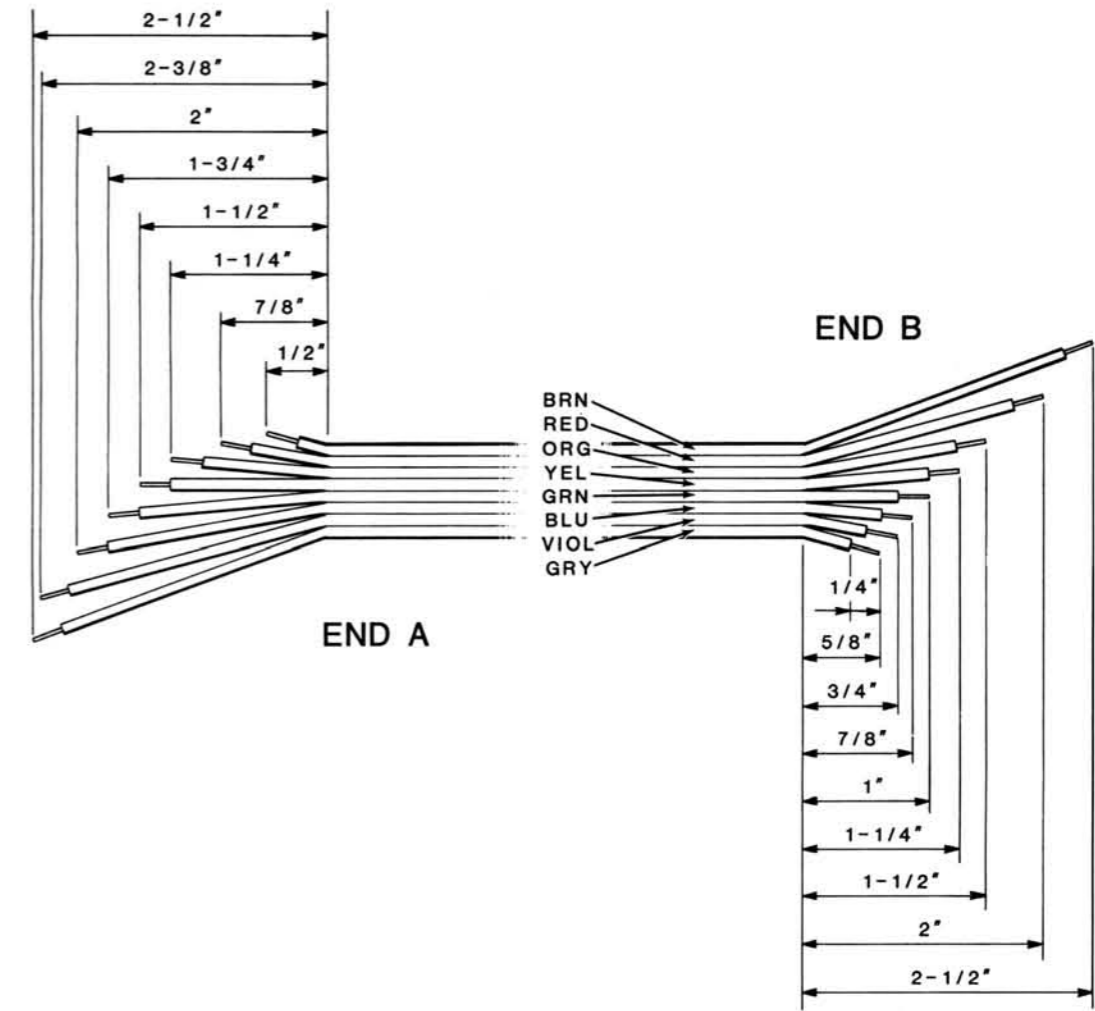
Detail 3-7A



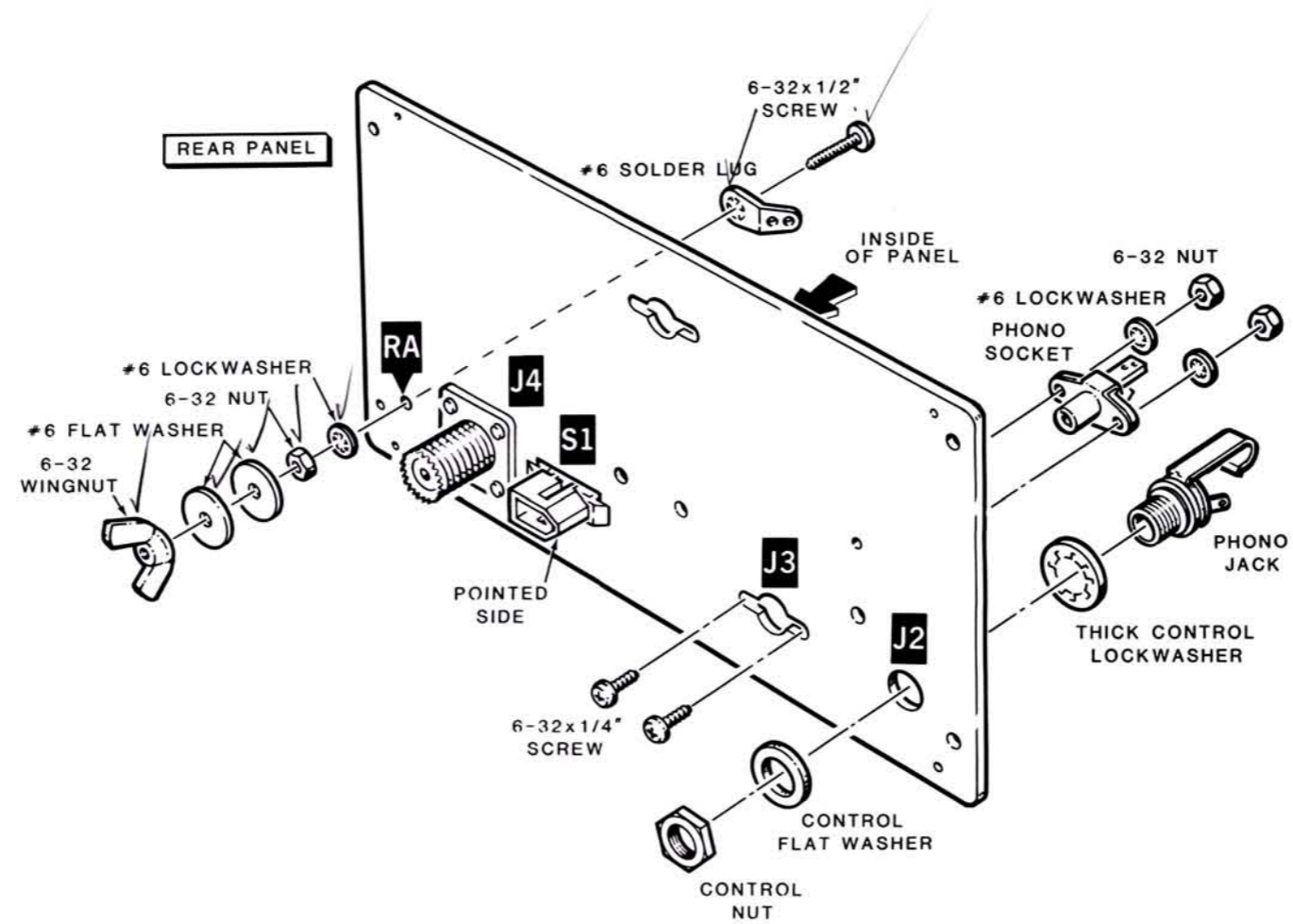
PICTORIAL 3-8



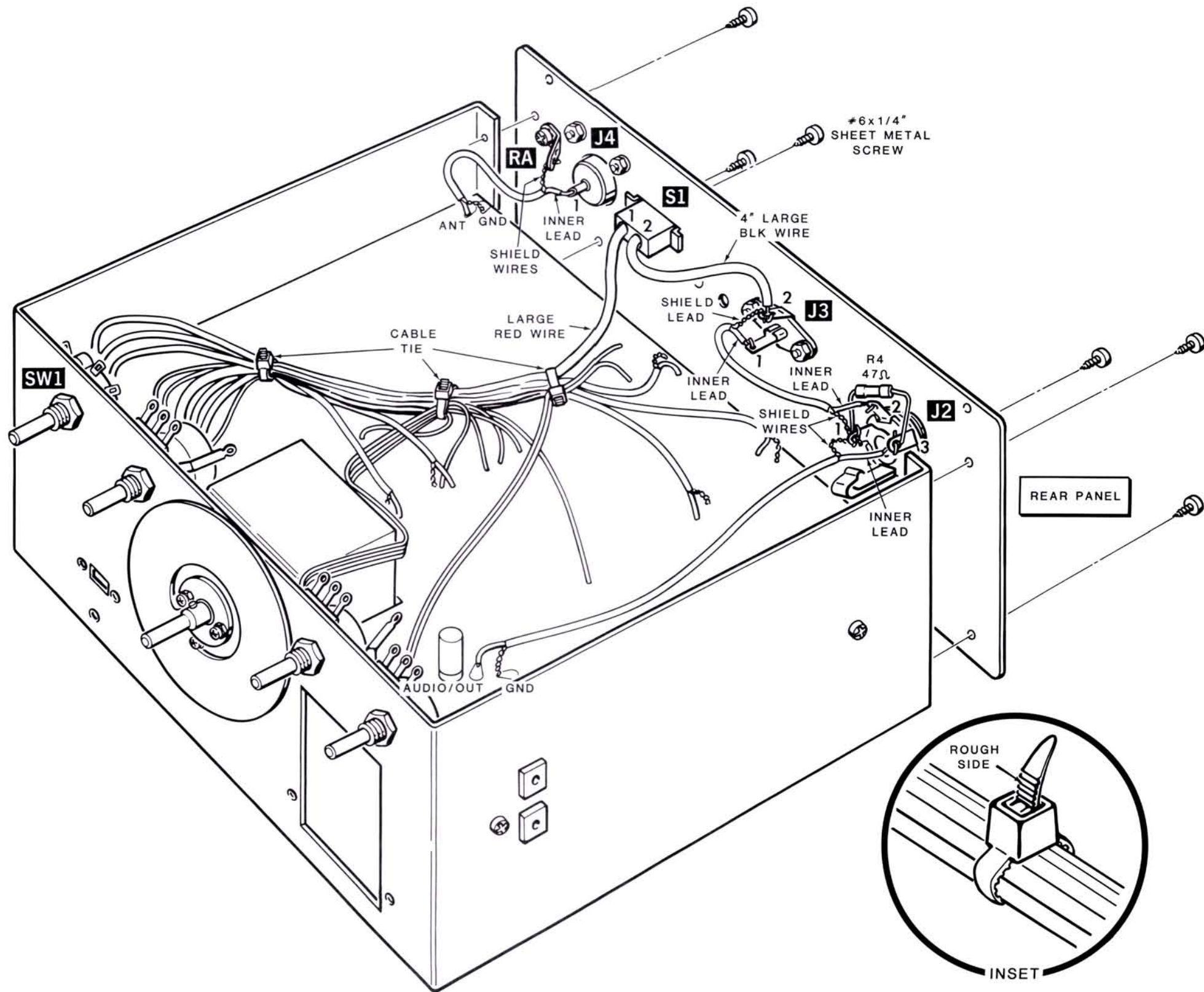
PICTORIAL 3-9



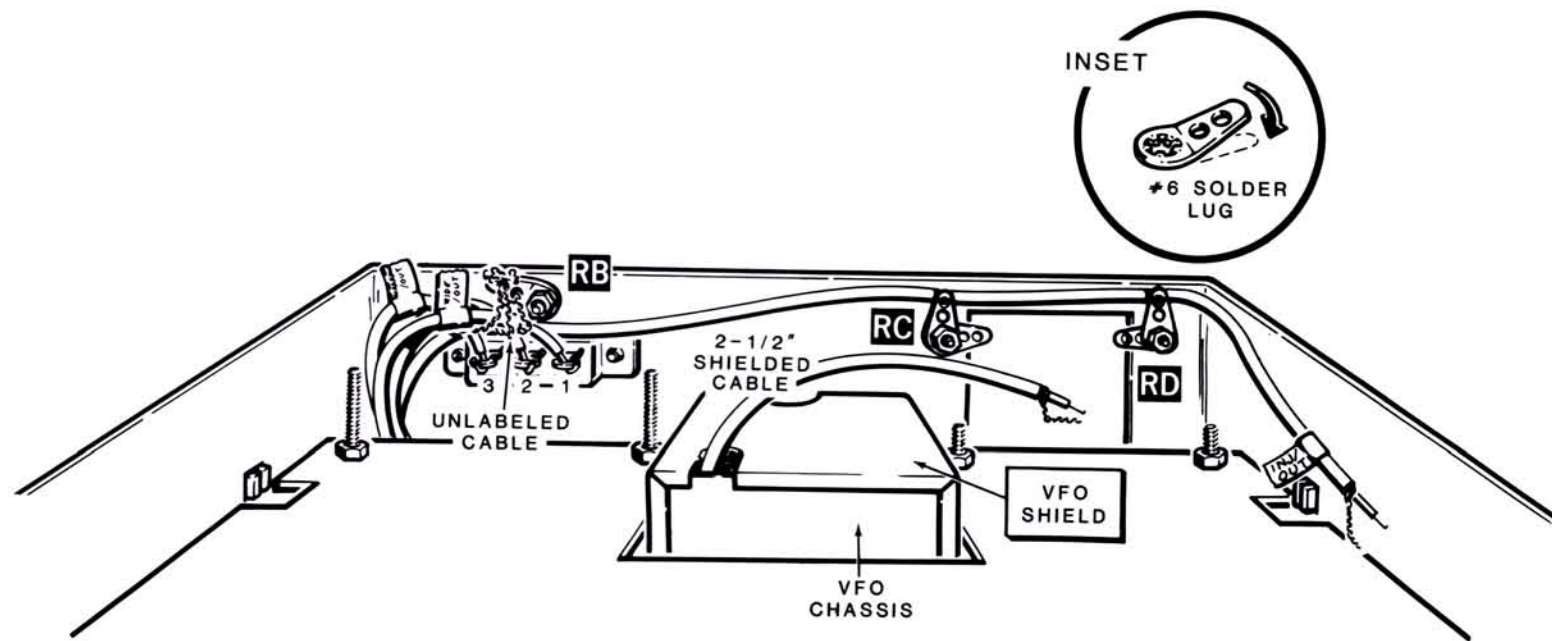
Detail 3-9A



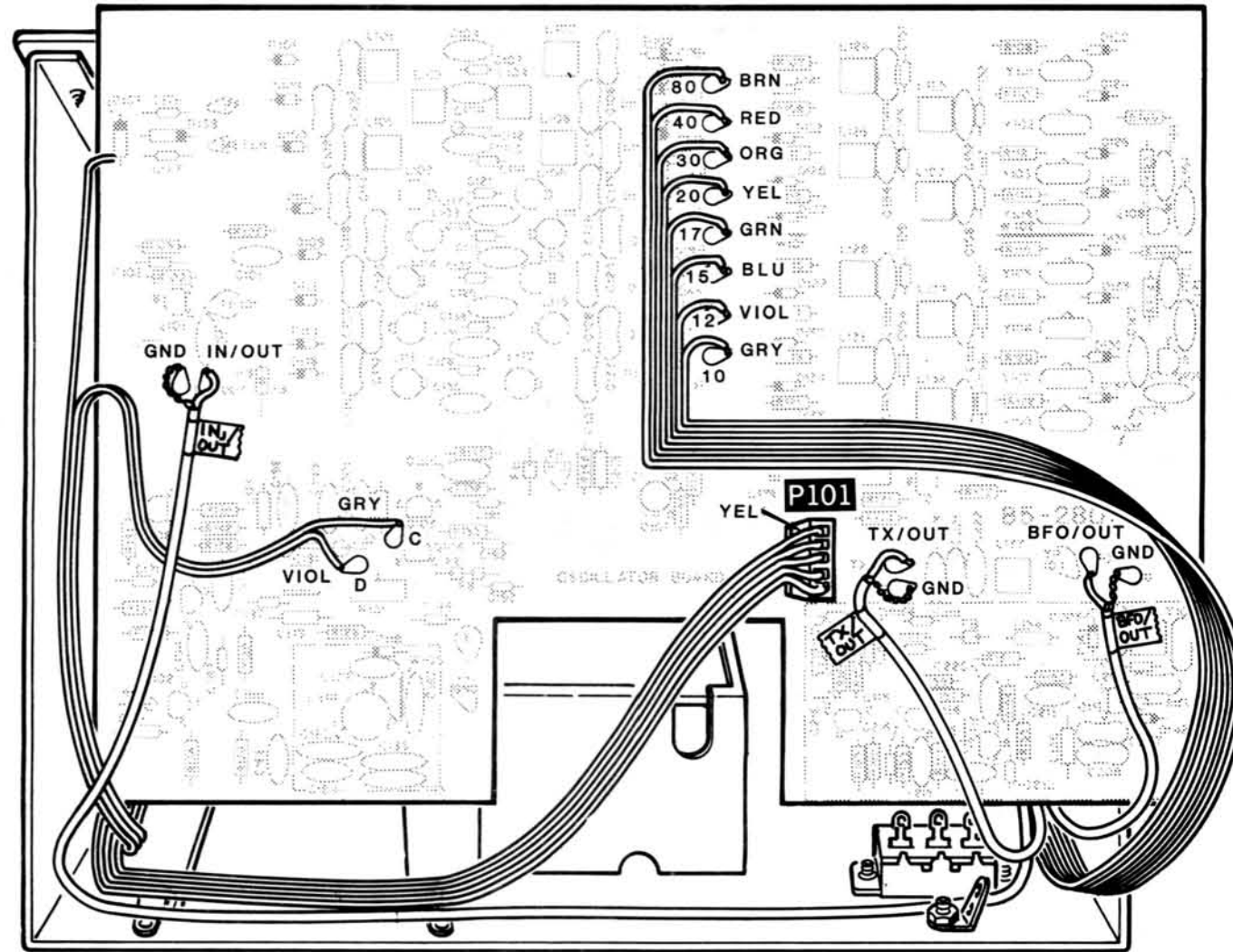
PICTORIAL 3-10



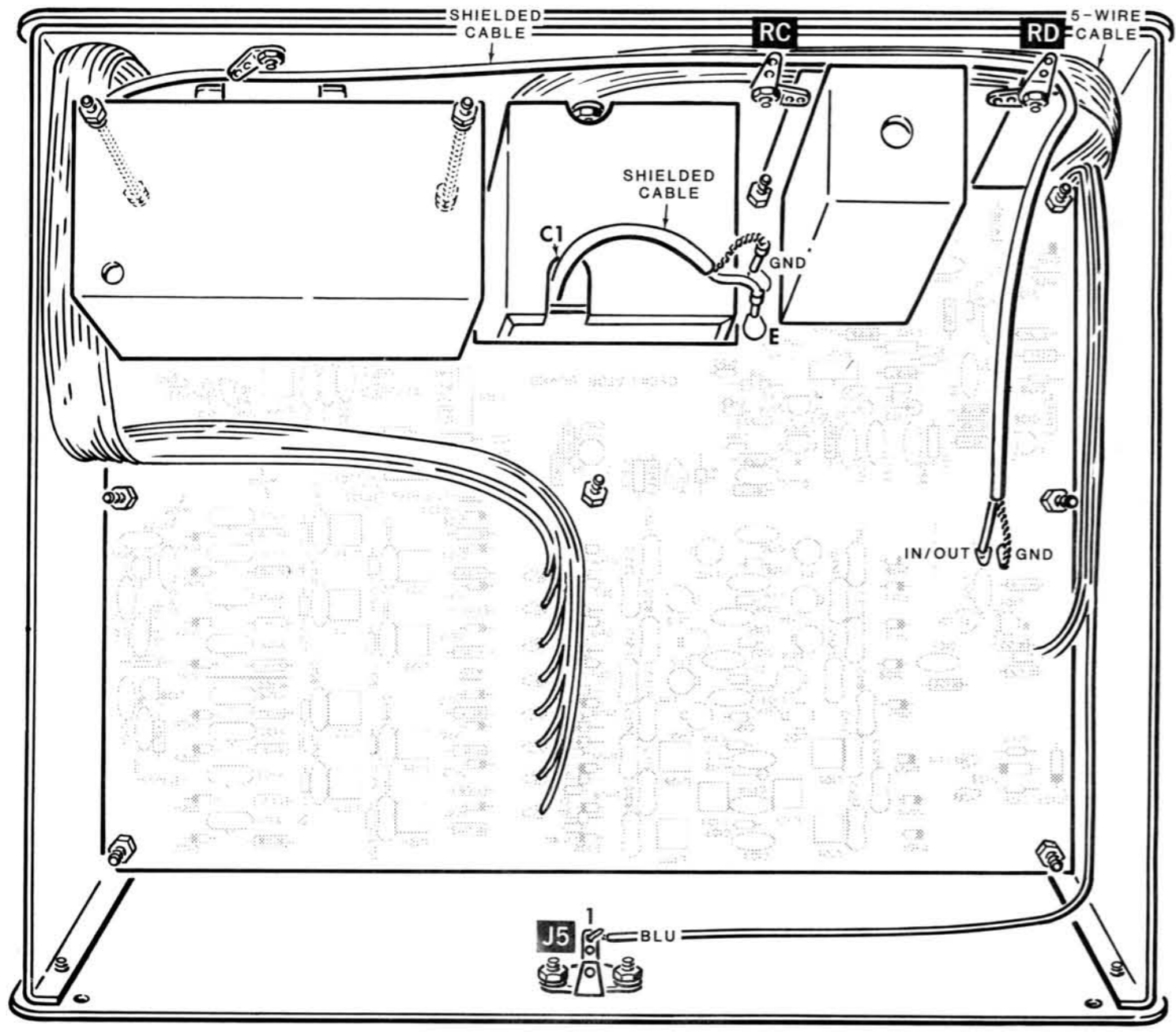
PICTORIAL 3-11



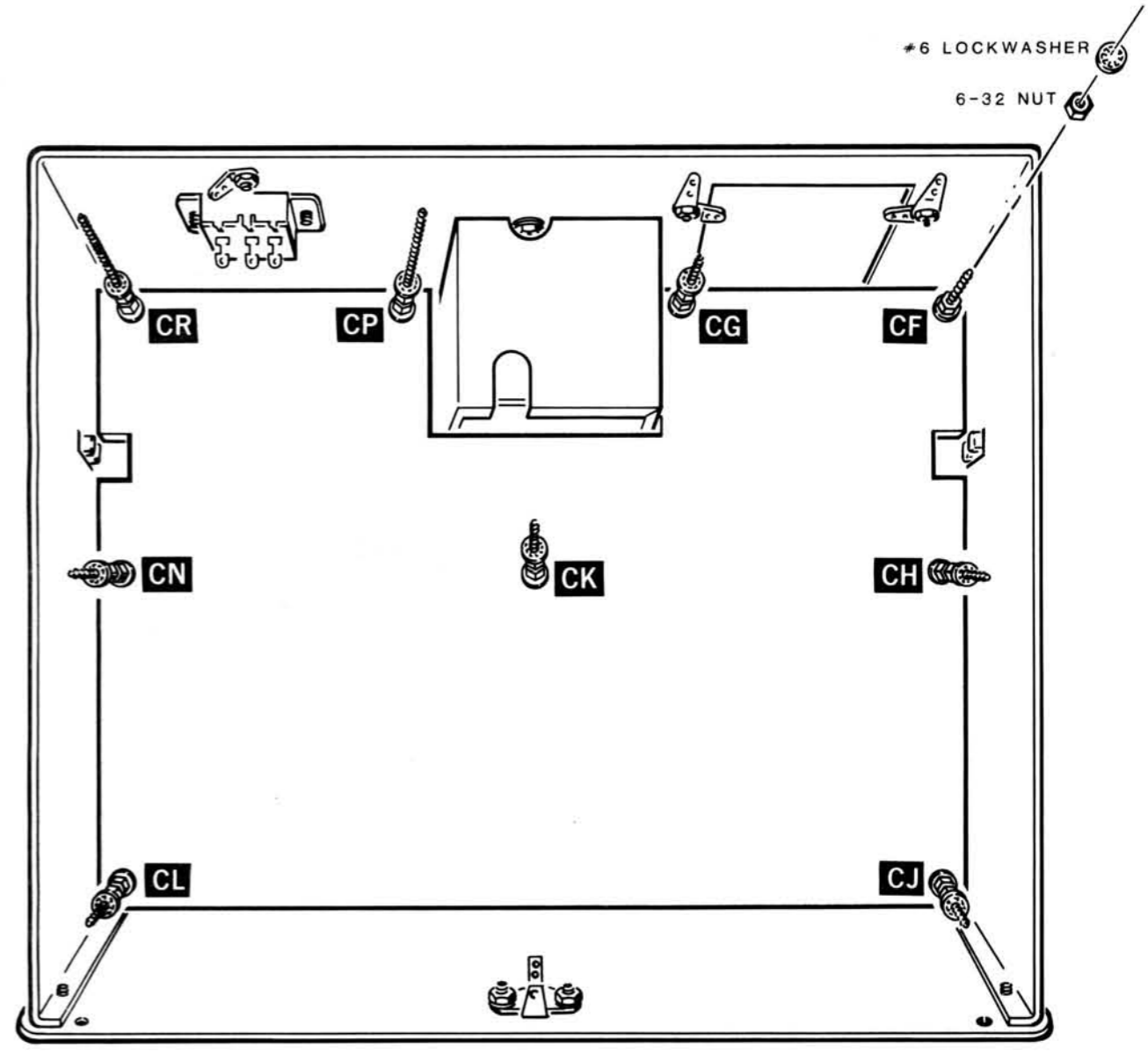
PICTORIAL 3-12



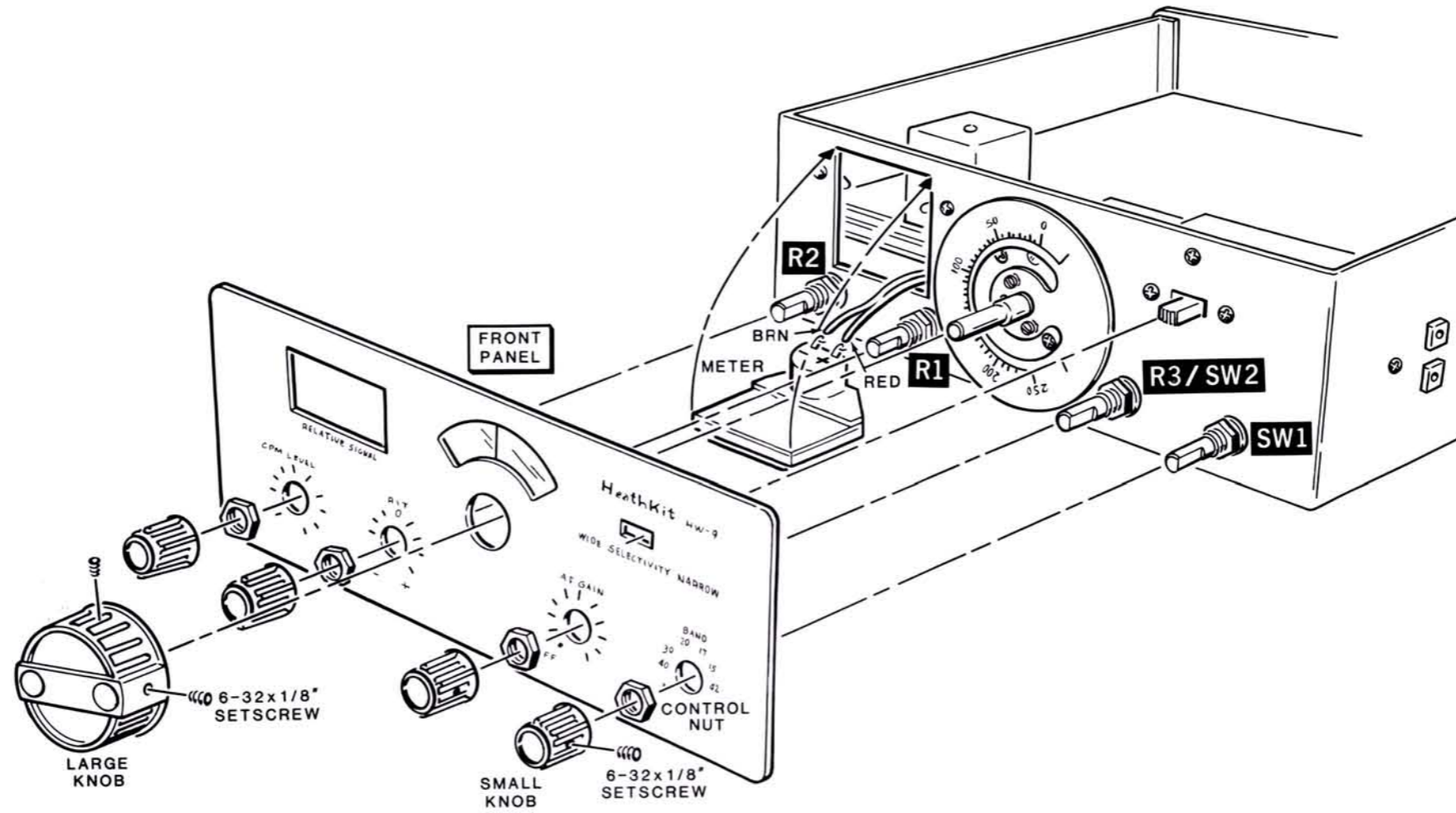
PICTORIAL 3-13



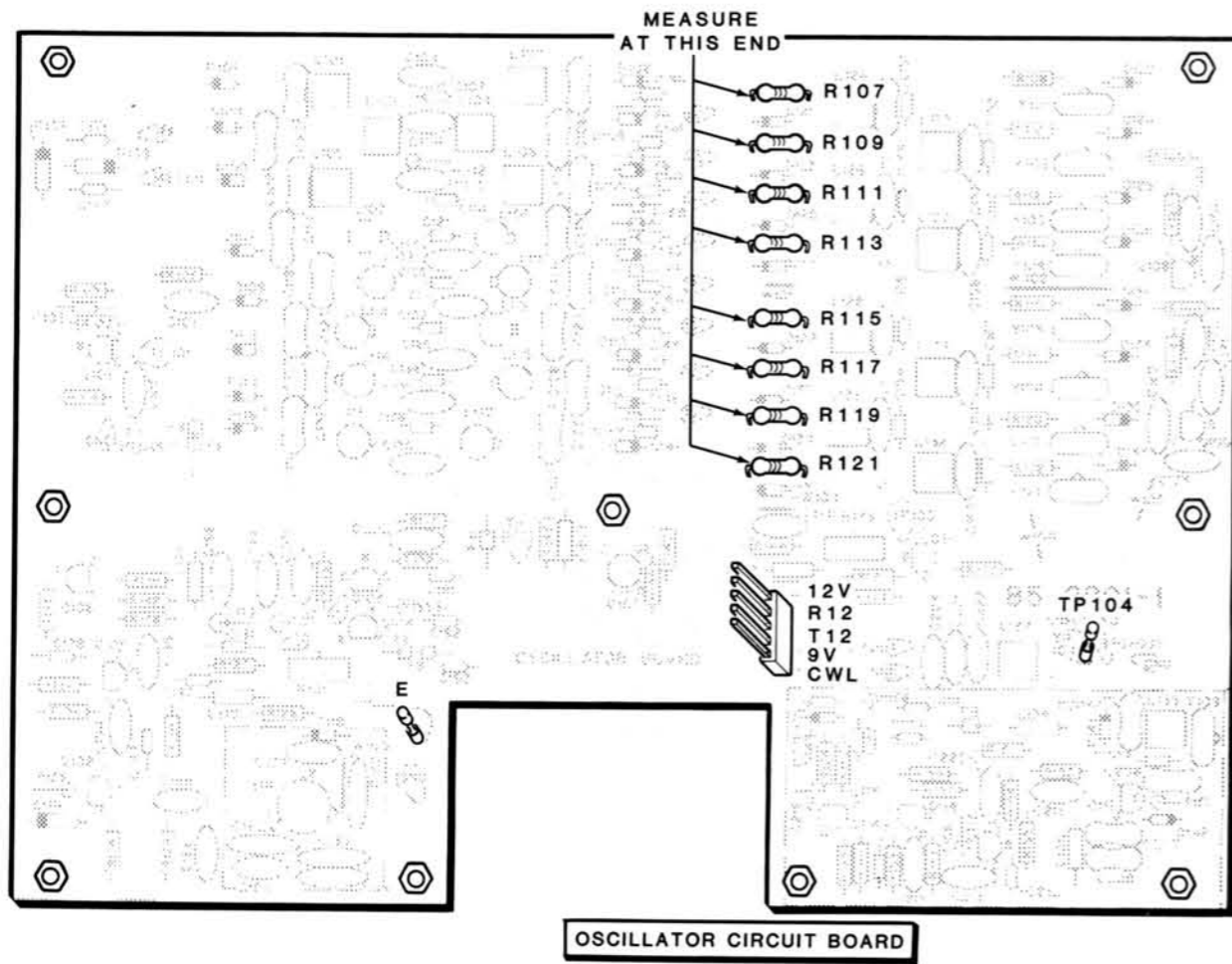
PICTORIAL 3-14



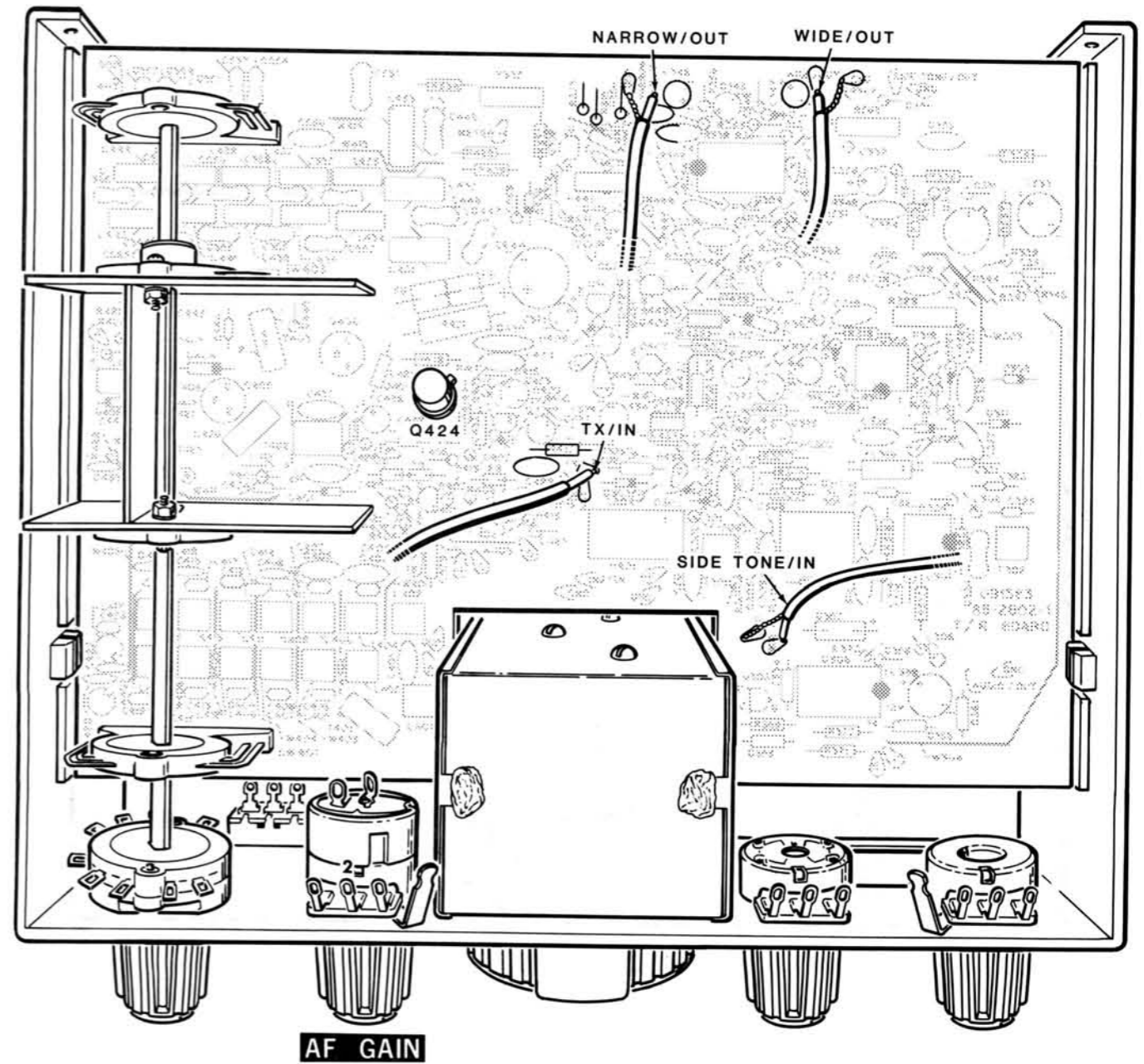
Detail 3-14A



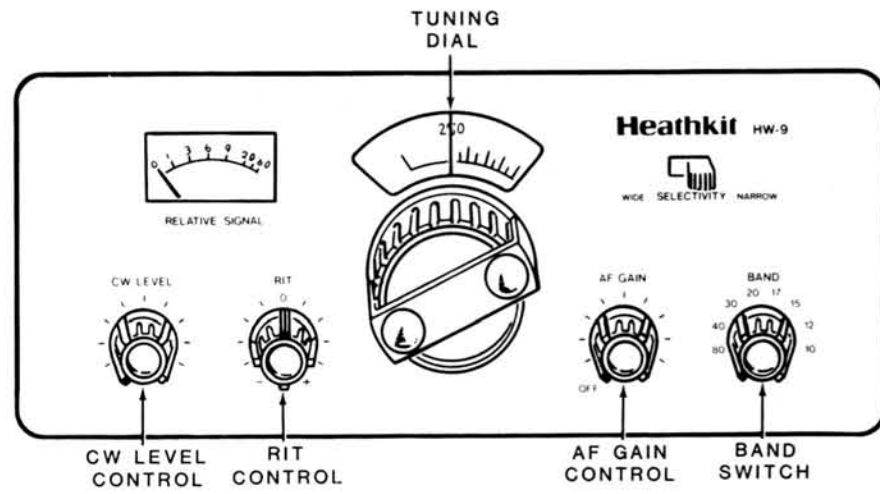
PICTORIAL 3-15



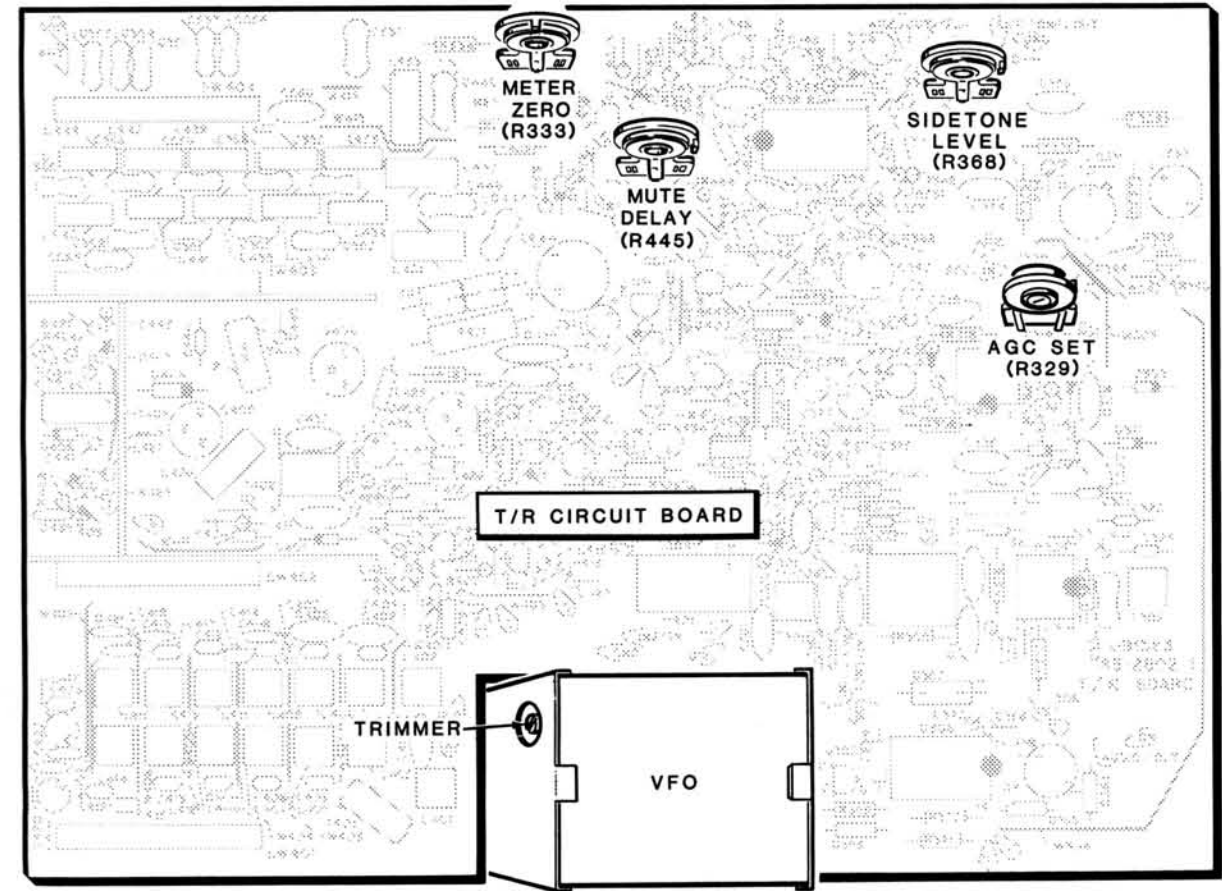
PICTORIAL 4-1



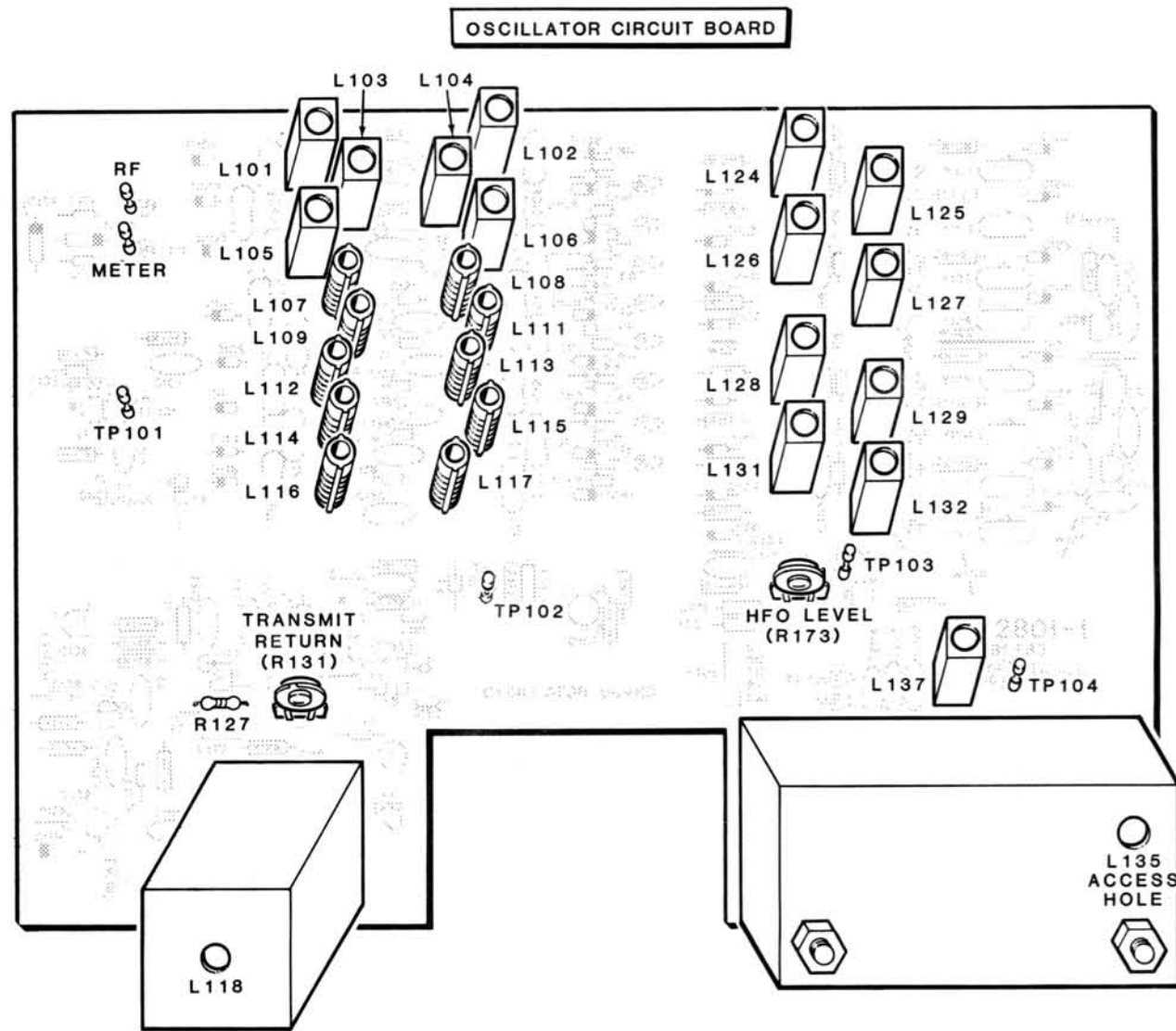
PICTORIAL 4-2



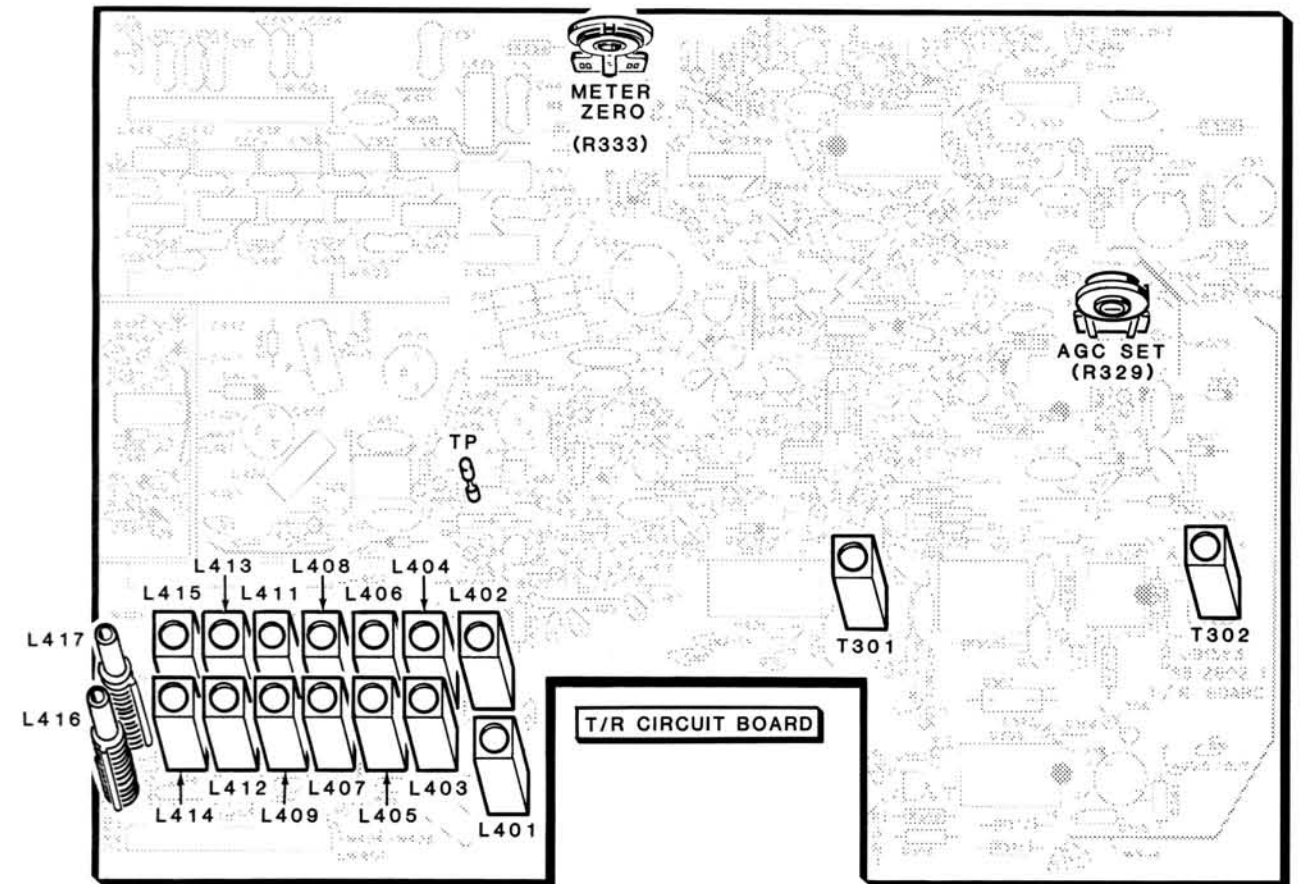
PICTORIAL 5-1



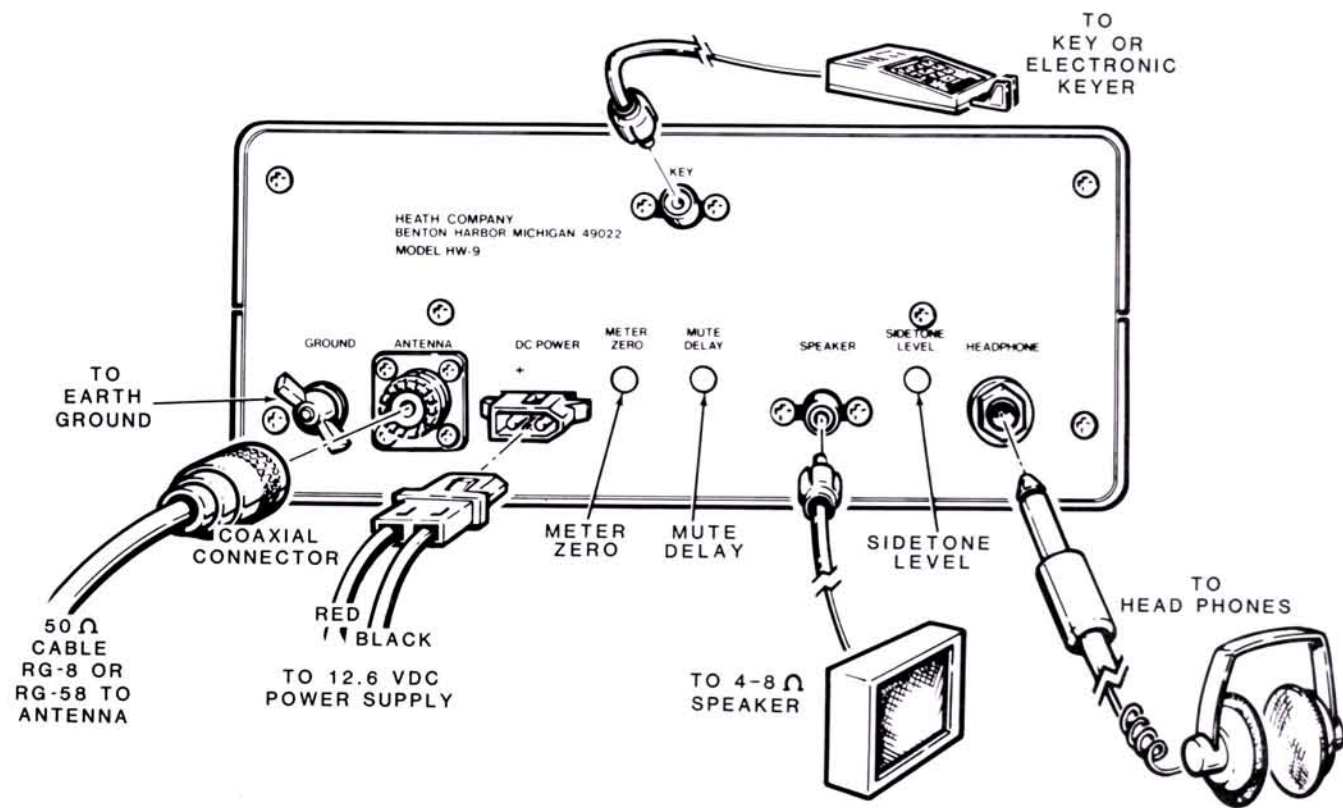
PICTORIAL 5-2



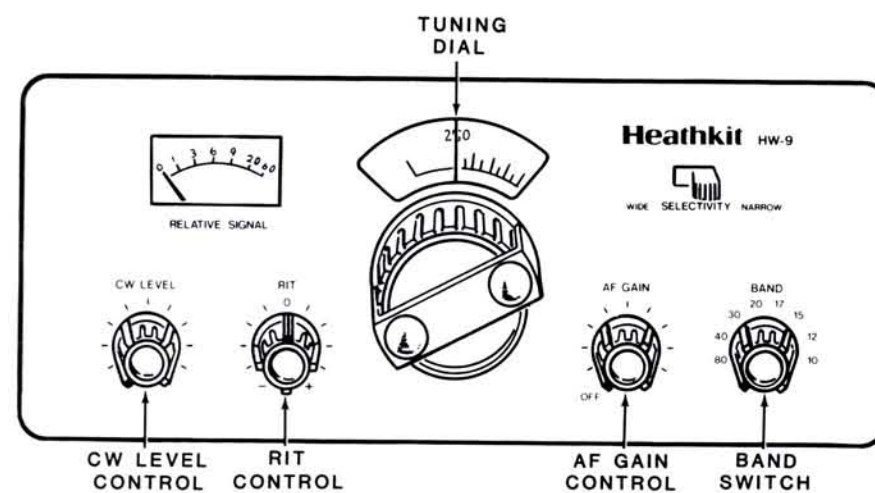
PICTORIAL 5-3



PICTORIAL 5-4



PICTORIAL 7-1

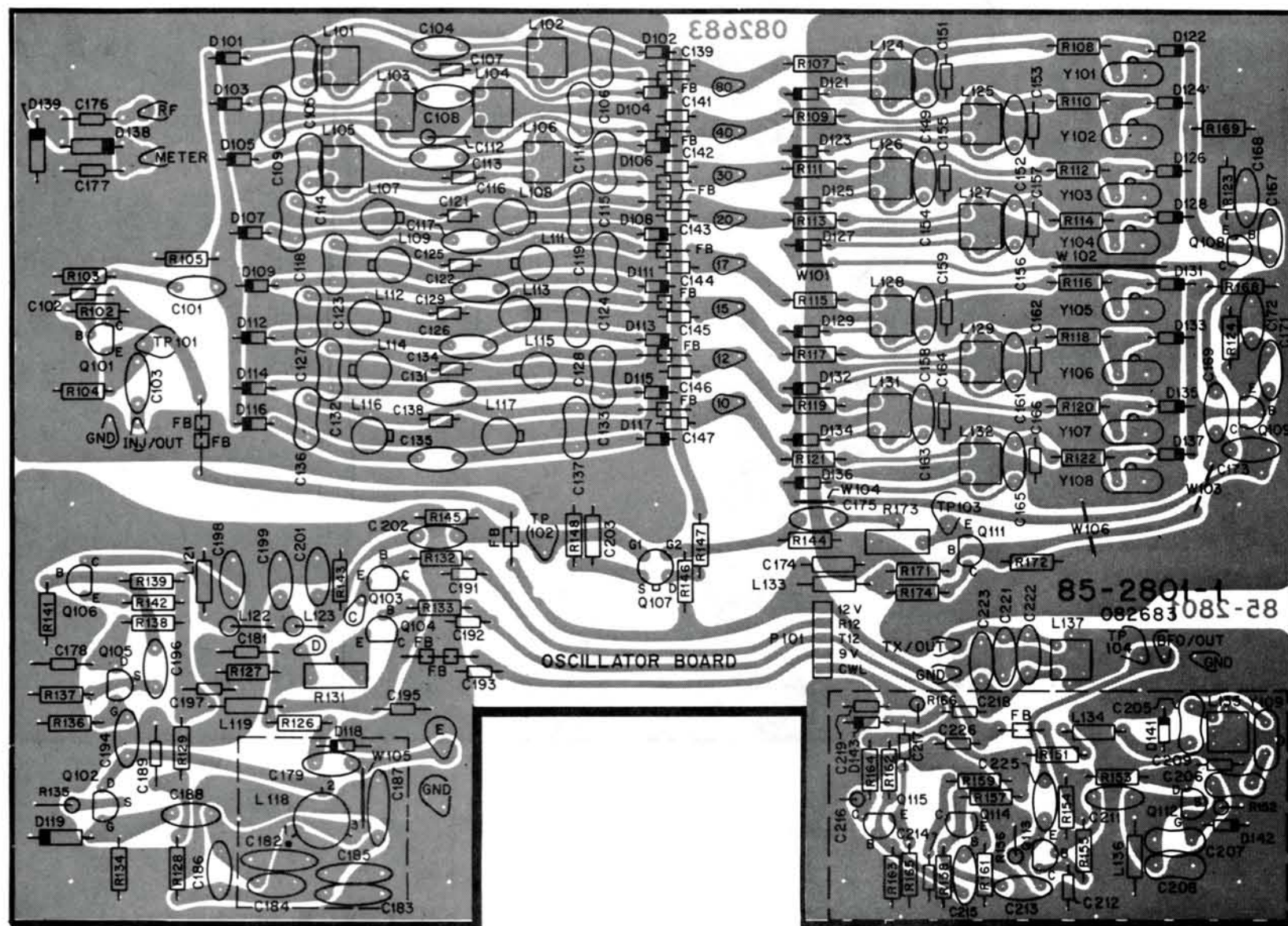


PICTORIAL 7-2

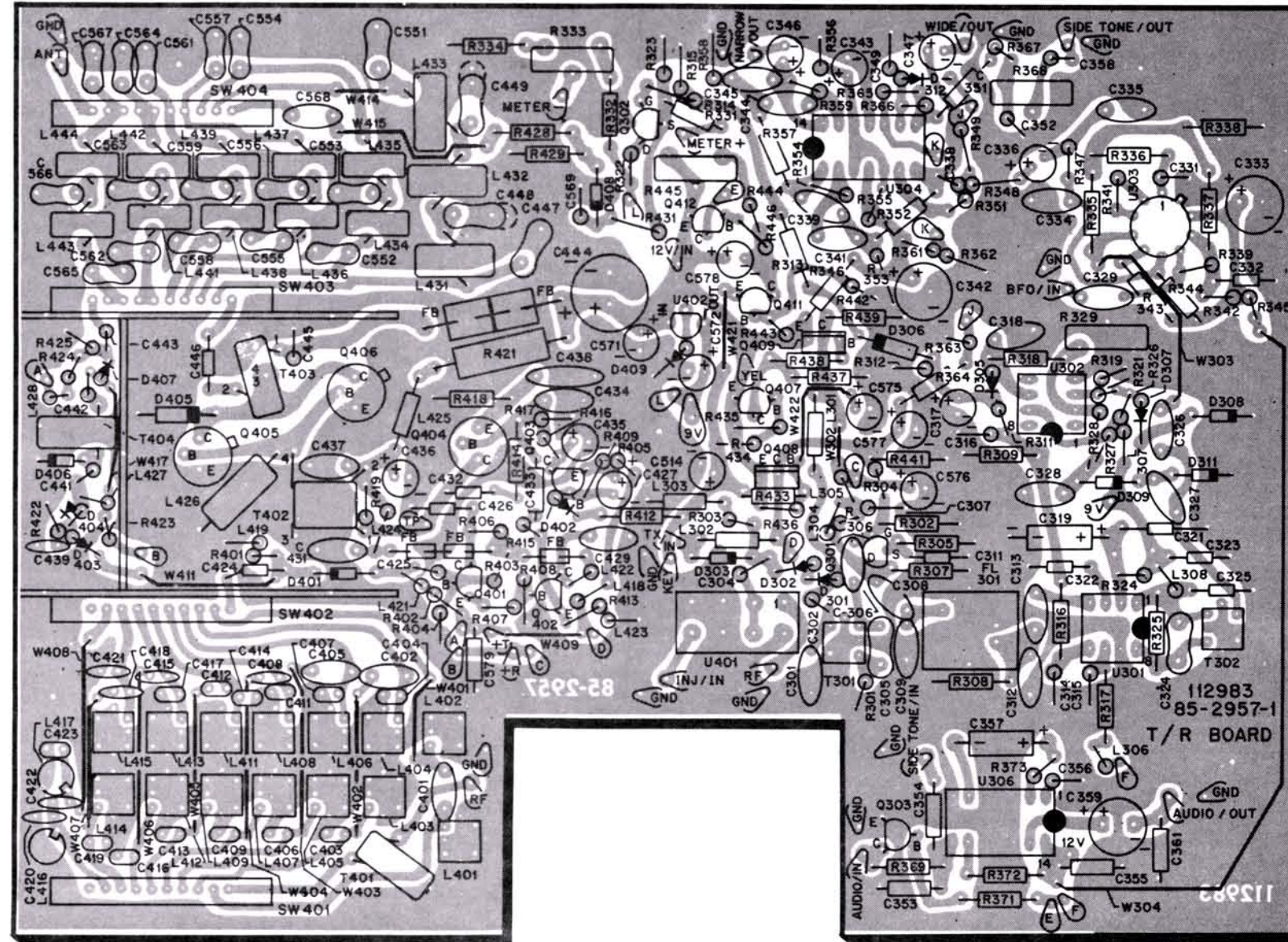
CIRCUIT BOARD X-RAY VIEWS

NOTE: To find the PART NUMBER of a component for the purpose of ordering a replacement part:

- Find the circuit component number (R5, C3, etc.) on the X-Ray View.
- Locate this same number in the "Circuit Component Number" column of the corresponding "Parts List."
- Adjacent to the circuit component number, you will find the PART NUMBER and DESCRIPTION which must be supplied when you order a replacement part.



Oscillator Circuit Board
(Shown from the component side.)



T/R Circuit Board
(Shown from the component side.)