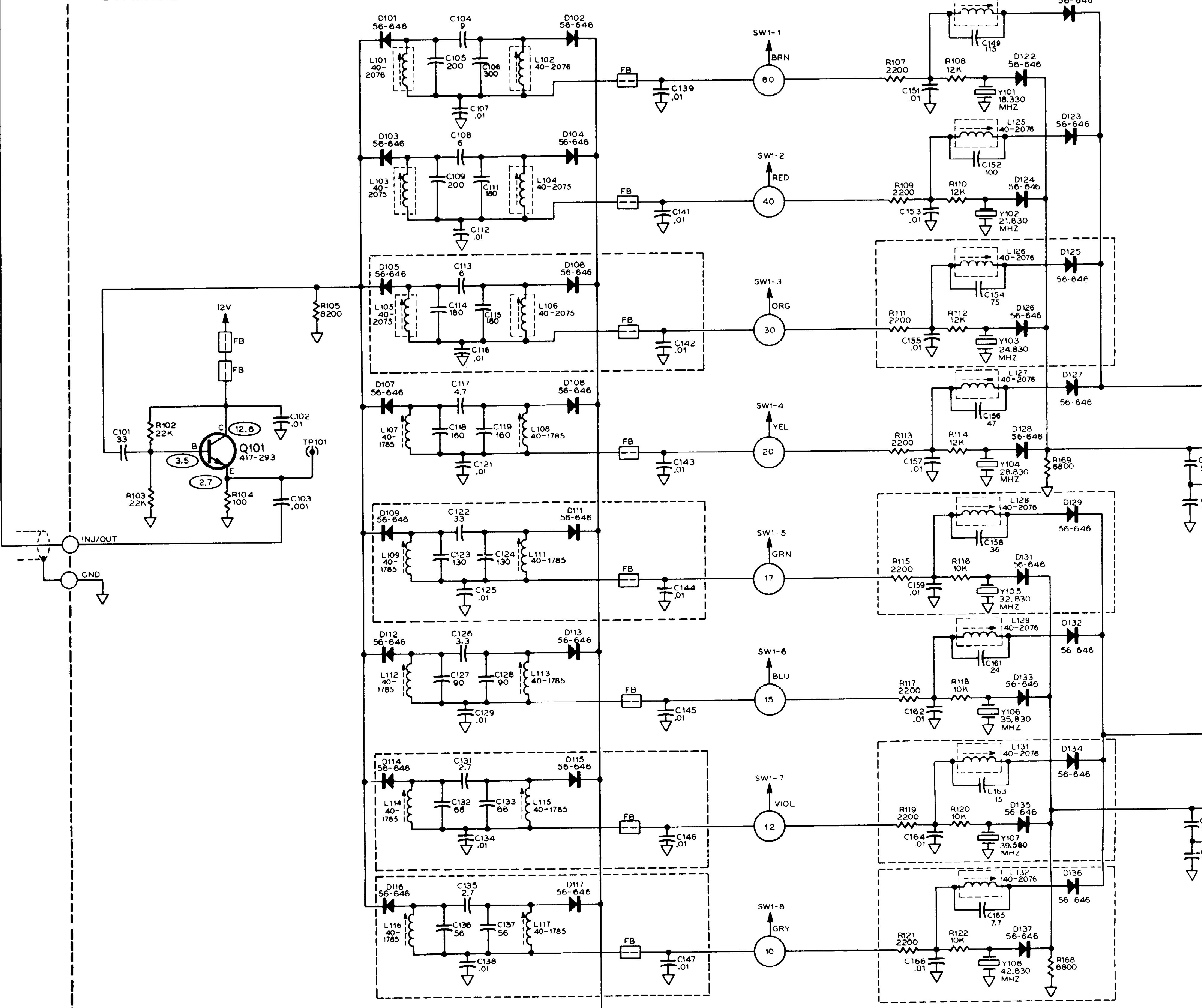


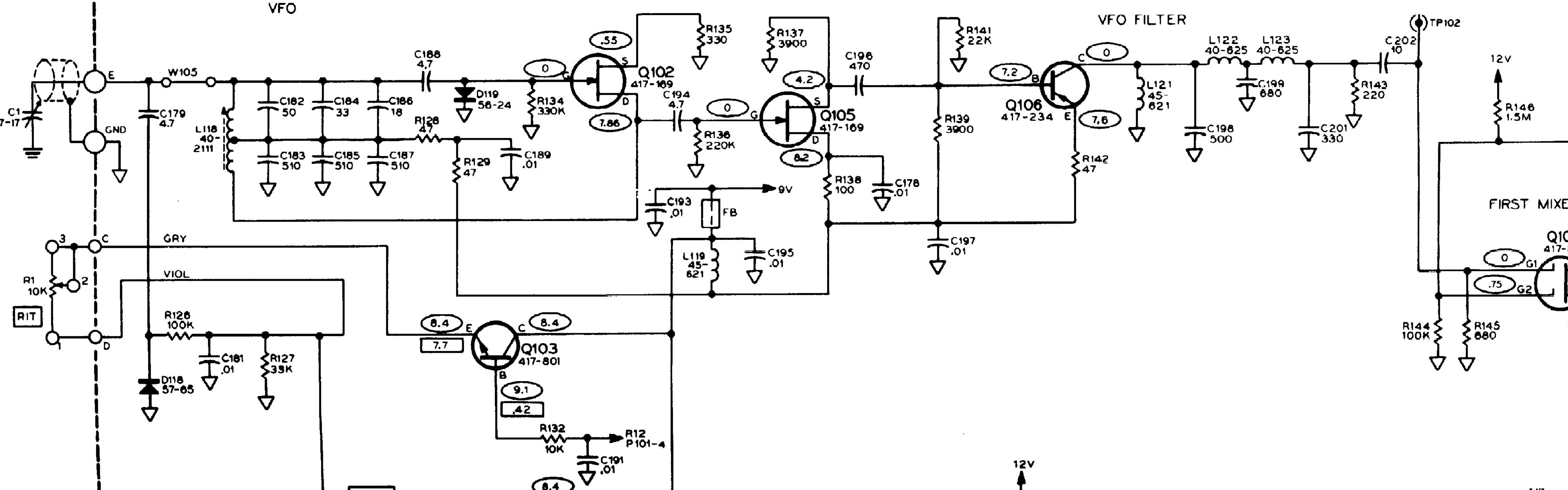
# OSCILLATOR CIRCUIT BOARD

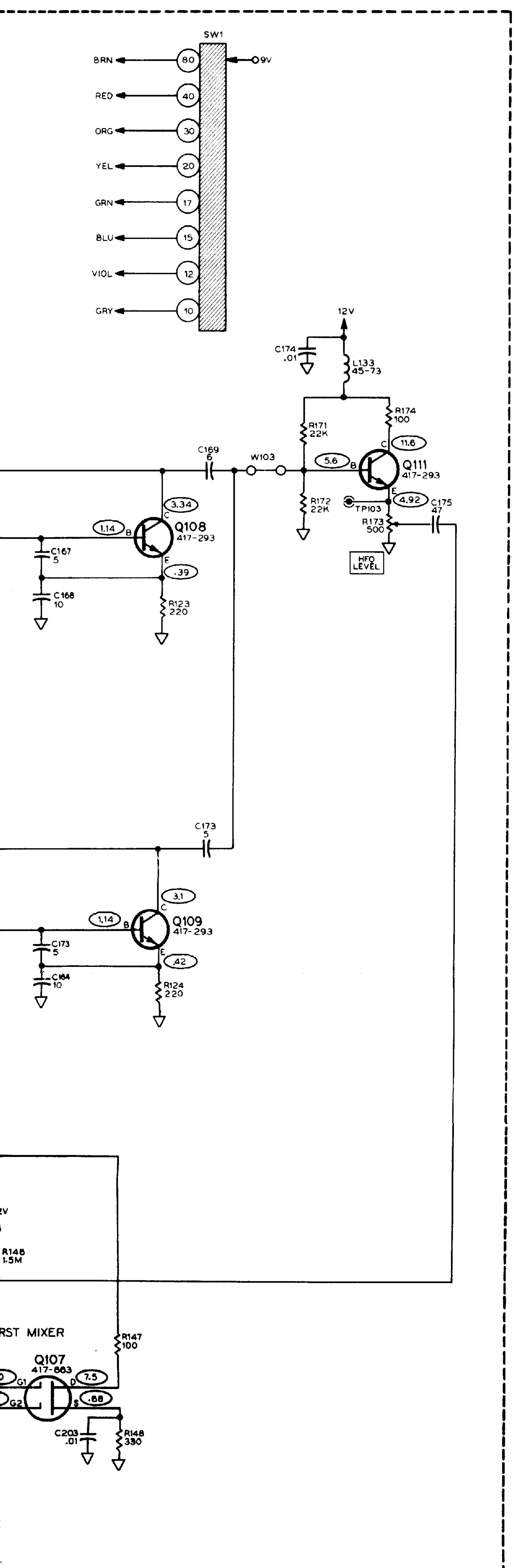
HFO



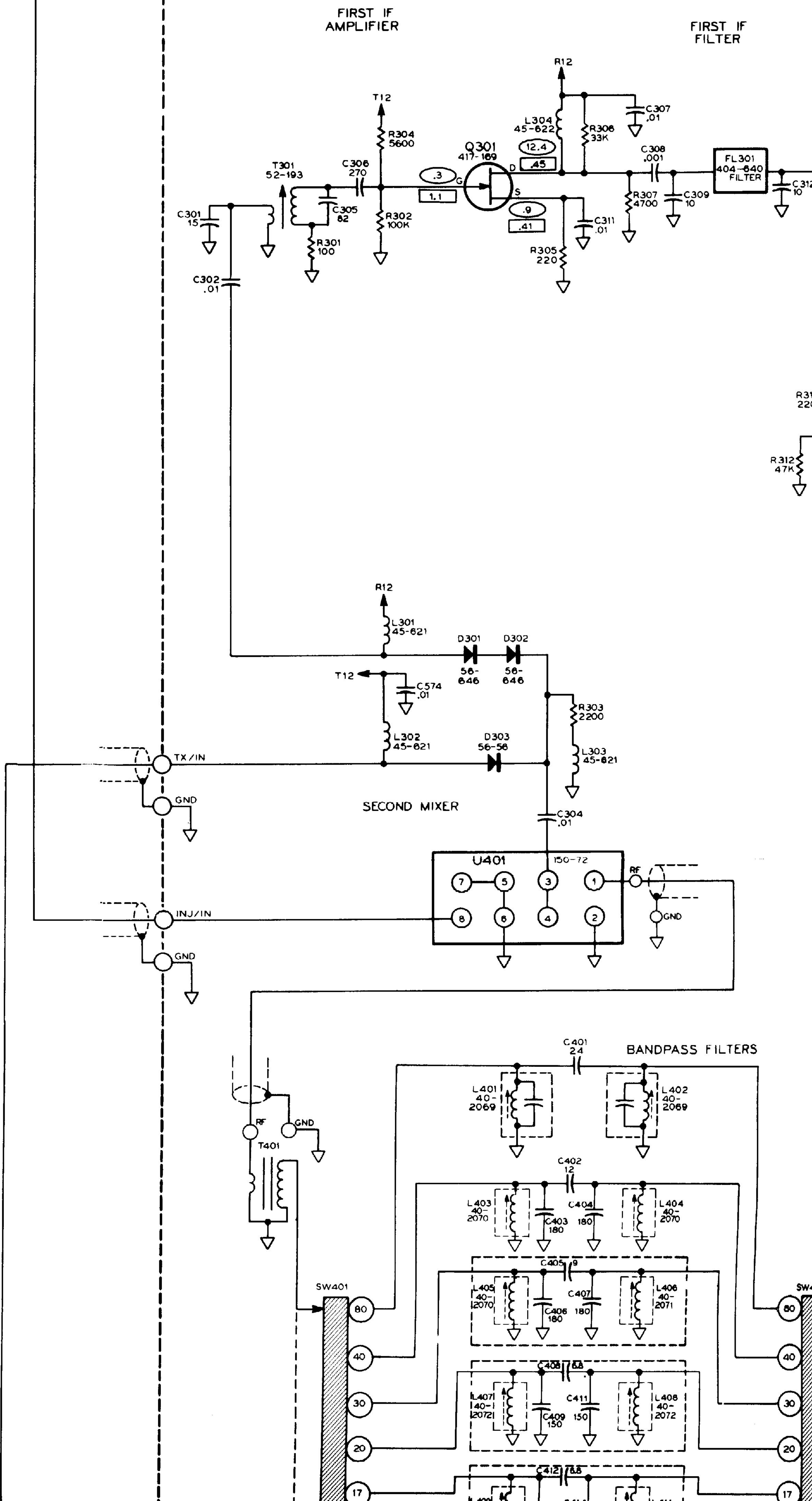
VFO

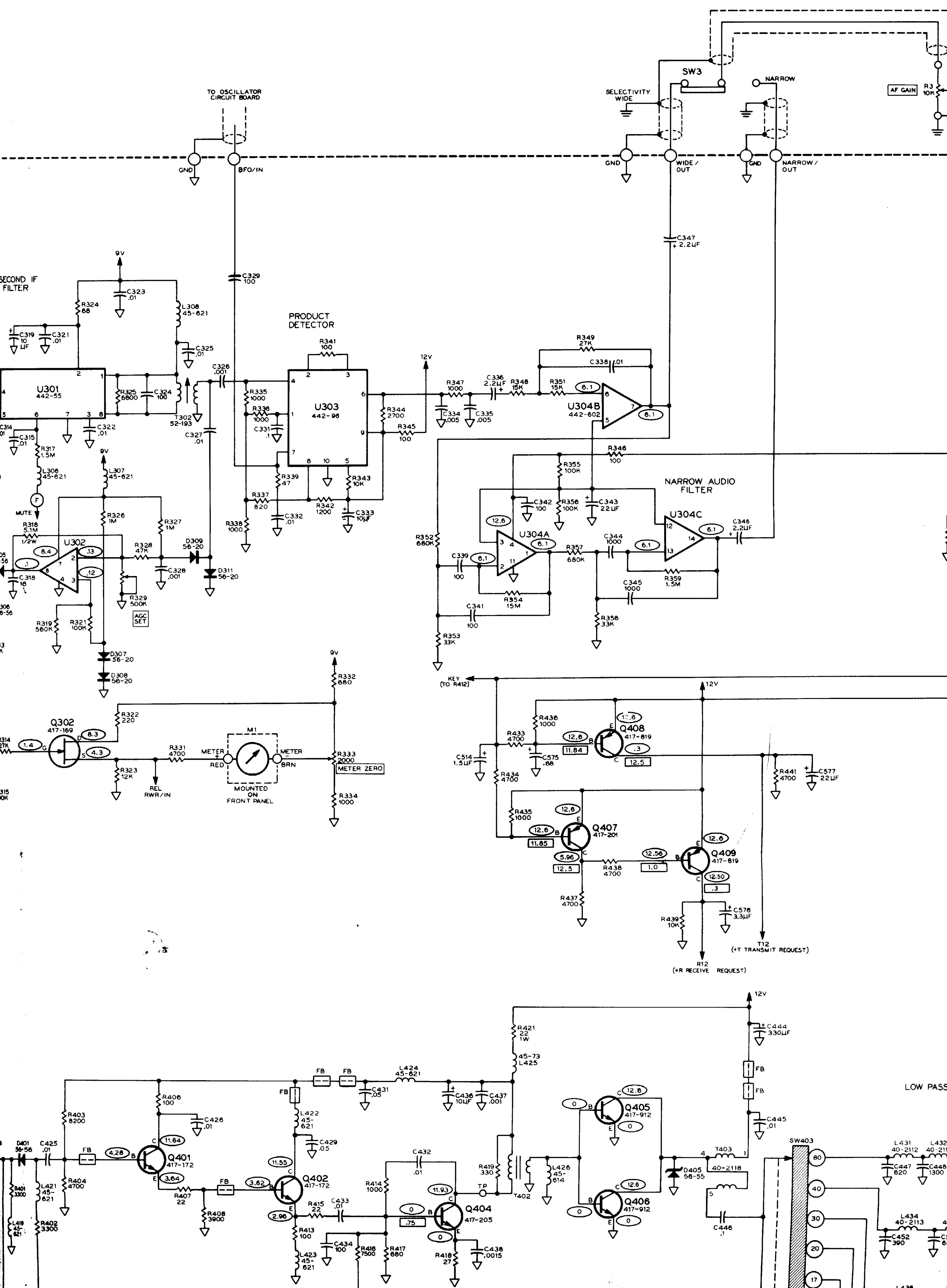
VFO FILTER

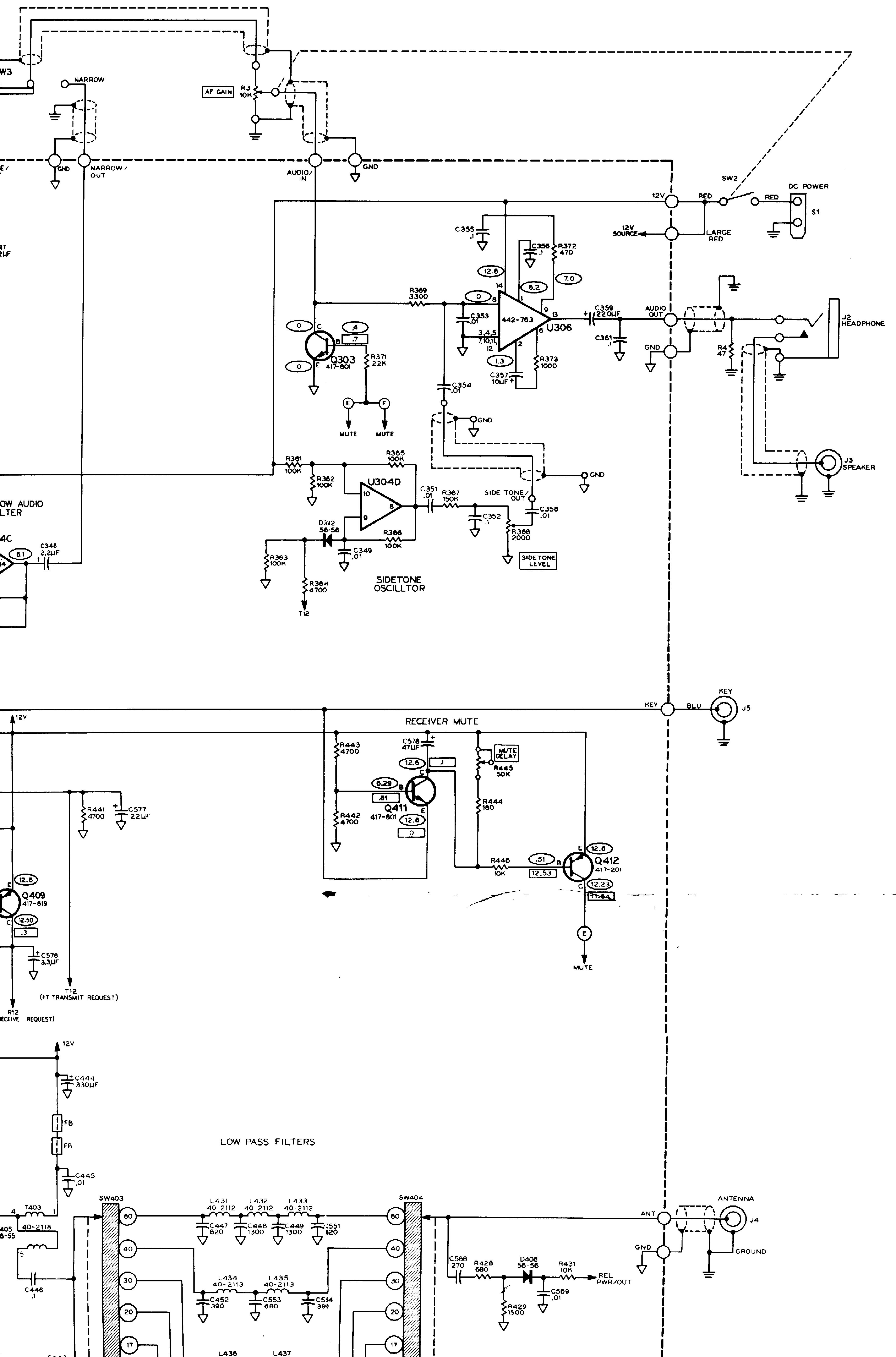


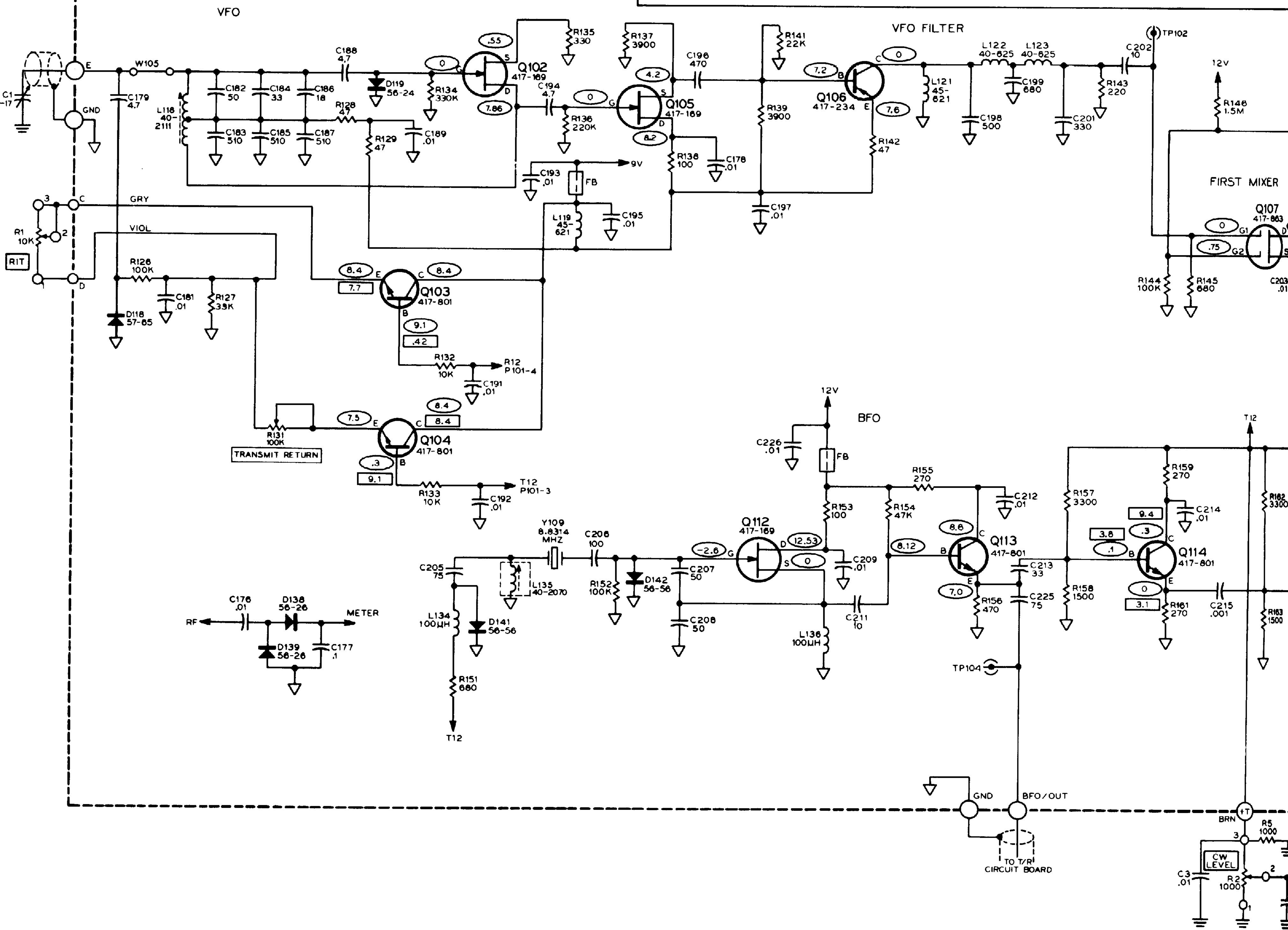
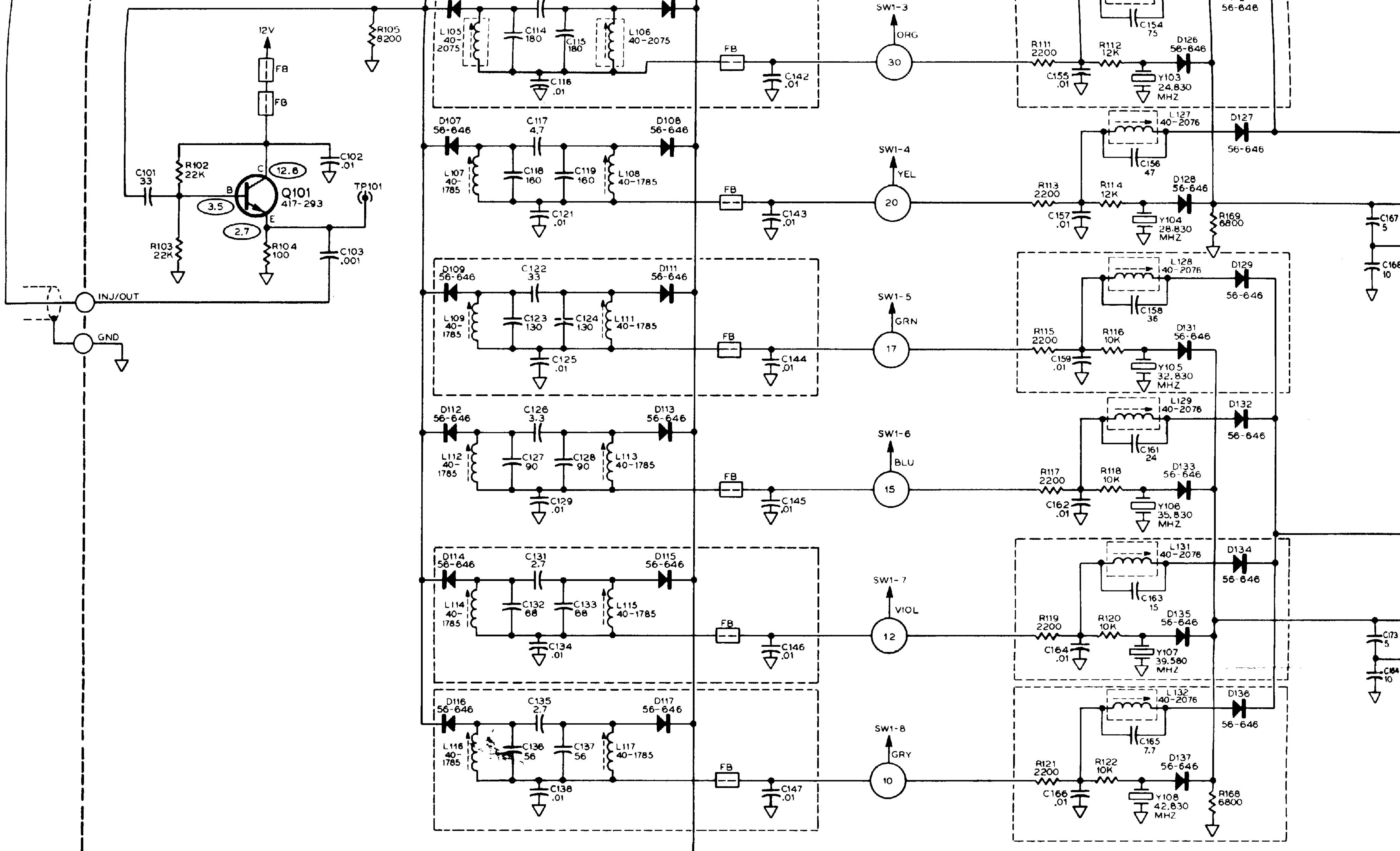


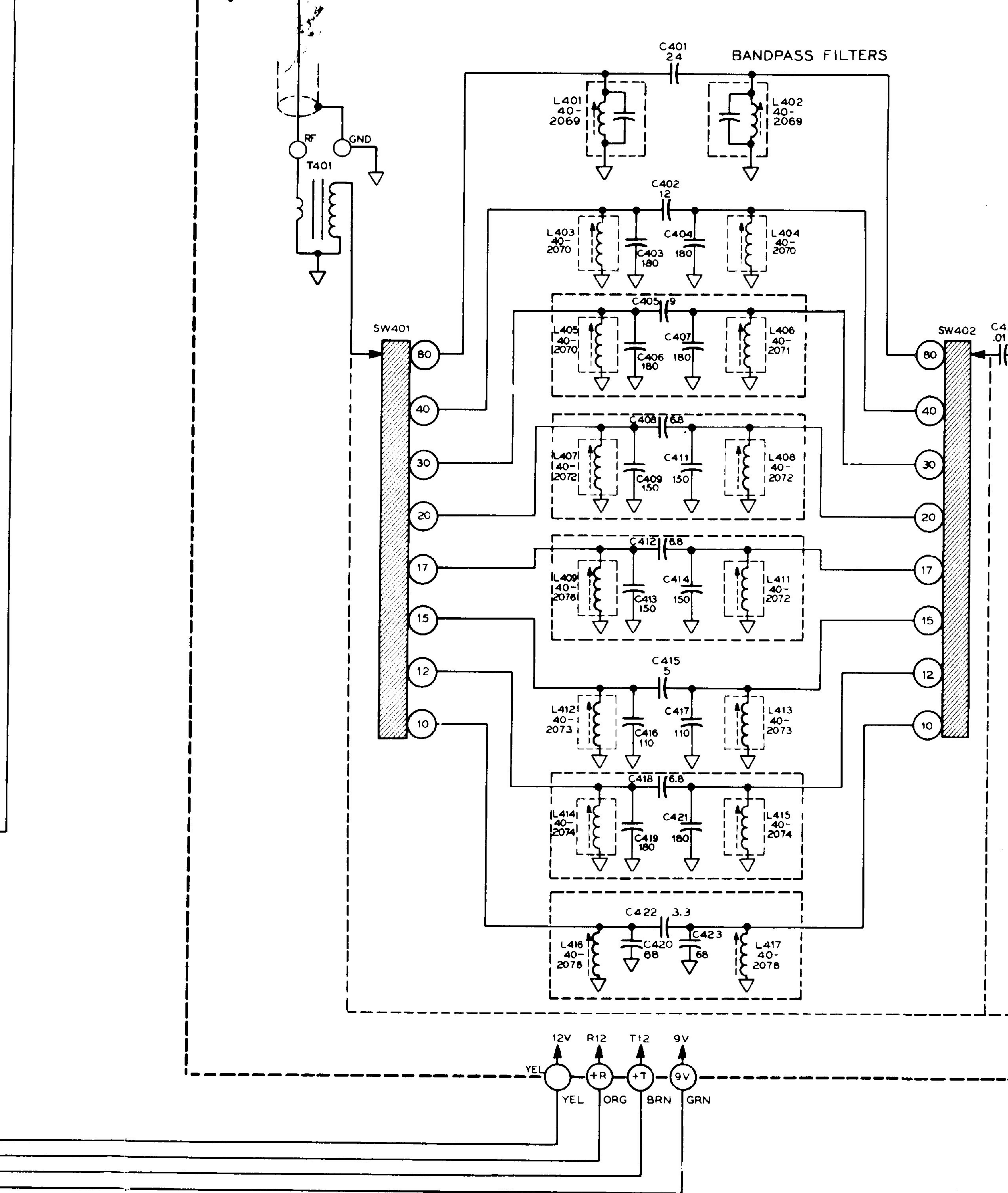
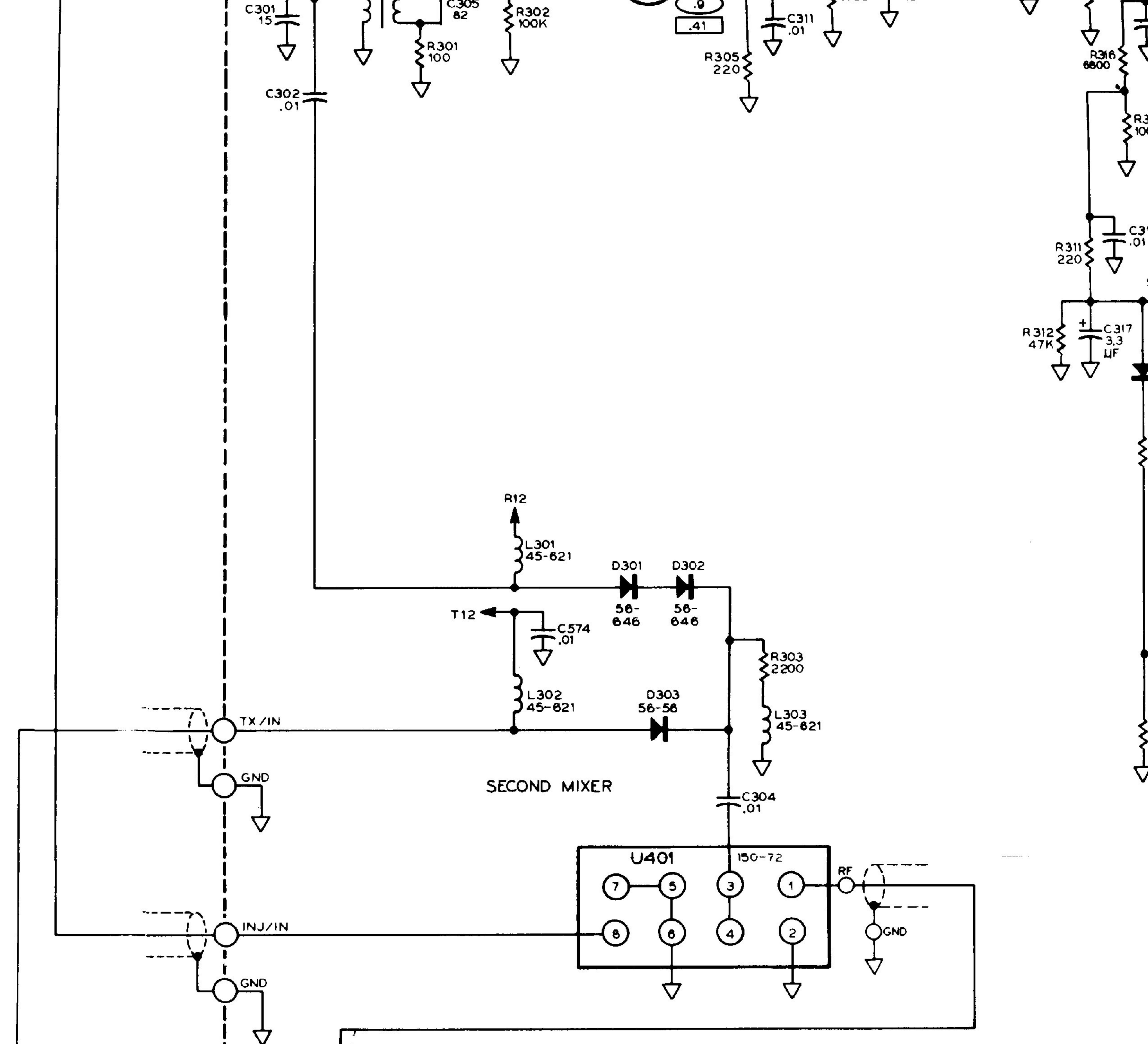
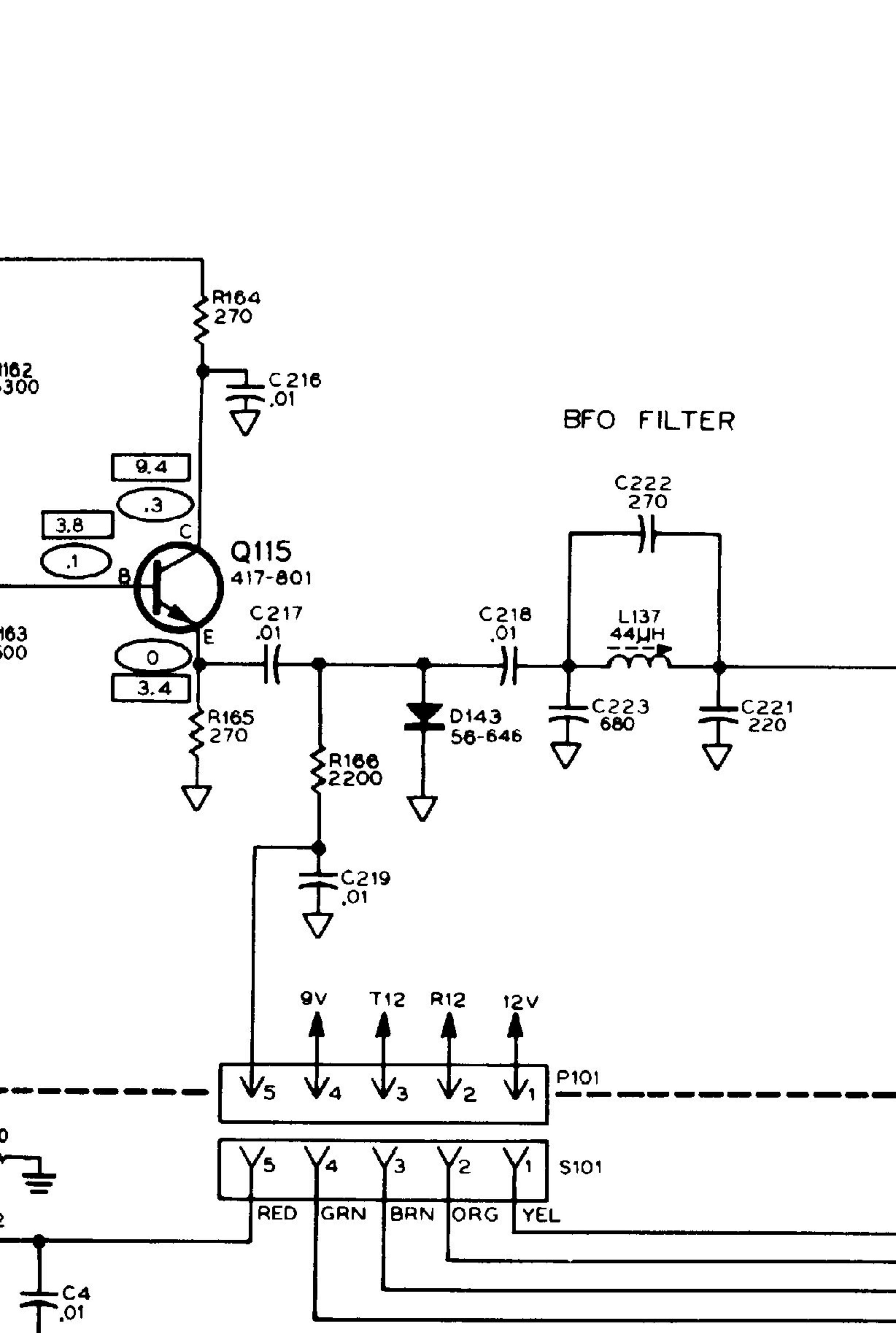
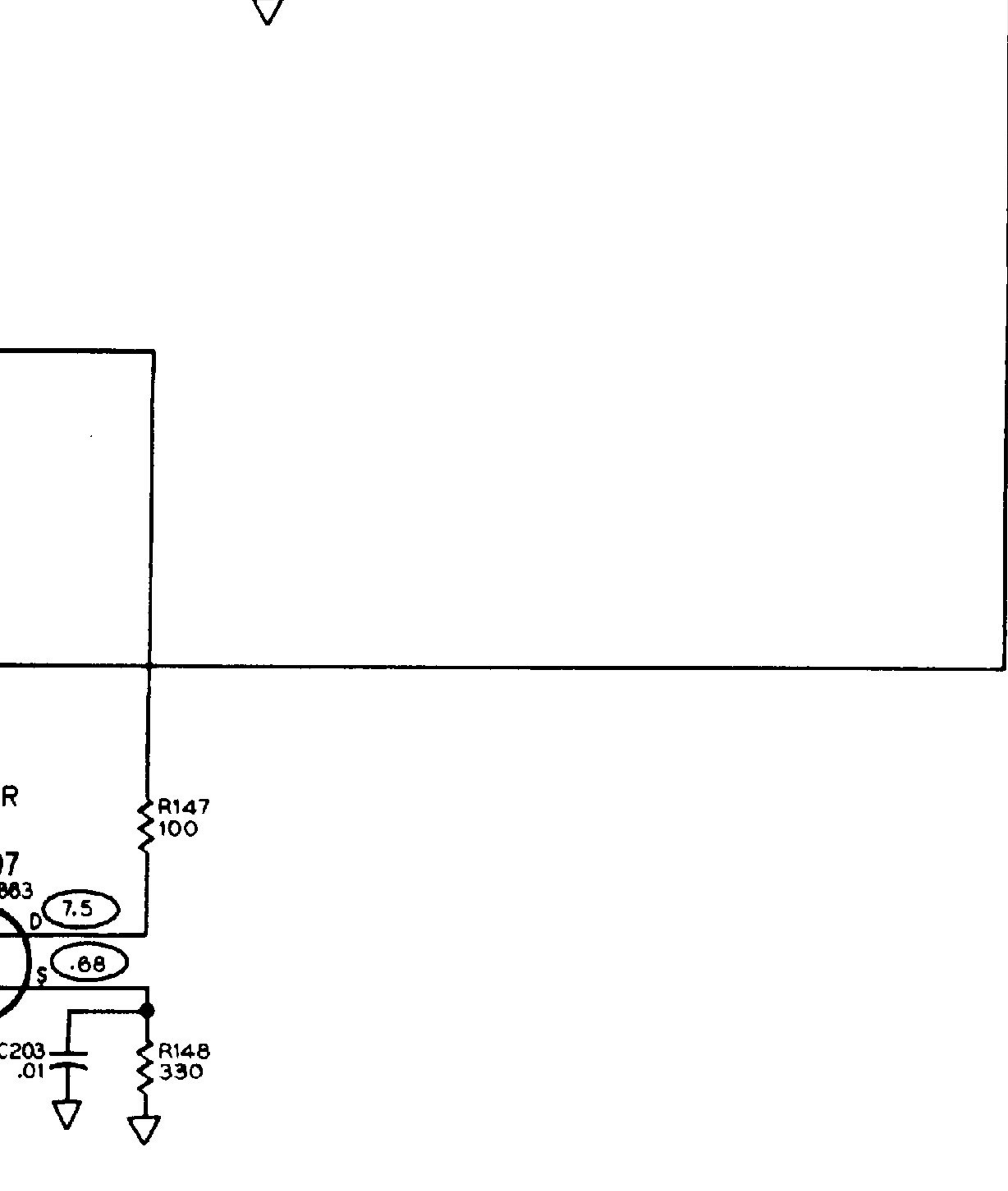
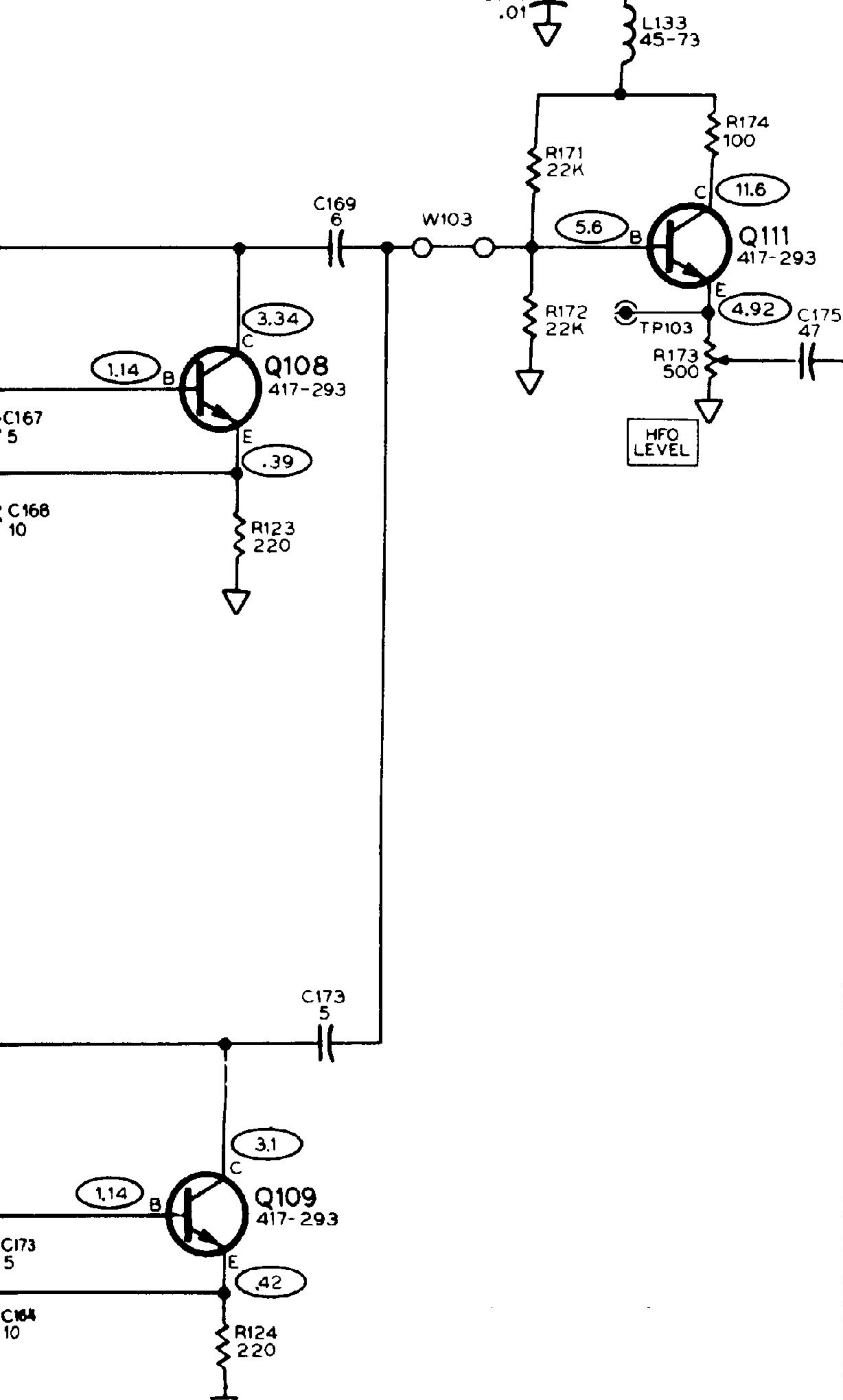
# T/R CIRCUIT BOARD

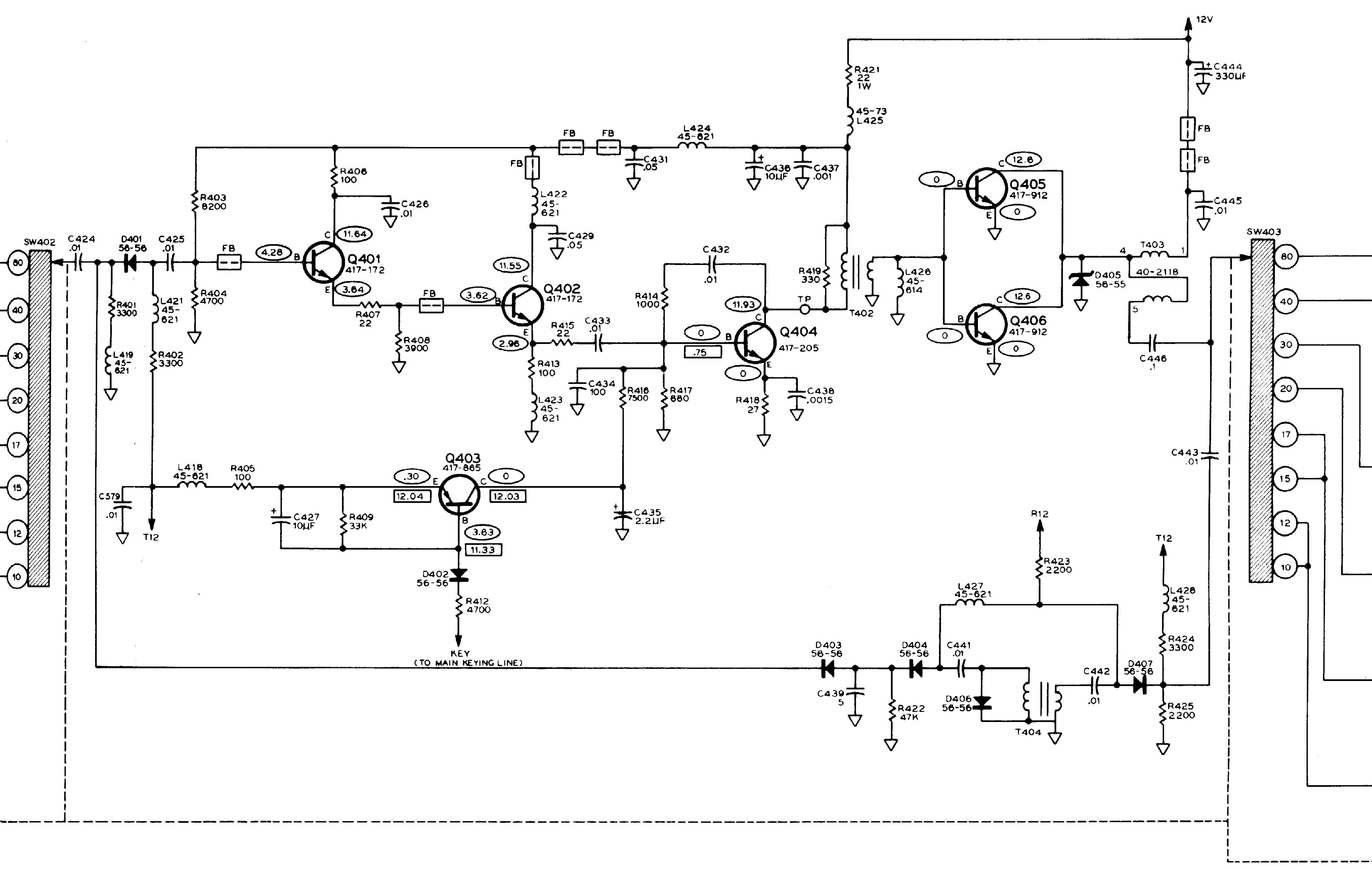
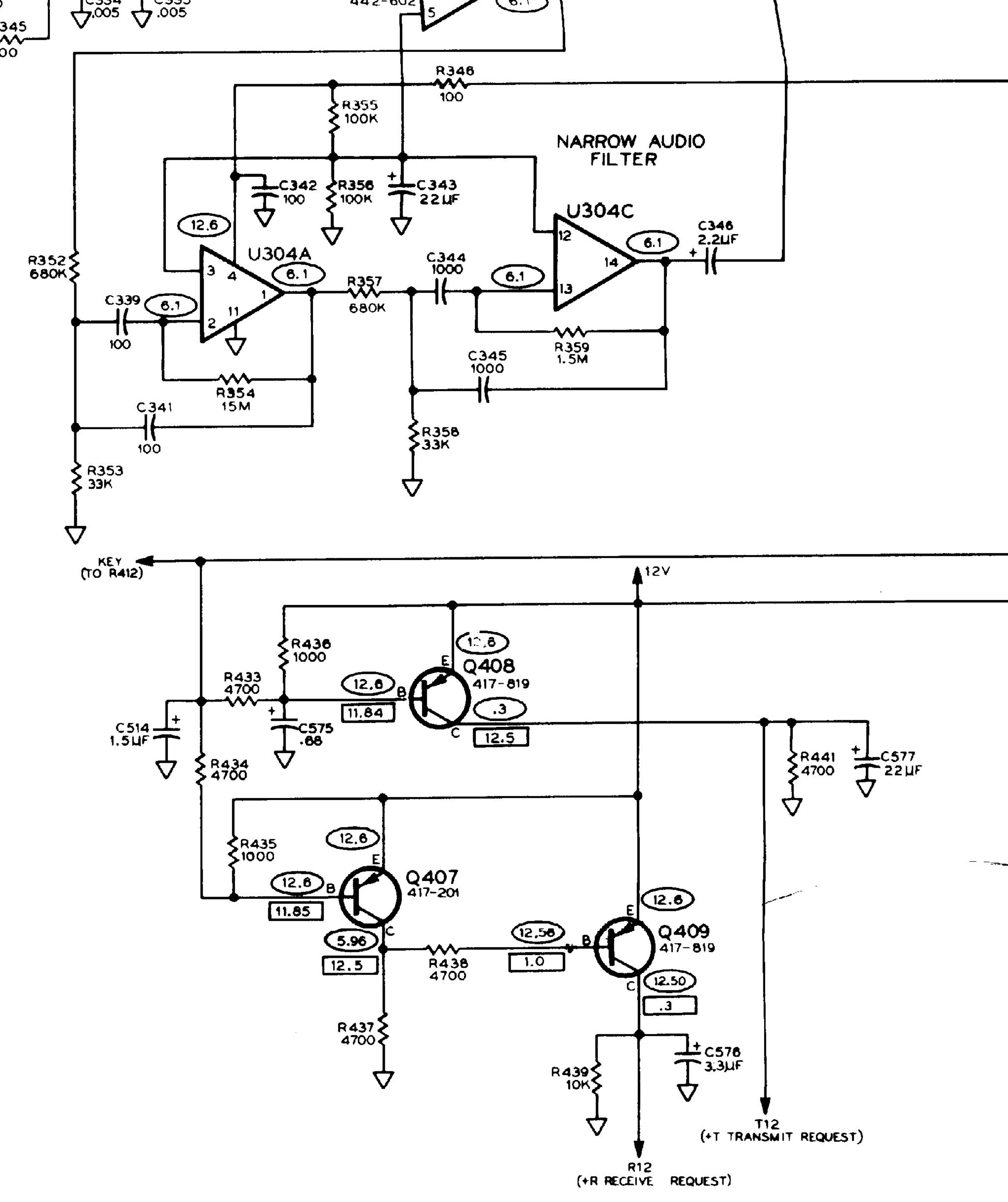
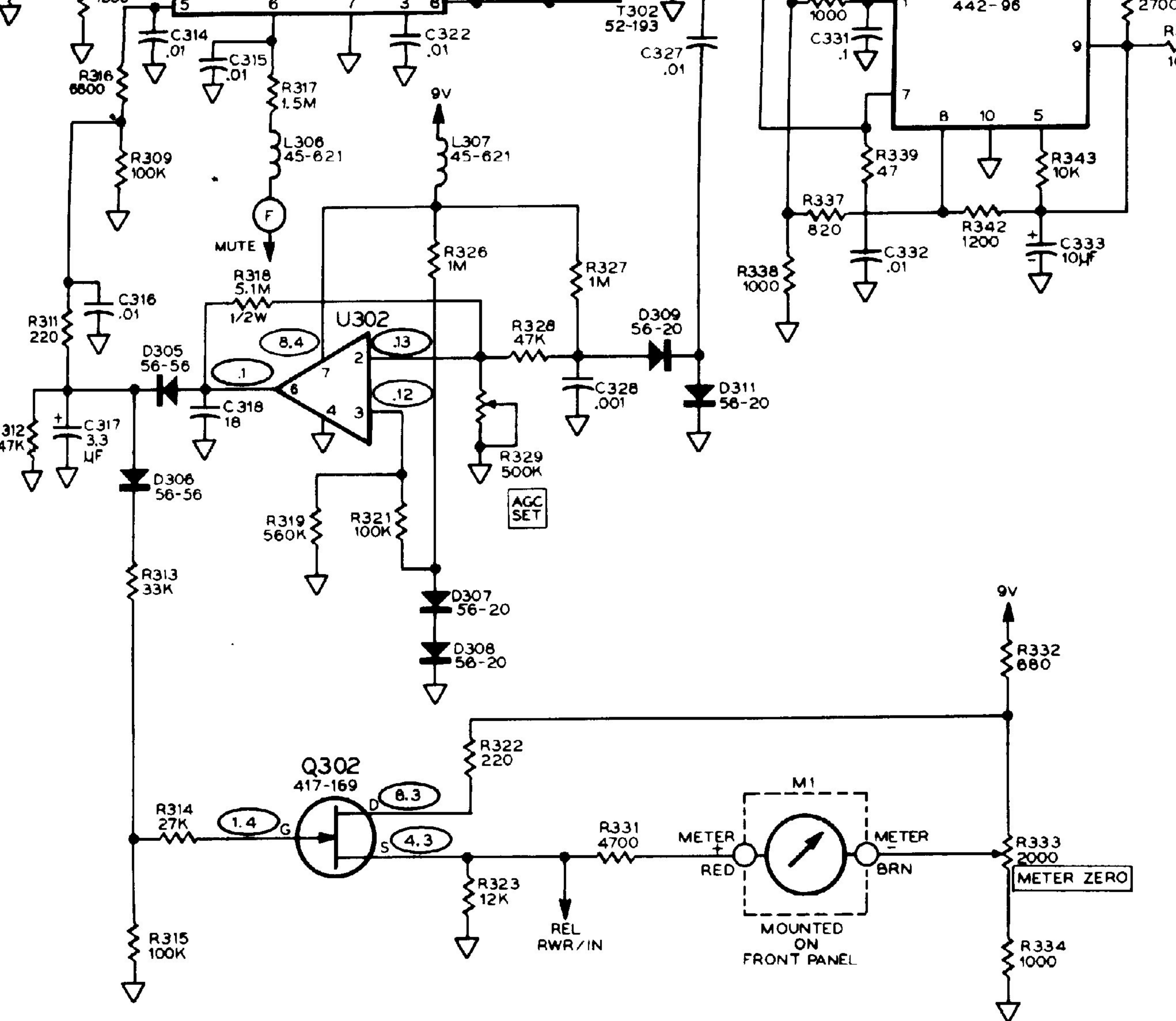


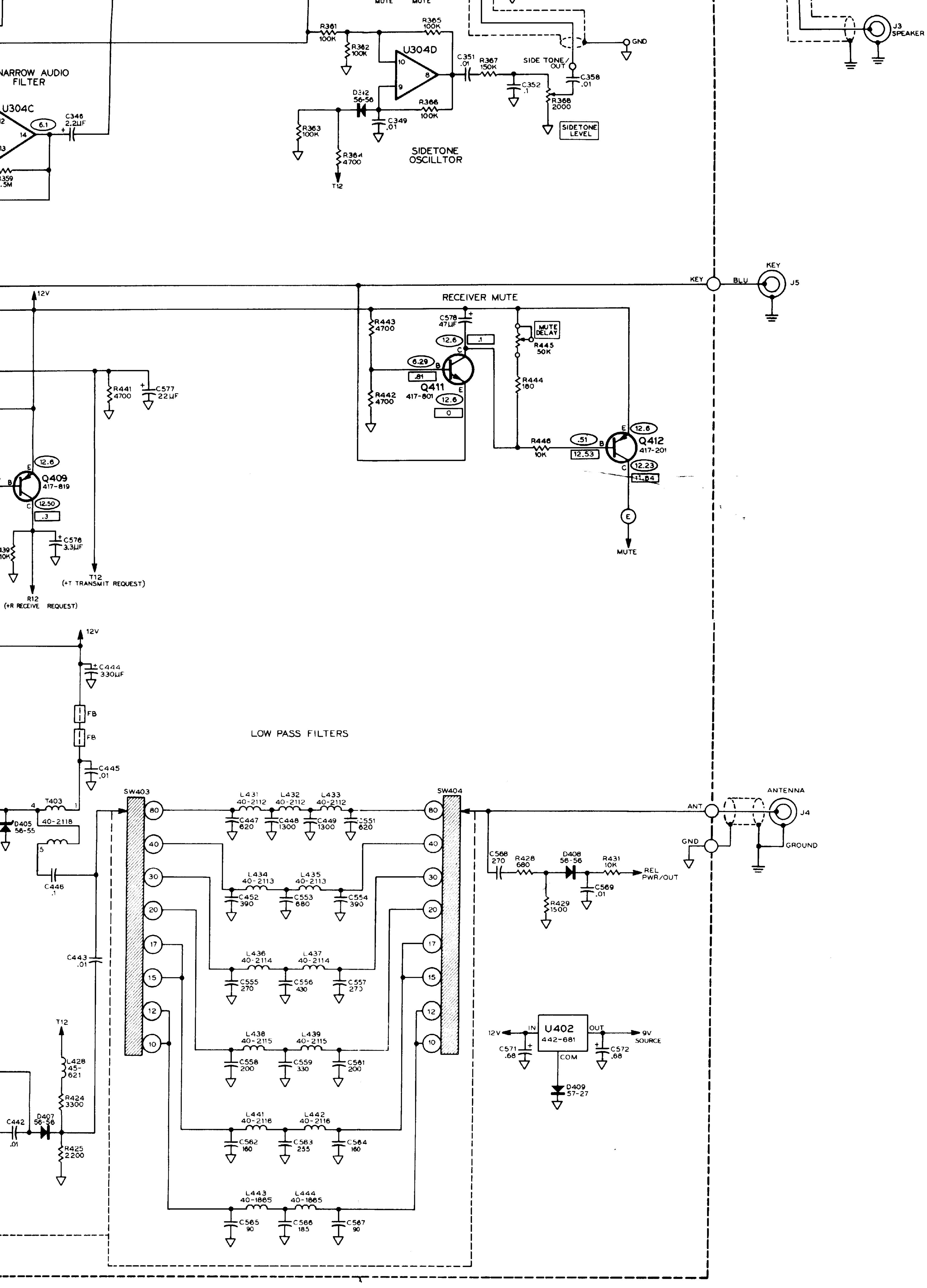




















# SCHEMATIC OF THE HEATHKIT® DELUXE QRP CW TRANSCEIVER MODEL HW-9

## NOTES:

1. COMPONENT NUMBERS ARE IN THE FOLLOWING GROUPS:  
  
1-99 PARTS MOUNTED ON THE CHASSIS.  
  
100-299 PARTS MOUNTED ON THE OSCILLATOR CIRCUIT BOARD.  
  
300-399 PARTS MOUNTED IN THE RECEIVER SECTION OF THE  
T/R CIRCUIT BOARD.  
  
400-499 PARTS MOUNTED IN THE TRANSMITTER SECTION OF THE  
T/R CIRCUIT BOARD.
2. ALL RESISTORS ARE RATED AT 1/4-WATT AND HAVE 5% TOLERANCE  
UNLESS OTHERWISE NOTED. RESISTOR VALUES ARE IN OHMS  
(k = 1000, M = 1,000,000).
3. CAPACITOR VALUES LESS THAN 1 ARE IN  $\mu\text{F}$  (MICROFARADS). ALL  
OTHER CAPACITOR VALUES ARE IN pF (PICOFARADS) UNLESS  
OTHERWISE NOTED.
4.  THIS SYMBOL INDICATES A POSITIVE DC VOLTAGE MEASURED  
WITH A HIGH IMPEDANCE VOLTMETER FROM THE POINT INDI-  
CATED TO CHASSIS GROUND (RECEIVE MODE, NO SIGNAL INPUT).
5.  THIS SYMBOL INDICATES A POSITIVE DC VOLTAGE MEASURED  
FROM THE POINT INDICATED TO CHASSIS GROUND (TRANSMIT  
MODE).
6.  THIS SYMBOL INDICATES CIRCUIT BOARD GROUND.
7.  THIS SYMBOL INDICATES CHASSIS GROUND.
8.  THIS SYMBOL INDICATES A SOLDERED CONNECTION TO A  
CIRCUIT BOARD.
9.  THIS SYMBOL INDICATES A PLUG AND SOCKET.
10. REFER TO THE "X-RAY VIEWS" FOR THE PHYSICAL LOCATION  
OF PARTS.

