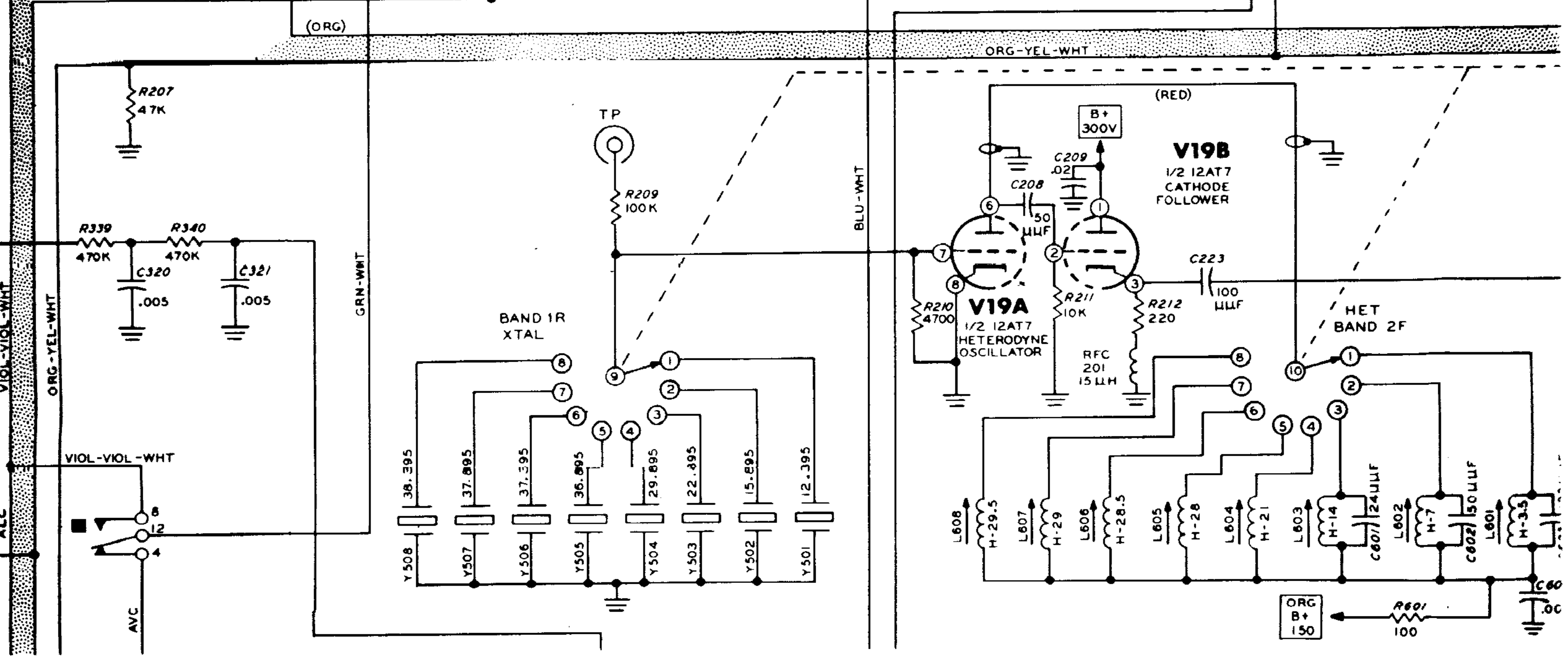
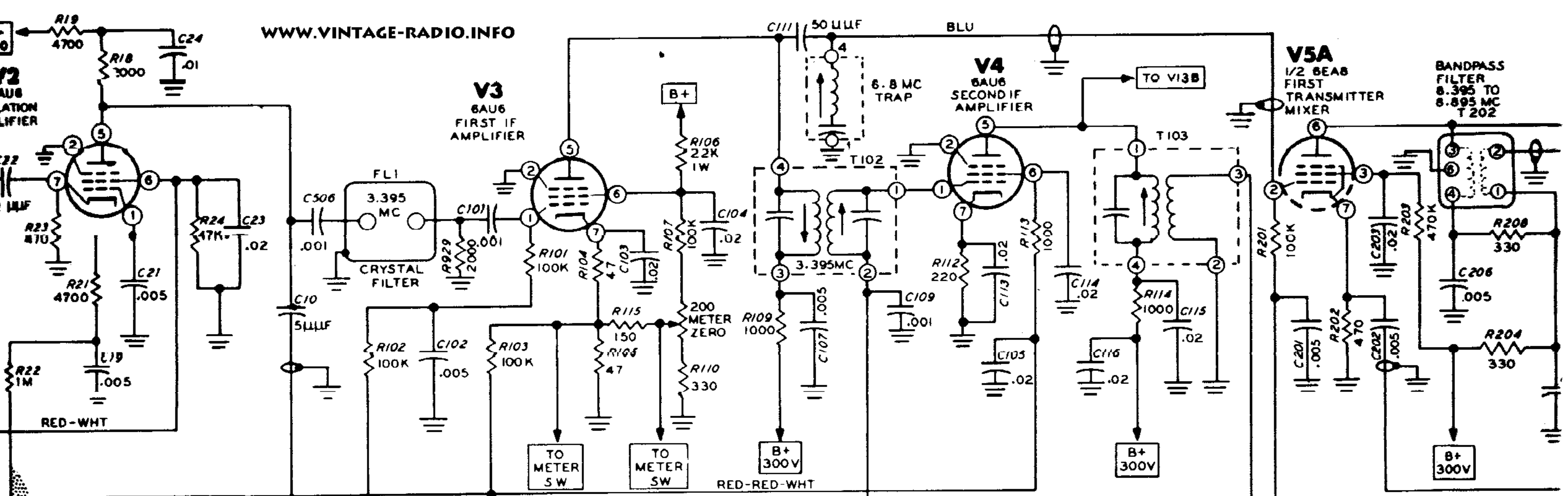
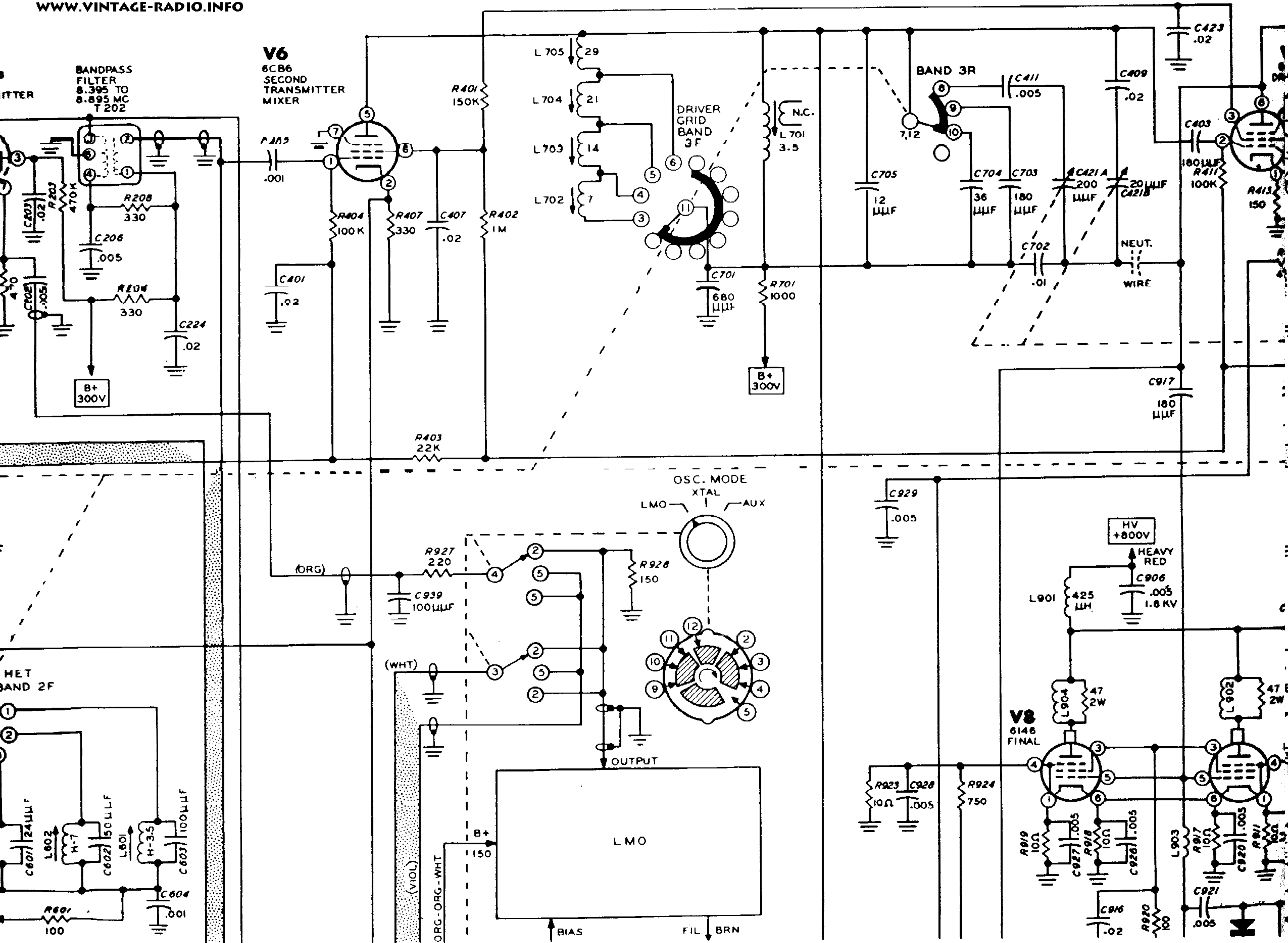
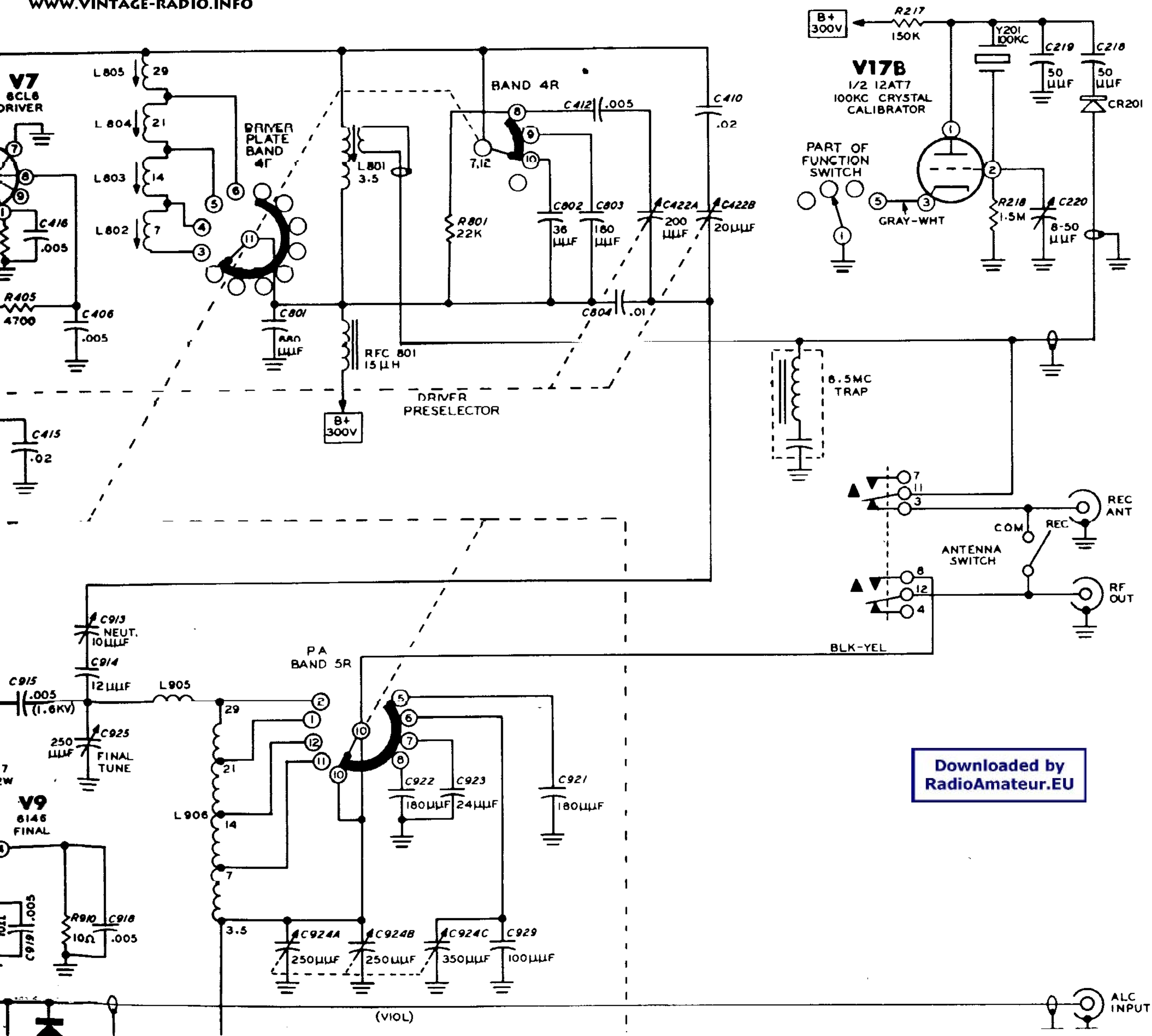
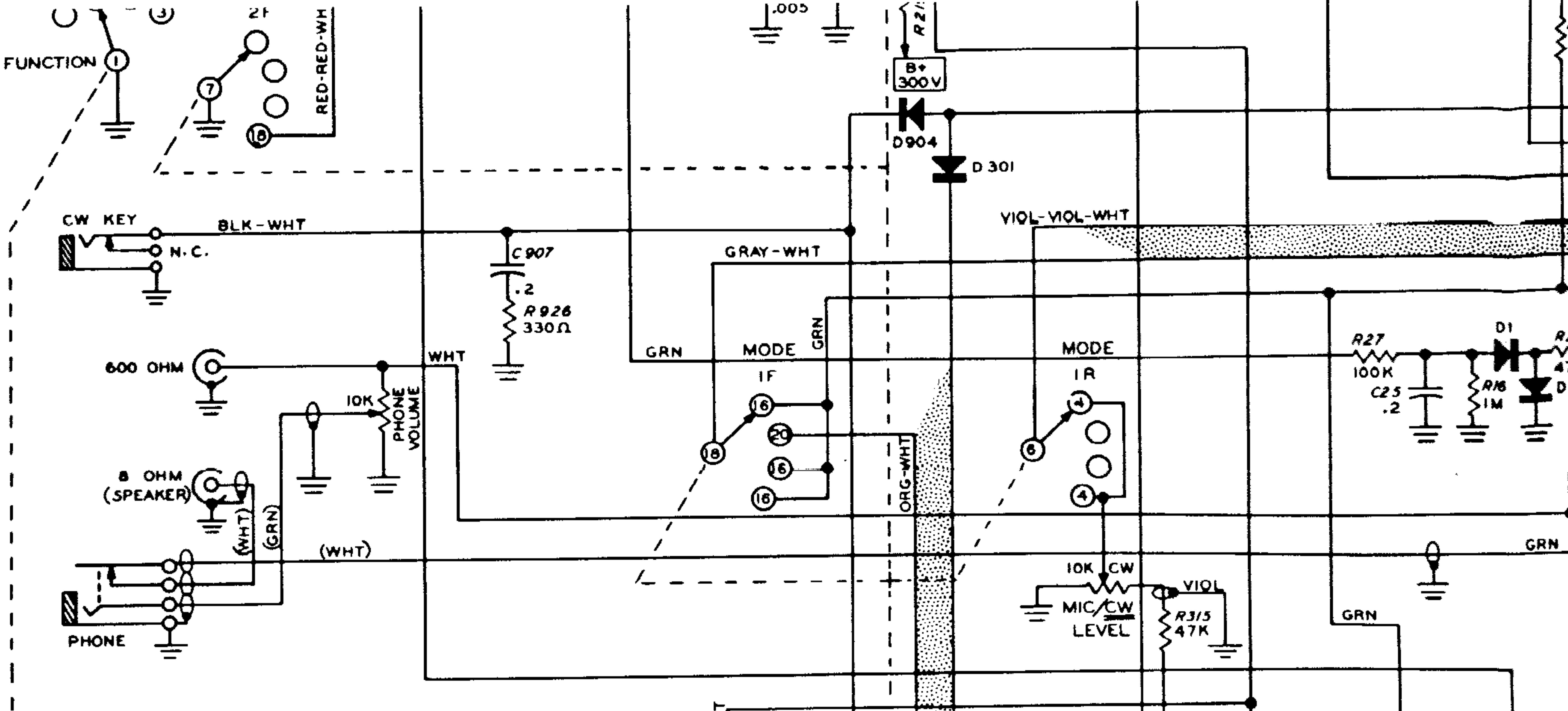


Downloaded by
RadioAmateur.EU

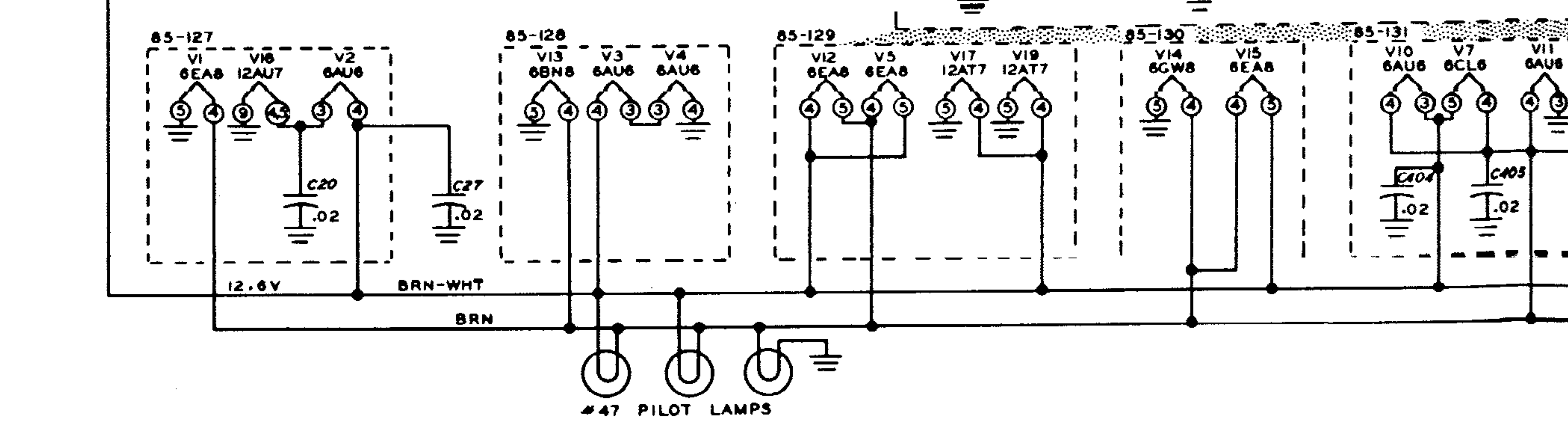
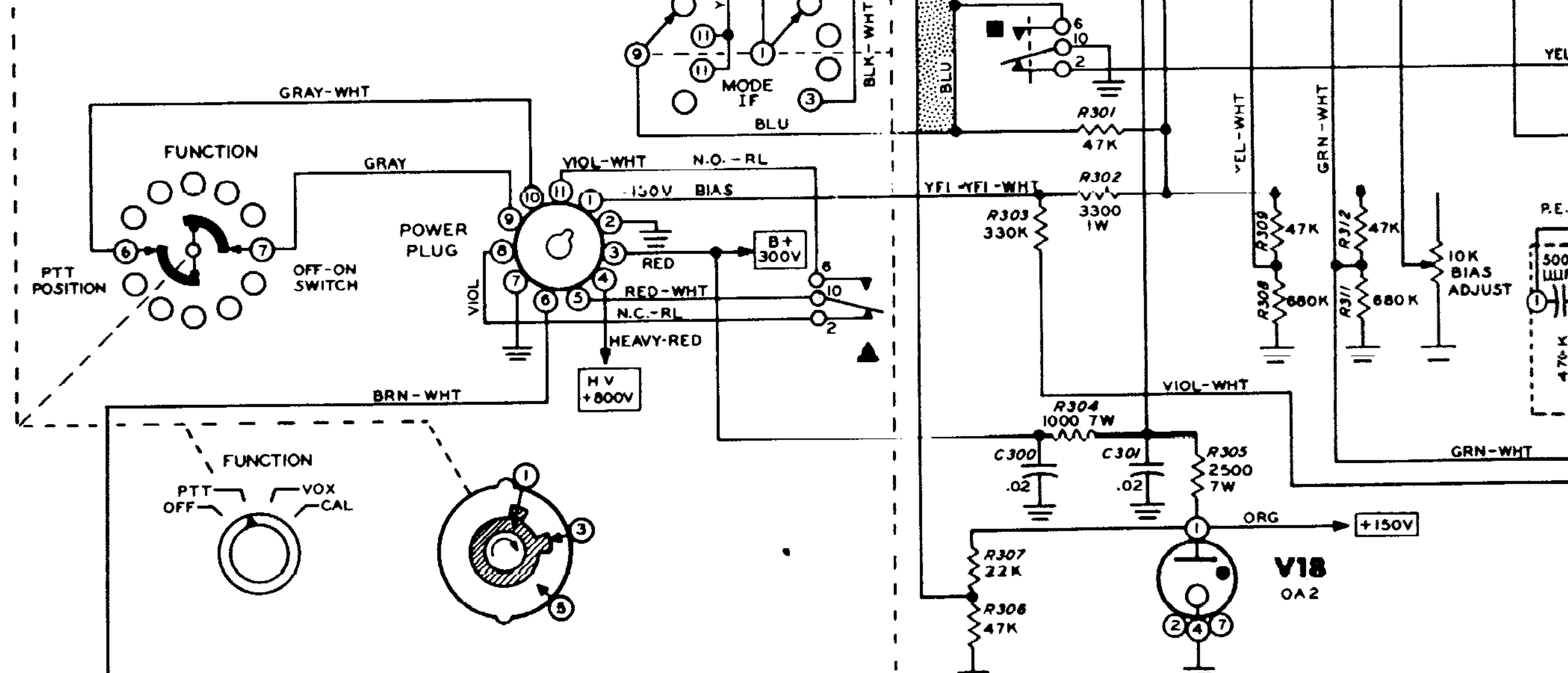


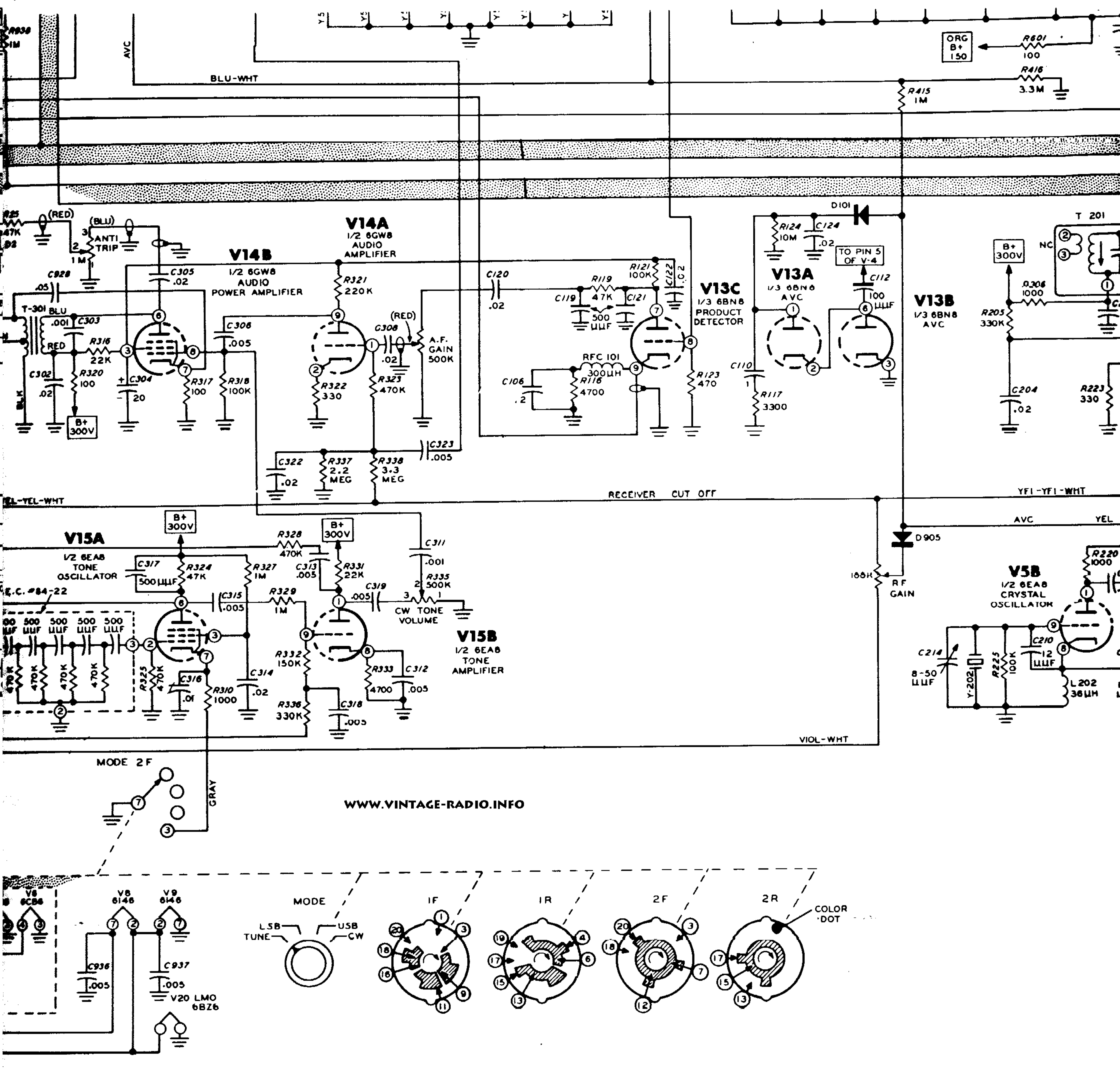






WWW.VINTAGE-RADIO.INFO





AVC

BLU-WHT

ORG
B+
150

R601
100

R416
3.3M

R415
1M

V14B

V14A
1/2 6GW8
AUDIO AMPLIFIER

V13C
1/3 6BN8
PRODUCT DETECTOR

V13A
1/3 6BN8
AVC

V13B
1/3 6BN8
AVC

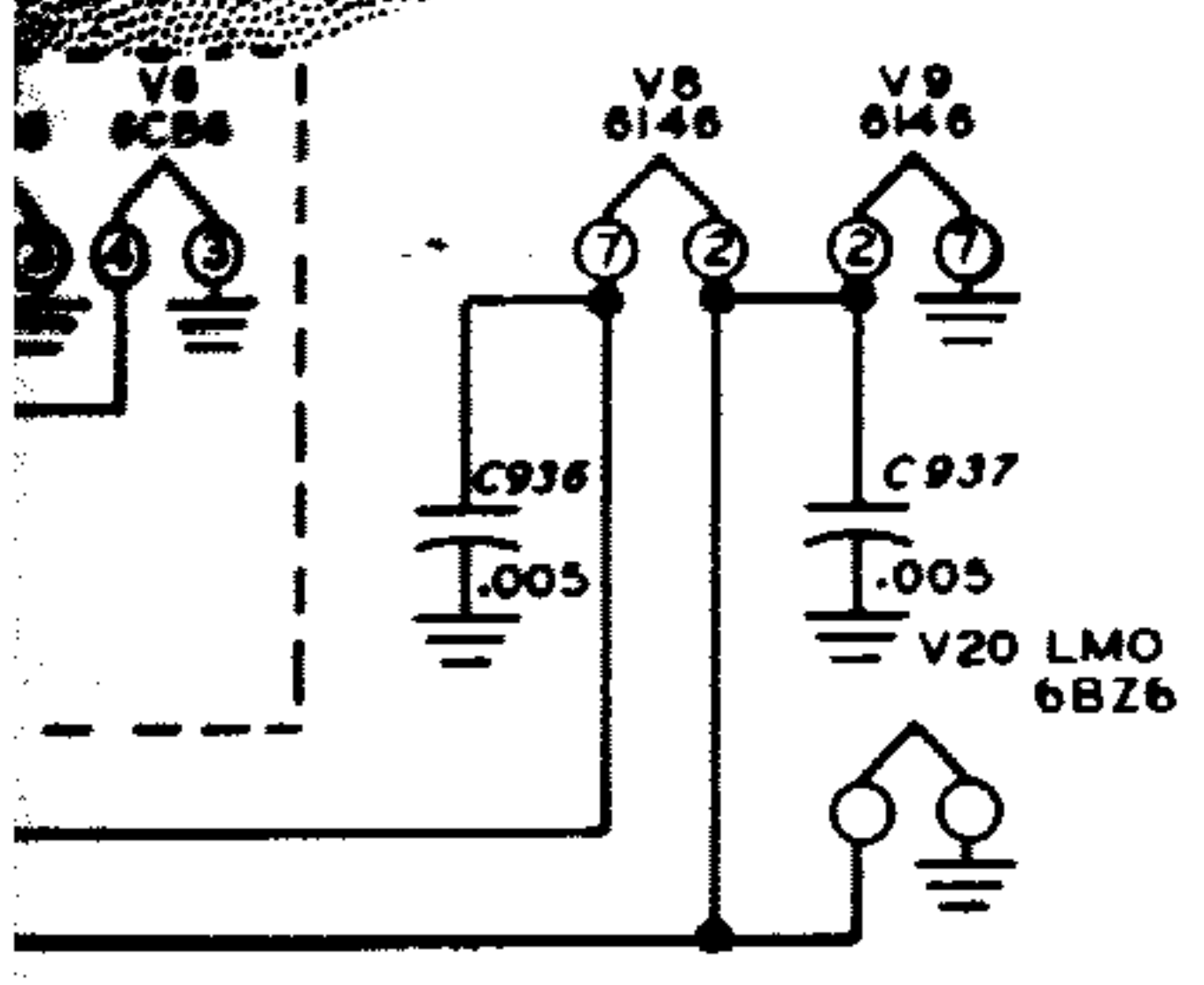
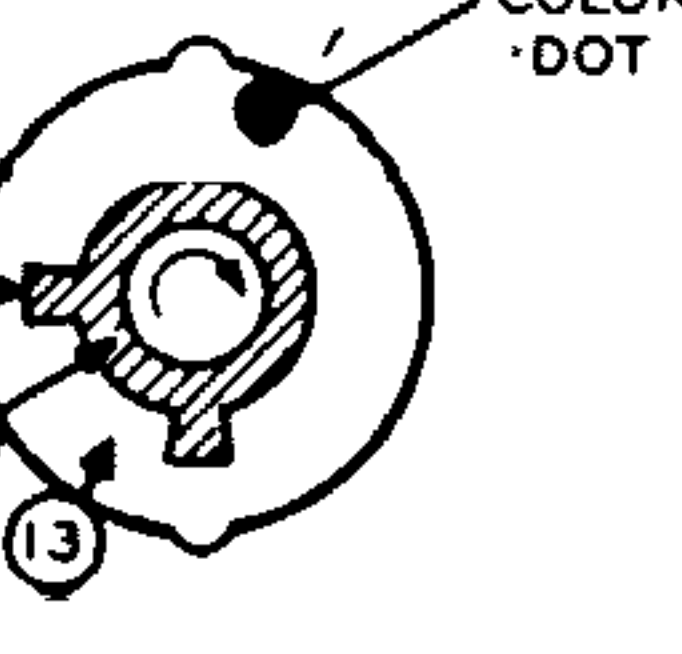
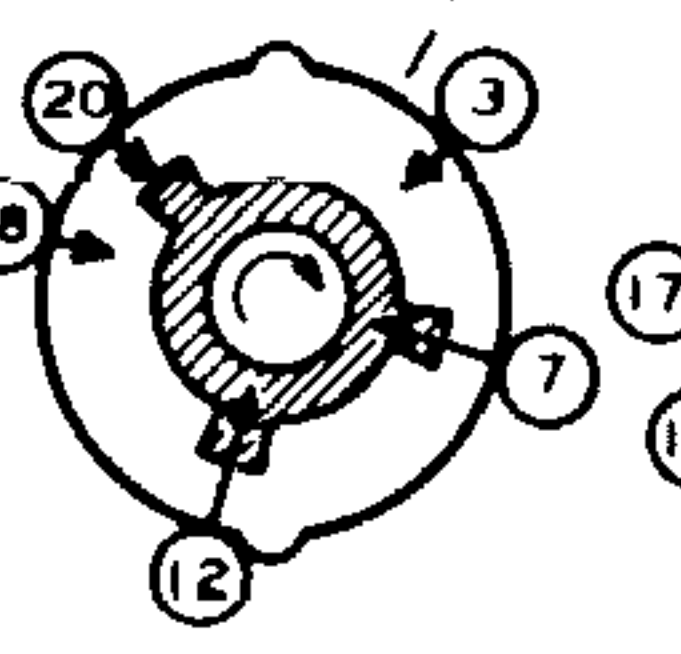
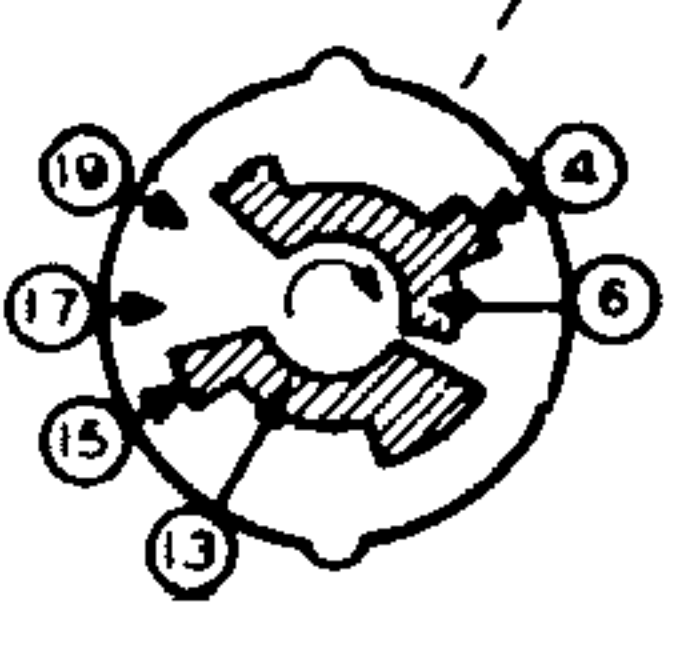
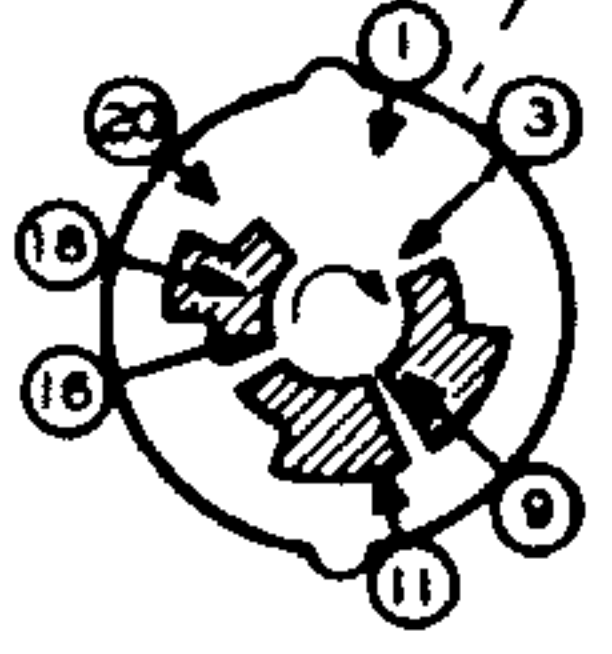
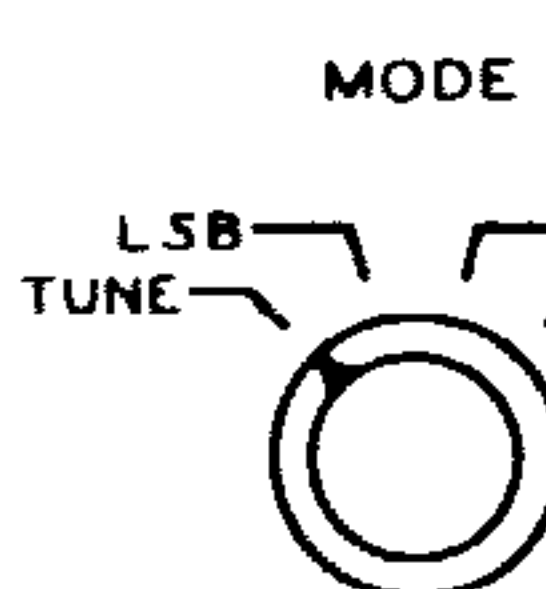
V15A

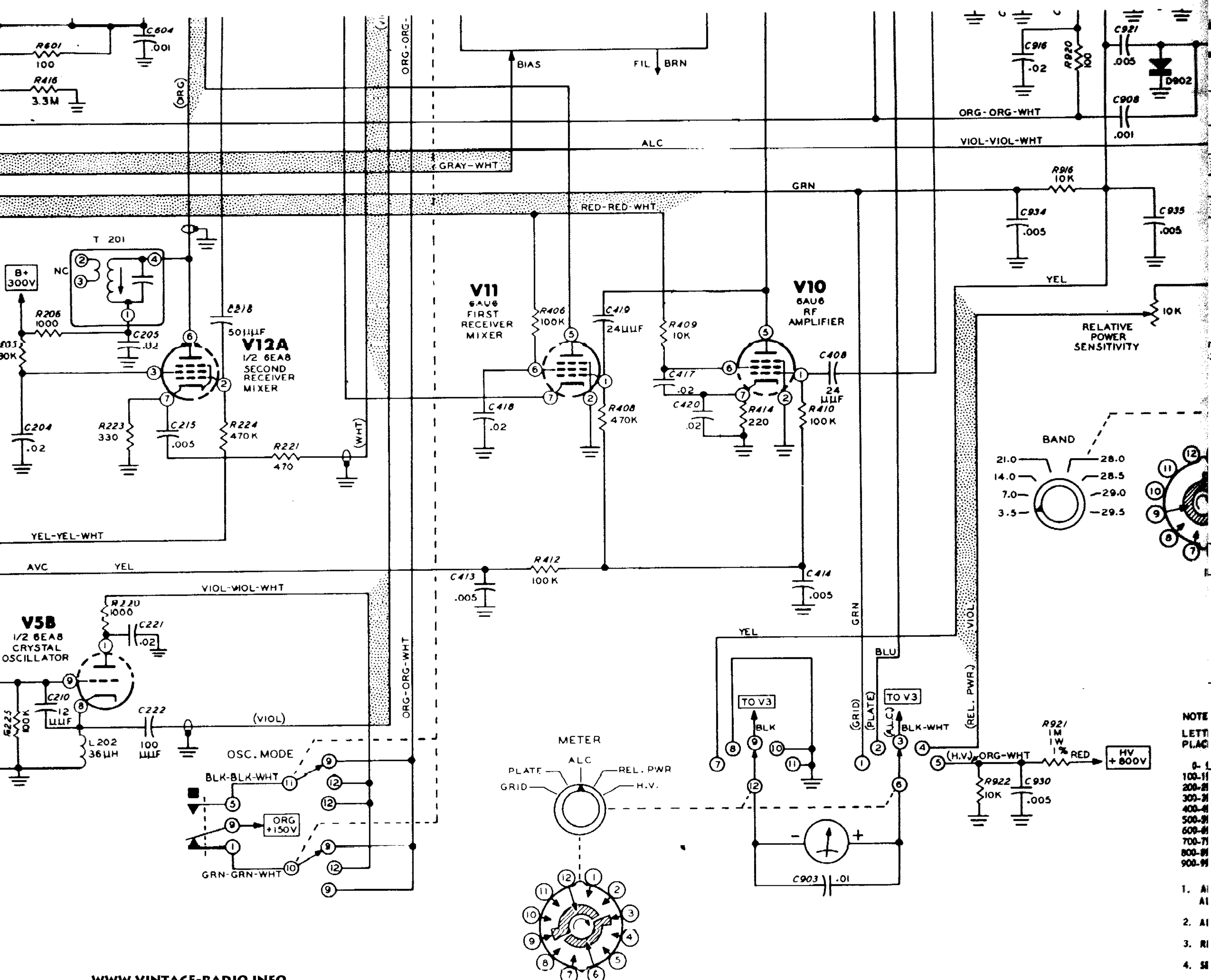
V15B
1/2 6EA8
TONE AMPLIFIER

V5B
1/2 6EA8
CRYSTAL OSCILLATOR

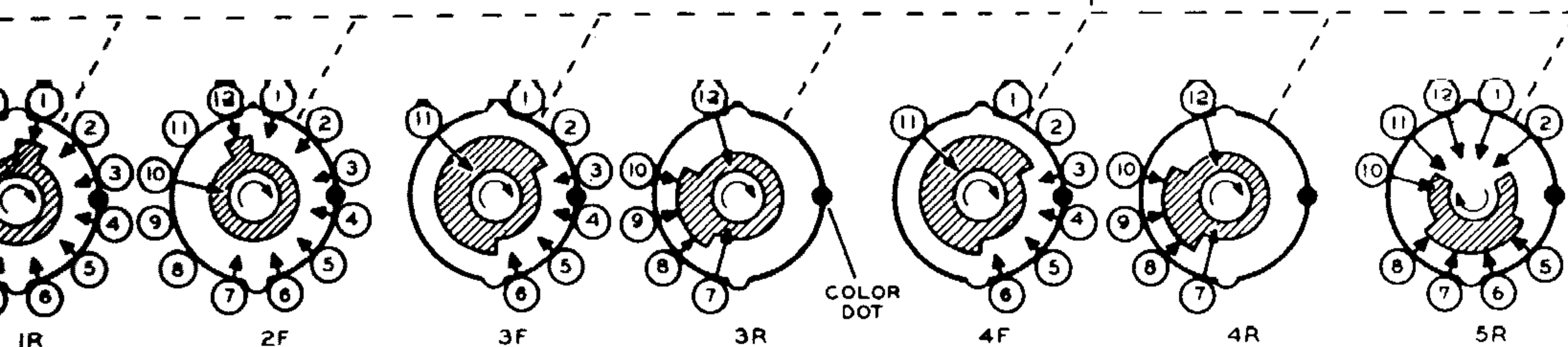
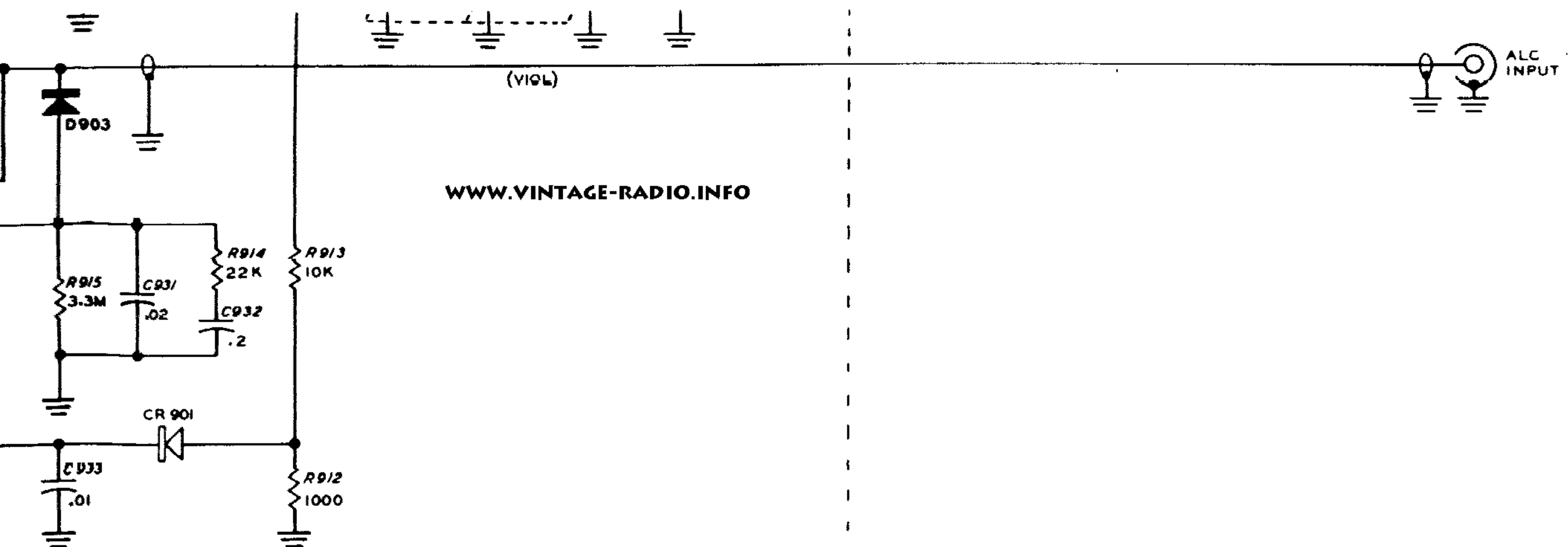
VIOL-WHT

WWW.VINTAGE-RADIO.INFO





NOTE
 LETT
 PLAC
 0-1
 100-11
 200-21
 300-31
 400-41
 500-51
 600-61
 700-71
 800-81
 900-91
 1. AI
 AI
 2. AI
 3. RI
 4. SH
 5. AI
 6. AI
 7. [
 8. (
 9. A



SCHEMATIC OF THE HEATHKIT® SSB TRANSCEIVER MODEL SB-100

NOTE:

LETTER-NUMBER DESIGNATIONS FOR RESISTORS, CAPACITORS, ETC., HAVE BEEN PLACED IN THE FOLLOWING GROUPS:

0-99	PARTS ON MODULATOR CIRCUIT BOARD,
-199	IF
-299	BANDPASS
-399	AUDIO
-499	RF-DRIVER
-599	CRYSTAL
-699	HETERODYNE OSCILLATOR
-799	DRIVER GRID
-899	DRIVER PLATE
-999	PARTS MOUNTED ON THE CHASSIS.

ALL RESISTORS ARE 1/2 WATT UNLESS MARKED OTHERWISE.
ALL RESISTOR VALUES ARE IN OHMS (K = 1000, MEG = 1,000,000).

ALL CAPACITOR VALUES ARE IN μF UNLESS MARKED OTHERWISE.

REFER TO THE X-RAY AND CHASSIS VIEWS FOR PHYSICAL LOCATION OF PARTS.

SEE VOLTAGE AND RESISTANCE CHARTS (PAGES 00-00) FOR ALL MEASUREMENTS.

ALL SWITCHES ARE IN THE POSITION INDICATED BY THE KNOB POINTERS.

ARROW (↻) INDICATES CLOCKWISE ROTATION OF KNOB (VIEWED FROM KNOB END).

□ INDICATES HOOKUP WIRE NOT IN THE HARNESS.

() INDICATES COLOR CODE OF COAXIAL CABLE.

ALL RELAY CONTACTS SHOWN IN RECEIVE POSITION.

10. DIODE SYMBOLS ARE AS FOLLOWS: FOR GERMANIUM DIODES.
 FOR SILICON DIODES.

11. FOR GREATER CLARITY, RELAY SECTIONS ARE SHOWN CLOSEST TO THE CIRCUITS IN WHICH THEY ARE USED. ONE OF THE FOLLOWING MARKS IS USED TO IDENTIFY THE SEPARATED SECTIONS OF THE RELAYS:

▲ = PART OF RELAY RL1
■ = PART OF RELAY RL2

12. SWITCH WAFERS ARE IDENTIFIED AS IN THE FOLLOWING EXAMPLE:

