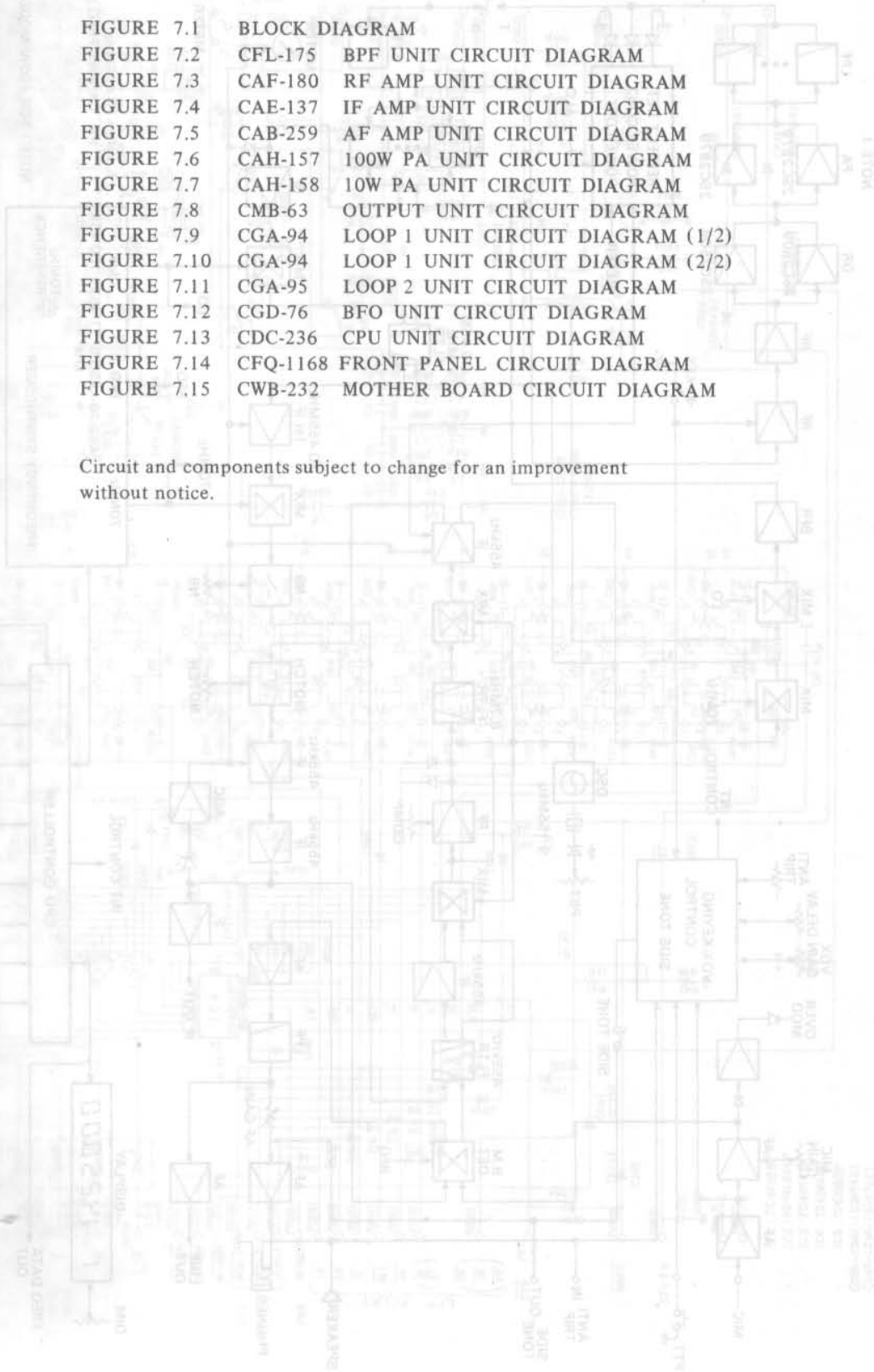


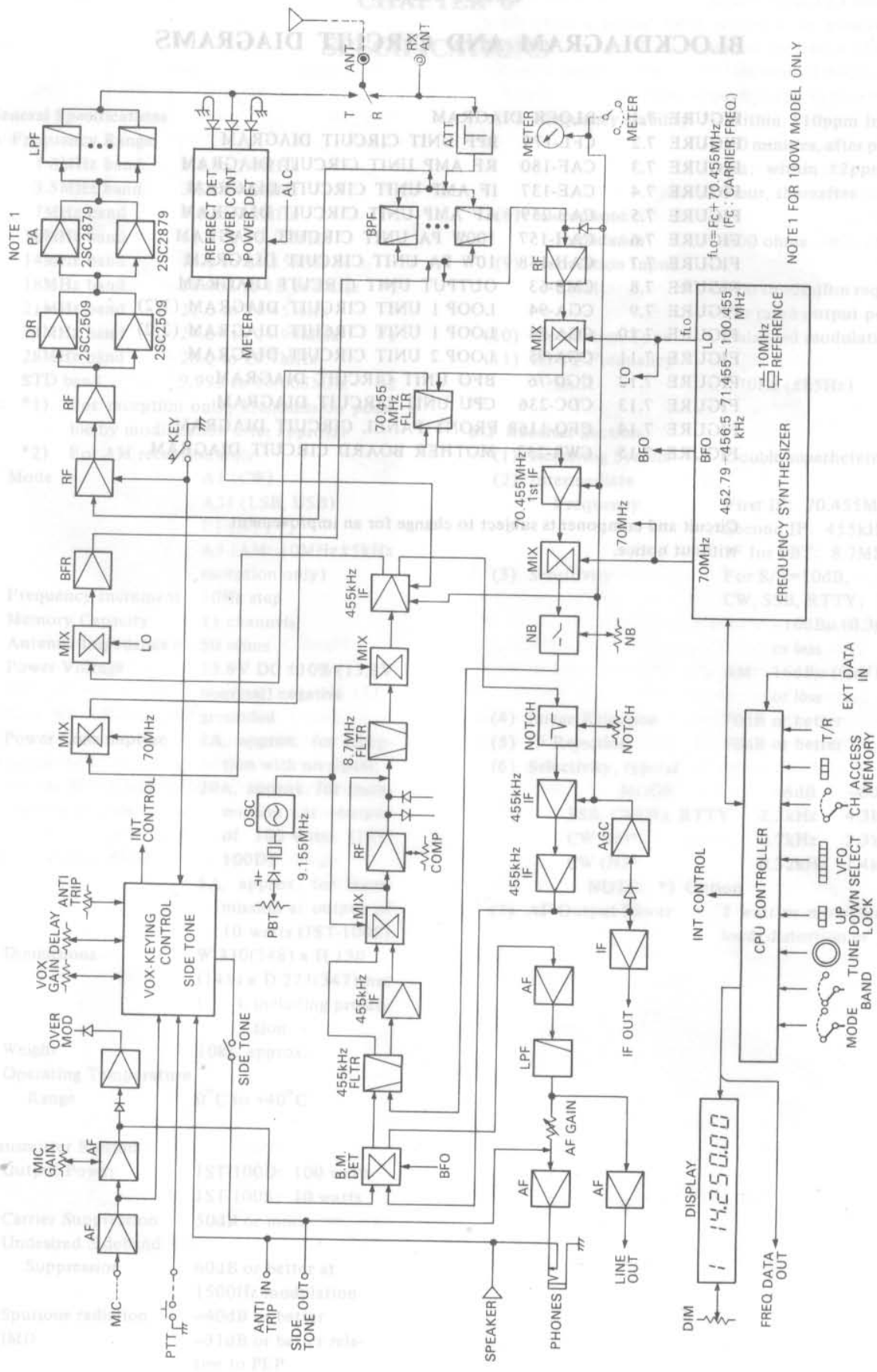
CHAPTER 7

BLOCKDIAGRAM AND CIRCUIT DIAGRAMS

- FIGURE 7.1 BLOCK DIAGRAM
- FIGURE 7.2 CFL-175 BPF UNIT CIRCUIT DIAGRAM
- FIGURE 7.3 CAF-180 RF AMP UNIT CIRCUIT DIAGRAM
- FIGURE 7.4 CAE-137 IF AMP UNIT CIRCUIT DIAGRAM
- FIGURE 7.5 CAB-259 AF AMP UNIT CIRCUIT DIAGRAM
- FIGURE 7.6 CAH-157 100W PA UNIT CIRCUIT DIAGRAM
- FIGURE 7.7 CAH-158 10W PA UNIT CIRCUIT DIAGRAM
- FIGURE 7.8 CMB-63 OUTPUT UNIT CIRCUIT DIAGRAM
- FIGURE 7.9 CGA-94 LOOP 1 UNIT CIRCUIT DIAGRAM (1/2)
- FIGURE 7.10 CGA-94 LOOP 1 UNIT CIRCUIT DIAGRAM (2/2)
- FIGURE 7.11 CGA-95 LOOP 2 UNIT CIRCUIT DIAGRAM
- FIGURE 7.12 CGD-76 BFO UNIT CIRCUIT DIAGRAM
- FIGURE 7.13 CDC-236 CPU UNIT CIRCUIT DIAGRAM
- FIGURE 7.14 CFQ-1168 FRONT PANEL CIRCUIT DIAGRAM
- FIGURE 7.15 CWB-232 MOTHER BOARD CIRCUIT DIAGRAM

Circuit and components subject to change for an improvement without notice.





NOTE 1

NOTE 1 FOR 100W MODEL ONLY

FIGURE 7.1 BLOCK DIAGRAM

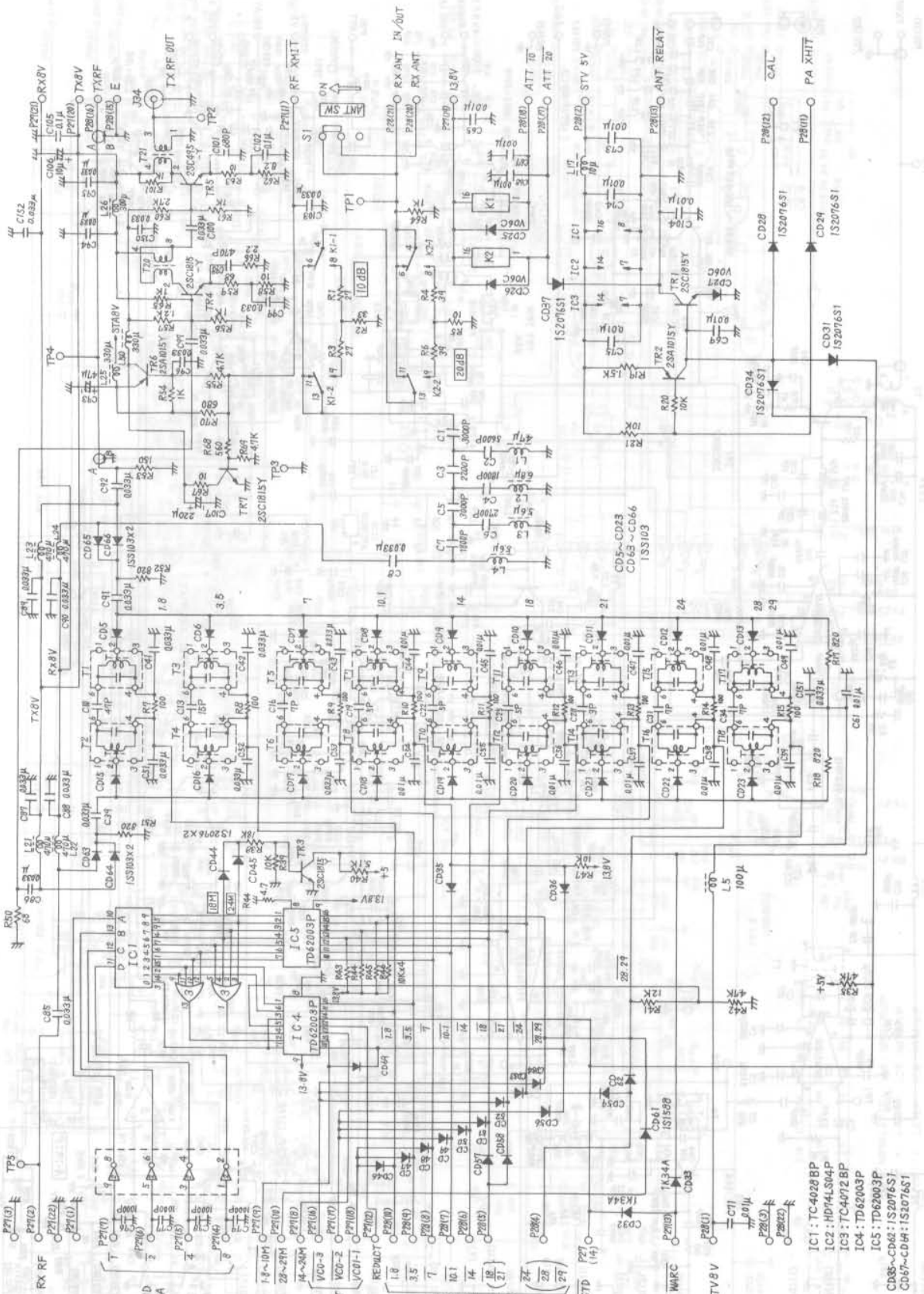


FIGURE 7.2 CFL-175 BPF UNIT CIRCUIT DIAGRAM

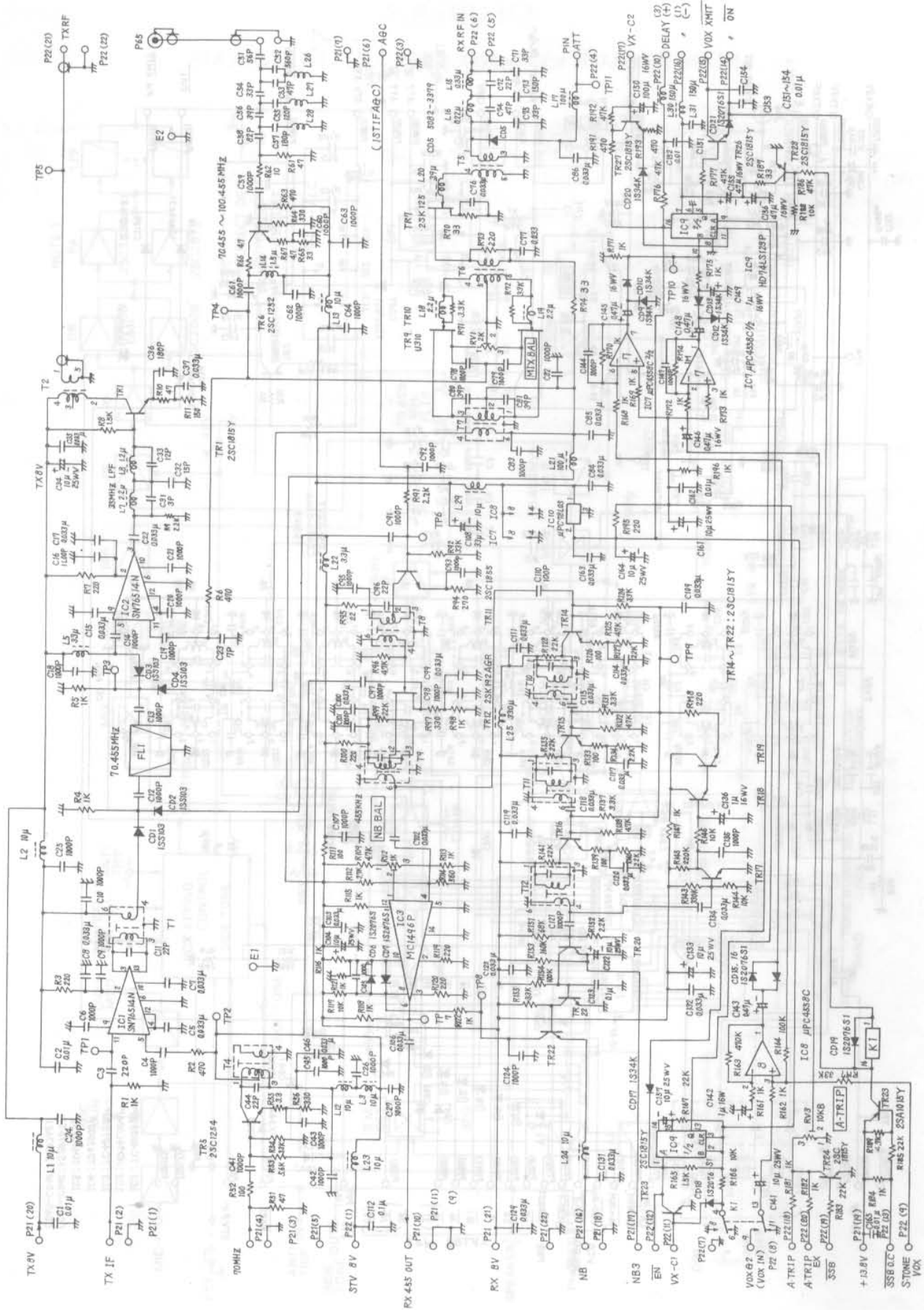


FIGURE 7.3 CAF-180 RF AMP UNIT CIRCUIT DIAGRAM

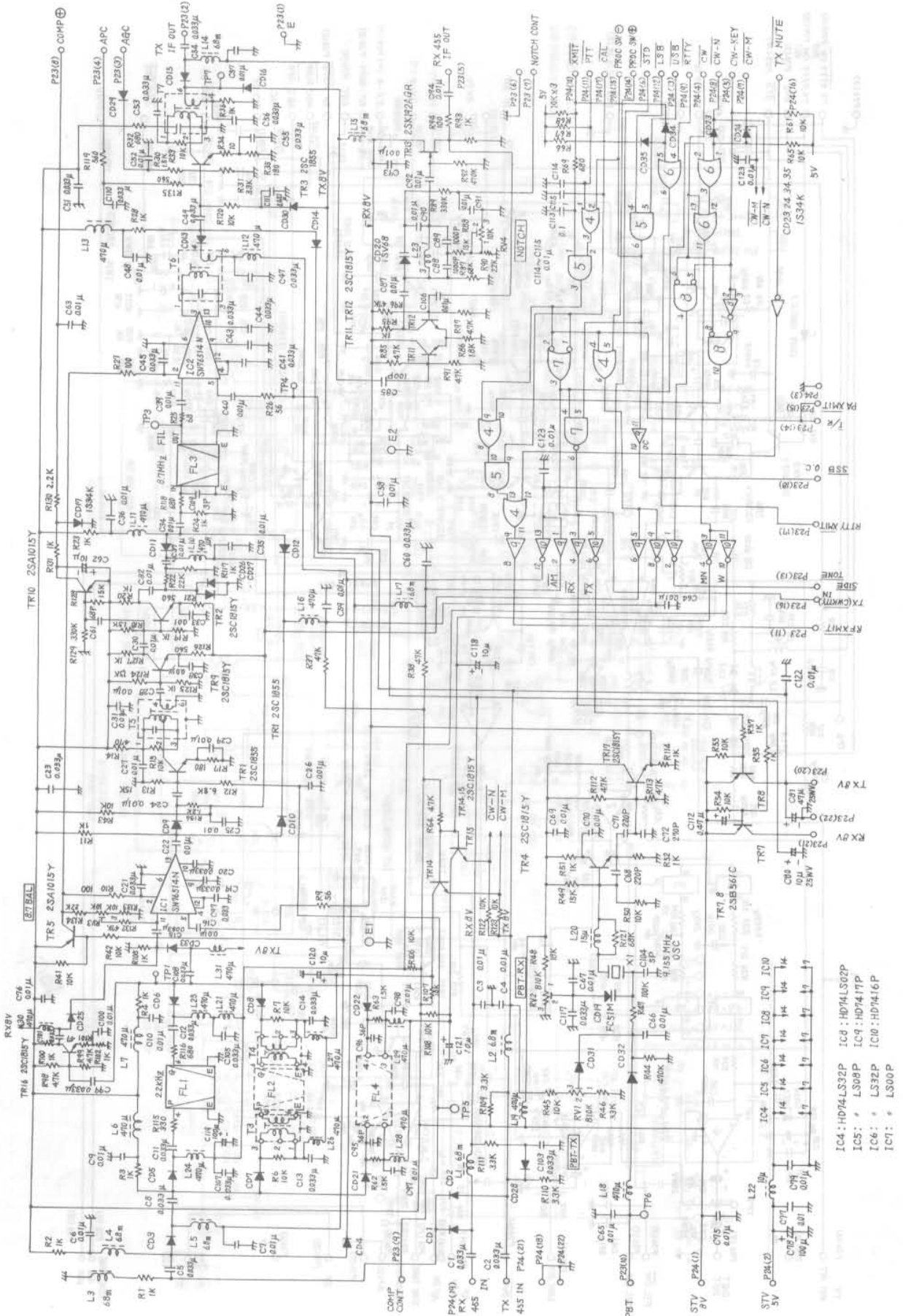


FIGURE 7.4 CAE-137 IF AMP UNIT CIRCUIT DIAGRAM

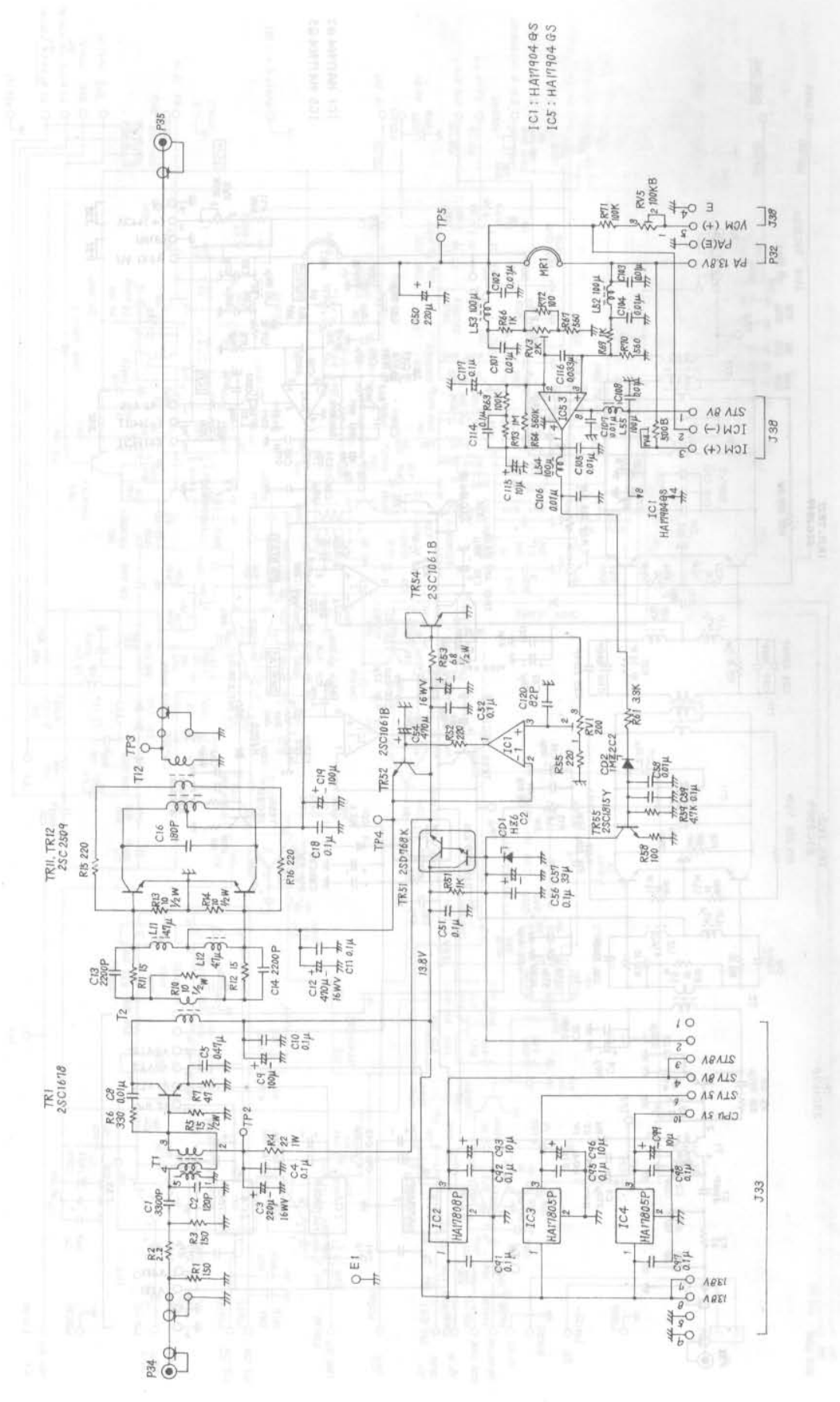


FIGURE 7.7 CAH-158 10W PA UNIT CIRCUIT DIAGRAM

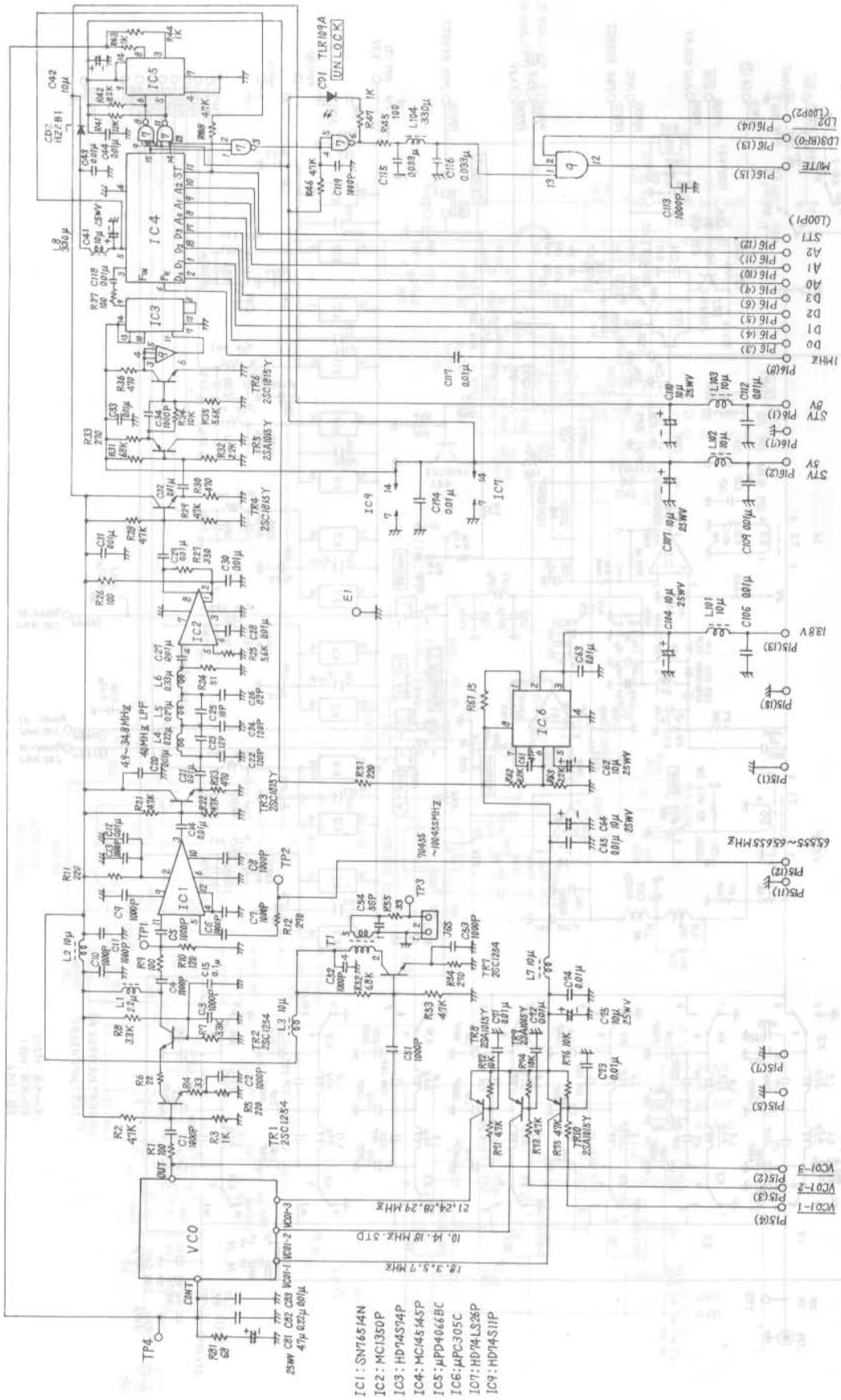


FIGURE 7.9 CGA-94 LOOP 1 UNIT CIRCUIT DIAGRAM (1/2)

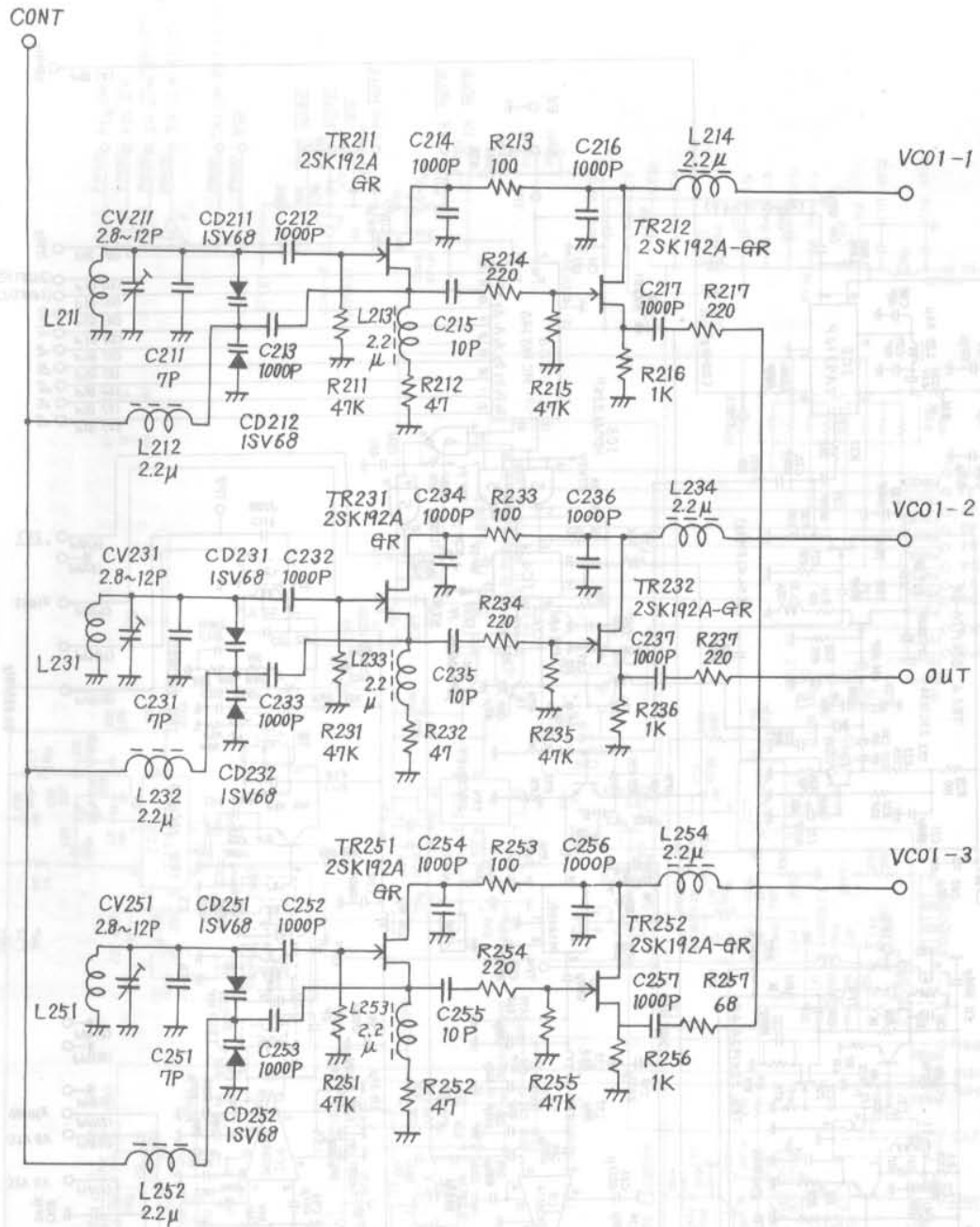


FIGURE 7.10 CGA-94 LOOP 1 UNIT CIRCUIT DIAGRAM (2/2)

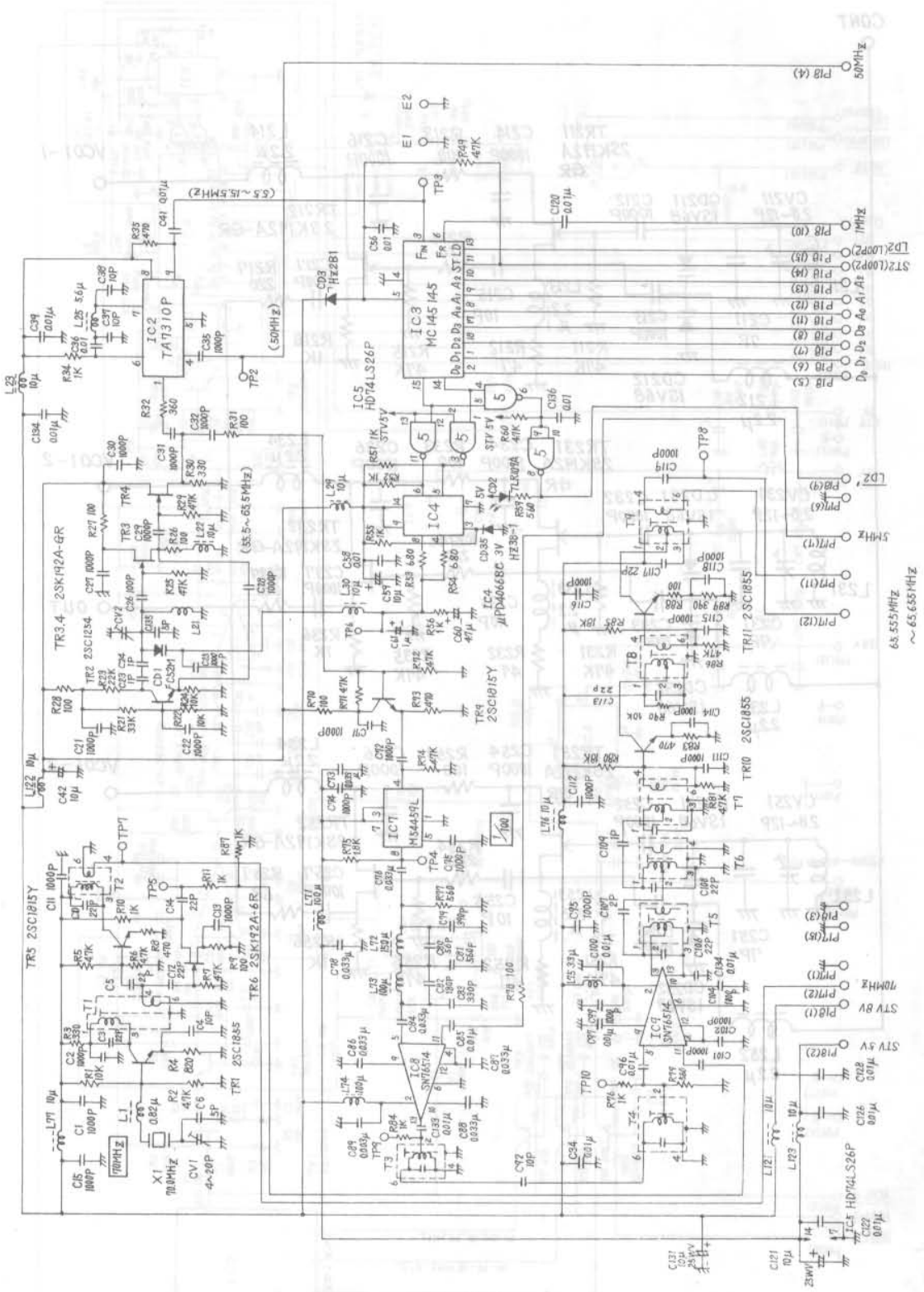


FIGURE 7.11 CGA-95 LOOP 2 UNIT CIRCUIT DIAGRAM

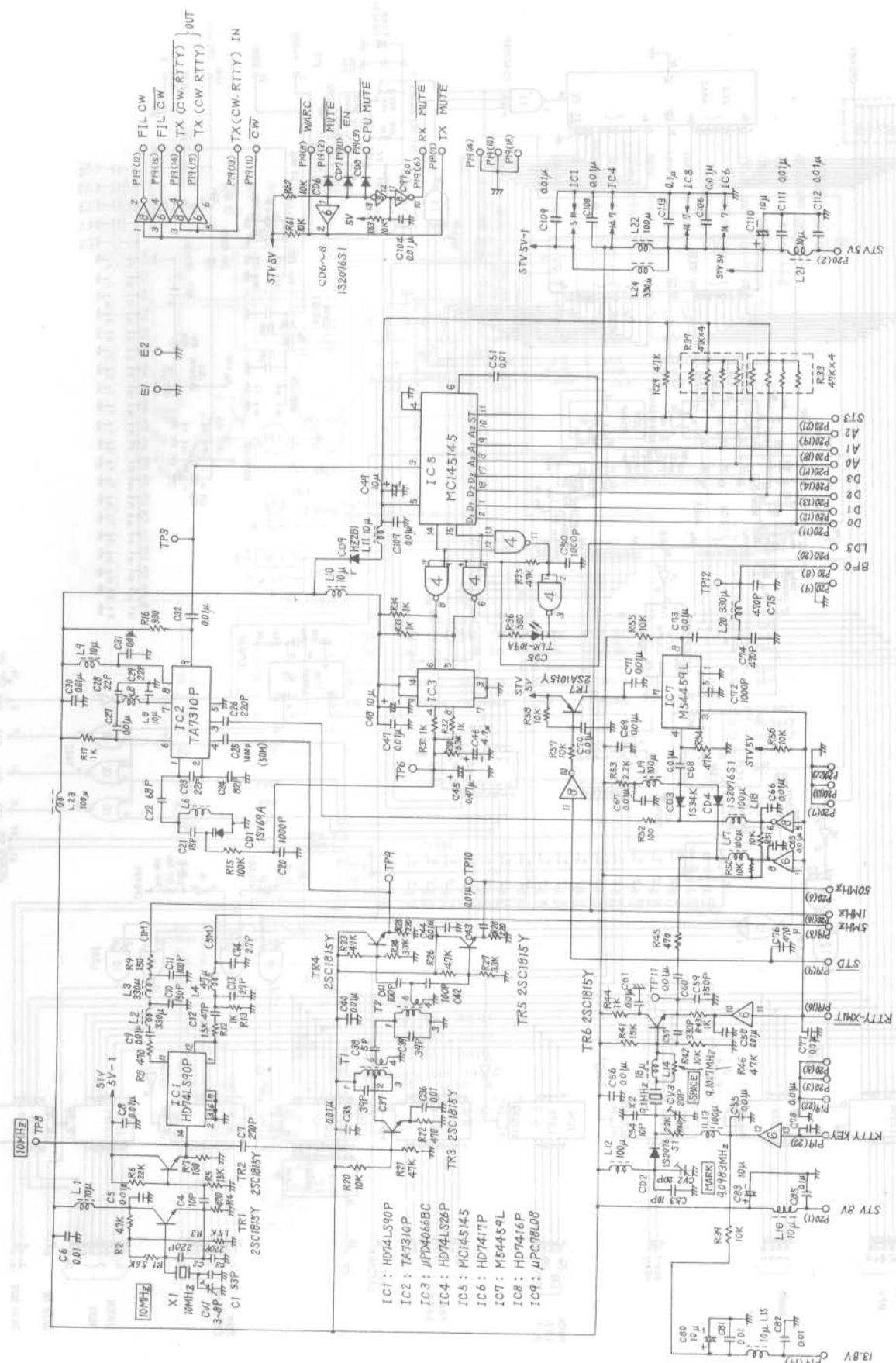
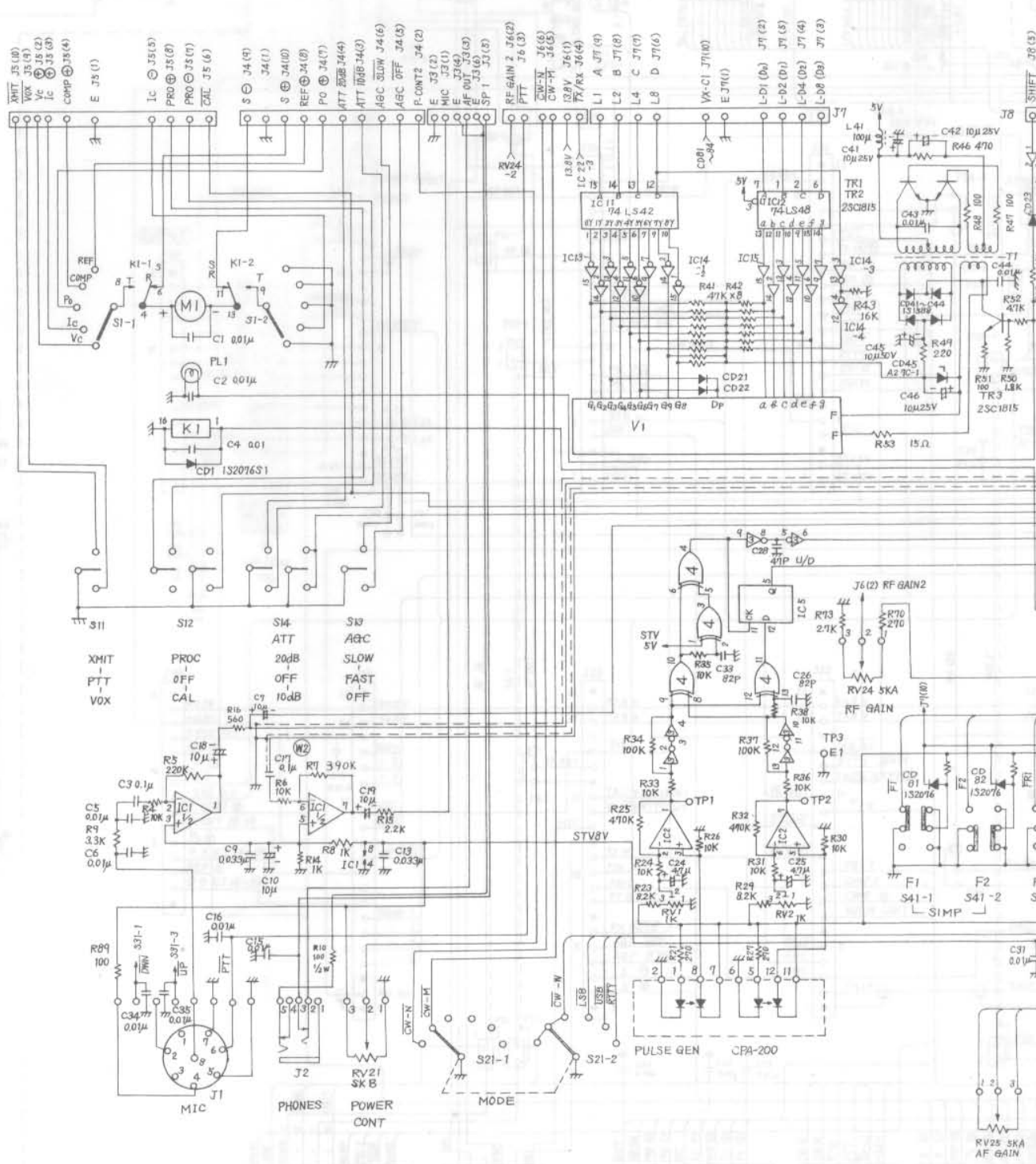
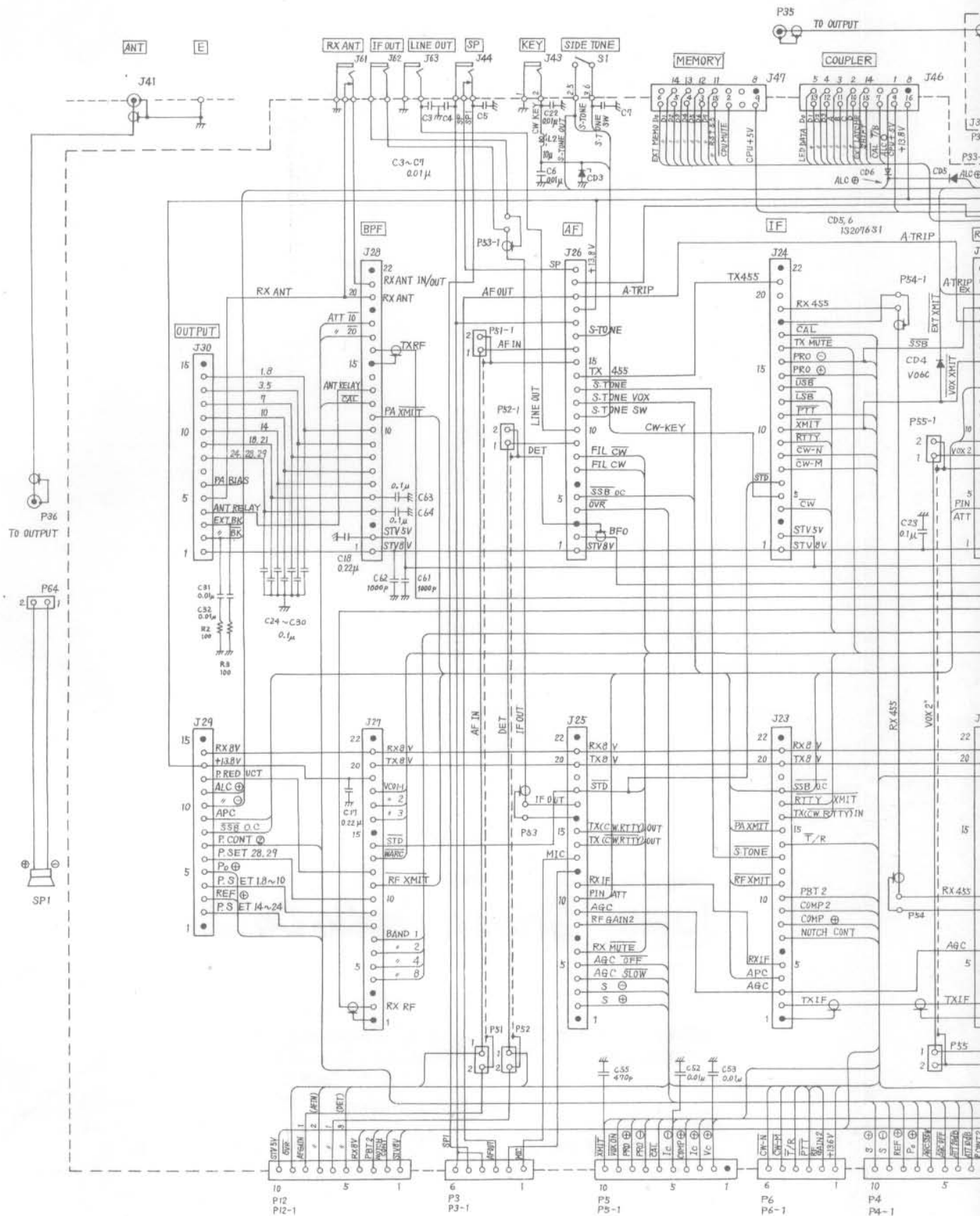


FIGURE 7.12 CGD-76 BFO UNIT CIRCUIT DIAGRAM





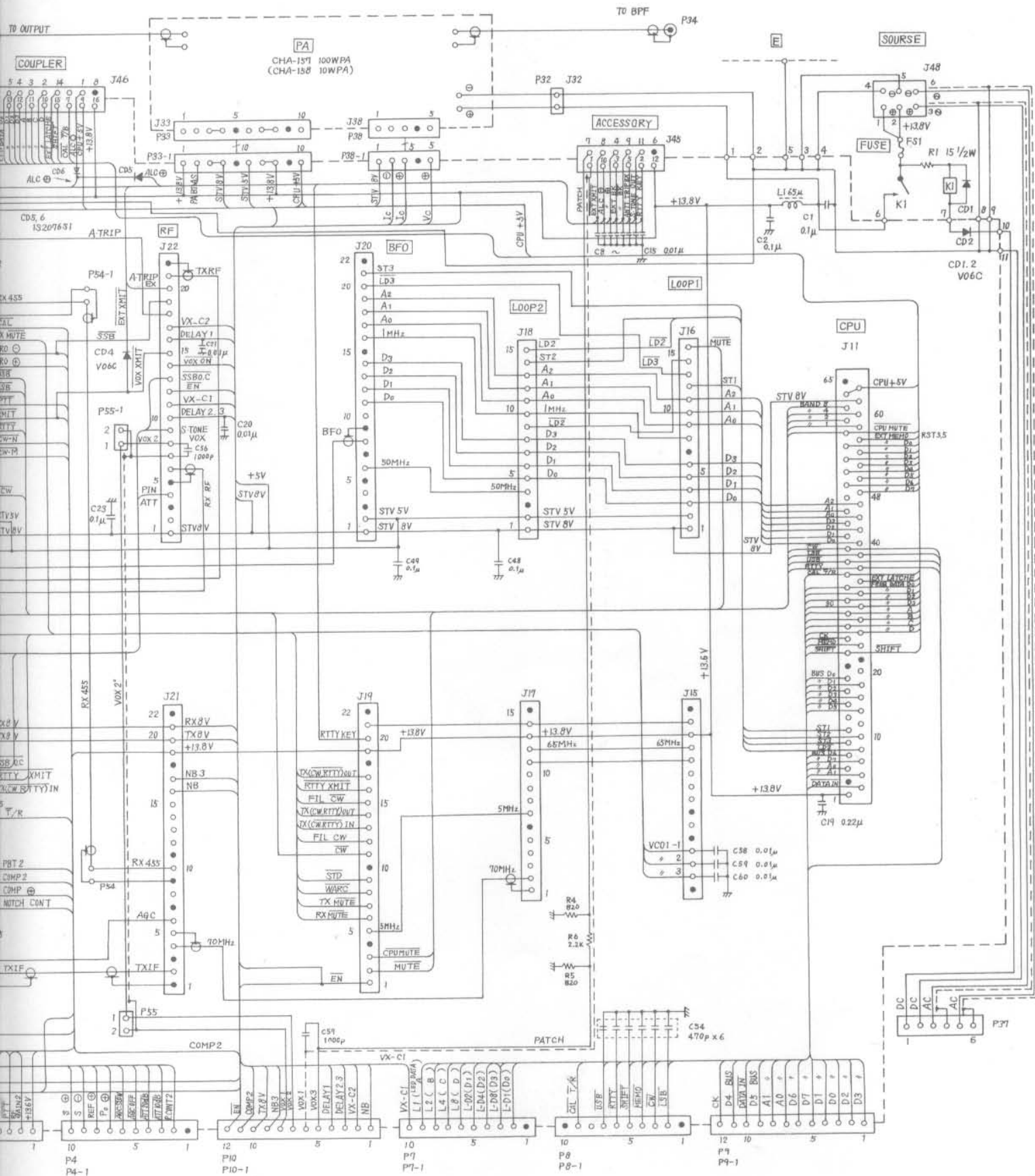


FIGURE 7.15 CWB-232 MOTHER BOARD CIRCUIT DIAGRAM