

Notes on schematic revisions:

This schematic is dated 11-15-57. A comparison to a schematic dated 8-1-58 reveals the following differences:

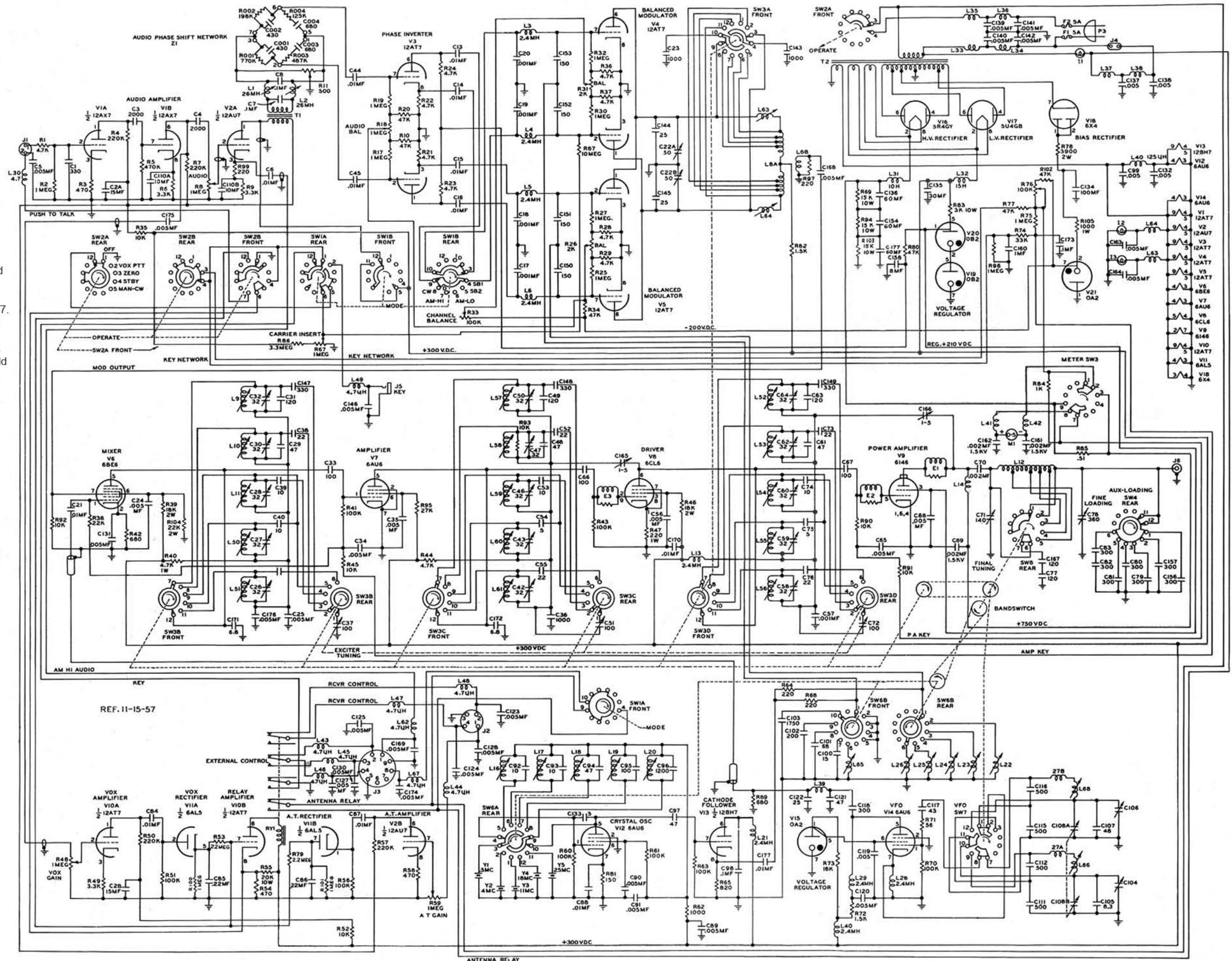
1. V4 and V5 are listed as ECC-81, the European version of the 12AT7.
2. C135's value is 80 uF. This value agrees with the 5-58 dated parts list page.
3. 10K resistors R105 and R106 are added in parallel to L59 and L60. Note that R105 was already assigned, so the added resistors should have been assigned R106 and R107. This duplication error was also made in the parts list dated 10-58.

No other differences were noted between the two schematics.

Switches shown in the following positions:

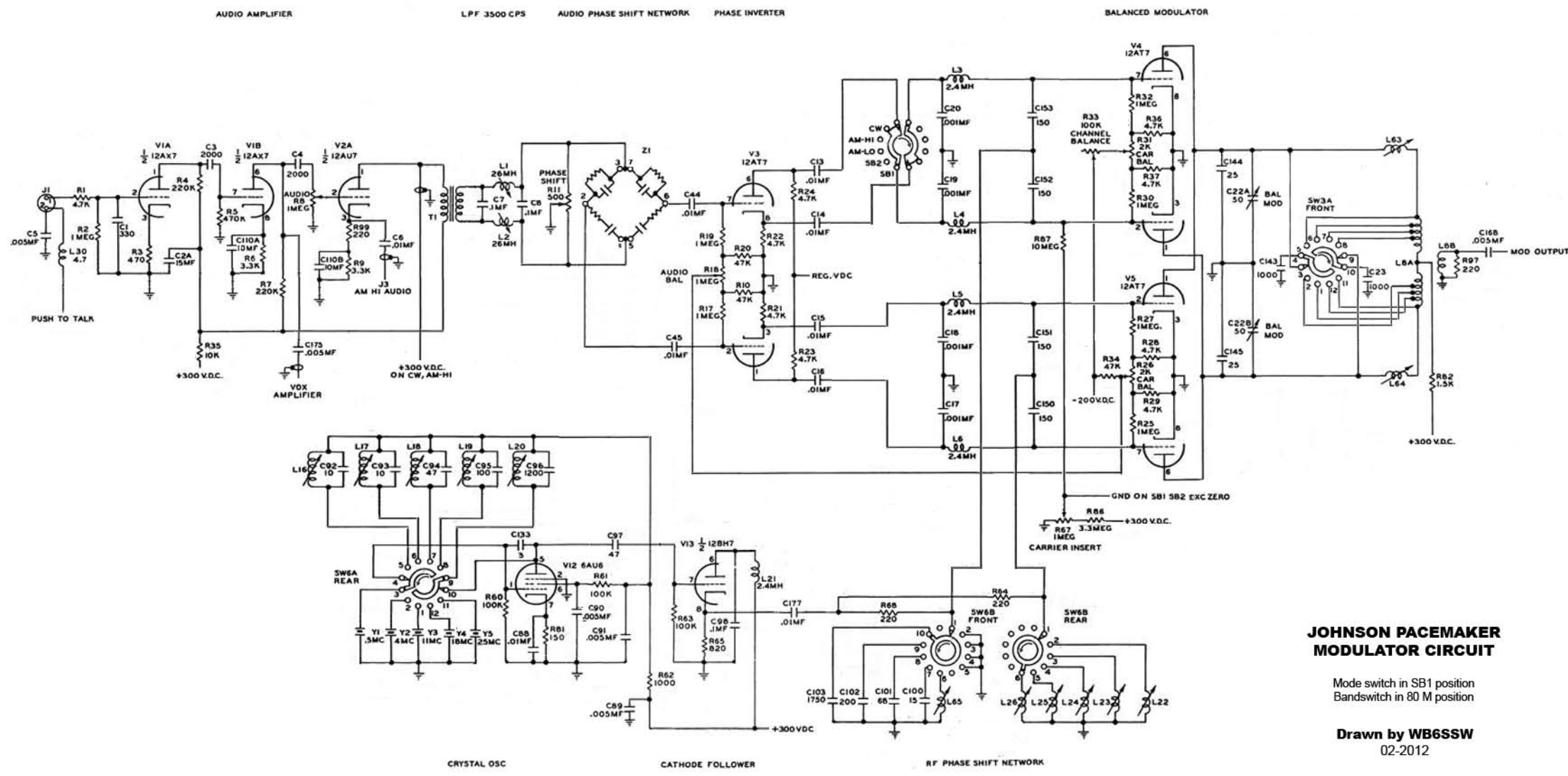
- Mode switch in SB1 position
- Balance Mod switch in "0" position
- Band switch in 80 M position
- Meter switch in GRID position
- Operate switch in OFF position
- Aux Coupling (aka Aux Loading) in "1" position

WB6SSW 1-15-12



1. ALL SWITCHES VIEWED FROM KNOB END. WAFERS LETTERED A, B, ETC. FROM KNOB END TOWARD REAR END OF SWITCH.
 2. ALL SWITCHES EXCEPT SW6 ARE SHOWN IN EXTREME COUNTERCLOCKWISE POSITION. SW6 IS SHOWN IN EXTREME CLOCKWISE POSITION AND ROTATES CCW. ALL OTHERS ROTATE CW.
 3. RESISTORS ARE IN OHMS UNLESS OTHERWISE SPECIFIED.
 4. CAPACITORS ARE IN MICRO-MICROFARADS UNLESS OTHERWISE SPECIFIED.
- D-DUMMY LUG

Figure 12: Pacemaker Schematic Diagram



**JOHNSON PACEMAKER
MODULATOR CIRCUIT**

Mode switch in SB1 position
Bandswitch in 80 M position

Drawn by WB6SSW
02-2012