

MIDLAND
INTERNATIONAL®

VHF-FM 20 WATTS

220 TO 225 MHz

PLL AMATEUR TRANSCEIVER



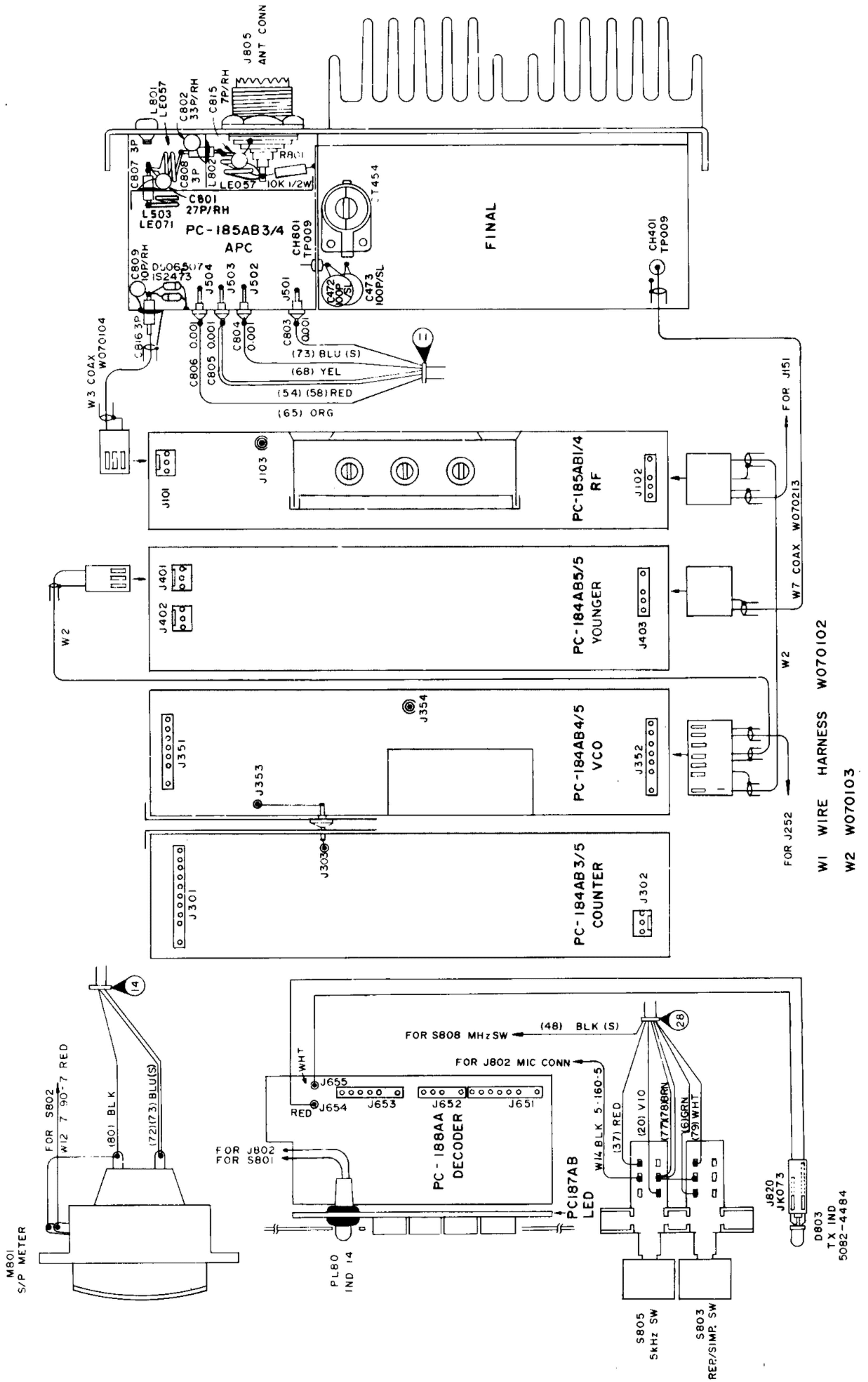
MODEL 13-513

OWNER'S GUIDE

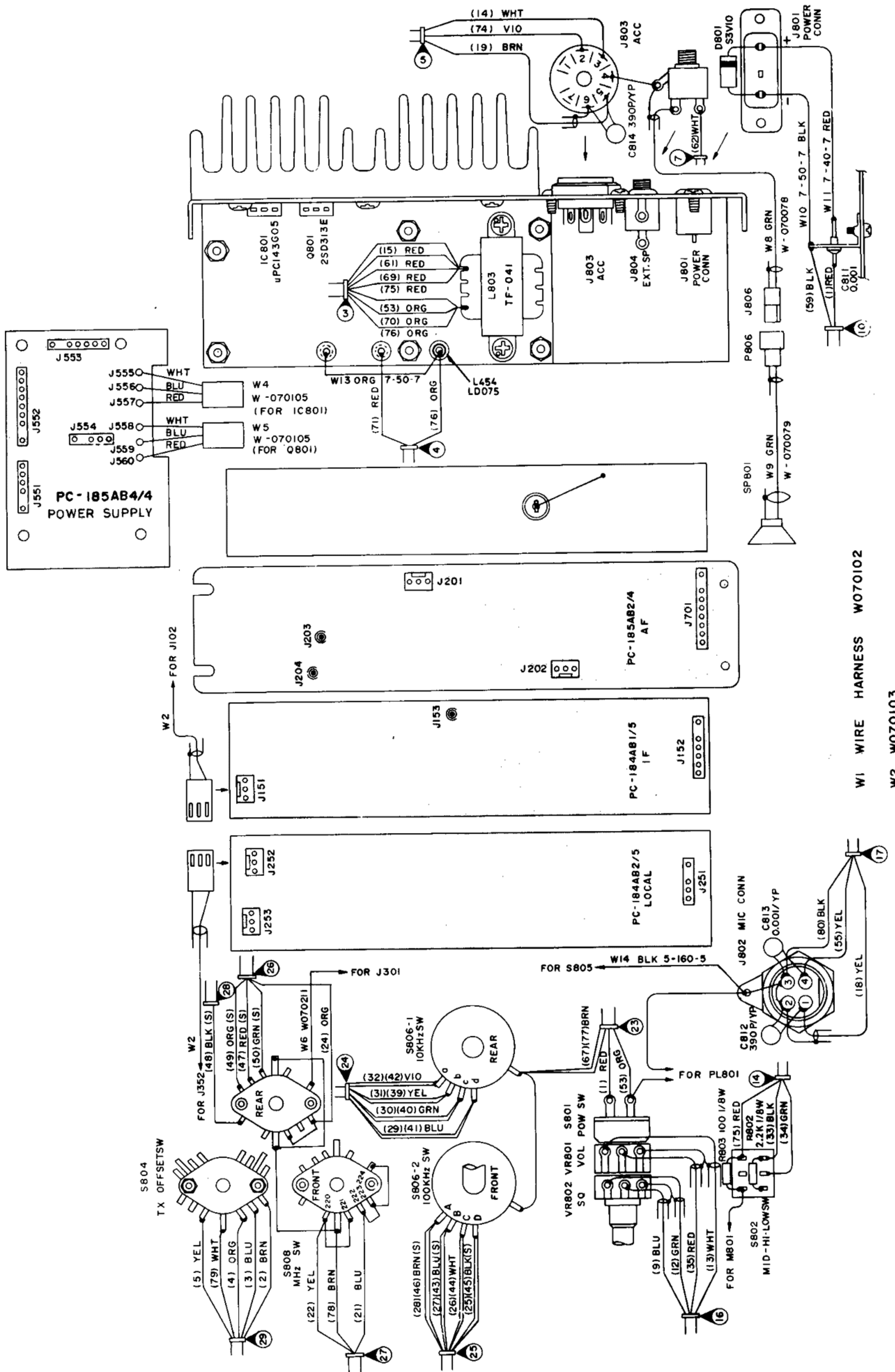
PARTS LIST

REF. NO.	DESCRIPTION	REF. NO.	DESCRIPTION
CASE PARTS		INDUCTANCE	
1	Case, Top	L-103,151	Coil, LA-151
2	Case, Bottom	L-152	Coil, LA-135
3	Mounting Bracket	L-403,404,354,406,353,	LA-226
4	Chassis, Main	104	
5	Chassis, (Rear)	L-407	Coil, LA-227
6	Panel, Front	L-101	Coil, LA-232
7	Shield Case (Herical)	L-503	Coil, LE-071
8	Shield Plate	L-454	Coil, LD-075
9	Shield Case (A)	L-102	Coil, LC-128
10	Cover, Final	L-405	Coil, LA-231
11	Shield Case, APC	L-402,401	Coil, LA-230
12	Lid, Shield (A), APC	L-256	Coil, LA-229
13	Lid, Shield (B), APC	L-255	Coil, LA-225
14	Heat Sink, I.C.202	L-253,254	Coil, LE-057
15	Plate, Shield, VCO	L-801,408,802	Coil, LE-058
16	Holder, Speaker	L-502	Coil, LC-129
17	Heat Sink, Final	L-352	Micro Inductor, LZ-011 10μH
18	Stand	L-257	Micro Inductor, LZ-012 390μH
19	Holder, P.C.B.	L-153	Micro Inductor, LZ-012 470μH
20	Knob, 100 kHz selector	L-105,154,251,252,258,	
21	Knob, 10 kHz selector	351,701,301	
22	Knob, Band Selector & TX offset	L-302,303	Micro Inductor, LZ-013 1μH
23	Knob, Volume	L-156	Micro Inductor, LZ-011 5.6μH
24	Knob, Squelch	L-155,201	Micro Inductor, LZ-014 2.7mH
25	Plate name, Brand	L-803	Choke Transformer TF-041
26	Heat Sink, Chassis	L-504	Coil, LD-018
27	Window, Frequency	L-501	Coil, LD-064
28	Plate, FCC	L-453,452	Coil, LD-015
J-802	Jack, Microphone JK-028	L-408,410,411,412	Coil, LD-020
J-805	Connector, Antenna JK-035		
J-804	Jack, Ext. Speaker JK-010		
J-801	Jack, DC Power JK-058		
J-803	Accessory Jack SK-019		
	Label, Serial No. Display Box		
	Label, Serial No. Chassis		
	Label, Warning, DC Power Cord		
	Plate, Mike		
MISCELLANEOUS		SEMICONDUCTORS	
	Microphone MK-045	IC-152,352	IC TA-7081AP
SP-801	Speaker SP-045	IC-151	IC TA-7080P
M-801	Meter MT-066	IC-201	IC TA-7083P
X-704,705	Crystal Socket SK-010	IC-202	IC TA-7204P
TP-351,251,252,401	Test Terminal TP-019	IC-351	IC MC-78L08CP
P-804	Plug, Ext. Speaker (PG-003)	IC-801	IC μPC-143G05
PL-801	Pilot Lamp PL-053	IC-301	IC μPD-857CW
P-801	DC Power Plug PG-029 ACC.	IC-302	IC μPC-1008C
F-801	Fuse 6A FS-006	IC-304	IC N-7473N
	Microphone Hanger YY-018	IC-651,652,653	IC N-7447N
P-803	Accessory Plug PG-033		
	Styrofoam Holder, Front	Q-204	FET, 2SK68A-M
	Styrofoam Holder, Back	Q-101,102,151,256,355,	FET, 3SK45-B
	Display Box	356,401,402,403	
J-820	Owner's Guide	Q-354	FET, 2SK55-D
	LED Connector JK-073	Q-351,352,353	Transistor, 2SC458LGC
		Q-201,202,203,301,357,	Transistor, 2SC458C
		555,556	
		Q-152,153,251,252,253,	Transistor, 2SC1675-L
		254,257,304,306,701,	
		702,703,704,705,706	
		Q-303,305	Transistor, 2SC763-C
		Q-255,404	Transistor, 2SC763-D
		Q-302,552,554,557	Transistor, 2SA733-P
		Q-651,558	Transistor, 2SB544-E
		Q-553	Transistor, 2SD400-E
		Q-801	Transistor, 2SD313-E
		Q-405	Transistor, 2SC2053
		Q-451	Transistor, 2SC1971
		Q-452	Transistor, 2SC2237
		Q-453	Transistor, 2SC194B
		D-203,251,252,303,304,	Diode, 1S2473
		553,554,651,652	
		D-201,202,301,302,501,	
		502,505,506,507	
		D-152,153,154,155,	Diode, 1N-60P
		D-151	Zener Diode, 8Z-081
		D-351	Varicap, 1S2339G
		D-352	Varicap, 1S2688F
		D-503,504	Diode, MI-402
		D-601,602,603,604	LED, TLR-313
		D-803	LED, 5082-4484
		D-551,552	Varistor, KB-262
		D-801	Diode, S3V-10
CRYSTALS			
X-301	QX-076 10.240 MHz		
X-252	QX-085 13.273 MHz		
X-251	QX-085 13.406 MHz		
X-702	QX-085 15.300 MHz		
X-151	QX-076 16.445 MHz		
X-701	QX-076 16.900 MHz		
X-703	QX-085 18.500 MHz		
FT-151	Crystal Filter FL-058		
FT-152	Ceramic Filter FL-039		
FT-153	Ceramic Discriminator FL-015		
FT-101	Helical Resonator FL-058		
SWITCHES & CONTROLS			
S-804	Offset SR-041		
S-808	Rotary Switch, Band MHz SR-106 TX ..		
S-808	Rotary Switch, 100 kHz & 10 kHz		
	Selector, SR-142		
S-803	Push Switch, 5 kHz up & Repeater		
	Simplex, SW-083		
S-802	Switch, Power MID HI-LOW SW-051		
VR-801/802 (S-801)	Control, Volume/Squelch with		
	Switch RV-304		

WIRING DIAGRAM



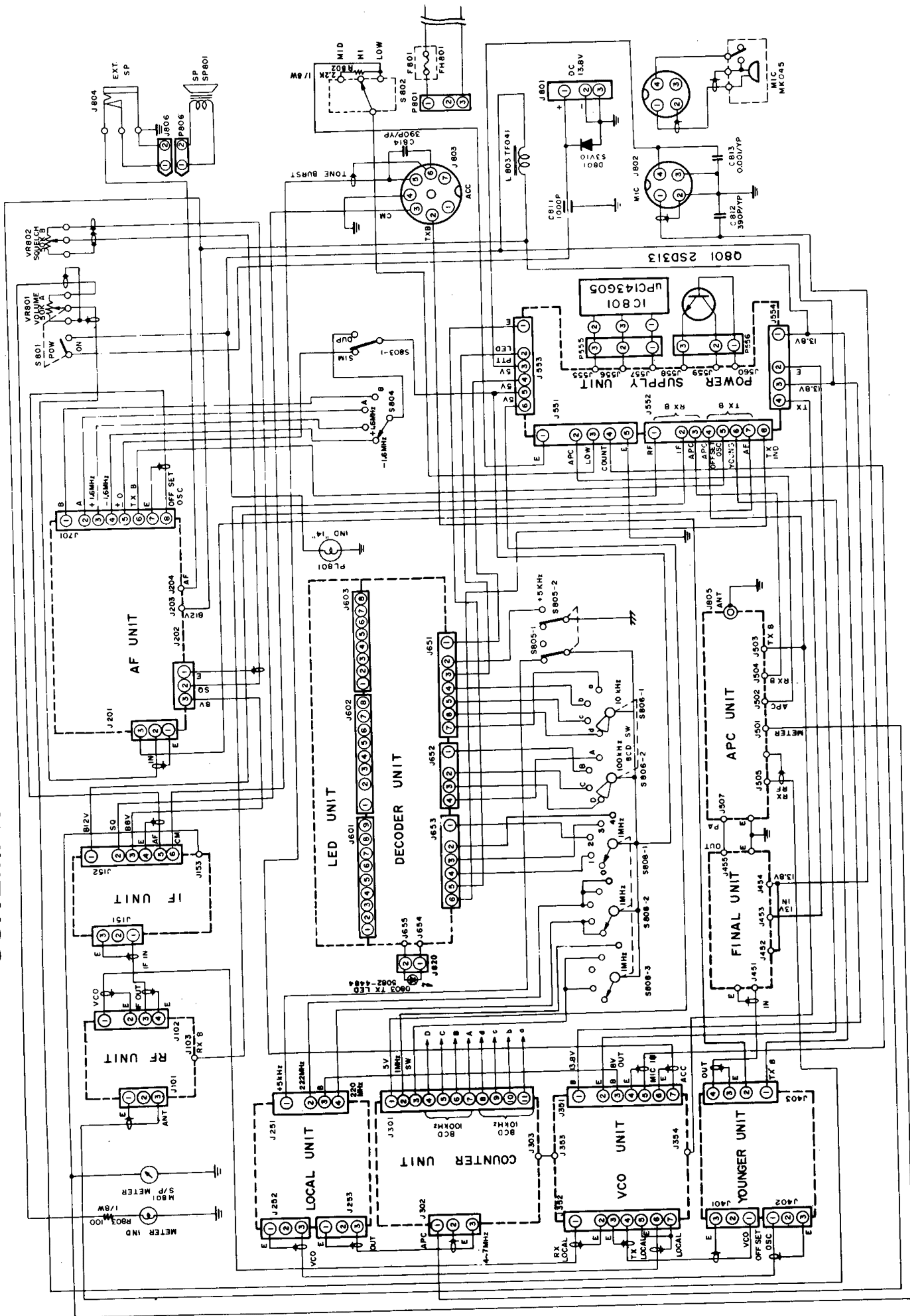
WIRING DIAGRAM



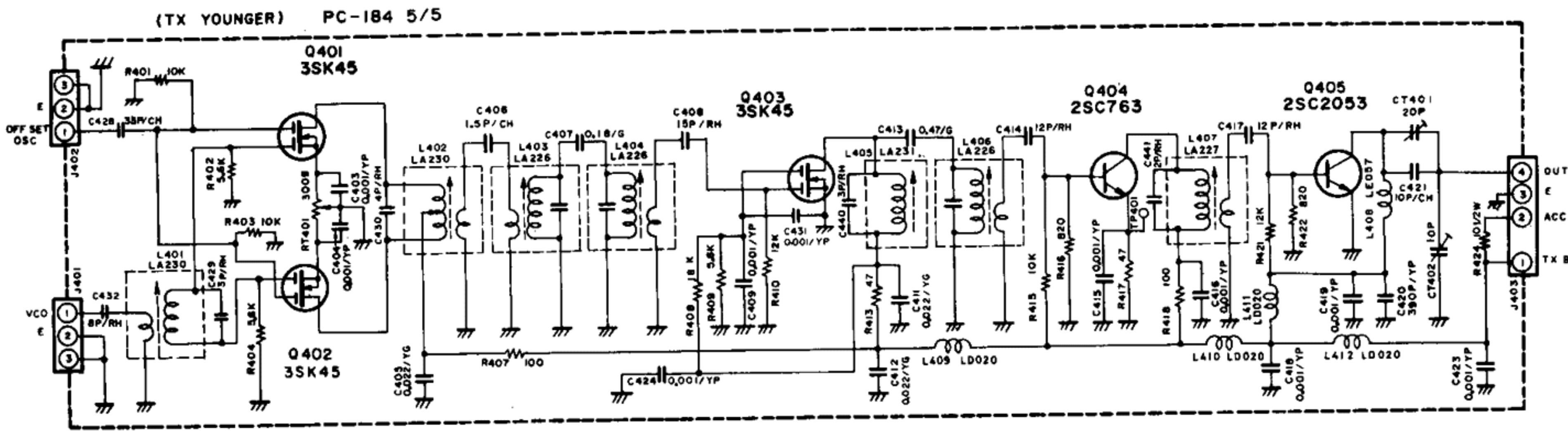
W1 WIRE HARNESS W070102

W2 W070103

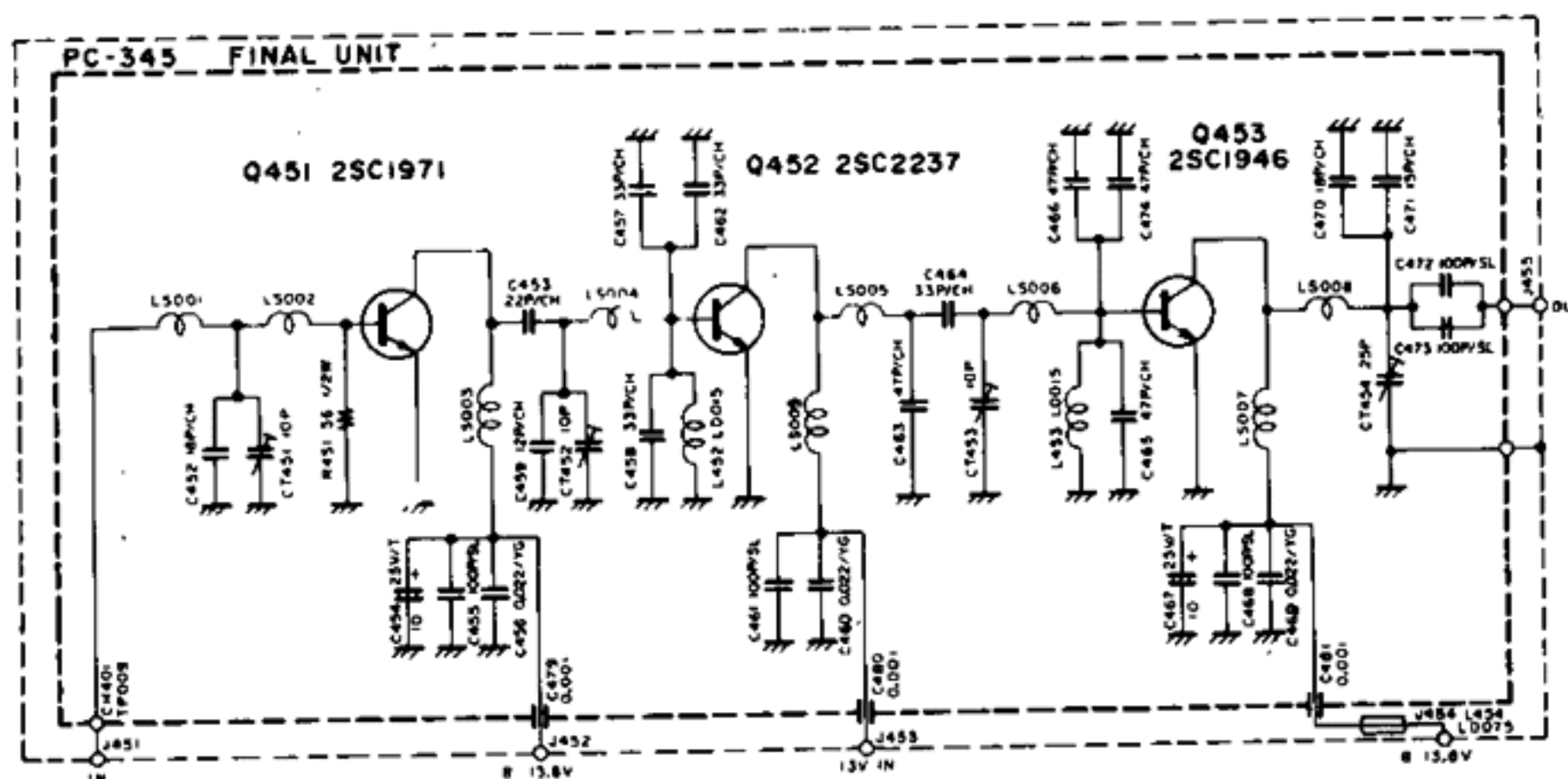
SCHEMATIC DIAGRAM (GENERAL)



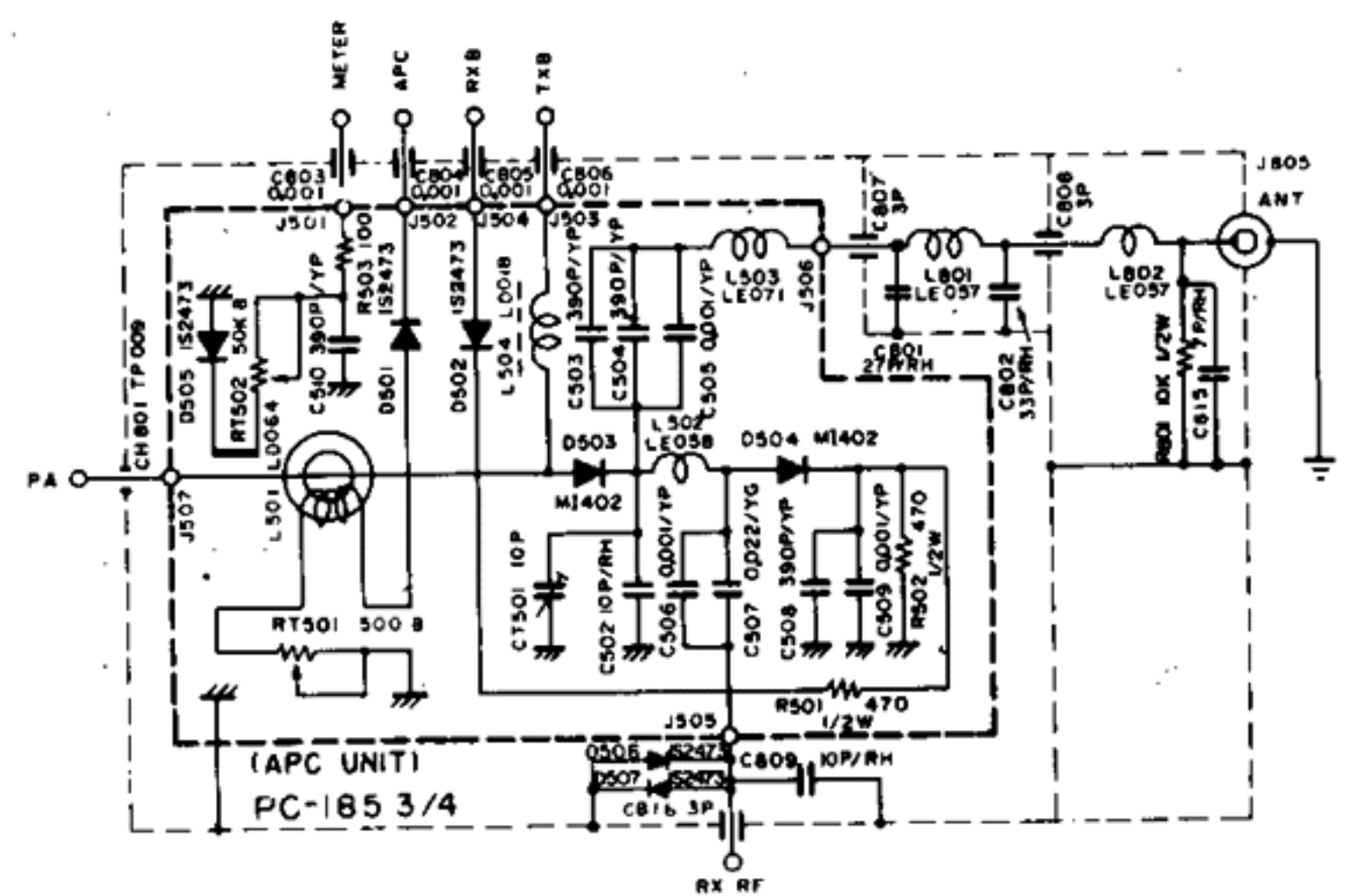
TX Younger Unit PC-184X5/5



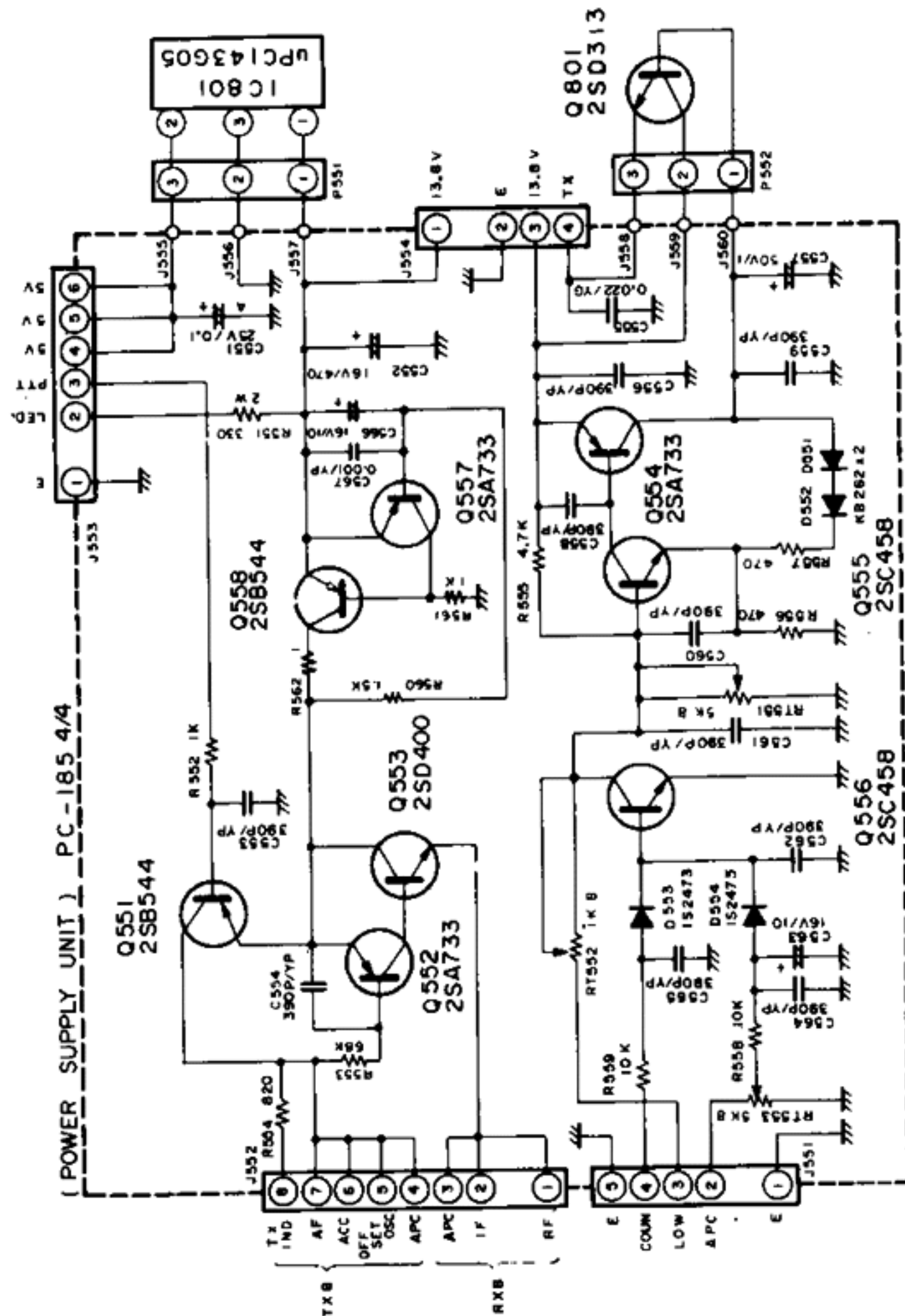
Final Unit PC - 345



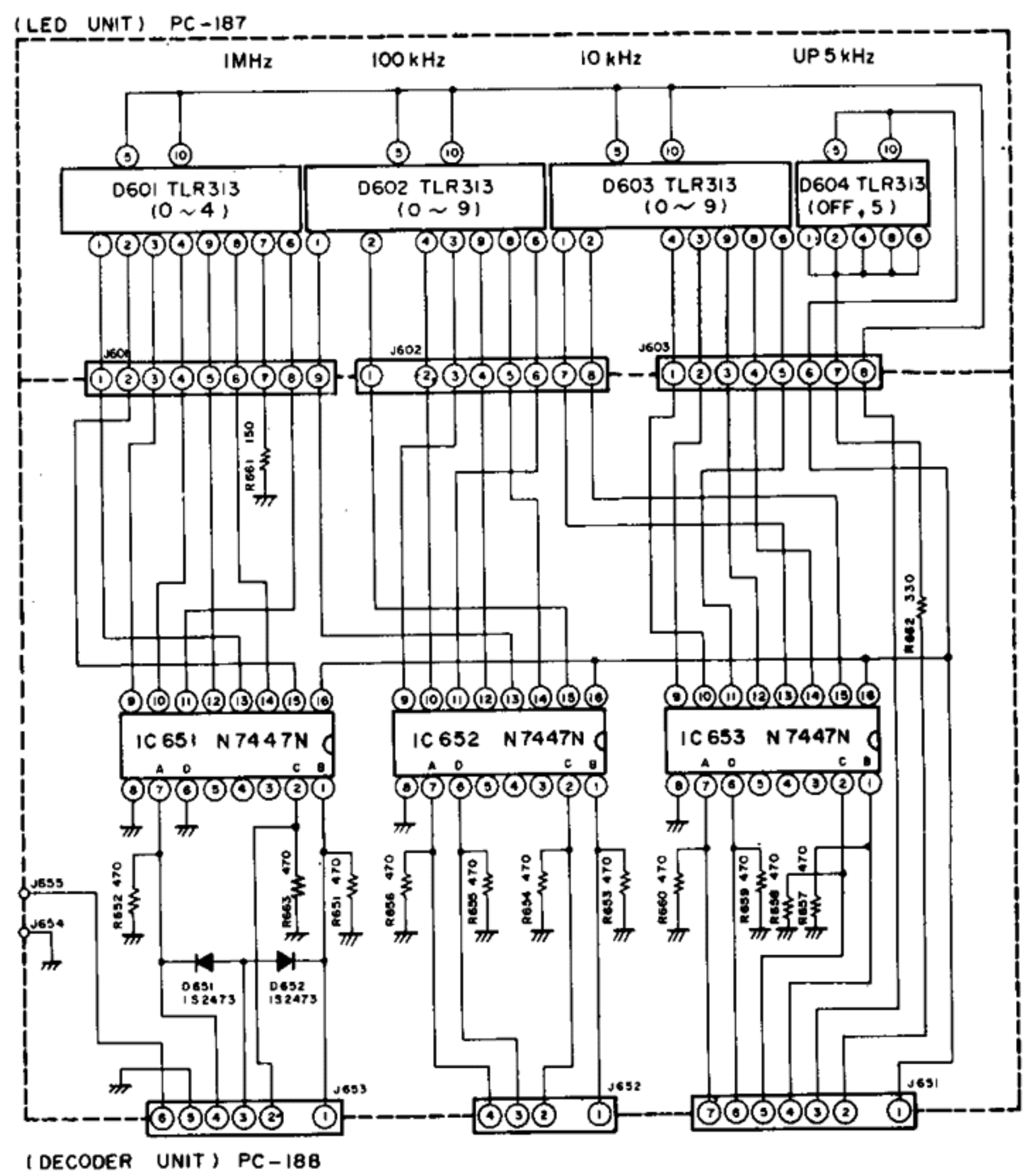
APC Unit PC - 185 3/4



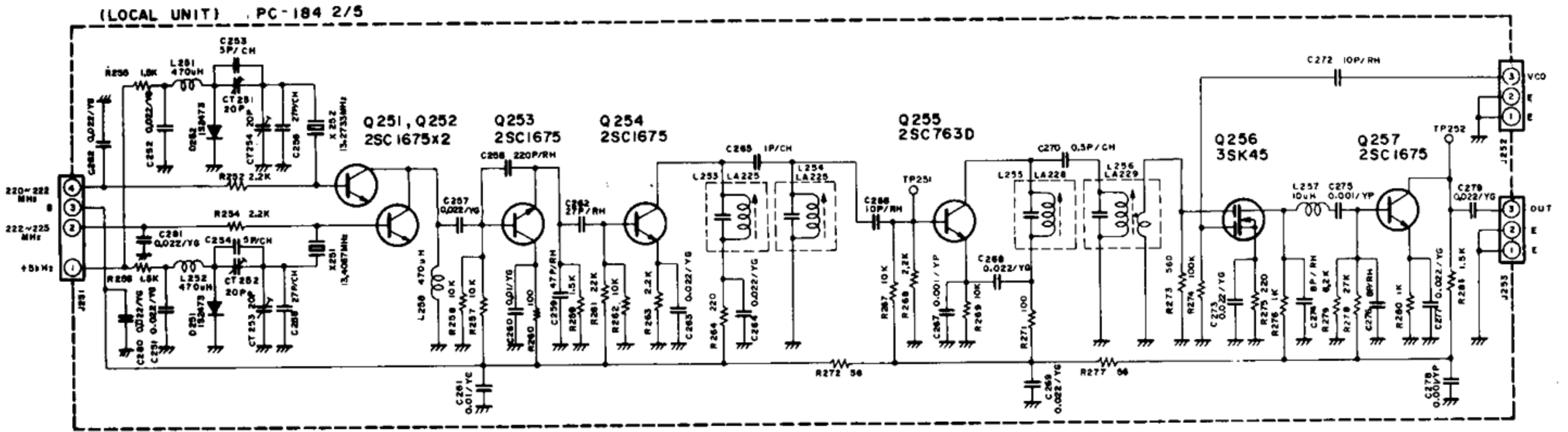
Power Supply Unit PC - 185 4/4



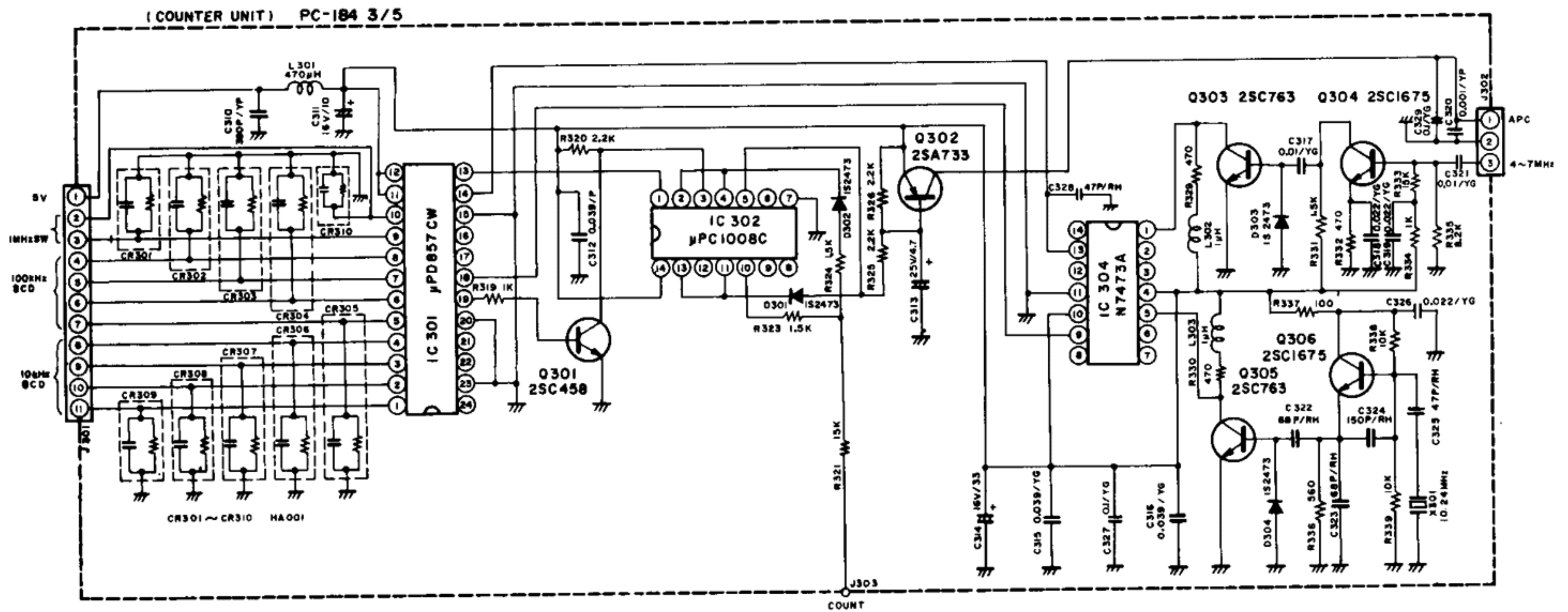
LED Unit PC - 187 Decoder Unit PC - 188



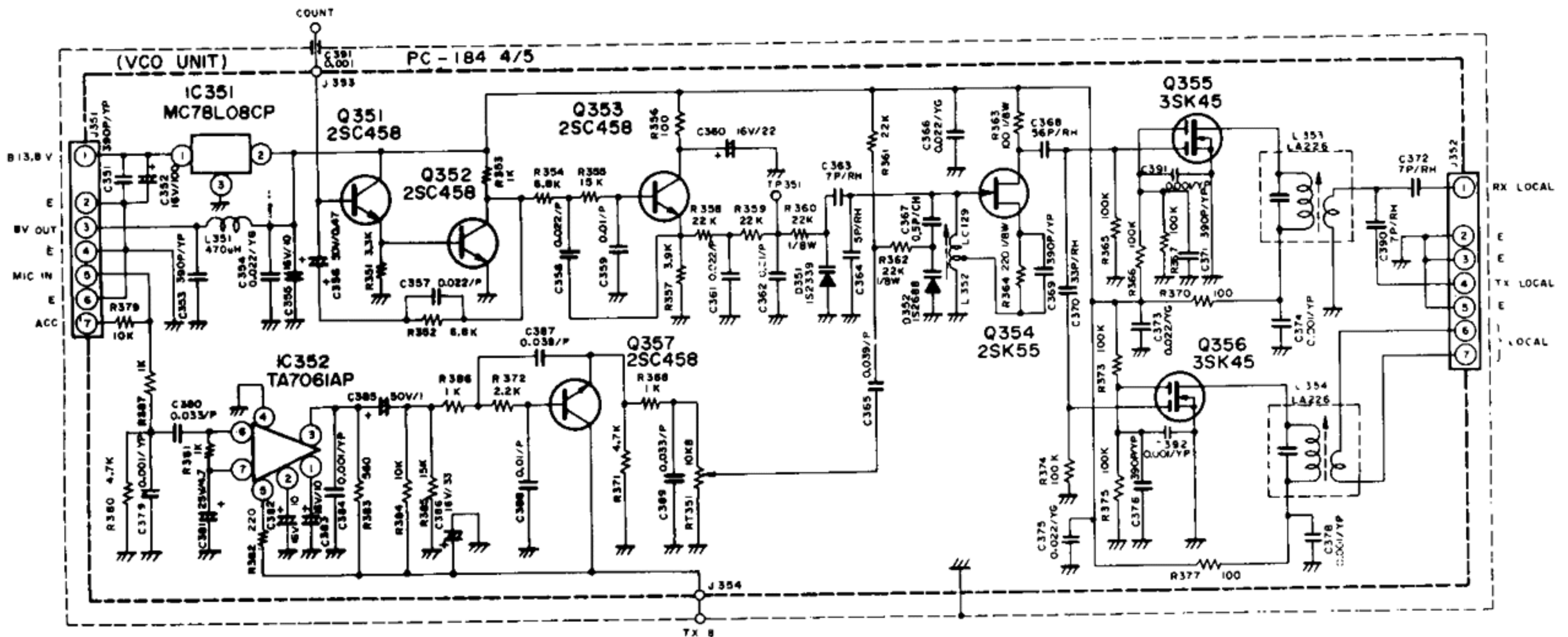
LOCAL Unit PC – 184 2/5



Counter Unit PC – 184 3/5

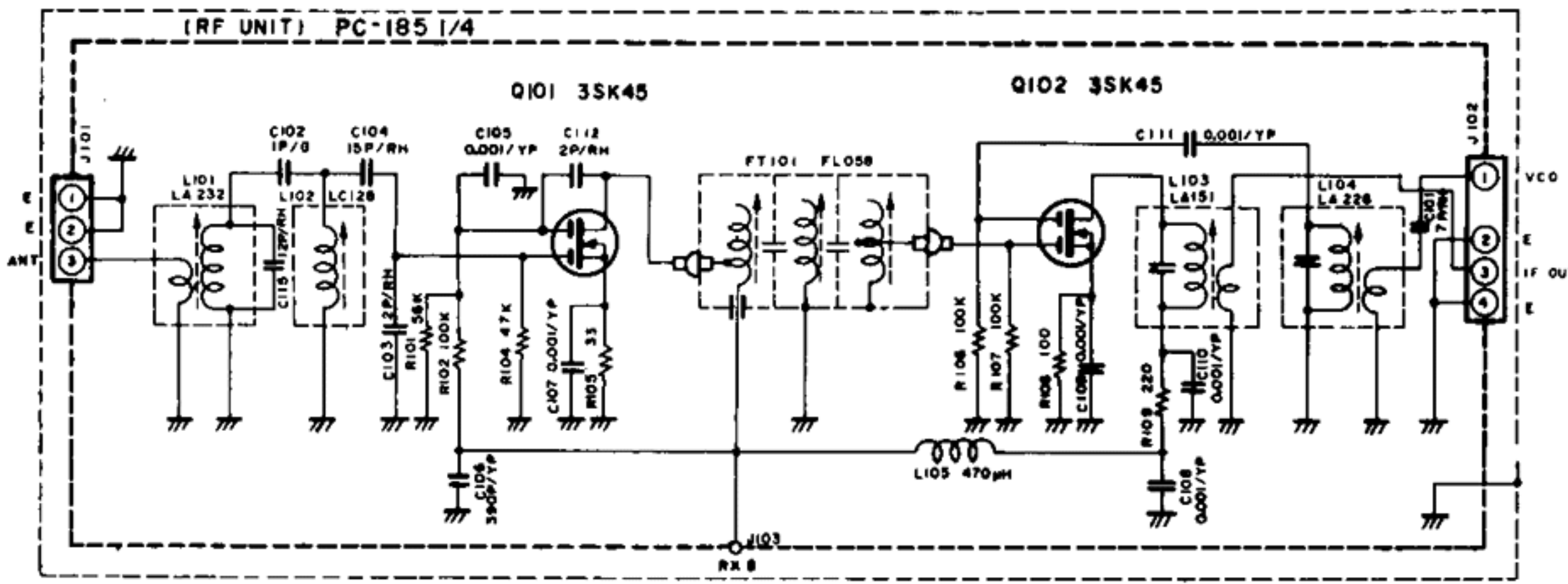


VCO Unit PC – 184 4/5

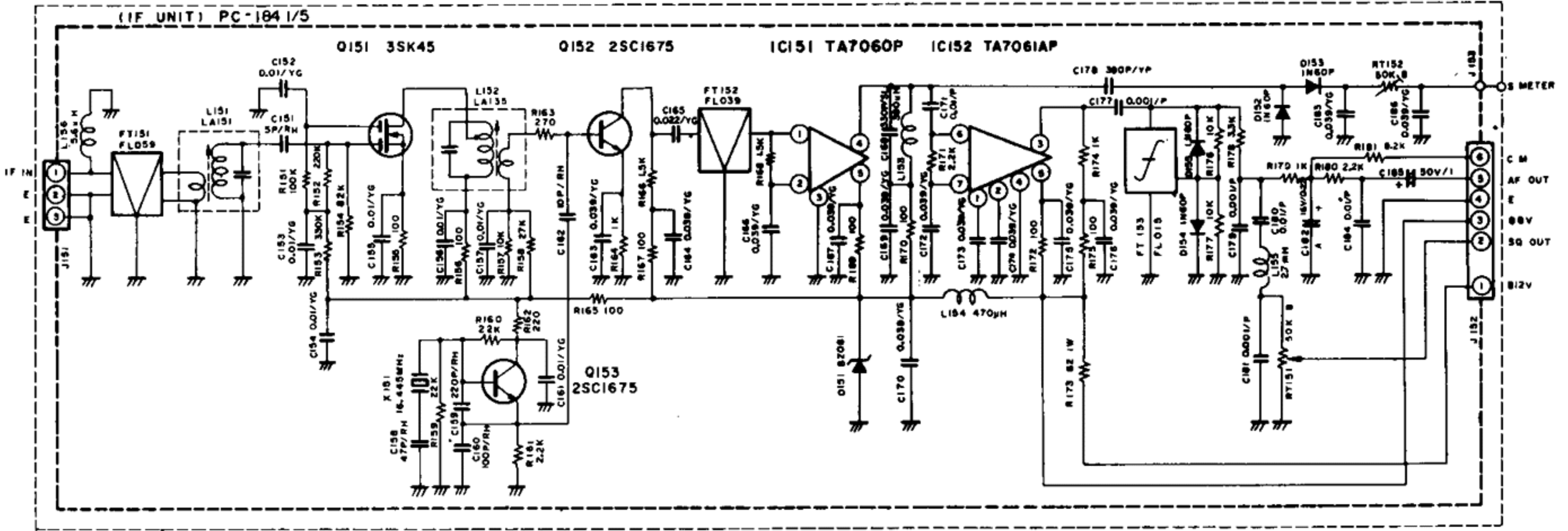


SCHEMATIC DIAGRAM (SEGMENT)

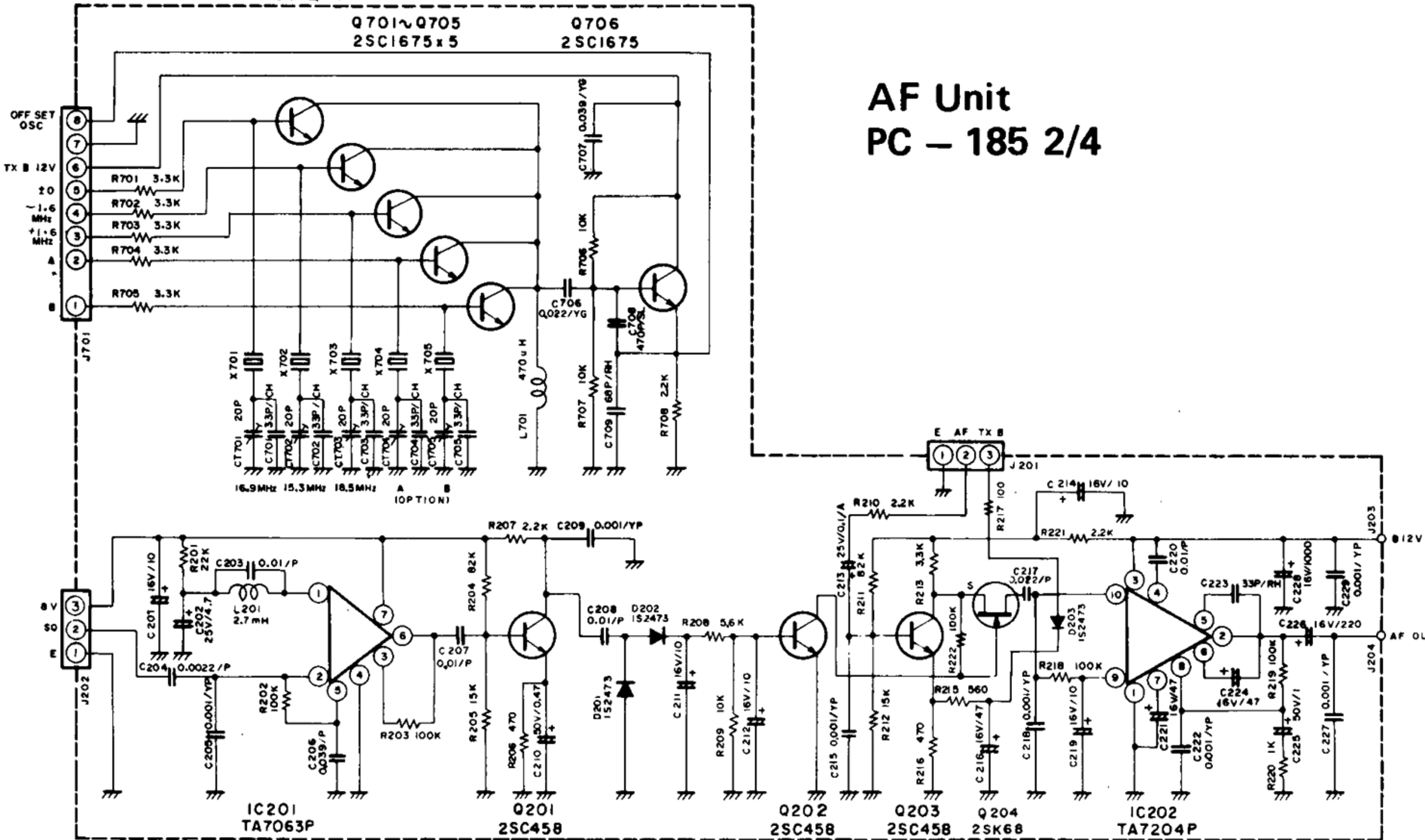
RF Unit PC – 185 1/4



IF Unit PC – 184 1/5

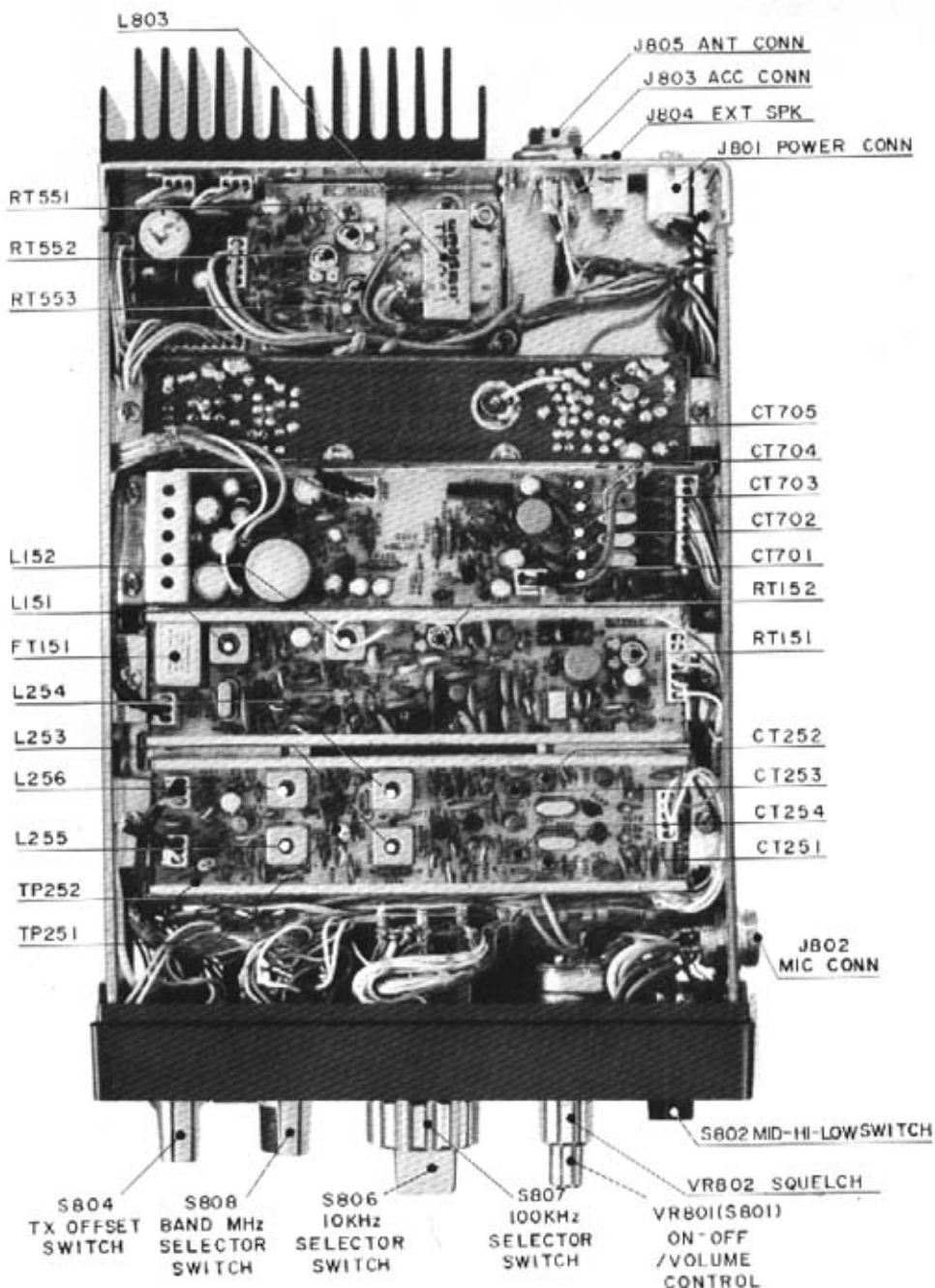


(AF UNIT) PC-185 2/4

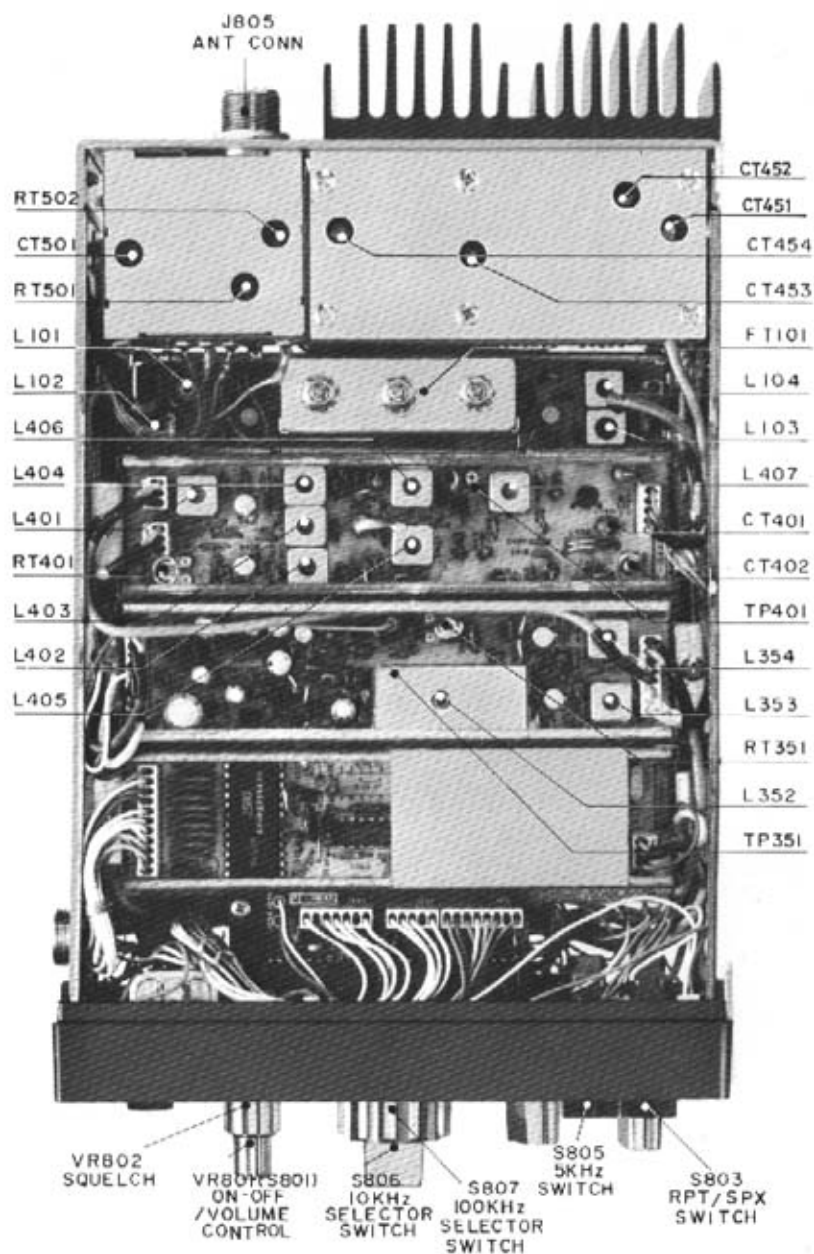


AF Unit PC – 185 2/4

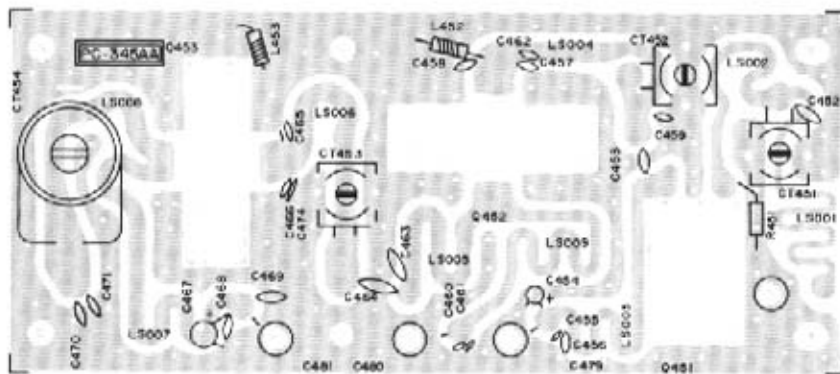
BOTTOM VIEW OF CHASSIS DETAIL



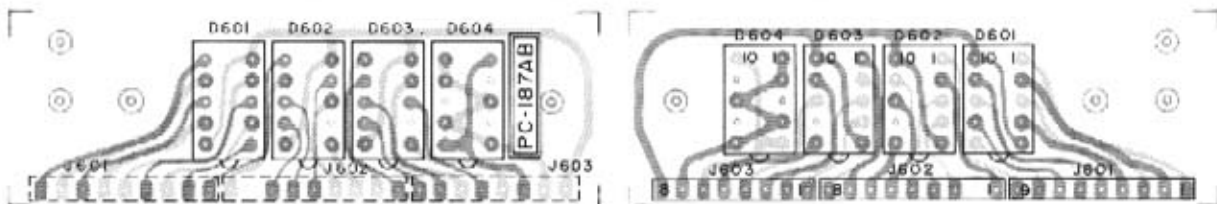
TOP VIEW OF CHASSIS DETAIL



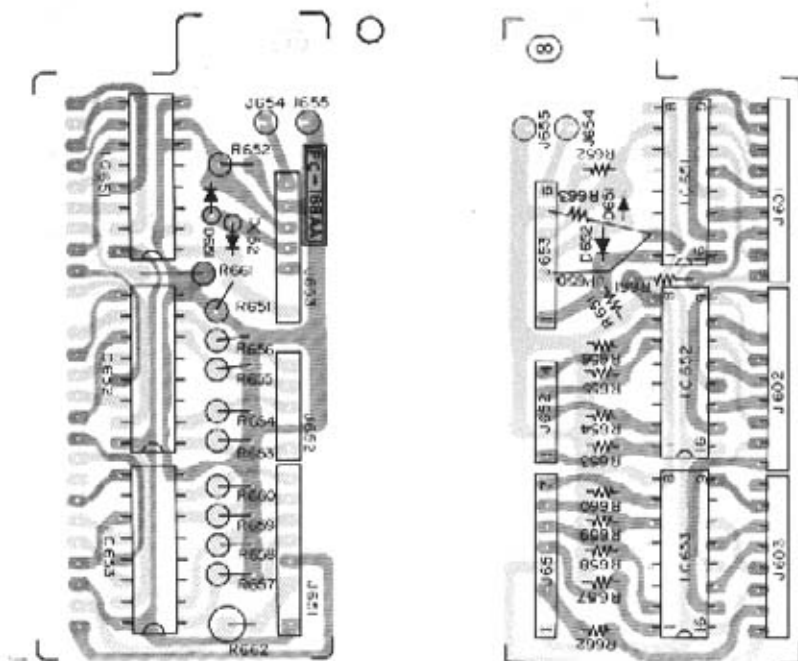
Final Unit PC – 345



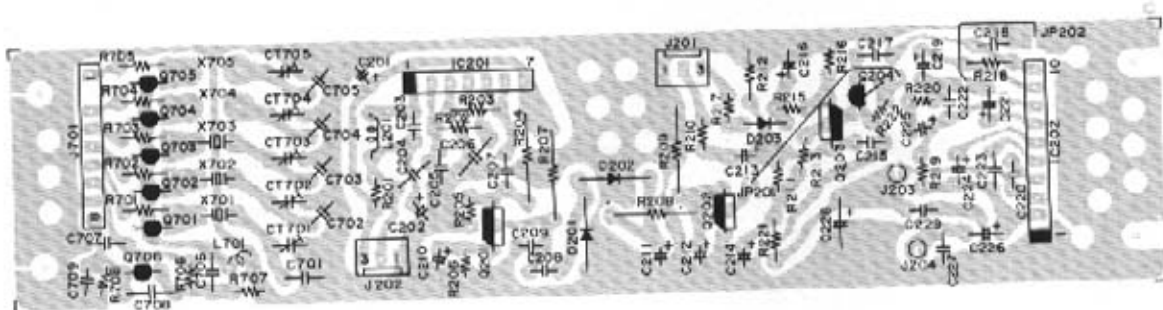
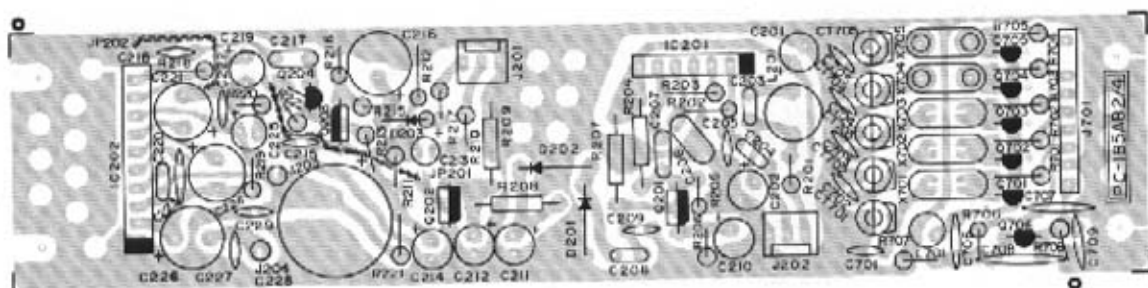
LED Unit PC – 187



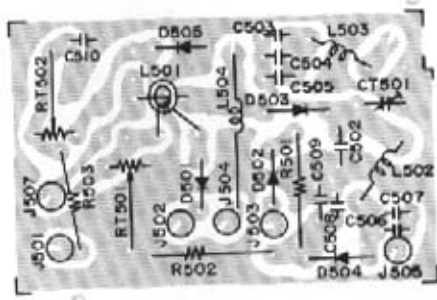
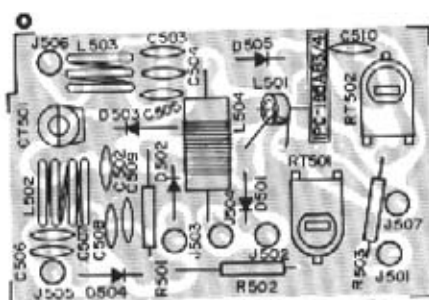
Decoder Unit PC – 188



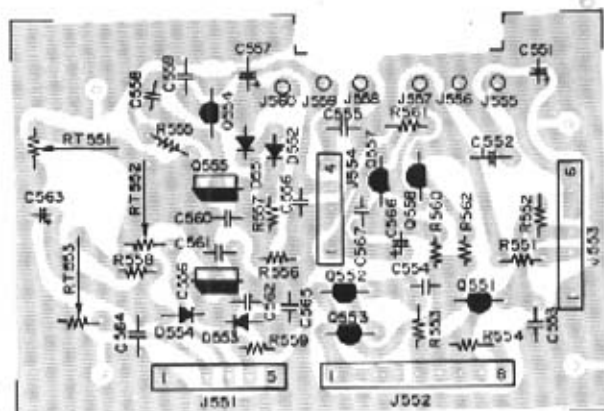
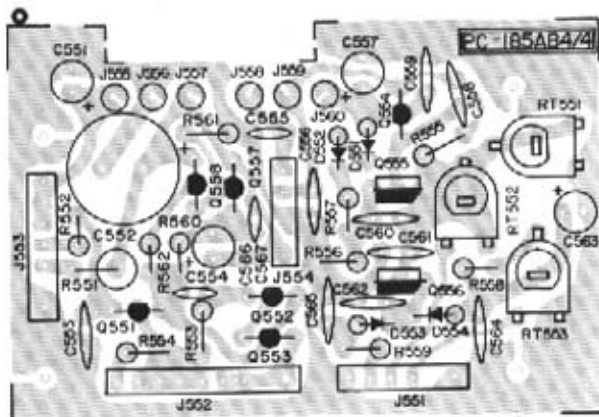
AF Unit PC – 185 2/4



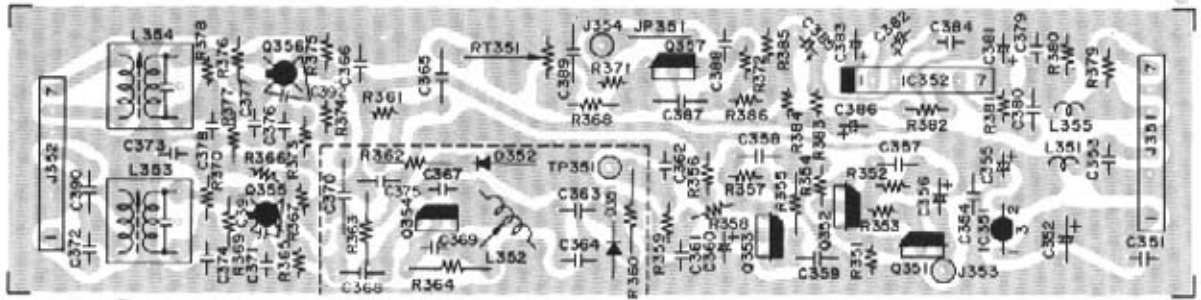
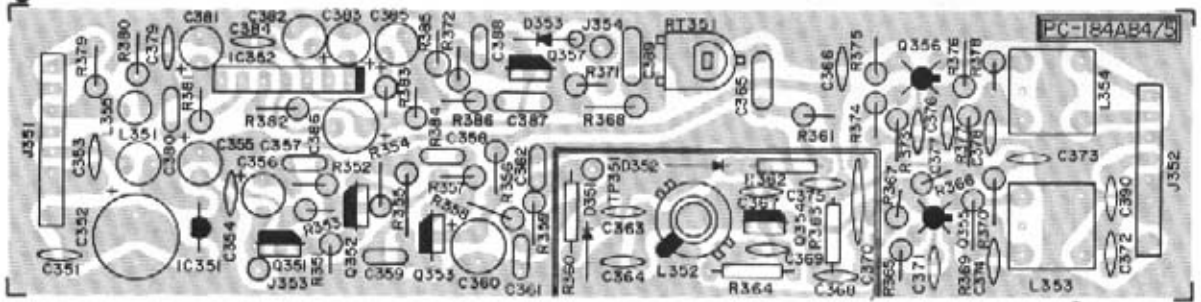
APC Unit PC – 185 3/4



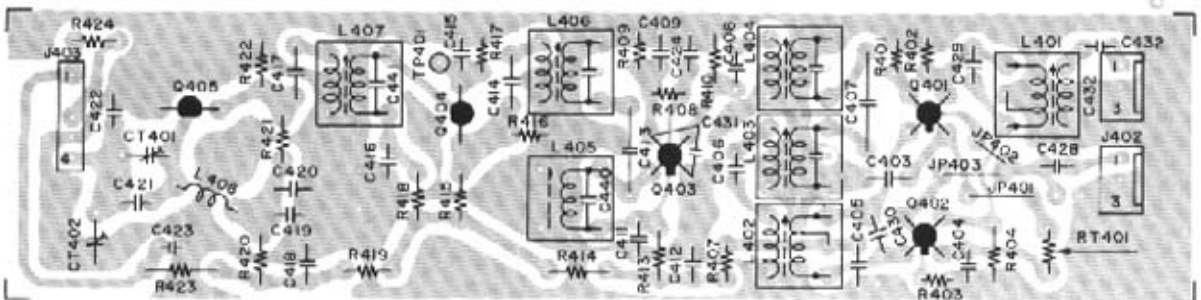
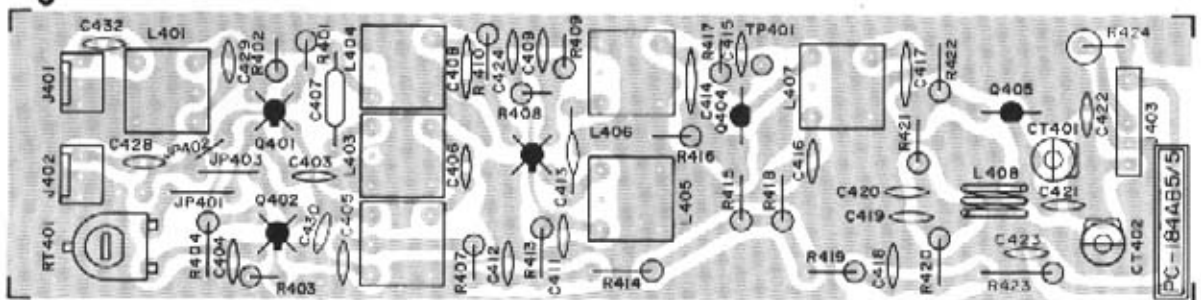
Power Supply Unit PC – 185 4/4



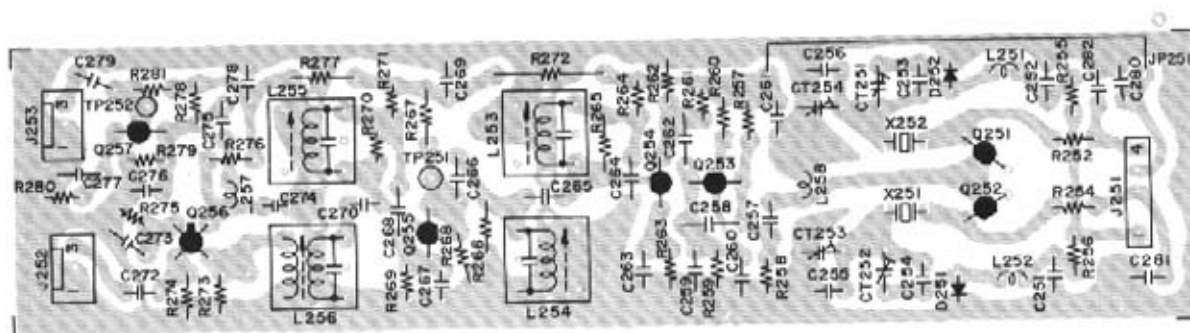
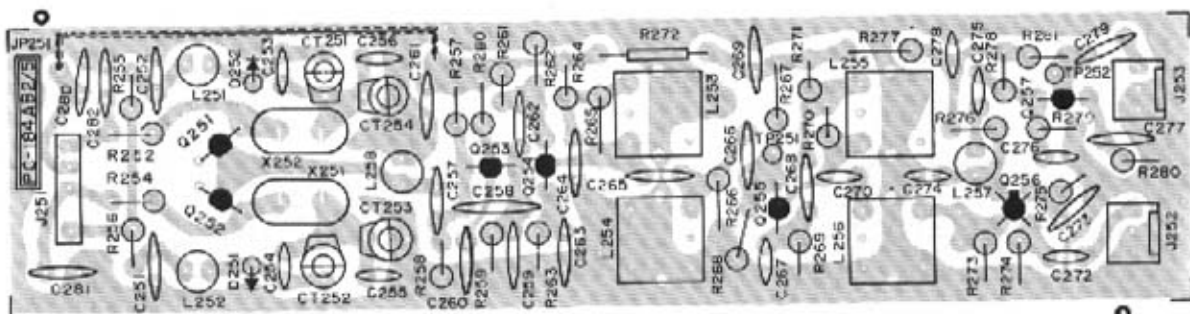
VCO Unit PC – 184 4/5



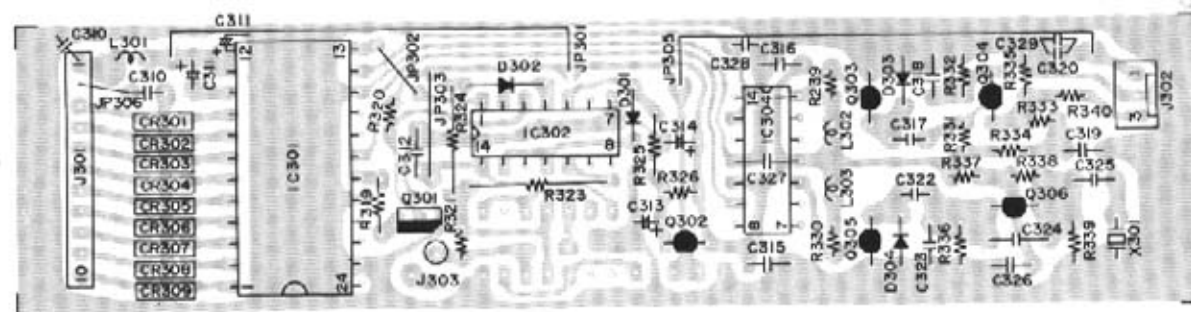
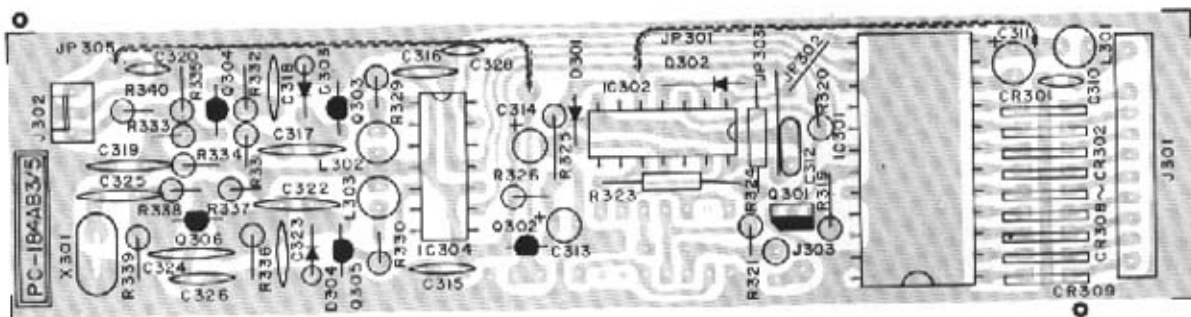
TX Younger Unit PC – 184X5/5



LOCAL Unit PC – 184 2/5

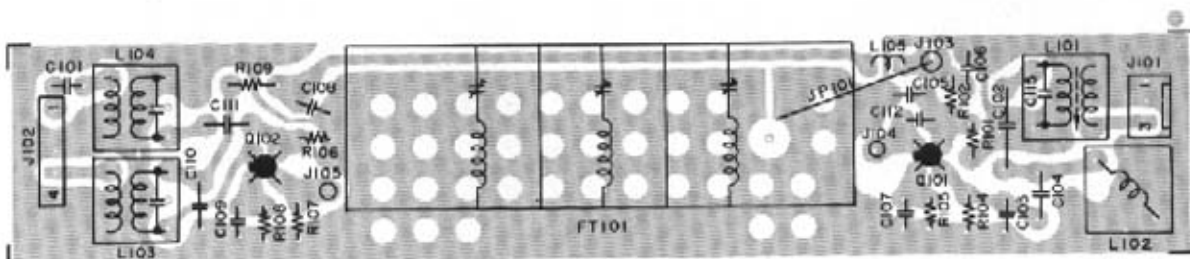
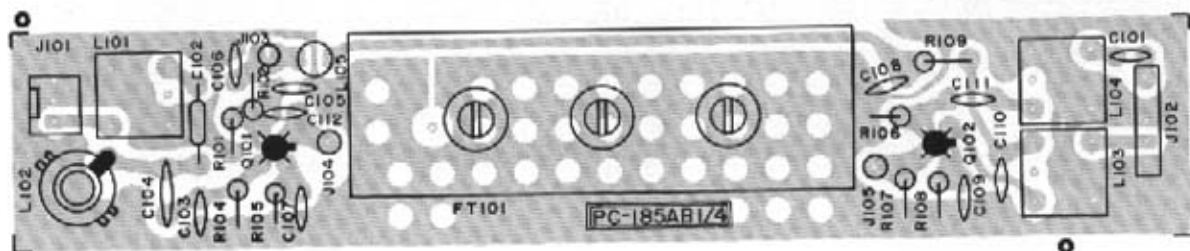


Counter Unit PC – 184 3/5

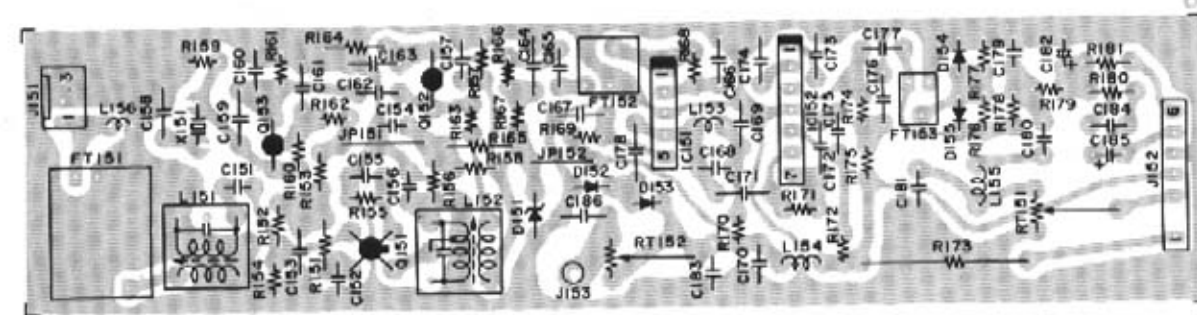
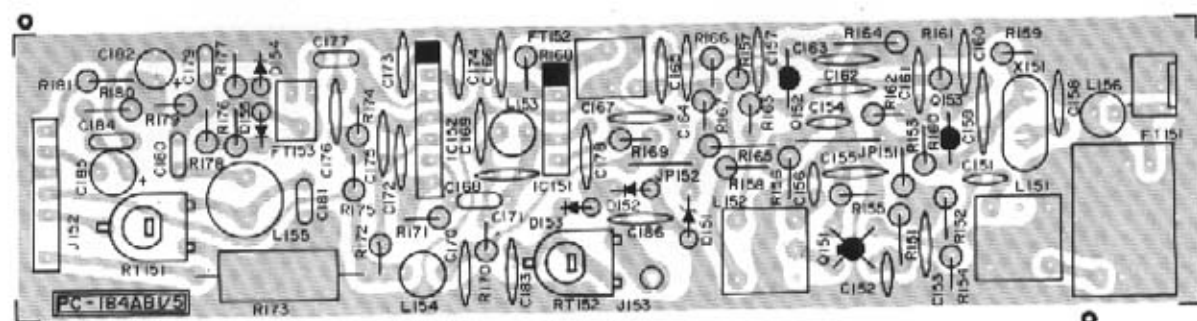


PRINTED CIRCUIT BOARD DETAIL

RF Unit PC - 185 1/4



IF Unit PC - 184 1/5



FET, TRANSISTOR & IC TERMINAL GUIDE

FET & TRANSISTOR CONNECTIONS



DSG



2SK68



DSG



2SK55



ECB



2SC458



ECB



2SC1675
2SA733
2SB544
2SD400



BCE



2SD313



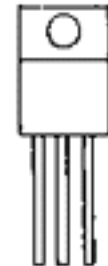
BCE



2SC763
2SC2053



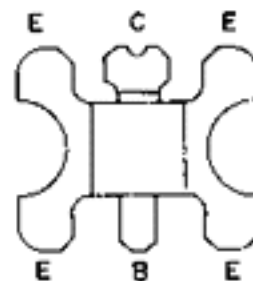
3SK45



BEC



2SC1971



2SC2237

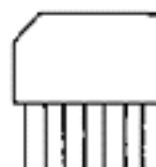
INTEGRATED CIRCUIT CONNECTIONS



2 3 1



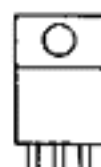
MC78L08CP



TA7061AP
TA7063P

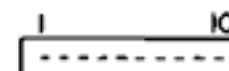
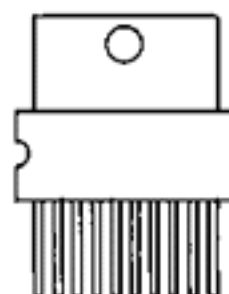


TA7060P

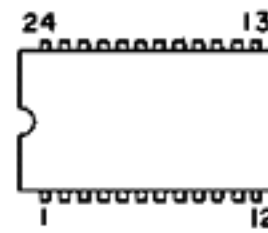


1 3 2

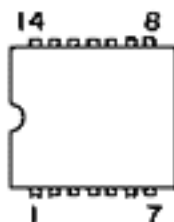
μPC143G05



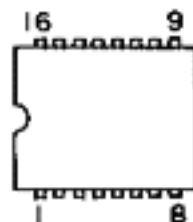
TA7204P



μPD857CW



μPC1008C
N7473A



N7447A

Bipolar Transistor

#	Name	B	E	C	Remarks
Q554	2SA733-P	12.9	13.8	13.8	Normal operating at Hi-power.
		13.8	13.8	3.3	Normal operating at Low-power.
		13.8	13.8	0	Controlled by APC or unlooked signal.
Q555	2SC458-C	5.8	5.3	13.2	Normal operating at Hi-power.
		1.0	0.6	13.8	Normal operating at Low-power.
		0	0	13.8	Controlled by APC or unlooked signal.
Q556	2SC458-C	0	0	5.8	Normal operating at Hi-power.
		0	0	1.0	Normal operating at Low-power.
		0.6	0	0	Controlled by APC or unlooked signal.
Q801	2SD313-E	13.8	11.2	13.8	Normal operating at Hi-power.
		3.3	2.5	13.8	Normal operating at Low-power.
		0	0	13.8	Controlled by APC or unlooked signal.

Linear IC

#	Name	Pin number									
		#1	#2	#3	#4	#5	#6	#7	#8	#9	#10
IC151	TA7060P	1.4	1.4	0	7.6	7.4	-	-	-	-	-
152	TA7061AP	1.8	1.8	5.7	0	7.1	1.6	1.7	-	-	-
201	TA7063P	1.3	0.6	0.1	0	0.7	5.2	8.0	-	-	-
202	TA7204P	0	6.3	13.8	7.7	1.3	11.3	13.1	6.3	6.2	4.6
351	MC78L08CP	13.8	7.4	0	-	-	-	-	-	-	-
352	TA7061AP	1.9	1.9	11.4	0	11.2	1.9	1.9	-	-	-
801	μPC143G05	13.8	4.9	0	-	-	-	-	-	-	-

Digital IC

IC302 μPC1008C		IC303 N7473A		IC651 N7447A		IC652 N7447A		IC653 N7447A		IC301 μPD857CW	
Pin		Pin		Pin		Pin		Pin		Pin	
1	0.1	1	2.3	1	4.9	1	0.4	1	0.4	1	0.4
2	4.0	2	-	2	4.9	2	0.4	2	0.4	2	0.4
3	2.3	3	-	3	-	3	-	3	-	3	0.4
4	4.0	4	4.8	4	-	4	-	4	-	4	0.4
5	4.6	5	2.4	5	-	5	-	5	-	5	0.4
6	-	6	-	6	0	6	0.4	6	0.4	6	0.4
7	0	7	-	7	0.5	7	0.4	7	0.4	7	0.4
8	-	8	-	8	0	8	0	8	0	8	0.4
9	-	9	1.8	9	0.1	9	0.1	9	0.1	9	0
10	1.3	10	4.8	10	0.1	10	0.1	10	0.1	10	0
11	4.0	11	0	11	0.1	11	0.1	11	0.1	11	4.8
12	-	12	-	12	0.3	12	0.1	12	0.1	12	4.8
13	4.0	13	1.8	13	0.3	13	0.1	13	0.1	13	0.1
14	4.8	14	-	14	0.1	14	0.3	14	0.3	14	0
				15	0.1	15	0.1	15	0.1	15	0
				16	4.9	16	4.9	16	4.9	16	-
										17	-
										18	1.8
										19	2.1
										20	0
										21	-
										22	-
										23	-
										24	-

VOLTAGE CHART

Dual Gate MOS-FET

#	Name	G1	G2	S	D	Remarks
Q101	3SK45-B	0	3.9	0.3	12.8	
102	do.	0	0	0.2	12.3	
151	do.	0.7	1.8	0.8	6.0	
256	do.	0	0	0.3	5.5	
355	do.	0	3.1	0	6.2	
356	do.	0	3.1	0.7	6.7	
401	do.	0	0	0.3	12.0	
402	do.	0	0	0.3	12.0	
403	do.	0	4.3	0	11.8	

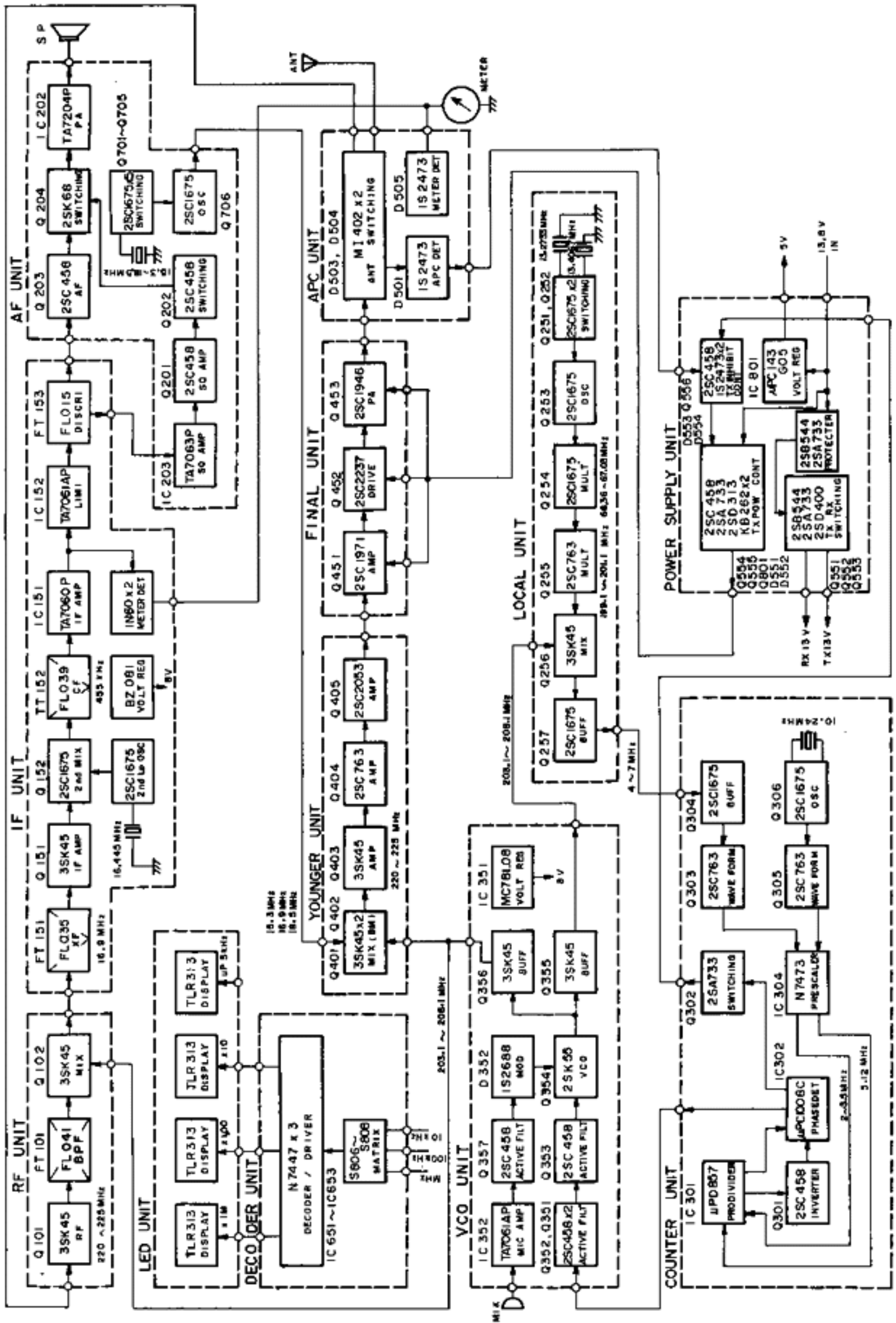
Bipolar Transistor & J-FET

#	Name	B/G	E/S	C/D	Remarks
Q152	2SC1675-L	1.9	1.3	11.5	
153	do.	3.0	2.7	6.6	
201	2SC458-C	1.0	0.5	5.5	
202	do.	0 (0.6)	0 (0)	1.3 (0)	() ; SQ Max.
203	do.	1.3	0.7	4.4	
204	2SK68	0 (3.2)	4.4 (0.5)	4.5 (4.3)	() : SQ Max.
253	2SC1675-L	3.5	3.3	7.3	
254	do.	2.2	2.6	7.1	
255	2SC763-C	1.3	1.3	7.2	
257	2SC1675-L	1.5	0.9	5.7	
301	2SC458-C	0.4	0	2.3	
302	2SA733-P	4.7	4.8	0	
303	2SC763-C	0.1	0	2.3	
304	2SC1675-L	1.4	0.9	1.8	
305	2SC763-C	0.1	0	2.4	
306	2SC1675-L	2.0	1.9	4.5	
351	2SC458-LGC	1.2	0.6	7.4	
352	do.	0.6	0	4.1	
353	do.	4.0	3.4	7.4	
354	2SK55-D	0	0.5	7.0	
357	2SC458-C	7.3	6.9	13.5	
404	2SC763-C	0.7	1.0	9.6	
405	2SC2053	-0.5	0	9.1	
451	2SC1971	-0.6	0	13.2	HI POWER TX
452	2SC2237	0	0	11.2	do.
453	2SC1946	0	0	13.2	do.
551	2SB544-E	13.5 (12.9)	13.5 (13.5)	0 (13.5)	() ; TX
552	2SA733-P	12.9 (13.5)	13.5 (13.5)	13.5 (0)	do.
553	2SD400-E	13.5 (0)	13.5 (0)	13.5 (13.5)	do.
557	2SA733-P	13.2	13.8	13.2	
558	2SB544-E	13.2	13.8	13.8	
706	2SC1675-L	6.0	5.6	13.5	

Note.

1. Data were measured at 223.00 MHz.
2. Data were measured by DC voltmeter 50K ohm/V, ±3%. (Unit=Volt)

BLOCK DIAGRAM



FREQUENCY CHART

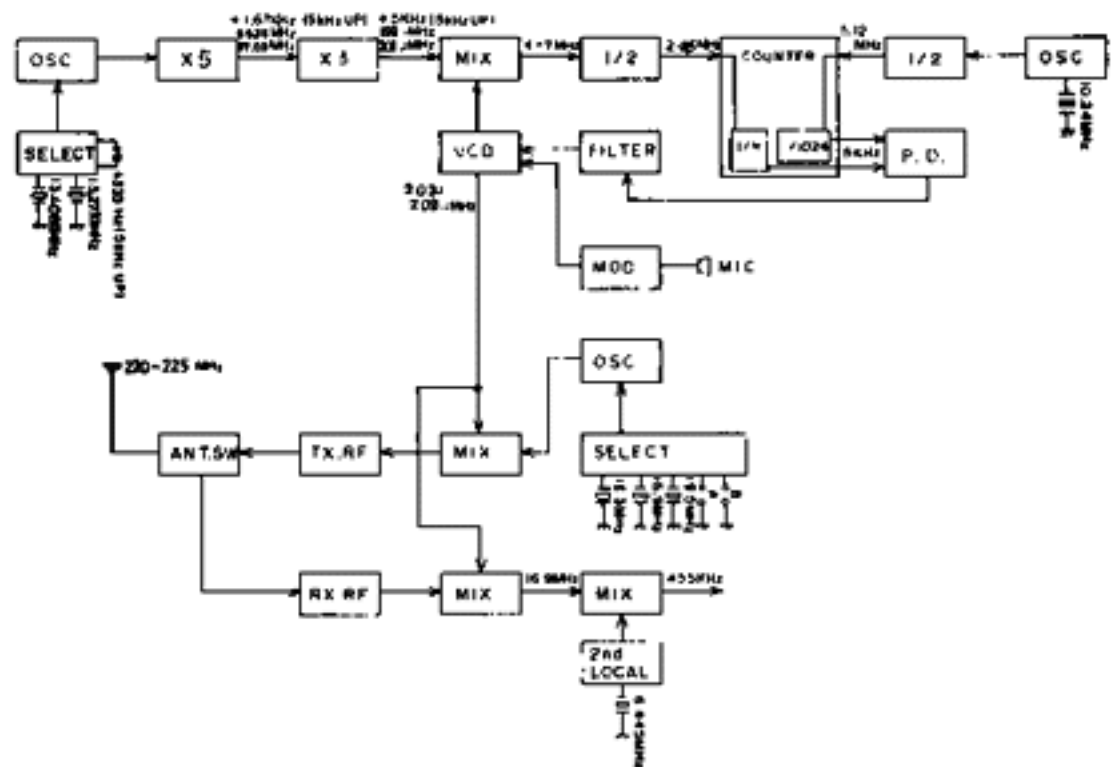
Channel Designator	Local Crystal Frequency	PLL IF Frequency	Divide Ratio [N]	Out put Frequency
<u>22[A] . [B] [C]</u>				
A=0 or 1	13.2733	[A+4] [B] [C] MHz	[A+4] [B] [C]	22[A].[B] [C] MHz -16.9 MHz
A-2 or 3 or 4	13.4066	[A+2] . [B] [C]	[A+2] [B] [C]	do.
<u>[A] . [B] [C] 5 .</u>				
A-0 or 1	13.2736	[A+4] . [B] [C]	[A+4] [B]	do.
A-2 or 3 or 4	13.4069	[A+2] . [B] [C]	[A+2] [B] [C]	do.

Channel Designator	Local Crystal Frequency	PLL IF Frequency	Divide Ratio [N]	Out put Frequency	
	+5 K			+5 K	
220.00 ? 220.99	13.273	4.000 ? 4.990	400 ? 499	203.100 ? 204.090	
221.00 ? 221.99		5.000 ? 5.990	500 ? 599	204.100 ? 205.090	
222.00 ? 222.99		+333 Hz	4.000 ? 4.990	400 ? 499	205.100 ? 206.090
223.00 ? 223.99			5.000 ? 5.990	500 ? 599	206.100 ? 207.090
224.00 ? 224.99			6.000 ? 6.990	600 ? 699	207.100 ? 208.090
			13.4066		

* Frequencies are in MHz.

BCD CODE

	A	B	C	D
0	0	0	0	0
1	1	0	0	0
2	0	1	0	0
3	1	1	0	0
4	0	0	1	0
5	1	0	1	0
6	0	1	1	0
7	1	1	1	0
8	0	0	0	1
9	1	0	0	1



- g) Feed the output power of feed through dummy load to the spectrum analyzer through the RF attenuator.
- h) Connect J502 (APC output in APC unit) to the DC volt meter.
- i) Repeat the following adjustments several times respectively.
(Set the channel to the SIMPLEX of 222.500 MHz)
 - i-1) Adjust RT551 for 20 watts on RF power meter.
 - i-2) Adjust CT501 and RT501 for the minimum swing on DC volt meter.
 - i-3) Adjust CT452, CT453 and CT454 for the maximum power on the RF power meter.
 - i-4) Adjust RT502 for the middle reading of Red mark on S/RF PWR meter of the unit.
- j) Adjust CT701 and set the frequency to the 222.500 MHz.
- k) Press the REPEATER-SIMPLEX switch and set the TX OFFSET switch to the -1.6 position, and adjust CT702 for the 220.900 MHz.
- l) Set the TX OFFSET switch to the +1.6 position and adjust CT703 for the 224.100 MHz.
- m) Set in the MID-HI-LOW switch to the LOW position and adjust RT552 for 2.0W on RF power meter.
- n) Feed AF 1KHz 100mV from the microphone connector and adjust RT 351 for 5 KHz on FM linear detector.
- o) Feed the AF signal to the pin No. 5 and 6 (Ground) in the accessory jack and check if the modulation is activated.
- p) Remove the RF power meter from the antenna connector and adjust RT553 for 2.0 amperes on the 13.8V power source meter.
- q) Again, connect the RF power meter to the antenna connector and just adjust CT454 to minimize the power difference during 220 to 224.900 MHz.

7.4.2 Set-up:

a) Initial front panel controls should be set in the following manner:

* POWER SWITCH (Off-volume)	:	Off
* MID—HI—LOW SWITCH	:	HI Position
* REPEATER-SIMPLEX SWITCH	:	Simplex
* OTHER SWITCHES	:	Any position

b) Connect the power cable to the 13.8V DC power source.

c) Connect the power meter to the antenna terminal.

d) Connect the FM linear detector and the frequency counter.

e) Connect the TX switch, the AF oscillator and the VTVM to the microphone connector (Mike connector pin No. 1 – Audio, 2 & 3 – Ground, 4 – PTT.).

7.4.3 Procedure:

a) Before the power switch is on, make the preliminary adjustment as follows:

a-1) Adjust L401 through L407 so that the core enters about 1.2mm below the can.

a-2) Turn the semi-fixed resistors as follows:

RT552 and RT553	:	Fully clockwise
RT351, RT551 and RT502	:	Fully counterclockwise
RT401 and RT501	:	Middle position

a-3) Set the trimmer CT401, CT402, CT451, CT452, CT453, CT454 and CT501 at the position of half capacitance.

b) Turn on the power switch and set the channel to the 222.500MHz.

c) Keep the unit in TX with the microphone or the TX switch and adjust L401 through L406 for the maximum voltage at the TP401.

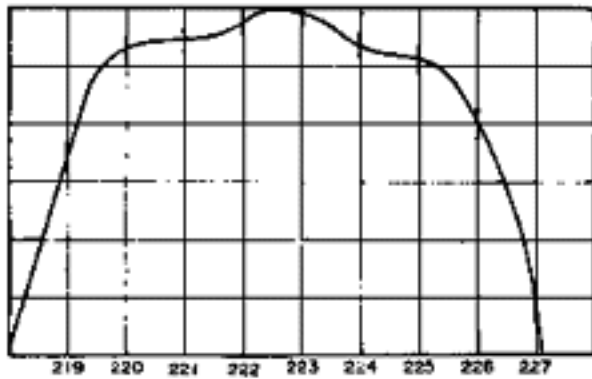
d) Adjust L407, CT401 and CT402 for the maximum reading on the RF power meter.

e) Adjust CT451, CT452 and CT453 for the maximum reading on the RF power meter.

f) Repeat the above step c) through e) adjustments repeatedly.

7.3.3 Procedure:

- a) Apply power to the unit and turn on power switch.
- b) Adjust L101, L102 and FT101 to obtain a wave form as illustrated below on the following measurement conditions.



- * Input level 5.6mV rms
- * Marker Increment by 1 MHz
- * Center frequency 222.500 MHz
- * Oscilloscope x 1 range (max.)

- c) Then, detach the sweep generator and remove the cable from the top of Q102 in RF unit, and connect the signal generator (222.500 MHz, 3.3 KHz deviation at AF 1 KHz) with the antenna terminal and also connect again J351 in VCO unit.
- d) Increase the power of the signal generator for one third reading of indicator on the S-Meter scale and adjust L103, L104, L151 and L152 several times respectively for the peak power.
- e) Adjust the signal generator for the 60dB input and adjust RT152 to make the meter indicator stay at the center position between the full-scale point and the maximum point.
- f) Keep the squelch control at the tight position and obtain the 4 dB output of the signal generator, and adjust RT151 for no AF output power.

7.4 TRANSMITTER

7.4.1 Equipment Required:

- a) 13.8VDC power source (8A)
- b) RF power meter (Bird Watt Meter 50W 230MHz)
- c) Frequency Counter (More than 250MHz)
- d) FM Linear detector
- e) AF distortion meter
- f) VTVM
- g) AF oscillator
- h) Spectrum analyzer (1.2G Hz)
- i) Microphone or TX Switch
- j) DC volt meter
- k) Feed through dummy load (more than 30 watts)
- l) RF attenuator

2) Measure and adjust frequency on following channels.

- * 220.005 MHz : f=203.105 MHz..... CT254
- * 220.000 MHz : f=203.100 MHz..... CT251
- * 224.005 MHz : f=207.105 MHz..... CT253
- * 224.000 MHz : f=207.100 MHz..... CT252

Note: Repeat the procedures 220.005 MHz, 220.000 MHz and 224.005 MHz, 224.000 MHz respectively.

h) Adjust L352 for 6.0 ± 0.2 Volts on TP351 by VTVM at the frequency of 224.990 MHz.

7.3 RECEIVER

7.3.1 Equipment Required:

- a) 13.8VDC Power Source (3A)
- b) VHF Sweep generator and all accessories
- c) Signal generator (220 – 225 MHz)
- d) AF measurement equipments –4 ohm dummy load
V.T.V.M.
Oscilloscope
Distortion Meter
- e) DC Volt Meter

7.3.2 Set-up:

- a) Initial front panel controls should be set in the following manner :
 - * POWER SWITCH (Off-volume) : Off
 - * SQUELCH CONTROL : Fully counterclockwise
 - * OTHER SWITCHES : Any position

Connect the power cable to the 13.8VDC power source.

- c) Connect all of AF measurement equipments (See 7.3.1 – d) to external speaker jack.
- d) Connect the top of Q102 in RF unit to the RF input of sweep generator.
- e) Adjust the Helical Resonator FT101, but be sure to detach J351 in VCO unit.

7.2.2 Set-up:

a) Initial front panel controls should be set in the following manner:

- * POWER SWITCH (OFF–Volume) : Off
- * 10KHz & 100KHz SELECTOR SWITCH : Any position
- * BAND MHz SELECTOR SWITCH : Any position
- * 5 KHz SWITCH : Either position
- * REPEATER-SIMPLEX SWITCH : Simplex
- * TX OFFSET SWITCH : Any position
- * MID-HI-LOW SWITCH : Either position

b) Connect the power cable to the 13.8VDC power source.

c) In the VCO unit.

c-1) Remove the wire of either J353 or J303

c-2) Remove the connector plug of J352 and connect to Synchroscope using coaxial cable with 2-P connector to be fitted to the terminals, 6 (HOT) and 7 (GROUND).

c-3) Connect VTVM and 200K ohm variable resistor to TP351 as described below:

7.2.3 Procedure:

a) Apply power to the unit.

b) Adjust 200K ohm variable resistor connected to TP351 for 6.0 Volt VTVM reading and L352 for $208.1\text{MHz} \pm 0.2\text{MHz}$ frequency counter reading.

c) Adjust 200Kohm variable resistor for $205.6\text{MHz} \pm 0.2\text{MHz}$ frequency counter reading and L354 for maximum synchroscope amplitude.

d) Remove the connector for J352 6 and 7 and reconnect it to J352 4 and 5. Then, adjust L353 for maximum.

e) Connect TP251 to 10 : 1 probe of synchroscope and adjust L253 and 254 for maximum synchroscope amplitude, and also adjust them so as to be within 20% of amplitude difference in case 221 and 222MHz bands are switched over each other.

f) As for TP-252, adjust L255 and 256, the same to above.

g) Conduct frequency adjustment in the following manner:

1) Connect frequency counter to the plug (PIN1) of J401.

6.3.3 VCO Unit: The difference output from the counter unit passes through the active low pass filter (Q351 through Q353), and goes into the VCO D351 and Q354, and controls the VCO frequency. The output of the VCO is amplified by Q356, and fed into the local unit PLL mixer Q256. On the other hand, the output of the VCO is also amplified by Q355, which produces the local frequency for both transmit and receive.

6.3.4 Display Unit: The desired BCD code is selected by the channel selector, and decoded by IC651 through IC653, and it drives the LED display.

6.4 POWER SUPPLY CIRCUIT

13.8V DC input from the power connector is selected for transmit and receive by switching transistor Q551 through Q553. Q557 and Q558 are worked as protector circuit. When the excessive power happens to be supplied in transmit or receive, Q558 is automatically cut off and protects the circuits from the damage. IC801 is used for a 5V regulator for the TTL and C-MOS. Q554, Q555 and Q801 regulate the final unit as high-low power controller. D553, D554 and Q556 are activated by APC unit, and unlock signal of the counter unit, and regulate Q555 to shut down the transmit power.

SECTION 7. ALIGNMENT PROCEDURE

7.1 GENERAL

THE 13-513 HAS BEEN FACTORY ALIGNED USING TECHNIQUES AND TEST EQUIPMENTS NOT NORMALLY AVAILABLE TO THE SERVICE TECHNICIAN. IT SHOULD NOT BE NECESSARY TO PERFORM ANY ALIGNMENT ON THE UNIT AS RECEIVED FROM THE FACTORY. IN THE EVENT OF COMPONENT FAILURE, ANY REALIGNMENT WILL BE MINIMAL. IF IT APPEARS THAT ANY LARGE DEGREE OF REALIGNMENT IS REQUIRED, THOROUGHLY CHECK THE REPLACEMENT COMPONENT BEFORE PROCEEDING.

7.2 PHASE LOCKED LOOP CIRCUIT

7.2.1 Equipment Required:

- a) 13.8V DC Power Source (3A).
- b) Synchroscope (DC to more than 250 MHz)
- c) Frequency Counter (More than 250 MHz)

SECTION 6. CIRCUIT DESCRIPTION

6.1 RECEIVER CIRCUIT

- 6.1.1 RF Unit:** Signal from the antenna connector passes through the dual-tuned band pass filter, and is amplified by Q101, and fed into FT101 a 3-section helical resonator. The signal is then mixed with signal from the VCO unit by Q102 first mixer, and produces first IF 16.9MHz.
- 6.1.2 IF Unit:** Signal from the RF unit passes through FT151 3-section monolithic crystal filter, and is amplified by Q151 first IF AMP, and is mixed with signal from Q153, 16.445 MHz. Second IF passes through FT152 ceramic filter, and is limited in amplification by IC151 and 152. The AF signal is detected by FT153 ceramic discriminator, and fed into the AF unit.
- 6.1.3 AF Unit:** AF signal from the IF unit is amplified by Q203 and IC202, and drives the speaker, while noise signal from the IF unit is amplified by IC201 and Q201, and detected by D201 and D202, and drives switching transistor. Q202 and Q204 controls Q203 AF amplifier and activates squelch.

6.2 TRANSMITTER CIRCUIT

Tx Younger Unit: Signal from the VCO and Signal which is selected from X701 to X705 and oscillated by Q706 in IF unit are mixed with balanced mixer Q401 and Q402, and produce mixer output in the 220 MHz band. That signal is then amplified by Q403, Q404 and Q405, and drives the final unit.

- 6.2.2 Final Unit and APC Unit:** Output from the transmit Younger unit is amplified by Q451, Q452 and Q453 into a 20 watt output which is supplied into the APC unit. Signal from the final unit passes through the SWR bridge, diode switch D503 and D504, and also passes through 3-section low pass filter, and produces 20 watts output which is supplied into the APC unit.

6.3 PHASE LOCKED LOOP CIRCUIT

- 6.3.1 Local Unit:** Crystals X251 and X252 are selected by switching transistors Q251 and Q252, and are oscillated by Q253. Oscillation output is multiplied Five times by Q254, and again multiplied three time by Q255, and then it is fed into PLL mixer Q256. Simultaneously fed into Q256 is the output of VCO unit, and PLL IF (4.000 – 6.995 MHz) is produced.
- 6.3.2 Counter Unit:** The PLL IF is amplified by Q304 and then generated by Q303 and fed into IC304. This signal is divided in half by IC304. It is then program-divided by IC301 to produce an output of 25 KHz. On the other hand, X301(10.24 MHz) is oscillated by Q306, and fed into IC304 through driver Q305. Here again, the signal frequency is divided in half by IC304, and fed into IC301, where the output of 1/1024 (5 KHz) is produced.

5.3.2 Carefully adjust the squelch control clockwise until the audio noise just disappears. This is the proper squelch threshold setting and must be done when no signal is present. Your transceiver will now remain silent until an incoming signal is received which opens the squelch. If the squelch is unstable due to the reception of weak or unstable stations, adjust the squelch control further until the proper threshold is obtained.

5.3.3 The S meter indicates the signal strength of the incoming stations and is calibrated in S units. An input signal of approximately 5μ V will provide an S9 reading.

5.4 TRANSMITTER

The operation of the transmitter and receiver is controlled by the push-to-talk switch located on the side of the microphone. When depressed, the transmitter is placed into operation and the receiver becomes inoperative. When released, the receiver is automatically restored to operation and, at the same time, the transmitter becomes inoperative.

5.4.1 Place the REPEATER/SIMPLEX switch in either the REPEATER or SIMPLEX position at your desire. In the REPEATER position, TX OFFSET switch activates. In the -1.6 position on TX OFFSET switch, the transceiver transmits at the frequency of -1.6 MHz than Receiver frequency and in the +1.6 position, the transceiver transmits at the frequency of +1.6 MHz.

5.4.2 Place the MID-HI-LOW power switch at your desired power position. In the HI position, the transceiver operates at 20 watts power output level. In the MID position, the transceiver operates at 10 watts of power level. And in the LOW position, it operates at 2 watts of power level. When using the transceiver as a driver or exciter for a linear amplifier the MID-HI-LOW power switch can be set to the LOW power position and the power output adjusted as described in the Transmitter Alignment Procedure SECTION 7.4.3.(m). This will provide the required amount of drive for the linear amplifier without wasting power in swamping resistors, etc.

5.4.3 When pushing the PTT (push-to-talk) button on the microphone, The TX INDICATOR LIGHT is illuminated and the METER provides an indication of relative power output of the transmitter. The pointer will be on or near the red mark on the meter scale when on high power and just a little over one on low power.

NOTE: Do not attempt to transmit unless your antenna is properly connected.

4.2.1 ANTENNA CONNECTOR: Accepts standard PL-259 coaxial connector.

Note: Some transceivers may come with a metric threaded connector. If this is the case, a mating metric PL-259 is supplied also. Most PL-259 connectors will mate satisfactorily if care is taken to seat them properly. If you have difficulty, try a different make of PL-259.

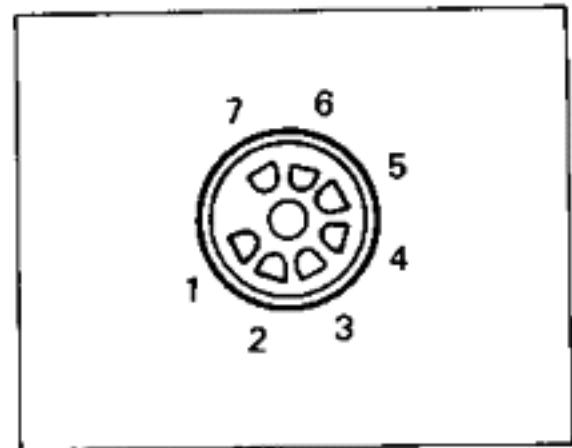
4.2.2 POWER CONNECTOR: For use with supplied power cord.

4.2.3. EXTERNAL SPEAKER JACK: This jack mates with the accessory Ext. Speaker plug supplied for external 4 ohm speaker on headset use. The use of this jack will disable the internal speaker.

4.2.4. ACCESSORY JACK: Accepts accessory 7 prong plug supplied for tone-burst and discriminator meter.

It would have as connections.

1. Blank
2. Transmit keyed 12 VDC positive
3. Discriminator meter connection
4. Ground
5. Tone audio input (10 mV)
6. Ground
7. Blank



SECTION 5. OPERATING INSTRUCTIONS

5.1 INITIAL PREPARATIONS

5.1.1 Connect the microphone to the microphone jack.

5.1.2 Connect the antenna to the antenna coax connector. Make sure the coax line is of the correct impedance (50 ohms) and is neither shorted nor open circuited.

5.1.3 Make sure the volume control is in the off position and the squelch control is in the maximum counterclockwise position. The red lead should be connected to the positive side of the power source and the black lead to the negative side. In the event that these leads are improperly connected, the 13-513 will not function. No damage will be incurred since protection is provided in the 13-513 for this purpose.

5.2 OPERATION

5.2.1 Rotate the volume control clockwise a few degrees until the switch snaps into the ON position, and LED frequency display on the channel window and S/RF meter will be illuminated.

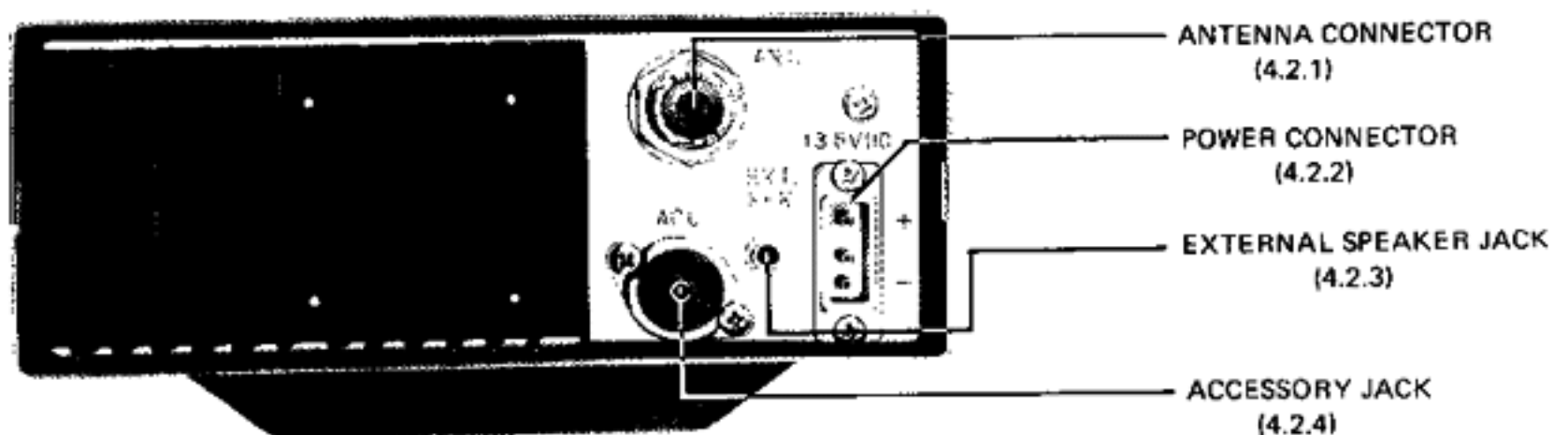
5.2.2 Adjust BAND MHz, 100kHz and 10kHz selector switches to the desired frequency.

5.3 RECEIVER

5.3.1 Advance the volume control to the desired audio level.

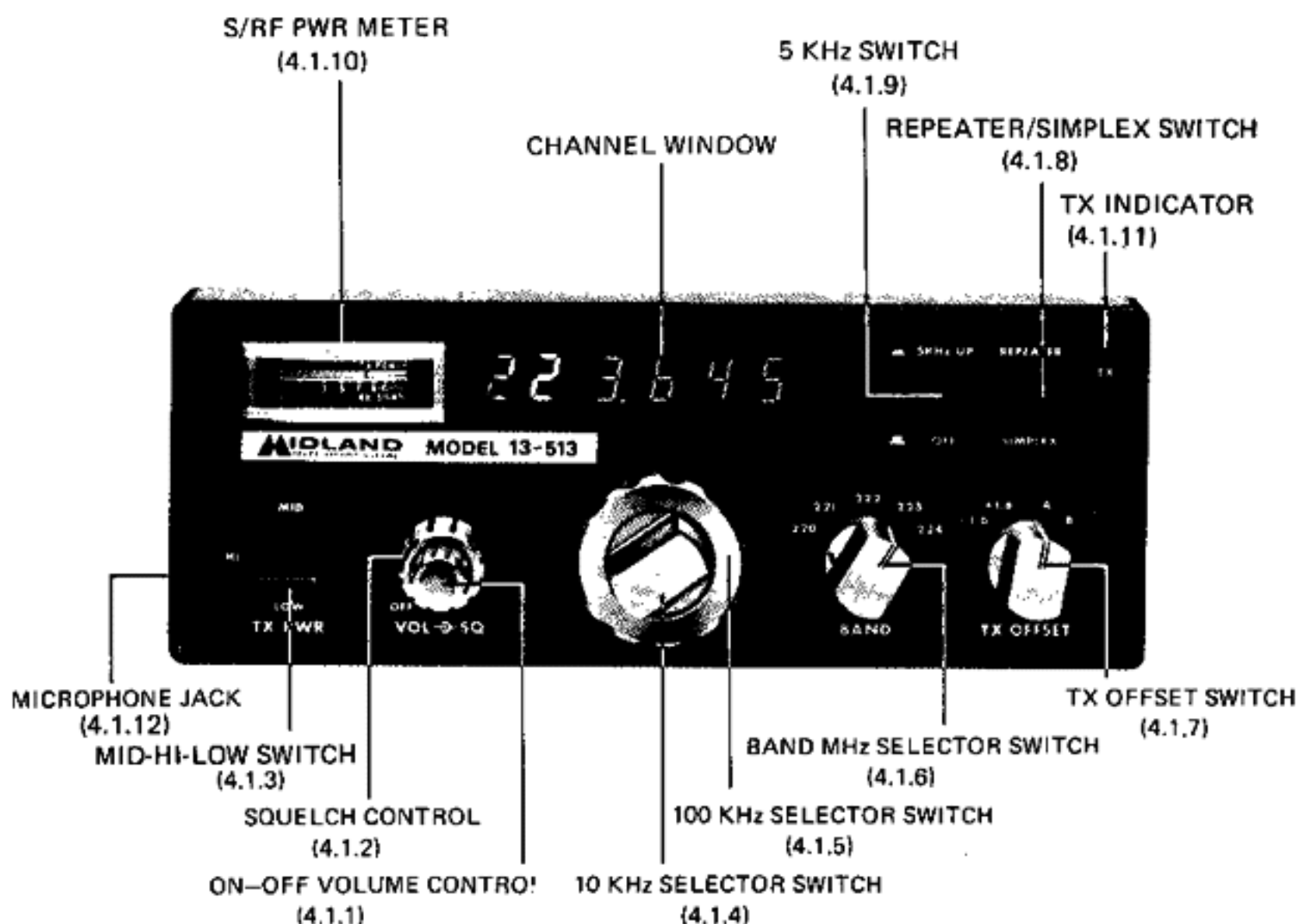
- 4.1.6 BAND MHz SELECTOR SWITCH:** This five position rotary switch selects the desired frequency digit on MHz from 0 to 4 and simultaneously activates LED display on the channel window. Note that the digits "22" are fixed and back-lighted when the power is "ON".
- 4.1.7 TX OFFSET SWITCH:** In the REPEATER position on REPEATER/SIMPLEX switch, this switch activates and is used for Repeater operation and different frequency operation. "-1.6" position shifts Transmit frequency by -1.6 MHz against Receiver frequency. Note, in this case, that the frequency on the LED display coincide Receiver frequency. Also, "+1.6" position shifts Transmit frequency by +1.6 MHz against Receiver frequency. "A" and "B" positions make it possible to set optional shifting frequencies by putting additional crystals. The following is computation of additional crystal frequency:
- 16.900 MHz \pm desired shifting frequency = crystal frequency
 Ex: In case of "-800 KHz" of shifting frequency.
 16.900 MHz - 800 KHz = 16.100 MHz (crystal frequency)
- 4.1.8 REPEATER/SIMPLEX SWITCH:**
 "REPEATER" position: The unit is set to REPEATER operating which activates TX OFFSET SWITCH.
 "SIMPLEX" position: The unit is set to SIMPLEX operation which communicates on the same frequency of Transmit and Receive.
- 4.1.9 5 KHz SWITCH:** This switch increases operating frequency by 5 KHz and simultaneously activates LED display on the channel window.
- 4.1.10 S/RF PWR METER:** Shows field strength of the signal when receiving and relative transmitter RF output power, when transmitting.
- 4.1.11 TX INDICATOR LIGHT:** Lights brightly when transmitting.
- 4.1.12 MICROPHONE JACK:** Accepts 4 prong mike plug supplied on microphone.

4.2 REAR PANEL CONTROLS



SECTION 4. CONTROL FUNCTIONS

4.1 FRONT PANEL CONTROLS



- 4.1.1 ON-OFF/VOLUME CONTROL:** Applies power to the unit and adjusts desired level of sound.
- 4.1.2 SQUELCH CONTROL:** Silences background noise in the absence of a received signal when properly adjusted.
- 4.1.3 MID-HI-LOW SWITCH:**
"LOW" position: transmitter is powered at the 2 watts level
"MID" position: transmitter is powered at the 10 watts level
"HIGH" position: transmitter is powered at the 20 watts level
- 4.1.4 10 KHz SELECTOR SWITCH:** The inner switch selects the desired frequency digit on 10 KHz from 0 to 9 and simultaneously activates LED display on the channel window.
- 4.1.5 100 KHz SELECTOR SWITCH:** The outer switch selects the desired frequency digit on 100 KHz from 0 to 9 and simultaneously activates LED display on the channel window.

3.4 Antenna:

The most important single item that will influence the performance of any communication system is the antenna. For that reason, a good, high-quality, gain antenna of 50 ohms impedance is recommended. When adjusting your antenna, whether mobile or fixed, by all means follow the manufacturer's instructions. There are some pitfalls to be aware of. For example, do not attempt to adjust an antenna for lowest VSWR when using a diode VSWR meter not engineered for VHF applications. Such readings will invariably have an error of 40% or more. Rather, use an in line watt meter similar to the Drake WV-4 or Bird Model 23 with VHF cartridge. Further, when adjusting a mobile antenna, do so with the motor running preferably above normal idling speed. This will insure proper voltage level to the transceiver.

Do not become alarmed if your transceiver fails to transmit at time during the antenna tune up procedure. Remember, your transceiver has a built-in Automatic Protection Circuit (APC) that will disable the transmitter if excessive VSWR, a short coaxial line or connector, or other antenna deficiency is present. A quick check on a good 50 ohm dummy load will show the transceiver to be working. The difficulty will lie with the antenna or its transmission line.

The RF coaxial connector on the rear chassis mates with a standard PL-259 connector.

3.5 Microphone:

A high quality dynamic microphone is supplied with your transceiver. Merely plug it into the proper receptacle on the side cabinet. Should you wish to use a different microphone, make certain it is of the low impedance type (600 ohms). Particular care should be exercised in wiring also, as the internal electronic switching system is dependant upon it. See the schematic for the proper hook up. Under no circumstances use a "gain pre-amp" type microphone. The audio system in your transceiver is more than adequate and additional pre-amplification is unnecessary. To use this class of microphone is to invite distortion and possible damage to the transceiver.

SECTION 3. INSTALLATION

3.1 Unpacking:

Carefully remove your transceiver from the packing carton and examine it for signs of shipping damage. Should any shipping damage be apparent, notify the delivering carrier or dealer immediately, stating the full extent of the damage. It is recommended you keep the shipping carton. In the event storage, moving, or reshipment becomes necessary, they come in handy. Accessory hardware, cables, etc., are packed with the transceiver. Make sure you have not overlooked anything.

3.2 Location:

Where you place the transceiver in your automobile is not critical and should be governed by convenience and accessibility entirely. Since the unit is so compact, many mobile possibilities present themselves. In general, the mobile mounting bracket will provide you with some guide as to placement. Any place where it can be mounted with metal screws, bolts, or pop-rivets will work. For base station operation, the bracket for desk-top use is useful.

3.3 Power Requirements:

The transceiver is supplied ready to operate from any regulated 13.8V DC, 6.0 ampere negative ground source. An automobile, 12 volt, negative ground, system is usually more than adequate. Some note must be taken, however, to the condition of the vehicle's electrical system. Problems such as low battery, worn generator/alternator, poor voltage regulator, etc., will impair operation of your transceiver as well as the vehicle.

High noise generation or low voltage delivery can be traced to these deficiencies. If an AC power supply is used with your transceiver, make certain it is adequately regulated for both voltage and current. Low voltage while under load will not produce satisfactory results from your transceiver. Receiver gain and transmitter output will be greatly impaired.

Caution: Excessive Voltage (above 16VDC) will cause damage to your transceiver. Be sure to check the source voltage before connecting the power cord.

Included with your transceiver is a DC power cable. The red wire is positive (+), and the black wire is negative (-). If your mobile installation permits, it is best to connect these directly to the battery terminals. This arrangement eliminates random noise and transient spikes sometimes found springing from automotive accessory wiring. If such an arrangement is not possible, then any convenient B+ lead in the interior of the vehicle and the negative frame can be utilized. Your transceiver provides an internal DC filter that will take out the large amount of transient difficulties anyway. Remember, the unit operates on a negative ground system only-it cannot be used in a positive ground automobile.

Audio output impedance	4 ~ 8 ohms
Frequency Controls	PLL (VCO) 203.1 MHz to 208.1 MHz, No Dubbing

ACCESSORIES

The following accessories for the model 13-513 are included.

1) Microphone (dynamic type)	1
2) Microphone hanger	1
3) Spare fuse (6A)	1
4) Mounting bracket	1
5) Instruction manual	1
6) Product information card	1
7) EXT Speaker plug	1
8) Accessory plug	1

SECTION 2. GENERAL INFORMATION

The 13-513 is a sophisticated solid state amateur radio transceiver employing phase Locked Loop circuitry. Operating on full 220 MHz bands between 220 to 225 MHz, this unit offers many advanced, modern features. Its entire construction is modular with all major electronic circuits built on separated circuits boards. The 13-513 includes many features found as extras on other transceivers. Included in the equipment are 20 watts RF output power on "HI" position, no channel crystals required, 1000 channels selectable for both transmit and receive in 5 KHz steps, LED frequency display, automatic repeater split with ± 1600 KHz transmit frequency shift for repeater operations. As other special feature, it provides an accessory of bracket for desk-top use, which makes the transceiver ideal for base station operation by using an external power supply, as well as mobile operation.

SECTION 1. SPECIFICATIONS

GENERAL

Frequency Coverage	220.00 to 225.00 MHz
Number of Transistors	Transistors.41 FET.11 IC13 Diodes35
Modulation Type	F3
Power Voltage	DC 13.8V ± 15% Negative ground
Current Drain	Transmit: Hi (20W) Average 6A Middle(10W) Average 4A Low(2W) Average 2A Receive Average 0.8A
Antenna Impedance	50 ohms
Size	2-3/5" (H) x 6-4/5" (W) x 9-3/5" (D)
Weight	3.0 kg, 6.6 lbs

TRANSMITTER

RF Power Output	Hi 20W Middle 10W Low 2W
Frequency Control	Phase Locked Loop (PLL)
Channels	1000 channels in 220 to 225 MHz (10 KHz steps +5 KHz shift up)
Repeater Operations	+1.6 MHz or -1.6 MHz Transmitter shift
Frequency Deviation	Adjustable between 3 to 16 KHz Normal 5 KHz
Audio Input	600 ohms
Modulation System	Direct FM (Reactance)
Microphone	600 ohms — Dynamic microphone with push button switch

RECEIVER

Reception Frequencies	1000 channels in 220 to 225 MHz
Reception System	Double Superheterodyne
Intermediate Frequencies	1st I.F. 16.9 MHz 2nd I.F. 455 KHz
Sensitivity	(a) Better than 0.5 μ V 20 dB quieting (b) S+N/N at 0.3 μ V input 12dB or more
Spurious Response	-60dB
Squelch Threshold	Less than 0.3 μ V
Band Width	±7.5KHz at 6dB down
Selectivity	±15KHz at 70dB down
Audio output power	1.5W

PARTS LIST

REF. NO. DESCRIPTION

RESISTORS

All Resistors not shown on this parts list are carbon 1/4W, see schematic for specific values.

R-451	Carbon,	56 ohm	1/2W J
R-601,502	Carbon,	470 ohm	1/2W J
R-601	Carbon,	10K ohm	1/2W J
R-424	Carbon,	10 ohm	1/2W J
R-602	Carbon,	2.2K ohm	1/8W J
R-304	Carbon,	220 ohm	1/8W J
R-803,363	Carbon,	100 ohm	1/8W J
R-360,362	Carbon,	22K ohm	1/8W J
R-663	Carbon,	470 ohm	1/8W J
R-173	Solid,	82 ohm	1W J
R-551	Metalized Resistor,	330 ohm	2W J
RT-501	Semi-Fixed,	RV-182	500 ohm
RT-551,553	Semi-Fixed,	RV-182	5K ohm
RT-351	Semi-Fixed,	RV-182	10K ohm
RT-151,502,152	Semi-Fixed,	RV-182	50K ohm
RT-401	Semi-Fixed,	RV-189	300 ohm
RT-552	Semi-Fixed,	RV-182	1K ohm

CAPACITORS

All capacitors not shown on this parts list are ceramic, 50V, see schematic for specific values.

C-807,808,816	Feed through CZ-023	3pF
C-479,480,481,803,804,805,806,811,393	Feed through CZ-024	0.001pF
C-413	Minic,	0.47pF 500V K
C-407	Minic,	0.18pF 500V K
C-102	Minic IP,	500V K
C-213,551	Aluminium	0.1µF 25V
C-182	Aluminium,	0.22µF 16V
CR-301,302,303,304,305,306,307,308,309,310	C.R. Components,	HA-001
C-210,396	Electrolytic,	0.47µF 50V
C-185,225,385,557	Electrolytic,	1.00µF 50V
C-202,381,313	Electrolytic,	4.70µF 25V
C-201,211,212,214,219,311,355,382,383,563,566	Electrolytic,	10.00µF 16V
C-360	Electrolytic,	22.00µF 16V
C-314,368	Electrolytic,	33.00µF 16V
C-216,221,224	Electrolytic,	47.00µF 16V
C-352	Electrolytic,	100.00µF 16V
C-226	Electrolytic,	220.00µF 16V
C-552	Electrolytic,	470.00µF 16V
C-228	Electrolytic,	1000.00µF 16V
C-204	Mylar,	0.0022µF 50V K
C-177,178,181	Mylar,	0.001µF 50V K
C-171,180,184,203,207,208,220,359,362,388	Mylar,	0.01µF 50V K
C-217,357,358,361	Mylar,	0.022µF 50V K
C-380,389	Mylar,	0.033µF 50V
C-206,312,385,387	Mylar,	0.038µF 50V K
C-152,153,154,155,156,157,161,260,261,317,321	Ceramic,	0.01µF 25V Z YG
C-327,329	Ceramic,	0.1µF 25V
C-165,251,252,257,263,264,268,269,273,277,279,318,319,326,354,366,373,375,507,555,706,280,281,282,411,412,456,460,469,405	Ceramic,	0.022µF 25V Z YG
C-183,164,166,167,169,170,172,173,174,175,176,183,186,315,316,707	Ceramic,	0.039µF 25V Z YG
CT-451,452,453	Trimmer,	CV-024 10pF
CT-251,252,253,254,401,701,702,703,704,705	Trimmer,	CV-028 20pF
CT-454	Trimmer,	CV-037 25pF
CT-402,501	Trimmer,	CV-028 10pF
C-454,467	Tantalum,	10µF 25V

REF. NO. DESCRIPTION

CONNECTOR WAFER-ASS'Y

J-101,151,202,252,253,302,401,402,201	Wafer 5045-03A	3pin
J-102,251,403,554,652	Wafer 5048-04A	4pin
J-551	Wafer 5048-05A	5pin
J-553,653,152	Wafer 5048-06A	6pin
J-351,352,651	Wafer 5048-07A	7pin
J-701,552	Wafer 5048-08A	8pin
J-602	Wafer 5049-08A	8pin
J-301	Wafer 3022-11A	11pin
J-153,203,204,354,103	Terminal Pin,	TP-027
J-603	Wafer 3094-8A	8pin
J-601	Wafer 3094-9A	9pin

CONNECTOR HOUSING ASS'Y

P-102,251,403,554,652	Housing SD-5047-4
P-551	Housing SD-5047-5
P-152,553,653	Housing SD-5047-6
P-351,352,651	Housing SD-5047-7
P-552,701	Housing SD-5047-8
P-301	Housing SD-5047-10
P-101,151,202,252,201,263,302,401,402	Housing SD-5051-3
P-555,556	Housing SD-3021-3
P-153,203,204,354	Housing 1855TL
P-655	Housing SD-3021-2
P-556,556	Housing SD-3021-3

NOTE: When ordering parts, it is essential to specify the correct model number and serial number of the unit.