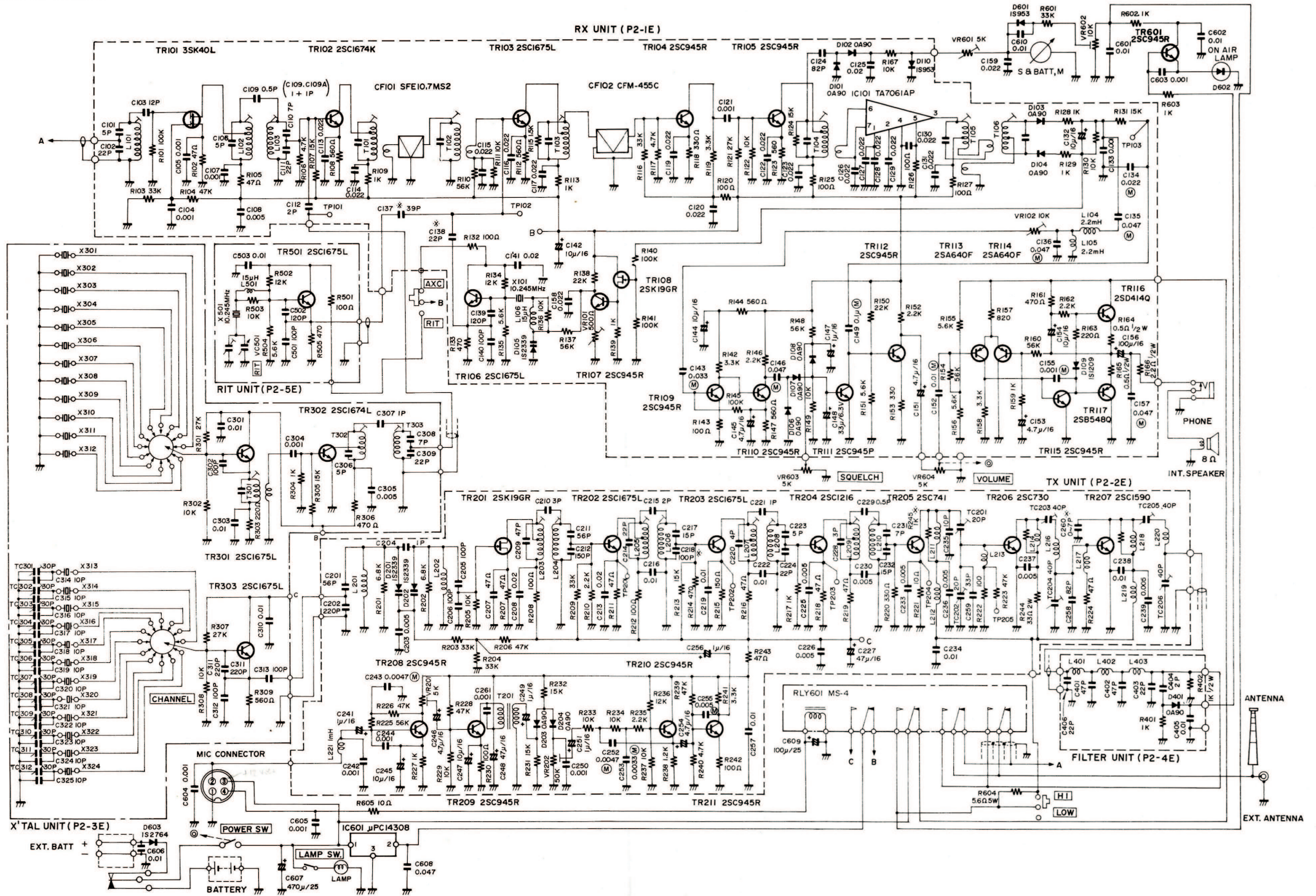


# Circuit Diagram



Note: Circuits and component values are subject to change with technical development.