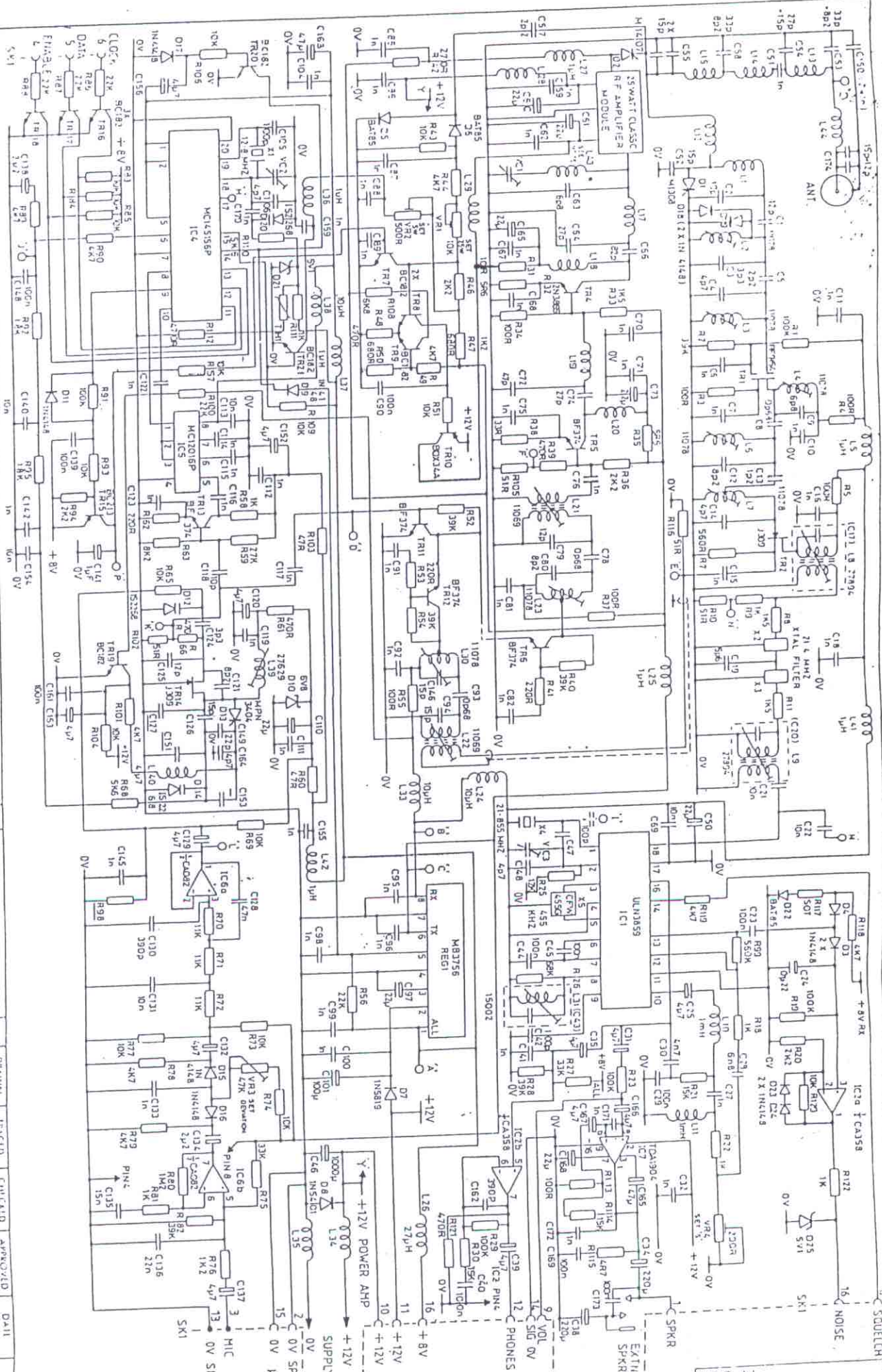


REV.	DESCRIPTION	CHK'D	APP'D	DATE

AMR1000/S BLOCK DIAGRAM

DRAWING No.	SCALE
E00908	

DRAWING	TRACKED	CHECKED	APPROVED	DATE	SCALE
				20-10-08	



DRG No

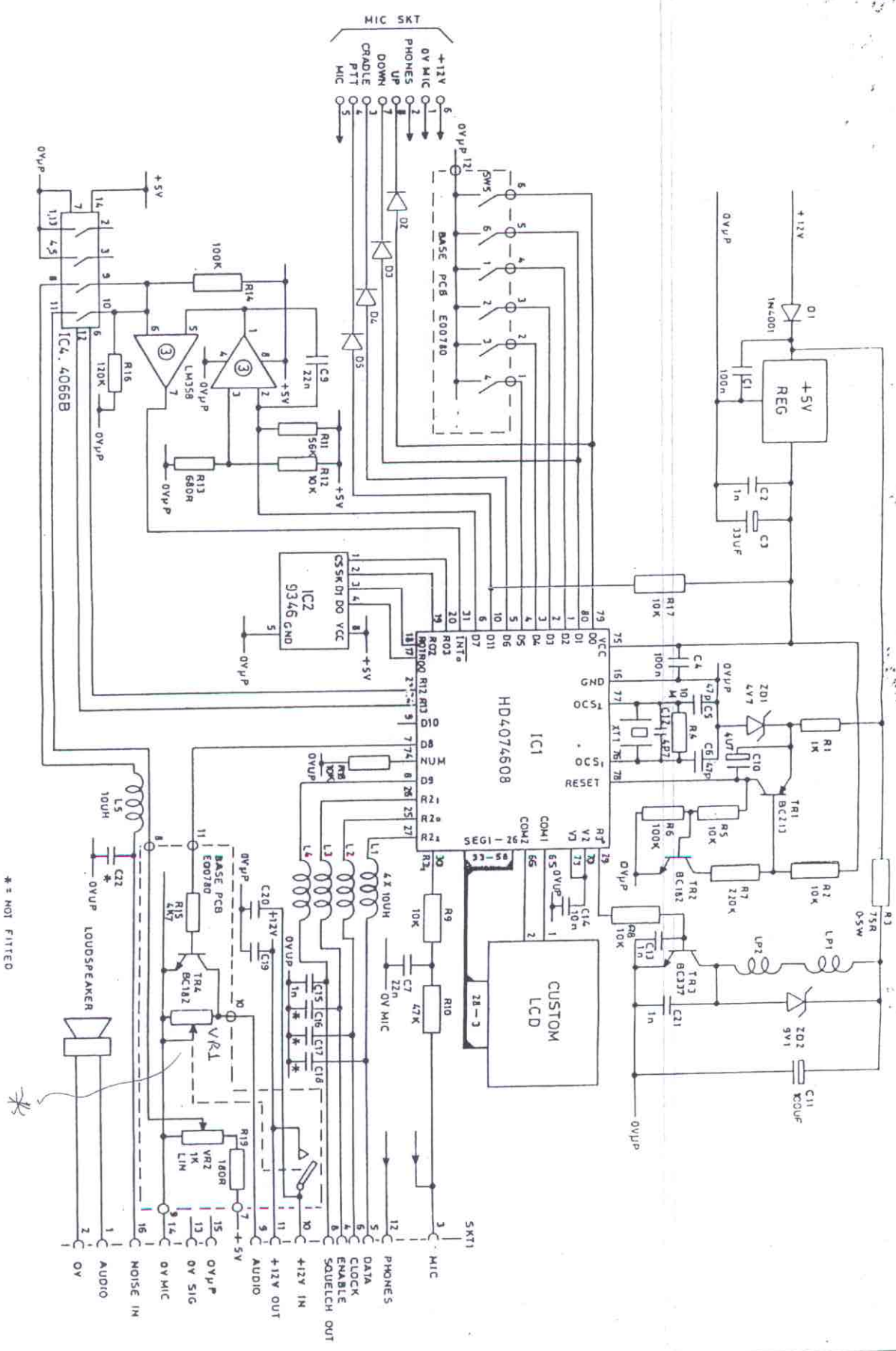
AMR1000(S)RX/TX P.C.B. CIRCUIT DIAGRAM

DRAWING No. E00946

No.	DESCRIPTION

NO.	DRAWING	FRACID	CHK/CAID	APP/VALD	DATE	SCALE

DRG No.



** = NOT FITTED

No.		DESCRIPTION		CHK D	APP D	DATE
REVISIONS						
AR1000 / AR1000S CONTROL CIRCUIT DIAGRAM						
DRAWN	TRACED	CHECKED	APPROVED	DATE		SCALE
R D F				12-12-88		
DRAWING No. E00779						