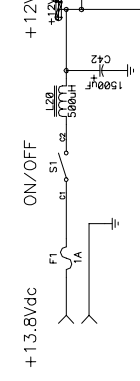


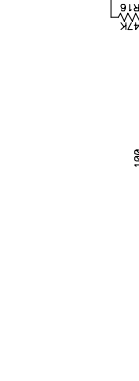
RAMSEY ELECTRONICS INC.	
Title	2m FM TRANSCEIVER
Size Number	FX-146
Rev	2.0
Date	08/21/95
Drawn by	TRH
Filename	146R2-0.S01
Sheet	1 of 1

NOTE: ONLY SIX OF THE TWELVE SWITCH POSITIONS ARE SHOWN HERE

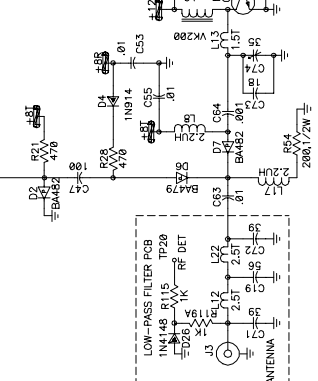
A



1

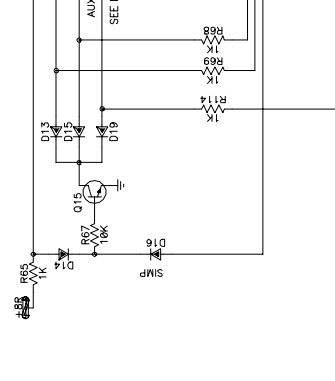


2

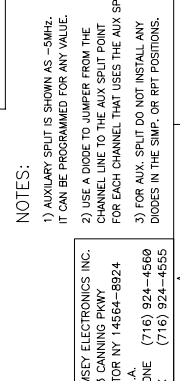


3

100K
14 PLACES



4



5

NOTES:
 1) AUXILIARY SPLIT IS SHOWN AS -5MHz. IT CAN BE PROGRAMMED FOR ANY VALUE.
 2) USE A DIODE TO JUMPER FROM THE CHANNEL LINE TO THE AUX SPLIT POINT FOR EACH CHANNEL THAT USES THE AUX SPLIT.
 3) FOR AUX. SPLIT DO NOT INSTALL ANY DIODES IN THE SIMP. OR RPT POSITIONS.

RAMSEY ELECTRONICS INC.
 793 CANNING PKWY
 VICTOR NY 14564-8924
 U.S.A.
 PHONE (716) 924-4560
 FAX (716) 924-4555

A