

INSTALLATION OPERATION AND MAINTENANCE



SILTRONIX MODEL 1011D

Downloaded by
RadioAmateur.EU

SILTRONIX
330 VIA EL CENTRO
OCEANSIDE, CALIFORNIA 92054

INTRODUCTION

The Siltronix Model 1011D Single Sideband Transceiver is designed to be used in SSB or AM modes in the 10-meter amateur radio band. In addition, the 1011D is also a tunable receiver in the CB band.

Power input exceeds 300 watts, P.E.P., on single sideband and 60 watts on AM. The Model 1011D includes automatic gain control (AGC), and automatic level control (ALC).

The internal AC power supply permits fixed station or portable operation wherever 117 volts, 50-60 Hertz is available.

Export models for 208-220-240 volts are available on special order.

For 12-14 volts DC operation in mobile, marine or portable applications, a DC converter unit, Model 14A is available. It attaches to the back of the 1011D in place of the AC power cord connector. Its dimensions are only 1-1/2 x 3 x 4 in.

The Model 1011D generates a single sideband signal by means of a crystal lattice filter, and the transceive operation automatically tunes the transmitter to the received frequency. Provisions are included in the transceiver for operation on either upper or lower sideband.

Two power receptacles on the rear panel provide 117VAC to accessory equipment. One of the recep-

tacles is connected through the front panel power switch and the other is connected directly to the line.

CAUTION

Accessory equipment must not be plugged into the accessory power receptacle of the 1011D when the model 14A, 12VDC power converter is in use. Damage to accessory equipment may result.

A digital frequency indicator, Model FD-1011, is available for use with the 1011D. This accessory is powered from the accessory receptacle of the 1011D and indicates the frequency, in megahertz, to which the transmitter or receiver is tuned, on an LED display having five, one-half inch high digits. Installation requires only that mating connectors be plugged into connectors on the rear panel of the 1011D marked "FD-1011 ACC." The FD-1011 may also be powered from 12VDC in mobile installations.

CAUTION

Refer to the Operation Section, Page 6, before applying power to the transceiver. Failure to follow the Preliminary Checks procedure, therein, will result in permanent damage to the Power Amplifier (P.A.) tube.

SPECIFICATIONS

FREQUENCY RANGES

28.5-29.0 MHz.
26.94-27.44 MHz. (Receive only)

POWER INPUT

Single Sideband, Suppressed Carrier:
300 watts, P.E.P. minimum

AM (Single Sideband with Carrier):
60 watts DC input

DISTORTION

Distortion products down approx. 30db.

UNWANTED SIDEBAND SUPPRESSION

Unwanted sideband down more than 50db.

CARRIER SUPPRESSION

Carrier suppression greater than 50db.

RECEIVER SENSITIVITY

Less than 0.5 microvolt at 50 ohms impedance for signal-plus-noise to noise ratio of 10db.

AUDIO OUTPUT AND RESPONSE

Audio output, 3 watts to 3.2 ohm load. Response essentially flat from 300 to 3000 Hz in both receive and transmit.

TRANSMITTER OUTPUT

Wide range Pi-network output matches resistive loads from 50 to 70 ohms.

METERING

Power amplifier cathode current 0-400 ma. on transmit, S-Meter 0-70db over S9 on receive. Relative output in TUNE mode.

FRONT PANEL CONTROLS

A.F. GAIN, R.F. GAIN, AM/Sideband Selector, Function Switch (REC.-TUNE), Meter Switch, Tuning Dial, Dial Set, SPOT Switch, ANL Switch, P.A. LOAD, P.A. TUNE, Band Switch, CARRIER INSERTION, PRESELECTOR Control, MIC. Jack, MIC GAIN Control.

SPECIFICATIONS (CONT'D)

REAR PANEL CONTROLS AND CONNECTIONS

P.A. BIAS Potentiometer, HEADPHONES Jack, Fuse Holder, Antenna Connector, Jones Plug Power Connector, S-Meter Zero Potentiometer, Two Accessory AC outlets, VFO Output (For FD-1011), and external relay connection (+ 12VDC on Transmit).

OTHER CONTROLS AND CONNECTIONS

Carrier Balance Control accessible through bottom cover.

VACUUM TUBE COMPLEMENT

V1	VFO Amplifier	12BA6
V2	Transmitter Mixer	12BE6
V3	Driver	6GK6
V4	Power Amplifier	8950
V5	Receiver RF Amplifier	6CB6A
V6	Receiver Mixer	12BE6
V7	First IF Amplifier	12BA6
V8	Second IF Amplifier	12BA6
V9	Product Detector/Receive Audio	12AX7

V10	AGC Amplifier/Rectifier	6AV6
V11	AF Output	6GW8
V13	Balanced Modulator	6JH8
V14	Microphone Amplifier	12AX7

TRANSISTOR COMPLEMENT

Q1	Oscillator	2N706
Q2	Buffer	2N5130
Q3	Carrier Oscillator	2N706

POWER REQUIREMENTS

117 VAC, 50-60 Hz at 4 amps, 12-14 volts DC operation with model 14-A converter unit plugged into back of 1011D. Current drain: 8 amps, receive mode, 12 amps average with voice modulation, 25 amps maximum in TUNE position.

DIMENSIONS

Height	5-1/2 in.
Width	13 in.
Depth	11 in.

WEIGHT

Weight	24 lbs.
--------	---------

INSTALLATION

GENERAL

The installation of the Siltronix 1011D is not at all difficult, and it involves only the placement of the transceiver in its operational area (fixed or mobile), connection of power (either 117 volts AC, or 12 volts DC), and the connection to an antenna. The following paragraphs are, therefore, devoted to the installation requirements involving microphones, fixed and mobile operation, and recommended antenna types. Before actual installation, be sure to check for possible shipment damage. Remove the cabinet (three screws on each side), and check to make sure that all tubes are firmly in place. Remove packing from around the P.A. tube. Replace cabinet.

FIXED INSTALLATION

Locate the 1011D in an area that is well ventilated and which provides complete operational freedom of the front panel controls. Connect the AC power cord to the 12 pin Jones connector on the rear panel. Plug the power cord into a standard 117 volt 50-60 Hz outlet having a capacity of at least 10 amps.

FIXED ANTENNA

A standard PL 259 coax connector plug will fit the antenna connector on the rear panel of the 1011D. For feed line runs up to 50 feet, RG58 or RG59 is recom-

mended. For longer runs, RG8 or RG11 produce less line loss, particularly on 10 meters.

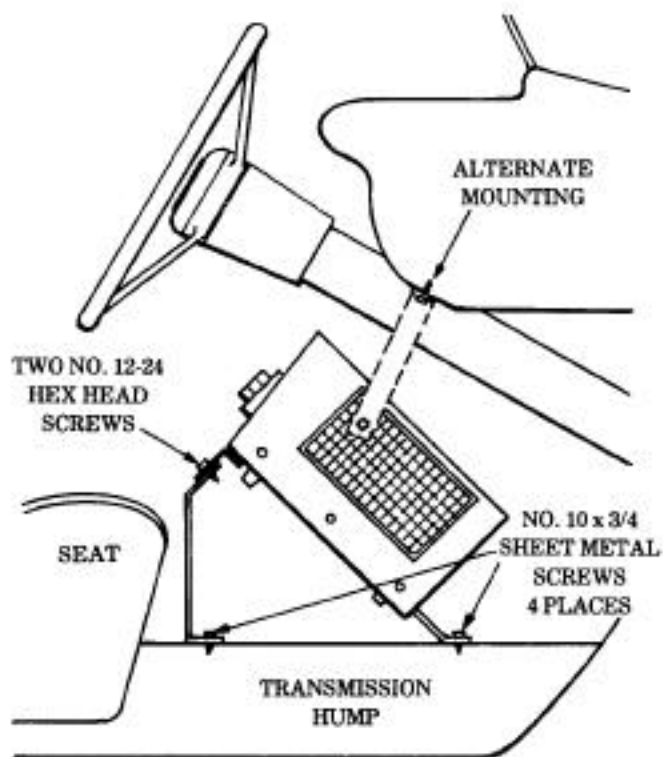
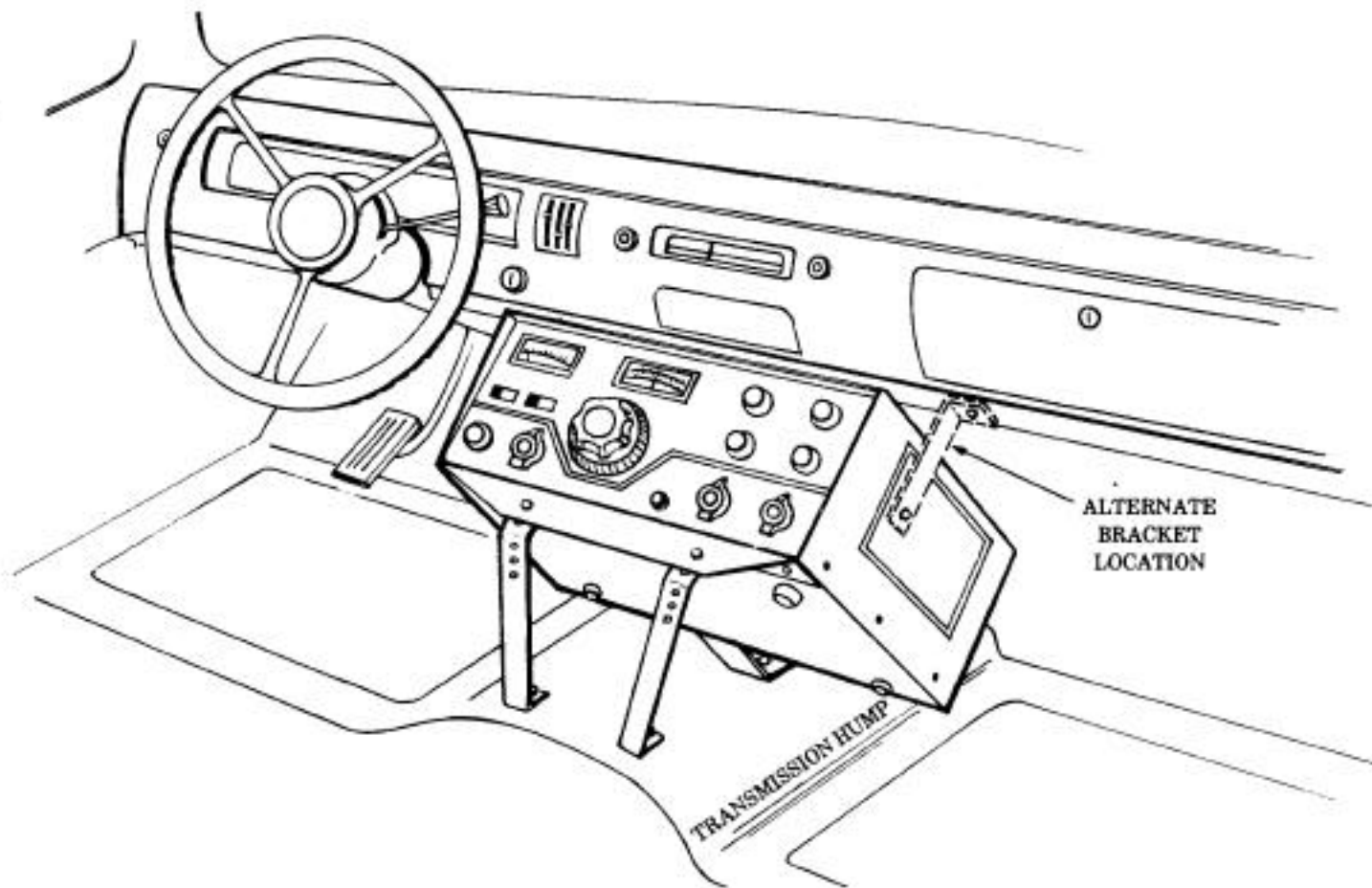
Any of the common antenna systems designed for use on the 10-meter amateur band will work well with the 1011D. However, the amateur should consider an antenna system which best fits his operational requirements. For example, a rotatable beam antenna is usually best suited for DX operation. Methods for constructing antennas and antenna tuners are described in detail in the ARRL Antenna Handbook and similar publications. It is recommended that these publications be consulted during the design of any antenna system.

MOBILE INSTALLATION

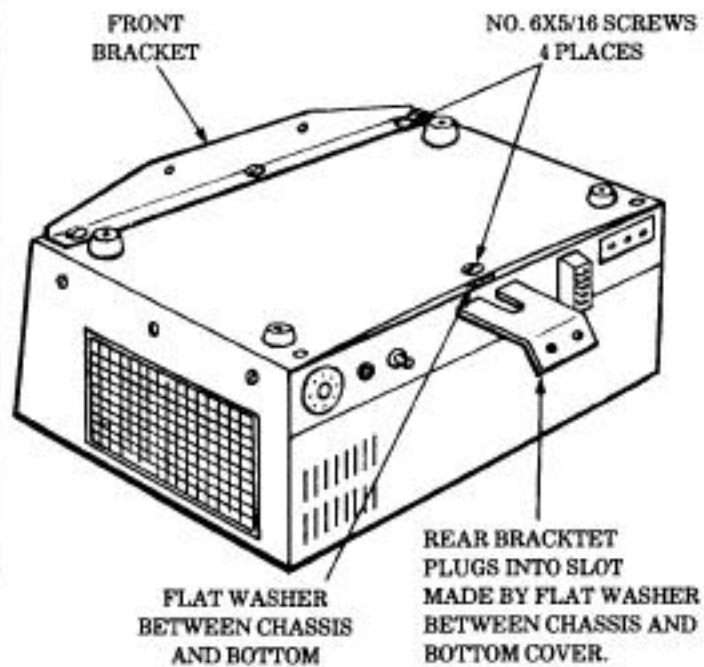
Many different methods of mobile installation are possible, and it is expected that hams will find methods which are best suited for their installation requirements. Siltronix has available a Mobile Mounting Kit which is suitable for under-the-dash installations. Figure 1 shows the recommended mounting methods using this kit.

DC CONVERTER, MODEL 14A

For 12-14 volt DC operation in mobile installations, it will be necessary to use the Siltronix 14A Converter.



MOBILE MOUNTING, SIDE VIEW



TRANSCIVER, BOTTOM VIEW

FIGURE 1. MOBILE MOUNTING ON TRANSMISSION HUMP.

The Model 14A D.C. Converter attaches to the rear of the Model 1011D transceiver and converts it to 12-14 volts D.C. input. The 14A D.C. Converter is for normal negative ground systems. Two No. 6 sheet metal screws must be used to attach the 14A firmly to the transceiver.

The Model 14A is conservatively designed for long reliable service with a minimum failure rate. It is designed for easy access and servicing when required. The 14A may be detached quickly from the transceiver and tested individually, thus isolating the source of trouble. It uses two power transistors for switching in a flip-flop oscillator circuit. They are rated at 50 amperes, with a 40 volt rating. Diode spike clipping provides protection against one of the common sources of transistor failure.

The 12 volt electrical system in an automobile will sometimes generate high voltage transients. These can be caused by the starter motor, the alternator or generator, or loose wiring, representing a serious hazard to the transistors in your DC power supply.

It is strongly recommended that the following checks be performed before operating the 1011D.

1. Clean and tighten the battery terminals and clamps.
2. Tighten battery cables where they attach to the starter solenoid and engine block.
3. Inspect battery cables for corrosion or wear. Replace them if their condition is questionable.
4. Check battery condition frequently. If the cells do not hold a similar charge or water level, replace the battery.
5. Check alternator (or generator), and regulator connections for security. Also, primary ignition wiring, horn wiring, lights, etc.
6. Check the charging voltage from the alternator. Often the regulator is mis-adjusted, and the voltage setting may be excessive. It should not read more than 14.5 volts at normal engine speeds.

Recommended wire size depends on length. For runs up to 5 feet, use 10 gauge. For 5 to 10 feet, use 8 gauge. Fuse should be rated for 30 amperes, and may be in-line cartridge type, or insulated block holder. The fuse should be located near the battery end of the cable. The transceiver DC cables should be connected directly to the battery.

MOBILE ANTENNAS

The standard type mobile antennas designed for 10 meters or CB band will perform well with the 1011D. Generally speaking, a full length 8 or 9 foot whip will be more efficient than the shorter inductively loaded types.

MICROPHONE

The microphone input is designed for high impedance microphones only. The choice of microphone is important for good speech quality, and should be given serious consideration. The crystal lattice filter in the transceiver provides all the restriction necessary on audio response, and further restriction in the microphone is not required. It is more important to have a microphone with a smooth, flat, response throughout the speech range. The microphone plug must be a standard 1/4 inch diameter, three contact phone type. The tip connection is for push-to-talk relay control, the ring connector is the microphone terminal and the sleeve is the common chassis ground. The microphone manufacturer's instructions should be followed when connecting the microphone cable to the plug. Either hand-held or desk type microphones with push-to-talk control will provide a suitable installation.

ACCESSORY OUTPUT JACK

A miniature jack on the rear panel, labeled "FD-1011 ACCESS" is provided for connection of the Model FD-1011 Digital Frequency Indicator which is available from Siltronix distributors and dealers. Consult the instructions furnished with the FD-1011 for its connection to the 1011D and its operation.

AUXILIARY RELAY JACK

Connections to the microphone push-to-talk circuit are brought out to the rear panel mounted AUX RELAY jack. The jack is a standard RCA audio connector that is insulated from the chassis. The center connection is connected to +12V and the shell is connected to the microphone keying circuit. Connection to the AUX RELAY jack permits simultaneous keying of the 1011D and accessory units such as a linear amplifier, coaxial relay, etc.

CAUTION

Use an insulated cable for interconnecting the 1011D and the accessory unit. Guard against a metal object making contact between the connector shell and the chassis as undesired keying of the transmitter and accessory unit will result.

CAUTION

The current limit for the aux relay power source is 80 ma. Make certain that this limit is not exceeded or internal damage to the 1011D circuits may result.

HEADPHONE JACK

A standard 1/4 inch diameter headphone plug will mate with the rear panel mounted headphone jack. A closed circuit jack is used which will disconnect the speaker when the headphone plug is inserted. Headphones with an impedance of 600 ohms or less should be used.

ACCESSORY POWER RECEPTACLES

Two rear panel mounted power receptacles provide 117VAC for accessory equipment **only when the unit is powered from an AC source.** The one labeled "117VAC SW." is connected through the front panel power switch and will be used for equipment that is to be

turned on and off with the 1011D. Note that the maximum available current limit is 1 ampere. Equipment requiring no more than 3 amperes maximum may be connected to the other receptacle. Equipment connected to this receptacle will not be switched off with the 1011D but will have power applied whenever the line cord from the rear panel of the 1011D is plugged into an AC source.

CAUTION

Do not connect equipment to these receptacles when the Model 14A, 12 volt converter is used to power the 1011D. Damage to such equipment from overvoltage will result.

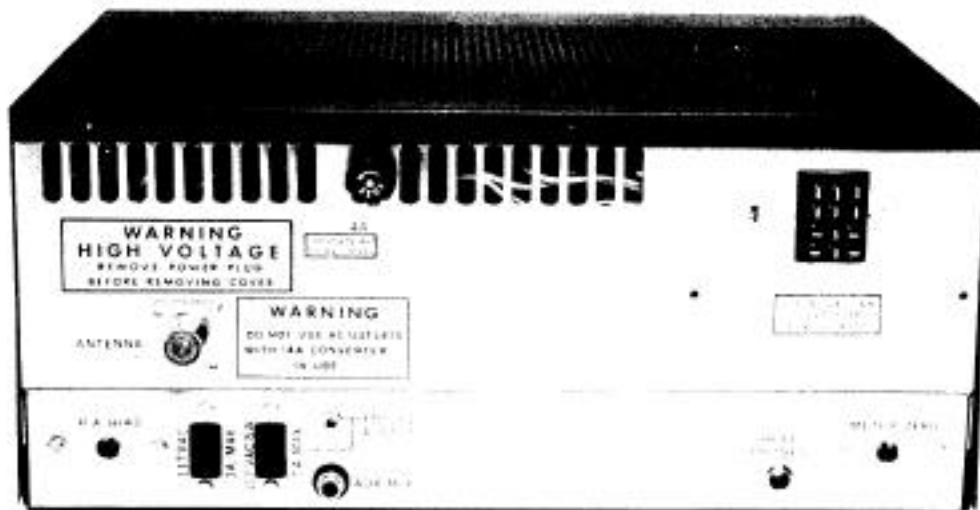


FIGURE 2. SILTRONIX MODEL 1011D, REAR VIEW.

OPERATION

The following pages contain instructions on operation of the 1011D including descriptions of all front and rear panel controls and their functions, preliminary checks,

transmitter tune-up adjustments and receiver operation in the various modes.

CONTROL FUNCTIONS, FRONT PANEL

S-METER/METER SWITCH

The meter has four functions that are controlled by the position of the Meter Switch:

1. S-Meter: (Switch in S-Meter position). Meter indicates relative strength of received signal. Upper scale is calibrated in S-Units.

2. Relative Output: (Switch in S-Meter position). Meter indicates relative power output when transmitter is keyed. Scale calibrations are ignored.

3. P.A. Cathode: (Switch held in P.A. Cathode position). Meter indicates total P.A. cathode current in milliamperes read on lower scale of meter.

4. P.A. Bias Indicator: (Switch held in P.A. Cathode position). When transmitter keyed in USB/LSB mode, meter indicates correct bias adjustment when pointer is on small triangle on bottom scale.

TUNE/REC SWITCH

Used during tune-up of transmitter. Transmitter is keyed for tuning purposes when switch is held in Tune position.

MAIN TUNING CONTROL

Adjusts transceiver operating frequency as indicated by calibrations on associated dial.

DIAL SET

This is a dial calibration control. With a known frequency being received, main tuning dial is set to that frequency and the signal "fine tuned" with the Dial Set Control.

P.A. LOAD CONTROL

This control affects both the transmit and receive sections of the unit. It should be adjusted for maximum power output on transmit. This will also be the correct adjustment for maximum receiver sensitivity.

P.A. TUNE CONTROL

This control affects both the transmit and receive sections of the unit. It should be adjusted for maximum power output on transmit. This will also be the correct adjustment for maximum receiver sensitivity.

BAND SWITCH

The markings on the Band Switch are 27.0 REC and 28.5 XCV. Controls frequency range of the unit. Bottom scale of tuning dial is read when the

switch is in the 27.0 position. The upper scales are read when it is in the 28.5 position. The transmitter is inoperative with the switch in the 27.0 position.

CARRIER INSERTION CONTROL

Used on AM Transmit only! Controls input level to power amplifier tube. Proper AM transmit operation is dependent on proper adjustment of this control. A careful review of the AM Operation section of this manual is recommended before operation in the AM mode.

A.F. GAIN CONTROL

Adjusts the level of receiver audio at the speaker or headphone jack.

R.F. GAIN CONTROL

Adjusts receiver gain. For normal operation, set fully clockwise.

MODE SELECTOR SWITCH

(Marked LSB/USB/AM REC).

LSB—When in this position, receiver operates on lower sideband when the Band Switch is in the 27.0 position. Transceiver operation is obtained when the Band Switch is in the 28.5 position.

USB—When in this position, receiver operates on upper sideband when Band Switch is in the 27.0 position. Transceiver operation is obtained when the Band Switch is in the 28.5 position.

AM REC—Receiver operates on AM when Band Switch is at 27.0 position. Transceiver operates on AM when Band Switch is at 28.5 position.

WARNING

It is unlawful to transmit in the 28.5 position unless a valid amateur radio operators license is obtained from the Federal Communications Commission.

SPOT SWITCH

Used in AM Receive only while tuning in a station. Allows operator to hear carrier of incoming AM station.

ANL SWITCH

Automatic Noise Limiter Switch. Reduces ignition and atmospheric static at output of receiver.

CONTROL FUNCTIONS, FRONT PANEL (Cont'd)

MIC JACK

A three conductor plug fits into this jack. Always use a high impedance microphone with the 1011D (Silttronix CM1011, Shure 444, etc).

MIC GAIN CONTROL

This control adjusts the level of the microphone audio into the transmitter modulator.

PRESELECTOR

This control affects both the transmit and receive sections of the unit. (It should be adjusted for maximum power output on transmit. This will then be the correct adjustment for maximum receiver sensitivity.

REAR PANEL CONTROLS/CONNECTORS

POWER CONNECTOR

The AC power cord from commercial service or from the Model 14A DC to AC converter plugs into this receptacle. An AC power cord is supplied with every new 1011D.

P.A. BIAS ADJUSTMENT

This adjustment controls the amount of P.A. idling current which should always be 40 ma. This is preset at the factory but should be checked periodically, usually at the beginning of a day's operation.

ACCESSORY POWER RECEPTACLES

There are two 117 VAC receptacles. One, marked 3A MAX, has power whenever power is applied to the rear panel power connector through the line cord. The other, marked 1A MAX, is switched on and off by the front panel power switch. **Neither of these can be used when the unit is being powered by the Model 14A DC to AC converter.**

ACCESSORY OUTPUT

The connector marked "FD-1011 ACCESS" is the output to the FD-1011 digital frequency indicator. A mating plug, from the accessory, plugs into the connector. Power for the FD-1011 is obtained from the 117 VAC switched receptacle.

AUX RELAY CONNECTOR

The center pin of this connector is at +12VDC continuously. The outer metal ring is grounded when the transmitter is keyed. It can be used to key the power to a following linear amplifier, coaxial antenna relay, etc.

HEADPHONE JACK

For Headphone connection. Speaker is automatically disconnected when headphone plug is inserted. (Use low impedance headphones).

S-METER ZERO ADJUSTMENT

Provides zero adjustment for S-Meter. Adjustment is accomplished with RF GAIN control set fully clockwise and antenna disconnected.

ANTENNA CONNECTOR

Common antenna connector for receiver and transmitter sections. Mates with PL259 coaxial connector. (Use RG58 or RG8 cable).

FUSEHOLDER

Accepts type 3AG fuse. Protects set from damage due to internal short circuit and overload of the 117 VAC SW receptacle. **Use only 4 ampere fuse.**

1011D PRELIMINARY CHECKS AND ADJUSTMENTS

A. Locate the P.A. compartment and remove the packing material from the P.A. tube if not previously accomplished. (This requires removal of cabinet cover).

B. Set all front panel controls and switches as follows:

1. A.F. Gain Control fully counterclockwise (A.C. Power off in this position).
2. Mode Switch to USB.

3. R.F. Gain Control fully clockwise.
4. Band Switch to 28.5 XCV position.
5. Dial setting 28.7 MHz.
6. ANL Switch OFF.
7. Spot Switch OFF.
8. Dial Set Knob 12 o'clock.
9. Preselector 3 o'clock.
10. Mic Gain Control fully counter-clockwise.

11. Carrier Insertion fully counter-clockwise.
12. P.A. Tune 12 o'clock.
13. P.A. Load 12 o'clock.
14. Meter Switch in S-Meter position.
15. Tune/Rec Switch in Rec position.
16. Plug Microphone into Mic Jack.

At this time, all front Panel controls are preset. No power should be applied to the set.

C. Rear Panel Preset Instructions:

1. Connect a 50 ohm dummy load or an antenna through a 50 or 75 ohm feed line to the antenna connector.
2. A good earth ground should be connected to chassis ground stud bolt on rear panel.
3. The A.C. power cord should now be connected to rear Power Connector. Plug A.C. Cord into 117V.A.C. wall outlet.

WARNING

The cabinet cover should be in place whenever the power cord is connected to the unit as dangerously high voltages are present at the plate connection of the power amplifier and other locations within the unit. **Serious injury or death may occur if personnel come in contact with these voltage sources.**

At this time the set is still turned off and all controls are preset, antenna or dummy load is now connected to the set and power cord is attached to the set.

D. Turn A.F. Gain Control clockwise to about 10 o'clock. Power will now come on and the dial light should light. Let the set warm-up for about 5 minutes before proceeding to the next step.

P.A. BIAS CURRENT CHECK

The P.A. bias has been preset at the factory. However, since it is extremely important that it be set correctly at all times, a check should be made as follows:

1. Perform Preliminary Checks outlined above.
2. Push the Meter Switch down to read P.A. Cathode current.
3. At the same time, key your microphone.

1. While looking at the bottom scale on the front panel meter, note the meter reading. It should be on or near the triangle (40 ma).

5. If adjustment is required, use a small screwdriver to turn the P.A. Bias control on the rear of the set. A small triangle (delta symbol) on the meter indicates the proper setting of 40 ma. (Be certain that the mode selector is still in the USB position).

The P.A. Tube Bias (Idling current) has now been adjusted. No further bias adjustment should be required. However, it is wise to always check the P.A. Bias before the first transmission of the day. The unit is now ready for tune up on the air.

TRANSMITTER TUNING PROCEDURE

Up to this point, all controls and the P.A. Idling Current have been preset. The following steps explain proper transmitter tune up procedure.

1. Ascertain that all front panel controls have been preset correctly as instructed in "B" of the Preliminary Checks.
2. With the antenna connected, locate a clear frequency on which to tune up.
3. Push both the Tune/Rec switch and the P.A. Cathode/S-Meter switch down at the same time. (The transmitter will now be keyed). Peak the preselector for maximum P.A. Cathode Current on the meter **as quickly as possible.**

CAUTION

Key transmitter for not more than ten seconds at a time and allow ten seconds to elapse between keying periods while tuning up transmitter.

4. Release P.A. Cathode/S-Meter switch and again push Tune/Rec switch down. **Quickly** peak P.A. Tune Control for maximum reading on meter. (Meter is now reading relative power output). Release switch.
5. Once again, push Tune/Rec switch down and **quickly** peak P.A. Load to maximum meter reading. Release switch.
6. Push Tune/Rec switch down and repeak P.A. Tune Control. Release switch.

If a calibrated wattmeter is in the antenna line, it should read 70 watts or more when the set is properly tuned-up (Tune/Rec switch in tune position).

You have now completed the transmitter tune-up procedure. If you desire to change frequency and move the dial more than 50 KHz, it will be necessary to repeak the P.A. Tune, P.A. Load, and Preselector controls (Steps 3 through 6).

CAUTION

PROPER TUNING AT ALL TIMES IS EXTREMELY IMPORTANT. IMPROPER TUNING WILL CAUSE PREMATURE POWER AMPLIFIER TUBE FAILURE.

If the receiver is operated with the Band Switch in the 27.0 REC position and the Preselector, PA Tune and PA Load controls are adjusted for maximum receiver sensitivity it will be necessary to retune the transmitter when returning it to operation with the Mode Selector in the 28.5 XCV position.

OPERATION

RECEIVING SINGLE SIDEBAND

In the following instructions, it is assumed that all preceding Preliminary Checks, P.A. Bias Adjustment and Transmitter Tuning procedures have been accomplished as instructed.

Place the Mode Selector Switch in the USB or LSB position as desired. Turn the A.F. Gain Control clockwise to the 3 o'clock position. (If the unit was not previously turned on, wait 30 seconds or more for the tube filaments to warm up). Check that the Carrier Insertion Control is at MIN. Turn the main tuning dial to the desired frequency indication and then *carefully* adjust the preselector and P.A. Tune Controls for maximum noise output. Readjust A.F. Gain Control as necessary to increase or decrease receiver output to a comfortable level.

NOTE

The PRESELECTOR resonates the transmitter driver stages and the receiver RF amplifier plate circuit. The P.A. TUNE and P.A. LOAD controls adjust the input and output capacitors in the transmitter power amplifier final plate circuit, as well as the receiver RF amplifier grid circuit. Proper adjustment of these controls in the receive position will result in approximately resonant conditions in the transmitter stages.

In practice, the receiver will often be tuned across the band until a signal is heard to which the 1011D operator will want the 1011D transmitter stages

tuned. Adjusting the Preselector and P.A. Tune controls for maximum S-Meter indication will provide this tuning while listening to the received signal.

If there is ignition or atmospheric noise present that interferes with the received signal, set the ANL switch to the upper position. This will activate the Anti Noise Limiter to limit the peak excursion of the noise in the receiver audio circuits.

RECEIVER TUNING (SSB)

Precise tuning of a single sideband signal is very important. Do not be satisfied to merely tune until the voice can be understood, but take the extra care of setting the dial to the exact spot where the voice sounds natural. Above all, avoid the habit of tuning so that the voice is pitched higher than normal. This is an unfortunate habit practiced by quite a number of operators.

The following points help to explain the effects of mistuning:

1. If you tune so that the received voice is higher than normal pitch, you will then transmit off frequency, and your voice will sound lower than normal pitch to the other station. He will probably retune his dial to make you sound right. If this continues, you will gradually "waltz" one another across the band. If you are both mistuning to an unnaturally higher pitch, you will waltz across the band twice as fast. (And someone will, no doubt, be accused of frequency drift).

2. Mistuning results in serious harmonic distortion of voice, and should be quite noticeable to the average ear. Some will claim that if they don't know how the other person's voice actually sounds, they can't tune him in properly, but this is not true. With a little practice, it is quite easy to tell. Some voices are rich in harmonics, and are easier to tune in than a person with a "flat" voice. Also, a transmitter operated properly, with low distortion, is easier to tune in than one which is over-driven and generating excessive distortion. You will know when you have a station tuned in right on the nose. It will sound just like "AM", so to speak. Mainly, avoid the habit of tuning so everyone sounds higher than normal pitch, or like "Donald Duck". This is incorrect, unnecessary, and irritating to the ear.

TRANSMITTING SINGLE SIDEBAND

The transmitter frequency will be the same as the received signal frequency as indicated by the position of the main tuning dial, or to any frequency to which the dial is set. If the frequency for transmission is to be the same frequency as the received signal, or on a clear frequency, the transmitter should be tuned per the Transmitter Tuning Procedure on page 8. If it has

been tuned up previously, only minor adjustments will be required on a new frequency.

Be certain that the Carrier Insertion Control is in its full counter clockwise position.

After tune-up, key the microphone and turn the MIC GAIN control clockwise as you speak into the microphone until the S-Meter pointer is swinging into the upper third of the scale on voice peaks. No further adjustments will be required from one transmission to another unless frequency is changed. The meter is heavily damped and its peak reading with average voice modulation may not be impressive. However, the voice peaks are well over the 200 watt input rating of your Siltronix 1011D.

NOTE

The unit will not transmit when the Band Switch is in the 27.0 REC position. Transmission on 28.5 XCV is illegal unless the operator holds a valid and appropriate Amateur Radio License issued by the Federal Communications Commission.

RECEIVING AM

In the following instructions, it is assumed that all preceding Preliminary Checks, P.A. Bias Adjustment and Transmitter Tuning procedures have been accomplished as instructed.

Place the Mode Selector switch in the AM REC position. Turn the A.F. Gain Control clockwise to the 3 o'clock position. (If unit was not previously turned on, wait 30 seconds or more for the tube filaments to warm up).

Rotate the tuning dial until an AM signal is heard. Place the SPOT switch in the ON (up) position. This will produce a "whistle" in the output which should then be adjusted to "zero beat" by fine adjustment of the tuning dial. Turn the SPOT switch OFF (down). The AM station is then precisely tuned in and when transmitting in reply, the 1011D will be on the exact same frequency. Adjust the audio gain for a comfortable listening level. The P.A. Tune and Preselector controls may be adjusted for maximum S-Meter reading.

NOTE

The PRESELECTOR resonates the transmitter driver stages and the receiver RF amplifier plate circuit. The P.A. TUNE and P.A. LOAD controls adjust the input and output capacitors in the transmitter power amplifier final plate circuit, as well as the

receiver RF amplifier grid circuit. Proper adjustment of these controls in the receive position will result in approximately resonant conditions in the transmitter stages.

TRANSMITTING AM

The transmitter frequency will be the same as the received signal, as indicated by the main tuning dial, or to any frequency to which the dial is set. If the frequency for transmission is to be the same frequency as the received signal, or a clear frequency, the transmitter should be tuned per the Transmitter Tuning Procedure on page 8. If it has been tuned previously, only minor adjustments will be required on a new frequency.

After Tune-up, push the S-Meter switch down to the P.A. Cathode position and key the microphone. (Work out a means for doing this with one hand as you will need the other free for the next step). Next turn the Carrier Insertion Control clockwise to set the P.A. Cathode current at 120 milliamperes then release the switch and microphone switch.

Key the transmitter with the microphone switch and speak into the mike. Advance the microphone Gain Control from its minimum position until the S-Meter pointer just begins to respond on voice peaks.

CAUTION

The Microphone Gain setting is critical. Do not exceed the setting obtained when following the directions in the preceding paragraph. Excessive overmodulation, with its attendant distortion, will result. Your signal will be difficult to understand and will contain excessive harmonics that may cause interference on this and other frequency bands.

Proper Microphone Gain settings will be obtained with the control at the 8 or 9 o'clock position. "Power Mikes" are not recommended for use with the 1011D. Use a Siltronix CM1011, Shure 444 or other microphone, with similar characteristics.

CAUTION

If the previous adjustments have all been completed correctly, R.F. output will be 10 to 30 watts dead carrier with mike keyed. Do not exceed the carrier insertion limits of 120 ma. or damage to the P.A. tube will result. If reduced carrier power is desired, the carrier insertion can be reduced to produce a meter reading of 100 ma.

DIAL SET

A DIAL SET control provides for precise calibration of the frequency tuning dial. To perform this calibration, a signal of known frequency, preferably from a frequency standard, is required. The procedure

requires coupling of the signal to the antenna input directly or by radiation to the connected antenna. The dial is then set to the known frequency. A "whistle" will be heard in the transceiver output. The DIAL SET control is then adjusted to bring the "whistle" frequency to zero (zero beat).

CIRCUIT THEORY

GENERAL DISCUSSION

The Siltronix 1011D transceiver provides single sideband, suppressed carrier transceive operation, and generates the single sideband signal by means of a crystal lattice filter. To permit a logical discussion of this mode of operation, certain definitions are necessary.

In a normal AM signal (double sideband with carrier), a radio frequency signal is modulated with an audio frequency signal. This is considered by many to be merely a case of varying the amplitude of the carrier at an audio rate. In fact, however, there are actually sideband frequencies generated, which are the result of mixing the RF and the AF signals. These sidebands are the sum of, and the difference between, the two heterodyned signals. In the detection of this conventional AM signal, the two sidebands are mixed with the carrier to recover and reproduce the audio intelligence. This is an inefficient means of transmission, because only 25 percent of the transmitted power is used to transmit intelligence. There are other attendant drawbacks also. The bandwidth of AM voice transmission is approximately 6 KHz, while the actual demodulated audio is only approximately 3 KHz. The result is inefficient use of the frequency band, and over half of the allotted band is unusable due to heterodynes, interference, and congestion.

In the single sideband, suppressed carrier mode of transmission, only one of the sideband signals is transmitted. The other sideband and the carrier are suppressed to negligible level. In addition to increasing the transmission efficiency by a factor of four, single sideband effectively doubles the number of stations or channels which can be used in a given band of frequencies.

It should be remembered that in the single sideband, suppressed carrier mode of transmitting, the unwanted sideband and carrier are only suppressed, not entirely eliminated. Thus, with a transmitted signal from a transmitter with a 50 db sideband suppression, the unwanted sideband will be present, and will be transmitted, but its level will be 50 db below the wanted sideband. When this signal is received at a level of 20 db over S9, the unwanted sideband will be present at a level of approximately S5. The same is true of carrier suppression. With carrier suppression of 60 db, and a signal level of 20 db over S9, carrier will be present at a level of approximately S3 to S4.

For the following discussion refer to the schematic diagram, and to Figures 3, 4, and 5.

SIGNAL GENERATION

When the push-to-talk switch on the microphone is depressed, the transmitter portion of the transceiver

is activated, and it generates a single sideband, suppressed carrier signal in the following manner. Carrier is generated by Carrier Oscillator Q3, connected as a Pierce oscillator with the crystal operating in parallel resonance. This stage operates in both the transmit and receive modes. When transmitting, the RF output of the oscillator is injected into the control grid of the Balanced Modulator, V13. This balanced modulator is a beam deflection tube, and operates similar to a cathode ray tube in that the electron beam from the cathode is deflected to one output plate or the other by the charge appearing on the deflection plates. The carrier signal applied to the control grid of the balanced modulator appears on both plates of the output. The two plates are connected to Transformer T1301. The deflection plate DC voltages are adjusted by means of the carrier balance control, R1305, so that the RF signals being applied to the output plates will cancel each other, and the output from T1301 will be zero. Audio signals from the Microphone Amplifier, V14, are applied as a modulating voltage to one deflection plate, and the two sidebands resulting from the sum and difference frequencies of the audio and carrier signals appear in the output of transformer T1301. Carrier suppression is approximately 60 db down. The Carrier Insertion control limits the carrier level that can be inserted in AM and thus protects the final amplifier from being overdriven.

The double sideband, suppressed carrier signal is then coupled from the secondary winding of T1301 to the crystal filter, which suppresses the lower sideband, and permits only the upper sideband to be applied to the First IF Amplifier, V7. The carrier frequency is generated at approximately 5500.0 KHz, when the unit is in the upper sideband mode (USB). With the lower (LSB) sideband crystal, the carrier crystal frequency will be 5504.6 KHz, and this positions the double sideband signal on the other side of the filter response curve, attenuating the upper sideband by at least 50 db.

Q1, the VFO 2N706 Oscillator, operates in the common base configuration as a Colpitts oscillator. Q2, the buffer, is used for isolation. The extremely good regulation achieved through using the Zener diode regulator, D1712, across the bias supply voltage, also contributes to the stability.

The VFO in the Model 1011D exhibits extremely good stability after the initial warm-up period. Drift from a cold start will be less than 2 KHz during the first hour. After the initial warm-up period drift will be negligible.

The single sideband, suppressed carrier signal from the First IF Amplifier is fed to the Transmit Mixer, V2, where it is heterodyned with the VFO signal. The resultant signal at the desired transmit frequency is amplified by the Driver, V3, and the Power Amplifier,

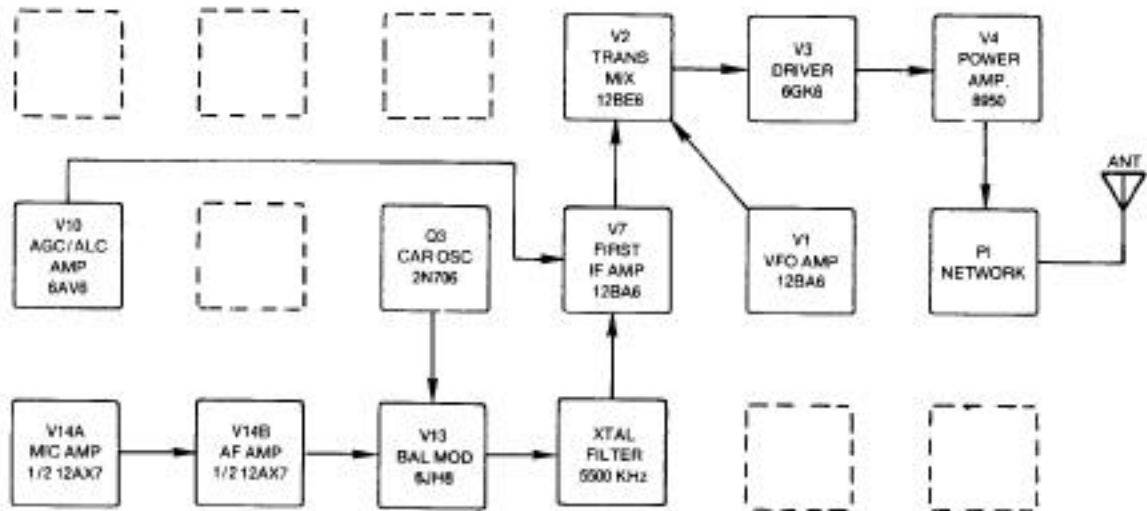


FIGURE 3. BLOCK DIAGRAM, TRANSMIT MODE.

Downloaded by RadioAmateur.EU

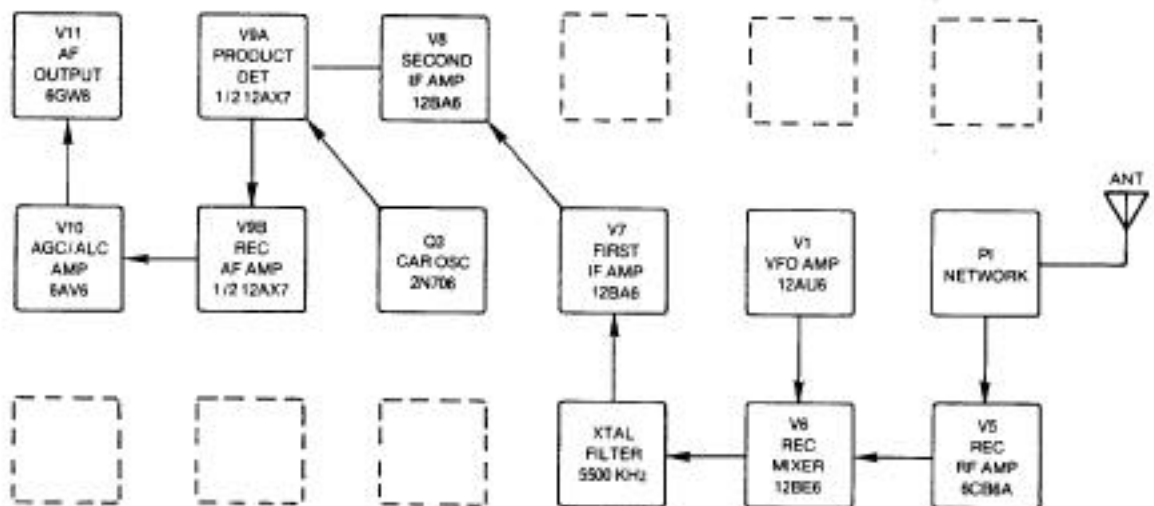


FIGURE 4. BLOCK DIAGRAM, RECEIVE MODE.

V4. The signal from the VFO Amplifier is initiated in the transistorized VFO/Buffer circuit comprised of Q1 and Q2. The signal from the VFO is routed to the VFO Amplifier and is mixed with the single sideband from the IF amplifier, resulting in output in the 10 meter band. When the transceiver is in the TRANSMIT mode, the gain of the First IF Amplifier is controlled through the Automatic Level Control (ALC) network (using the AGC Amplifier V10) to control the gain of the stage in response to the average input power to the Power Amplifier. This ALC system will compensate for extremely strong input signals, but does not completely eliminate the necessity of proper adjustment of the MIC. GAIN control. This feature will help prevent the transmitter from flat topping and generating spurious emissions, but considerable

distortion may occur if the MIC. GAIN control is not properly adjusted. Refer to Operating Instructions.

TUNE OPERATION

Normally, the frequency of the carrier oscillator is approximately 300 Hertz outside the 6 db passband of the crystal lattice filter. In TUNE position, the frequency of the carrier oscillator is moved approximately 800 Hertz to place it well within the passband of the crystal lattice filter.

RECEIVE

In RECEIVE position, or at any time when the transmitter is not in TRANSMIT, all circuits used in trans-

mitting are disabled through circuits controlled by relay K1. The relay is energized for transmitting and de-energized for receiving. One contact, when de-energized, allows received signals from the antenna to be applied, through the transmitter tank circuit, to the receiver R. F. Amplifier, V5, where they are amplified and then applied to the control grid of the Receiver Mixer, V6. The local oscillator signal from the VFO Amplifier is then heterodyned with the received signal to produce the IF Frequency. All IF amplification is accomplished at this frequency, nominally 5500.0 KHz, through IF amplifiers V7 and V8. In the Product Detector, V9A, the IF signal is heterodyned with the carrier frequency generated by Carrier Oscillator, Q3. The resultant audio is then amplified by V9B, which then couples to the AGC amplifier, V10, and the audio output stage, V11.

FREQUENCY CALIBRATION

Frequency calibration of the Model 1011D tuning dial is in 5 KHz increments. Dial accuracy and tracking are quite good, but caution must always be observed when operating near band edges. Measuring the frequency with a frequency standard or marker generator when working near band edges is recommended. The procedure for adjusting the dial calibration is covered in the OPERATION section.

TRANSMIT AND RECEIVE SWITCHING

Transmit and receive switching is performed by relay K1. In TRANSMIT, only those tubes that operate in the transmit mode are operative, all others being biased to cutoff through the relay contacts. In RECEIVE, with the relays de-energized, the tubes that are used only in transmit are cut off in the same manner. Relay K1 when de-energized, applies signals from the output Pi-network to the receiver. Note that relay K1 will not operate when the BAND SWITCH control is in the 27.0 REC position.

POWER RATING

The Siltronix 1011D is capable of over 200 watts P.E.P input under steady state two-tone test conditions. The peak envelope power, when voice modulated, is considerably greater, typically 300 watts or more.

The built-in power supply produces a no-load plate voltage of approximately 880 volts. Under TUNE conditions, this voltage will drop to approximately 680 volts and maximum input power will be reduced considerably below the voice P.E.P. rating. Under voice modulation, because average power is considerably less, the power amplifier plate and screen voltages will be maintained higher, even during voice peaks, by the power supply filter capacitors. Peak plate current will, therefore, also be higher than with two-tone test conditions. Under typical operating

conditions, peak plate current before flat-topping will be 380 ma. at 800 volts, to result in an input of about 300 watts P.E.P. Meter readings of cathode current will not reflect this power input, however, because of the damping in the meter. Cathode current readings under normal voice input should not average more than 100 to 120 ma.

POWER AMPLIFIER PLATE DISSIPATION

There is often a misunderstanding about the plate dissipation of tubes operated as AB1 amplifiers under voice modulation. In the Siltronix 1011D, while in the transmit mode, and with no modulation, the plate voltage will be approximately 830 volts, the plate current 40 ma., and the power input 33 watts.

Authorities agree that the average voice power is 10 to 20 db below peak voice power. Normally, some peak clipping in the power amplifier can be tolerated, and a peak-to-average ratio of only 6 db may sometimes occur. Under such conditions, the average power input will be 80 watts, and average plate current will be 100

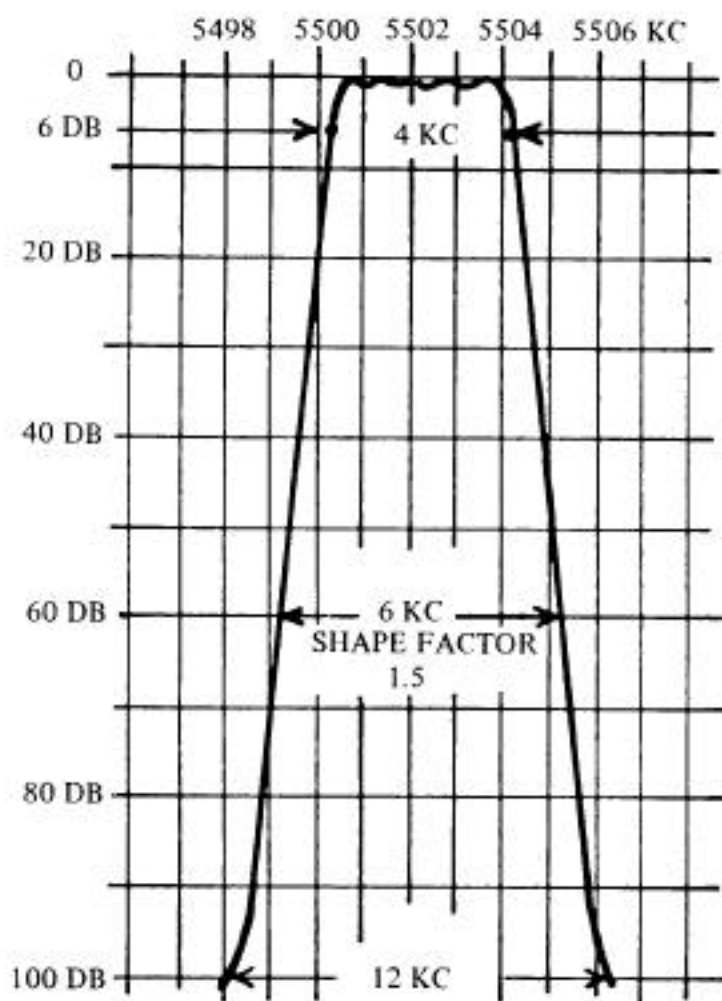


FIGURE 5. CRYSTAL FILTER CHARACTERISTICS.

ma. With power amplifier efficiency of 65 percent, plate dissipation will be approximately 26 watts. The 8950 is rated at 40 watts, continuous duty cycle. Thus it can be seen that under normal operating conditions, the Power Amplifier tube in the 1011D is not being

driven very hard. Note, however, that proper modulation level must be maintained by correct setting of MIC. GAIN, and that the length of time in TUNE position must be limited to not more than 10 seconds at a time.

ALIGNMENT AND TROUBLESHOOTING

The alignment procedures presented in this section are routine touch-up procedures for all tuned circuits and other adjustments. It is recommended that the procedures be performed in the order presented. However, if complete realignment is not required (as may be the case when just one tube is replaced), perform just those procedures required. Refer to Figures 6 and 7 for component placement.

RECEIVER ALIGNMENT

Receiver alignment involves only the adjustment of the Second IF coil. The RF coils which affect receiver performance are also used in the TRANSMIT mode. Their adjustment is covered under "TRANSMITTER ALIGNMENT".

1. After allowing approximately five minutes for warmup, tune the receiver to the middle of the band and on a "clear" frequency.
2. Adjust the P.A. TUNE, P.A. LOAD, AND PRESELECTOR for maximum noise.
3. Adjust the second IF coil (L801) for maximum background noise.

S-METER ADJUSTMENT

With the antenna disconnected, R.F. GAIN control fully clockwise, and S-Meter switch in S-METER position, set R705, (S-Meter zero), located on the rear panel, for zero meter reading. Determine that no local signals are being received.

TRANSMITTER ALIGNMENT

1. To adjust the Power Amplifier Bias (after allowing approximately five minutes for warm-up):
 - a. Hold Meter Switch in P. A. CATHODE position.
 - b. Rotate CARRIER INSERTION control fully counterclockwise.
 - c. Rotate Mic Gain control fully counterclockwise, then key the transmitter with the microphone switch. Adjust the Carrier Balance control, R1309 on the bottom cover, for a null.
 - d. Again, key the transmitter with the microphone switch, and without speaking into the

microphone, adjust the P.A. BIAS control on the rear panel until the meter reads 40 ma. of *idling current*. This point is indicated on the meter by the small triangular "delta" symbol.

2. The alignment of transmitter circuits involves the adjustment of tuned circuits in the VFO Amplifier, V1, the Transmit MIXER, V2, and the DRIVER stage, V3. It is recommended that a 50 ohm dummy load be connected to the antenna jack during this series of adjustments.

- a. Set the tuning dial to approximately 28.5 MHz, and the PRESELECTOR control at 12 o'clock.
- b. Set P.A. LOAD control to 9 o'clock.
- c. Set Meter switch to P.A. CATHODE.
- d. Press Mic. button. Check *idling current*. It should be on the "delta" symbol when the CARRIER BALANCE control is nulled, and the CARRIER INSERTION control is fully counterclockwise. Adjust P.A. BIAS control, on rear panel if necessary.
- e. With Mic. button depressed, adjust CARRIER BALANCE control for slight increase in meter reading. (50 to 60 ma.). Adjust P.A. TUNE control to resonance (dip).
- f. Adjust coils L101, L201, and L301, for maximum reading. When reading goes higher than 80 ma., or so, adjust CARRIER BALANCE control for 60 ma. again.
- g. Adjust coils carefully for maximum peak. Exercise caution with CARRIER BALANCE control. Do not exceed 100 ma. reading for more than a few seconds. Be sure P.A. TUNE control is resonated (adjusted for "dip" in meter reading).

3. Power Amplifier Neutralization.

- a. After allowing approximately five minutes for warm-up, tune transmitter to approximately 28.5 MHz.
- b. Set the P.A. LOAD control to 9 o'clock.
- c. Set S-Meter switch to P.A. CATHODE.

d. Key the transmitter with the Mic. button, and without speaking into the microphone, adjust the CARRIER BALANCE control for a reading of approximately 100 ma. Quickly adjust the PRESELECTOR for a peak. Quickly readjust the CARRIER BALANCE control to 100 ma. if it increased to a higher reading.

e. With the Mic. button still depressed, rotate the P.A. TUNE control through its range from 9 o'clock to 3 o'clock. You will note a pronounced "dip" in meter reading at resonance. Observe any tendency for the meter to "peak" above the 100 ma. plateau on either side of resonance. If there is such a peak, adjust C401, the P.A. NEUTRALIZING trimmer, to suppress the peak. When properly neutralized, the meter reading will hold steadily at 100 ma. except for the sharp dip at resonance, but there will be no peak above the 100 ma. level.

f. Key the transmitter with the Mic. button, and readjust the CARRIER BALANCE control for minimum Power Amplifier current. Power Amplifier idling current should be on the "delta" symbol. If not, repeat the Power Amplifier Bias adjustment described in TRANSMITTER ALIGNMENT, STEP 1.

4. Carrier Frequency Adjustment.

A dummy load, wattmeter and audio generator are required for this adjustment.

a. After allowing a five minute warm-up period, tune the transmitter to approximately 28.5 MHz with the Mode Selector at USB.

b. Key the transmitter with the Mic. button, and adjust the CARRIER BALANCE control for minimum Power Amplifier current.

c. Insert a 1500 Hz audio signal from an audio generator into the MIC. jack on the front panel. Adjust the gain of the audio generator and the MIC GAIN control (R1404) until the wattmeter reads approximately 10 to 15 watts.

d. Adjust the First L.F. coil, L701, for maximum RF output. Adjust both slugs of the balanced modulator transformer, T1301, for maximum RF output.

e. Increase the output of the audio generator until the wattmeter reads 40 watts. Reset the audio generator to 200 Hertz and adjust the USB carrier oscillator trimmer, C1503, for a reading of 10 watts.

f. Switch the Mode Selector to the LSB position. Adjust the LSB carrier oscillator trimmer, C1501, for a reading of 10 watts.

g. Reset the audio generator to 1500 Hertz, the output power to 40 watts. Reset the audio generator to 200 Hertz and readjust carrier oscillator trimmers, if required, for 10 watts.

NOTE

An RF signal generator or AM transmitter covering the CB or 10-meter bands will be required for the following adjustments.

h. Set the Mode Selector switch to USB. Tune in an AM carrier from the transmitter or an unmodulated signal from the generator. Adjust the main tuning dial for a zero beat at the transceiver output.

i. Set the Mode Selector switch to LSB and retune for zero beat using the LSB VFO shifter (C1621).

NOTE

An AM transmitter must be used for the following steps.

j. Apply voice modulation to the AM transmitter and adjust the AM VFO shifter (C1613) for best received audio quality.

k. Remove modulation from the AM transmitter. Turn the SPOT switch on and adjust the AM carrier oscillator trimmer (1507) for zero beat.

5. VFO Calibration.

After allowing approximately five minutes for warm-up, set the main tuning dial to the frequency standard or marker generator signal nearest to the center of the band to be calibrated. Adjust the DIAL SET to the 12 o'clock position. Locate the VFO cover and adjust the appropriate trimmer to zero beat the VFO with the standard or generator signal. This adjustment procedure should be performed for both bands with the Sideband Selector in the USB position.

Use an insulated alignment tool for adjustment. Accuracy in other parts of the bands will be quite good, but remember that the 1011D is not to be considered a frequency standard; be cautious when operating near band edges.

6. Troubleshooting.

The information contained in Figures 6 and 7, together with the voltage and resistance measurements in Table 1, and the information in Table 2, should be sufficient for most troubleshooting by the average licensed amateur radio operator. Note that the conditions for making

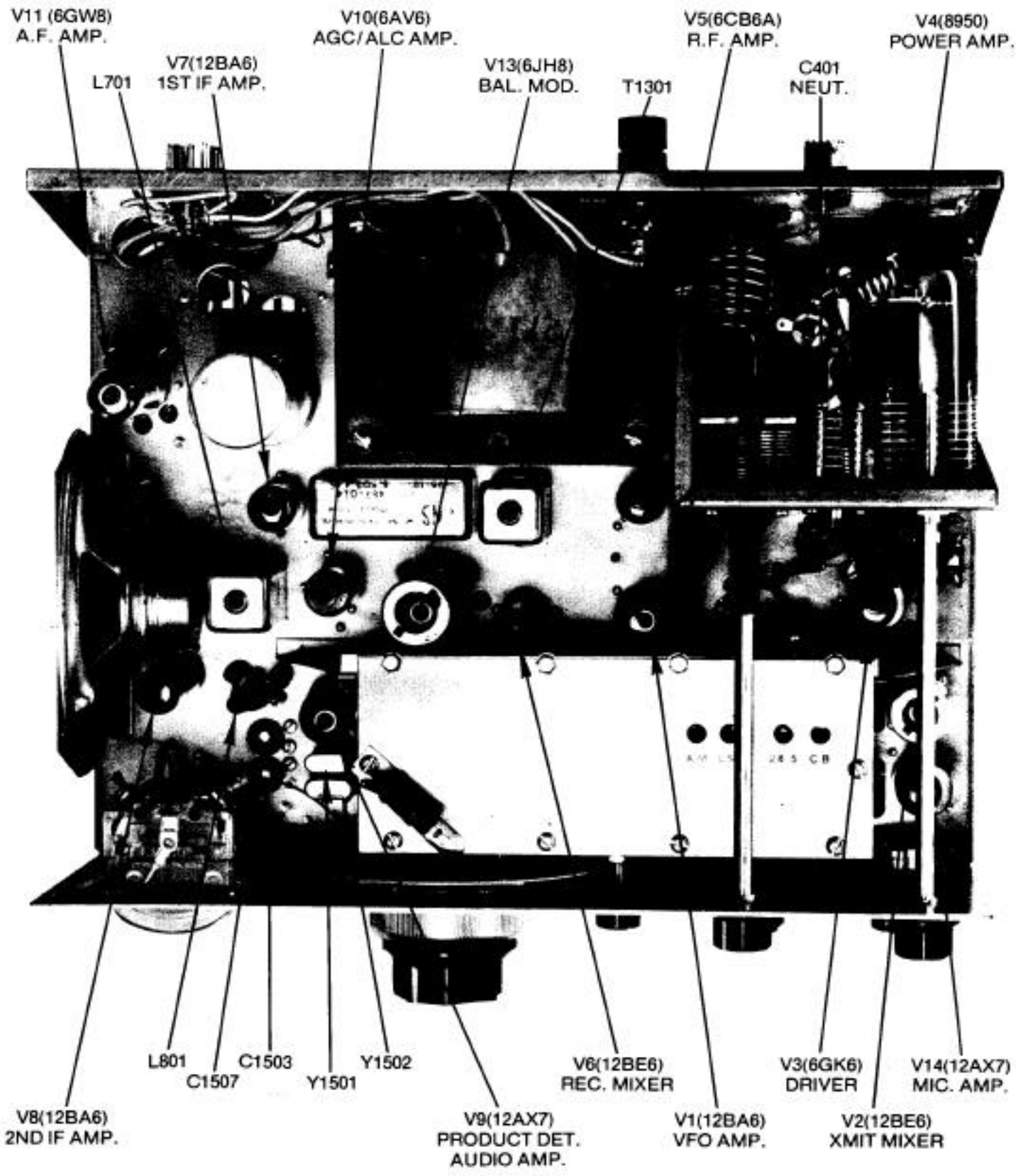


FIGURE 6. SILTRONIX MODEL 1011D, TOP VIEW.

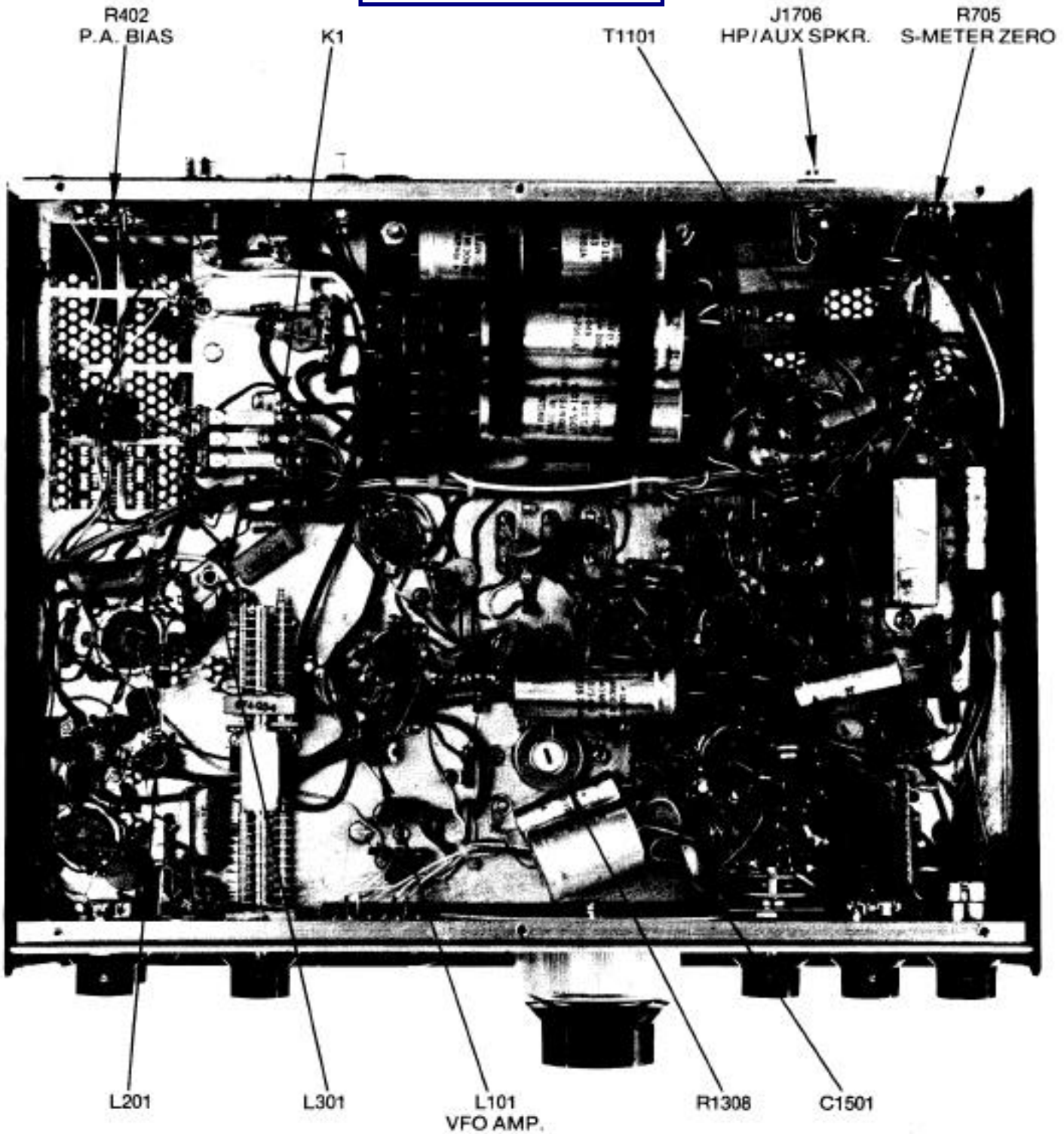



FIGURE 7. SILTRONIX MODEL 1011D, BOTTOM VIEW.



the voltage and resistance measurements of Table 1 are as follows:

RECEIVE:

1. R.F. Gain Control in "minimum" position.
2. Mode Selector Switch in "AM REC" position.
3. Main Tuning Control set to middle of range.
4. Band Switch set to "28.5".
5. Antenna connection terminated in 50 ohm dummy load.
6. A.F. Gain Control;
 - A) In "OFF" position for resistance measurements.

- B) Switch at "ON" position but gain set at "minimum" for voltage measurements.
7. ANL in "OFF" position.
8. Spot Switch in "OFF" position.

TRANSMIT:

1. Mic Gain Control in "minimum" position.
2. Band Switch set to "28.5".
3. Transmitter fully tuned in middle of band.
4. Voltage measured with Tune-Rec Switch in "TUNE" position. .

NOTE: All voltages/resistances are plus or minus 20%.

TABLE 1. VOLTAGE AND RESISTANCE MEASUREMENTS.

Voltage measurements were taken using a HEWLETT PACKARD Model 410C/B VTVM. Resistance measurements were taken using a SIMPSON Model 260 Volt-Ohm meter. Refer to other conditions for measurements on page 19.

TUBE TYPE	R = Rec. T = Trans.	Socket Pin Numbers								
		1	2	3	4	5	6	7	8	9
V1 12BA6 VFO Amp.	R Volts T Volts Ohms	0 0 85Ω	0 0 0	0 0 0	12.6AC 12.6AC 0	130 120 >50K	40 38 100K	.38 .38 60Ω		
V2 12BE6 Trans. Mixer	R Volts T Volts Ohms	-2.5 -2.5 100K	0 0 0	0 0 0	12.6AC 12.6AC 0	212 195 >50K	-2.5 105 25K	0 -10.0 25K		
V3 6GK6 Driver	R Volts T Volts Ohms	0 .9 10Ω	-6.2 -6.2 50K	0 0 0	12.6AC 12.6AC 0	6.3AC 6.3AC 0	NC NC NC	260 230 >30K	0 170 100Ω	0 0 0
V5 6CB6A Rec. R.F.	R Volts T Volts Ohms	-.35 -9.5 26K	0 0 0	6.3AC 6.3AC 0	12.6AC 12.6AC 0	215 200 >30K	95 -4.6 >40K	0 0 0		
V6 12BE6 Rec. Mixer	R Volts T Volts Ohms	-4.0 -3.8 82Ω	0 0 0	0 0 0	12.6AC 12.6AC 0	260 220 >40K	95 0 100K	-.7 -10.0 56Ω		
V7 12BA6 1st I.F.	R Volts T Volts Ohms	-1.2 -1.5 100K	0 0 0	0 0 0	12.6AC 12.6AC 0	200 165 >30K	100 95 40K	0 0 0		
V8 12BA6 2nd I.F.	R Volts T Volts Ohms	-1.5 -33 13K	0 0 0	0 0 0	12.6AC 12.6AC 0	195 0 >30K	95 0 >40K	0 0 0		
V9 12AX7 Det. A.F.	R Volts T Volts Ohms	95 -4.3 370K	-2.5 -3.6 7.5Ω	0 0 270	0 0 0	NC NC NC	125 0 125K	-1.1 -1 1M	0 0 0	6.3AC 6.3AC 0
V10 6AV6 AGC Amp.	R Volts T Volts Ohms	0 0 500K	1.7 1.4 5K	6.3AC 6.3AC 0	12.6AC 12.6AC 0	NC NC NC	0 -.37 ∞	210 165 >40K		
V11 6GW8 A.F. Output	R Volts T Volts Ohms	0 0 110Ω	1.5 .4 2.7K	215 0 >30K	0 0 0	6.3AC 6.3AC 0	255 225 >30K	6.5 0 270Ω	0 -.85 1.1M	155 -.2 120K
V13 6JH8 Bal. Mod.	R Volts T Volts Ohms	0 0 3K	0 9 110K	0 90 6K	6.3AC 6.3AC 0	0 0 0	-2 -1.8 25K	0 0 0	0 130 14K	0 130 14K
V14 12AX7 Mic. Amp	R Volts T Volts Ohms	55 55 820K	-.47 -.47 2M	0 0 0	0 0 0	12.6AC 12.6AC 0	-42 76 200K	0 0 0	.13 .53 1K	NC NC NC
		1	2,6	3,11	4,10	5,9	7,8	12	PLATE	
V4 8950 Pwr. Amp	R Volts T Volts Ohms	0 0 0	0 22 3Ω	0 175 100	0 0 0	-60 -60 18K	NC NC NC	12.6AC 12.6AC 0	+840 +750	

TABLE 2. TROUBLESHOOTING GUIDE.

DEFECT	POSSIBLE CAUSE
PA Idling Current Unstable	<ol style="list-style-type: none"> 1. Defective Power Amplifier Tube (V4). 2. Defective BIAS control and/or associated components. 3. Defective bias power supply.
Inability to Load per Operation Instructions	<ol style="list-style-type: none"> 1. Antenna not resonant at operating frequency. 2. Defective transmission line. 3. Defective antenna loading coil(s). 4. Tubes V1 through V4 defective.
Insufficient Sideband Suppression	<ol style="list-style-type: none"> 1. Carrier Oscillator (Q3) operating on incorrect frequency. 2. Crystal filter defective or mistuned.
Insufficient Carrier Suppression	<ol style="list-style-type: none"> 1. Tube V13 defective. 2. Transformer T1301 defective or mistuned. 3. Carrier Oscillator (Q3) operating on incorrect frequency.
Microphonics in Transmitter	<ol style="list-style-type: none"> 1. Tubes V13 and/or V14 defective. 2. IF coil L701 Defective or incorrectly adjusted. 3. Microphone defective.
Low Receiver Sensitivity	<ol style="list-style-type: none"> 1. Tubes V5 through V10 defective. 2. Incorrect adjustment of the transmitter Pi-Network. 3. IF coil L801 incorrectly adjusted or defective. 4. K1 relay contacts defective.

TABLE 3. VFO AND CARRIER OSCILLATOR FREQUENCIES

Tuning Dial	V1 Injection Frequency	Q1 Osc. Frequency	Q3 Osc. Carrier Frequency
26,950 KC	21,450 KC	(1/2) 10,725 KC	5500 KC
27,260 KC	21,760 KC	(1/2) 10,880 KC	5500 KC
28,500 KC	23,000 KC	(1/2) 11,500 KC	5500 KC
29,000 KC	23,500 KC	(1/2) 11,750 KC	5500 KC

PARTS LIST

CAPACITORS

Unless otherwise specified, capacitors are listed in pico farads with a whole number and in micro farads with a decimal number.

C101	0.01, +80, -20%, 500V Disc.
C102	0.002, 20%, 1KV Disc.
C103	27pf Disc.
C105	15pf Disc.
C106	5pf Disc.
C107	2pf Disc.
C110	0.01, +80, -20%, 500V Disc.
C111	0.002, 20%, 1KV Disc.
C112	100pf, 500V Disc.
C202	0.002, 20%, 1KV Disc.
C203	470pf SM
C204	2pf, 500V Ceramic
C205	0.002, 20%, 1KV Disc.
C206	1.5pf
C207	0.01
C2A	20pf Driver Tuning
C2B	20pf Driver Tuning
C302	0.002, 20%, 1KV Disc.
C303	510pf SM
C304	0.002, 20%, 1KV Disc.
C305	5pf
C401	20pf Neut. Trimmer
C402	15pf, 3KV Disc.
C403	0.01, +80, -20%, 500V Disc.
C404	0.002, 20%, 1KV Disc.
C405	0.01, +80, -20%, 500V Disc.
C406	270pf, 2500V Mica
C407	40pf P.A. Tune
C408	410pf P.A. Load
C409	0.01, +80, -20%, 500V Disc.
C410	0.01, +80, -20%, 500V Disc.
C501	0.01, +80, -20%, 500V Disc.
C502	0.01, +80, -20%, 500V Disc.
C503	30pf Disc.
C601	0.01, +80, -20%, 500V Disc.
C602	220pf Disc.
C603	430pf SM
C701	1 mfd., 50V
C702	50pf Disc.
C703	0.01, +80, -20%, 500V Disc.
C704	0.01, +80, -20%, 500V Disc.
C705	2pf Disc.
C706	0.01, +80, -20%, 500V Disc.
C801	0.01, +80, -20%, 500V Disc.
C802	0.01, +80, -20%, 500V Disc.
C803	0.01, +80, -20%, 500V Disc.
C804	50pf Disc.
C805	50pf Disc.
C806	2 mfd., 450V
C901	220pf Disc.
C902	0.002, 20%, 1KV Disc.
C903	150pf Disc.
C904	2 mfd., 450V
C905	500pf Disc.
C906	0.002, 20%, 1KV Disc.
C907	40 mfd., 350V
C1001	0.05, 200V, Mylar
C1002	0.05, 200V, Mylar
C1003	0.001, 20% Disc.
C1004	0.01, +80, -20%, 500V Disc.
C1005	0.001, 20% Disc.
C1006	0.001, 20% Disc.
C1007	0.001, 20% Disc.
C1101	220pf Disc.
C1102	0.002, 20%, 1KV Disc.
C1103	500pf Disc.
C1104	0.01, 10%, 1KV Tubular
C1105	20 mfd., 25V
C1106	2 mfd., 450V
C1301	0.01, +80, -20%, 500V Disc.
C1302	0.01, +80, -20%, 500V Disc.
C1303	0.01, +80, -20%, 500V Disc.
C1304	0.01, +80, -20%, 500V Disc.
C1305	0.01, +80, -20%, 500V Disc.
C1306	220pf Disc.
C1307	0.002, 20%, 1KV Disc.
C1401	0.01, +80, -20%, 500V Disc.
C1402	0.1, 10%, 400V Mylar
C1403	0.01, +80, -20%, 500V Disc.
C1404	0.01, +80, -20%, 500V Disc.
C1405	0.1, 10%, 400V Mylar
C1406	100pf Disc.
C1407	0.01, +80, -20%, 500V Disc.
C1501	6-30pf Ceramic Trimmer
C1502	10pf Disc.
C1503	6-30pf Ceramic Trimmer
C1504	270pf SM
C1505	270pf SM
C1506	0.01, +80, -20%, 500V Disc.
C1507	30pf
C1601	Selected Value
C1602	5pf Trimmer
C1603	5pf Trimmer
C1605	Selected Value
C1608	10pf Main Tuning
C1609	Selected Value
C1610	2pf Dial Set
C1611	20pf Disc.
C1612	270pf SM
C1613	5-30pf Ceramic Trimmer
C1614	0.01, +80, -20%, 500V Disc.
C1615	0.01, +80, -20%, 500V Disc.
C1616	300pf SM
C1617	27pf SM
C1618	0.01, +80, -20%, 500V Disc.
C1619	0.01, +80, -20%, 500V Disc.
C1620	0.002, 20%, 1KV Disc.
C1621	5-30pf Ceramic Trimmer
C1622	0.01, +80, -20%, 500V Disc.
C1701	0.01, +80, -20%, 500V Disc.
C1702	100 mfd., 35V
C1703	0.01, +80, -20%, 500V Disc.
C1705	0.0047, 1KV
C1706	0.0047, 1KV
C1707	150 mfd., 150V
C1708	100 mfd., 350V
C1709	100 mfd., 350V
C1710	0.002, 20%, 1KV Disc.
C1711	0.01, +80, -20%, 500V Disc.
C1712A	80 mfd., 100V
C1712B	80 mfd., 100V
C1712C	5 mfd., 400V
C1712D	5 mfd., 400V
C1713	150 mfd., 150V
C1714	150 mfd., 150V

DIODES

D201	1N914
D401	1N34A
D501	1N914
D701	1N914
D702	1N914
D703	1N914
D901	1N34A
D1001	1N914
D1002	1N34A
D1003	1N34A
D1601	1N914
D1701	1N4005
D1702	1A, 600V
D1703	-1711 RCA 39804
D1712	1N4742 Zener

RELAYS

K1 3PDT Relay, 12 VDC Coil

COILS

L101	VFO Amp
L201	Trans. Mixer
L301	Driver
L302	82uh Choke
L401	82uh Choke
L402	55uh Choke
L403	PI-Network
L404	30uh Choke
L701	5500 KHz IF
L801	5500 KHz IF
L1501	200uh Choke
L1601	VFO Coil
L1602	200uh Choke
L1603	200uh Choke
L1701	200uh Choke
L1702	17uh Choke
Z401	Parasitic Suppressor

TRANSISTORS

Q1	2N706 Oscillator
Q2	2N5130 Buffer
Q3	2N706 Car. Oscillator

RESISTORS

All resistors are 1/2 watt 10% tolerance unless otherwise specified.

R101	82 Ohm
R102	47K Ohm
R103	10K Ohm, 2W
R104	56 Ohm
R201	27K Ohm
R202	100K Ohm
R204	10K Ohm, 2W
R205	470K Ohm
R206	2.7K Ohm
R207	100K Ohm
R301	100K Ohm
R302	100K Ohm
R303	10 Ohm
R304	100 Ohm
R401	100 Ohm
R402	25K Ohm Bias Pot
R403	4.7K Ohm
R404	1K Ohm
R405	3 Ohm, 5W
R406	100 Ohm, 5W
R407	2.7K Ohm
R408	15K Ohm
R501	100K Ohm
R502	220K Ohm
R503	470 Ohm
R504	10K Ohm
R505	25K Ohm RF Gain Pot
R506	10K Ohm
R507	470K Ohm
R601	470K Ohm
R701	1.5K Ohm
R702	33K Ohm, 2W
R703	1K
R704	47K Ohm
R705	25K Ohm, S-Meter Zero
R706	15K Ohm
R707	47K Ohm, 2W
R708	100K Ohm
R801	100K Ohm
R802	1K Ohm
R803	4.7K Ohm
R901	100K Ohm
R902	270 Ohm
R903	270K Ohm
R904	47K Ohm
R905	10M Ohm
R906	1M Ohm
R907	47K Ohm
R908	100K Ohm
R909	1K Ohm, 1W
R1001	1M Ohm

R1002	270K Ohm
R1003	470K Ohm
R1004	4.7K Ohm
R1005	15K Ohm
R1006	2.2M Ohm
R1007	270K Ohm
R1008	2.2M Ohm
R1009	100K Ohm
R1010	150K Ohm, 1/2W
R1101	1M Ohm AF Gain Pot
R1102	2.7K Ohm
R1103	100K Ohm
R1104	1M Ohm
R1105	270 Ohm
R1106	680 Ohm, 1/2W
R1301	1K Ohm
R1302	10K Ohm
R1303	10K Ohm
R1304	270K Ohm
R1305	10K Ohm, 1W
R1306	27K Ohm
R1307	27K Ohm
R1308	5K Ohm Car. Bal. Pot.
R1309	1K Ohm
R1310	100K Ohm
R1311	27K Ohm
R1312	Selected Value
R1313	5K Ohm Car. Ins. Pot.
R1401	15K Ohm
R1402	47K Ohm
R1403	1K Ohm
R1404	1M Ohm Mic. Gain Pot
R1405	270K Ohm
R1406	470K Ohm
R1407	2.2M Ohm
R1408	47K Ohm
R1501	47K Ohm
R1502	68K Ohm, 2W
R1503	22K Ohm
R1504	2.2K Ohm
R1505	1.5K Ohm
R1506	100 Ohm
R1507	47K Ohm
R1601	2.7K Ohm
R1602	1.5K Ohm
R1603	1K Ohm
R1604	4.7K Ohm
R1605	470 Ohm
R1606	2.7K Ohm
R1607	1K Ohm
R1608	470 Ohm
R1609	470 Ohm
R1610	4.7K Ohm
R1701	10K Ohm, 2W
R1702	4.7 Ohm
R1703	150K Ohm, 2W
R1704	150K Ohm, 2W
R1705	800 Ohm, 10W
R1706	1.2K Ohm, 5W
R1707	270K Ohm
R1708	2.7K Ohm
R1709	800 Ohm, 10W

R1710	500 Ohm, 10W
-------	--------------

SWITCHES

S1A-B	Bandswitch
S2	Power Off/On (Part of RF Gain)
S3	Rec. Tune
S4	P.A. Cath./S-Meter
S5	ANL
S6	Sideband Selector

TRANSFORMERS

T1101	A.F. Output Trans.
T1301	5500 KHz Bal. Mod. Trans.
T1701	Power Trans.

TUBES

V1	12BA6 VFO Amp
V2	12BE6 Trans. Mixer
V3	6GK6 Driver
V4	8950 Power Amp.
V5	6CB6A Rec. RF Amp.
V6	12BE6 Rec. Mixer
V7	12BA6 First IF Amp.
V8	12BA6 Second IF Amp.
V9	12AX7 Prod. Det/ Rec. Audio
V10	6AV6 AGC/ALC Amp
V11	6GW8 AF Output
V13	6JH8 Bal. Mod.
V14	12AX7 Trans. AF/Mic. Amp.

CRYSTALS

Y1501	5500 KHz Carrier Osc.
Y1502	5504.6 KHz Carrier Osc.

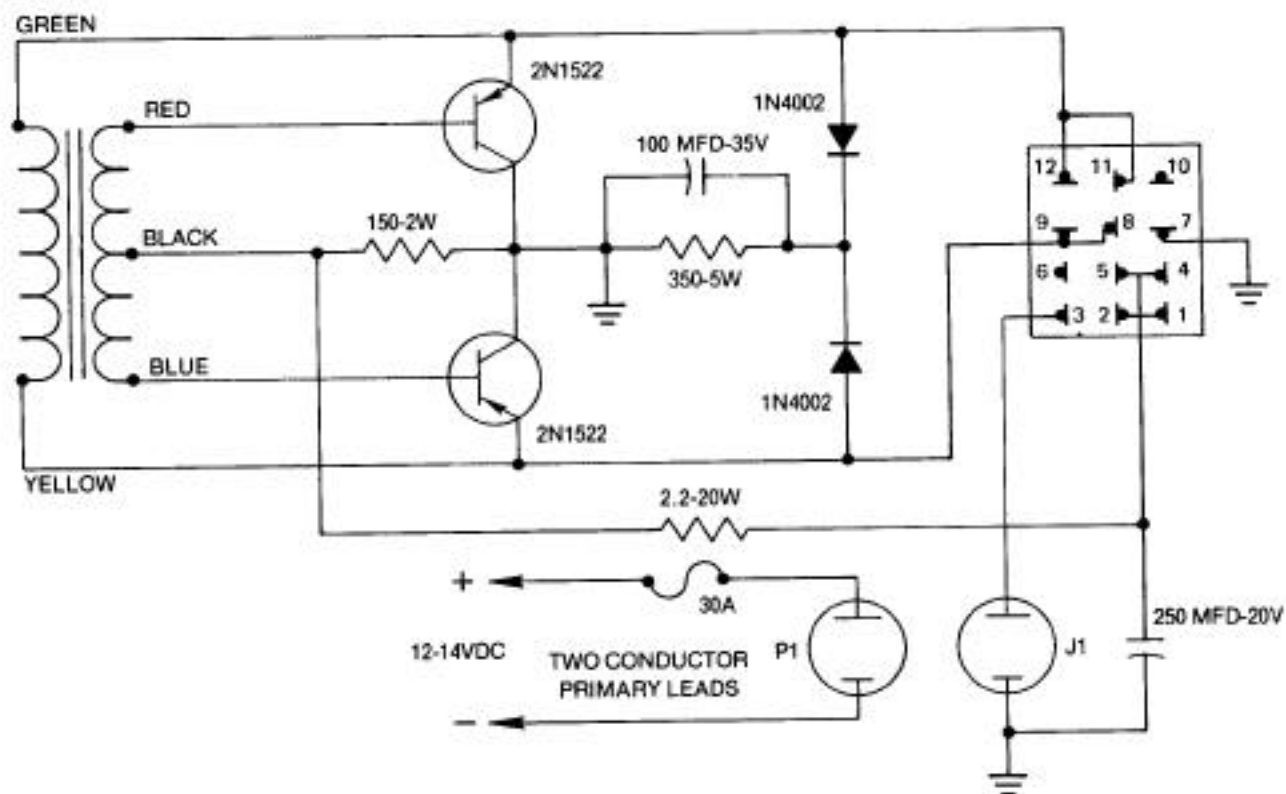
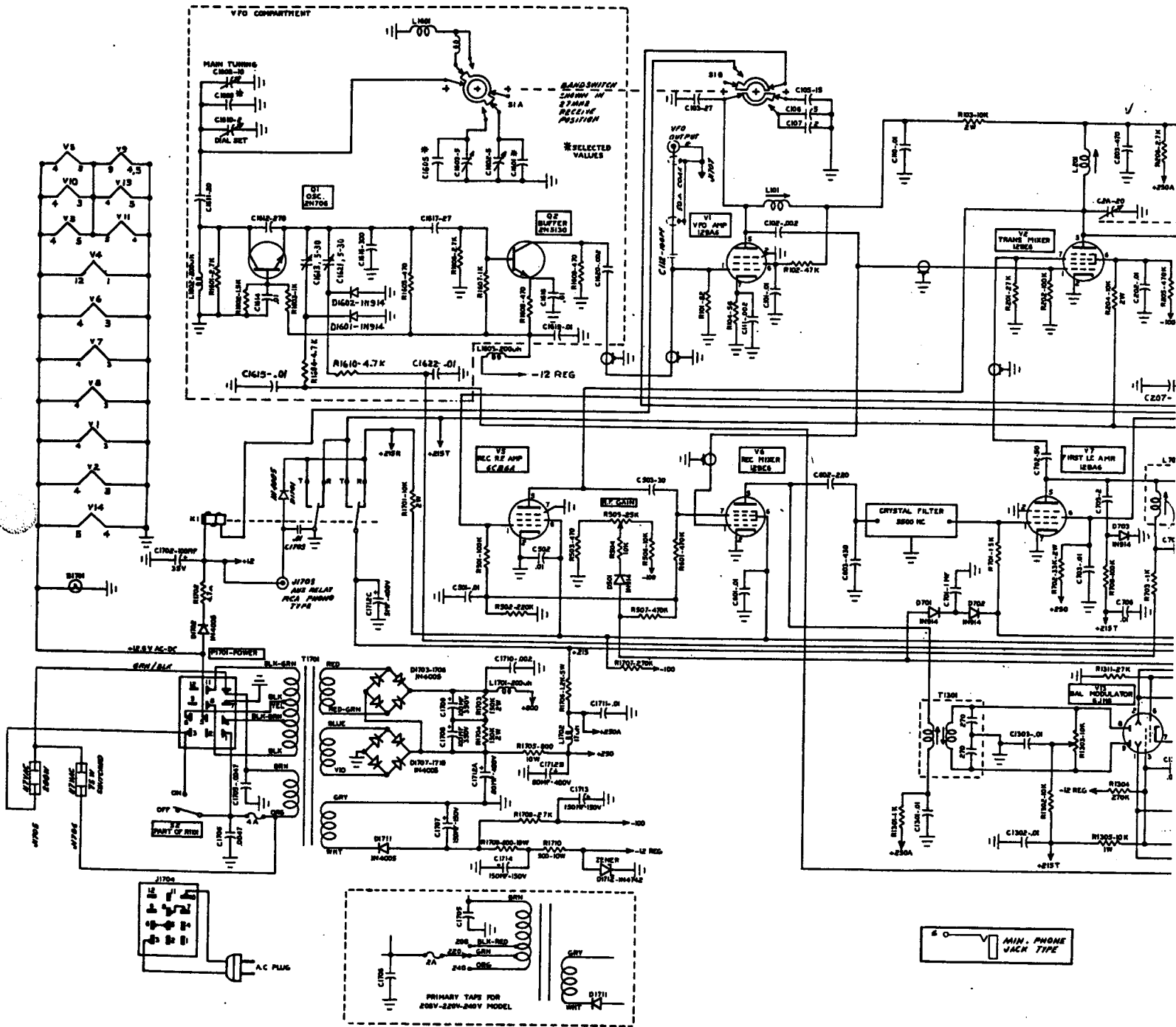


FIGURE 8. SCHEMATIC DIAGRAM, MODEL 14A POWER SUPPLY

Downloaded by RadioAmateur.EU



MIN. PHONE JACK TYPE

LIMITED WARRANTY POLICY

SILTRONIX warrants this equipment against defects in material or workmanship, except for tubes and solid-state devices, under normal service for a period of six (6) months from original purchase date. Tubes and solid-state devices are warranted for a period of ninety days (90) days. This warranty is valid only if the enclosed warranty registration card is properly completed and mailed to the factory within ten (10) days of purchase date.

If warranty service is required, do not ship equipment to the factory without prior authorization obtained from the SILTRONIX factory. This warranty is limited to repairing or replacing the defective parts only and is not valid if the equipment has been tampered with, mis-used or damaged.

Liability for damage during shipment lies with the carrier and not with SILTRONIX. Any claims or adjustments for shipping damages must be filed directly with the carrier.

THE LIABILITY OF THE COMPANY ON THIS EQUIPMENT IS LIMITED TO THE EXPRESS TERMS OF THE WARRANTY PROVIDED ABOVE. NO WARRANTY OF MERCHANTABILITY AND NO WARRANTY OF FITNESS FOR A PARTICULAR USE IS IMPLIED IN THIS SALE.

Siltronix Swan 1011 Transceiver, Carrier Oscillator Alignment.

By: Skipp May

I will assume you have received a Siltronix or Swan 1011 Transceiver, which probably requires alignment of the internal carrier oscillators. Improper adjustment of these two oscillators will make the radio pretty much unusable. The most common cause of trimmer capacitor miss-adjustment is the result of a visit by the "golden screwdriver hack tech."

Typical Symptoms: Very poor or restricted audio during receiver operation. Poor or distorted transmit audio, power output erratic and uncontrolled mode operation. IE tune, load, power and mic gain adjustments don't function as expected or described in the manual.

You will need to understand what a typical modulated AM Radio "Signal" looks like on a spectral display or paper graph. This common graph is often shown depicted in ARRL and "W6SAI Radio" Handbooks as a centered carrier signal peak (up from a bottom graph baseline), with at least two smaller sideband peaks, one to each side of the center carrier. The two sideband peaks contain the voice information. Just to follow through, I'll mention that only one sideband is required for communications as the voice information in both the Upper & Lower Sidebands is the same. Hence the communications mode labeled Single Side Band (SSB).

Looking at figure 5, page 15 of the Siltronix Owners Manual, a similar type of spectral display is shown. It just happens to be the very important graph of the transceiver crystal filter response. Note the horizontal "X-axis" shows the spectral (frequency) "bandwidth" and the vertical "Y-axis" displays the (amount) "response" above or below a base line. A spectral display/graph of an AM Carrier would be very similar to figure 5, the X-Y scale values would be different and a zero base line would be at the bottom. Add a bit more width to the figure 5 graphic along with the two sideband "peaks", one on each side and you've pretty much got an idea of what the classic modulated AM waveform should look like.

After all that is said and done, I want to bring up a few points that are the focus of the alignment. The carrier may be shown with some measure/value of horizontal width to its peak, which is not a big concern now. The width of the two sidebands, are of great interest, of which you need to know or assume their values. For the rest of this text, assume the width to be the standard HF radio SSB bandwidth of about 3Khz (kilohertz) per sideband. In typical SSB Radio operation, each sideband will be about 3KHz in width ("wide"). A complete AM signal has both 3Khz sidebands (although only one is required), and the carrier, which is given a typical "high fidelity" 10Khz bandwidth. One can remove a sideband and use only 6Khz bandwidth with the same results.

The Siltronix Swan 1011 produces an AM mode waveform of only one sideband and the carrier using the internal 6Khz wide crystal filter. It's an efficient and simple method to produce AM mode operation in this type of radio. Since SSB has a smaller bandwidth requirement, it uses the same crystal filter.

The goal of the carrier oscillator alignment is to properly position the internal generated "AM signal" in front of the crystal filter window. The crystal filter will then remove the at least one sideband (in the am mode) along with the carrier (in any one of the sideband modes. The just above text says it all and is well worth reading again.

How to do the "rough" basic oscillator alignment:

You will need a quality wattmeter and a dummy load (termination) that can handle at least 40 watts constant power (100% duty cycle), a set of the proper size plastic shaft adjustment screwdrivers, which fit into the trimmer slots and a copy of the manual.

If the radio needs a complete alignment, do this portion first. Then align the remaining radio sections per the manual and return to recheck the carrier oscillator positions. A partially working radio should allow the proper adjustment of the carrier oscillators. In extreme cases of miss alignment, one might try a combination of both alignments to achieve a response from a "dead radio."

Allow the radio to warm up at least 20 minutes, for now remove the microphone and place the radio RF output into a dummy load through a wattmeter. Have all but two of the cover screws out so the cover can be safely removed. If the radio has been hit with a screwdriver (most have) adjust the rear panel PA bias knob to about 1/3 rotation up from off (off is full counter clockwise rotation). This gives you a relatively safe final tube bias value to start off your alignment.

Place the AF gain at 1/2, the RF gain ("full on") at full clockwise, the mode switch in AM, the pre selector-driver at mid range position, the mic gain off (full counter clock wise), the carrier insertion about the 9AM position, the tune and load control knobs about mid range. Turn the AF gain (volume control) nearly completely on/up. You should then be able to hear a white noise hiss from the speaker. Rotate the pre-selector/driver control through its range, hopefully at some point, you will hear the background noise rise and fall back. You want to adjust the control for peak noise, adjusting the AF gain down to ensure safe hearing levels. You only need enough volume to hear and peak the background noise.

Depending on the version of radio and its state of alignment, the tune and load controls might also peak the resting receiver background noise. Adjust the tune, load and the pre selector/driver controls for peak background noise (hiss). These adjustments place the actual tuning

controls relatively close to their actual working value. If the tune or load control doesn't change the noise level, return it to near mid position and proceed to the next step.

Now we need to quickly peak the same three controls in the transmit mode for max power into the dummy load. Key the radio with the front mounted tune switch and peak the three knobs for max power. Hopefully you will have some type of carrier output. If you have no carrier output, replace the mic into the proper jack and try keying the transmitter. Hard to do without three hands, but again you should quickly adjust the three controls for max power output to the dummy load, as indicated on the wattmeter. If you have no readable output power, repeat the above on any one of the sideband modes. After trying all of the above without a readable power output, you should contact a GOOD TECHNICIAN WHO KNOWS TUBE HF RADIOS WELL, as there is a serious problem. It really doesn't matter how much power you get from the radio at this time, but you do need to see anything from a few watts to well over one hundred.

Now we will assume the controls are near their most optimum positions. Carefully lifting the radio up or placing in on its side, locate the bottom carrier balance control. Key the radio with the MIC ONLY; turn the carrier insertion and the mic audio gain off (full counter clockwise). Adjust the bottom carrier balance control for minimum wattmeter power.

With the carrier and mic gain insertion off, the bottom insertion control is used to null (adjust for minimum) carrier. The minimal carrier is desired, but a radio with grossly miss adjusted carrier oscillators might not drop much. You will never remove the entire AM carrier, even from a 100% radio, but you should be able to get it too less than a few watts max. I've been able to get the residual carrier to less than 1/4 watt on a properly aligned radio. If you don't get a large null, try one of the side band modes next. If you fail to null in any position, don't sweat it, we'll fix it very soon. A lot of power is much better than no power (broken radio). Keeping in mind, the bottom carrier balance control is always reset to minimum carrier null on a wattmeter.

You've read many warnings about High Voltage. In the following steps, we'll have the cover off the radio. This means High Voltage is easy to touch when poking around and about the final tube area. BE CAREFULL, DON'T GO NEAR THE FINAL COMPARTMENT! FOR THE NEXT ADJUSTMENTS, USE A PLASTIC HANDLE ALIGNMENT TOOL. It might be time to visit Radio Shack or your local Electronic Parts Store for some basic tuning tools. They really are not that much money and you'll need them for in depth radio stage alignment.

Replace the radio to a normal flat and level position, turn the radio off and remove any remaining top cover screws. Pull the cover straight up and off, set it aside for the moment and turn the radio back on. Note the final tube location and stay away from it during your work.

Using the Manual Pictures as a reference, have a look around inside the radio. Page 18 of the Manual shows a similar top view of the chassis internals. Near the front lower left section of figure 6 (the chassis view) you will see the large carrier oscillator crystals (Y1501 & Y1502) next to the two related trimmer caps (C1507 & C1503). Slap yourself if you've thought about adjusting L801 and forget about it. Your next adjustments will only be to the two trimmer caps, C1507 and C1503. Those two trimmer capacitors are the focal point of this entire text. Find a plastic alignment tool, which properly fits the capacitor top slot.

Take a moment to mark the current trimmer capacitor physical positions as a return reference point (should you become lost). I use a small felt pen or a pencil will do. A bit of acetone (nail polish remover) on a Q-Tip might be required to remove the felt pen marks after the alignment. I later replace the position marks with new final adjustment indications. One capacitor adjusts both one sideband and the AM mode. The other trimmer capacitor adjusts only the remaining sideband oscillator.

With the mic gain and carrier insertion controls off, the mode switch in AM, use a mic to key the radio. Slightly move one of the trimmer capacitors while watching the wattmeter. If anything changes, you have the capacitor adjustment for the AM and one side band modes as described. If you see no output level change on the wattmeter, return the adjustment to its original position and try the other capacitor. One of the two trimmers should make an adjustment in the power output as read on the wattmeter.

Key the radio and quickly run the carrier oscillator AM mode trimmer capacitor back and forth to get an idea of the direction where maximum power can be found. Un-key the transmitter and allow ample cooling time for the final tube. When your again ready, key the radio and run the power up to 30 or more watts with the adjustment, then drop it back down as close to zero as possible. From the >30 watt output dropping back down toward zero, the idea is to stop as close to the first back to zero trimmer position as possible, without going past that first near zero power dip point.

You then move to USB and verify the AM adjustment cap is the same one required for the USB work. Again key the radio and sweep the trimmer while watching the wattmeter. If that same trimmer adjustment doesn't do anything to that sideband try the other side band via the front panel mode switch. Again, your goal is to locate and note which adjustment trimmer common to the AM and one sideband mode.

Once you know which sideband is adjusted in common with the AM trimmer, go back to that trimmer's SSB mode and reset the trimmer to first near zero drop point from a wattmeter read higher power level. You might need to again adjust the bottom carrier balance control at the dip for minimum power. In any SSB Mode, the bottom balance control can and should be null down for minimum power output.

You have just located the trimmer for one SSB mode that is common to the AM mode. Hopefully in the SSB mode for that trimmer, you keyed the radio with the mic (and all the mic gain and carrier insertion controls are set to min/off) and swept the cap to produce a pretty large power output (read on the wattmeter), then reversed the capacitor so the power output drops to the first zero (or very near zero) point and stopped there. You then use the other trimmer capacitor for the remaining SSB mode, adjusted the same way. You will peak it and drop it to the first near zero power point. You may at anytime null a carrier in SSB mode switch positions with the underside carrier balance control. Your almost home now...

Protect your final tube...

On an aligned radio, pressing the front panel meter current switch with the transmitter mic keyed on, check the SSB mode zero signal (minimum RF output) tube current and reset it with the rear panel bias control to the required "Delta" symbol.

From memory, that's about 40mA resting (idle) current. A slight bit high is ok, too low is bad news. After your complete alignment, always recheck the "zero signal anode current" of the final tube per the Owners Manual information. You should now be about ready to Rock and Roll, the Carrier Oscillators are probably close enough to allow you to talk on the radio. Have a friend with an unmodified radio listen to your signal FROM A DISTANCE. If he/she can understand anything you say, the oscillators are on the right filter slope. It doesn't matter if you sound a slight bit goofy or off frequency, just that your radio sounds semi readable and you can be understood. Completion of the Owners Manual alignment and proper operation instructions should clear up most of the remaining problems.

Always a possible technical quirk...

Your alignment might have placed the oscillator on the wrong side/edge of the crystal filter window. If your Signal Audio is totally unreadable on your friend's distant receiver, you might need to repeat the "peak then down to zero" trimmer sweep, but rotate the trimmer capacitor the other direction down from the highest wattmeter reading. This would swap the internal generated signal to the "other side" of the crystal filter window on some radios.

Transmit mode places a generated RF Signal into the "Crystal Filter." In each SSB mode you mic transmit and sweep a trimmer to find the Carrier Oscillator Signal, then remove the unwanted carrier by moving it just outside the filter window, raising or lowering its frequency.

The first zero point read on the wattmeter. Generation of AM is described in the Owners Manual. One section of the modulator circuit is actually unbalanced (AM Mode switch selection) with the front panel carrier insertion control. There is one last separate carrier oscillator adjustment for the AM Mode only. Symptoms are normal SSB Mode operation, but the AM Mode still has problems after you've completed the described trimmer adjustments from this text.

On the circuit diagram a third trimmer capacitor is shown on the LSB-USB-AM Mode Switch in series with one of the Y1501/Y1502 crystals. It is probably mounted on or near the Mode Switch, underneath the bottom cover. In most cases, it is often spared miss adjustment by a Hack Technician by the sheer luck of its physical location. Unless your absolutely sure it needs to be adjusted, leave it alone. I mention it because you might have a radio with every possible adjustment tweaked. They seem to be more the rule vs. the exception these days.

The separate AM trimmer adjustment is similar to the C1507/C1503 procedure. The difference is after a completed carrier null. The AM Mode trimmer is set to bring the carrier back into the filter window. The first rise or peak up from the carrier null is probably near the position you want the oscillator placed. It should not change the SSB Modes although it is interactive with that entire section. For the most part, hope that specific AM mode offset capacitor has remained in its original factory set position.

Your Now Homeward bound...

On a good radio, you've done all you need to do. On a tweaked radio, you will now be ready to complete the remaining alignments as described in the manual. You should now be able to adjust AM mode transmit carrier power using the front panel insertion control. The bottom carrier balance should be reset for min carrier in the SSB modes over the next few operations.

You will always have a small carrier in the AM mode, even with the insertion control off (full CCW rotation). Never run over 25 watts AM Power unless you want to buy 8950 PA tubes. On SSB modes, set the mic gain up at 2/3 or 3/4 rotation and have fun. A non-powered Astatic D104 crystal cartridge mic works best with the Siltronix transceivers. It has a high impedance microphone audio input.

See the <http://sonic.ucdavis.edu/siltronix> web page for other tips, thoughts and maintenance ideas.

Good luck, Feel free to Email if you have any questions.

Cheers and enjoy your radio

73's

Skipp

skipp@pilot.ucdavis.edu

Downloaded by
RadioAmateur.EU