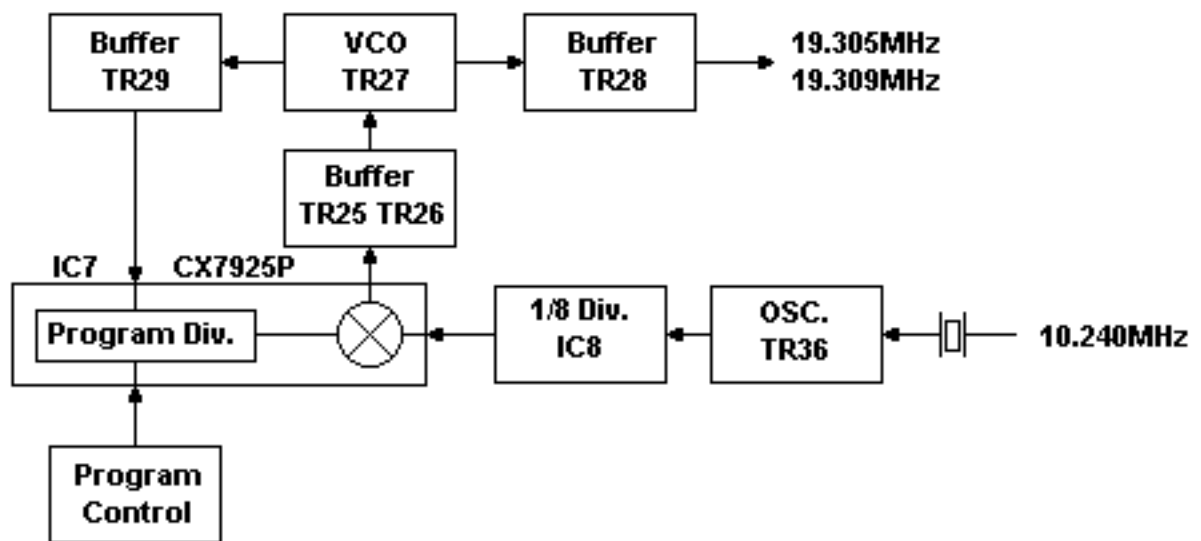
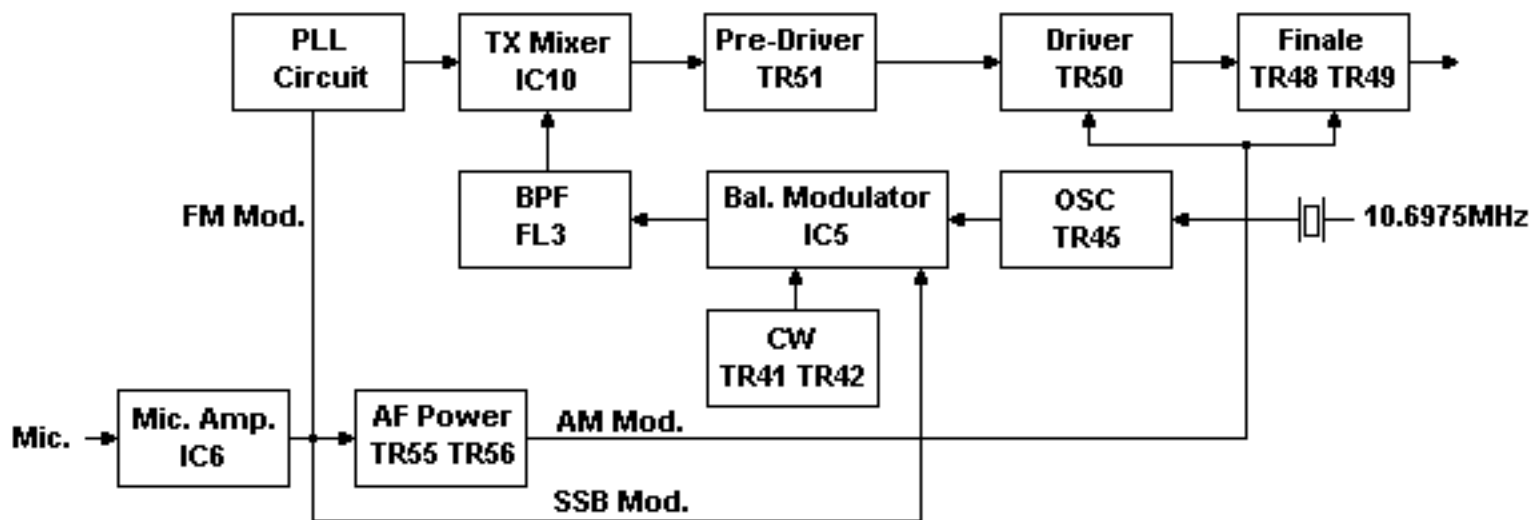


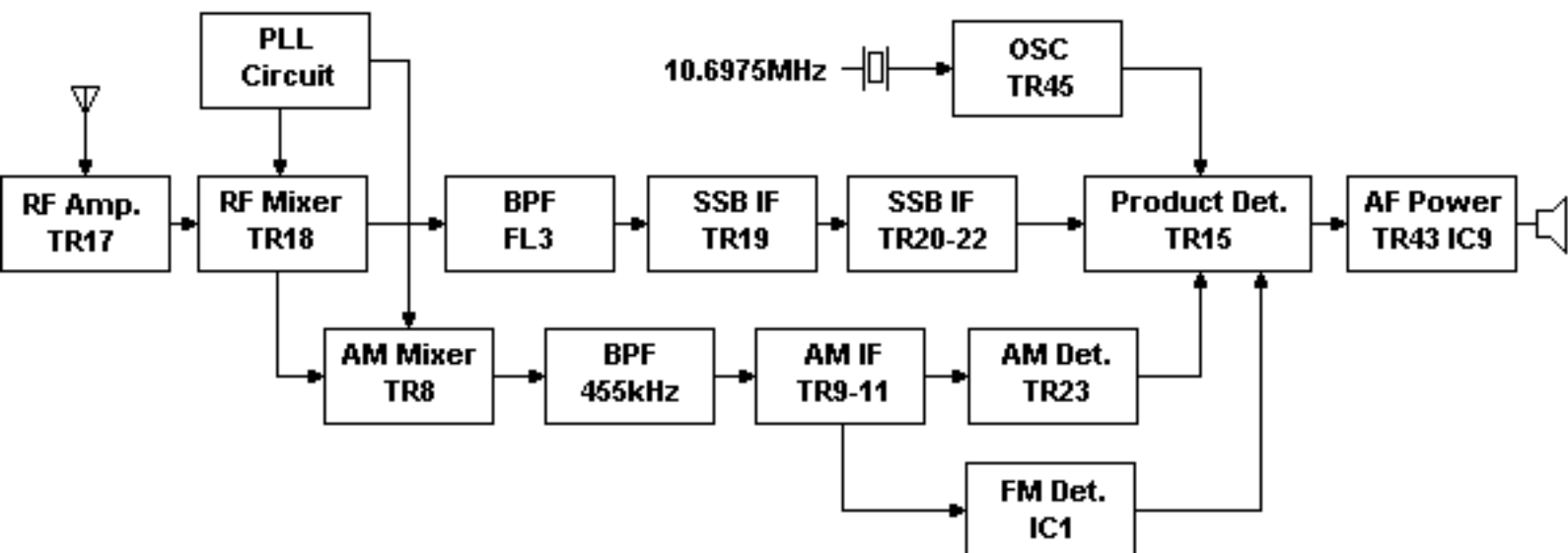
## PLL Circuit

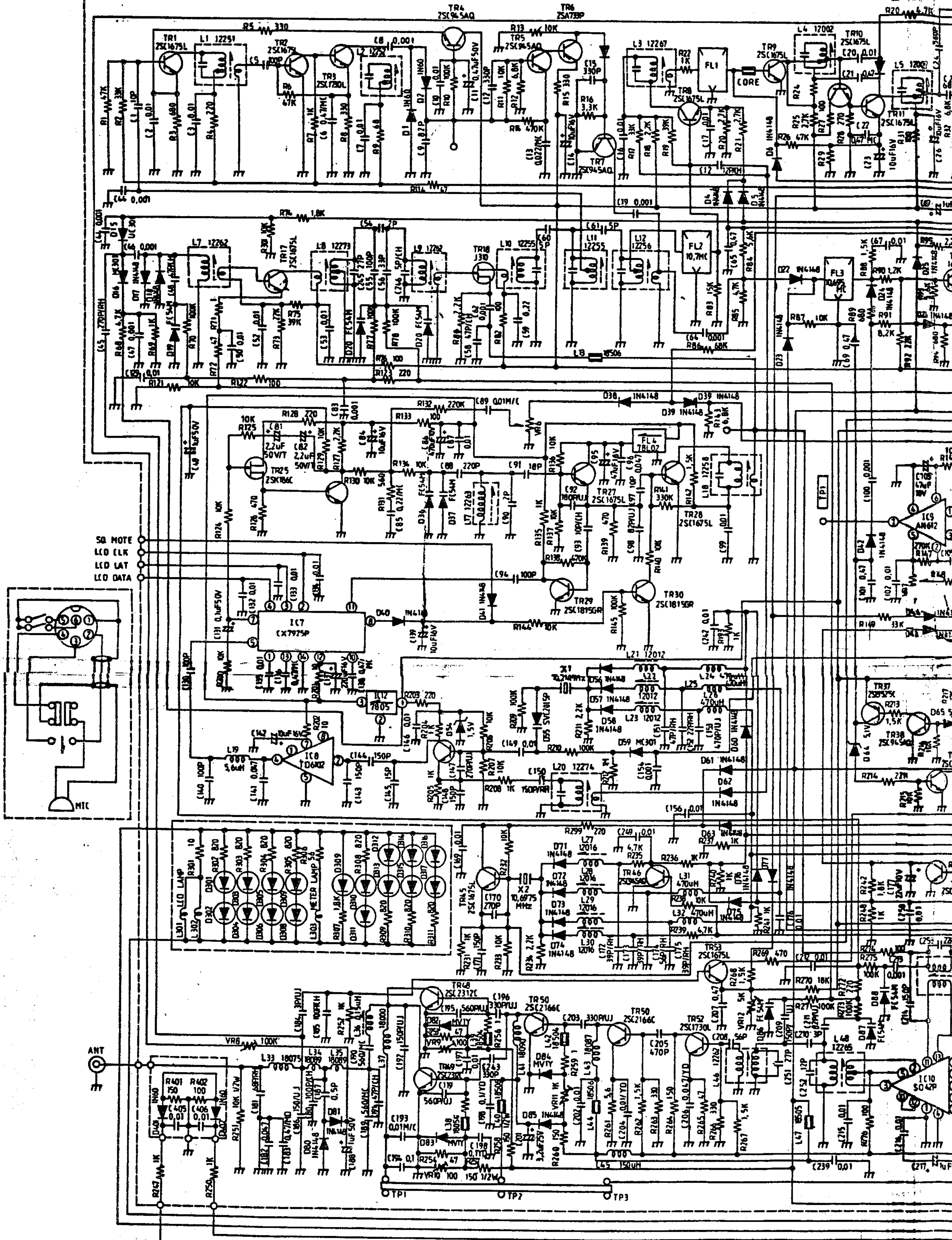


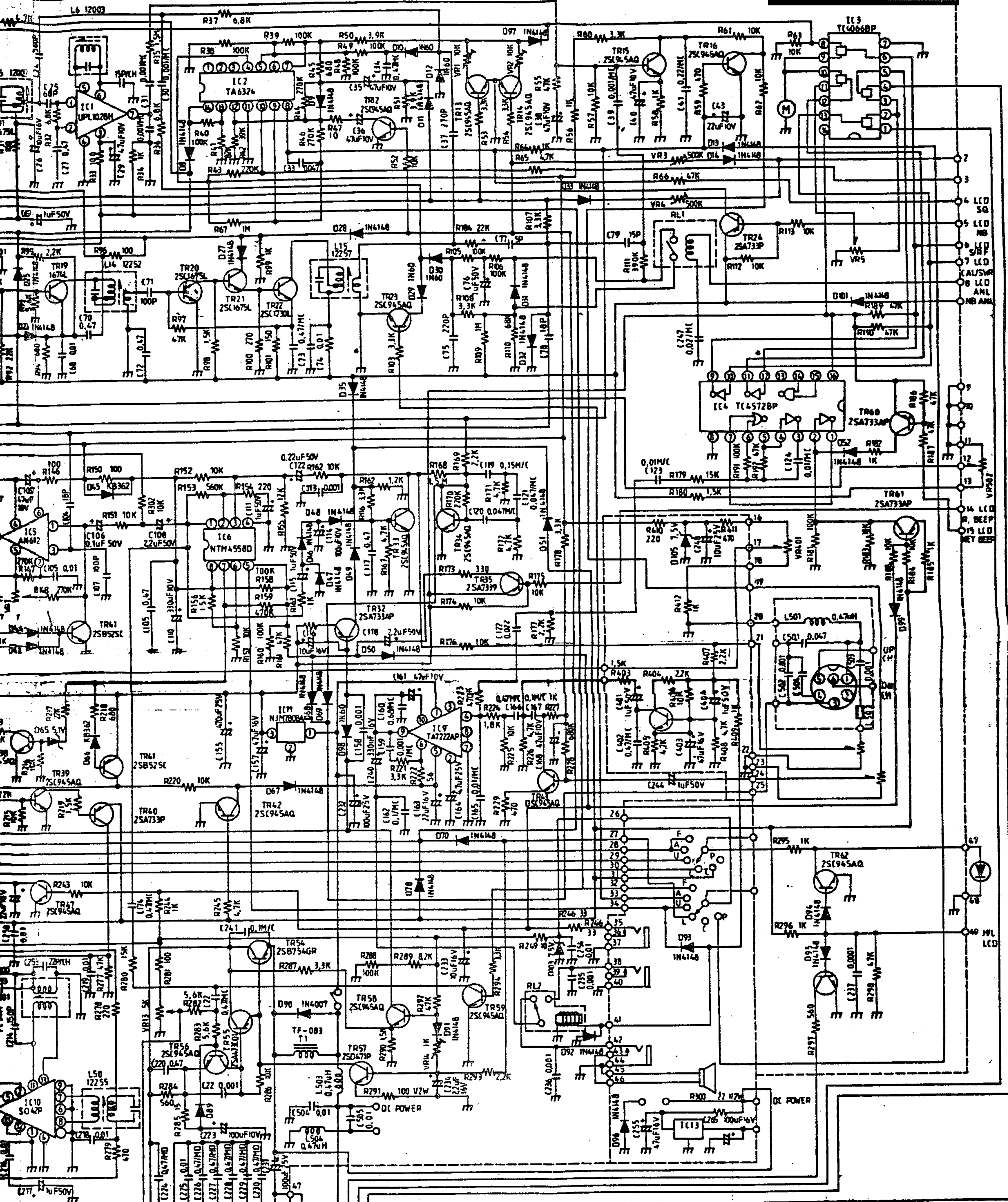
## Transmitter



## Receiver







Amateur Radio Directory

Data: 2003.01.26 22:30:18 + 01'00'

Sommerkamp TS 789 dx

MODE			
TITLE		SCHEMATIC DIAGRAM	
APPROVER	CHECKED	DRAWER	DATE
			77 / 16
DRWG			