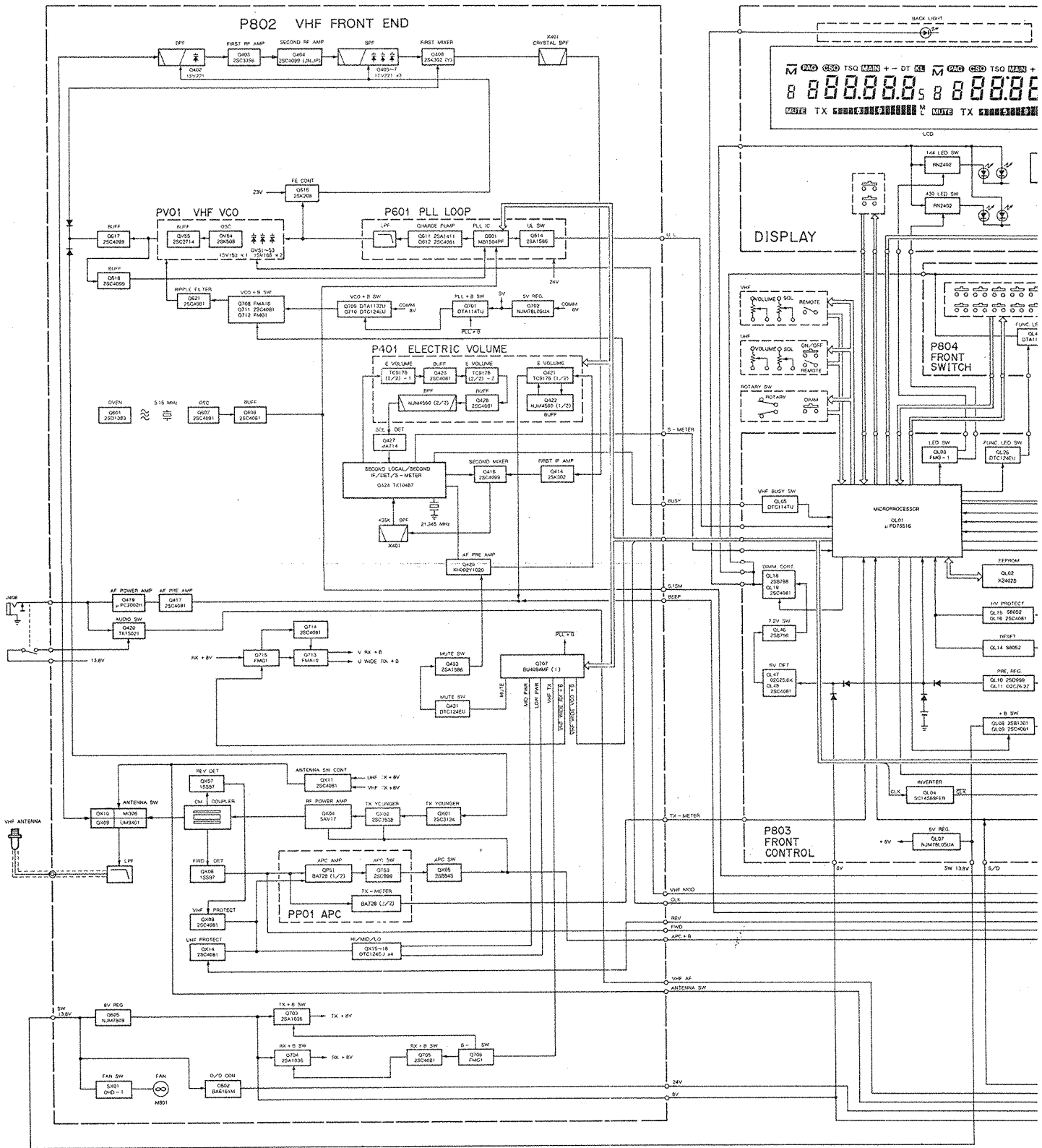
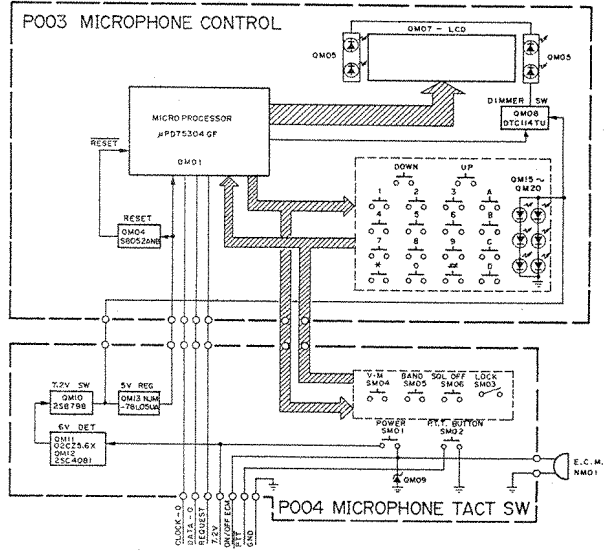
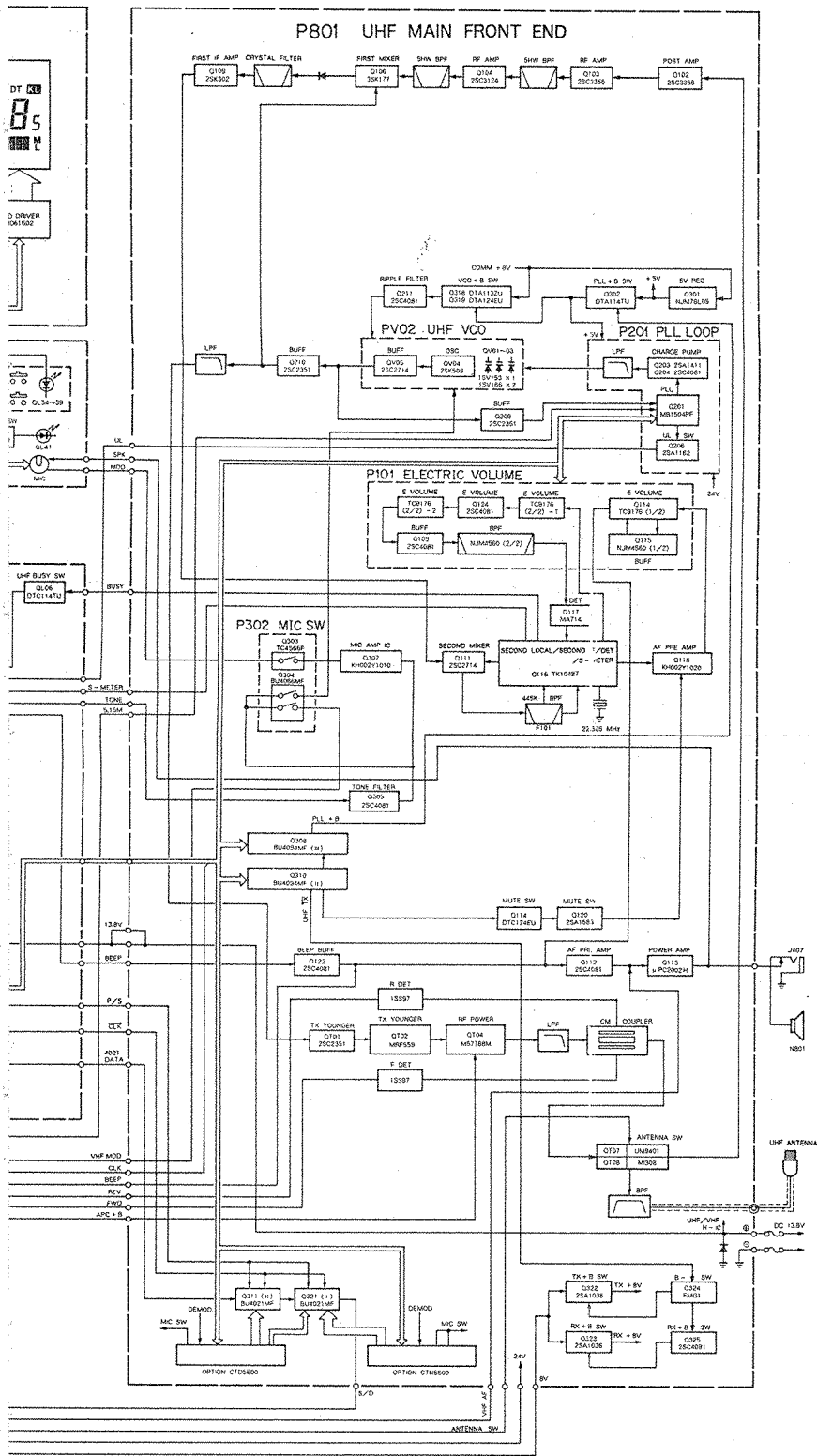
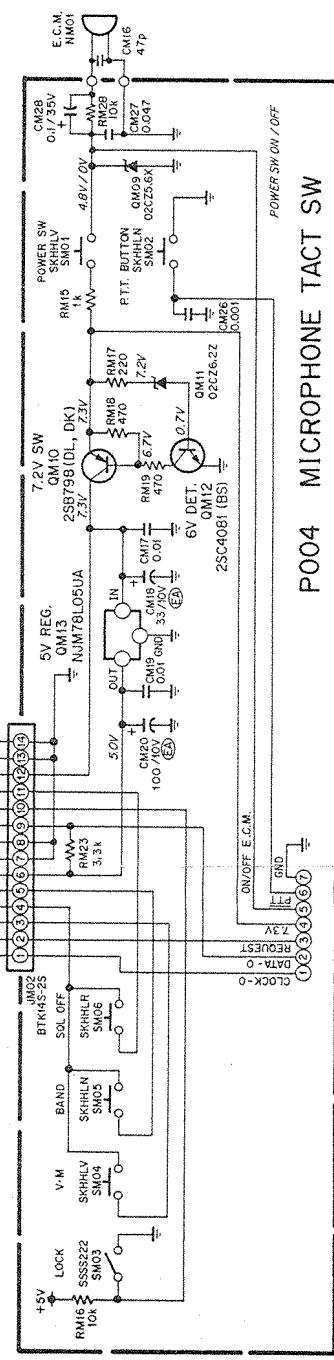
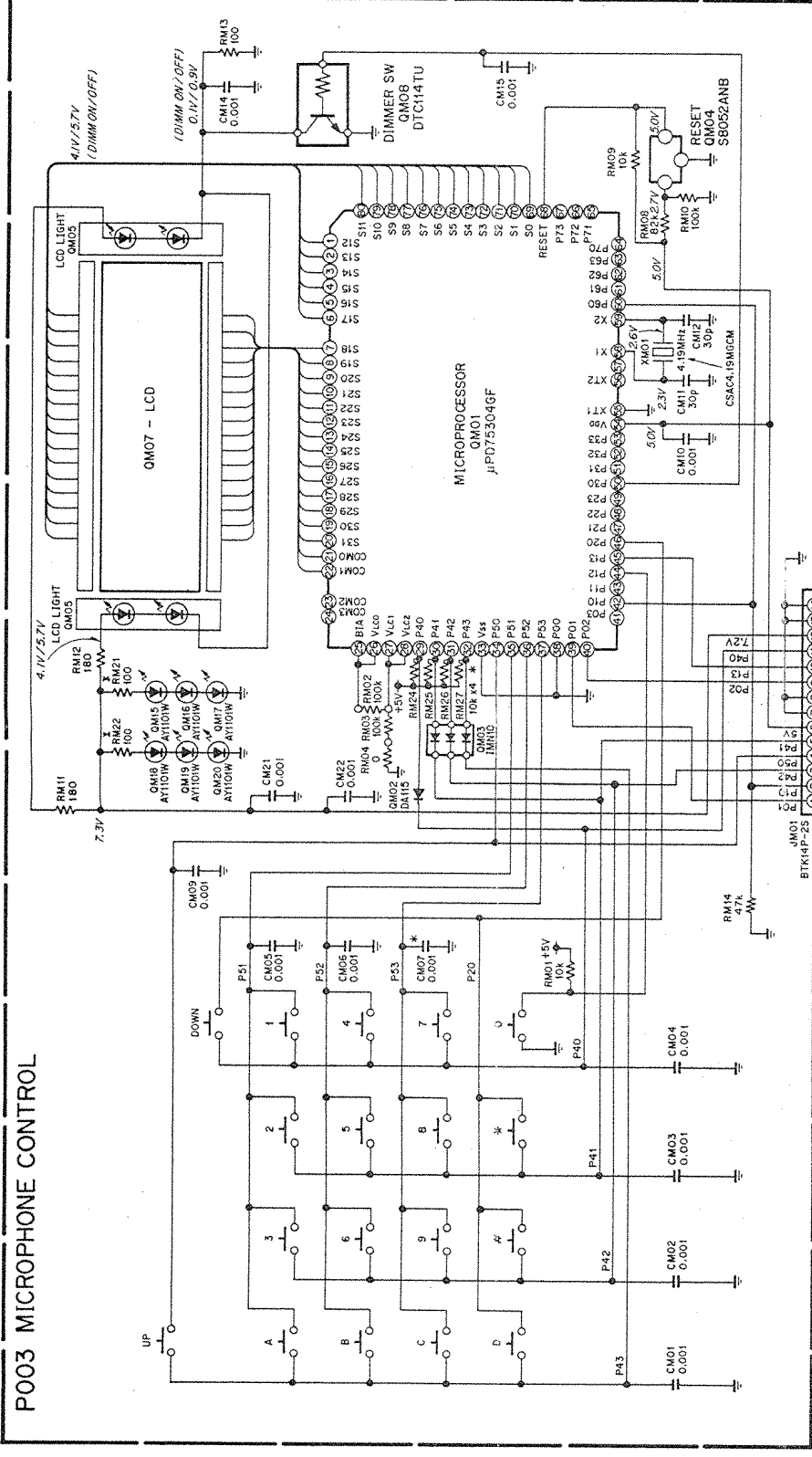


BLOCK DIAGRAM



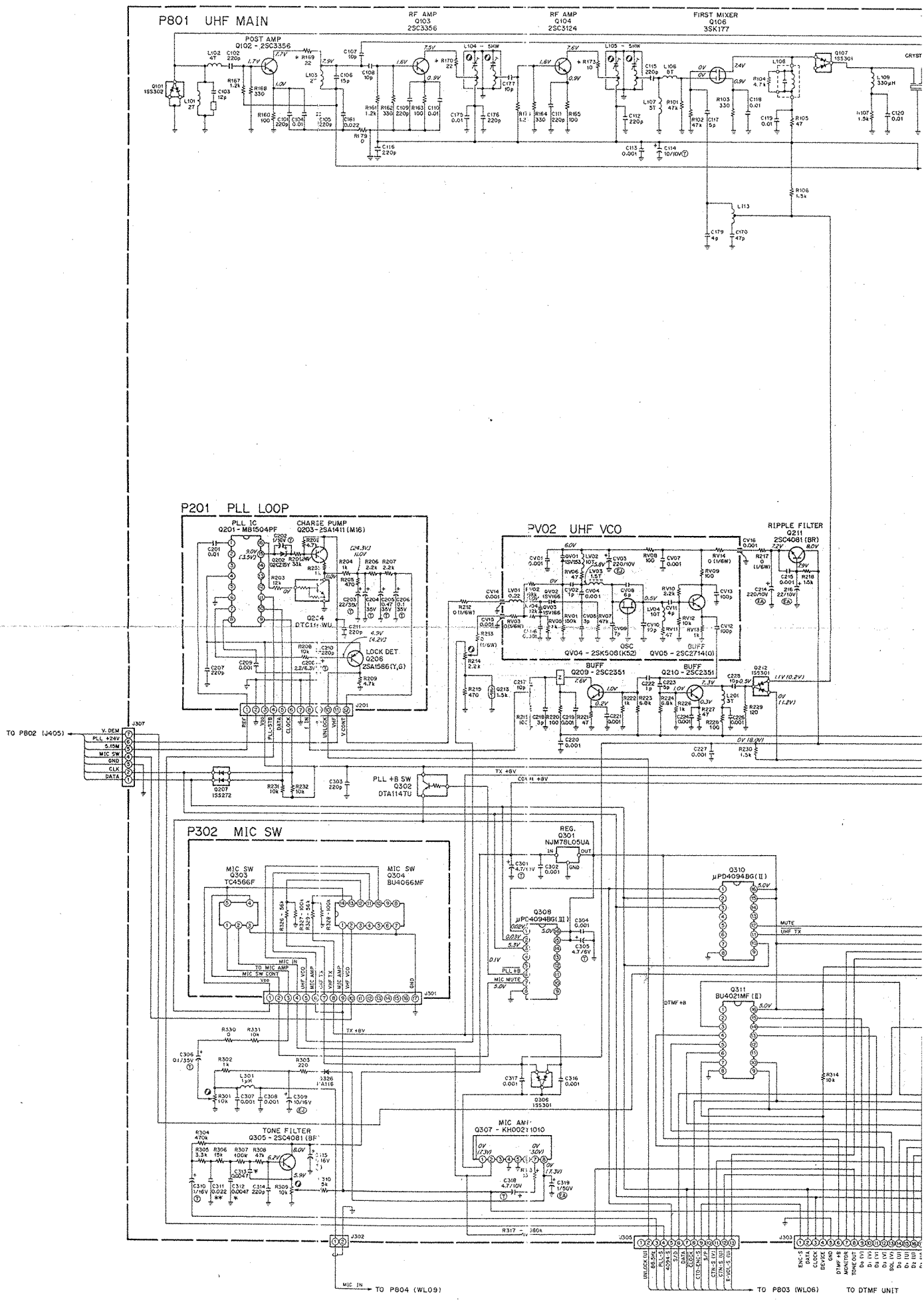


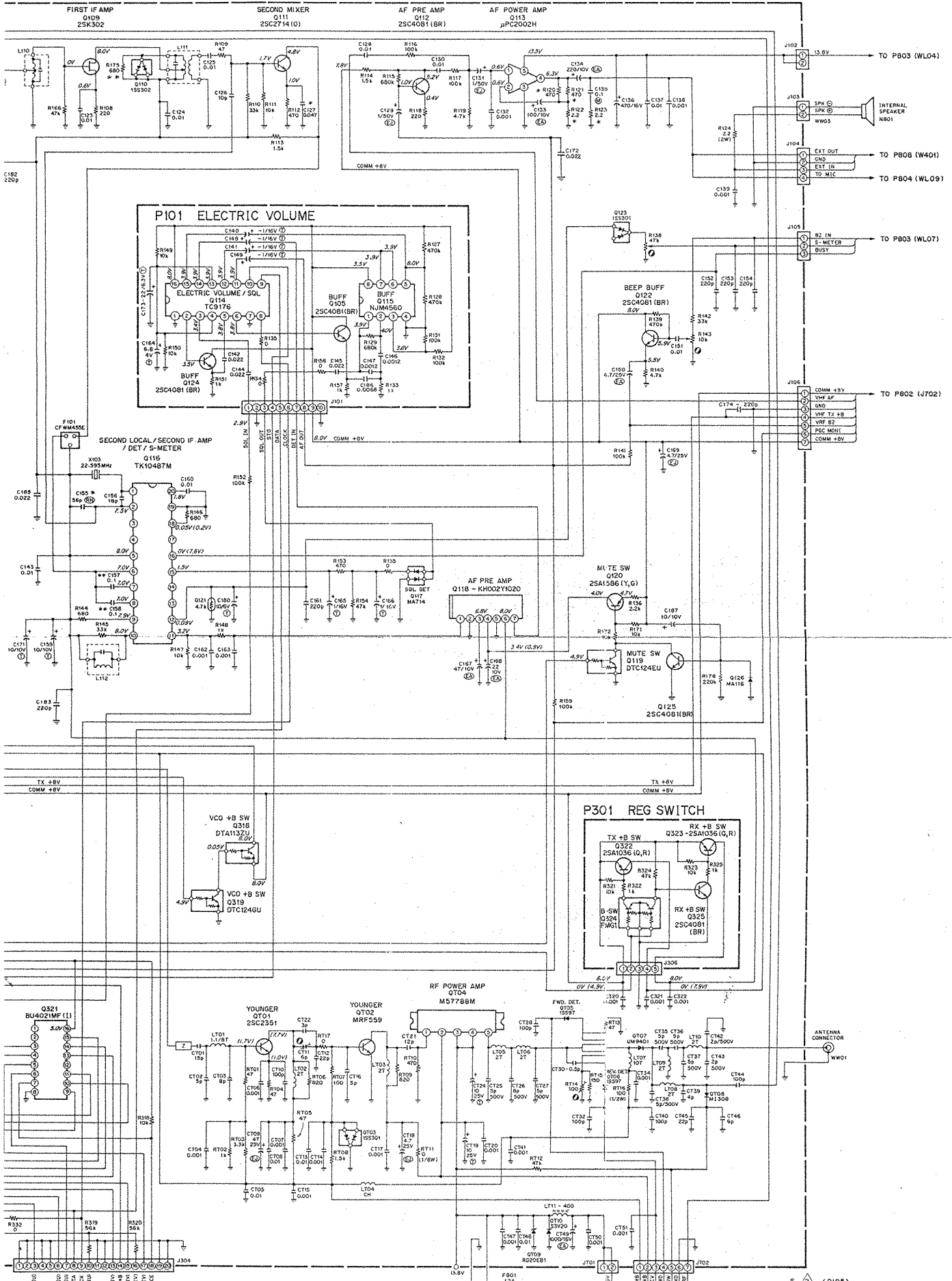


NOTES:

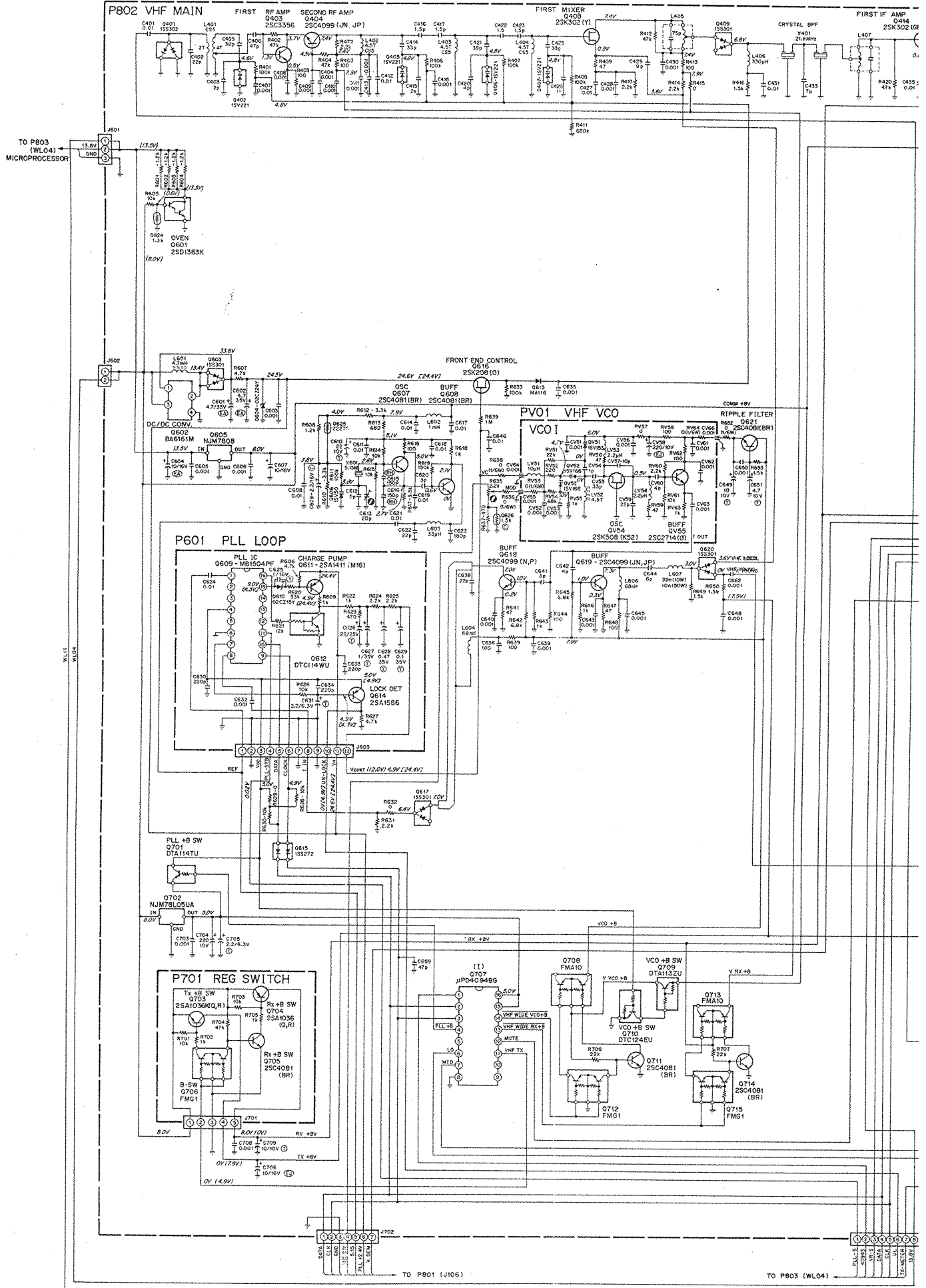
1. REFER TO PARTS LIST FOR COMPONENT VALUES.
2. UNLESS OTHERWISE NOTED RESISTOR VALUES ARE IN OHMS, AND CAPACITOR VALUES ARE IN MICROFARADS.

SCHEMATIC DIAGRAM C5608D



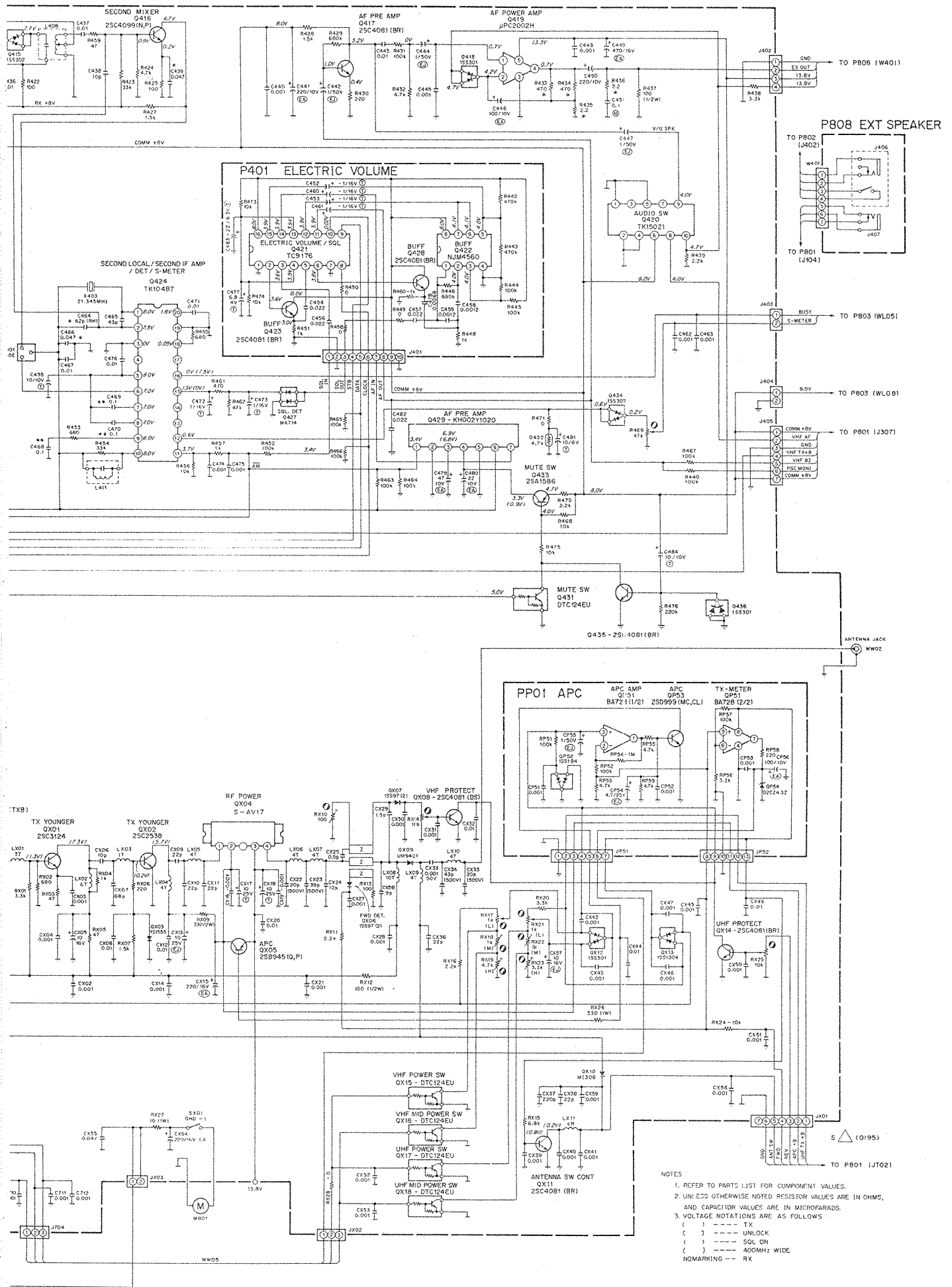


- NOTES:
1. REFER TO PARTS LIST FOR COMPONENT VALUES.
 2. UNLESS OTHERWISE NOTED RESISTOR VALUES ARE IN OHMS, AND CAPACITOR VALUES ARE IN MICROFARADS.
 3. VOLTAGE NOTATIONS ARE AS FOLLOWS:
 () --- TX
 () --- UNLOCK
 () --- SQL ON



TO P801 (J106)

TO P803 (WL04)



- NOTES:
1. REFER TO PARTS LIST FOR COMPONENT VALUES.
 2. UNLESS OTHERWISE NOTED RESISTOR VALUES ARE IN OHMS, AND CAPACITOR VALUES ARE IN MICROFARADS.
 3. VOLTAGE NOTATIONS ARE AS FOLLOWS:
 () --- TX
 () --- UNLOCK
 () --- SQL ON
 () --- 400MHz WIDE
 NOMARKING -- RX

