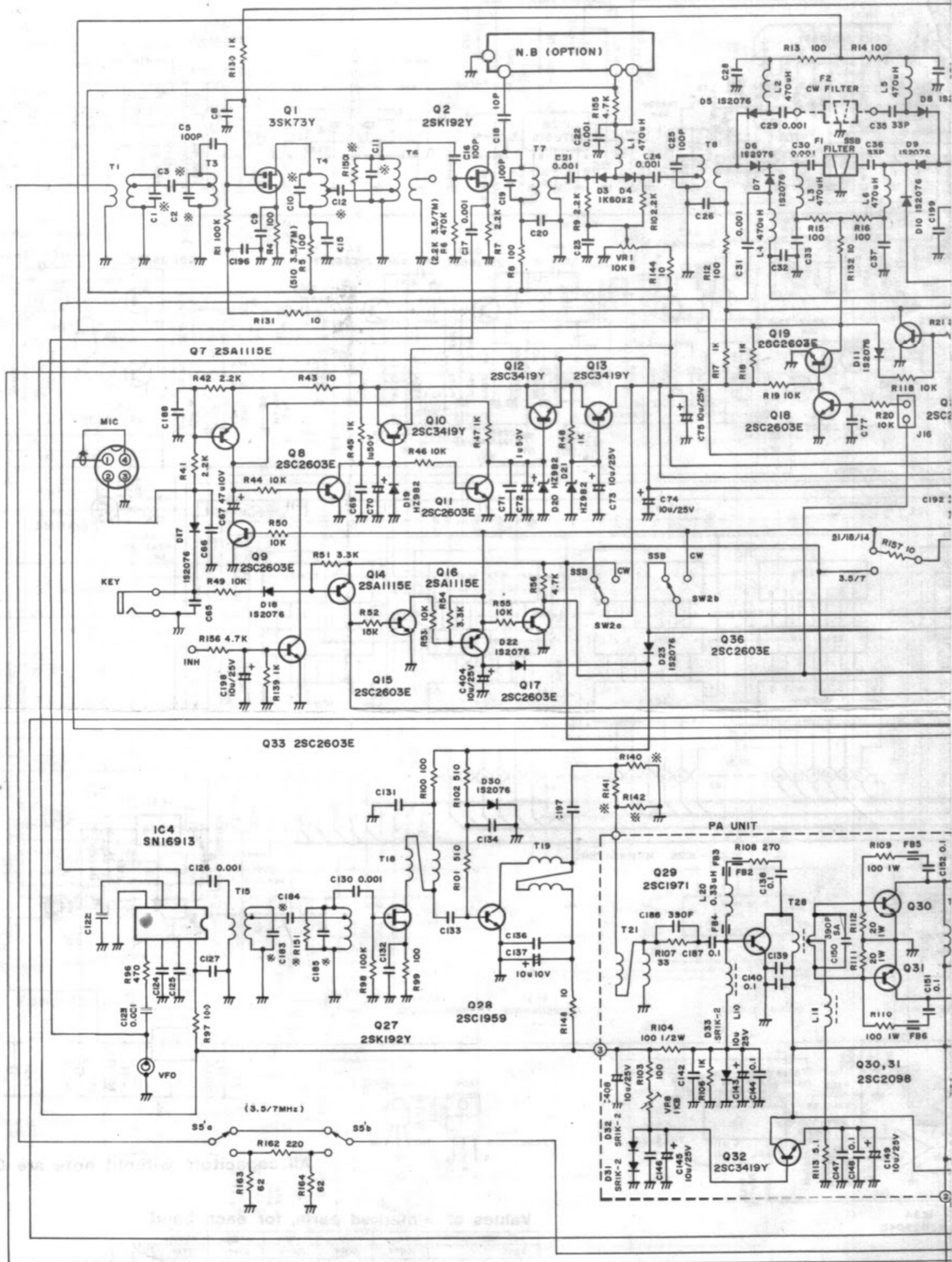


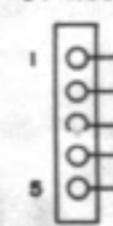
# CIRCUIT DIAGRAM (TX/RX BLOCK)



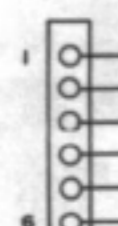
Values of \* marked parts, for each band.

REF. NO.	3.5MHz	7MHz	14MHz	21MHz	28MHz	
C1, 2, 10, 11, 183, 185	150PF	82PF	68PF	33PF	15PF	50V
C3, 12	100PF	56PF	22PF	15PF	10PF	
C184	120PF	47PF	22PF	10PF	7PF	
C157, 171	680PF	330PF	150PF	100PF	100P/82PF	
C158	560PF	330PF	150PF	100PF	82PF	1/4W.F
C172	150P+470P	330PF	150PF	100PF	82PF	
C159, 160	47PF	22PF	12PF	8PF	4PF	
R141	68	33	33	22	22	
R140, 142	100	150	150	220	220	
R150	5.6K	5.6K	4.7K	4.7K	4.7K	
R151	1.5K	3.3K	3.3K	3.3K	3.3K	

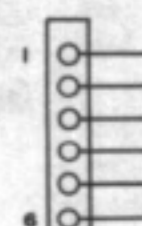
J1 ACC



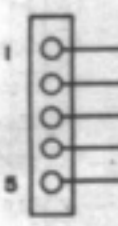
J2 (PA)



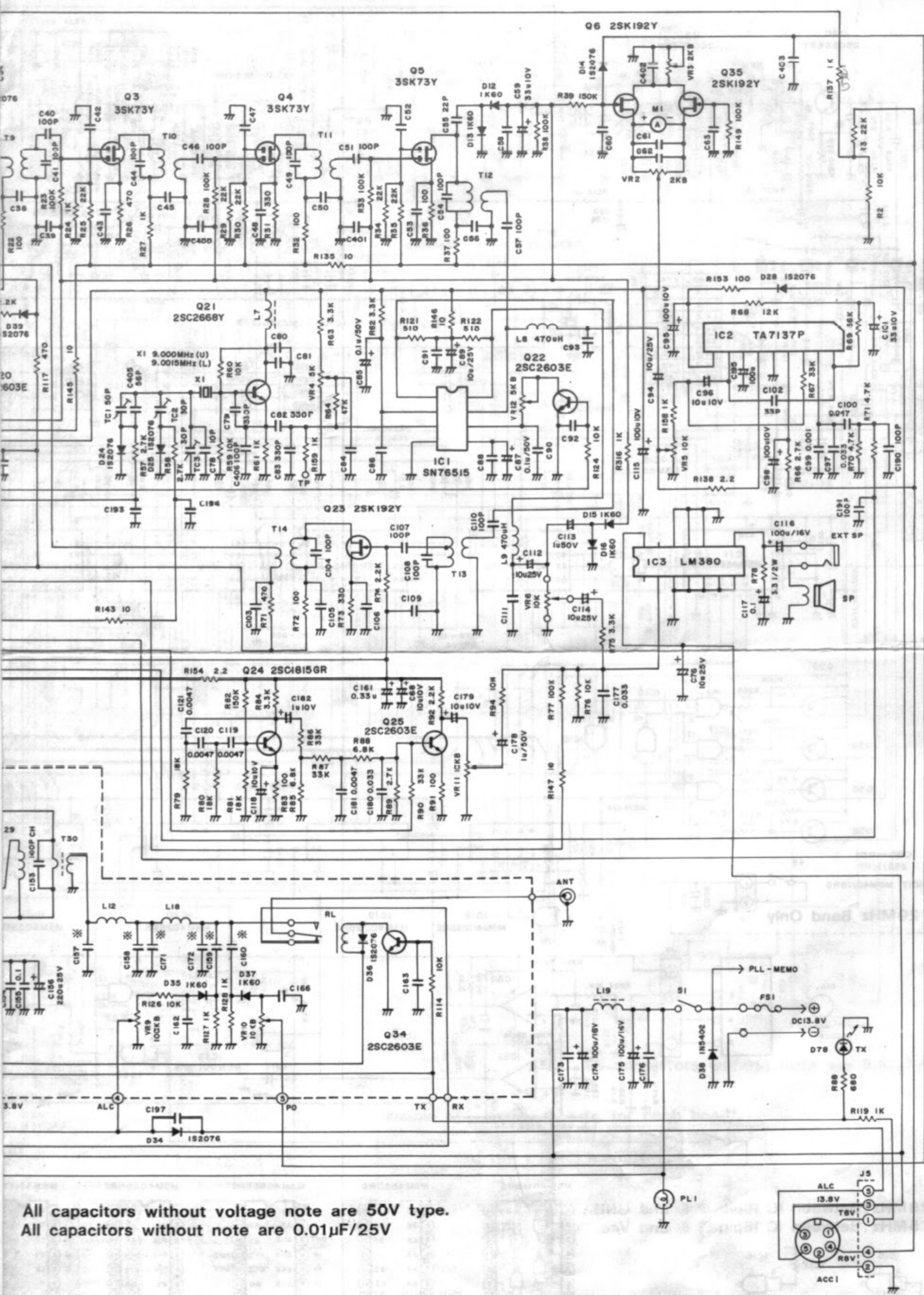
J3 (VFO)



J4 (N.B)



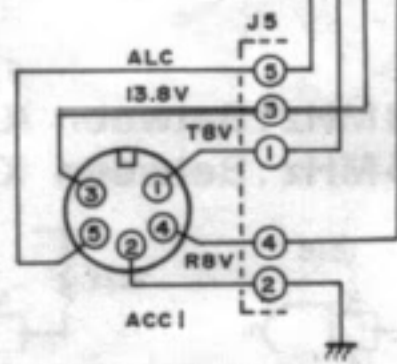
This diagram is subject to change



All capacitors without voltage note are 50V type.  
 All capacitors without note are 0.01μF/25V

# HF "100" Series Mono-Band SSB/CW Transceiver.

change without notice.

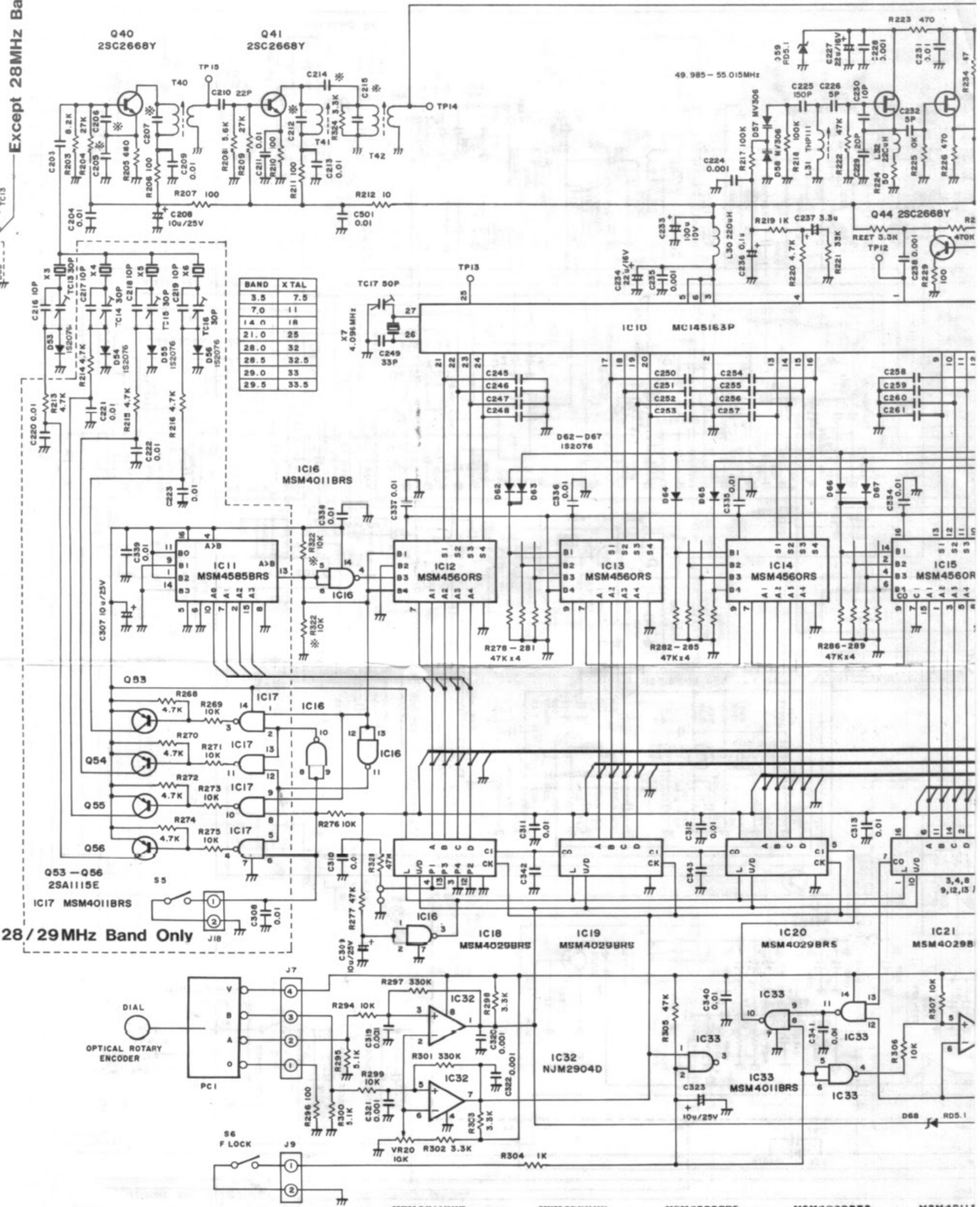


# CIRCUIT DIAGRAM (PLL VFO BLOCK)

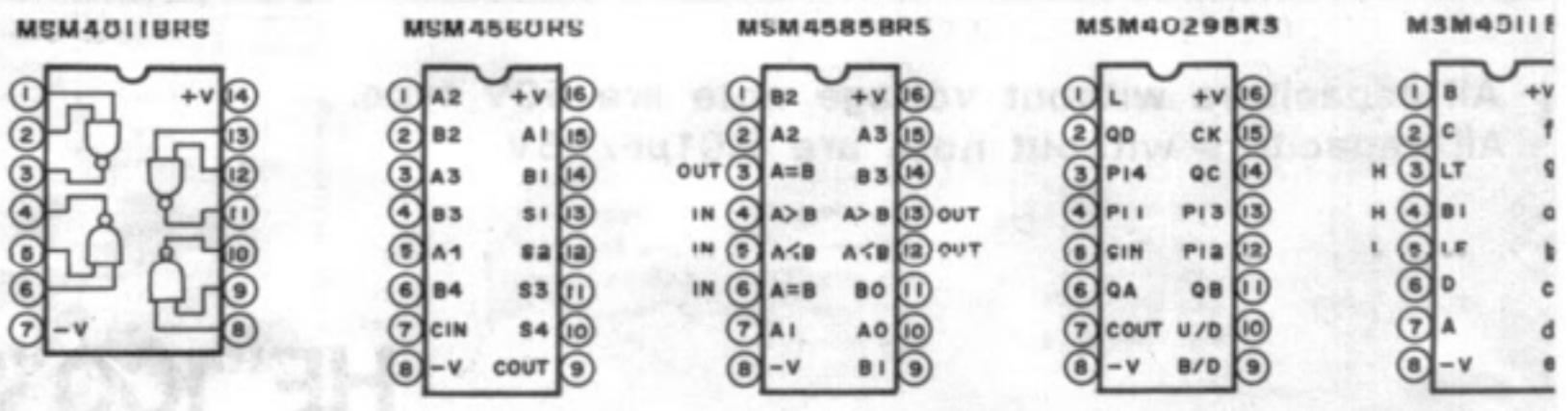
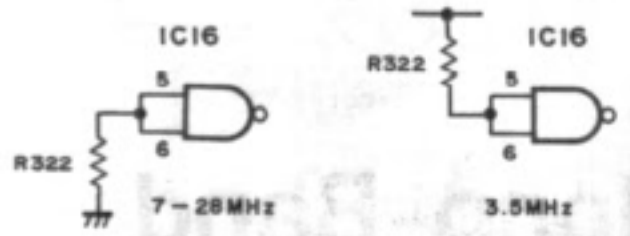
Q42 2SK241Y Q43 2SK241Y

Except 28MHz Band

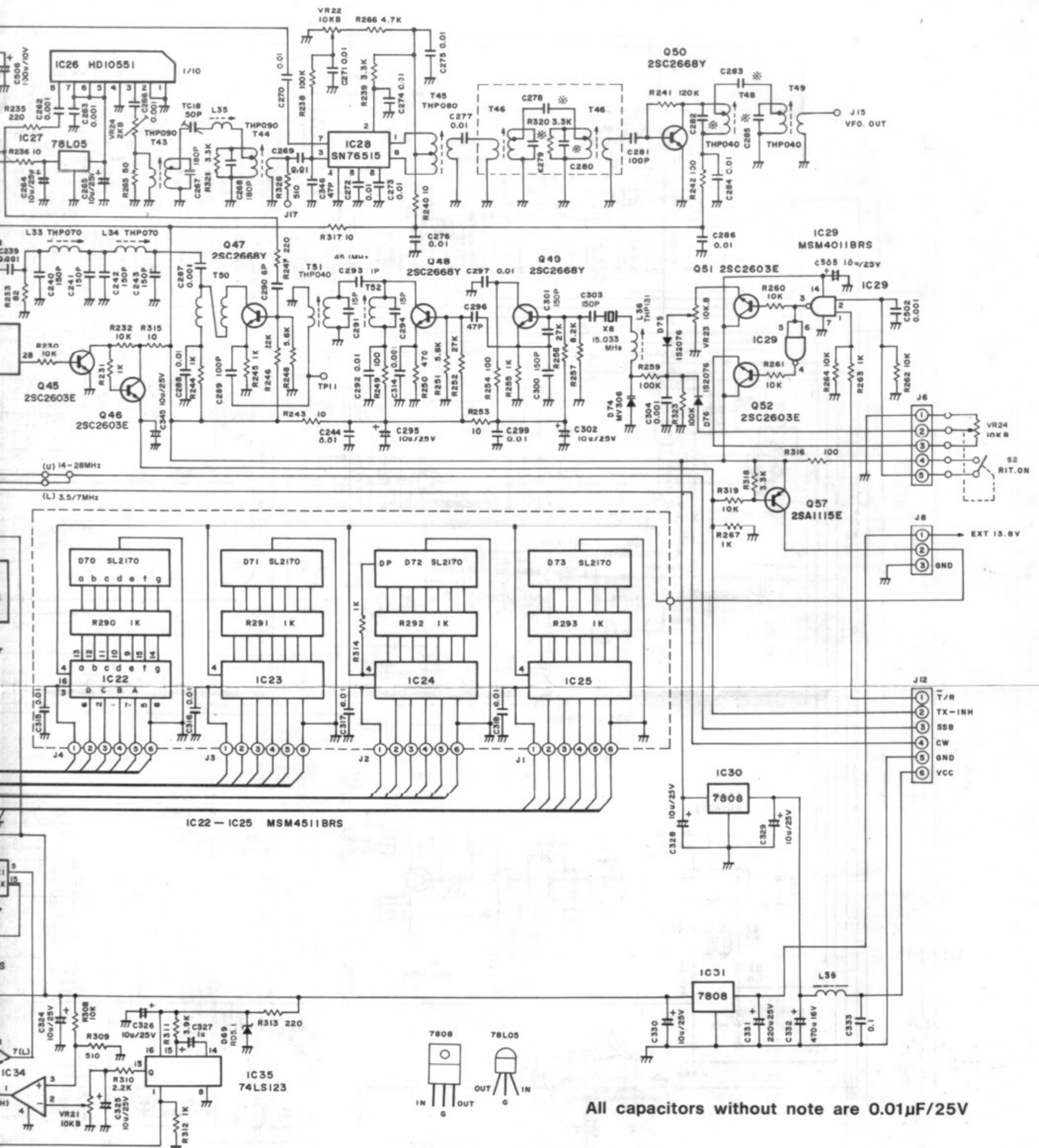
28/29MHz Band Only



\* R322: 7~28MHz: Between IC 16pin ⑤⑥ and GND.  
3.5MHz: Between IC 16pin ⑤⑥ and Vcc.



This diagram is subject to change w



All capacitors without note are 0.01μF/25V

Values of \* marked parts, for each band.

REF. NO.	3.5MHz	7MHz	14MHz	21MHz	28MHz
C205	150PF	100PF	100PF	27PF	27PF
C206	330PF	220PF	220PF	33PF	33PF
C207, 212, 215	100PF	100PF	51PF	27PF	27PF
C214	1PF	1PF	1PF	1PF	1PF
C278, 280, 282, E00	82PF	31PF	22PF	39PF	22PF
C278, 283	33PF	10PF	10PF	20PF	10PF

50V

# HF "100" Series Mono-Band SSB/CW Transceiver.

without notice.

