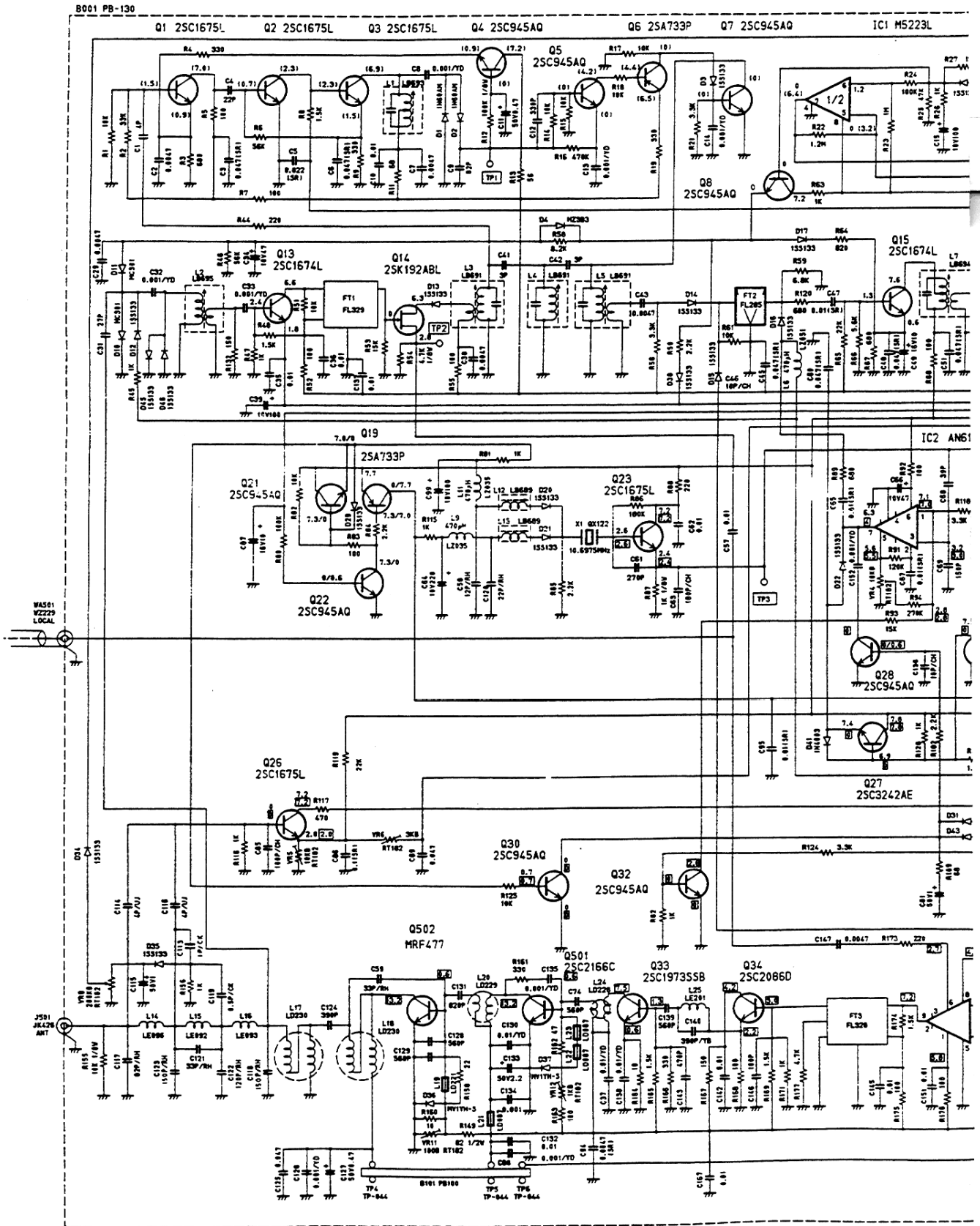
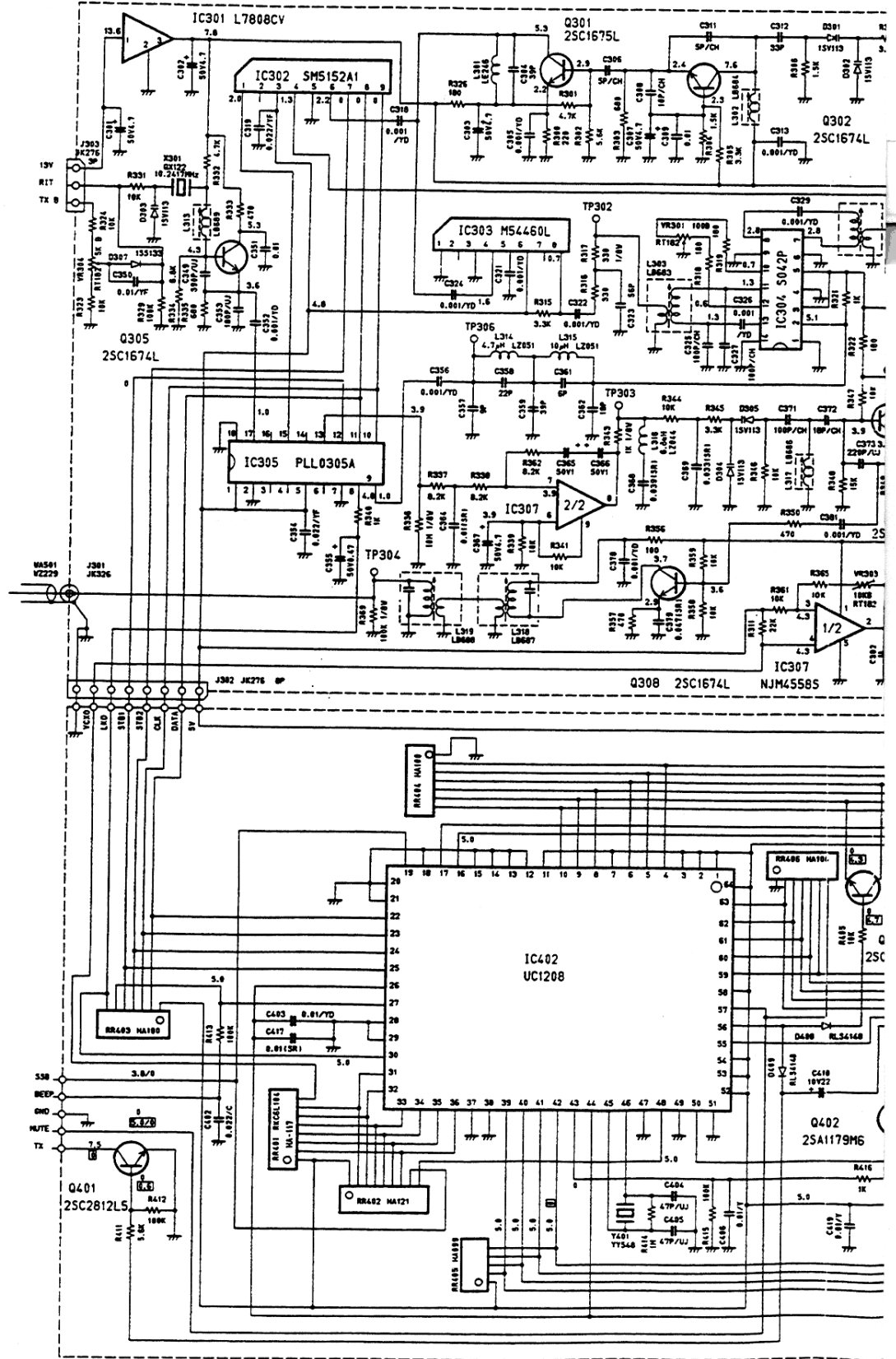
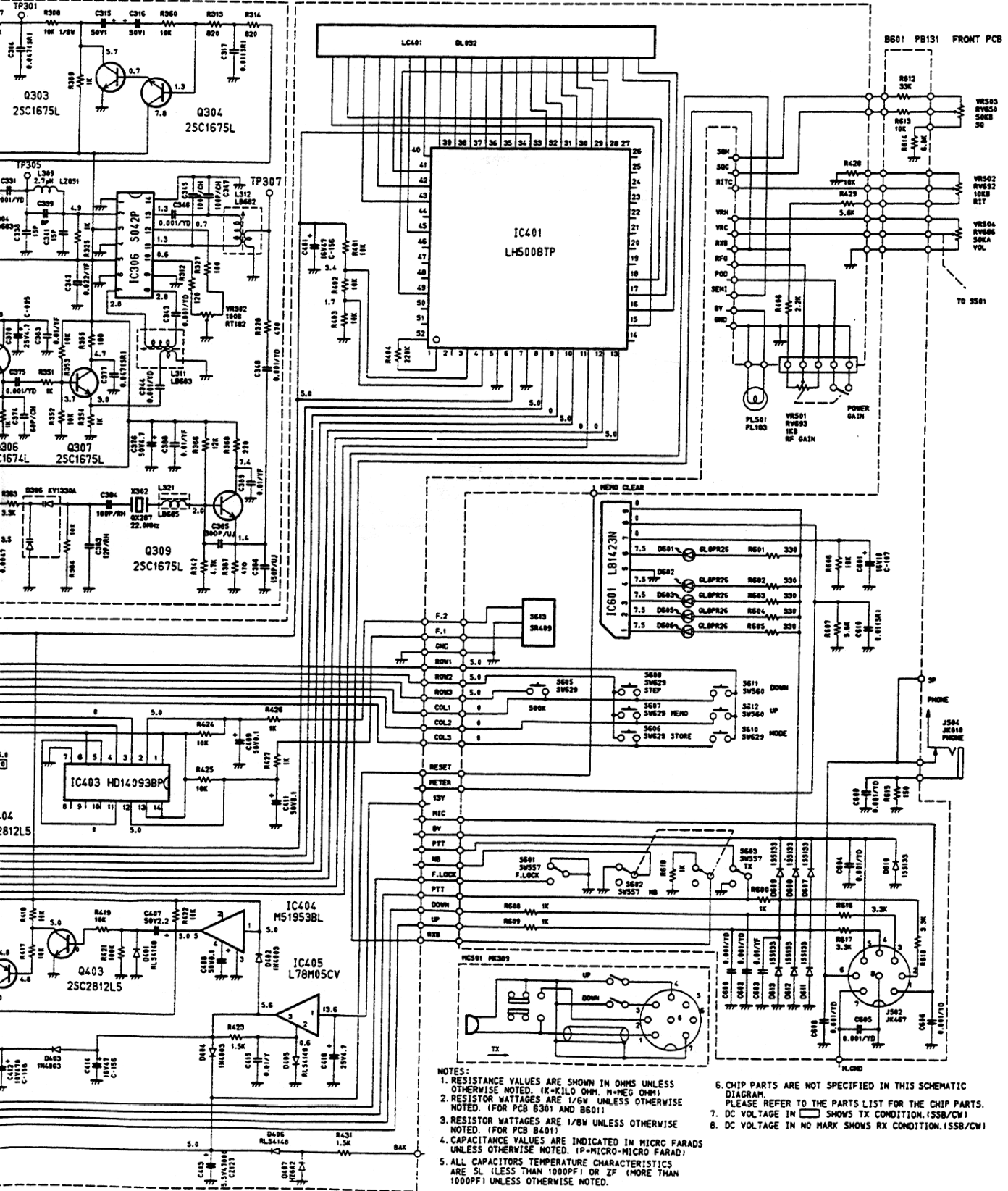


# SCHEMATIC DIA









- NOTES:
1. RESISTANCE VALUES ARE SHOWN IN OHMS UNLESS OTHERWISE NOTED. (K=KILO OHM, M=MEG OHM)
  2. RESISTOR WATTAGES ARE 1/8W UNLESS OTHERWISE NOTED. (FOR PCB B301 AND B501)
  3. RESISTOR WATTAGES ARE 1/8W UNLESS OTHERWISE NOTED. (FOR PCB B401)
  4. CAPACITANCE VALUES ARE INDICATED IN MICRO FARADS UNLESS OTHERWISE NOTED. (P=MICRO-MICRO FARAD)
  5. ALL CAPACITORS TEMPERATURE CHARACTERISTICS ARE SL (LESS THAN 1000PF) OR ZF (MORE THAN 1000PF) UNLESS OTHERWISE NOTED.
  6. CHIP PARTS ARE NOT SPECIFIED IN THIS SCHEMATIC DIAGRAM. PLEASE REFER TO THE PARTS LIST FOR THE CHIP PARTS.
  7. DC VOLTAGE IN  $\square$  SHOWS TX CONDITION. (SSB/CW)
  8. DC VOLTAGE IN  $\square$  SHOWS RX CONDITION. (SSB/CW)

**Publisher's Control Number: UT553Z/07SK130**

**RADIO SHACK**  
**A Division of Tandy Corporation**  
**Fort Worth, Texas 76102**