

# MOLEX Pin and Socket Connectors and Tools (.084" - MLX Series)

**molex**  
one company • a world of innovation

## PLUGS

### Series 42021

#### Features:

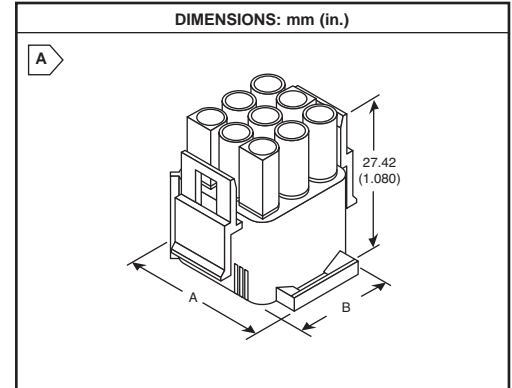
- Intermateable, interchangeable, and intermountable with industry-standard versions
- Positive Locks
- Fully isolated contacts
- Circuit ID grooves to reduce assembly errors
- Anti-stress positioning tabs to reduce breakage
- Mates with: Series 42022 Receptacles and Series 42002 Headers
- Material, plug housing: Nylon, UL94V-2, White
- Operating Temperature: -55° to +105°C
- Voltage: 600V ⚡
- UL File No: E29179
- CSA File No: LR19980



For quantities of 1000 and up, call for quote.

MOUSER STOCK NO.	Molex Part No.	Fig.	No. of Positions	Amps/Circuit (Max.) ⚡	Dimensions: in.		Price Each			
					A	B	1	10	100	500
538-50-84-1020	50-84-1020	A	2	13.5	0.580	0.550	0,25	0,204	0,133	0,112
538-50-84-1030	50-84-1030	A	3	13.5	0.580	0.800	0,29	0,245	0,164	0,133
538-50-84-1040	50-84-1040	A	4	13.5	0.580	1.050	0,33	0,266	0,184	0,153
538-50-84-1060	50-84-1060	A	6	11	1.080	0.550	0,21	0,20	0,197	0,187
538-50-84-1090	50-84-1090	A	9	11	1.080	0.800	0,45	0,388	0,264	0,204
538-50-84-1120	50-84-1120	A	12	11	1.080	1.050	0,68	0,593	0,399	0,317
538-50-84-1150	50-84-1150	A	15	11	1.080	1.30	0,76	0,634	0,439	0,347

\*: Ratings are per circuit, based on fully loaded housings



## RECEPTACLES

### Series 42022

#### Features:

- Intermateable, interchangeable and intermountable with industry-standard versions
- Positive locks
- Fully isolated contacts
- Circuit ID grooves to reduce assembly errors
- Anti-stress positioning tabs to reduce breakage
- Mates with: Series 42021
- Material, receptacle housing: Nylon, UL94V-2, White
- Operating Temperature: -55° to +105°C
- Voltage: 600V ⚡
- UL File No: E29179
- CSA File No: LR19980



RoHS Compliant

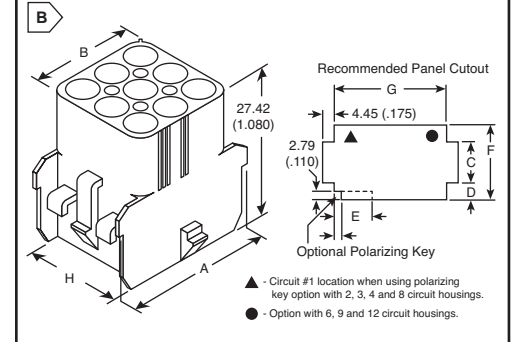


For quantities of 1000 and up, call for quote.

MOUSER STOCK NO.	Molex Part No.	Fig.	No. of Pos.	Amps/Circuit (Max.) ⚡	Dimensions: in.								Price Each			
					A	B	C ⚡	D	E	F	G	H	1	10	100	500
538-50-84-2020	50-84-2020	B	2	13.5	.62	.300	.340	.095	.250	.53	.565	.550	0,30	0,256	0,174	0,133
538-50-84-2030	50-84-2030	B	3	13.5	.62	.300	.340	.095	.250	.53	.815	.800	0,35	0,296	0,194	0,153
538-50-84-2040	50-84-2040	B	4	13.5	.62	.300	.340	.095	.250	.53	1.065	1.050	0,36	0,307	0,204	0,164
538-50-84-2060	50-84-2060	B	6	11	1.12	.800	.340	.275	.250	1.03	.565	.550	0,41	0,358	0,235	0,184
538-50-84-2090	50-84-2090	B	9	11	1.12	.800	.480	.275	.250	1.03	.815	.800	0,52	0,46	0,307	0,245
538-50-84-2120	50-84-2120	B	12	11	1.12	.800	.480	.275	.350	1.03	1.065	1.050	0,82	0,715	0,482	0,378
538-50-84-2150	50-84-2150	B	15	11	1.12	.800	.480	.275	.350	1.03	1.315	1.300	0,92	0,807	0,531	0,429

\*: Ratings are per circuit, based on fully loaded housings

\*\* Cap housing should be installed into panel in the same direction as the panel cutout is punched



## VERTICAL HEADERS

#### Features:

- Material: Header Housing: UL94V-2, White; Header Contact: Phosphor Bronze Plating: Tin
- Operating Temperature: -55° to +105°C
- Voltage: 600V ⚡
- Amperes ⚡: 2, 3, 4 circuits all 13.5
- Amperes ⚡: 6, 9, 12, 15 circuits all 11.0

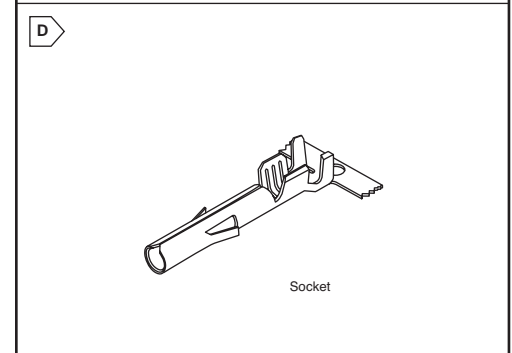
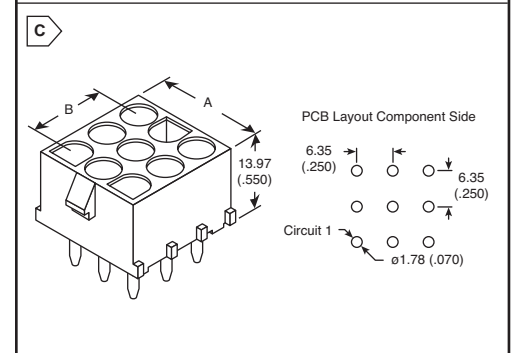


RoHS Compliant

For quantities of 1000 and up, call for quote.

MOUSER STOCK NO.	Molex Part No.	Fig.	No. of Positions	Description	Dimensions: in.		Price Each			
					A	B	1	10	100	500
538-10-84-4020	10-84-4020	C	2	Male	0.300	0.550	0,61	0,542	0,426	0,426
538-10-84-4022	10-84-4022	C	2	Female	0.300	0.550	0,49	0,419	0,276	0,225
538-10-84-4030	10-84-4030	C	3	Male	0.300	0.800	0,85	0,746	0,491	0,388
538-10-84-4032	10-84-4032	C	3	Female	0.300	0.800	0,59	0,429	0,337	0,307
538-10-84-4040	10-84-4040	C	4	Male	0.300	1.050	0,93	0,695	0,542	0,429
538-10-84-4042	10-84-4042	C	4	Female	0.300	1.050	0,85	0,746	0,491	0,399
538-10-84-4060	10-84-4060	C	6	Male	0.800	0.550	0,92	0,71	0,68	0,63
538-10-84-4062	10-84-4062	C	6	Female	0.800	0.550	1,37	1,23	1,06	1,06
538-10-84-4090	10-84-4090	C	9	Male	0.800	0.800	1,42	1,13	1,00	0,797
538-10-84-4092	10-84-4092	C	9	Female	0.800	0.800	1,63	1,42	1,28	1,28
538-10-84-4120	10-84-4120	C	12	Male	0.800	1.050	2,24	1,97	1,31	1,04
538-10-84-4122	10-84-4122	C	12	Female	0.800	1.050	2,47	2,18	1,45	1,19
538-10-84-4150	10-84-4150	C	15	Male	0.800	1.300	2,84	2,50	1,67	1,33
538-10-84-4152	10-84-4152	C	15	Female	0.800	1.300	1,86	1,57	1,42	1,27

\*: Ratings are per circuit, based on fully loaded housings



## CONTACTS

#### Features:

- Plating: Tin
- Insulation Diameter: 10-12AWG: 3.30 (.130) min., 5.08 (.200) max.
- Insulation Diameter: 14-20AWG: 1.52 (.060) min., 3.30 (.130) max.

For quantities of 2000 and up, call for quote.

MOUSER STOCK NO.	Molex Part No.	Fig.	Wire Size (AWG)	Description	Type	Price Each			
						1	100	500	1000
538-36664-0002	36664-0002	D	10-12	Female	Standard Brass .012"	0,12	0,112	0,102	0,092
538-02-08-1002	02-08-1002	D	14-20	Female	Standard Brass .012"	0,08	0,061	0,051	0,043
538-02-08-1004	02-08-1004	D	14-20	Female	Phosphor Bronze .012"	0,10	0,092	0,082	0,074
538-36663-0002	36663-0002	E	10-12	Male	Standard Brass .012"	0,12	0,112	0,102	0,092
538-02-08-2004	02-08-2004	E	14-20	Male	Standard Brass .012"	0,06	0,051	0,045	0,036
538-02-08-2006	02-08-2006	E	14-20	Male	Phosphor Bronze .012"	0,10	0,092	0,082	0,072

## TOOLS

For quantities of 5 and up, call for quote.

MOUSER STOCK NO.	Molex Part No.	Wire Size (AWG)	Description	Price Each
538-11-01-0168	11-01-0168	14-20	Extraction Tool	63,72
538-63811-6800	63811-6800	14-20	Hand Tool	248,62

