



## JFET Voltage-Controlled Resistors

PRODUCT SUMMARY			
Part Number	$V_{GS(off)}$ Max (V)	$V_{(BR)GS}$ Min (V)	$r_{DS(on)}$ Max ( $\Omega$ )
VCR2N	-7	-25	60
VCR4N	-7	-25	600
VCR7N	-5	-25	8000

### FEATURES

- Continuous Voltage-Controlled Resistance
- High Off-Isolation
- High Input Impedance

### BENEFITS

- Gain Ranging Capability/Wide Range Signal Attenuation
- No Circuit Interaction
- Simplified Drive

### APPLICATIONS

- Variable Gain Amplifiers
- Voltage Controlled Oscillator
- AGC

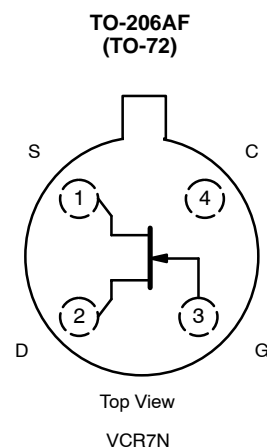
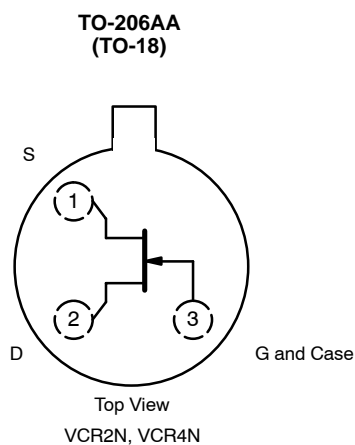
### DESCRIPTION

The VCR2N/4N/7N JFET voltage controlled resistors have an ac drain-source resistance that is controlled by a dc bias voltage ( $V_{GS}$ ) applied to their high impedance gate terminal. Minimum  $r_{DS}$  occurs when  $V_{GS} = 0$  V. As  $V_{GS}$  approaches the pinch-off voltage,  $r_{DS}$  rapidly increases. This series of junction FETs is intended for applications where the drain-source voltage is a low-level ac signal with no dc component.

Key to device performance is the predictable  $r_{DS}$  change versus  $V_{GS}$  bias where:

$$r_{DS}^{bias} \approx \frac{r_{DS}(@V_{GS} = 0)}{1 - \left| \frac{V_{GS}}{V_{GS(off)}} \right|}$$

These n-channel devices feature  $r_{DS(on)}$  ranging from 20 to 8000  $\Omega$ . All packages are hermetically sealed and may be processed per MIL-S-19500 (see Military Information).



For applications information see AN105.



### ABSOLUTE MAXIMUM RATINGS<sup>a</sup>

Gate-Source, Gate-Drain Voltage .....	-25 V
Gate Current .....	10 mA
Power Dissipation <sup>b</sup> .....	300 mW
Operating Junction Temperature Range .....	-55 to 175°C
Storage Temperature .....	-65 to 200°C

Lead Temperature (1/16" from case for 10 sec.) ..... 300°C

Notes:

- a.  $T_A = 25^\circ\text{C}$  unless otherwise noted.
- b. Derate 2 mW/°C above 25°C.

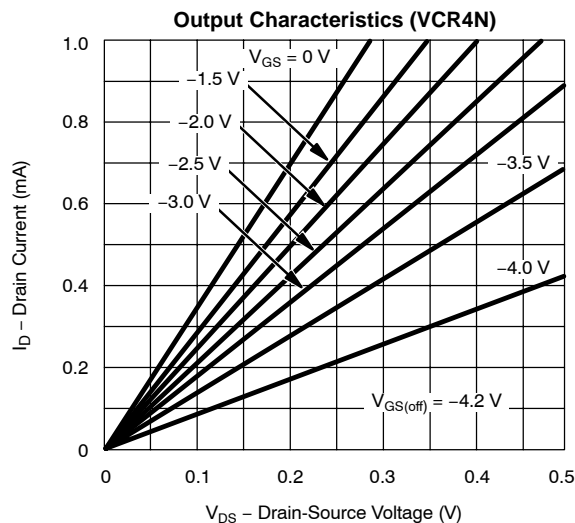
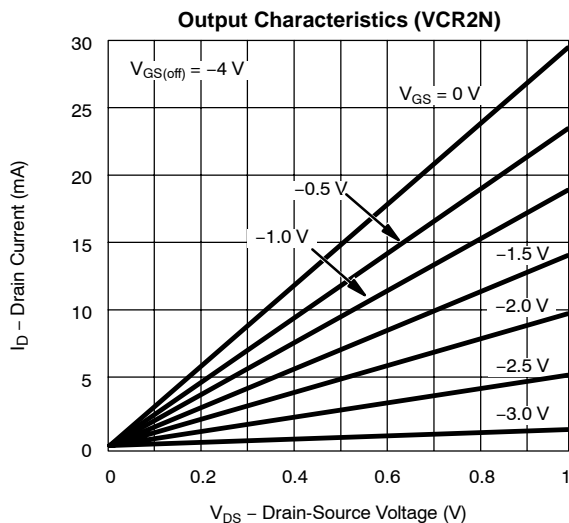
SPECIFICATIONS ( $T_A = 25^\circ\text{C}$ UNLESS OTHERWISE NOTED)										
Parameter	Symbol	Test Conditions	Typ <sup>a</sup>	Limits						Unit
				VCR2N		VCR4N		VCR7N		
				Min	Max	Min	Max	Min	Max	
<b>Static</b>										
Gate-Source Breakdown Voltage	$V_{(BR)GSS}$	$I_G = -1 \mu\text{A}, V_{DS} = 0 \text{ V}$	-55	-25		-25		-25		V
Gate-Source Cutoff Voltage	$V_{GS(off)}$	$V_{DS} = 10 \text{ V}, I_D = 1 \mu\text{A}$		-3.5	-7	-3.5	-7	-2.5	-5	
Gate Reverse Current	$I_{GSS}$	$V_{GS} = -15 \text{ V}, V_{DS} = 0 \text{ V}$			-5		-0.2		-0.1	nA
Drain-Source On-Resistance	$r_{DS(on)}$	$V_{GS} = 0 \text{ V}, I_D = 10 \text{ mA}$		20	60					Ω
		$V_{GS} = 0 \text{ V}, I_D = 1 \text{ mA}$				200	600			
		$V_{GS} = 0 \text{ V}, I_D = 0.1 \text{ mA}$						4000	8000	
Gate-Source Forward Voltage	$V_{GS(F)}$	$V_{DS} = 0 \text{ V}, I_G = 1 \text{ mA}$	0.7							V
<b>Dynamic</b>										
Drain-Source On-Resistance	$r_{ds(on)}$	$V_{GS} = 0 \text{ V}, I_D = 0 \text{ mA}$ $f = 1 \text{ kHz}$		20	60	200	600	4000	8000	Ω
Drain-Gate Capacitance	$C_{dg}$	$V_{GD} = -10 \text{ V}, I_S = 0 \text{ mA}$ $f = 1 \text{ MHz}$			7.5		3		1.5	pF
Source-Gate Capacitance	$C_{sg}$	$V_{GS} = -10 \text{ V}, I_D = 0 \text{ mA}$ $f = 1 \text{ kHz}$			7.5		3		1.5	

Notes:

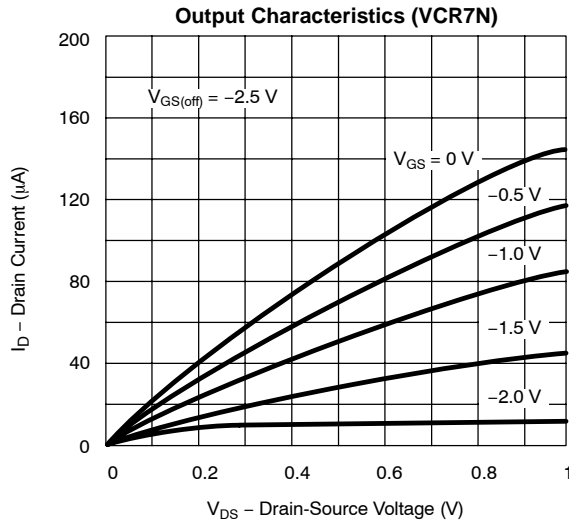
- a. Typical values are for DESIGN AID ONLY, not guaranteed nor subject to production testing.

NCB/NPA/NT

### TYPICAL CHARACTERISTICS ( $T_A = 25^\circ\text{C}$ UNLESS OTHERWISE NOTED)



**TYPICAL CHARACTERISTICS (T<sub>A</sub> = 25 °C UNLESS OTHERWISE NOTED)**



**APPLICATIONS**

A simple application of a FET VCR is shown in Figure 1, the circuit for a voltage divider attenuator.

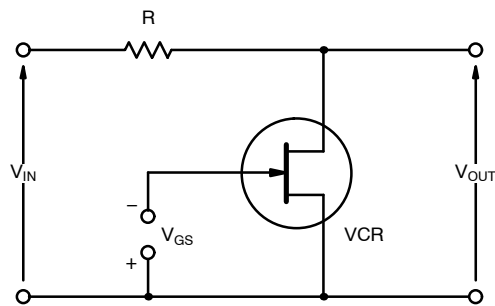


FIGURE 1. Simple Attenuator Circuit

The output voltage is:

$$V_{OUT} = \frac{V_{IN} r_{DS}}{R + r_{DS}}$$

It is assumed that the output voltage is not so large as to push the VCR out of the linear resistance region, and that the r<sub>DS</sub> is not shunted by the load.

The lowest value which V<sub>OUT</sub> can assume is:

$$V_{OUT(min)} = \frac{V_{IN} r_{DS(on)}}{R + r_{DS(on)}}$$

Since r<sub>DS</sub> can be extremely large, the highest value is:

$$V_{OUT(max)} = V_{IN}$$



## Disclaimer

All product specifications and data are subject to change without notice.

Vishay Intertechnology, Inc., its affiliates, agents, and employees, and all persons acting on its or their behalf (collectively, "Vishay"), disclaim any and all liability for any errors, inaccuracies or incompleteness contained herein or in any other disclosure relating to any product.

Vishay disclaims any and all liability arising out of the use or application of any product described herein or of any information provided herein to the maximum extent permitted by law. The product specifications do not expand or otherwise modify Vishay's terms and conditions of purchase, including but not limited to the warranty expressed therein, which apply to these products.

No license, express or implied, by estoppel or otherwise, to any intellectual property rights is granted by this document or by any conduct of Vishay.

The products shown herein are not designed for use in medical, life-saving, or life-sustaining applications unless otherwise expressly indicated. Customers using or selling Vishay products not expressly indicated for use in such applications do so entirely at their own risk and agree to fully indemnify Vishay for any damages arising or resulting from such use or sale. Please contact authorized Vishay personnel to obtain written terms and conditions regarding products designed for such applications.

Product names and markings noted herein may be trademarks of their respective owners.