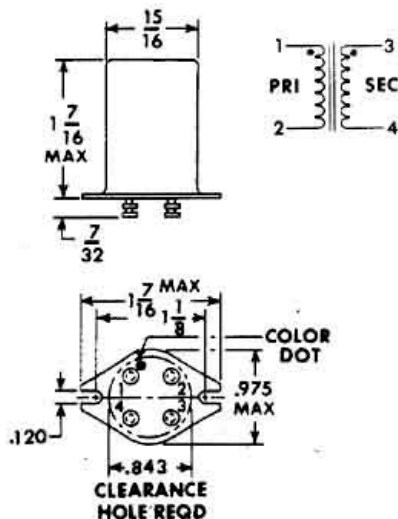


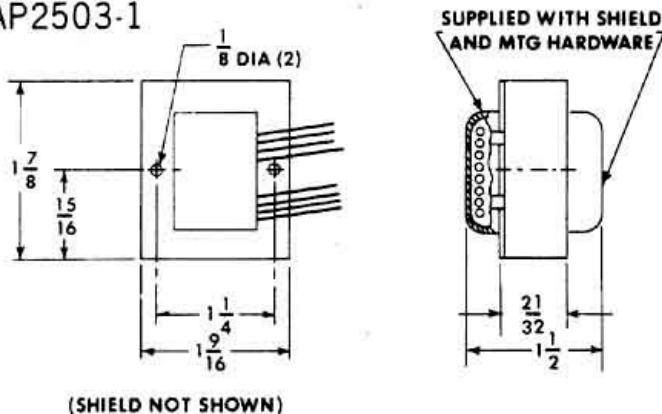
MODEL NO.	APPLICATION	PRIMARY IMPEDANCE	SECONDARY IMPEDANCE	FREQUENCY RESPONSE	MAXIMUM LEVEL	NOTES
AP2164	Input (Bridging)	10,000 $\Omega$	600 $\Omega$	20 to 30kHz $\pm 0.3\text{dB}$	+20dBm	
AP2503-1 AP2503-2	Output (Amplifier to Line)	75 $\Omega$	75 $\Omega$ (1:1)* 300 $\Omega$ (1:2)* 600 $\Omega$ (1:3)*	30 to 20kHz $\pm 0.5\text{dB}$	+30dBm	Electrically identical, transformers differ only in mechanical details
AP2622	Input (Mic Preamp)	150/600 $\Omega$	10,000 $\Omega$	30 to 20kHz $\pm 0.5\text{dB}$	0dBm	
AP2623-1 AP2623-2 AP2623-3 AP2623-4	Output (Amplifier to Line)	75 $\Omega$	75 $\Omega$ (1:1)* 300 $\Omega$ (1:2)*	30 to 20kHz $\pm 0.5\text{dB}$	+30dBm	Electrically identical, transformers differ only in mechanical details

\*Minimum Load Impedances

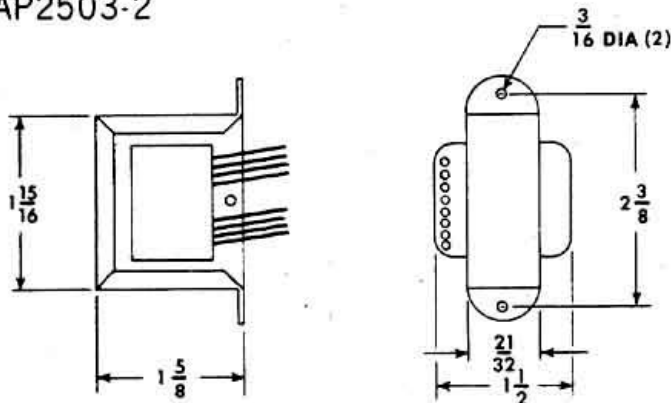
### AP2164



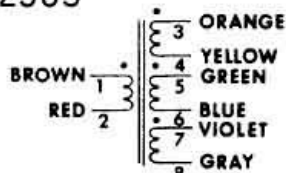
### AP2503-1



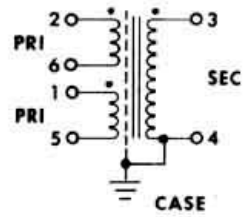
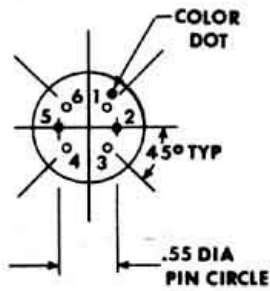
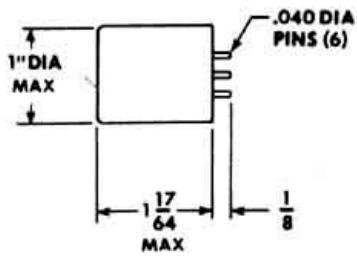
### AP2503-2



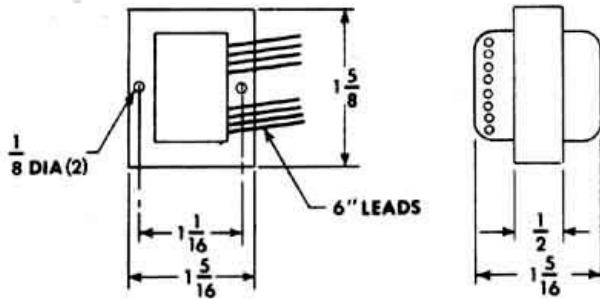
### AP2503



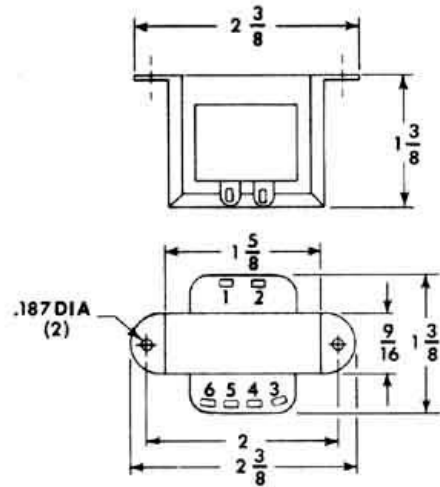
# AP2622



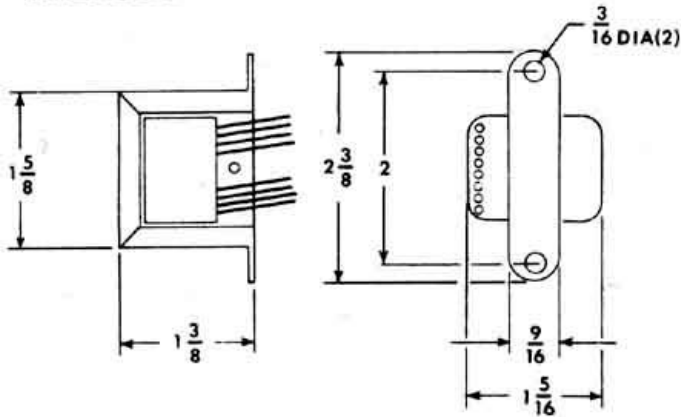
# AP2623-1



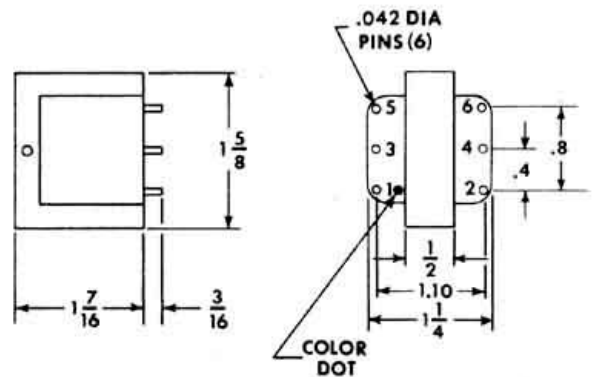
# AP2623-3



# AP2623-2



# AP2623-4



# AP2623

