

# FireBall™ DYNAMIC INSTRUMENT MICROPHONE

## OVERVIEW:

Designed, machined, assembled and tested by Audix in the USA, the FireBall™ is a professional dynamic instrument microphone intended for harmonica (both diatonic and chromatic) and beatbox. Clear, accurate and capable of handling sound pressure levels in excess of 140 dB without distortion, the FireBall™ is ideally suited for both live stage and studio recording applications.

The FireBall™ is characterized with a cardioid pickup pattern for isolation and feedback control and is equipped with a VLM™ (Very Low Mass) diaphragm for natural sound reproduction with exceptional transient response.

With a smooth, uniform frequency response of 50 Hz - 16 kHz, the FireBall™ is lightweight, compact, and comfortable to hold. The FireBall™ includes a precision machined aluminum body, steel mesh grill, unique three stage marbled anodized finish, laser etched model and serial number, Switchcraft® or Audix XLR connector and heavy duty nylon clip.

The FireBall™ is a low impedance microphone; when using the FireBall™ with a guitar amplifier, a high quality low-high impedance transformer (such as T50K) is required.

## SUPPLIED ACCESSORIES:

Heavy duty press fit mic clip (DCLIP)  
Carrying pouch (P1)

## OPTIONAL ACCESSORIES:

WS357 - External foam windscreen  
DVICE - Spring loaded rim mount clamp  
DCLAMP - Tension rod mic clamp  
CBL 20 - 20' XLR-XLR Low noise microphone cable  
CBL DR25 - 25' right angle XLR-XLR low noise microphone cable  
CBL BP360 - 4' adapter cable for RAD360 Wireless Bodypack  
T50K - High quality low-high impedance transformer



## FEATURES:

- Fits comfortably in the palm of the hand
- Handles "cupping" without impacting sound quality
- Full size dynamic capsule
- Clear and accurate sound reproduction
- High SPL handling without distortion
- Exceptional gain before feedback
- Provides excellent isolation from other instruments on stage
- Precision machined aluminum body
- 5 year warranty

## APPLICATIONS:

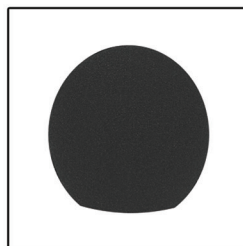
- Live stage, studio
- Harmonica
- Vocals
- Beatbox
- Percussion
- Saxophone, trumpet, trombone
- Flute
- Accordian



FIREBALL W/ CBL-BP360



DCLAMP



WS357



CBL 20



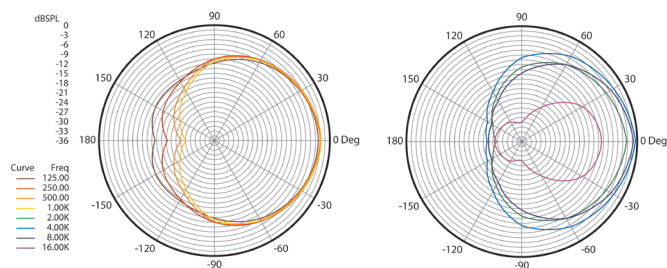
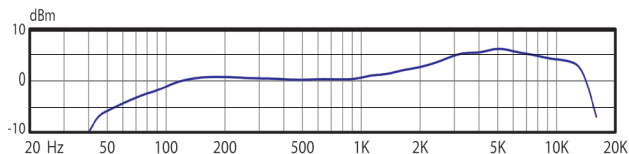
T50K

# FIREBALL

**SPECIFICATIONS:**

<b>Transducer Type</b>	<b>Dynamic Moving Coil</b>
<b>Frequency Response</b>	<b>50 Hz - 16 kHz</b>
<b>Polar Pattern</b>	<b>Cardioid</b>
<b>Output Impedance</b>	<b>150 ohms</b>
<b>Sensitivity</b>	<b>1.5 mV / Pa @ 1k</b>
<b>Capsule Technology</b>	<b>VLM Type B</b>
<b>Off Axis Rejection</b>	<b>&gt; 23 dB</b>
<b>Maximum SPL</b>	<b>≥140 dB</b>
<b>Power Requirements</b>	<b>None</b>
<b>Connector</b>	<b>Switchcraft® or Audix male XLR connector</b>
<b>Polarity</b>	<b>Positive pressure on diaphragm produces positive voltage on pin 2 relative to pin 3 of output XLR connector</b>
<b>Housing / Finish</b>	<b>Machined Aluminum / Anodized</b>
<b>Weight</b>	<b>128 g / 4.5 ounces</b>
<b>Length</b>	<b>77.5 mm / 3.05 inches</b>

**FREQUENCY / POLARS:**



**ARCHITECTS AND ENGINEERS SPECIFICATIONS:**

The microphone shall be of the dynamic type operating on the moving coil principle and the polar pattern of the microphone shall be cardioid. The capsule shall be VLM Type B. The nominal output impedance shall be equal to 150 ohms at 1 kHz. The microphone shall have a sensitivity of 1.5 mV / Pa at 1 kHz and a sound pressure level ≥140 dB. The microphone body shall be machined of aluminum and the grill be of steel mesh. The overall dimensions shall be 21.5 mm in diameter at the base, 53.5 mm at the widest point on the grill and 77.5 mm in length. The microphone shall be the Audix FireBall™.

**OPERATION:**

The Fireball™ is a low impedance microphone and should be plugged into a "mic level" input on your console, mixer, or recording device. Please note that your microphone does not require phantom power and will not be effected in any way by phantom power should it be running simultaneously while the microphone is in operation. Avoid plugging or unplugging the microphone from the PA system unless the channel is muted or the volume of the system turned down. Failure to do so may result in a loud "popping" noise which could seriously damage the speakers in the PA system.

**USER TIPS:**

The FireBall™ has a tight (cardioid) pick-up pattern in order to help eliminate sound from other instruments on stage from "bleeding" into the microphone.

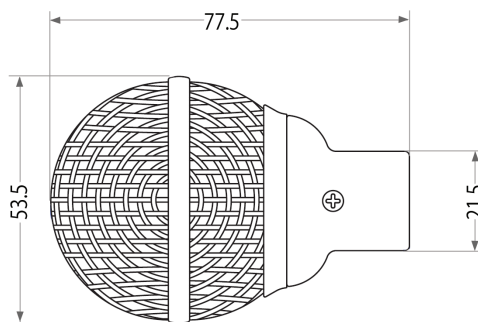
The FireBall™ is a low impedance microphone, however, it may be plugged directly into a guitar amp by using the Audix T50k impedance converter. This will allow for the proper gain structure and will insure the best possible sound quality.

The FireBall™ may also be used for a wide variety of instrument and vocal applications. Working distance can be anywhere between 1-6 inches depending on the instruments on stage, the volume of the music, and the type of stage monitors.

Allow a distance of 2-3 feet between microphones to avoid phase cancellation issues.

\*Further miking techniques may be found on our website at [www.audixusa.com](http://www.audixusa.com)

**DIMENSIONS (mm):**



\*\*\*All specifications subject to change without notice.

**SERVICE AND WARRANTY:**

This microphone is under warranty for a period of 5 years from any and all manufacturing defects. Should your microphone fail in any way, please contact the Audix Service department at 503-682-6933. A Return Authorization number is required before returning any products.

**CARE AND MAINTENANCE:**

The FIREBALL is manufactured to exacting specs with roadworthy construction. However, the capsule is highly sensitive and should be handled with care. Avoid extreme temperatures and be sure to store your microphone in the pouch provided when not in use. Moisture of any kind can adversely affect the sound and performance of your microphone.



[www.audixusa.com](http://www.audixusa.com)  
503-682-6933 Fax: 503-682-7114

Audix Corporation 9400 SW Barber St. Wilsonville, OR 97070



**AUDIX WARRANTY REGISTRATION FORM**

Name: \_\_\_\_\_ Model: \_\_\_\_\_  
 Company: \_\_\_\_\_ Serial Number: \_\_\_\_\_  
 Address: \_\_\_\_\_ Store: \_\_\_\_\_  
 City: \_\_\_\_\_ Store Location: \_\_\_\_\_  
 Prov./State: \_\_\_\_\_ Zip: \_\_\_\_\_ Purchase Date: \_\_\_\_\_  
 Phone: ( ) \_\_\_\_\_ Signature: \_\_\_\_\_  
 Email: \_\_\_\_\_ Date: \_\_\_\_\_

Please Check all that apply:

Male  Female

Age:

- 18 or Under
- 19-25
- 26-35
- 36-45
- 46-55
- 55 +

Occupation:

- Musician
- Producer
- Sound Eng.
- Radio/TV
- Production
- Other \_\_\_\_\_

Primary Instruments:

- Vocal
- Guitar / Bass
- Drums
- Keyboard
- Brass
- Woodwinds
- Strings
- Other \_\_\_\_\_

Product to be used for:

- Pro live sound
- Pro recording
- Home recording
- Rehearsal
- Installation
- School
- House of Worship
- Other \_\_\_\_\_

How did you hear about Audix?

- Magazine Ad
- On-line Store
- Salesman
- Online Ad
- Friend
- Other \_\_\_\_\_

Do you own other Audix Products?  Yes  No

Model(s) \_\_\_\_\_

Have you visited the Audix website?  Yes  No

Please register your product online at [www.audixusa.com](http://www.audixusa.com) or mail this form to:  
 Audix Microphones P.O. Box 4010 Wilsonville, OR 97070