

82 Series

Schematic

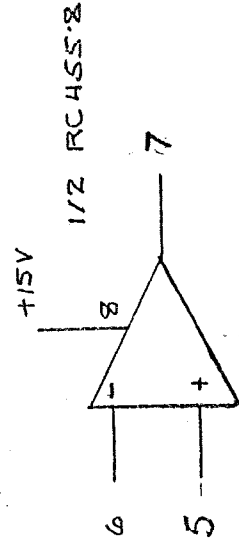
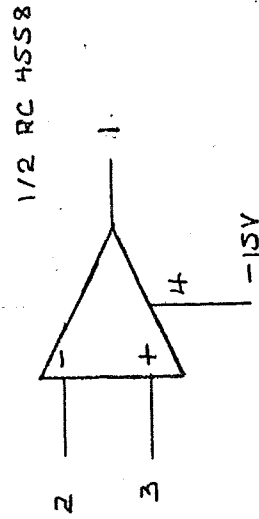
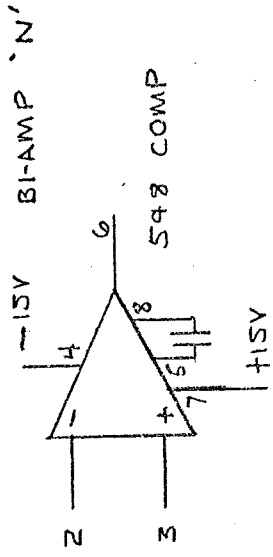
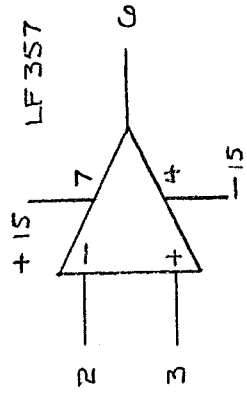
B I A M P[®]

S Y S T E M S

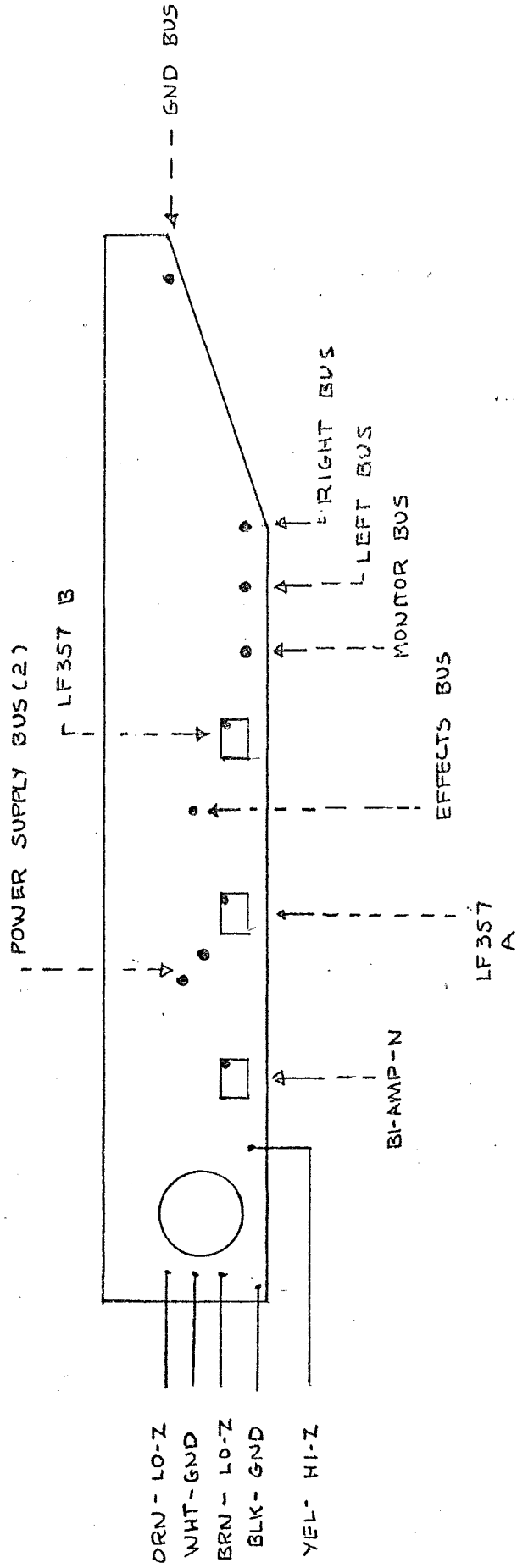
10074 SW Arctic Drive Beaverton, OR 97005 503-641-7287

IC DESCRIPTION OUTLINE

6-12 CHANNEL MIXERS

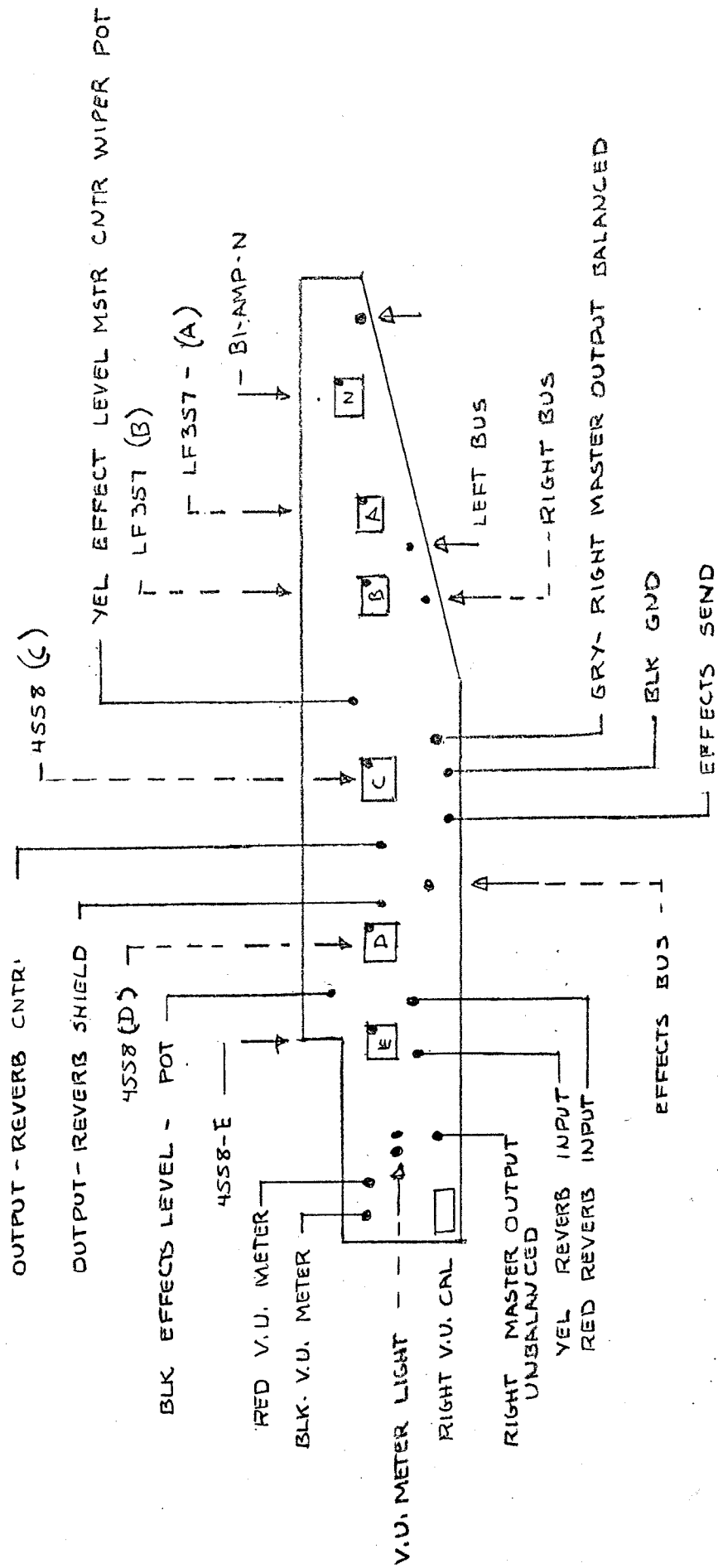


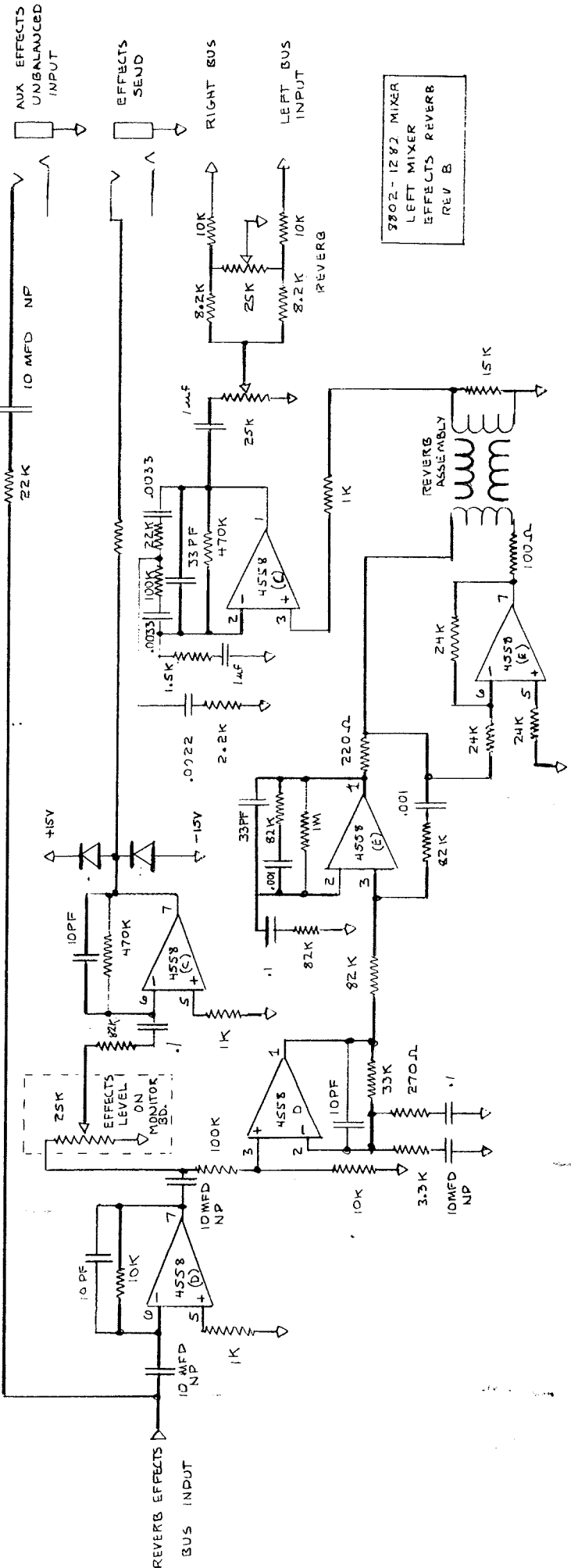
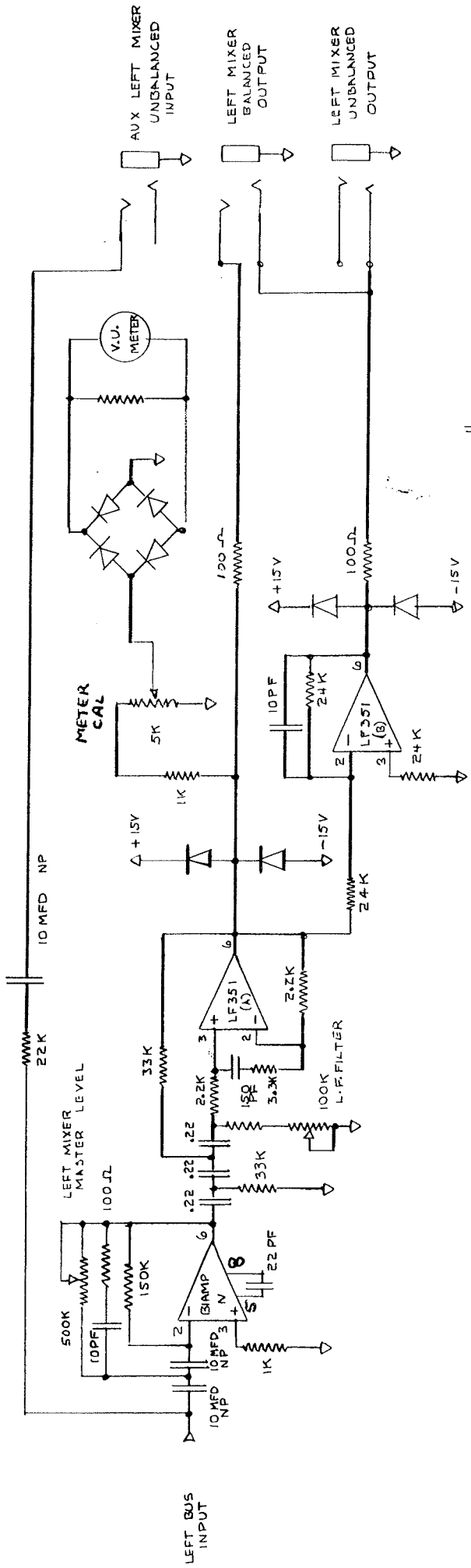
LOCATION CHART
 8-12 CHANNEL BOARD
 COMPONENT SIDE



LEFT MIXER + EFFECTS BOARD 8-12 MIXER

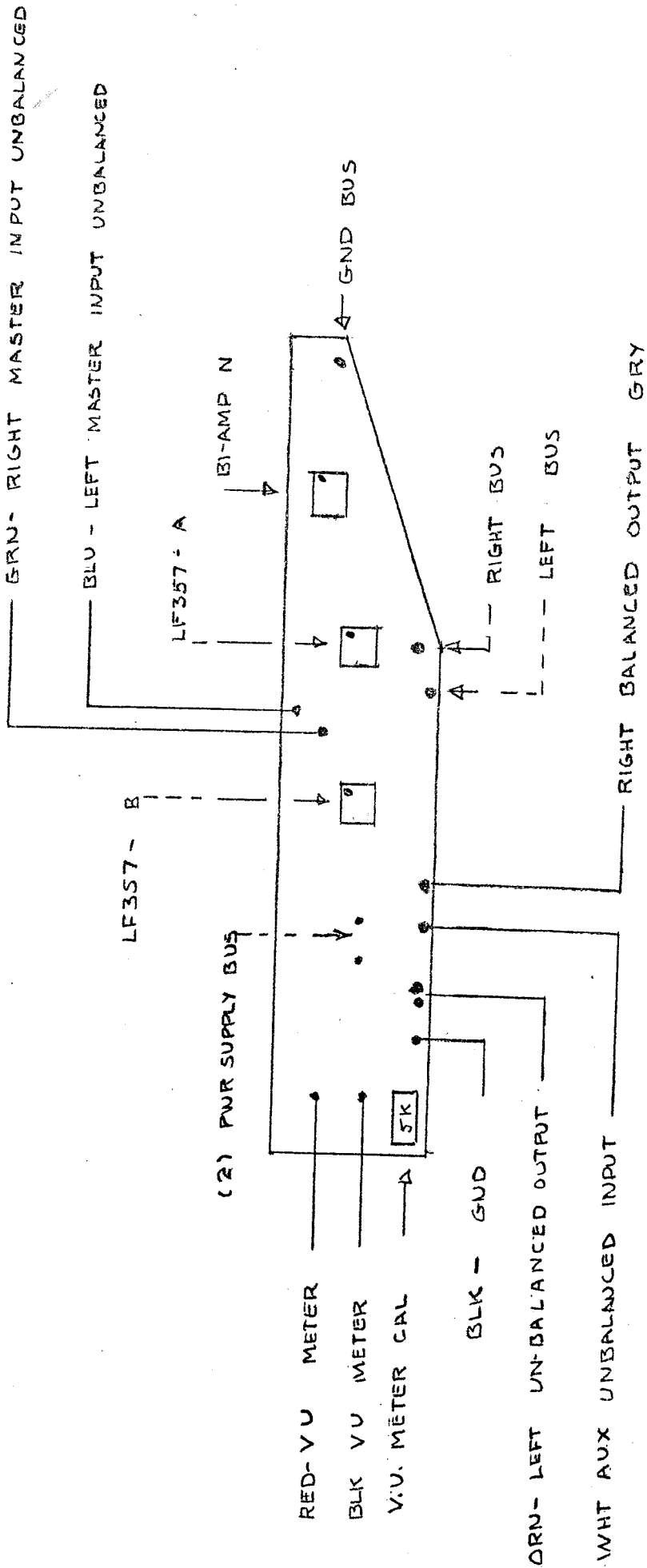
COMPONENT SIDE



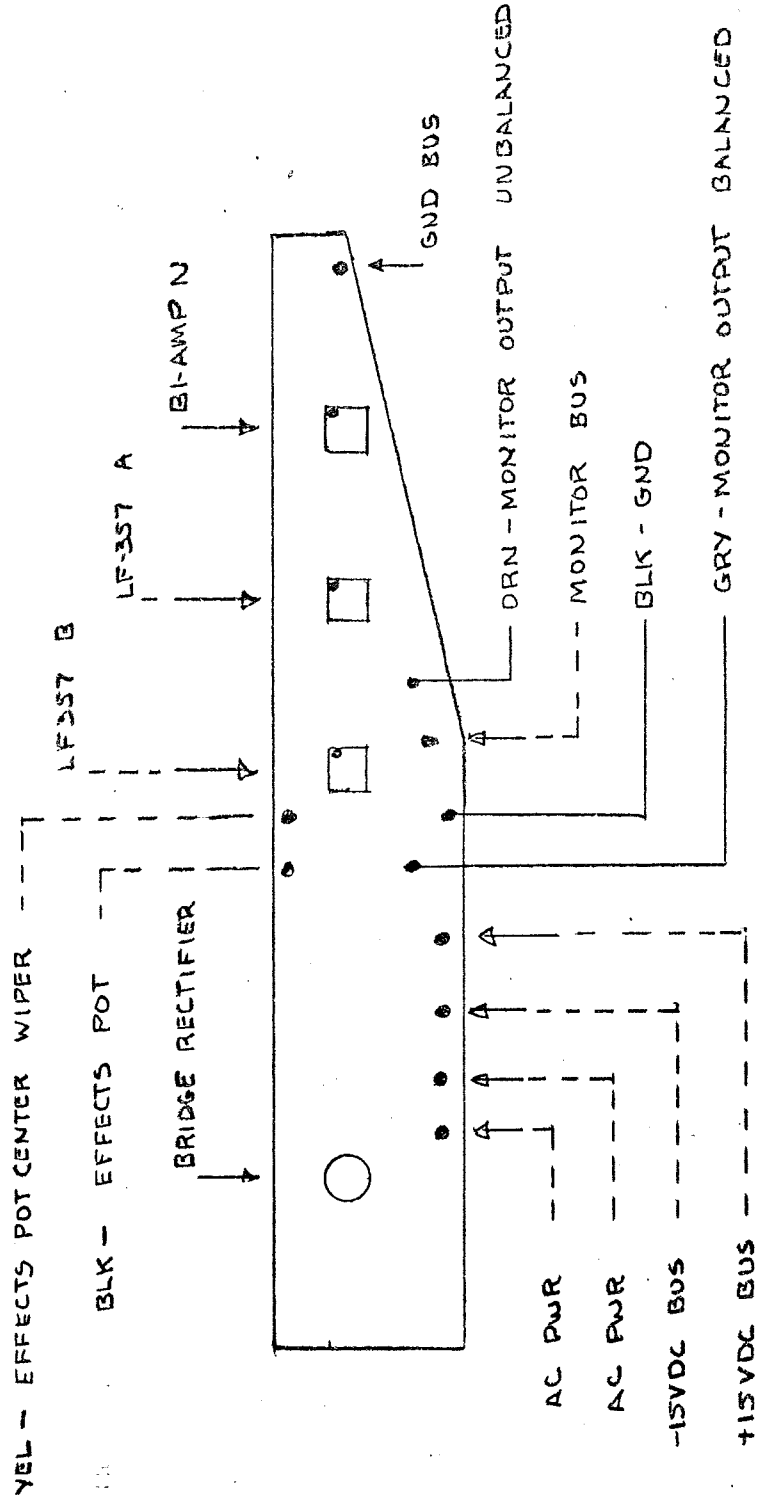


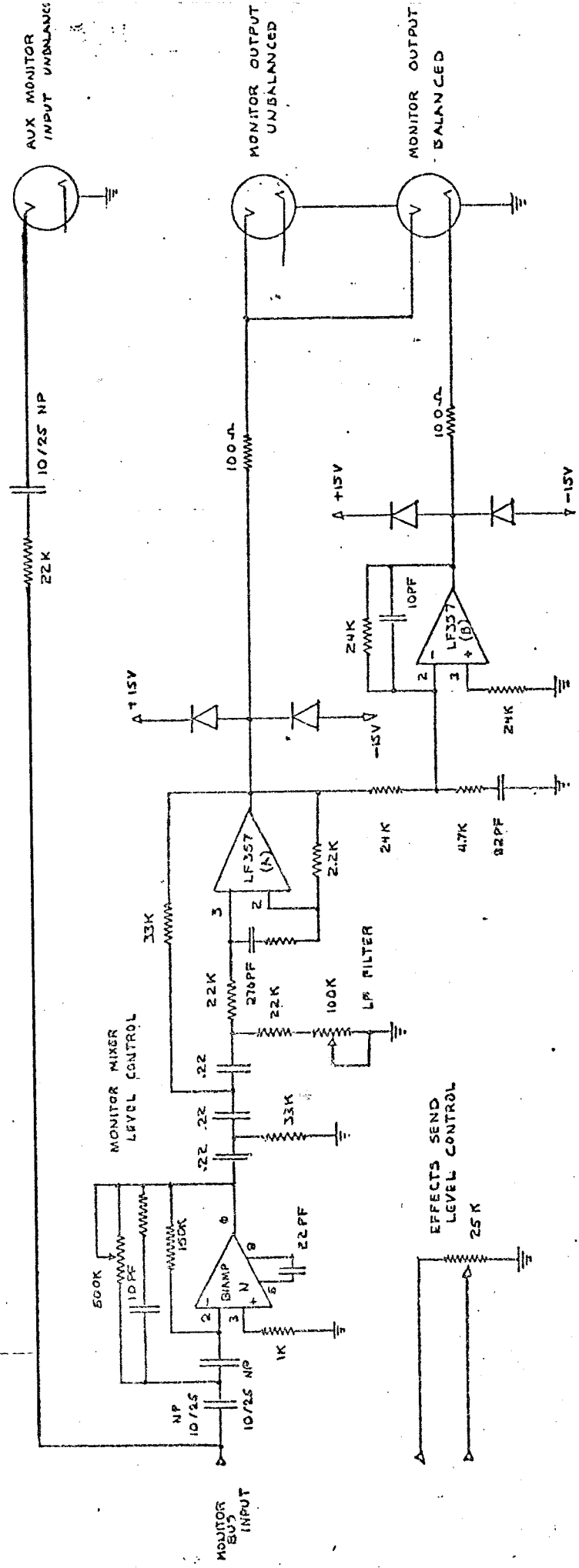
3802-1282 MIXER
 LEFT MIXER
 EFFECTS REVERB
 REV B

8-12 MIXER
RIGHT MIXER BOARD
COMPONENT SIDE

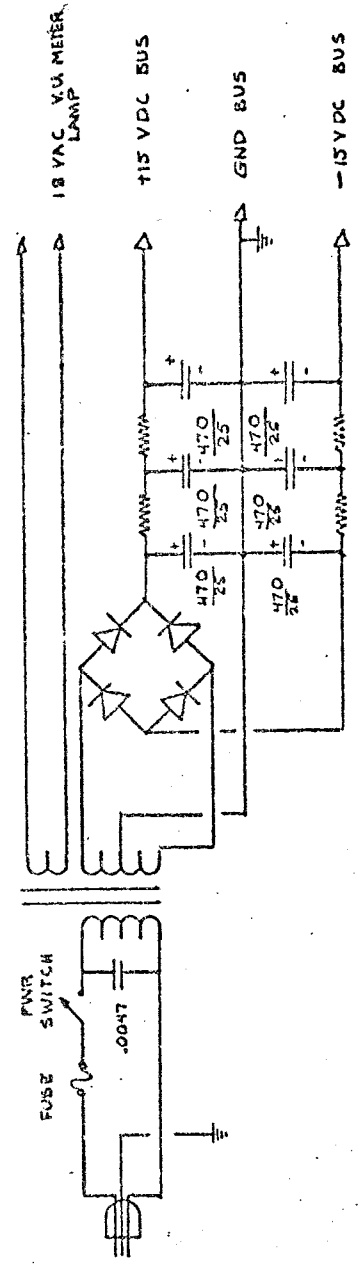


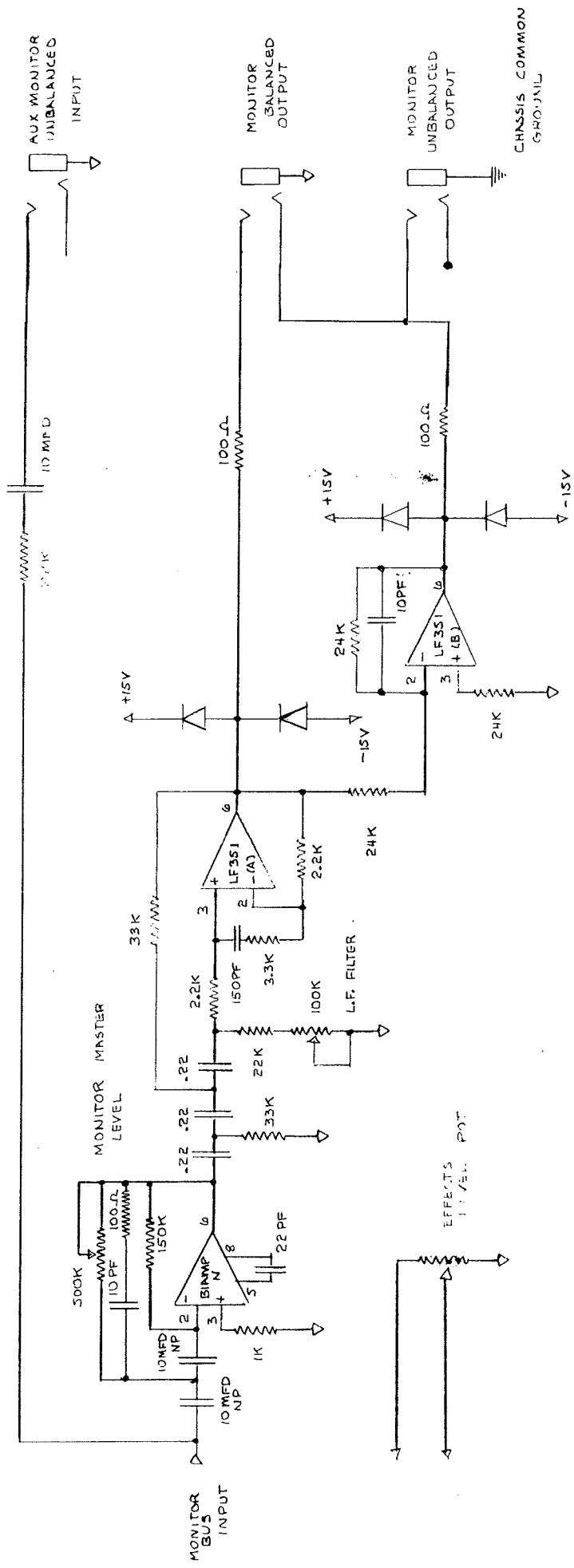
LOCATION CHART
 MONITOR POWER SUPPLY
 BOARD 8-12-CHAN MIXER





8802-12 B2 MIXER
MONITOR - PWR SUPPLY
REV A





5802-128Z MIXER
MONITOR - PWR SUPPLY
REV-B

- NOTE 1
128Z PWR SUPPLY
RESISTORS
R1 - R3 22Ω 5W
R2 - R4 27Ω 5W
- NOTE 2
802 PWR SUPPLY
RESISTORS
R1 - R3 33Ω 5W
R4 R4 51Ω 5W

