

CX 23

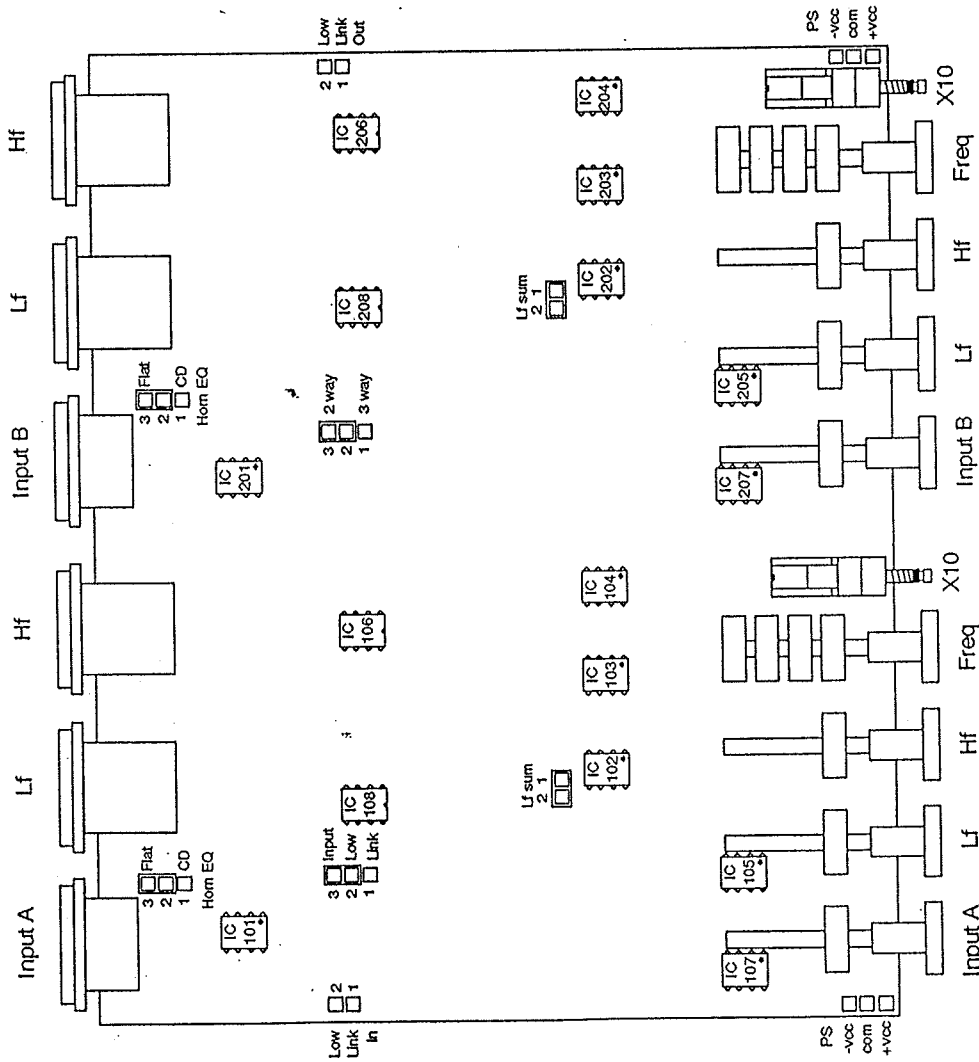
# Schematic

**B I A M P<sup>®</sup>**

---

S Y S T E M S





File name: CX23\_PCB.AI  
 CX23 PCB ASSY.  
 Dwg No. : A\_10031