

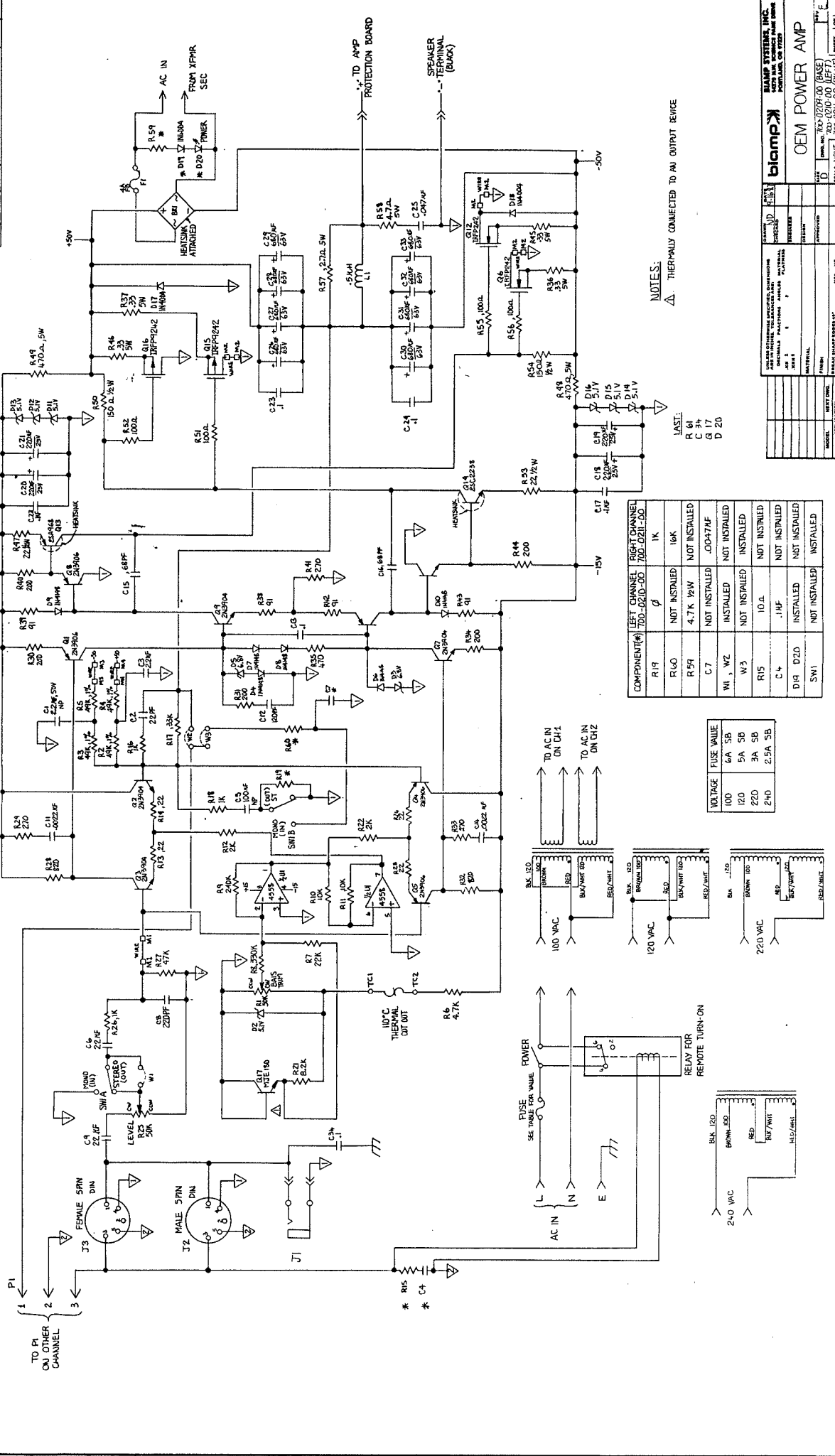
O.E.M.

Schematic

B I A M P[®]

S Y S T E M S

REV.	DATE	DESCRIPTION	BY	CHKD.
1.0A	03-21-88	REVISED
1.0B	04-01-88	REVISED
1.0C	08-01-88	REVISED
1.0D	08-01-88	REVISED
1.0E	11-21-88	REVISED

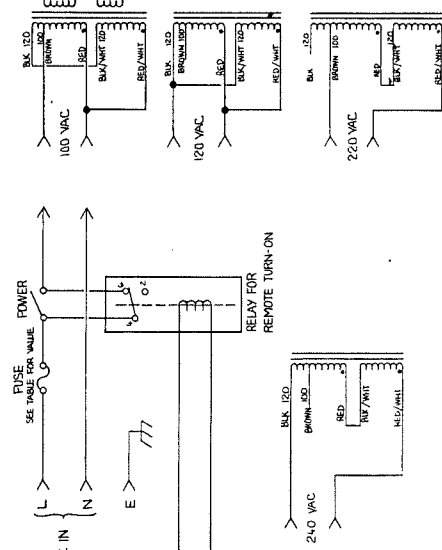


NOTES:
 ▲ THERMALLY CONNECTED TO AN OUTPUT DEVICE

LAST:
 C 9
 G 7
 D 20

COMPONENT(*)	LEFT CHANNEL 100-240V-50	RIGHT CHANNEL 100-240V-50
R19	1K	1K
R60	NOT INSTALLED	18K
R59	4.7K 1/2W	NOT INSTALLED
C7	NOT INSTALLED	.0047UF
W1, W2	INSTALLED	NOT INSTALLED
W3	NOT INSTALLED	INSTALLED
R15	10.0	NOT INSTALLED
C4	.1UF	NOT INSTALLED
D19, D20	INSTALLED	NOT INSTALLED
SW1	NOT INSTALLED	INSTALLED

VOLTAGE	FUSE VALUE
100	6A 5B
120	5A 5B
220	3A 5B
240	2.5A 5B



blamp
 OEM POWER AMP

REV.	DATE	DESCRIPTION	BY	CHKD.
1.0	08-01-88	REVISED
1.1	08-01-88	REVISED

MODEL	PART NO.	DESCRIPTION	QTY	UNIT
...

MODEL	PART NO.	DESCRIPTION	QTY	UNIT
...

MODEL	PART NO.	DESCRIPTION	QTY	UNIT
...

MODEL	PART NO.	DESCRIPTION	QTY	UNIT
...

REV	DATE	DESCRIPTION	BY	CHKD
00A	09-18-88	ISSUED FROM NIK TO TSK (1-27-88) ND		
00B	09-18-88	ISSUED FROM NIK TO TSK (1-27-88) ND		
00C	09-18-88	ISSUED FROM NIK TO TSK (1-27-88) ND		
00D	09-18-88	ISSUED FROM NIK TO TSK (1-27-88) ND		

REV	DATE	DESCRIPTION	BY	CHKD
00A	09-18-88	ISSUED FROM NIK TO TSK (1-27-88) ND		
00B	09-18-88	ISSUED FROM NIK TO TSK (1-27-88) ND		
00C	09-18-88	ISSUED FROM NIK TO TSK (1-27-88) ND		
00D	09-18-88	ISSUED FROM NIK TO TSK (1-27-88) ND		

REV	DATE	DESCRIPTION	BY	CHKD
00A	09-18-88	ISSUED FROM NIK TO TSK (1-27-88) ND		
00B	09-18-88	ISSUED FROM NIK TO TSK (1-27-88) ND		
00C	09-18-88	ISSUED FROM NIK TO TSK (1-27-88) ND		
00D	09-18-88	ISSUED FROM NIK TO TSK (1-27-88) ND		

REV	DATE	DESCRIPTION	BY	CHKD
00A	09-18-88	ISSUED FROM NIK TO TSK (1-27-88) ND		
00B	09-18-88	ISSUED FROM NIK TO TSK (1-27-88) ND		
00C	09-18-88	ISSUED FROM NIK TO TSK (1-27-88) ND		
00D	09-18-88	ISSUED FROM NIK TO TSK (1-27-88) ND		

REV	DATE	DESCRIPTION	BY	CHKD
00A	09-18-88	ISSUED FROM NIK TO TSK (1-27-88) ND		
00B	09-18-88	ISSUED FROM NIK TO TSK (1-27-88) ND		
00C	09-18-88	ISSUED FROM NIK TO TSK (1-27-88) ND		
00D	09-18-88	ISSUED FROM NIK TO TSK (1-27-88) ND		

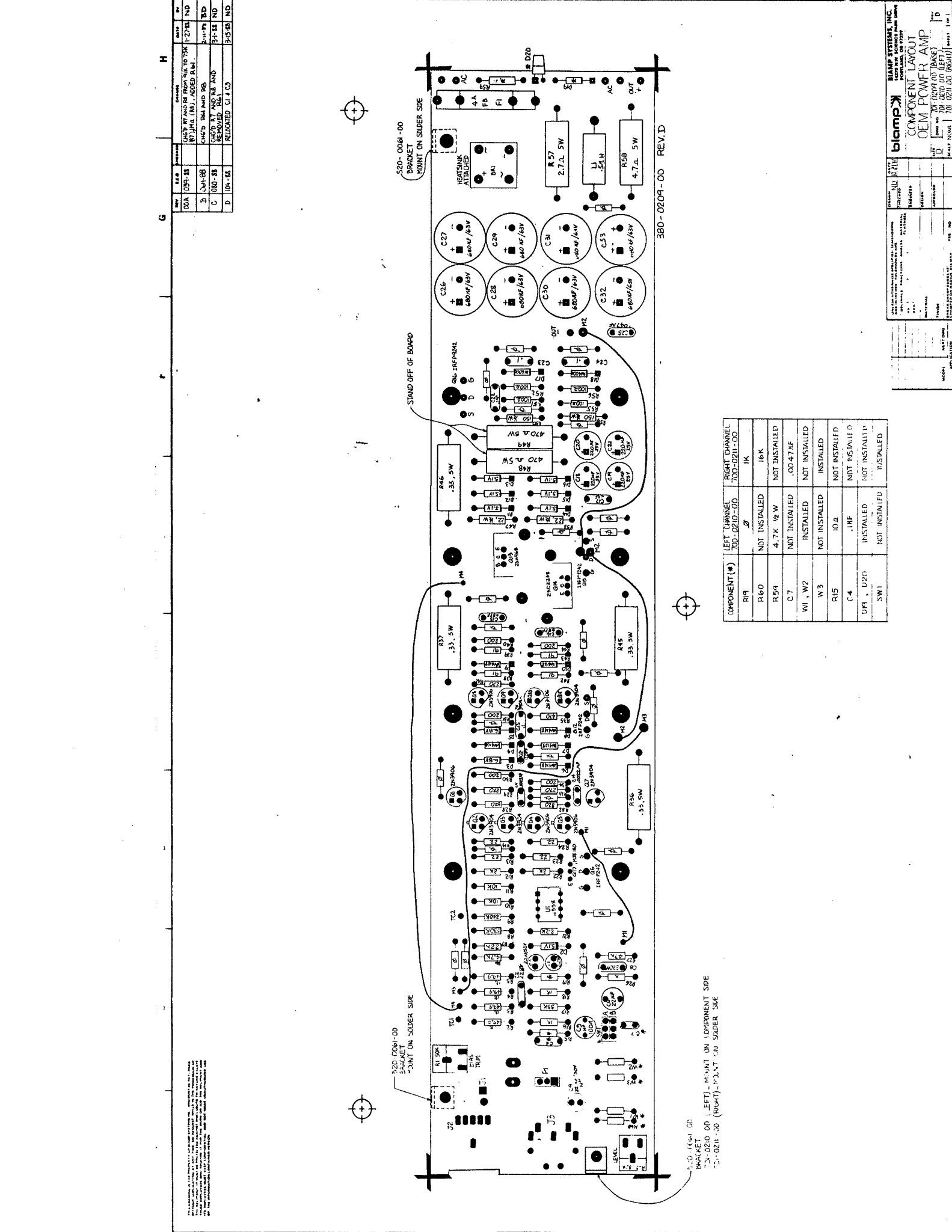
REV	DATE	DESCRIPTION	BY	CHKD
00A	09-18-88	ISSUED FROM NIK TO TSK (1-27-88) ND		
00B	09-18-88	ISSUED FROM NIK TO TSK (1-27-88) ND		
00C	09-18-88	ISSUED FROM NIK TO TSK (1-27-88) ND		
00D	09-18-88	ISSUED FROM NIK TO TSK (1-27-88) ND		

REV	DATE	DESCRIPTION	BY	CHKD
00A	09-18-88	ISSUED FROM NIK TO TSK (1-27-88) ND		
00B	09-18-88	ISSUED FROM NIK TO TSK (1-27-88) ND		
00C	09-18-88	ISSUED FROM NIK TO TSK (1-27-88) ND		
00D	09-18-88	ISSUED FROM NIK TO TSK (1-27-88) ND		

REV	DATE	DESCRIPTION	BY	CHKD
00A	09-18-88	ISSUED FROM NIK TO TSK (1-27-88) ND		
00B	09-18-88	ISSUED FROM NIK TO TSK (1-27-88) ND		
00C	09-18-88	ISSUED FROM NIK TO TSK (1-27-88) ND		
00D	09-18-88	ISSUED FROM NIK TO TSK (1-27-88) ND		

REV	DATE	DESCRIPTION	BY	CHKD
00A	09-18-88	ISSUED FROM NIK TO TSK (1-27-88) ND		
00B	09-18-88	ISSUED FROM NIK TO TSK (1-27-88) ND		
00C	09-18-88	ISSUED FROM NIK TO TSK (1-27-88) ND		
00D	09-18-88	ISSUED FROM NIK TO TSK (1-27-88) ND		

REV	DATE	DESCRIPTION	BY	CHKD
00A	09-18-88	ISSUED FROM NIK TO TSK (1-27-88) ND		
00B	09-18-88	ISSUED FROM NIK TO TSK (1-27-88) ND		
00C	09-18-88	ISSUED FROM NIK TO TSK (1-27-88) ND		
00D	09-18-88	ISSUED FROM NIK TO TSK (1-27-88) ND		



COMPONENT (*)	LEFT CHANNEL 700-0210-00	RIGHT CHANNEL 700-0211-00
R19	NOT INSTALLED	IK
R60	NOT INSTALLED	16K
R59	4.7K 1/2 W	NOT INSTALLED
C7	NOT INSTALLED	00.47UF
W1, W2	INSTALLED	NOT INSTALLED
W3	NOT INSTALLED	INSTALLED
R15	10Ω	NOT INSTALLED
C4	.1MF	NOT INSTALLED
D19, U20	INSTALLED	NOT INSTALLED
SW1	NOT INSTALLED	INSTALLED

blamp SYSTEMS, INC.
 1000 W. 10TH AVENUE, SUITE 100
 DENVER, CO 80202
 TEL: 303.733.1111 FAX: 303.733.1112
 WWW.BLAMP.COM

380-0209-00 REV.D
 OEM POWER AMP
 1000 W. 10TH AVENUE, SUITE 100
 DENVER, CO 80202
 TEL: 303.733.1111 FAX: 303.733.1112
 WWW.BLAMP.COM

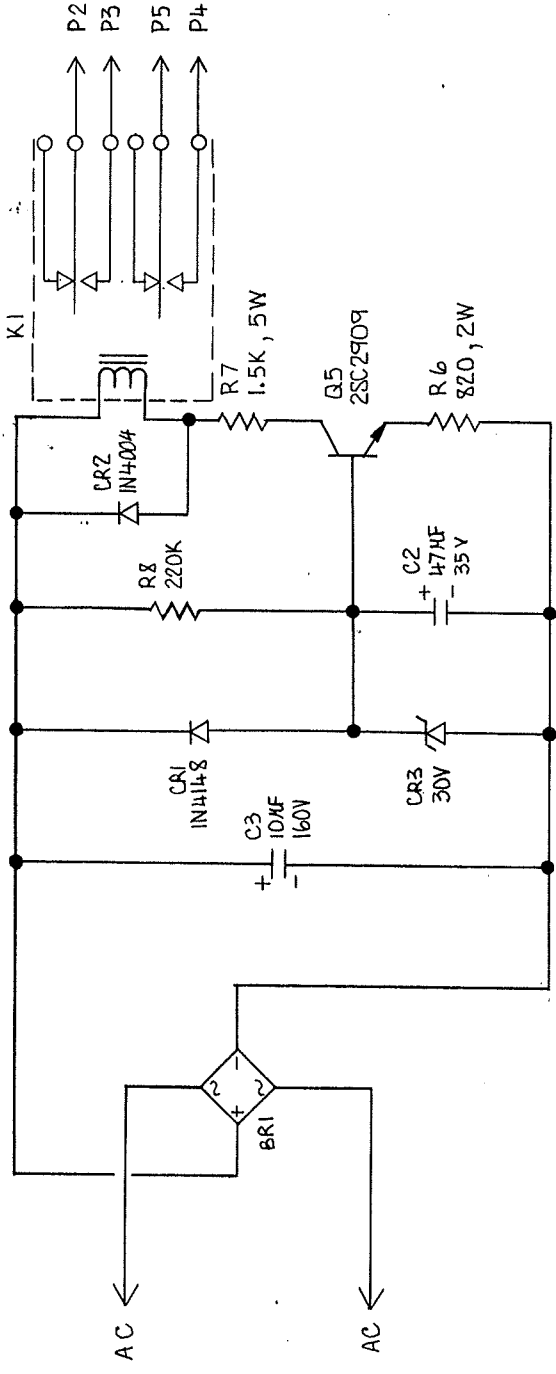
A

B

C

D

THIS DRAWING IS THE PROPERTY OF BIAMP SYSTEMS INC., AND MUST BE RETURNED, WITH NO REPLICATIONS, TO THE COMPANY UPON REQUEST, WHILE IN THE POSSESSION OF ANY EMPLOYEE OF BIAMP SYSTEMS INC. OR ANY OTHER EMPLOYEE OF ANY COMPANY WHOSE EMPLOYMENT IS OBTAINED THROUGH THE EMPLOYMENT OF BIAMP SYSTEMS INC. OR ANY OTHER EMPLOYEE OF ANY COMPANY WHOSE EMPLOYMENT IS OBTAINED THROUGH THE EMPLOYMENT OF BIAMP SYSTEMS INC. AND NOT MAKE UNAUTHORIZED USE OF THE INFORMATION CONTAINED HEREON.



ITEM		PART NO.		DESCRIPTION		SIZE		QTY.	
UNLESS OTHERWISE SPECIFIED, DIMENSIONS ARE IN INCHES. TOLERANCES ARE:		DRAWN ND		DATE 1-19-88		BIAMP SYSTEMS INC.			
DECIMALS .XX ±		CHECKED				OEM AMP PROTECTION PCB ASSY SCHEMATIC			
FRACTIONS ±		ENGINEER				SIZE B		DWG. NO. 700-0220-00	
ANGLES ±		DESIGN				SCALE NONE		DO NOT SCALE DRAWING	
PLATNESS .XXX ±		APPROVED				REV.		SHEET 1 OF 1	
MATERIAL									
FINISH									
BREAK SHARP EDGES 45° CHAMFER OR RADIUS .010 MAX.									
MODEL									
NEXT DWG.									
APPLICATION									

D

C

B

A

1

2

