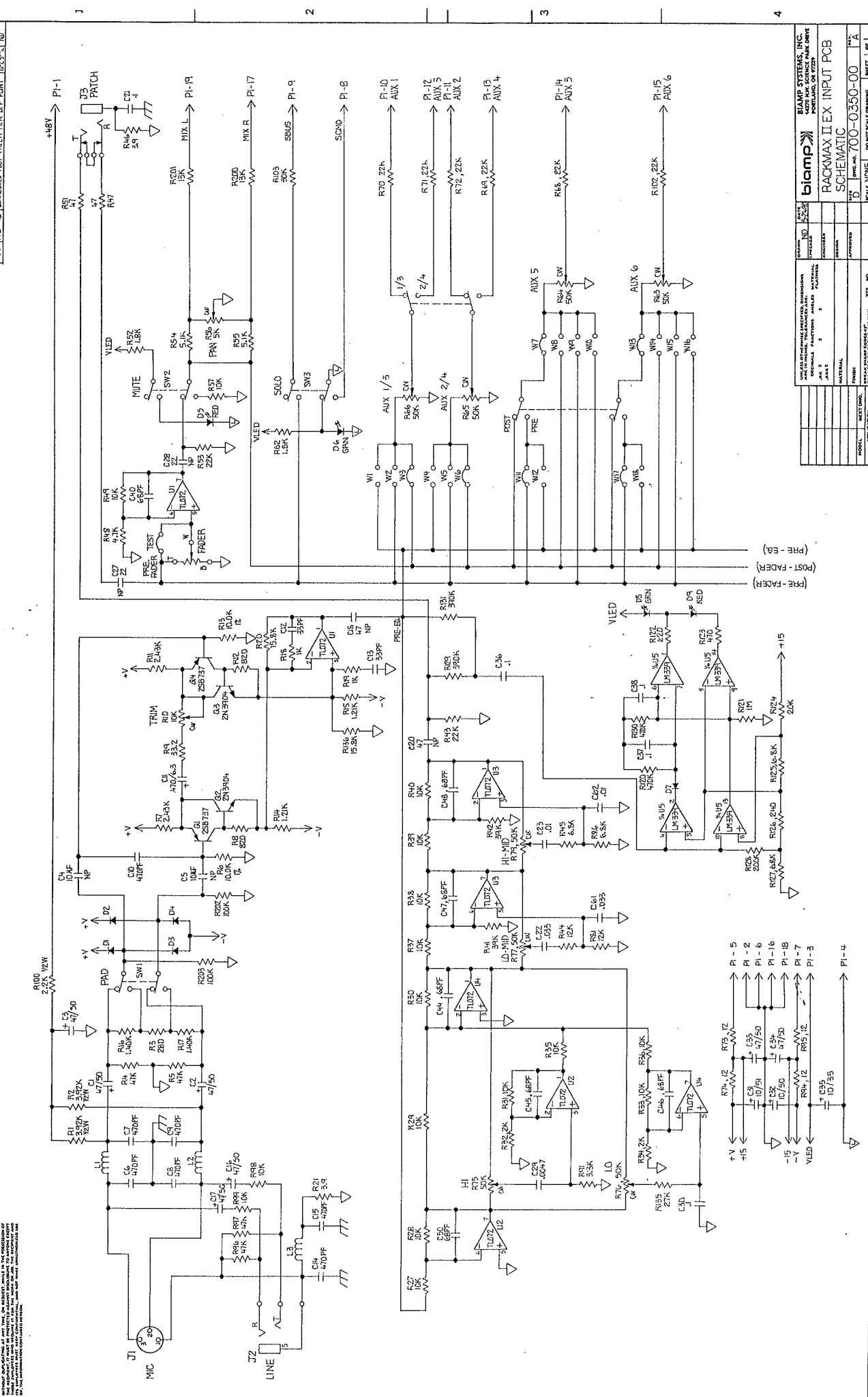


Rackmax Ilex

Schematic

B I A M P[®]

S Y S T E M S



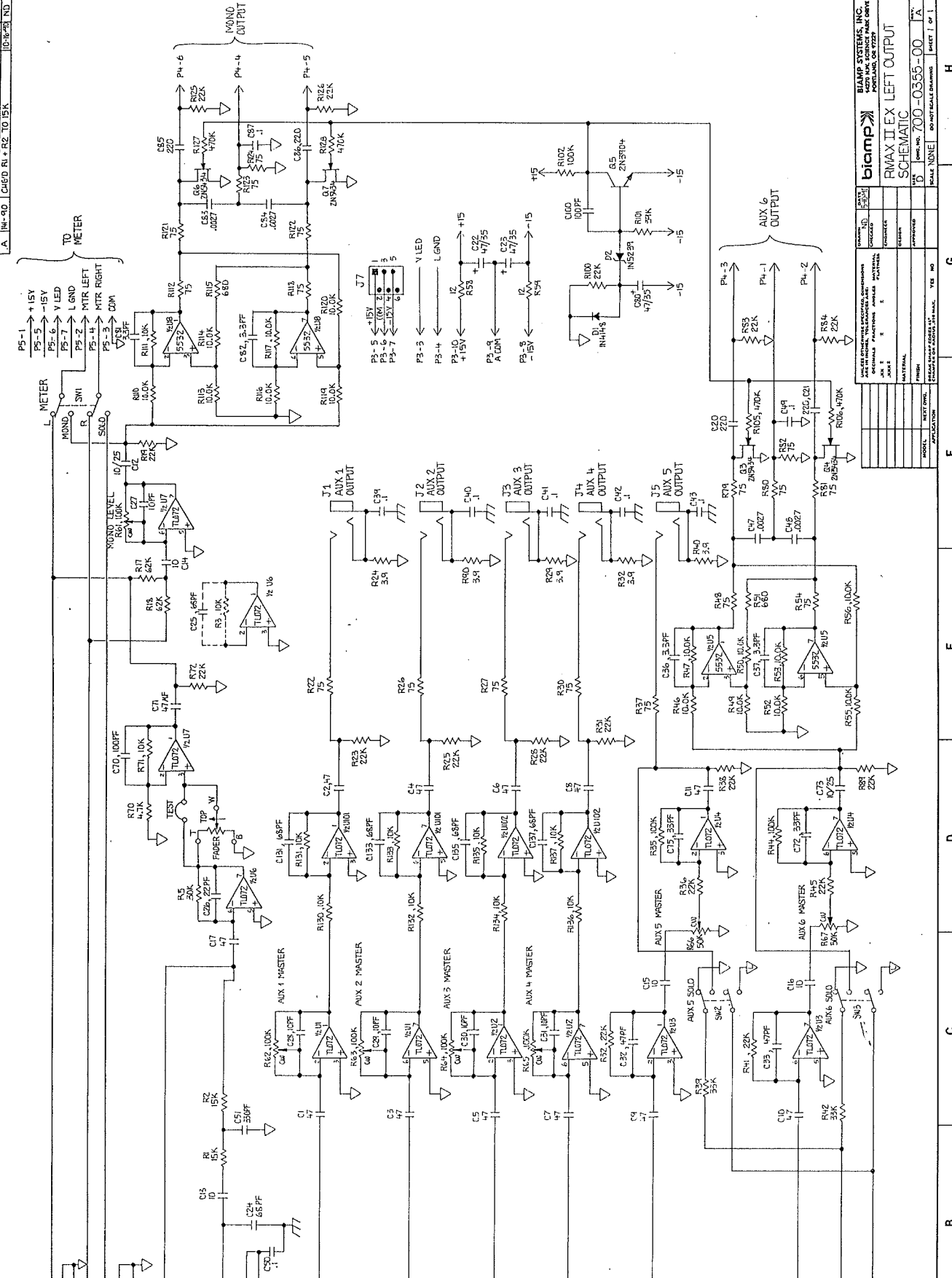
biamp
 4400 N.W. Science Park Drive
 Portland, OR 97228

**RACKMAX II EX INPUT PCB
 SCHEMATIC**

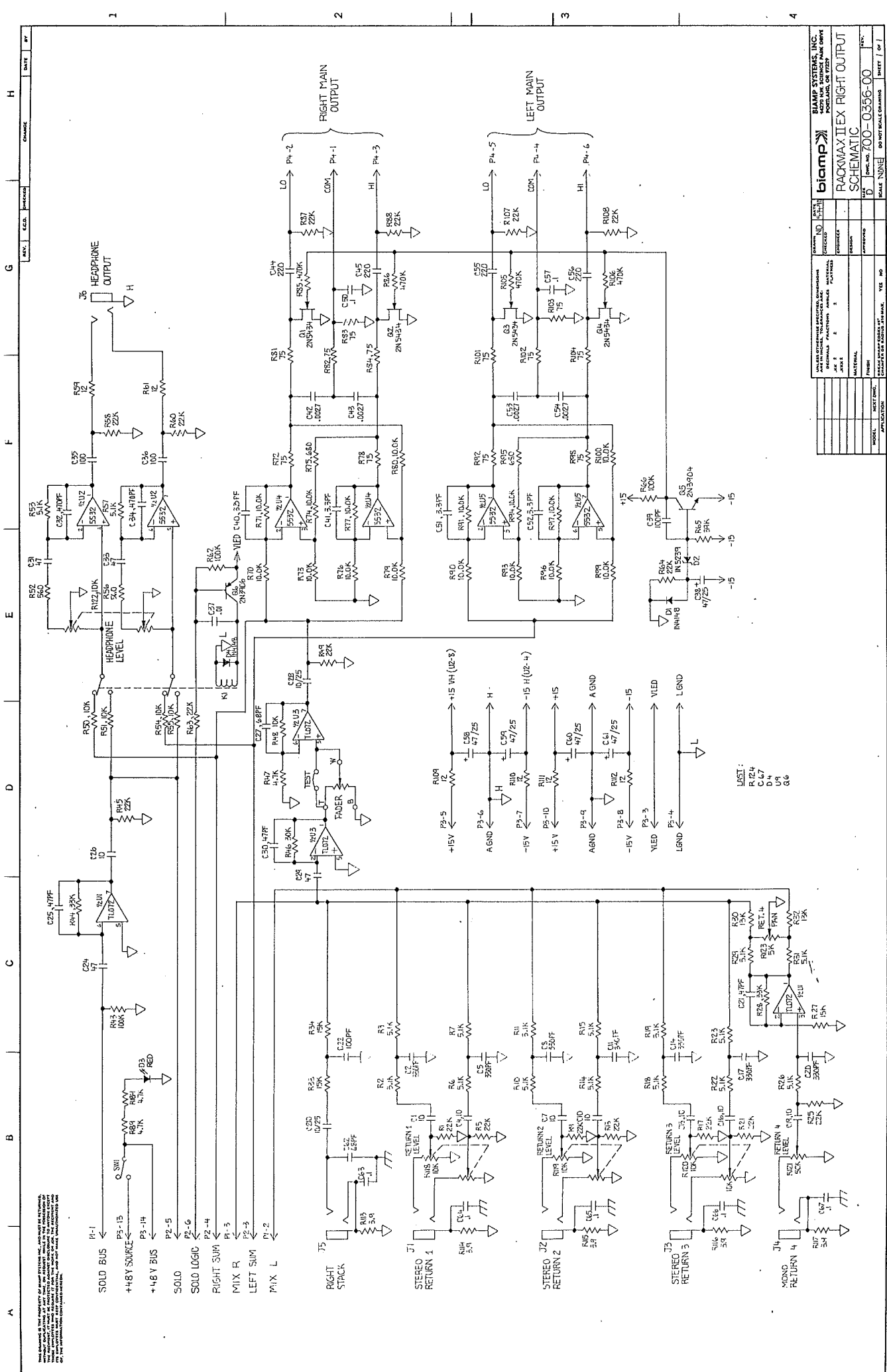
REV. DATE CHECKED BY
 A INE-00 UNRECORDED PCB-FREE PCB-REF POINT 10/23/84 ND

DATE: 10/23/84
 DRAWN BY: J. J. JONES
 CHECKED BY: J. J. JONES
 DESIGNED BY: J. J. JONES
 APPROVED BY: J. J. JONES
 MATERIAL: FR-4
 MODEL: RACKMAX II EX INPUT PCB
 APPLICATION: RACKMIXING CONSOLE
 PART NO.: 700-0350-00
 SHEET 1 OF 1

THE INFORMATION CONTAINED HEREIN IS UNCLASSIFIED EXCEPT WHERE SHOWN OTHERWISE. IT IS THE PROPERTY OF BIAAMP SYSTEMS, INC. AND IS LOANED TO YOU BY THE BIAAMP SYSTEMS, INC. PORTLAND, OREGON. IT IS NOT TO BE REPRODUCED OR TRANSMITTED IN ANY FORM OR BY ANY MEANS, ELECTRONIC OR MECHANICAL, INCLUDING PHOTOCOPYING, RECORDING, OR BY ANY INFORMATION STORAGE AND RETRIEVAL SYSTEM. THE INFORMATION CONTAINED HEREIN IS UNCLASSIFIED EXCEPT WHERE SHOWN OTHERWISE.



DATE: 10/18/83		DRAWN BY: ND	
REV: A		CHECKED BY: ND	
REV: B		CHECKED BY: ND	
REV: C		CHECKED BY: ND	
REV: D		CHECKED BY: ND	
REV: E		CHECKED BY: ND	
REV: F		CHECKED BY: ND	
REV: G		CHECKED BY: ND	
REV: H		CHECKED BY: ND	
REV: I		CHECKED BY: ND	
REV: J		CHECKED BY: ND	
REV: K		CHECKED BY: ND	
REV: L		CHECKED BY: ND	
REV: M		CHECKED BY: ND	
REV: N		CHECKED BY: ND	
REV: O		CHECKED BY: ND	
REV: P		CHECKED BY: ND	
REV: Q		CHECKED BY: ND	
REV: R		CHECKED BY: ND	
REV: S		CHECKED BY: ND	
REV: T		CHECKED BY: ND	
REV: U		CHECKED BY: ND	
REV: V		CHECKED BY: ND	
REV: W		CHECKED BY: ND	
REV: X		CHECKED BY: ND	
REV: Y		CHECKED BY: ND	
REV: Z		CHECKED BY: ND	
REV: AA		CHECKED BY: ND	
REV: AB		CHECKED BY: ND	
REV: AC		CHECKED BY: ND	
REV: AD		CHECKED BY: ND	
REV: AE		CHECKED BY: ND	
REV: AF		CHECKED BY: ND	
REV: AG		CHECKED BY: ND	
REV: AH		CHECKED BY: ND	
REV: AI		CHECKED BY: ND	
REV: AJ		CHECKED BY: ND	
REV: AK		CHECKED BY: ND	
REV: AL		CHECKED BY: ND	
REV: AM		CHECKED BY: ND	
REV: AN		CHECKED BY: ND	
REV: AO		CHECKED BY: ND	
REV: AP		CHECKED BY: ND	
REV: AQ		CHECKED BY: ND	
REV: AR		CHECKED BY: ND	
REV: AS		CHECKED BY: ND	
REV: AT		CHECKED BY: ND	
REV: AU		CHECKED BY: ND	
REV: AV		CHECKED BY: ND	
REV: AW		CHECKED BY: ND	
REV: AX		CHECKED BY: ND	
REV: AY		CHECKED BY: ND	
REV: AZ		CHECKED BY: ND	
REV: BA		CHECKED BY: ND	
REV: BB		CHECKED BY: ND	
REV: BC		CHECKED BY: ND	
REV: BD		CHECKED BY: ND	
REV: BE		CHECKED BY: ND	
REV: BF		CHECKED BY: ND	
REV: BG		CHECKED BY: ND	
REV: BH		CHECKED BY: ND	
REV: BI		CHECKED BY: ND	
REV: BJ		CHECKED BY: ND	
REV: BK		CHECKED BY: ND	
REV: BL		CHECKED BY: ND	
REV: BM		CHECKED BY: ND	
REV: BN		CHECKED BY: ND	
REV: BO		CHECKED BY: ND	
REV: BP		CHECKED BY: ND	
REV: BQ		CHECKED BY: ND	
REV: BR		CHECKED BY: ND	
REV: BS		CHECKED BY: ND	
REV: BT		CHECKED BY: ND	
REV: BU		CHECKED BY: ND	
REV: BV		CHECKED BY: ND	
REV: BW		CHECKED BY: ND	
REV: BX		CHECKED BY: ND	
REV: BY		CHECKED BY: ND	
REV: BZ		CHECKED BY: ND	
REV: CA		CHECKED BY: ND	
REV: CB		CHECKED BY: ND	
REV: CC		CHECKED BY: ND	
REV: CD		CHECKED BY: ND	
REV: CE		CHECKED BY: ND	
REV: CF		CHECKED BY: ND	
REV: CG		CHECKED BY: ND	
REV: CH		CHECKED BY: ND	
REV: CI		CHECKED BY: ND	
REV: CJ		CHECKED BY: ND	
REV: CK		CHECKED BY: ND	
REV: CL		CHECKED BY: ND	
REV: CM		CHECKED BY: ND	
REV: CN		CHECKED BY: ND	
REV: CO		CHECKED BY: ND	
REV: CP		CHECKED BY: ND	
REV: CQ		CHECKED BY: ND	
REV: CR		CHECKED BY: ND	
REV: CS		CHECKED BY: ND	
REV: CT		CHECKED BY: ND	
REV: CU		CHECKED BY: ND	
REV: CV		CHECKED BY: ND	
REV: CW		CHECKED BY: ND	
REV: CX		CHECKED BY: ND	
REV: CY		CHECKED BY: ND	
REV: CZ		CHECKED BY: ND	
REV: DA		CHECKED BY: ND	
REV: DB		CHECKED BY: ND	
REV: DC		CHECKED BY: ND	
REV: DD		CHECKED BY: ND	
REV: DE		CHECKED BY: ND	
REV: DF		CHECKED BY: ND	
REV: DG		CHECKED BY: ND	
REV: DH		CHECKED BY: ND	
REV: DI		CHECKED BY: ND	
REV: DJ		CHECKED BY: ND	
REV: DK		CHECKED BY: ND	
REV: DL		CHECKED BY: ND	
REV: DM		CHECKED BY: ND	
REV: DN		CHECKED BY: ND	
REV: DO		CHECKED BY: ND	
REV: DP		CHECKED BY: ND	
REV: DQ		CHECKED BY: ND	
REV: DR		CHECKED BY: ND	
REV: DS		CHECKED BY: ND	
REV: DT		CHECKED BY: ND	
REV: DU		CHECKED BY: ND	
REV: DV		CHECKED BY: ND	
REV: DW		CHECKED BY: ND	
REV: DX		CHECKED BY: ND	
REV: DY		CHECKED BY: ND	
REV: DZ		CHECKED BY: ND	
REV: EA		CHECKED BY: ND	
REV: EB		CHECKED BY: ND	
REV: EC		CHECKED BY: ND	
REV: ED		CHECKED BY: ND	
REV: EE		CHECKED BY: ND	
REV: EF		CHECKED BY: ND	
REV: EG		CHECKED BY: ND	
REV: EH		CHECKED BY: ND	
REV: EI		CHECKED BY: ND	
REV: EJ		CHECKED BY: ND	
REV: EK		CHECKED BY: ND	
REV: EL		CHECKED BY: ND	
REV: EM		CHECKED BY: ND	
REV: EN		CHECKED BY: ND	
REV: EO		CHECKED BY: ND	
REV: EP		CHECKED BY: ND	
REV: EQ		CHECKED BY: ND	
REV: ER		CHECKED BY: ND	
REV: ES		CHECKED BY: ND	
REV: ET		CHECKED BY: ND	
REV: EU		CHECKED BY: ND	
REV: EV		CHECKED BY: ND	
REV: EW		CHECKED BY: ND	
REV: EX		CHECKED BY: ND	
REV: EY		CHECKED BY: ND	
REV: EZ		CHECKED BY: ND	
REV: FA		CHECKED BY: ND	
REV: FB		CHECKED BY: ND	
REV: FC		CHECKED BY: ND	
REV: FD		CHECKED BY: ND	
REV: FE		CHECKED BY: ND	
REV: FF		CHECKED BY: ND	
REV: FG		CHECKED BY: ND	
REV: FH		CHECKED BY: ND	
REV: FI		CHECKED BY: ND	
REV: FJ		CHECKED BY: ND	
REV: FK		CHECKED BY: ND	
REV: FL		CHECKED BY: ND	
REV: FM		CHECKED BY: ND	
REV: FN		CHECKED BY: ND	
REV: FO		CHECKED BY: ND	
REV: FP		CHECKED BY: ND	
REV: FQ		CHECKED BY: ND	
REV: FR		CHECKED BY: ND	
REV: FS		CHECKED BY: ND	
REV: FT		CHECKED BY: ND	
REV: FU		CHECKED BY: ND	
REV: FV		CHECKED BY: ND	
REV: FW		CHECKED BY: ND	
REV: FX		CHECKED BY: ND	
REV: FY		CHECKED BY: ND	
REV: FZ		CHECKED BY: ND	
REV: GA		CHECKED BY: ND	
REV: GB		CHECKED BY: ND	
REV: GC		CHECKED BY: ND	
REV: GD		CHECKED BY: ND	
REV: GE		CHECKED BY: ND	
REV: GF		CHECKED BY: ND	
REV: GG		CHECKED BY: ND	
REV: GH		CHECKED BY: ND	
REV: GI		CHECKED BY: ND	
REV: GJ		CHECKED BY: ND	
REV: GK		CHECKED BY: ND	
REV: GL		CHECKED BY: ND	
REV: GM		CHECKED BY: ND	
REV: GN		CHECKED BY: ND	
REV: GO		CHECKED BY: ND	
REV: GP		CHECKED BY: ND	
REV: GQ		CHECKED BY: ND	
REV: GR		CHECKED BY: ND	
REV: GS		CHECKED BY: ND	
REV: GT		CHECKED BY: ND	
REV: GU		CHECKED BY: ND	
REV: GV		CHECKED BY: ND	
REV: GW		CHECKED BY: ND	
REV: GX		CHECKED BY: ND	
REV: GY		CHECKED BY: ND	
REV: GZ		CHECKED BY: ND	
REV: HA		CHECKED BY: ND	
REV: HB		CHECKED BY: ND	
REV: HC		CHECKED BY: ND	
REV: HD		CHECKED BY: ND	
REV: HE		CHECKED BY: ND	
REV: HF		CHECKED BY: ND	
REV: HG		CHECKED BY: ND	
REV: HH		CHECKED BY: ND	
REV: HI		CHECKED BY: ND	
REV: HJ		CHECKED BY: ND	
REV: HK		CHECKED BY: ND	
REV: HL		CHECKED BY: ND	
REV: HM		CHECKED BY: ND	
REV: HN		CHECKED BY: ND	
REV: HO		CHECKED BY: ND	
REV: HP		CHECKED BY: ND	
REV: HQ		CHECKED BY: ND	
REV: HR		CHECKED BY: ND	
REV: HS		CHECKED BY: ND	
REV: HT		CHECKED BY: ND	
REV: HU		CHECKED BY: ND	
REV: HV		CHECKED BY: ND	
REV: HW		CHECKED BY: ND	
REV: HX		CHECKED BY: ND	
REV: HY		CHECKED BY: ND	
REV: HZ		CHECKED BY: ND	
REV: IA		CHECKED BY: ND	
REV: IB		CHECKED BY: ND	
REV: IC		CHECKED BY: ND	
REV: ID		CHECKED BY: ND	
REV: IE		CHECKED BY: ND	
REV: IF		CHECKED BY: ND	
REV: IG		CHECKED BY: ND	
REV: IH		CHECKED BY: ND	
REV: II		CHECKED BY: ND	
REV: IJ		CHECKED BY: ND	
REV: IK		CHECKED BY: ND	
REV: IL		CHECKED BY: ND	
REV: IM		CHECKED BY: ND	
REV: IN		CHECKED BY: ND	
REV: IO		CHECKED BY: ND	
REV: IP		CHECKED BY: ND	
REV: IQ		CHECKED BY: ND	
REV: IR		CHECKED BY: ND	
REV: IS		CHECKED BY: ND	
REV: IT		CHECKED BY: ND	
REV: IU		CHECKED BY: ND	
REV: IV		CHECKED BY: ND	
REV: IW		CHECKED BY: ND	
REV: IX		CHECKED BY: ND	
REV: IY		CHECKED BY: ND	
REV: IZ		CHECKED BY: ND	
REV: JA		CHECKED BY: ND	
REV: JB		CHECKED BY: ND	
REV: JC		CHECKED BY: ND	
REV: JD		CHECKED BY: ND	
REV: JE		CHECKED BY: ND	
REV: JF		CHECKED BY: ND	
REV: JG		CHECKED BY: ND	
REV: JH		CHECKED BY: ND	
REV: JI		CHECKED BY: ND	
REV: JJ		CHECKED BY: ND	
REV: JK		CHECKED BY: ND	
REV: JL		CHECKED BY: ND	
REV: JM		CHECKED BY: ND	
REV: JN		CHECKED BY: ND	
REV: JO		CHECKED BY: ND	
REV: JP		CHECKED BY: ND	
REV: JQ		CHECKED BY: ND	
REV: JR		CHECKED BY: ND	
REV: JS		CHECKED BY: ND	
REV: JT		CHECKED BY: ND	
REV: JU		CHECKED BY: ND	
REV: JV		CHECKED BY: ND	
REV: JW		CHECKED BY: ND	
REV: JX		CHECKED BY: ND	
REV: JY		CHECKED BY: ND	
REV: JZ		CHECKED BY: ND	
REV: KA		CHECKED BY: ND	
REV: KB		CHECKED BY: ND	
REV: KC		CHECKED BY: ND	
REV: KD		CHECKED BY: ND	
REV: KE		CHECKED BY: ND	
REV: KF		CHECKED BY: ND	
REV: KG		CHECKED BY: ND	
REV: KH		CHECKED BY: ND	
REV: KI		CHECKED BY: ND	
REV: KJ		CHECKED BY: ND	
REV: KK		CHECKED BY: ND	
REV: KL		CHECKED BY: ND	
REV: KM		CHECKED BY: ND	
REV: KN		CHECKED BY: ND	
REV: KO		CHECKED BY: ND	
REV: KP		CHECKED BY: ND	
REV: KQ		CHECKED BY: ND	
REV: KR		CHECKED BY: ND	
REV: KS		CHECKED BY: ND	
REV: KT		CHECKED BY: ND	
REV: KU		CHECKED BY: ND	
REV: KV		CHECKED BY: ND	
REV: KW		CHECKED BY: ND	
REV: KX		CHECKED BY: ND	
REV: KY		CHECKED BY: ND	
REV: KZ		CHECKED BY: ND	
REV: LA		CHECKED BY: ND	
REV: LB		CHECKED BY: ND	
REV: LC		CHECKED BY: ND	
REV: LD		CHECKED BY: ND	
REV: LE		CHECKED BY: ND	
REV: LF		CHECKED BY: ND	
REV: LG		CHECKED BY: ND	
REV: LH		CHECKED BY: ND	
REV: LI		CHECKED BY: ND	
REV: LJ		CHECKED BY: ND	
REV: LK		CHECKED BY: ND	
REV: LL		CHECKED BY: ND	
REV: LM		CHECKED BY: ND	
REV: LN		CHECKED BY: ND	
REV: LO		CHECKED BY: ND	
REV: LP		CHECKED BY: ND	
REV: LQ		CHECKED BY: ND	
REV: LR		CHECKED BY: ND	
REV: LS		CHECKED BY: ND	
REV: LT		CHECKED BY: ND	
REV: LU		CHECKED BY: ND	
REV: LV		CHECKED BY: ND	
REV: LW		CHECKED BY: ND	
REV: LX		CHECKED BY: ND	
REV: LY		CHECKED BY: ND	
REV: LZ		CHECKED BY: ND	
REV: MA		CHECKED BY: ND	
REV: MB		CHECKED BY: ND	
REV: MC		CHECKED BY: ND	
REV: MD		CHECKED BY: ND	
REV: ME		CHECKED BY: ND	
REV: MF		CHECKED BY: ND	
REV: MG		CHECKED BY: ND	
REV: MH		CHECKED BY: ND	
REV: MI		CHECKED BY: ND</	



1
2
3
4

A B C D E F G H

REV. E.C.D. 10/68

DATE

CHANGE

1
2
3
4

A B C D E F G H

REV. E.C.D. 10/68

DATE

CHANGE

1
2
3
4

A B C D E F G H

REV. E.C.D. 10/68

DATE

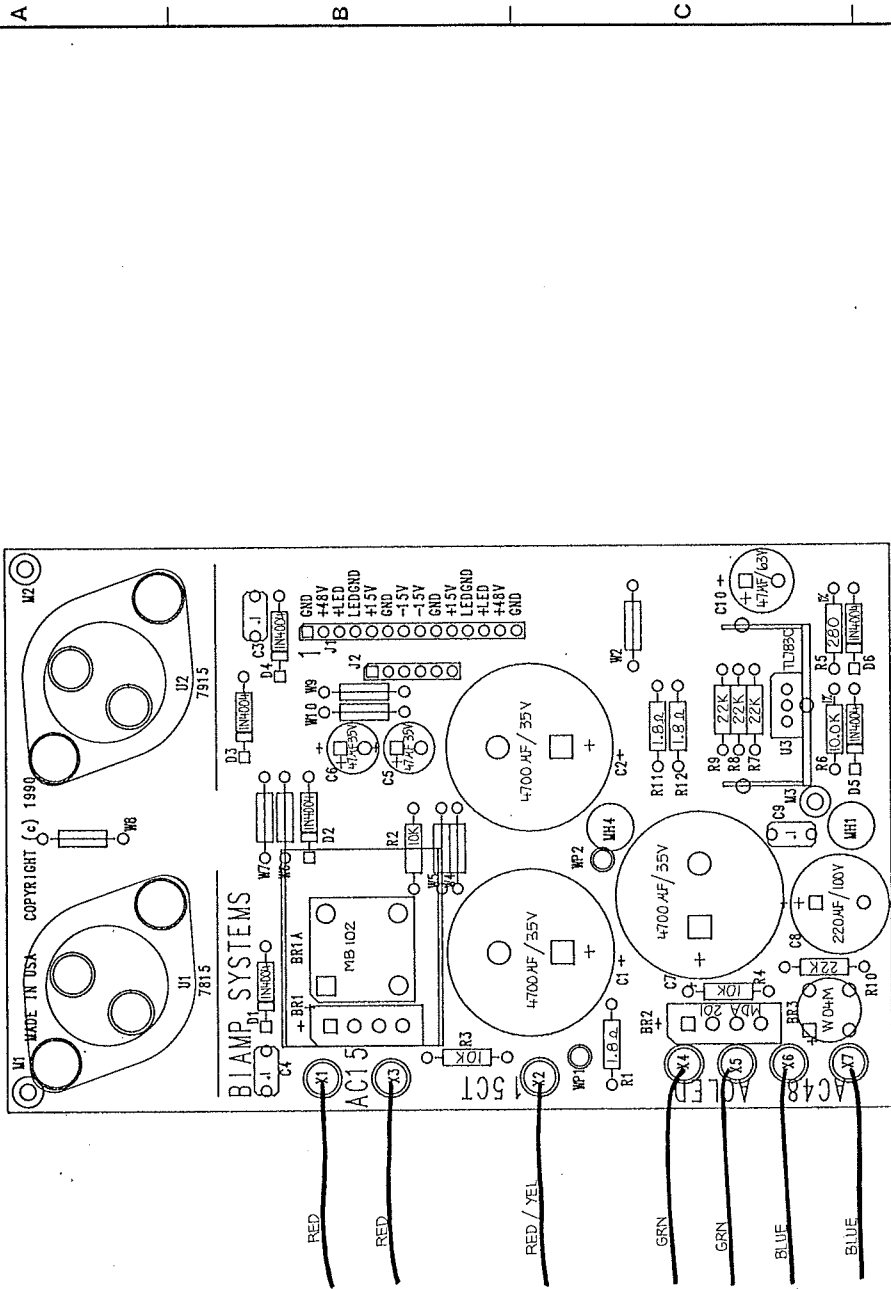
CHANGE

biamp BIAMP SYSTEMS, INC. 4400 YORK AVENUE, SUITE 200 FORT MYERS, FLORIDA 33907		DRAWING NO. 10-1111 CHECKED BY: [] DESIGNED BY: [] DATE: []
PACKMAX ITEX RIGHT OUTPUT SCHEMATIC		PROJECT: [] MATERIAL: [] PARTS LIST: [] APPROVED BY: []
MODEL: [] SHEET NO.: [] QUANTITY: [] DRAWN BY: [] CHECKED BY: [] DATE: []	APPLICATION: [] TEST NO. [] TEST DATE []	PAGE NO. [] OF []

THIS DOCUMENT IS THE PROPERTY OF BIAMP SYSTEMS, INC. AND MAY BE REPRODUCED OR TRANSMITTED IN ANY FORM OR BY ANY MEANS, ELECTRONIC OR MECHANICAL, INCLUDING PHOTOCOPYING, RECORDING, OR BY ANY INFORMATION STORAGE AND RETRIEVAL SYSTEM, WITHOUT PERMISSION IN WRITING FROM BIAMP SYSTEMS, INC.

REV.	EG.O.	CHANGE	DATE	BY
A	031-01	CHG'D R1,R5,R6,R11,R12.	3-14-91	ND

THIS DRAWING IS THE PROPERTY OF BIAMP SYSTEMS, AND MUST BE RETURNED WITHOUT DELAY AT ANY TIME, ON REQUEST, WHILE IN THE POSSESSION OF ANY OTHER PERSON. THE INFORMATION CONTAINED HEREIN IS UNCLASSIFIED EXCEPT WHERE SHOWN OTHERWISE. THE INFORMATION CONTAINED HEREIN IS UNCLASSIFIED EXCEPT WHERE SHOWN OTHERWISE.



BIAMP SYSTEMS
RACKMAX II POWER SUPPLY

NOTES: COMPONENTS SHOWN ARE \varnothing RESISTOR.

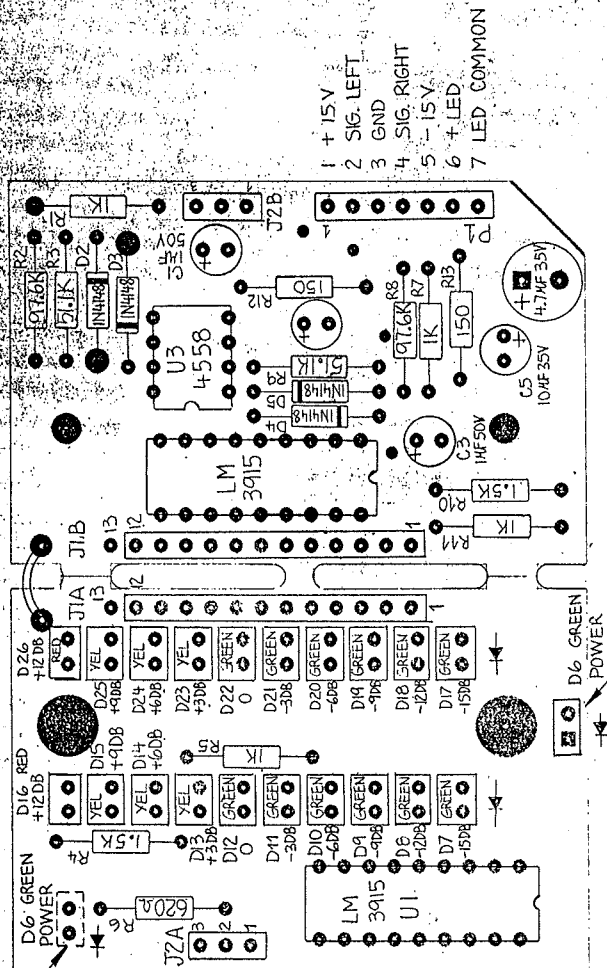
REV.	EG.O.	CHANGE	DATE	BY
A	031-01	CHG'D R1,R5,R6,R11,R12.	3-14-91	ND

ITEM	PART NO.	DESCRIPTION	SIZE	QTY.
380	0240	RESISTOR		1
381	0240	RESISTOR		1
382	0240	RESISTOR		1
383	0240	RESISTOR		1
384	0240	RESISTOR		1
385	0240	RESISTOR		1
386	0240	RESISTOR		1
387	0240	RESISTOR		1
388	0240	RESISTOR		1
389	0240	RESISTOR		1
390	0240	RESISTOR		1
391	0240	RESISTOR		1
392	0240	RESISTOR		1
393	0240	RESISTOR		1
394	0240	RESISTOR		1
395	0240	RESISTOR		1
396	0240	RESISTOR		1
397	0240	RESISTOR		1
398	0240	RESISTOR		1
399	0240	RESISTOR		1
400	0240	RESISTOR		1

DATE	BY	DESCRIPTION
1-30-91		BIAMP SYSTEMS
		RACKMAX II/NEWPORT PWR.
		SUPPLY—COMPONENT LAYOUT
		SCALE 2X
		DO NOT SCALE DRAWING

THE DRAWING IS THE PROPERTY OF BIAMP SYSTEMS, INC. IT IS TO BE USED ONLY FOR THE PROJECT AND FOR THE EMPLOYER WHO OBTAINED IT FROM BIAMP SYSTEMS, INC. IT IS NOT TO BE REPRODUCED OR TRANSMITTED IN ANY FORM OR BY ANY MEANS, ELECTRONIC OR MECHANICAL, INCLUDING PHOTOCOPYING, RECORDING, OR BY ANY INFORMATION STORAGE AND RETRIEVAL SYSTEM. THE EMPLOYER WHO OBTAINED IT FROM BIAMP SYSTEMS, INC. IS TO BE RESPONSIBLE FOR THE PROTECTION AND SECURITY OF THIS DRAWING AND ITS EMPLOYER'S CONFIDENTIALITY. THE EMPLOYER WHO OBTAINED IT FROM BIAMP SYSTEMS, INC. IS TO BE RESPONSIBLE FOR THE PROTECTION AND SECURITY OF THIS DRAWING AND ITS EMPLOYER'S CONFIDENTIALITY.

RACKMAX I ONLY



BIAMP BARGRAPH BOARD

RACKMAX

380-0186-00 REV D

REV.	DATE	CHANGE	BY
D	07-89	380-0186-00 REV. D FILM	1-31-89 ND
E	07-90	MOVE POWER LED	4-10-90 ND
F	03-91	CHG'D R6 FROM 330Ω TO 620Ω	1-24-91 ND
G	04-91	CHG'D R2, R3, R8, R9 FOR +4dBμ REE	3-24-91 ND

ITEM	DESCRIPTION	SIZE	QTY.
1	BIAMP SYSTEMS		
2	COMPONENT LAYOUT		
3	RACKMAX BARGRAPH BOARD		
4	SCALE 2X		
5	DO NOT SCALE DRAWING		
6	SHEET 1 OF 1		

ITEM	DESCRIPTION	SIZE	QTY.
1	UNLESS OTHERWISE SPECIFIED, DIMENSIONS ARE IN INCHES. TOLERANCES ARE: .001" ANGLES MATERIAL PLATESS		
2	XX		
3	XXX		
4	MATERIAL		
5	FINISH		
6	BREAK SHARP EDGES 45° CHAMFER OR RADIUS .010 MAX.		
7	APPLICATION		

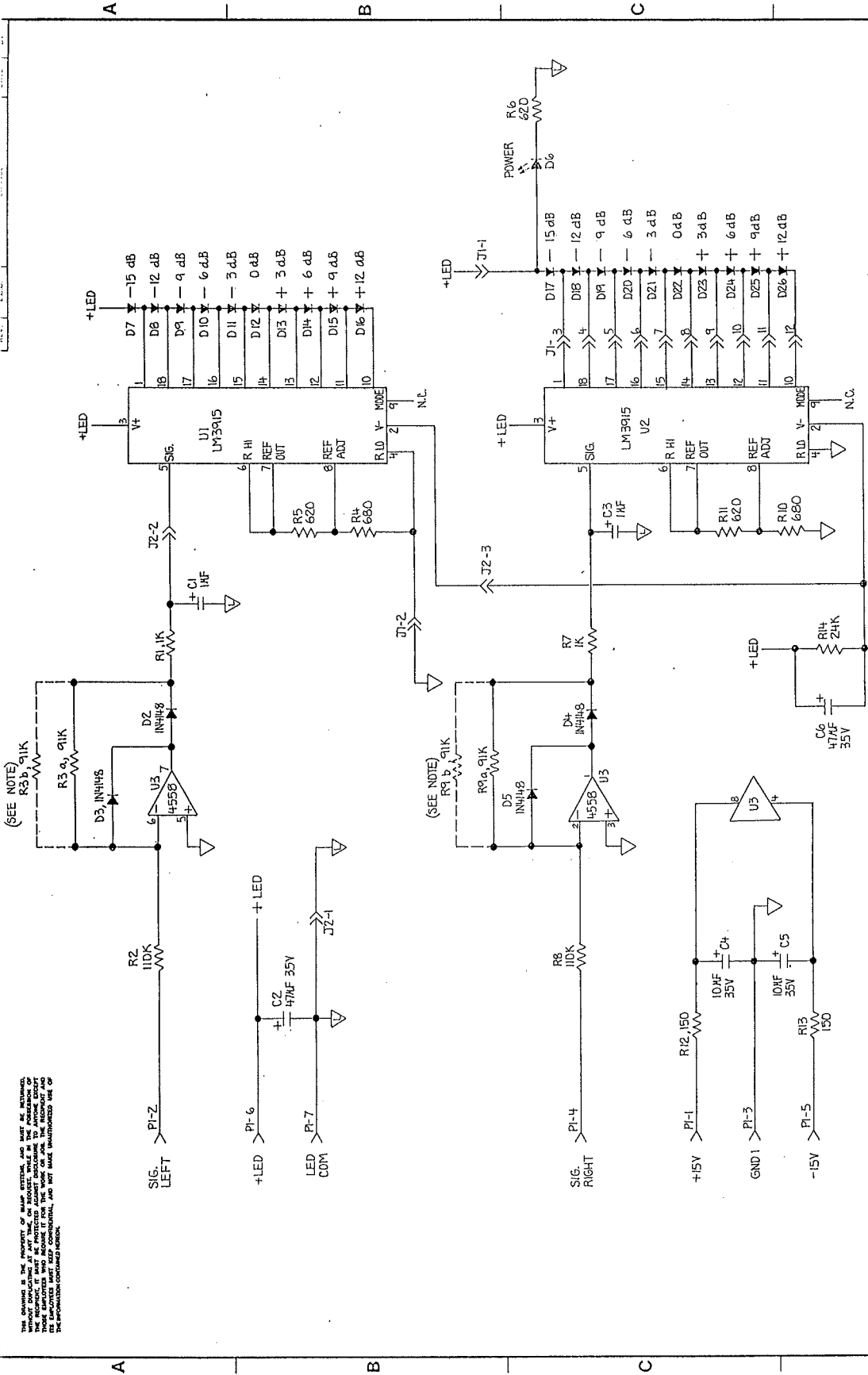
A

B

C

D

THIS DRAWING IS THE PROPERTY OF BIAMP SYSTEMS, INC. AND IS NOT TO BE REPRODUCED OR TRANSMITTED IN ANY FORM OR BY ANY MEANS, ELECTRONIC OR MECHANICAL, INCLUDING PHOTOCOPYING, RECORDING, OR BY ANY INFORMATION STORAGE AND RETRIEVAL SYSTEM. WITHOUT EXPRESS WRITTEN PERMISSION FROM BIAMP SYSTEMS, INC. NO PART OF THIS DRAWING IS TO BE REPRODUCED OR TRANSMITTED IN ANY FORM OR BY ANY MEANS, ELECTRONIC OR MECHANICAL, INCLUDING PHOTOCOPYING, RECORDING, OR BY ANY INFORMATION STORAGE AND RETRIEVAL SYSTEM.



ITEM	DESCRIPTION	SIZE	QTY.
1	LM3915		2
2	4558		2
3	RESISTORS		14
4	CAPACITORS		6
5	LED		12
6	REGULATOR		1
7	DIODE		1
8	CONNECTOR		3
9	TEST POINT		7
10	WIRE		1

biamp BIAMP SYSTEMS DUAL METER PCB SCHEMATIC	
DATE	REV.
DESIGNED BY	ENGINEER
CHECKED BY	DESIGNER
APPROVED BY	APPROVED
MATERIAL	FINISH
SCALE	SCALE NONE
DWG. NO.	DWG. NO. 700-0396-00
SHEET	SHEET 1 OF 1

NOTE: REMOVE R3 b AND R4 b ON SOME MODELS.

