

SPM 522D

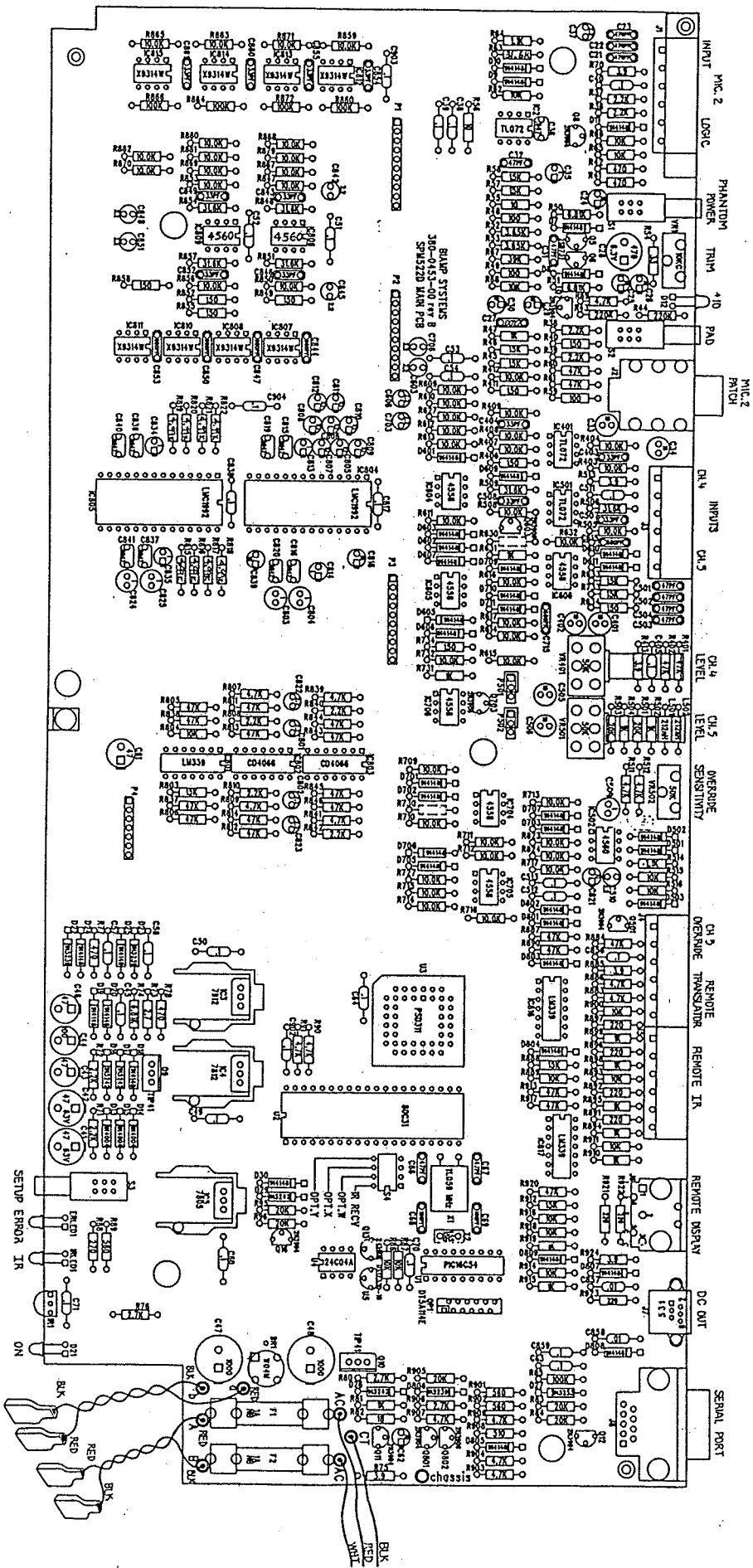
Schematic

B I A M P[®]

S Y S T E M S

10074 SW Arctic Drive Beaverton, OR 97005 503-641-7287

Blampc
 300-0153-00 Rev B
 SPM522D MAIN PCB

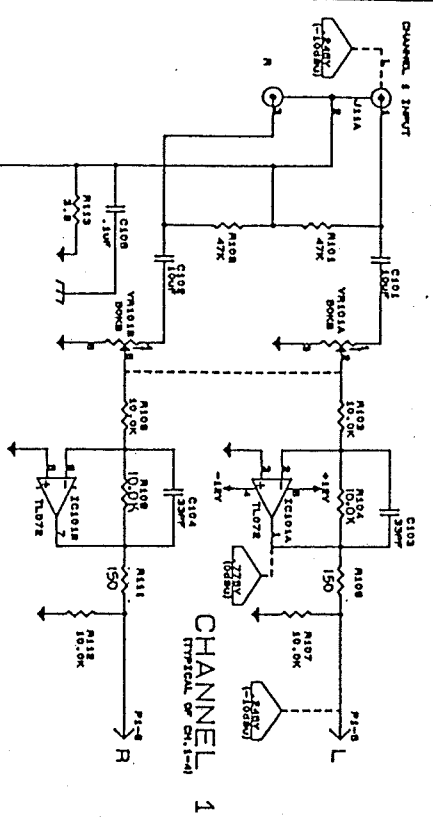


REV.	DATE	DESCRIPTION
A	03-95	CHANGED VALUE R63 (WAS 10K (S) 11K)
B	04-95	CHANGED CH 4 RESISTOR VALUES
C	04-95	ADDED C903 x C904 - POWER Z-DIM
D	05-95	CHANGED VALUE R77 - THROTTLED OSCILLATOR
E	07-95	REMOVED R57 AT -17PULSE - 500K-1
G	09-95	CHANGED 10.506 TO 10.4560

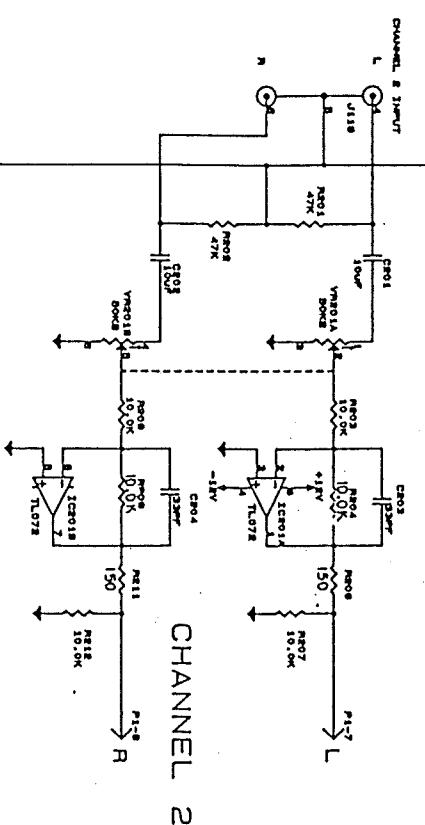
Blampc
 300-0153-00 Rev B
 SPM522D MAIN PCB

COMPONENT LAY
 SPM522D MAIN P1

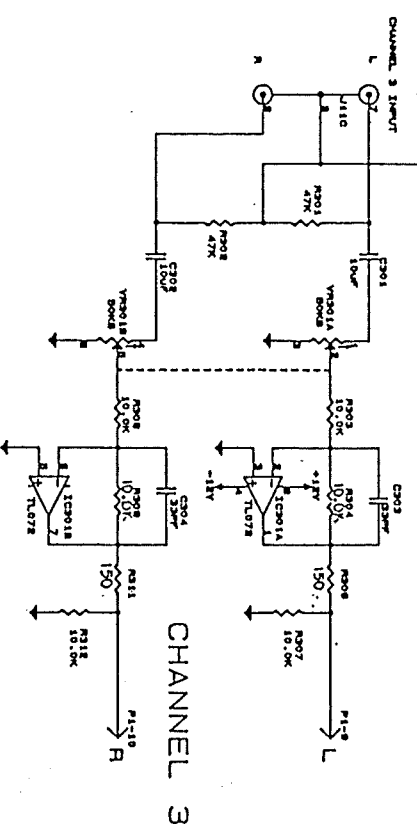
DATE: 01-95
 DRAWN BY: [Name]
 CHECKED BY: [Name]



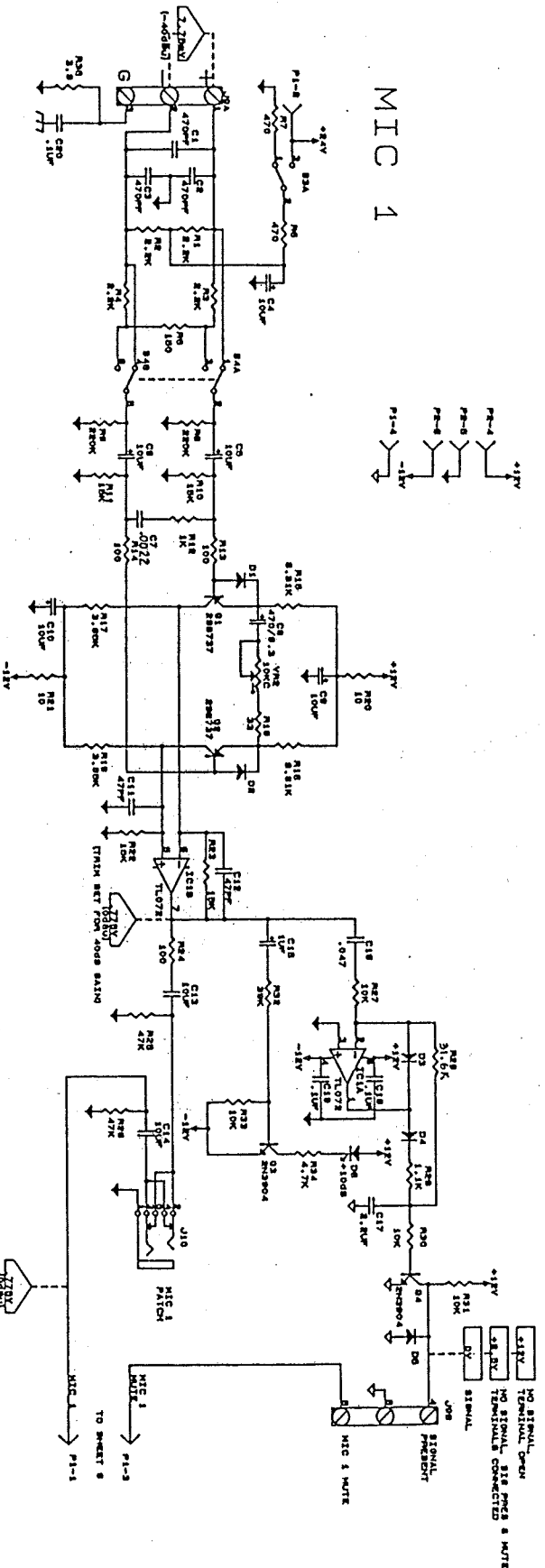
CHANNEL 1



CHANNEL 2



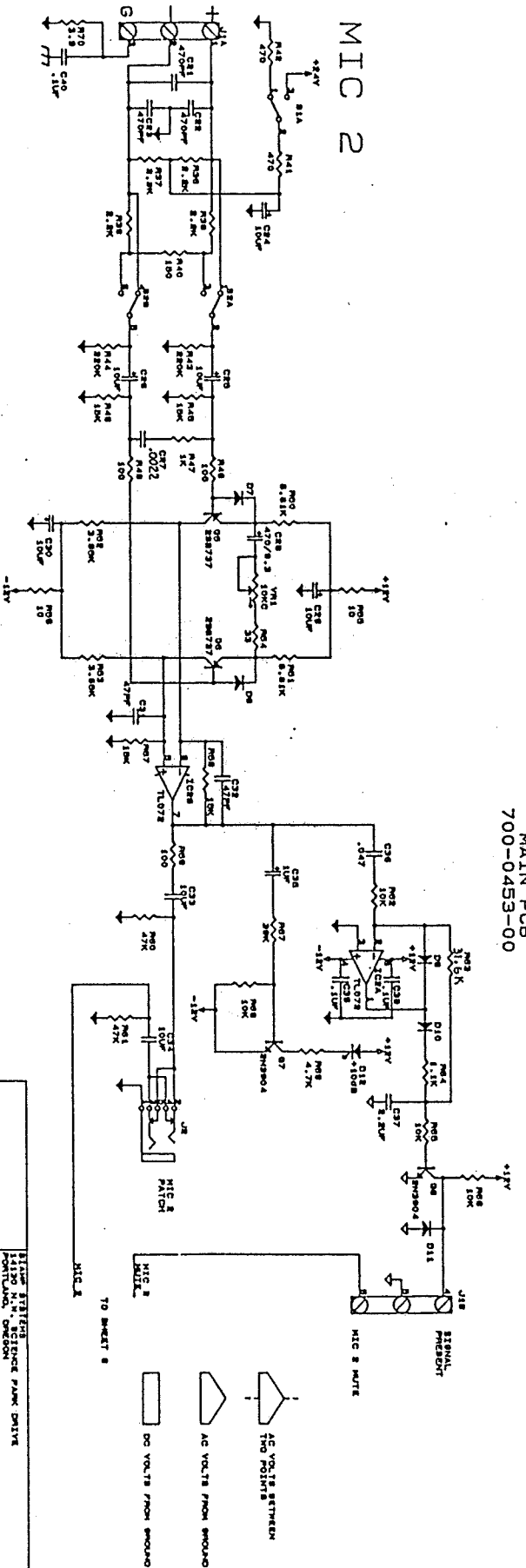
MIC 1



AUX PCB 700-0455-00

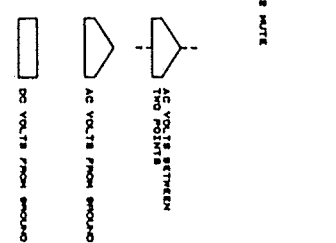
MAIN PCB 700-0453-00

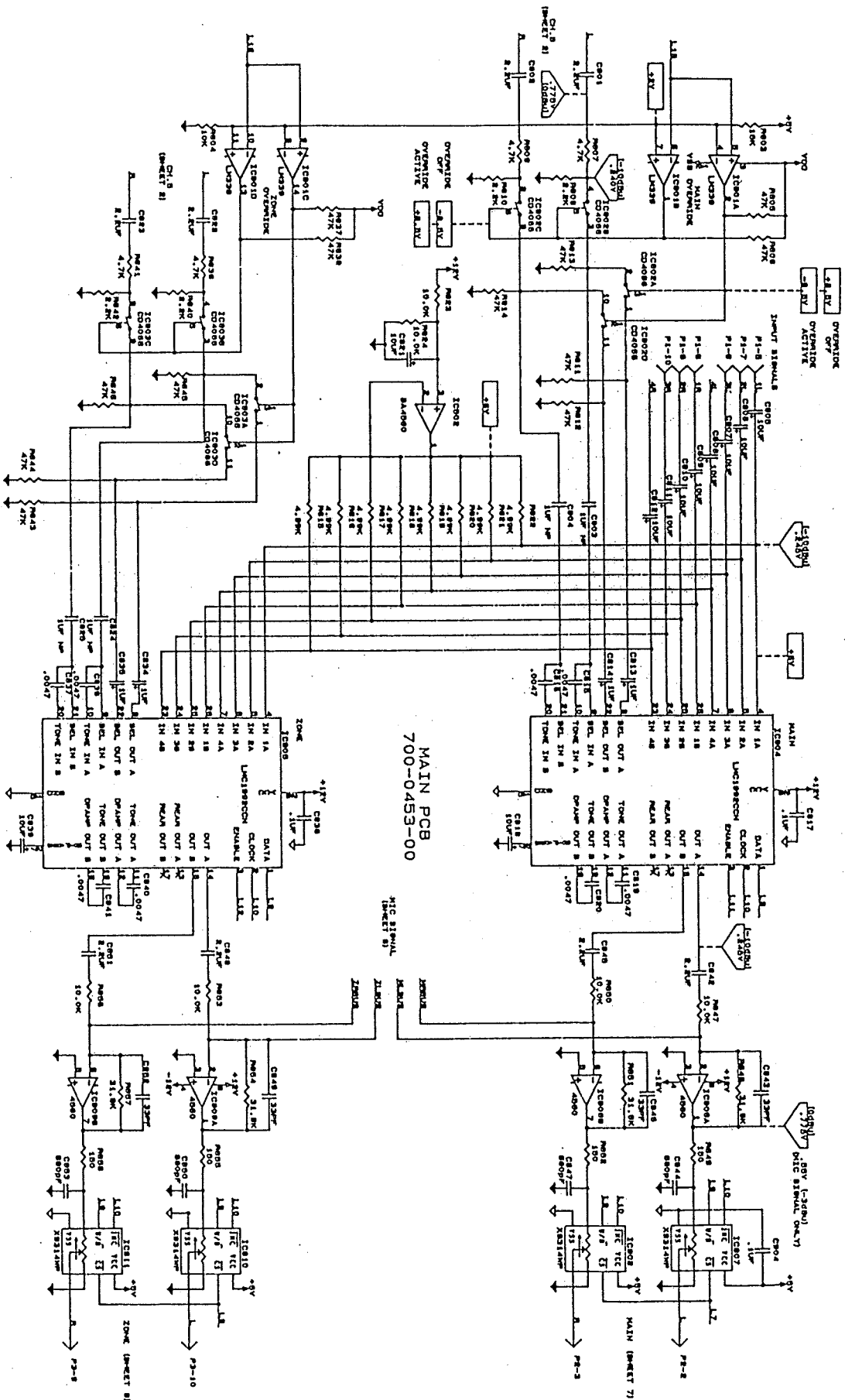
MIC 2



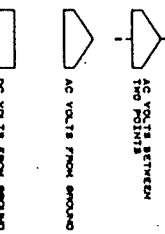
- NOTE:
- 1. ALL RESISTORS IN OHMS UNLESS OTHERWISE NOTED
 - 2. ALL UNLAWDED DISCS ARE INHIBIT
 - 3. VOLTAGE MEASUREMENTS MADE WITH HIGH IMPEDANCE VOLTMETER

SPM5220		MIC INPUTS	
FORM NO	700-0453-00	REV	10
DATE	1980	SHEET	3 OF 3

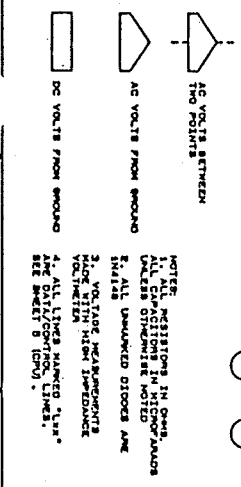
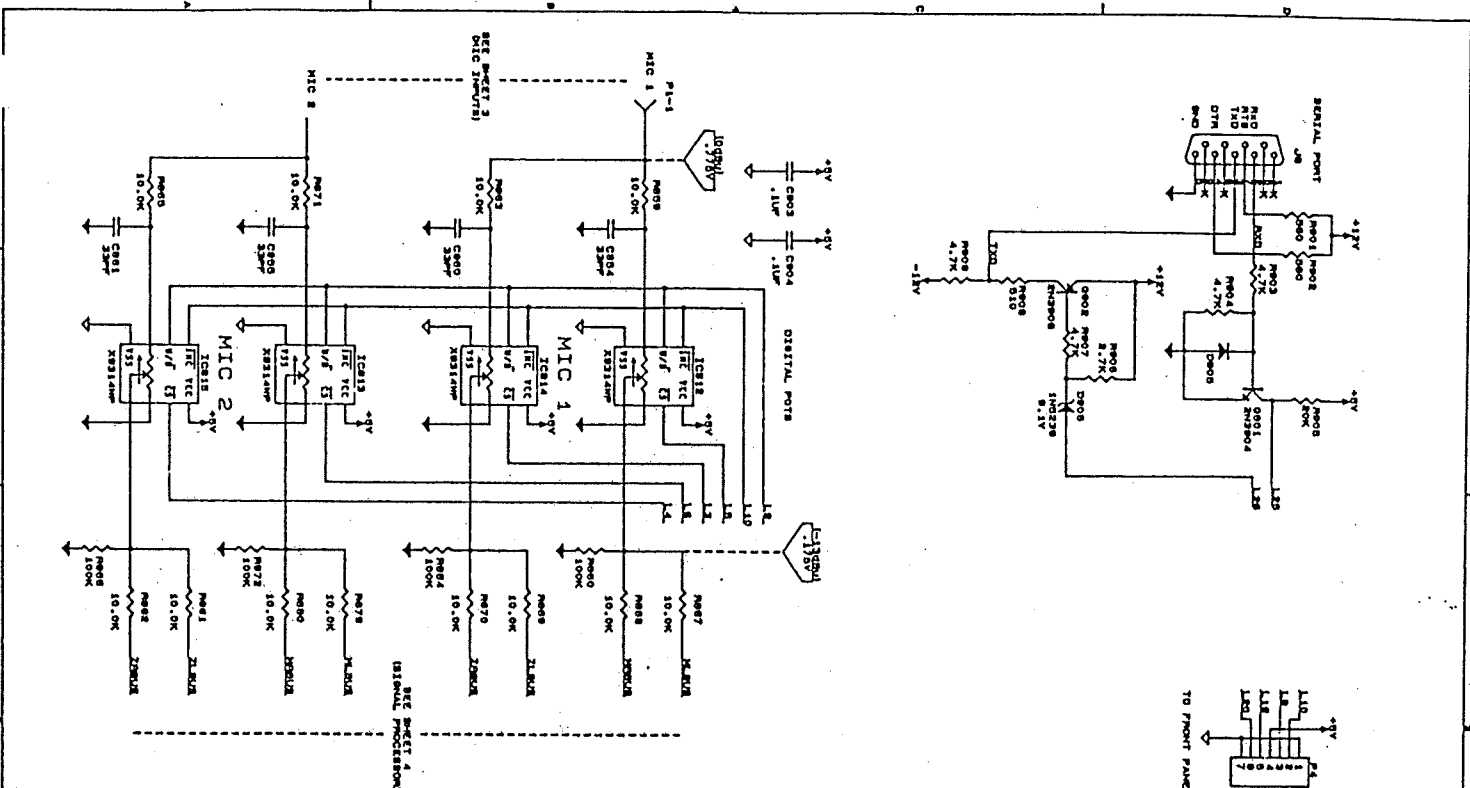




NOTE: RESISTORS IN OHMS
ALL CAPACITORS IN MICROFARADS
UNLESS OTHERWISE NOTED
R: ALL UNMARKED DIODES ARE
1N4148
1: VOLTAGE REGULATOR
2: VOLTAGE REGULATOR
3: VOLTAGE REGULATOR
4: ALL LINES MARKED "L" ARE
DC DATA/CONTROL LINES.
SEE SHEET 9



11100 111111 11110 N.N. SCIENCE PARK DRIVE PORTLAND, OREGON	
SPM522D SIGNAL PROCESSOR	
DATE: 11-19-75 DRAWN BY: C	SIZE: 17.5x22.5 DWG NO: 700-0453-00 REV: E
DESIGNED BY: R. J. B. CHECKED BY: R. J. B.	SCALE: 4:1

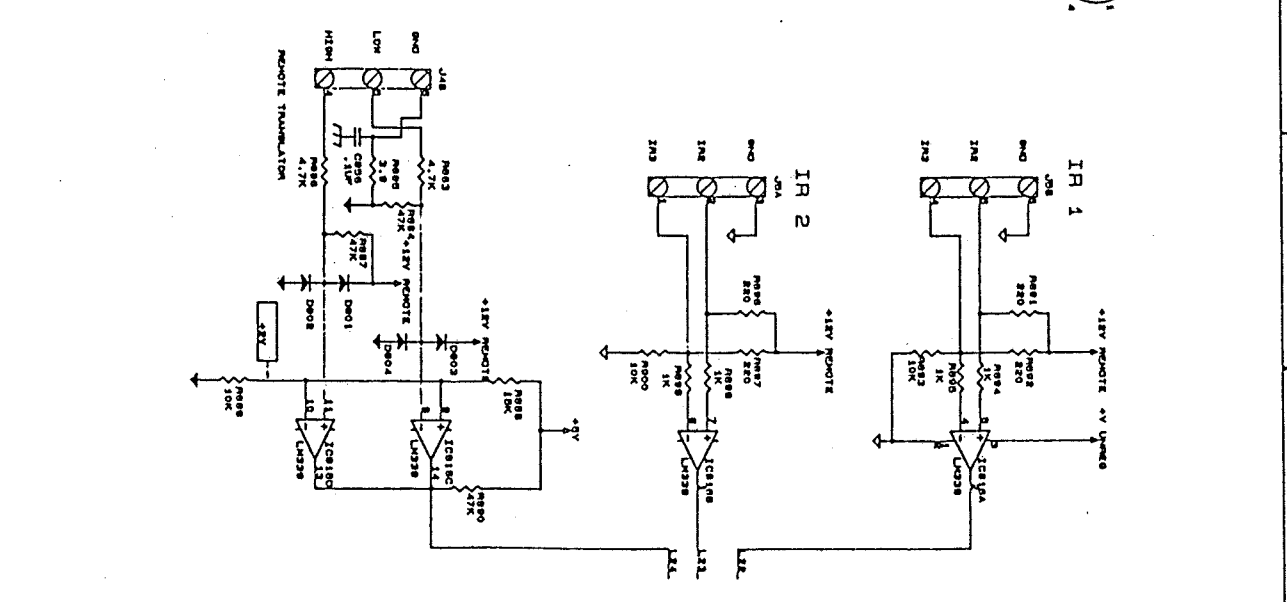


MAIN PCB
 700-0453-00

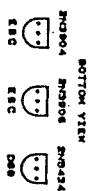
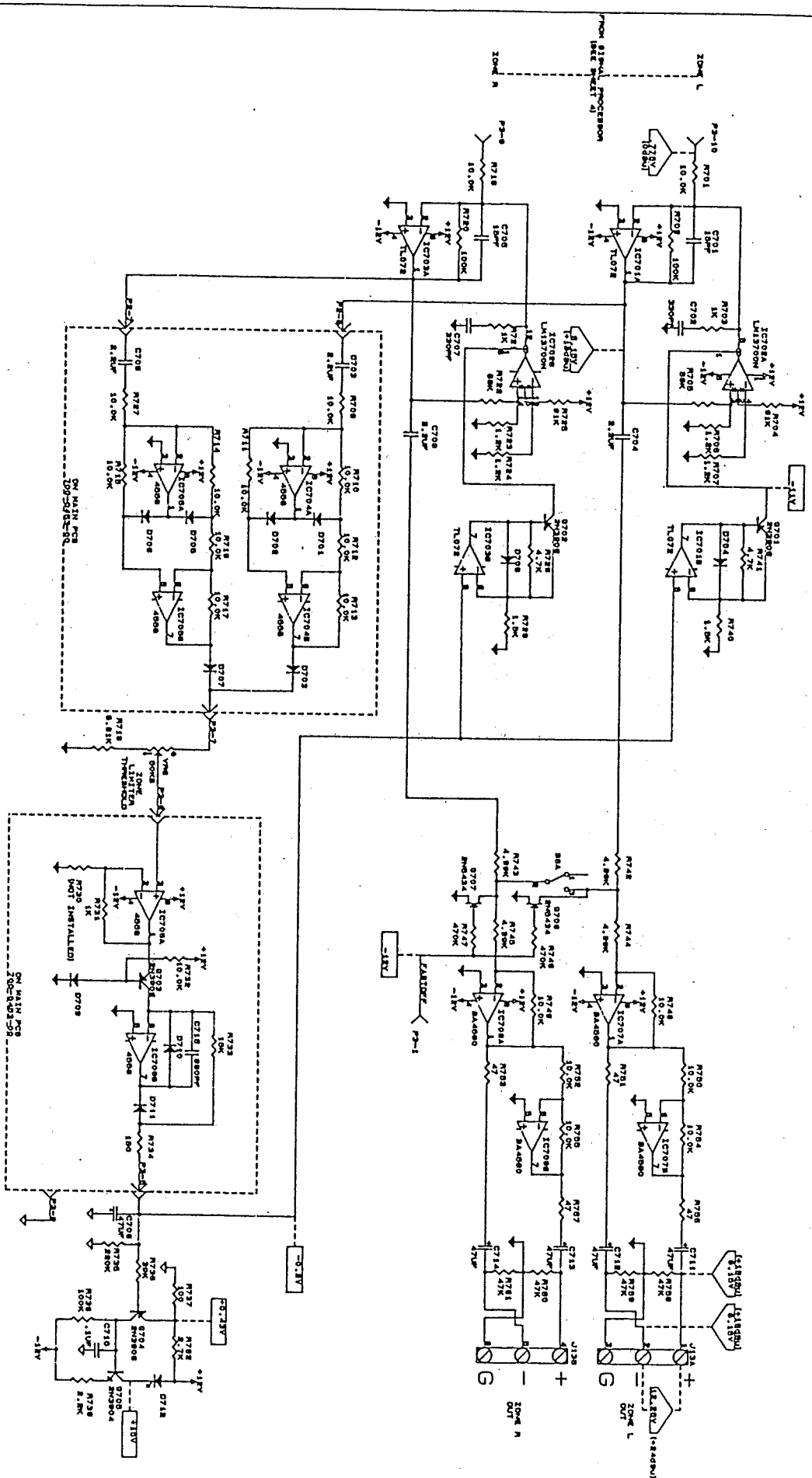


NOTE: RESISTORS IN OHMS, ALL CAPACITORS IN MICROFARADS UNLESS OTHERWISE NOTED
 1. ALL UNMARKED DIODES ARE 1N4148
 2. ALL UNMARKED DIODES ARE 1N4148
 3. ALL UNMARKED DIODES ARE 1N4148
 4. ALL LINES MARKED "LTV" ARE DRIVE/CONTROL LINES.
 REF SHEET 3 (DRIVE)

SIMPLIFIED 14120 N.Y. SCIENCE PARK DRIVE PORTLAND, OREGON	
DATE: 8-11-75 AUGUST 21, 1980	SCALE: D
SHEET NO: 1 OF 1	DRAWING NO: 700-0453-00 REV: D
SPM522D INTERFACE LOGIC, ETC.	



FROM MIC 1
 FROM MIC 2
 FROM MIC 3
 FROM MIC 4
 FROM MIC 5
 FROM MIC 6
 FROM MIC 7
 FROM MIC 8
 FROM MIC 9
 FROM MIC 10
 FROM MIC 11
 FROM MIC 12
 FROM MIC 13
 FROM MIC 14
 FROM MIC 15
 FROM MIC 16
 FROM MIC 17
 FROM MIC 18
 FROM MIC 19
 FROM MIC 20



IC VOLTAGE BETWEEN TWO PINS

AC VOLTS FROM GROUND

DC

- OHM GROUND
- NOTE:
 1. ALL RESISTORS IN OHMS, UNLESS SPECIFIED IN MICROHMS OR KILOHMS.
 2. ALL CAPACITORS IN MICROFARADS, UNLESS SPECIFIED IN FARADS OR PICOFARADS.
 3. UNLESS OTHERWISE NOTED, ALL DIODES ARE 1N4148 UNIDIRECTIONAL DIODES.
 4. ALL LINES NAMED "VARS" ARE 50 OHM COAXIAL CABLES.
 5. ALL LINES NAMED "LINES" ARE 100 OHM COAXIAL CABLES.

SPM522D		ZONE LIMITER AND OUTPUT	
REV	DATE	BY	CHK
1	11/10/88	J. J. B.	J. J. B.
2	05/00	J. J. B.	J. J. B.
3	05/00	J. J. B.	J. J. B.
4	05/00	J. J. B.	J. J. B.
5	05/00	J. J. B.	J. J. B.
6	05/00	J. J. B.	J. J. B.
7	05/00	J. J. B.	J. J. B.
8	05/00	J. J. B.	J. J. B.
9	05/00	J. J. B.	J. J. B.
10	05/00	J. J. B.	J. J. B.
11	05/00	J. J. B.	J. J. B.
12	05/00	J. J. B.	J. J. B.
13	05/00	J. J. B.	J. J. B.
14	05/00	J. J. B.	J. J. B.
15	05/00	J. J. B.	J. J. B.
16	05/00	J. J. B.	J. J. B.
17	05/00	J. J. B.	J. J. B.
18	05/00	J. J. B.	J. J. B.
19	05/00	J. J. B.	J. J. B.
20	05/00	J. J. B.	J. J. B.
21	05/00	J. J. B.	J. J. B.
22	05/00	J. J. B.	J. J. B.
23	05/00	J. J. B.	J. J. B.
24	05/00	J. J. B.	J. J. B.
25	05/00	J. J. B.	J. J. B.
26	05/00	J. J. B.	J. J. B.
27	05/00	J. J. B.	J. J. B.
28	05/00	J. J. B.	J. J. B.
29	05/00	J. J. B.	J. J. B.
30	05/00	J. J. B.	J. J. B.
31	05/00	J. J. B.	J. J. B.
32	05/00	J. J. B.	J. J. B.
33	05/00	J. J. B.	J. J. B.
34	05/00	J. J. B.	J. J. B.
35	05/00	J. J. B.	J. J. B.
36	05/00	J. J. B.	J. J. B.
37	05/00	J. J. B.	J. J. B.
38	05/00	J. J. B.	J. J. B.
39	05/00	J. J. B.	J. J. B.
40	05/00	J. J. B.	J. J. B.
41	05/00	J. J. B.	J. J. B.
42	05/00	J. J. B.	J. J. B.
43	05/00	J. J. B.	J. J. B.
44	05/00	J. J. B.	J. J. B.
45	05/00	J. J. B.	J. J. B.
46	05/00	J. J. B.	J. J. B.
47	05/00	J. J. B.	J. J. B.
48	05/00	J. J. B.	J. J. B.
49	05/00	J. J. B.	J. J. B.
50	05/00	J. J. B.	J. J. B.
51	05/00	J. J. B.	J. J. B.
52	05/00	J. J. B.	J. J. B.
53	05/00	J. J. B.	J. J. B.
54	05/00	J. J. B.	J. J. B.
55	05/00	J. J. B.	J. J. B.
56	05/00	J. J. B.	J. J. B.
57	05/00	J. J. B.	J. J. B.
58	05/00	J. J. B.	J. J. B.
59	05/00	J. J. B.	J. J. B.
60	05/00	J. J. B.	J. J. B.
61	05/00	J. J. B.	J. J. B.
62	05/00	J. J. B.	J. J. B.
63	05/00	J. J. B.	J. J. B.
64	05/00	J. J. B.	J. J. B.
65	05/00	J. J. B.	J. J. B.
66	05/00	J. J. B.	J. J. B.
67	05/00	J. J. B.	J. J. B.
68	05/00	J. J. B.	J. J. B.
69	05/00	J. J. B.	J. J. B.
70	05/00	J. J. B.	J. J. B.
71	05/00	J. J. B.	J. J. B.
72	05/00	J. J. B.	J. J. B.
73	05/00	J. J. B.	J. J. B.
74	05/00	J. J. B.	J. J. B.
75	05/00	J. J. B.	J. J. B.
76	05/00	J. J. B.	J. J. B.
77	05/00	J. J. B.	J. J. B.
78	05/00	J. J. B.	J. J. B.
79	05/00	J. J. B.	J. J. B.
80	05/00	J. J. B.	J. J. B.
81	05/00	J. J. B.	J. J. B.
82	05/00	J. J. B.	J. J. B.
83	05/00	J. J. B.	J. J. B.
84	05/00	J. J. B.	J. J. B.
85	05/00	J. J. B.	J. J. B.
86	05/00	J. J. B.	J. J. B.
87	05/00	J. J. B.	J. J. B.
88	05/00	J. J. B.	J. J. B.
89	05/00	J. J. B.	J. J. B.
90	05/00	J. J. B.	J. J. B.
91	05/00	J. J. B.	J. J. B.
92	05/00	J. J. B.	J. J. B.
93	05/00	J. J. B.	J. J. B.
94	05/00	J. J. B.	J. J. B.
95	05/00	J. J. B.	J. J. B.
96	05/00	J. J. B.	J. J. B.
97	05/00	J. J. B.	J. J. B.
98	05/00	J. J. B.	J. J. B.
99	05/00	J. J. B.	J. J. B.
100	05/00	J. J. B.	J. J. B.

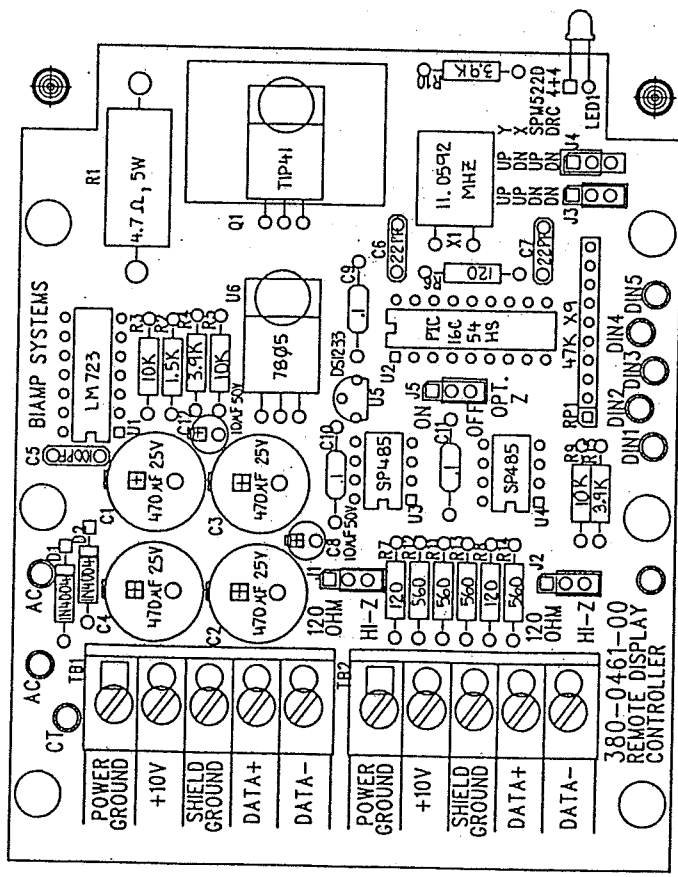
THIS DRAWING IS THE PROPERTY OF BIAMP SYSTEMS, INC. AND IS NOT TO BE REPRODUCED, COPIED, OR TRANSMITTED IN ANY FORM OR BY ANY MEANS, ELECTRONIC OR MECHANICAL, INCLUDING PHOTOCOPYING, RECORDING, OR BY ANY INFORMATION STORAGE AND RETRIEVAL SYSTEM, WITHOUT PERMISSION IN WRITING FROM BIAMP SYSTEMS, INC. THE INFORMATION CONTAINED HEREIN IS UNCLASSIFIED AND IS NOT SUBJECT TO EXPORT CONTROL LAWS.

REV.	E.C.D.	CHANGE
A	149-95	CHG'D VALUE - R1 (WAS) 5.0

3

4

DATE	BY
12-28-95	DS



BIAMP SYSTEMS
 14130 N.W. Science Park Drive
 Portland, Oregon 97229
 (503) 641-7287

380-0461-00
 REMOTE DISPLAY CONTROLLER
 Sheet 1 of 5 : Component I.D. Silkscreen

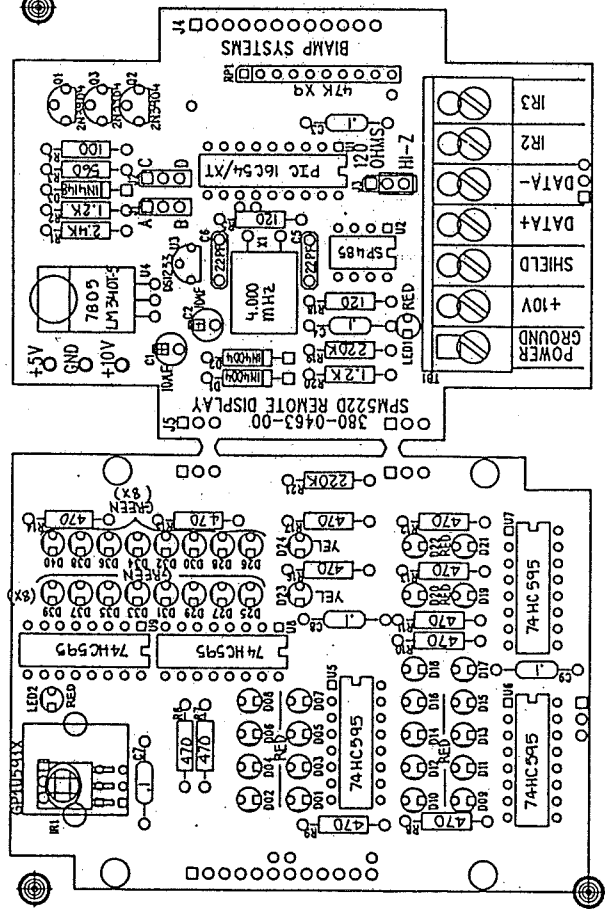
JAN 12 1996

ITEM	PART NO.	DESCRIPTION	SIZE	QTY.
UNLESS OTHERWISE SPECIFIED, DIMENSIONS ARE IN MILLIMETERS. TOLERANCES ARE: DECIMALS FRACTIONS ANGLES PLACES				
XX.1				
XX.2				
MATERIAL				
FINISH				
MAXIMUM ALLOWED WEIGHT				
MAXIMUM PERMITTED LENGTH				
SCALE				
DO NOT SCALE DRAWING				
BIAMP SYSTEMS				
REMOTE DISPLAY CONTROLLER				
COMPONENT LAYOUT				
SIZE				
DWG. NO.	701-0461-00			
REV.	A			

REV.	EC'D.	CHANGE	DATE	BY
A	NONE	PILOT RELEASE	4-17-95	808

4
3
2
1

THIS DRAWING IS THE PROPERTY OF BIAMP SYSTEMS, INC. AND IS TO BE USED ONLY FOR THE MANUFACTURE OF THE REMOTE DISPLAY PCB. IT IS TO BE KEPT IN THE COMPANY'S FILES AND IS NOT TO BE REPRODUCED OR DISTRIBUTED OUTSIDE THE COMPANY. ANY REPRODUCTION OR DISTRIBUTION OF THIS DRAWING WITHOUT THE WRITTEN PERMISSION OF BIAMP SYSTEMS, INC. IS STRICTLY PROHIBITED.



BIAMP SYSTEMS
14130 N.W. Science Park Drive
Portland, Oregon 97229
(503) 641-7287

JAN 12 1996
380-0463-00
SPM522D REMOTE DISPLAY PCB
Sheet 1 of 5 : Component I.D. Silkscreen

ITEM	DESCRIPTION	SIZE	QTY.
1	BIAMP SYSTEMS		
2	COMPONENT LAYOUT		
3	SPM522 REMOTE DISPLAY PCB		
4	REV. 701 - 0463-00		
5	SCALE 2:1		
6	DO NOT SCALE DRAWING		
7	SHEET 1 OF 1		

THIS DRAWING IS THE PROPERTY OF BIAMP SYSTEMS, AND MUST BE RETURNED TO BIAMP SYSTEMS, 14130 N.W. SCIENCE PARK DRIVE, PORTLAND, OREGON 97229. IF THIS DRAWING IS REPRODUCED OR TRANSMITTED IN ANY FORM OR BY ANY MEANS, WITHOUT THE WRITTEN PERMISSION OF BIAMP SYSTEMS, THE REPRODUCER OR TRANSMITTER WILL BE HELD LIABLE FOR ALL DAMAGES AND COSTS INCURRED BY BIAMP SYSTEMS. THE INFORMATION CONTAINED HEREON IS UNCLASSIFIED.

REV.	E.C.D.	CHANGE	DATE	BY
B	053-95	CHG RPI FROM 100KX1	14-25-95	BLD

4

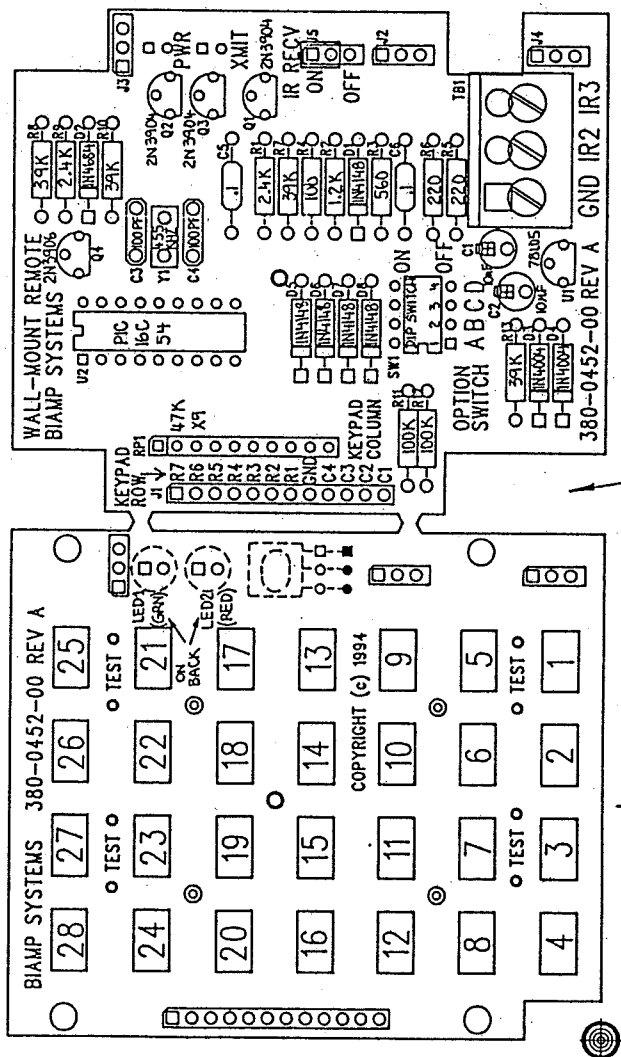
3

2

1

BIAMP SYSTEMS
 14130 N.W. Science Park Drive
 Portland, Oregon 97229
 380-0452-00 REV A
 WALL-MOUNT REMOTE
 Sheet 1 of 7 : Component I.D. Silkscreen

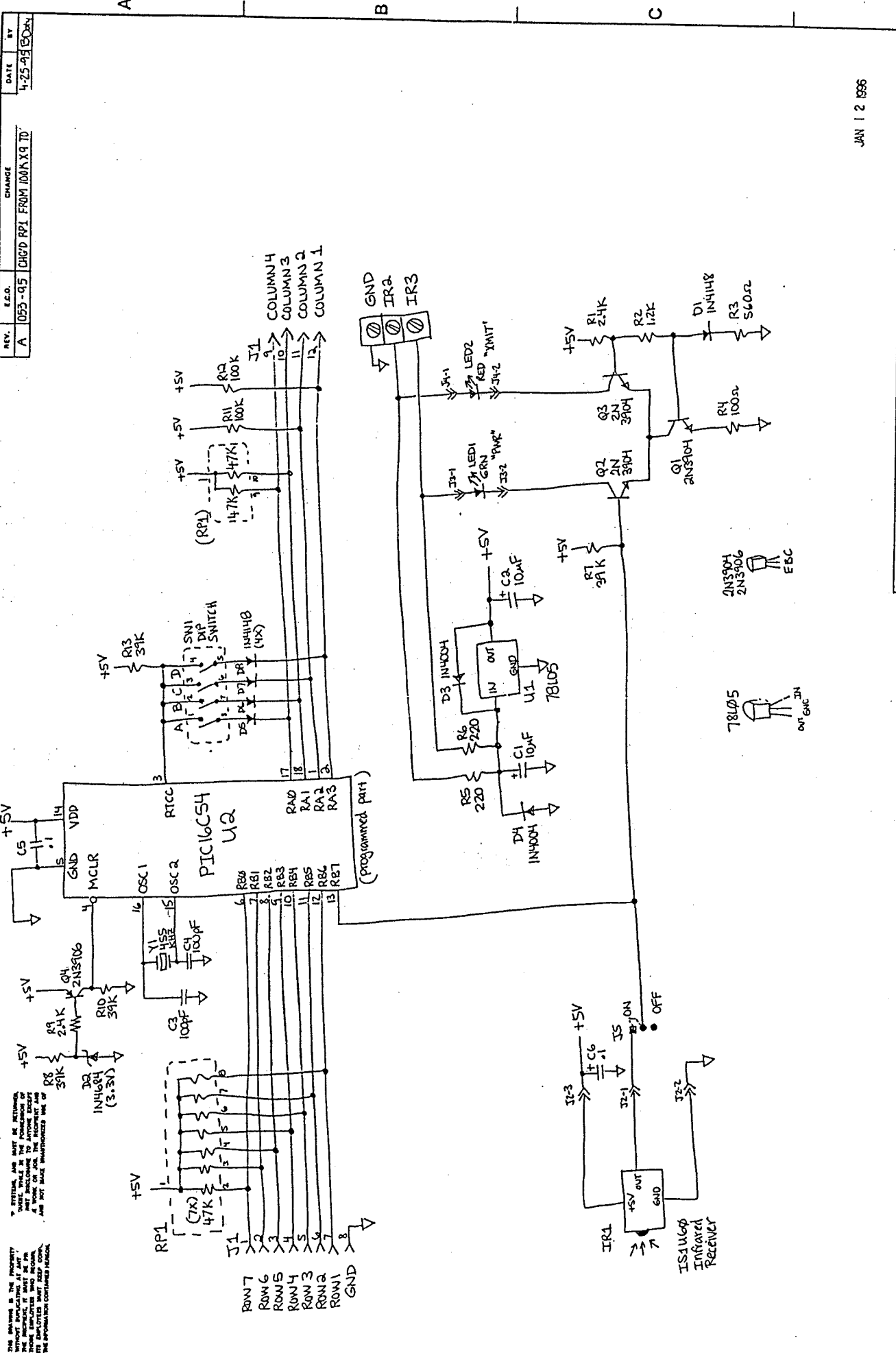
JAN 12 1996



BREAK APART BEFORE ASSEMBLY.

CONDUCTIVE RUBBER KEYPAD ON BACK.

ITEM	PART NO.	DESCRIPTION	SIZE	QTY.
DRYER	728-34	BIAMP SYSTEMS		
CHEEK		COMPONENT LAYOUT		
ENGINEER		WALL-MOUNT REMOTE CONTROL		
DESIGN		SCALE 2/1		
APPROVED		DO NOT SCALE DRAWING		
MATERIAL				
FINISH				
DRG. NO.	701-0452-00	REV	B	
SHEET				1 OF 1



THIS DRAWING IS THE PROPERTY OF BIAMP SYSTEMS, INC. AND IS NOT TO BE REPRODUCED OR TRANSMITTED IN ANY FORM OR BY ANY MEANS, ELECTRONIC OR MECHANICAL, INCLUDING PHOTOCOPYING, RECORDING, OR BY ANY INFORMATION STORAGE AND RETRIEVAL SYSTEM. THE INFORMATION CONTAINED HEREIN IS UNCLASSIFIED.

A

B

C

D

JAN 12 1996

REV.	E.C.O.	CHANGE	DATE	BY
A	055-95	CHG'D RPL FROM 100K TO 10K	4-25-95	BOB

ITEM	DESCRIPTION	SIZE	QTY.
1	UNLESS OTHERWISE SPECIFIED, DIMENSIONS ARE IN INCHES, TOLERANCES ARE DECIMALS, FRACTIONS, ANGLES, FINISHES		
2	APPROVED		
3	DATE	SIZE	QTY.
4	DATE	SIZE	QTY.
5	DATE	SIZE	QTY.
6	DATE	SIZE	QTY.
7	DATE	SIZE	QTY.
8	DATE	SIZE	QTY.
9	DATE	SIZE	QTY.
10	DATE	SIZE	QTY.
11	DATE	SIZE	QTY.
12	DATE	SIZE	QTY.
13	DATE	SIZE	QTY.
14	DATE	SIZE	QTY.
15	DATE	SIZE	QTY.
16	DATE	SIZE	QTY.
17	DATE	SIZE	QTY.
18	DATE	SIZE	QTY.
19	DATE	SIZE	QTY.
20	DATE	SIZE	QTY.
21	DATE	SIZE	QTY.
22	DATE	SIZE	QTY.
23	DATE	SIZE	QTY.
24	DATE	SIZE	QTY.
25	DATE	SIZE	QTY.
26	DATE	SIZE	QTY.
27	DATE	SIZE	QTY.
28	DATE	SIZE	QTY.
29	DATE	SIZE	QTY.
30	DATE	SIZE	QTY.
31	DATE	SIZE	QTY.
32	DATE	SIZE	QTY.
33	DATE	SIZE	QTY.
34	DATE	SIZE	QTY.
35	DATE	SIZE	QTY.
36	DATE	SIZE	QTY.
37	DATE	SIZE	QTY.
38	DATE	SIZE	QTY.
39	DATE	SIZE	QTY.
40	DATE	SIZE	QTY.
41	DATE	SIZE	QTY.
42	DATE	SIZE	QTY.
43	DATE	SIZE	QTY.
44	DATE	SIZE	QTY.
45	DATE	SIZE	QTY.
46	DATE	SIZE	QTY.
47	DATE	SIZE	QTY.
48	DATE	SIZE	QTY.
49	DATE	SIZE	QTY.
50	DATE	SIZE	QTY.

BIAMP SYSTEMS
 SCHEMATIC
 WALL-MOUNT REMOTE CONTROL
 Dwg. No. 700-0452-00
 SCALE
 DO NOT SCALE DRAWING
 SHEET 1 OF 1