

**TC/225**  
**Schematic**

**B I A M P**<sup>®</sup>  
S Y S T E M S

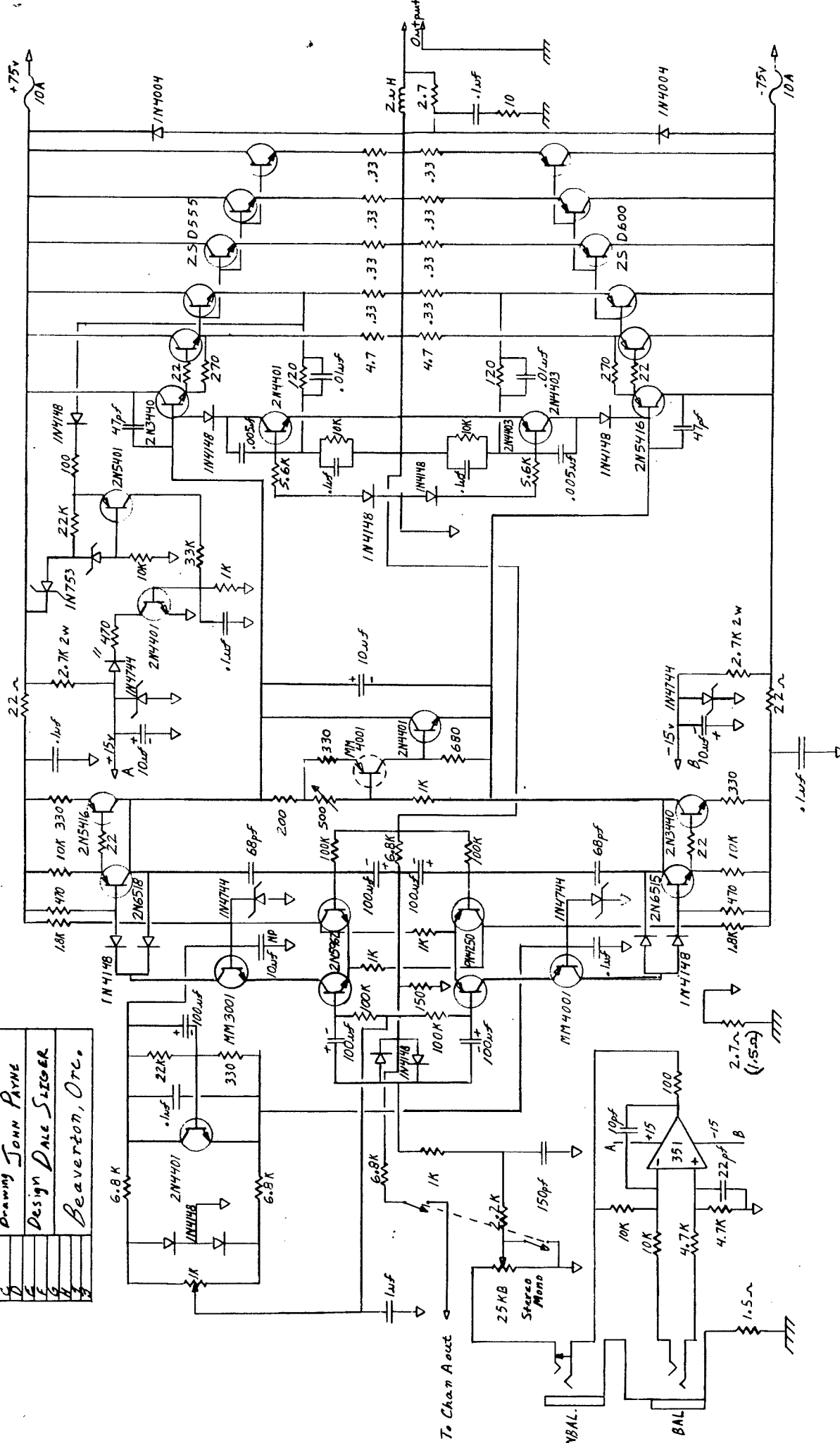
## T/C 225 DISSASSEMBLY PROCEDURE

1. Remove the top cover panel.
2. Cut all Ty-Wraps on the power supply wiring harness. Note the placement of these wires because they should be re-wrapped after the unit is serviced. This has a large effect on the distortion of the amplifier.
3. Stand the unit on its right end panel (power switch down).
4. Remove the bottom panel screws and move the bottom panel so the speaker jack wires are accessable.
5. Remove the wires from the red speaker terminals. Use a clip lead to connect during testing.
6. Remove the four screws through the back panel and fan frame.
7. Replace the bottom panel so that the rear lip is OUTSIDE of the chassis wrap. Pay close attention to the spacing between the fuse holder and the filter capacitors.
8. Set the unit on its bottom panel.
9. Remove the middle and top bolts on each side of the front panel. Loosen the bottom bolt on each side.
10. CAREFULLY roll the top of the front panel forward. Watch for and move wires as they hang up on the fan frame and the channel B circuit board.
11. Tighten the bottom front panel bolts when the heatsink is about vertical. The unit is ready for service.

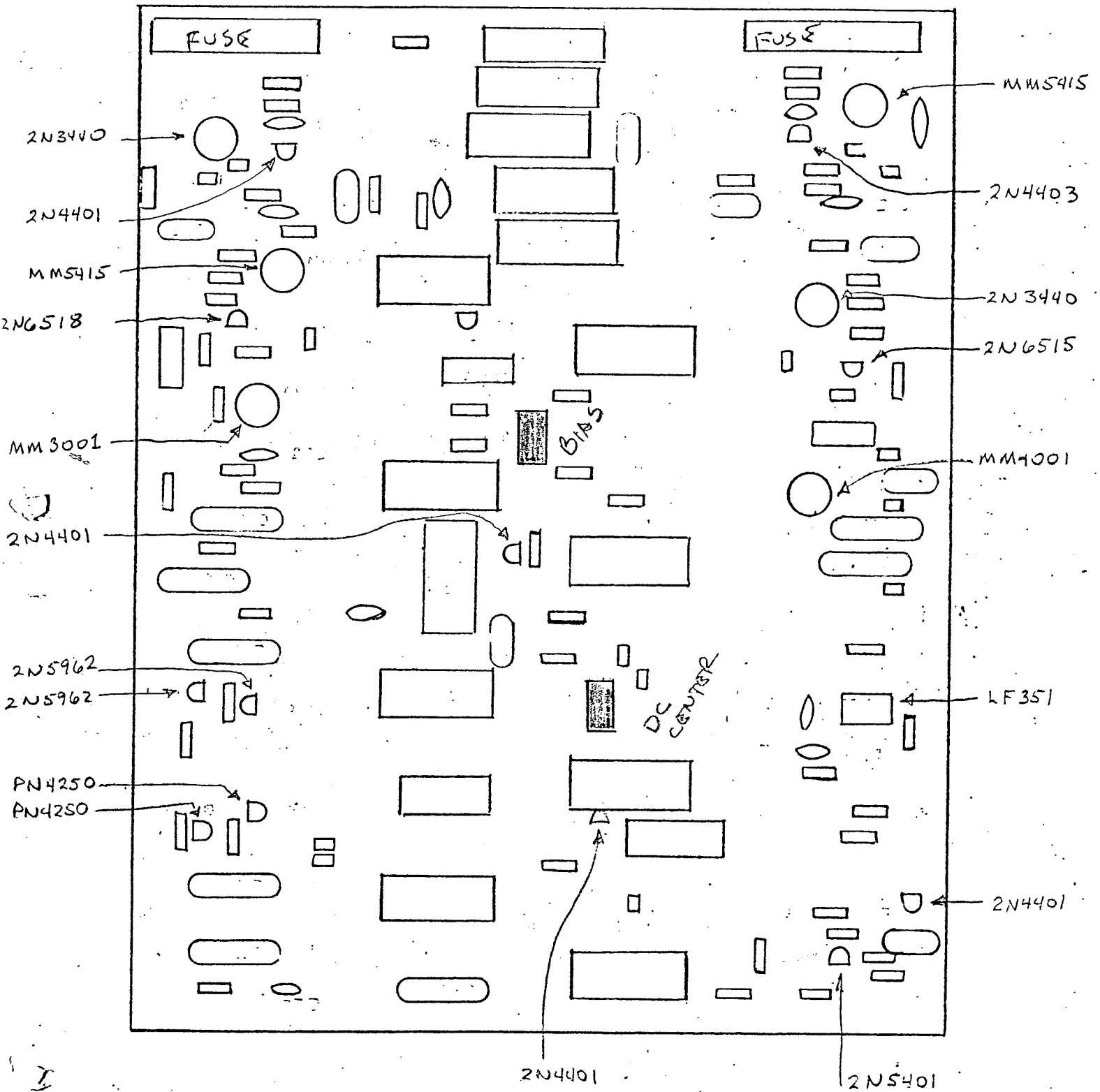
During reassembly watch the audio cables between channel B and the filter capacitors. These cables can catch parts and tear them from the circuit board.

REV  
 A 10/15/78  
 B  
 C  
 D  
 E  
 F  
 G  
 H

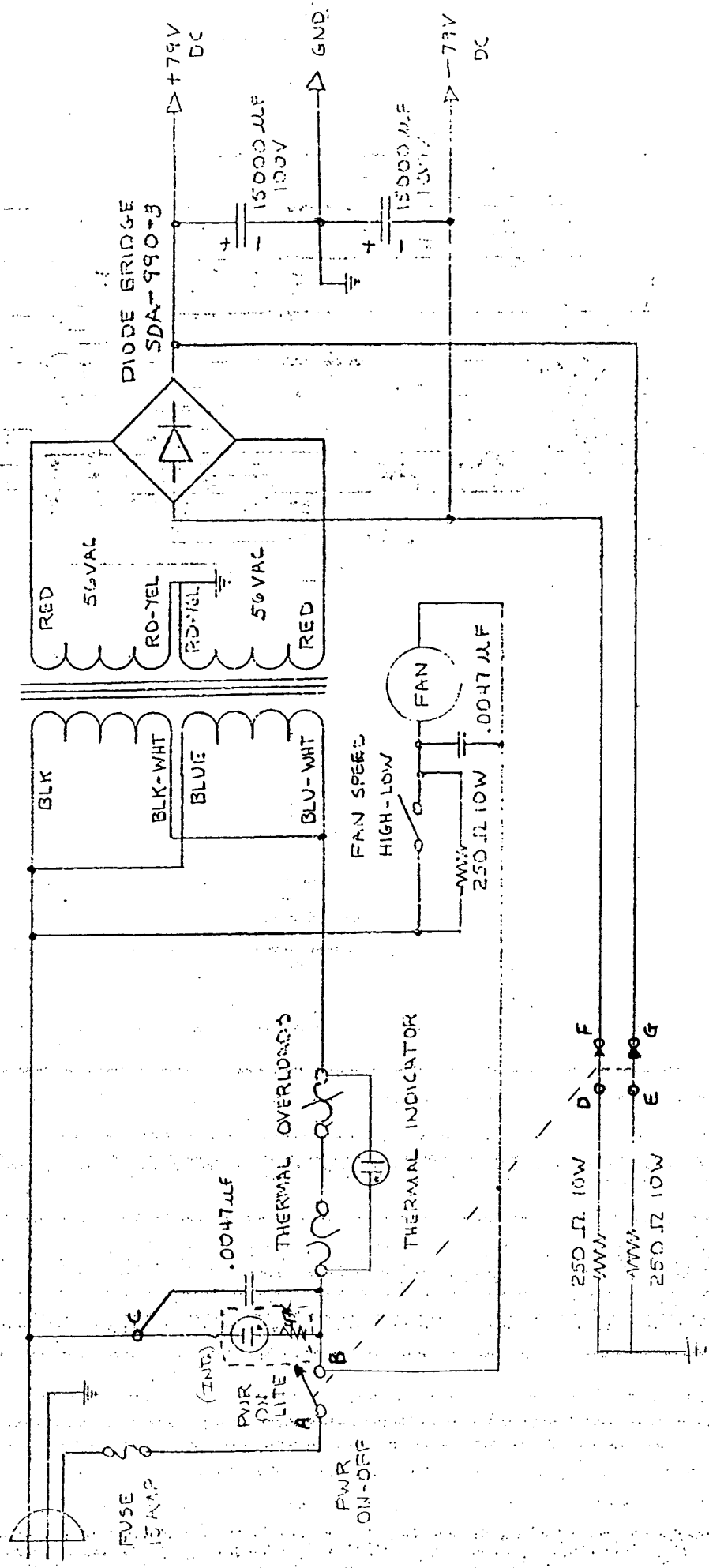
*Biamp TC225*  
*Drawing JOHN PAYNE*  
*Design DALE SLEGER*  
*Beaverton, OR.*



27



TC 225 AMPLIFIER  
 SEMICONDUCTOR LAYOUT  
 S-21-80 JD



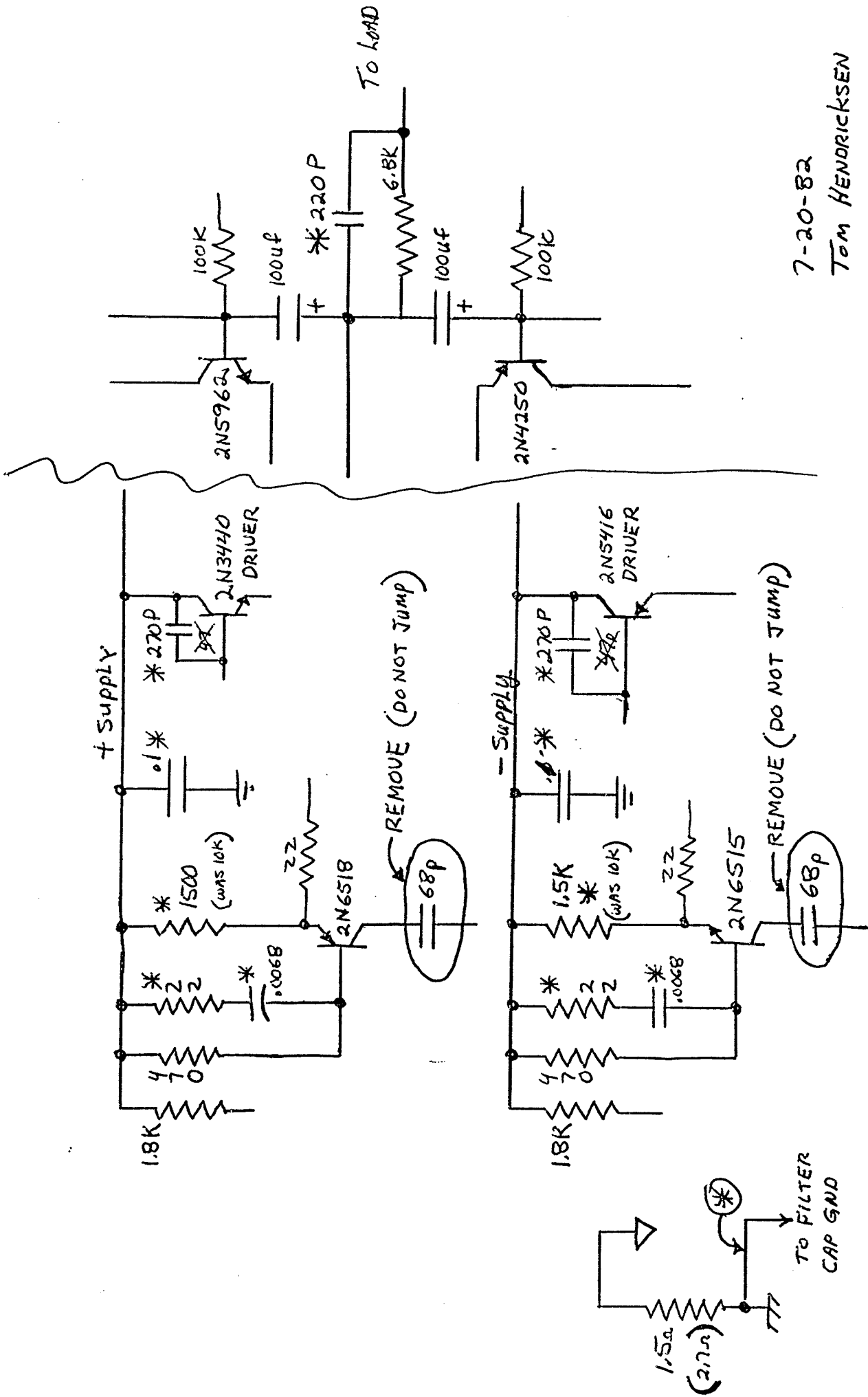
TC 225 AMPLIFIER  
POWER

Revised 14 June 89  
(WD)



T C / 225 PARTIAL SHOWING MODIFICATION TO PREVENT OSCILLATION  
 BIAS 1.5 - 2 MV  
 OFFSET 10 MV MAX

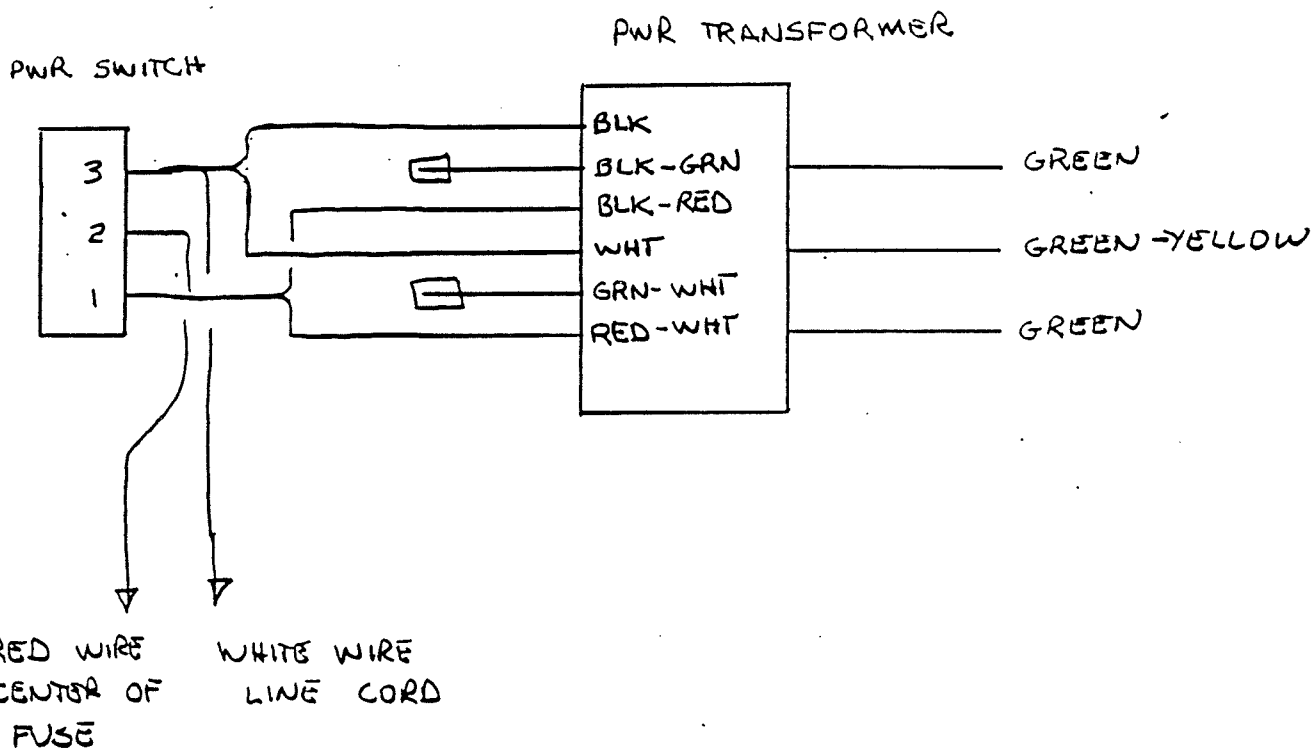
\* INDICATES PARTS ADDED OR CHANGED.



7-20-82  
 Tom Hendricksen

# UNIVERSAL PWR TRANSFORMER

BIAMP PART # 283-0007



THIS PWR TRANSFORMER

IS USED ON EQ 110 - EQ 210 -

M2V - SM23

FOR 110VAC

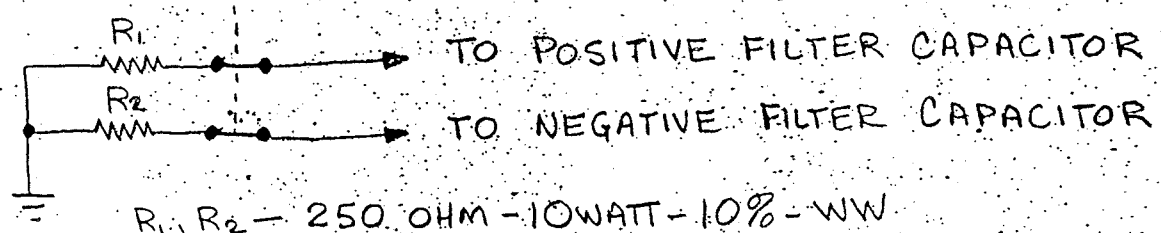
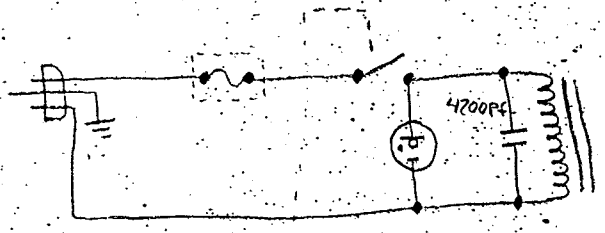
J DUNCAN  
7-14-80



ECR NO. <u>078</u> REQUESTOR <u>STEVE R.</u> DATE <u>3-28-79</u>	ENGINEERING NOTICE ECO NO. <u>069</u> REV LETTER _____	LECO NO. _____ ENG. _____ DATE _____
DWG NO. _____ USED ON _____	CURRENT REV. _____ NEXT ASSY _____	TITLE <u>TC-225</u> EFFECTIVITY <u>3-28-79</u>

DESCRIPTION OF CHANGE

\* NOTE - THIS ECR SUPERSEDES ECO-040. (SHEET 3 OF 3)  
NEW POWER SWITCH FOR TC-225 WITH RESISTORS TO BLEED POWER SUPPLY AFTER SHUT-OFF.



$R_1, R_2 - 250 \text{ OHM} - 10\text{WATT} - 10\% - \text{WW}$

\* SEE SHEET 2 OF 2 - BILL OF MATERIALS FOR NEW PARTS / PART NUMBERS

REASON FOR CHANGE

ELIMINATES TURN-ON THUMP

APPROVALS:

SHEET 1 OF 3

ENG. <i>[Signature]</i>	QC 4-2-79 JOHN PAYNE	MFG. 3/28 <i>[Signature]</i>	OP. MGR 4/4/79 <i>[Signature]</i>	MARKETING 4/2/79 Jim Loggnow
----------------------------	----------------------------	------------------------------------	---	------------------------------------

H<sup>2</sup> 3-28-79

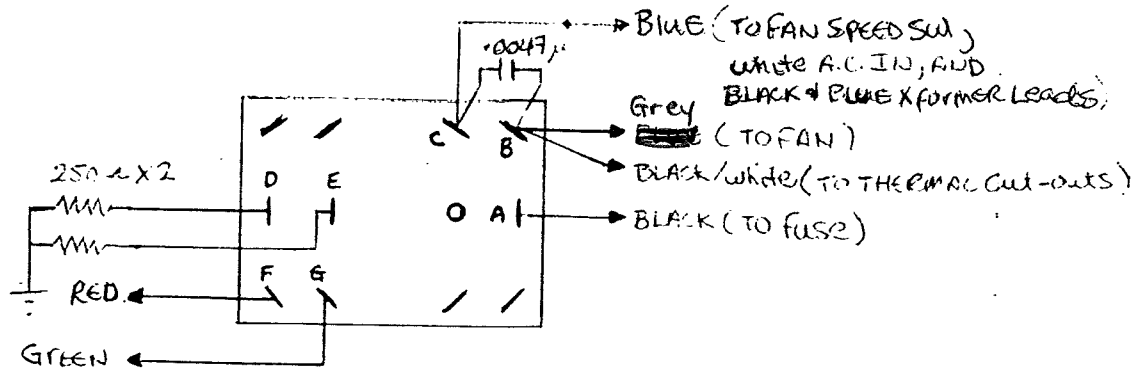
# TC225 Power Switch

14 JUL 89

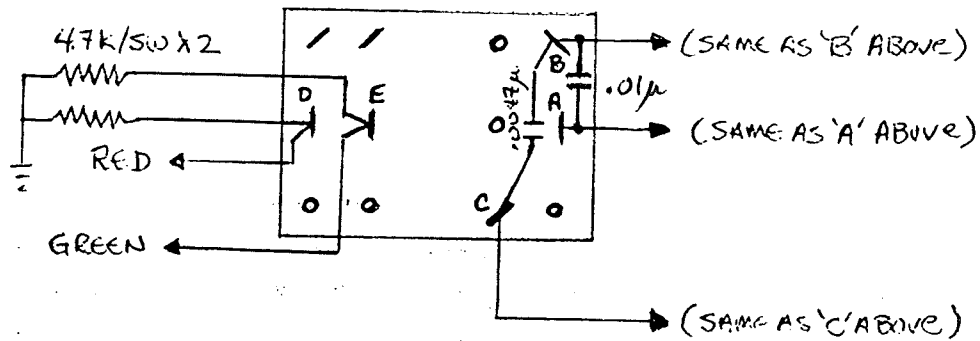
WFE

PART # 310.0012.00 (OBS)

## ORIGINAL Switch



## REPLACEMENT Switch



LETTERS USED CAN BE FOUND ON SCHEMATIC.

### Parts Needed

- 1ea. Switch 310.0012.00
- 2ea. 4.7k SW res. 135.0008.30
- 1ea. .0047µf 1KV cap 230.0013.00
- 1ea. .01µf 1KV Cap 230.0024.00