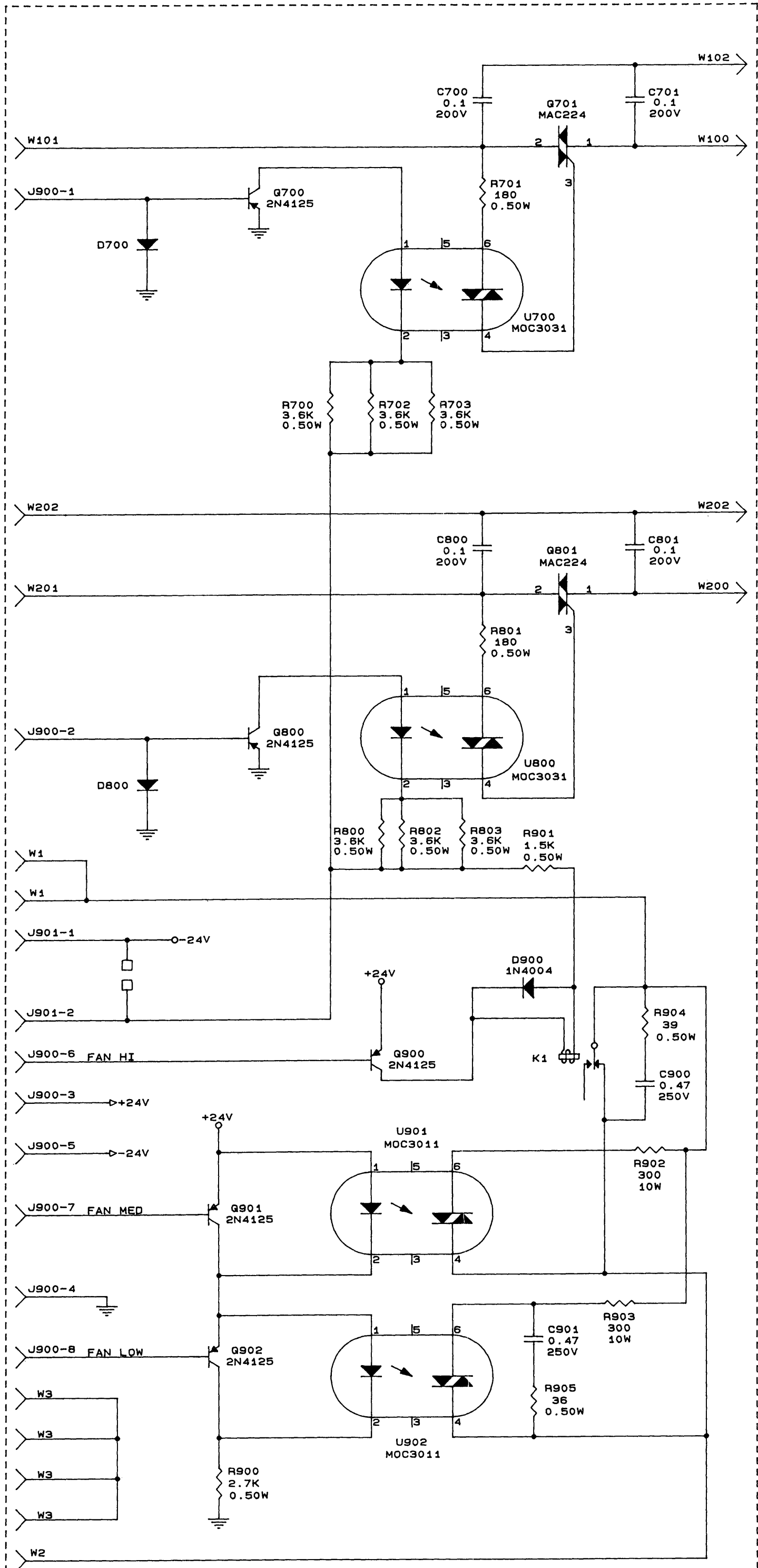
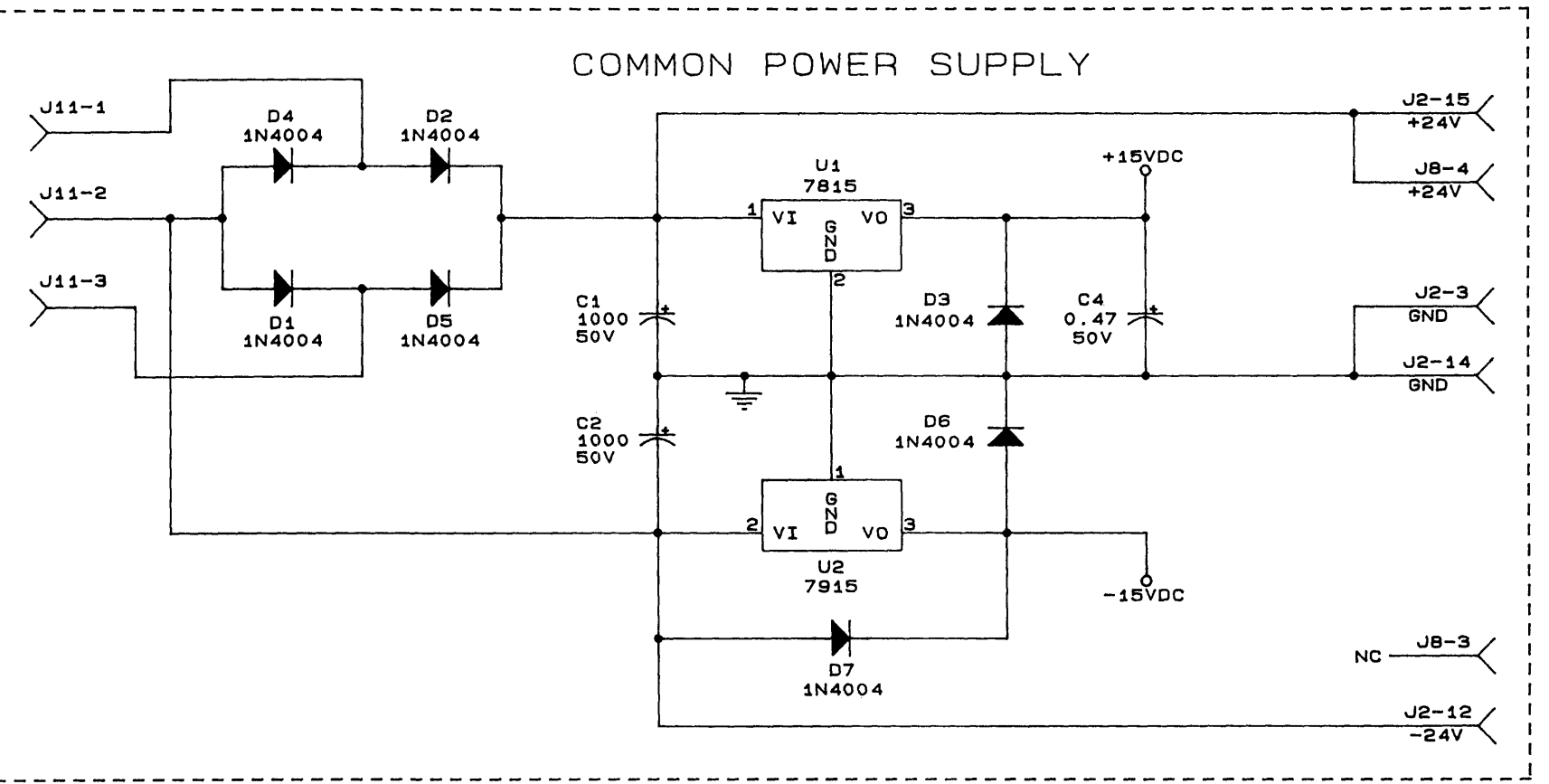
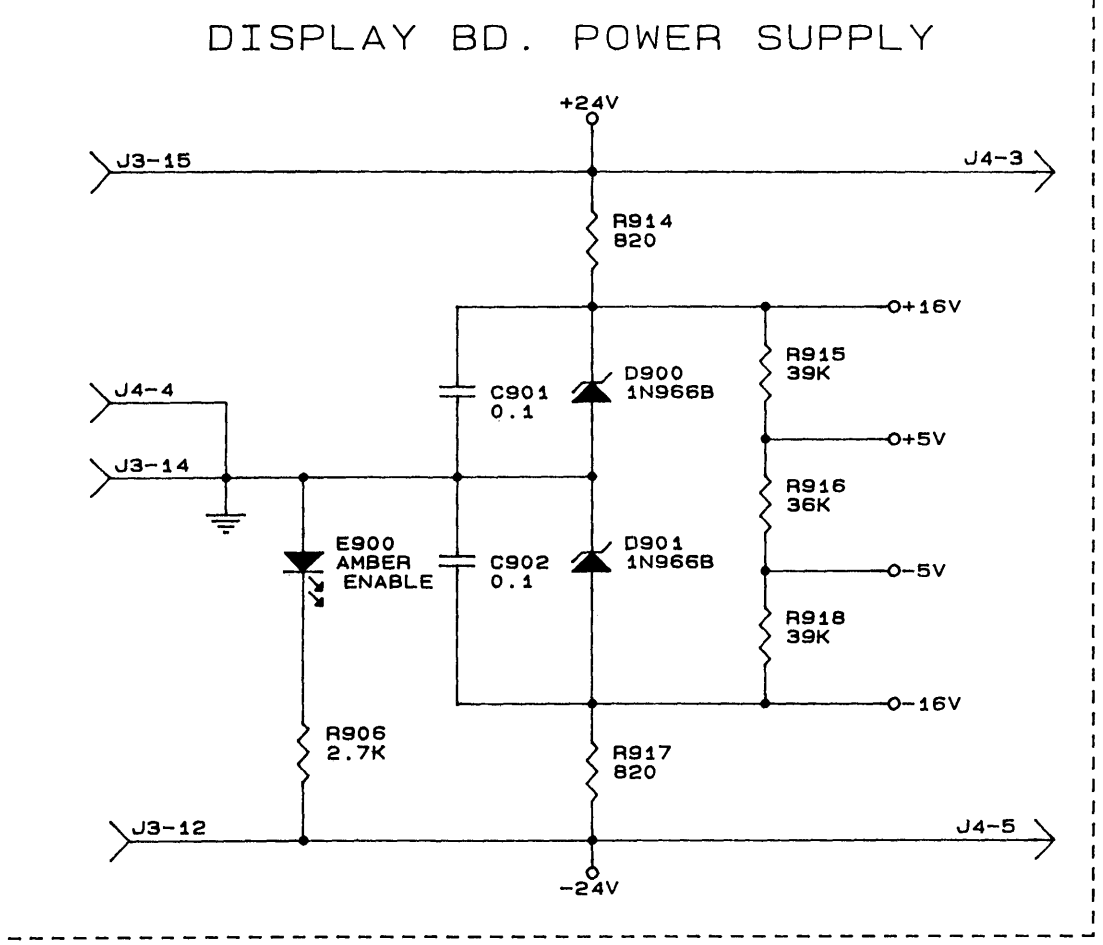
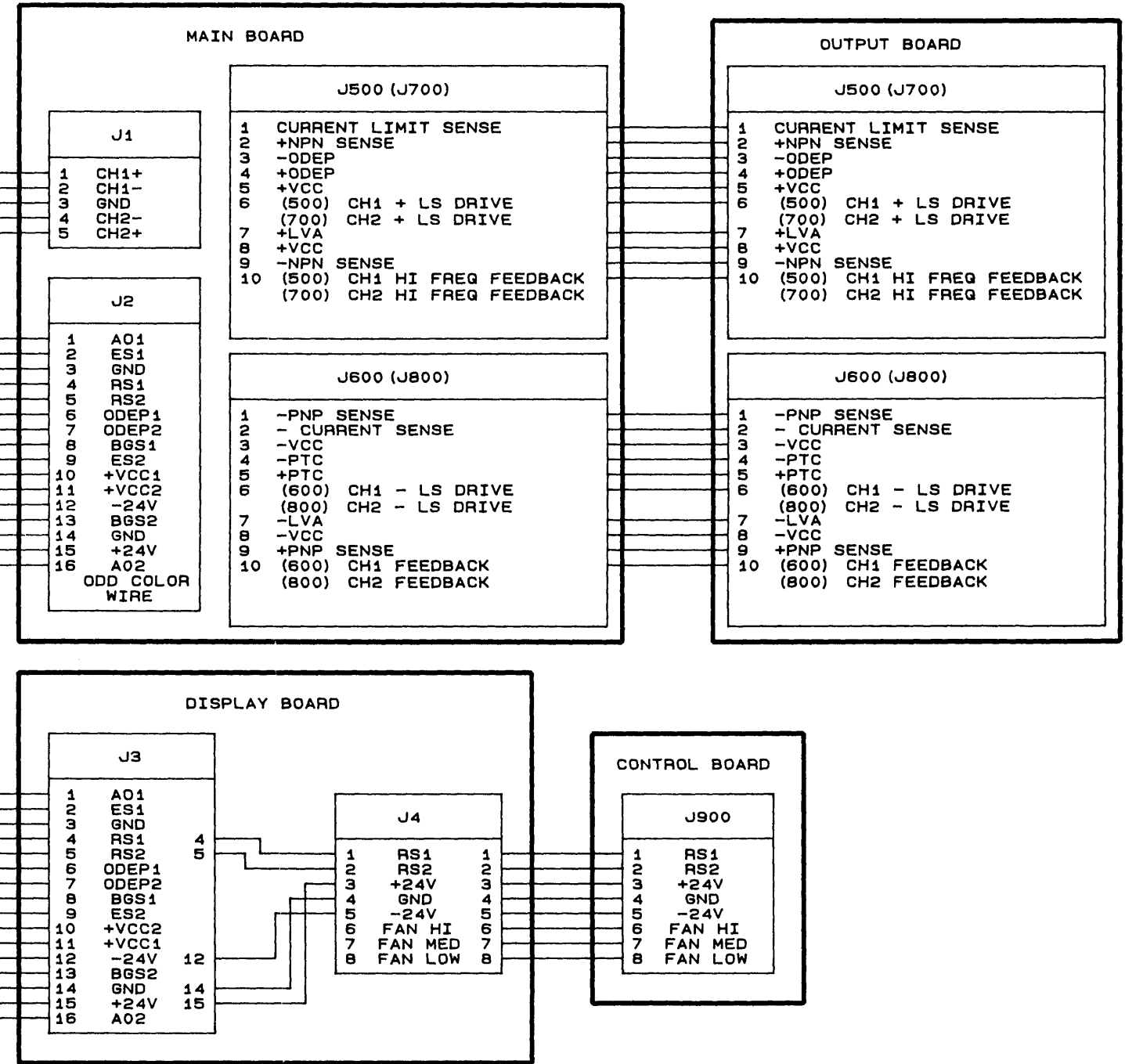
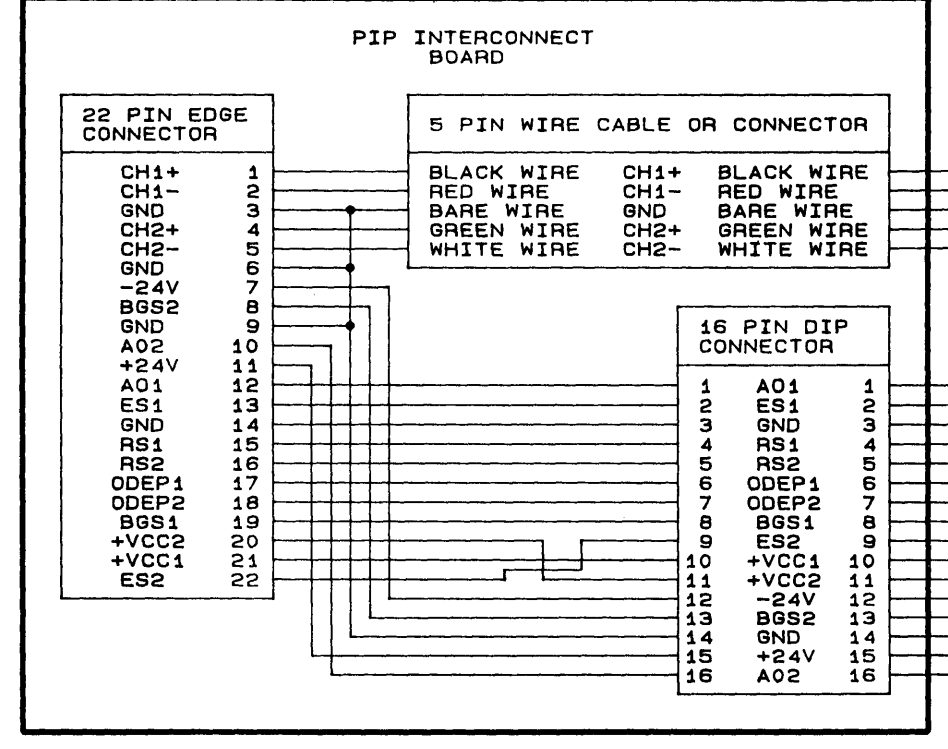
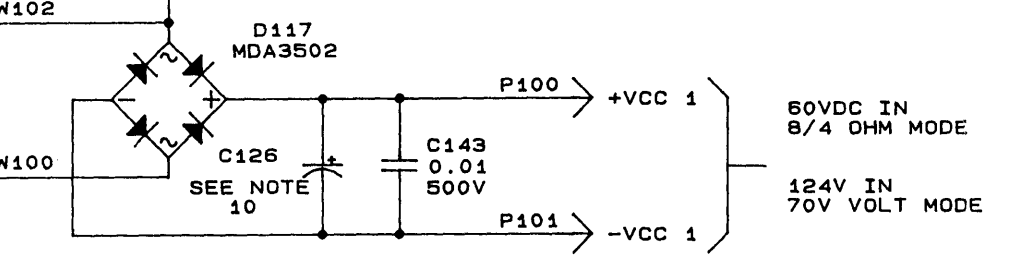




POWER CONTROL BOARD



SEE PAGE THREE FOR APPROPRIATE INPUT WIRING



CHANNEL 1

LAST USED	OBSOLETE
C157	C102, 121, 125, 127, 128, 131, 132, 142
C343	C300, 310-342
D132	D100-107, 116, 118, 119
D312	D300
L302	
N102	N100
PTC301	
Q124	Q04, 111, 114
Q319	Q300, 302, 304, 306, 308, 311, 313, 315
R199	R169, 172, 178
R340	R303, 305, 306, 308, 315, 317, 318, 320
	R331-334
R921	
S100	
U104	

COMMON

LAST USED	OBSOLETE
CB1	
C7	C1-6
C701	
C801	
C901	
D700	
D800	
D900	
K1	
M1	
Q701	
Q801	
Q902	
R18	R2, 3, 5, 6, 11-15
R701	
R801	
R905	
S4	S2
U700	
U800	
U902	U900

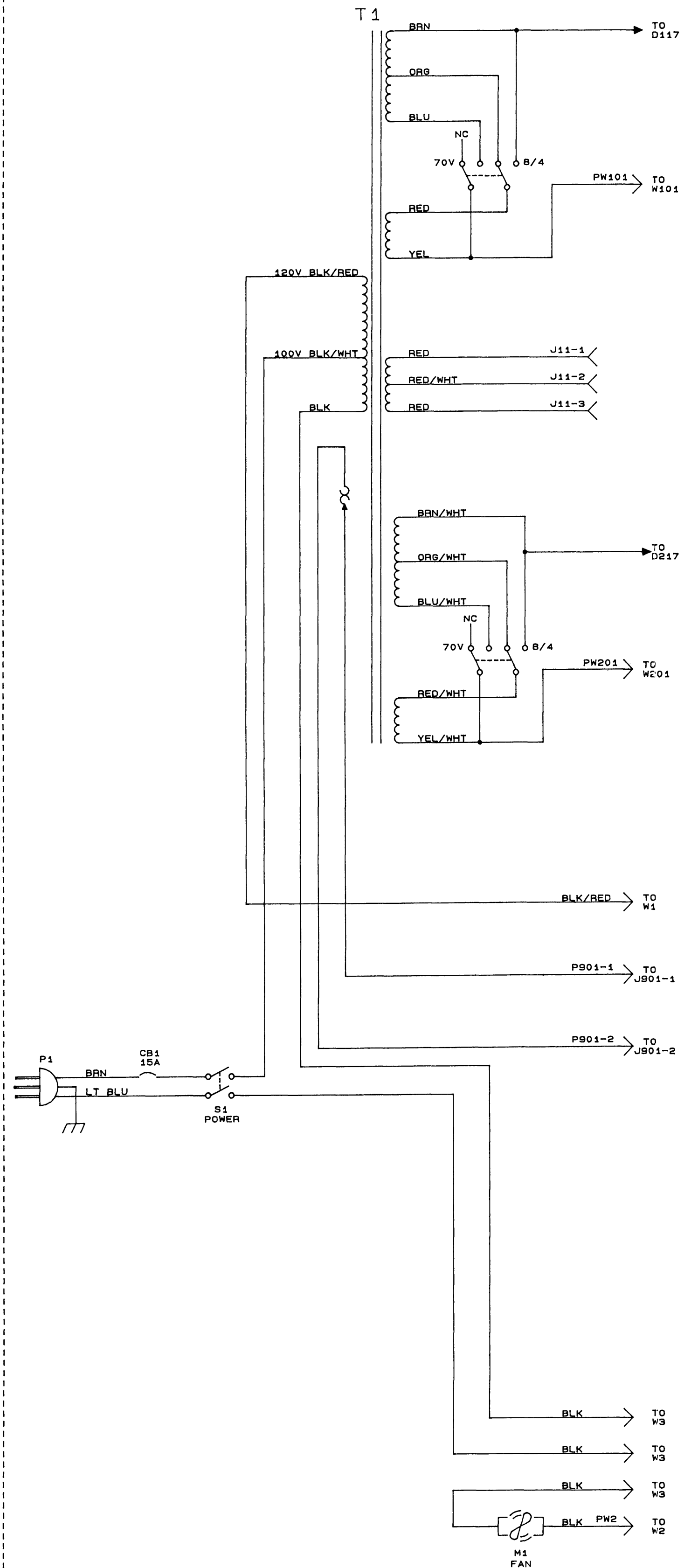
**INACTIVE**  
For Reference Use Only

CROWN INTERNATIONAL, INC.  
1718 WEST MISHAMAKA ROAD ELKHART, IN. 46517 PHONE (219) 294-8000

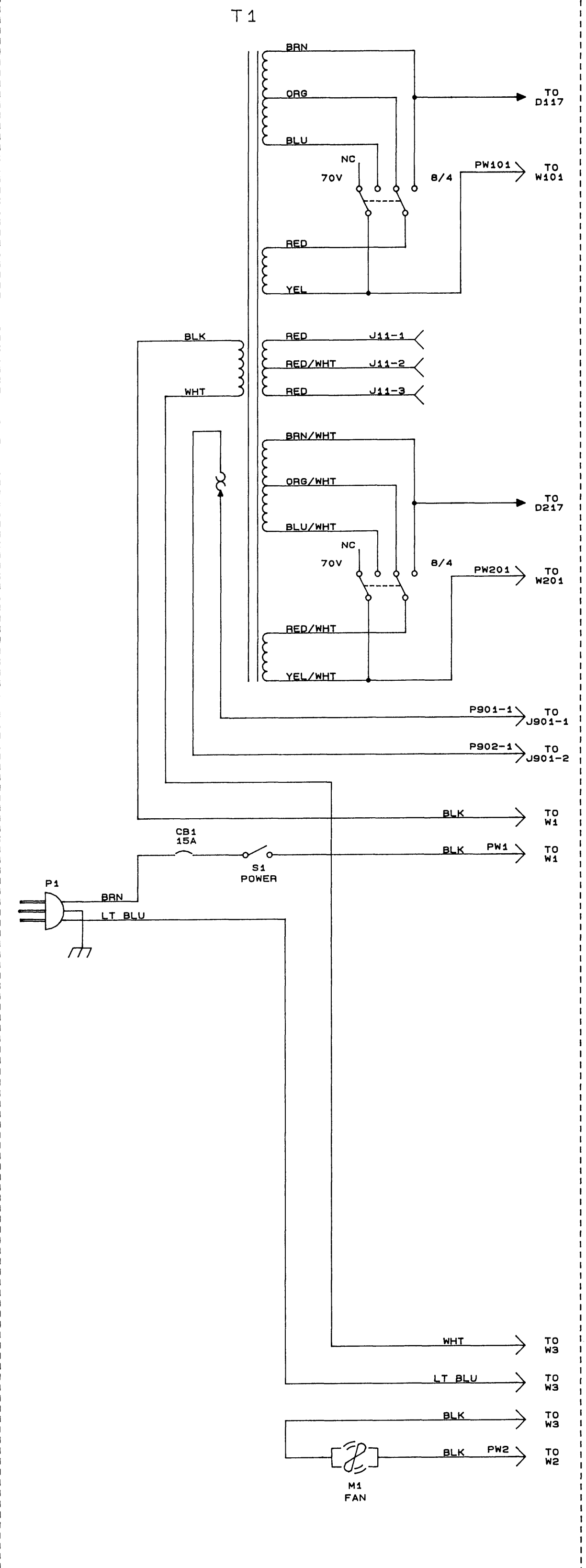
SCHMATIC; CT-400

PRINTS TO	SCALE	APPROVED BY :	DO NOT SCALE PRINT
G	NONE	ME	SUPERSEDES J0631-2 REV.B
DRAWN	EE	TS	E.C.N.
CHECKED	PE	TS	C.P.N.
PROJ #	D323	01/20/94	SH #2 OF 3
NEXT ASSEMBLY			J0631-2

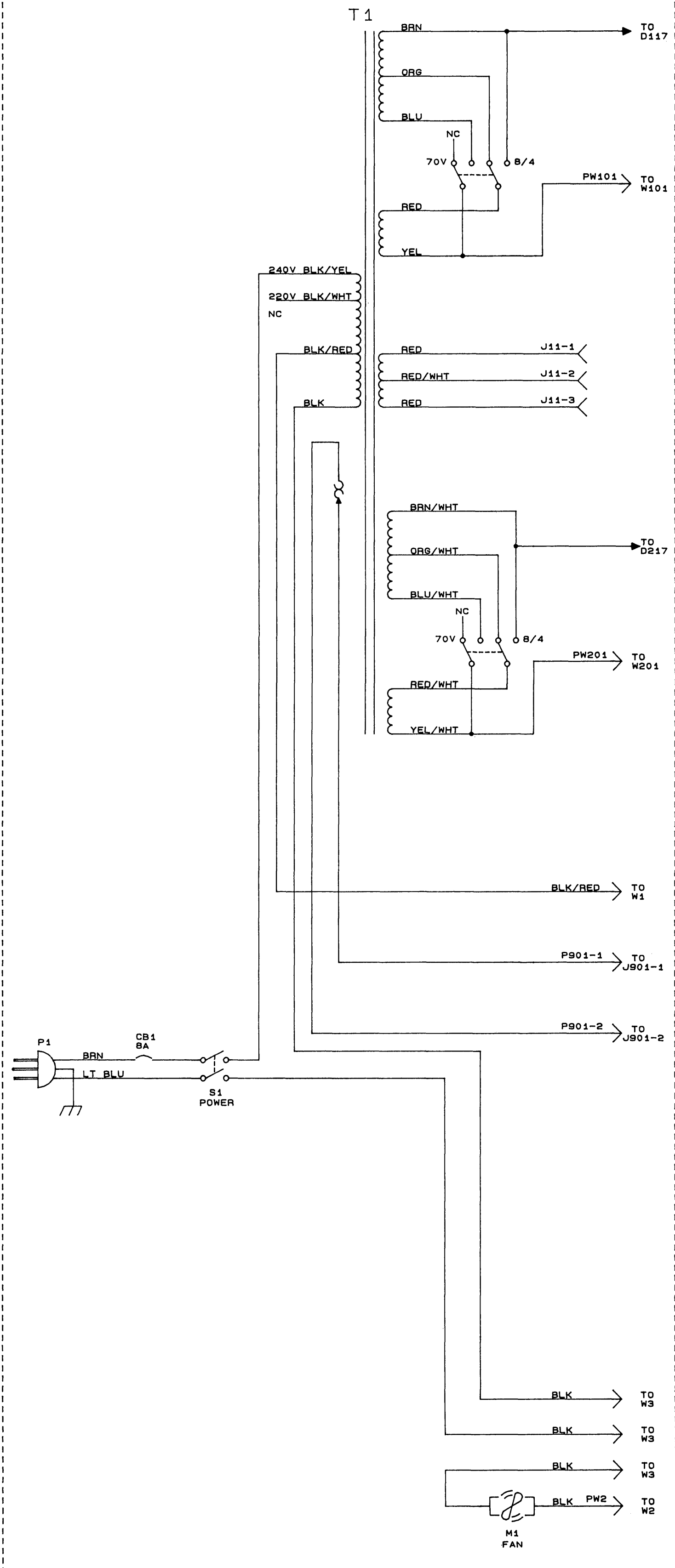
INTERNATIONAL 100V WIRING SHOWN



120V 60HZ



INTERNATIONAL 240V WIRING SHOWN



E.C.N.	ZONE	REV	DESCRIPTION	DATE	BY	APPROVALS
						CK HE EE PE
C5, C10, D7		A	CORRECT CIRCUIT BREAKER VALUES	02/01/94	LCD	TS
		B	REVISED CONTROL BD. "G" DOC. NUMBER.	05/02/94	TLM	TS
		C	INTERNATIONAL WAS EXPORT 120V 60HZ WAS NORTH AMERICA R145, 155, 245, 255 WERE 2, 2M	12/29/94	LCD	EE

- NOTES:
- ALL RESISTORS ARE IN OHMS, 1/4W, 5% UNLESS OTHERWISE SPECIFIED.
  - ALL CAPACITORS ARE IN MICROFARADS UNLESS OTHERWISE SPECIFIED.
  - CHANNEL 1 SHOWN. FOR CHANNEL 2 ADD 100 TO REFERENCE DESIGNATORS. (EXAMPLE: CHANNEL 1 R101 WOULD BE CHANNEL 2 R201.) CONNECTOR AND IC PIN NUMBERS FOR CHANNEL 2 ARE SHOWN IN PARENTHESIS WHEN THEY DIFFER FROM CHANNEL 1.
  - ALL DIODES ARE 1N4148 UNLESS OTHERWISE SPECIFIED.
  - ON J500 AND J700 THE STRIPED WIRE GOES TO PIN 10 OF THE BOARD AND THE PIN NUMBERS MOLDED ON THE CABLE SOCKET ARE REVERSED FROM THE PIN NUMBERS ON THE BOARD AND THE SCHEMATIC.
  - STANDARD UNIT HAS R10 OPEN. INSTALL JUMPER IN R10 TO DISABLE CHANNEL 2 SIGNAL INDICATOR LIGHT IN PARALLEL MONO MODE.
  - POWER SUPPLY VOLTAGES SHOWN UNDER NO LOAD CONDITION.
  - CHANNEL 2 PRE-DRIVER BASES LOOP THROUGH STEREO-MONO SWITCH S4, SECTIONS E AND F.
  - THIS SCHEMATIC REVISION APPLIES TO:
    - 120V 60HZ
    - CONTROL BOARD P10405-2 / Q43242-9 REV. A
    - MAIN BOARD D8369-7 / Q43298-7 REV. C
    - DISPLAY BOARD D7083-5 / Q42706-4
    - OUTPUT BOARD P10396-3 / Q43188-4
  - C126 AND C226 ARE:
    - 120V 60HZ INTERNATIONAL
    - 6300MF 200VDC 6300MF 135VDC

**INACTIVE**  
For Reference Use Only

**CROWN INTERNATIONAL, INC.**  
1718 WEST MISHAMAKA ROAD ELKHART, IN. 46517 PHONE (219) 294-8000

SCHEMATIC; CT-400

PRINTS TO	6	DRAWN	LCD	01/18/94	APPROVED BY :	DO NOT SCALE PRINT
		CHECKED			ME	SUPERSEDES J0631-2 REV. B
		SCALE	NONE		EE	E.C.N.
		PROJ #	D323	PE	TS	01/20/94
		NEXT ASSEMBLY				C.P.N. SH #3 OF 3
						J0631-2