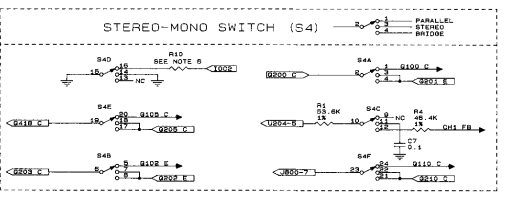


E.C.N.	ZONE	REV	DESCRIPTION	DATE	BY	CHK	APP
		01	87VDC IN 8/4 OHM MODE, 131VDC IN TO VOLT MODE	10-28-91	LCD		

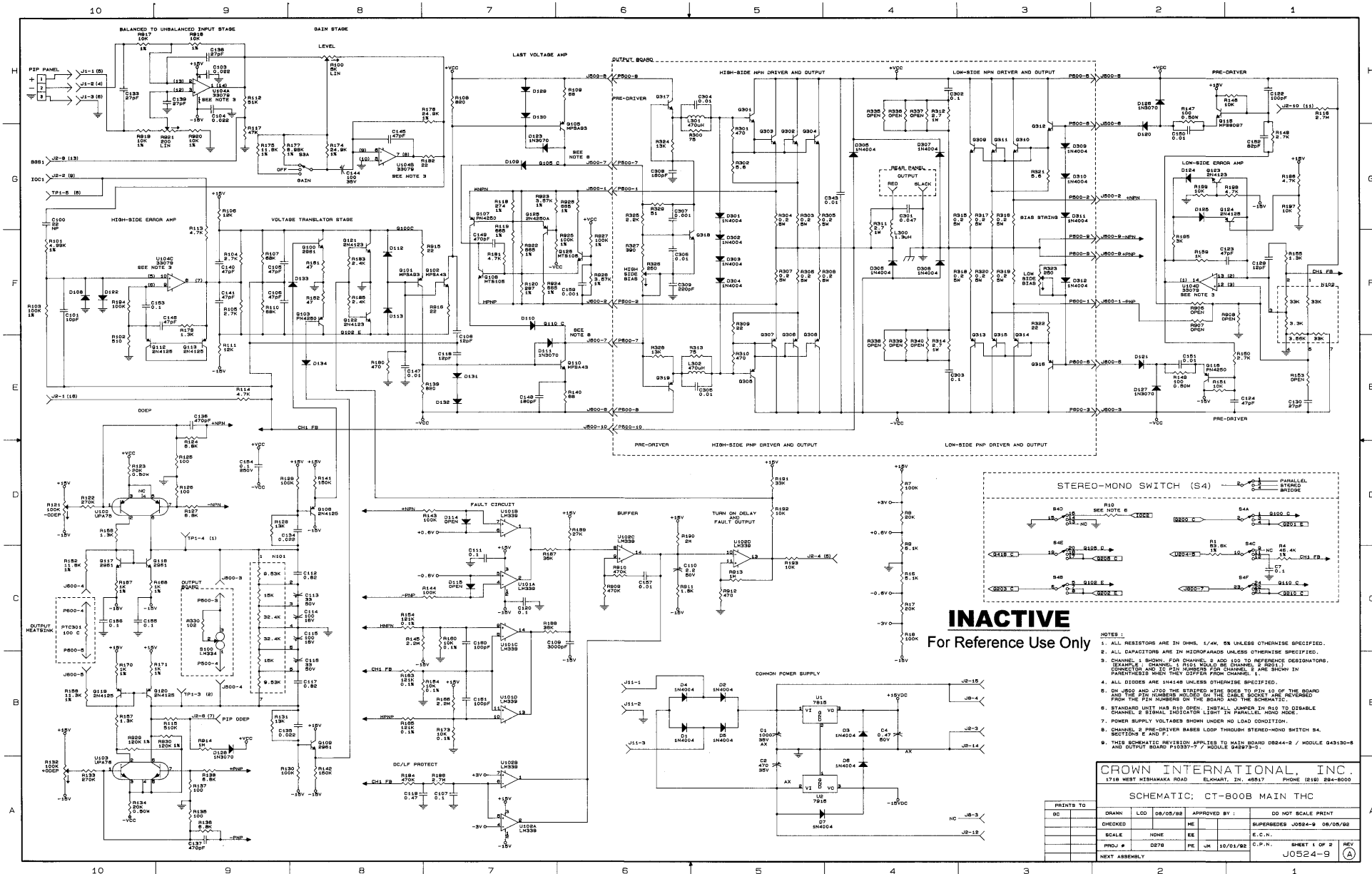


- NOTES:
1. ALL RESISTORS ARE IN OHMS, 1/4W, 5% UNLESS OTHERWISE SPECIFIED.
  2. ALL CAPACITORS ARE IN MICROFARADS UNLESS OTHERWISE SPECIFIED.
  3. CHANNEL 1 SHOWN FOR CHANNEL 2 AND 100 TO REFERENCE DESIGNATORS. (EXAMPLE: CHANNEL 1 R101 WOULD BE CHANNEL 2 R101.) CAPACITORS AND IC PIN NUMBERS FOR CHANNEL 2 ARE SHOWN IN PARENTHESES WHEN THEY DIFFER FROM CHANNEL 1.
  4. ALL IC'S ARE 18V/48 UNLESS OTHERWISE SPECIFIED.
  5. OH, 1000 AND 10000 THE STRIPED WIRE GOES TO PIN 10 OF THE BOARD AND THE PIN NUMBERS WELDED IN THE SAME ORDER AS REVERSED FROM THE PIN NUMBERS ON THE BOARD AND THE SCHEMATIC.
  6. STANDARD UNIT HAS R10 OPEN. INSTALL JUMPER IN R10 TO DISABLE CHANNEL 2 SIGNAL INDICATOR LIGHT IN PARALLEL MONO MODE.
  7. POWER SUPPLY VOLTAGES SHOWN UNDER NO LOAD CONDITION.
  8. CHANNEL 4 PRE-DRIVER BASES LOOP THROUGH STEREO-MONO SWITCH S4, SECTIONS E AND F.
  9. THIS SCHEMATIC APPLIES TO MAIN BOARD 17800-5.

**INACTIVE**  
For Reference Use Only

CROWN INTERNATIONAL, INC.			
1718 WEST HISHAMAKA ROAD ELKHART, IN. 46517 PHONE (317) 284-8000			
SCHEMATIC; CT-BOOB MAIN			
PRINTS TO	DATE	APPROVED BY	DO NOT SCALE PRINT
CHECKED	10-14-91	ME	SUPERSEDES
SCALE	NONE	EE	E.C.N.
PROJ #	0005	PE	EM 10-18-91
NEXT ASSEMBLY			C.P.N. SHEET 1 OF 2 REV
			JO4B1-2 (A)





**INACTIVE**  
For Reference Use Only

- NOTES:**
1. ALL RESISTORS ARE IN OHMS, 1/4W, 5% UNLESS OTHERWISE SPECIFIED.
  2. ALL CAPACITORS ARE 2% HIGH-FREQUENCY UNLESS OTHERWISE SPECIFIED.
  3. CHANNEL 1 SHOWN FOR CHANNEL 2. ADD 100 TO REFERENCE DESIGNATORS. (EXCEPT CHANNEL 1 SIGNALS WHICH ARE DUALS). SIGNALS ARE REVERSED CONNECTIONS AND IC PIN NUMBERS FOR CHANNEL 2 ARE SHOWN IN PARENTHESES WHEN THEY DIFFER FROM CHANNEL 1.
  4. ALL DIODES ARE 1N4148 UNLESS OTHERWISE SPECIFIED.
  5. ON J502 AND J503 THE STRIPPED WIRE SHOULD BE PIN 10 OF THE BOARD FROM THE PIN NUMBER NOTICING THE 1N4148 DIODES ARE REVERSED.
  6. STANDARD UNIT HAS R10 OPEN. INSTALL JUMPER IN R10 TO DISABLE CHANNEL 2 SIGNAL INDICATOR LIGHT IN PARALLEL MONO MODE.
  7. POWER SUPPLY VOLTAGES SHOWN UNDER NO LOAD CONDITION.
  8. CHANNEL 2 PRE-DRIVER BASES LOOP THROUGH STEREO-MONO SWITCH S4. SECTION 2 AND "C".
  9. THIS SCHEMATIC REVISION APPLIES TO MAIN BOARD DB844-2 / MODULE 049130-8 AND OUTPUT BOARD P1033-7 / MODULE 048973-0.

**CROWN INTERNATIONAL, INC.**  
1710 WEST BIRMHAMKA ROAD ELKHART, IN. 45917 PHONE (219) 294-8000

**SCHEMATIC: CT-800B MAIN THC**

PRINTS TO	DO NOT SCALE PRINT
DC	DRN/05/98
CHECKED	BY SUPERSEDES J0924-9 06/08/98
SCALE	NONE
PROJ #	0278
DATE	10/01/92
REV	SHEET 1 OF 2
NEXT ASSEMBLY	J0524-9

10

9

8

7

6

5

4

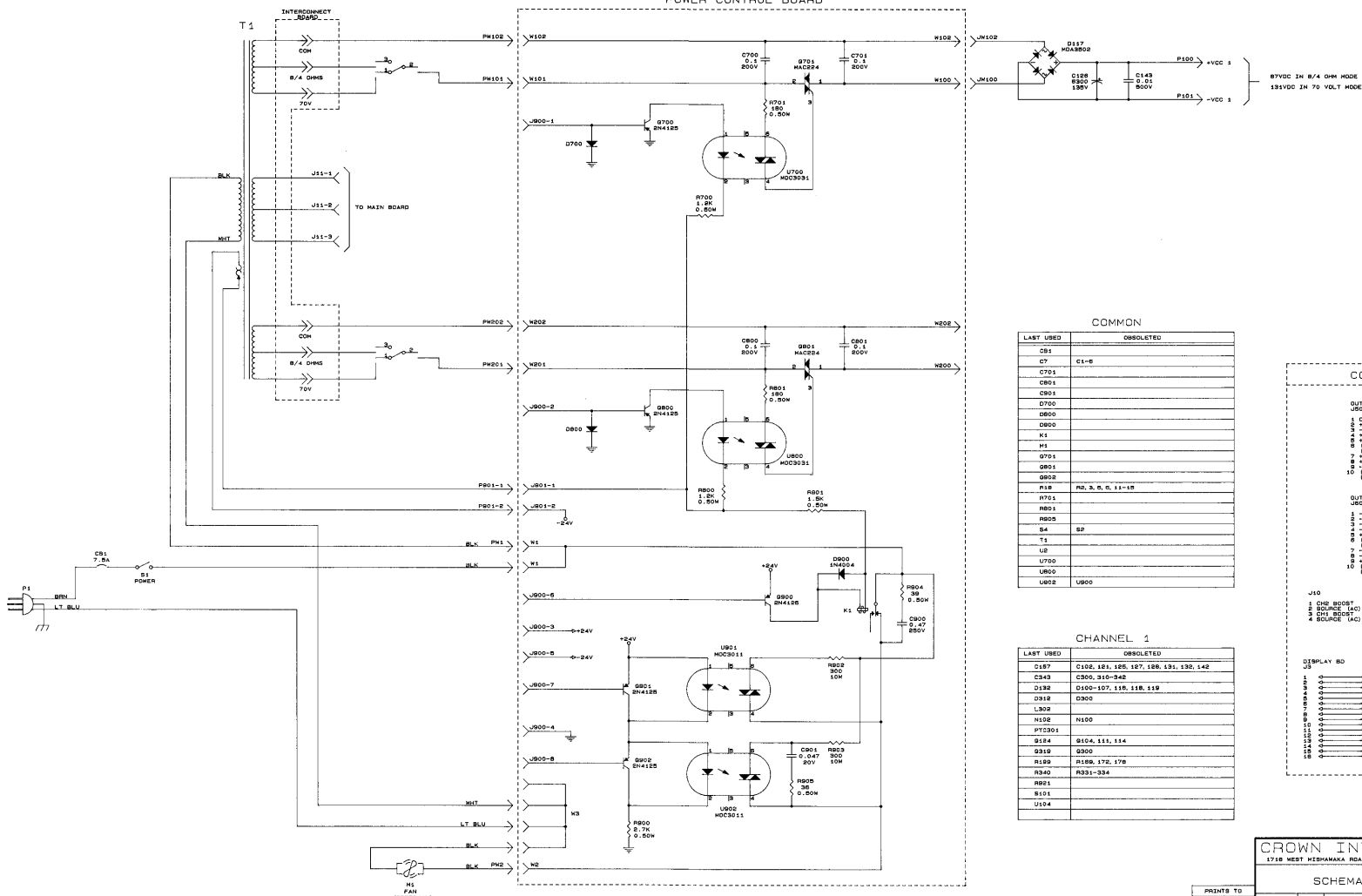
3

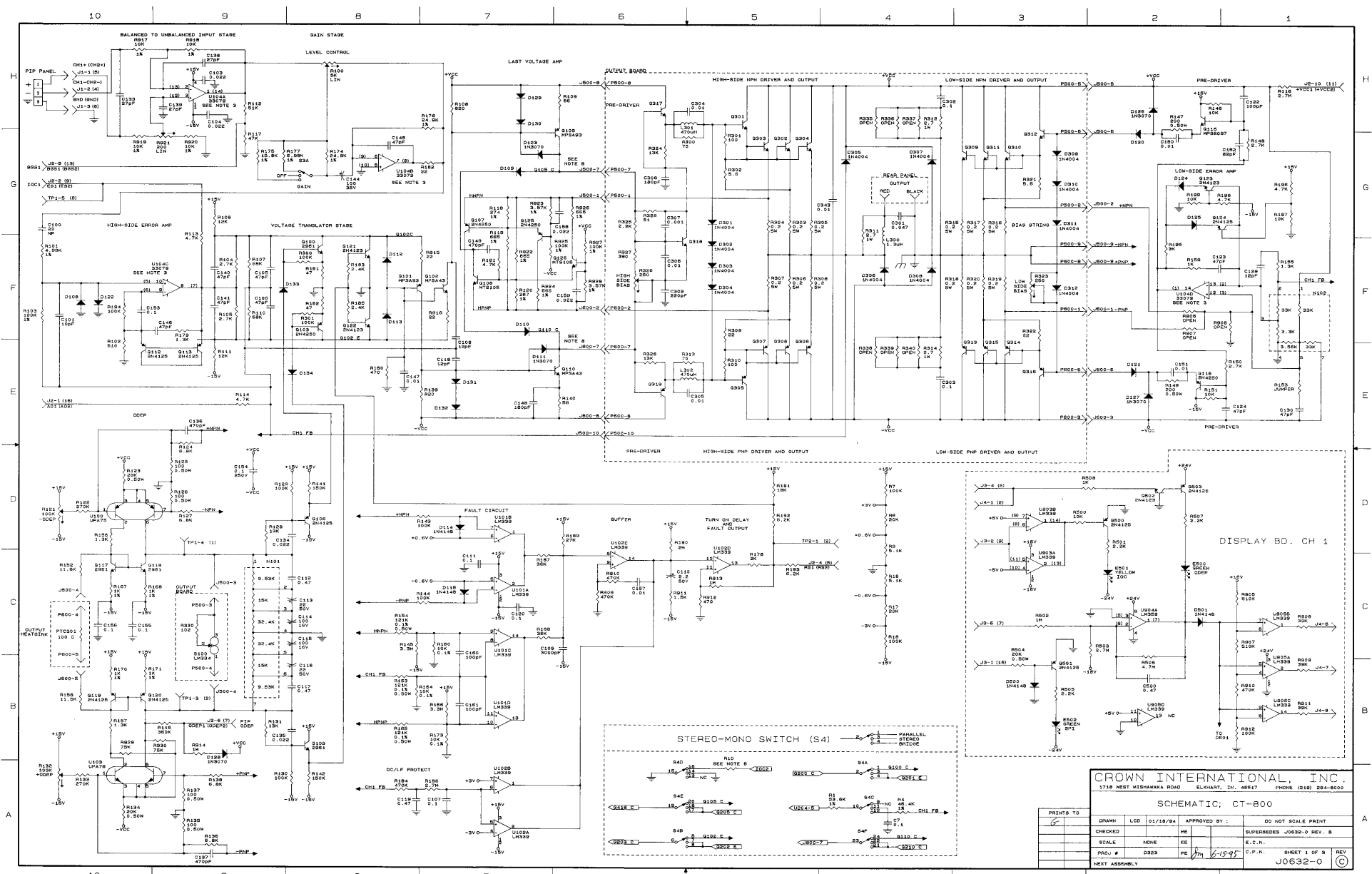
2

1

E.C.N.	ZONE	REV	DESCRIPTION	DATE	BY	APPROVED
FR 08			ADD R802-R808 AND Q102, L102			
FT 07			ADD R1028-R1030 AND Q202, R202			
EA 04			R312, 314, 412, 414 WERE IS			
EA 04			C202, 302, 402, 403 WERE 0.22			
BT 07			ADD C180, 181, 280, 281			
EB 04			D132, 134, 232, 234			
EB 04			R828, 830, 1028, 1030	11/20/92	LOD	
FR 08			ADD C192, 282			

POWER CONTROL BOARD





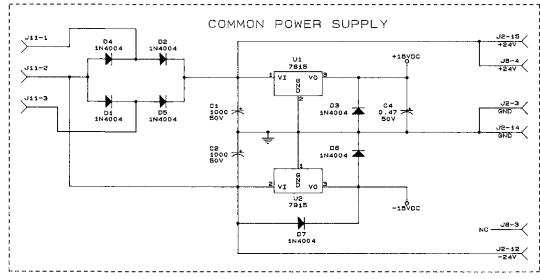
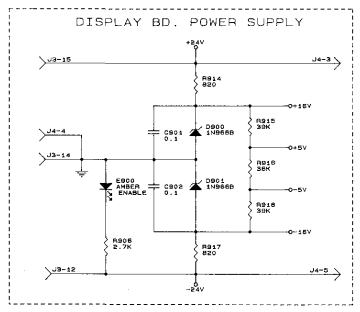
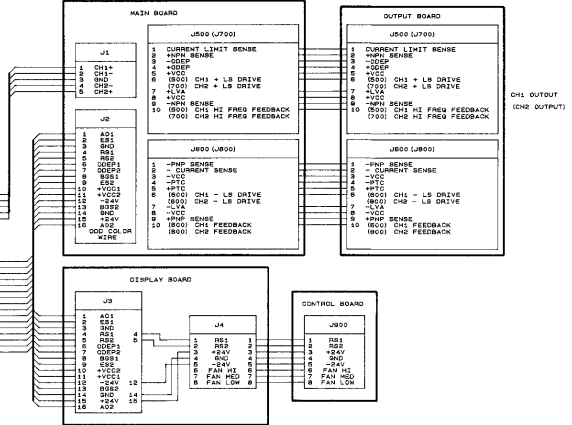
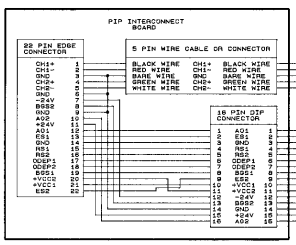
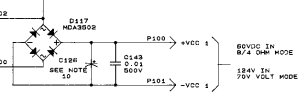
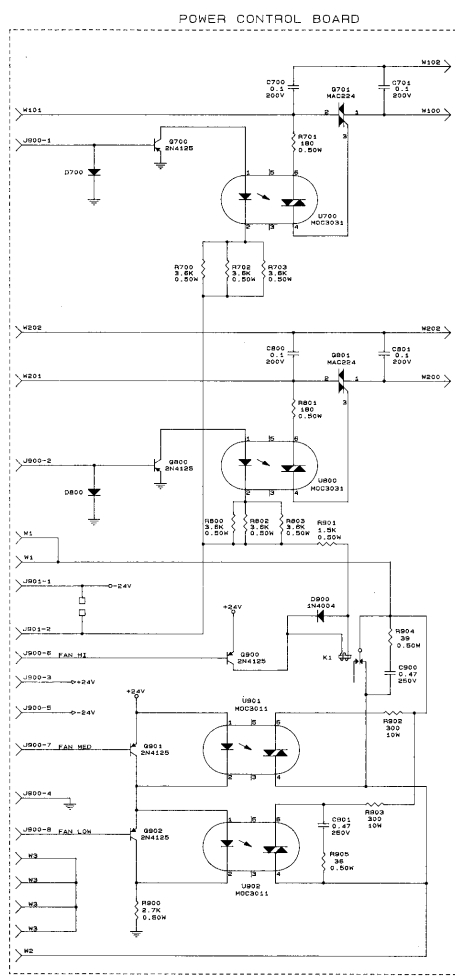
**CROWN INTERNATIONAL, INC.**  
 5718 WEST WISHAMAKA ROAD ELKHART, IN. 46517 PHONE (219) 294-8000

**SCHEMATIC: CT-800**

PRINTS TO	DRM	LCI	5/18/74	APPROVED BY:	DO NOT SCALE PRINT
CHECKED	MC			EXPANDED J0632-0 REV. B	
SCALE	NONE	EE		E.C.N.	
PANEL #	D324	PC	6/15/75	C.P.N.	SHEET 1 OF 3 REV
NEXT ASSEMBLY					J0632-0

H  
G  
F  
E  
D  
C  
B  
A

H  
G  
F  
E  
D  
C  
B  
A



**CHANNEL 1**

LAST USED	ORSOLETED
C107	C100, 171, 125, 127, 128, 131, 132, 143
C249	C300, 302, 348
D130	D100-107, 118, 119, 119
L302	D300
H100	H100
PTC301	
D124	D04, 111, 114
Q319	Q200, 300, 304, 306, 308, 311, 313, 315
H109	H109, 172, 178
R340	R303, 305, 308, 309, 310, 317, 318, 320
	R331-334
R921	
B100	
U104	

**COMMON**

LAST USED	ORSOLETED
C81	
C71	C1-6
C815	
C801	
C700	
DR00	
Q900	
K1	
M1	
Q701	
Q801	
Q900	
R15	R2, 3, 5, 6, 11-15
R701	
R801	
R805	
S4	S2
U700	
UR00	
UR02	UR00

SEE PAGE THREE FOR APPROPRIATE INPUT WIRING

**CROWN INTERNATIONAL, INC.**  
 1718 WEST WISHAWAKA ROAD ELKHART, IN. 45917 PHONE (219) 324-8000

**SCHEMATIC: CT-800**

PRINTED TO	DRAWN	LED	01/18/94	APPROVED BY	DO NOT SCALE PRINT
CHECKED	HE	EH		SUPERSEDES J0632-0 REV. B	
SCALE	NONE	EH		E.C.N.	
PROJ #	D323	PE		C.P.N.	SH #2 OF 3
NEXT ASSEMBLY					J0632-0