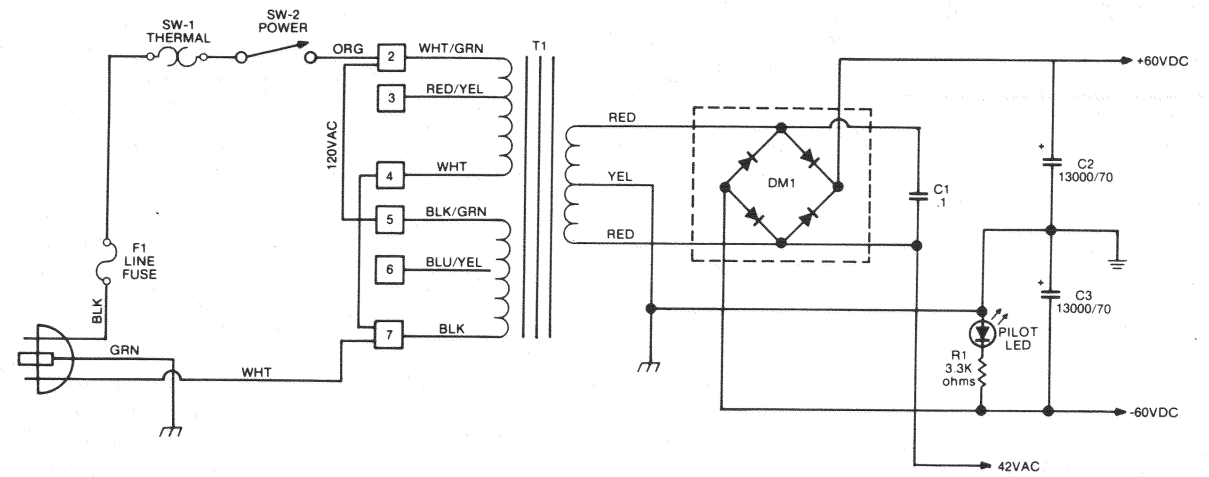


## DC300A SERIES II POWER AMPLIFIER MI 250D



**NOTES:**

- THIS IS A REPRESENTATIVE SCHEMATIC ONLY AND DOES NOT NECESSARILY REFLECT THE EXACT CIRCUITRY OF YOUR UNIT. REFER TO SERVICE MANUAL FOR FURTHER TECHNICAL INFORMATION.
- THIS SCHEMATIC APPLIES TO AMPLIFIERS NUMBERED 71024 AND ABOVE.
- CIRCUIT SHOWN APPLIES TO PC BOARDS #9785 (MAIN BOARD) AND #9794 (IOC BOARD).
- DC VOLTAGES ARE SHOWN FOR VARIOUS POINTS. THESE ARE NORMAL OPERATING VOLTAGES FOR ZERO INPUT.
- THE HEAVY CONTINUOUS TRACE FOLLOWS THE PRIMARY SIGNAL PATH THROUGH THE CIRCUIT. THE HEAVY BROKEN TRACE SHOWS FEEDBACK PATHS.

- WIRE COLOR CODES ARE GIVEN FOR THE MAIN POWER SUPPLY AND SOME BOARD WIRES.
- ALL RESISTORS IN OHMS UNLESS OTHERWISE STATED.
- ALL CAPACITORS IN MICRO-FARADS UNLESS OTHERWISE STATED.
- COMPONENTS COMMON TO BOTH CHANNELS ARE NUMBERED FROM 1 TO 99.
- CHANNEL ONE COMPONENTS ARE NUMBERED FROM 100 TO 199.
- CHANNEL TWO COMPONENTS ARE NUMBERED FROM 200 TO 299.
- R107, R207 ARE OMITTED IF IC-1 IS  $\mu$ A739, 3.3K IF IC-1 IS  $\mu$ A749.