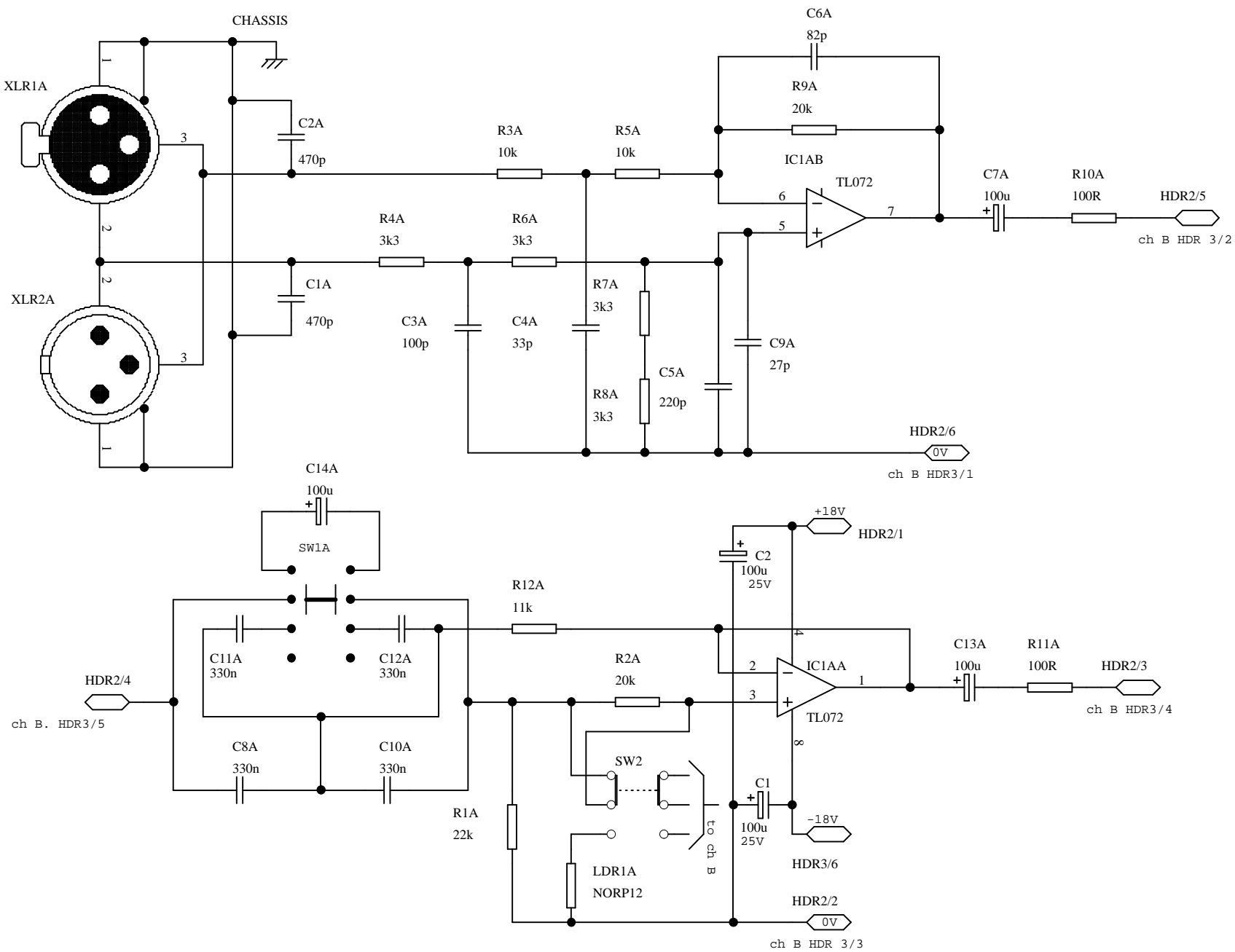


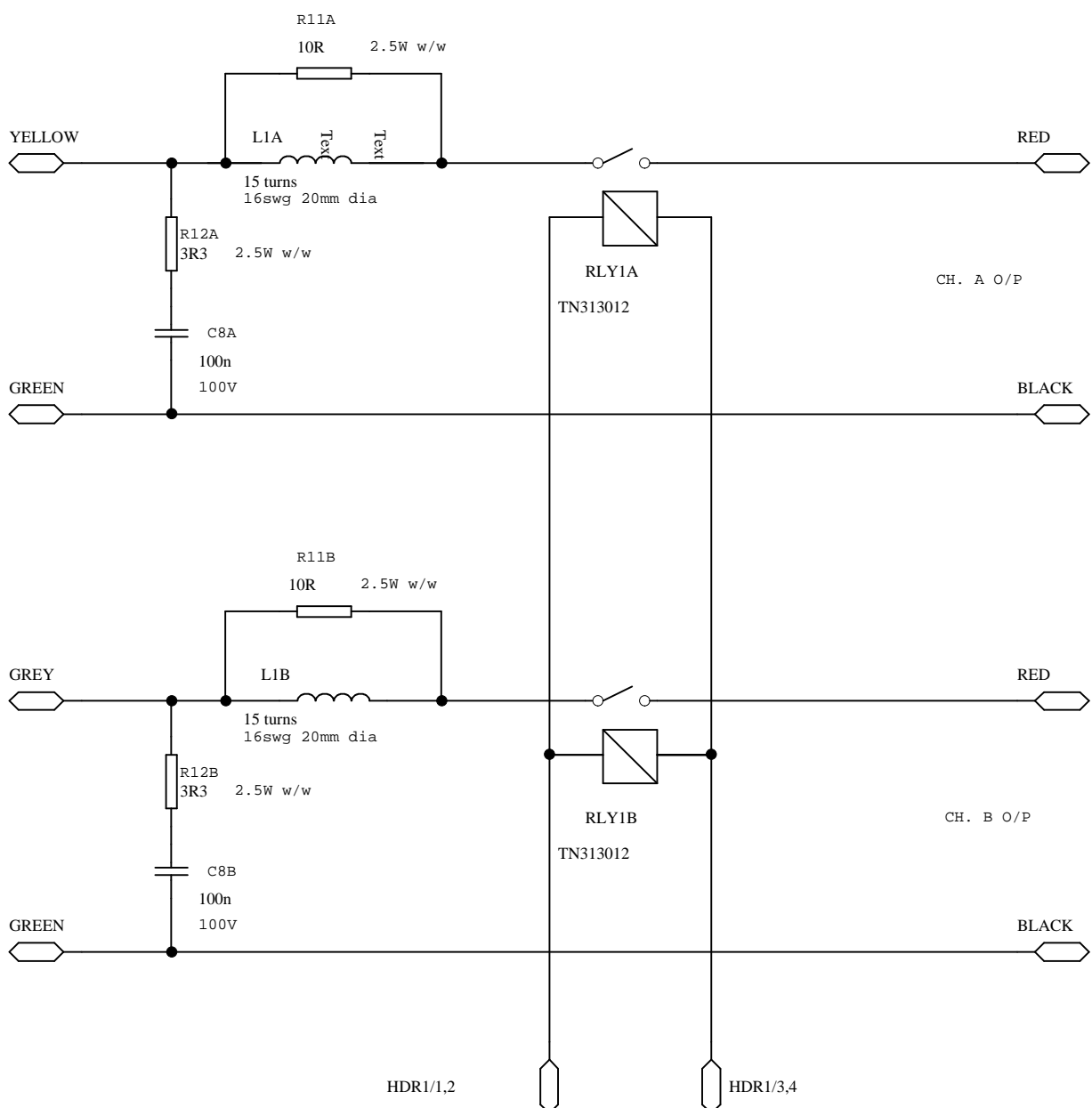
Input Board C1073-6

Channel A only shown

Channel B is same except component Identifiers have 'B' suffix
All resistors are 1/4 W m/f



Output Board C1072-6



Crown Audio
1718 W. Mishawaka Rd.
Elkhart, IN 46517
574-294-8000
www.crownaudio.com

XLS602, XLS402, XLS202

Size	A3	FCSM No.		DWG No.	inp board C1073-6	Rev	1
Scale					op board C1072-6	Sheet	0 of 0